

Model JS9110 Hillco Leveling System
For Serial Numbers JS9110-25001 thru JS9110-25999



Model JS9110 Sidehill Leveling System Parts Manual

SN JS9110-25001 thru JS9110-25999
For John Deere S7 800 & S7 900
S Series Combines

D-251017DMC01



JS9110 Sidehill Leveling System

For S7 800 & 900 S-Series Combines

Table of Contents

| | |
|--|-----------|
| General Information | 3 |
| Serial Number Location | 3 |
| Text and Illustrations | 3 |
| Abbreviations | 3 |
| Right and left Identification | 3 |
| Part Orders | 3 |
| Transition | 4 |
| Tilt Sensor | 5 |
| Feeder Drum Arms and Chain Extensions | 6 |
| Transition Throat | 8 |
| Transition Throat - Hydraulic Fore/Aft | 10 |
| Transition Header Adapter | 12 |
| Transition Header Adapter - Hydraulic Fore/Aft | 14 |
| Carriage | 16 |
| Overcarriage | 17 |
| Undercarriage | 19 |
| Carriage Misc. Parts | 21 |
| Carriage Position Sensor | 23 |
| Drop Axle | 25 |
| Hydraulic Components | 26 |
| Leveling Manifold | 27 |
| Header Trim Manifold | 29 |
| John Deere Header Lift Manifold | 31 |
| Hydraulic Hoses | 32 |
| Ladder | 33 |
| Electrical | 36 |
| Controller | 36 |
| Wiring Harnesses | 37 |
| Monitor | 38 |
| Decals and Literature | 39 |

Contact Information

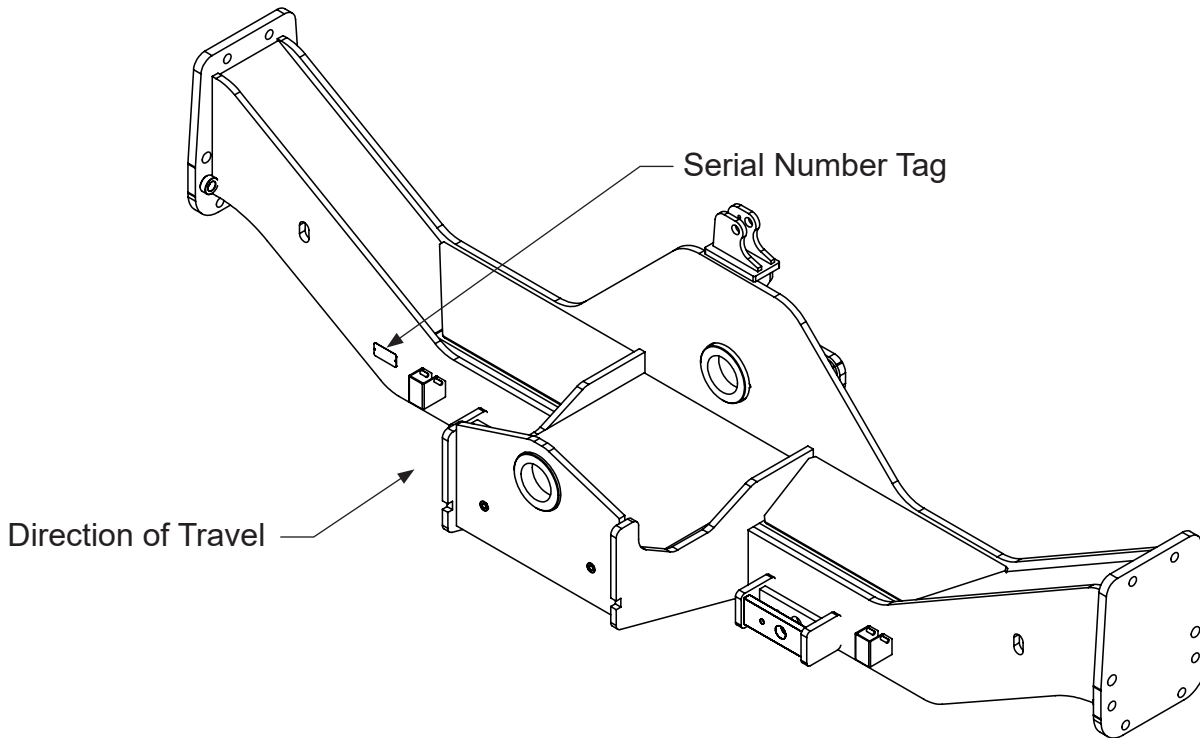
Hillco Technologies, Inc.
107 1st Avenue
Nezperce, Idaho 83543

| | |
|-------|--------------|
| Phone | 800-937-2461 |
| | 208-937-2461 |
| Fax | 208-937-2280 |

www.hillcotechnologies.com
email: support@hillcotechnologies.com

GENERAL INFORMATION

SERIAL NUMBER LOCATION



TEXT AND ILLUSTRATIONS

The arrangement of this parts catalog is for easy identification of parts. All parts are illustrated in exploded views in proper relation to each other. Some diagrams refer to other pages for further information. Reference numbers used in the illustrations refer to line numbers in the part lists. The part lists appear to the right or below all diagrams and correspond with those diagrams. Included in the part lists, along with the reference numbers are part numbers, part descriptions and the quantity of the part required per leveling system.

ABBREVIATIONS

SN "Serial Number" refers to the serial number given to each leveling system (by Hillco Technologies), as well as the serial number given to the combine (by the specific combine manufacturer) the leveling system is installed. See above for the leveling system's serial number location. This abbreviation is used interchangeably in both instances. Each Model JS9110 Leveling System uses the following serial number format: JS9110-XXXXX (sequential numbers).

ASM "Assembly" refers to a whole grouping of parts (shown in the diagram corresponding with the page where "ASM" is shown unless otherwise noted). Some assemblies have parts that are sold separately, however some must be purchased as a single unit. Hillco Product Specialists will be able to assist you with any questions.

NS "Not Shown" refers to a part that is not depicted in the illustration.

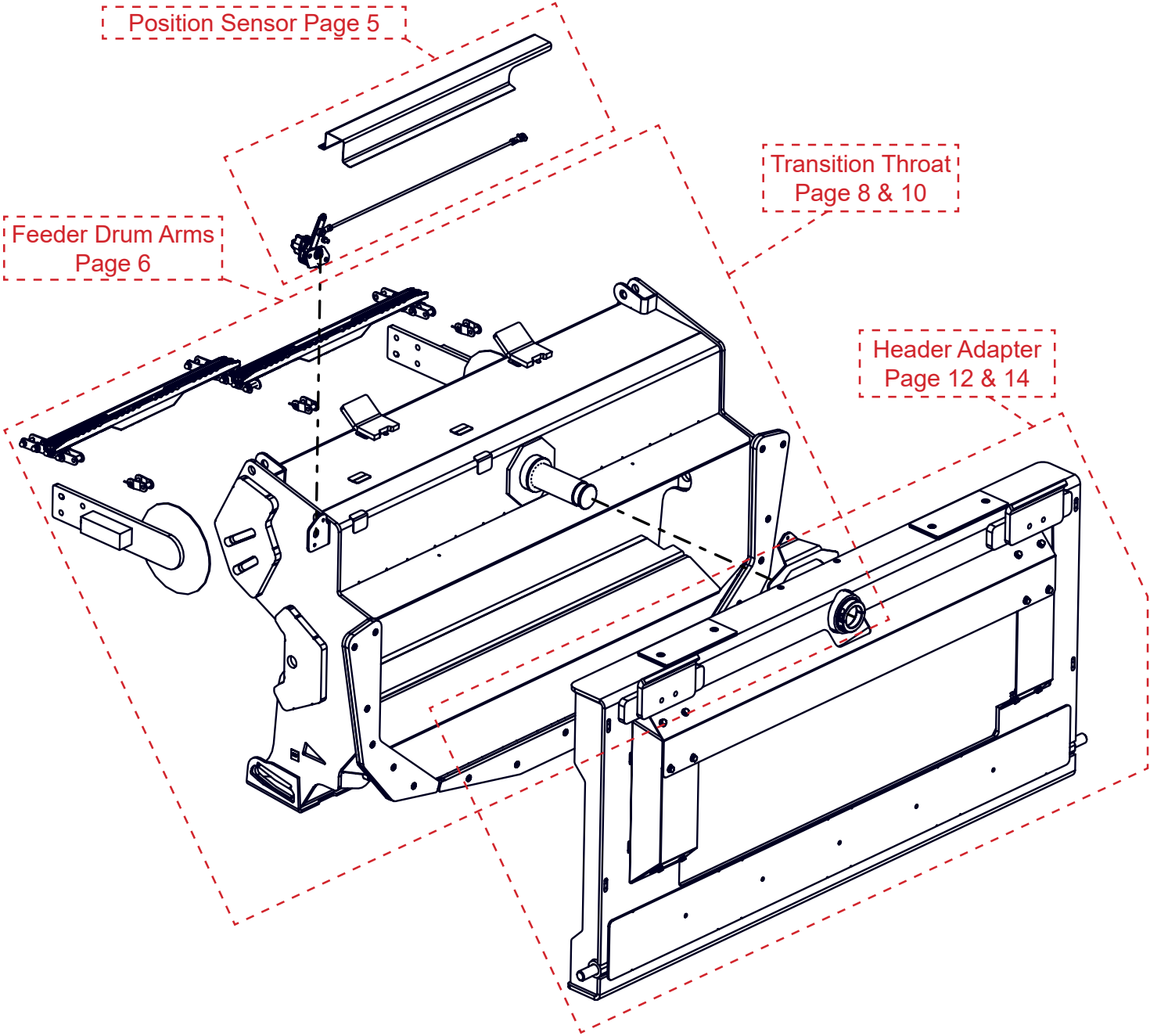
RIGHT AND LEFT IDENTIFICATION

The reference to right-hand and left-hand in this catalog is identified by the operator sitting in the operator's seat, looking toward the front of the machine (in normal forward travel).

PART ORDERS

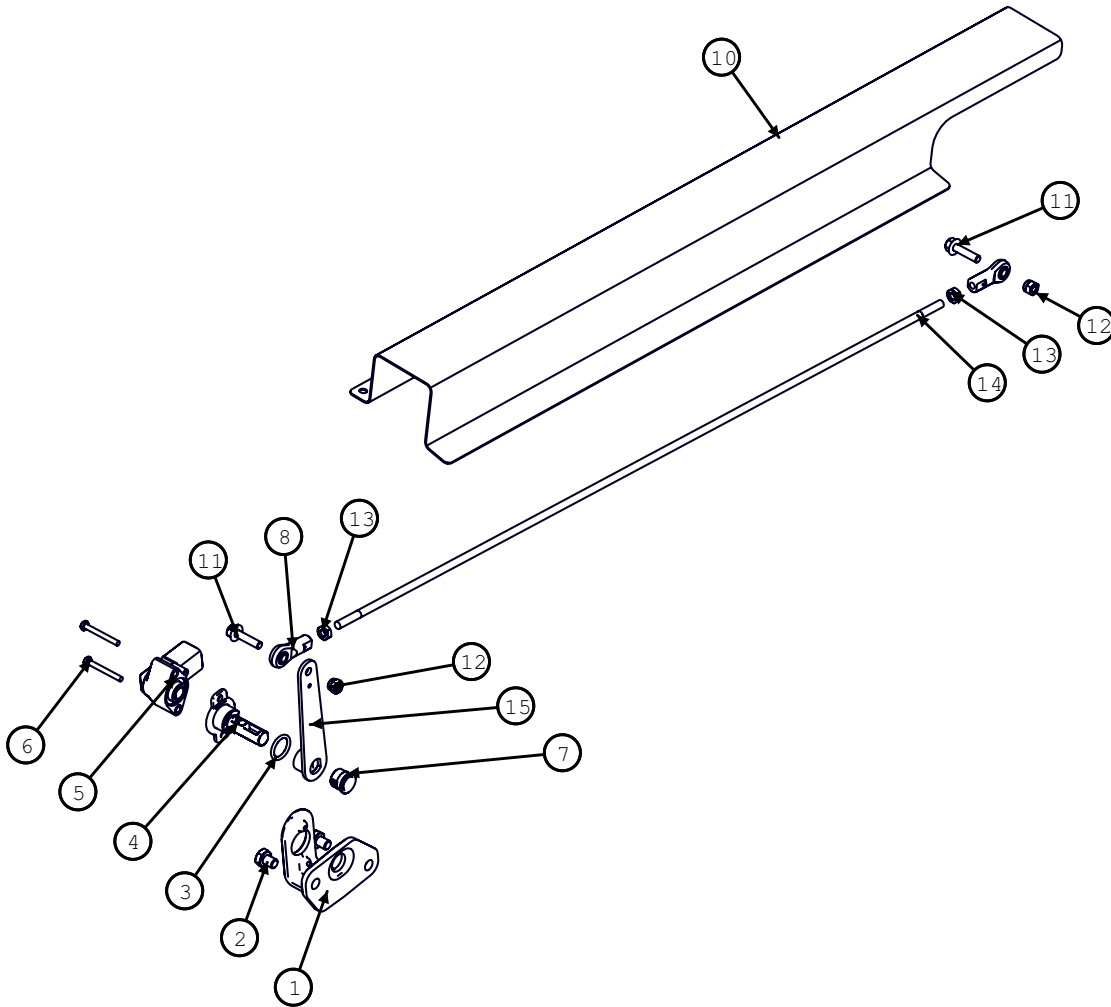
Orders must specify product model, serial number, correct part number, complete description, quantity required, method of shipment, shipping address, and billing address.

TRANSITION



Model JS9110 Hillco Leveling System
 For Serial Numbers JS9110-25001 thru JS9110-25999

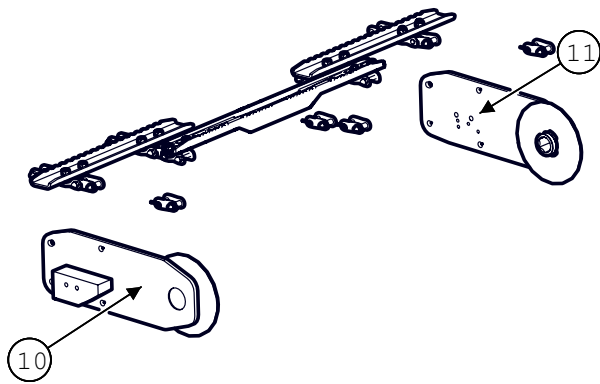
TRANSITION TILT SENSOR



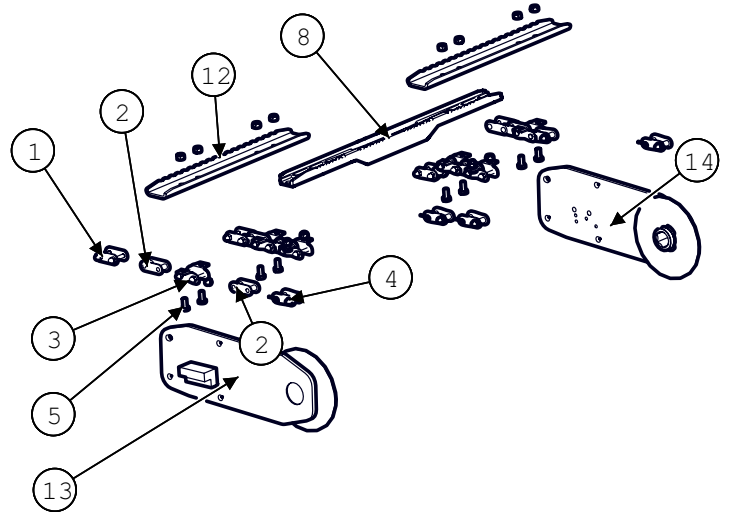
| TRANSITION POSITION SENSOR | | | |
|----------------------------|-------------|-----|-------------------------|
| BOM ID | Part No. | Qty | Description |
| 1 | 151321 | 1 | BRACKET, SENSOR |
| 2 | 122.008.020 | 2 | BOLT,HX,CL8.8 M8X20 |
| 3 | 151391 | 1 | O-RING, 11/16 ID |
| 4 | 151401 | 1 | SENSOR SHAFT, |
| 5 | 151381 | 1 | SENSOR, ROTATION, |
| 6 | 170.004.035 | 2 | BOLT, HX,CL8.8 |
| 7 | 151361 | 1 | BUSHING, |
| 8 | 151881 | 2 | ROD END, BALL JOINT, |
| 9 | 201.006.036 | 1 | PIN,ROLL M6X36 |
| 10 | 1295541 | 1 | SENSOR LINKAGE SHIELD |
| 11 | 122.006.025 | 2 | BOLT,HX,FL,CL10.9 M6X25 |
| 12 | 191.006 | 2 | NUT,HX,NYL,CL8 M6 |
| 13 | 184.004 | 2 | NUT,HX,JAM,GR5 1/4-28 |
| 14 | 1295502 | 1 | SENSOR ROD |
| 15 | 151371 | 1 | ARM, TILT SENSOR |

Feeder Drum Arms and Chain Extensions

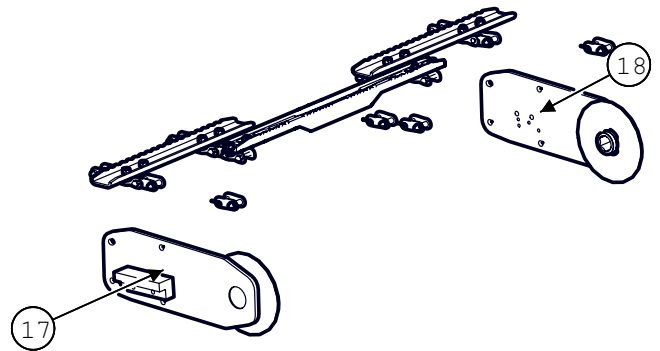
8" Drum, Limited Travel



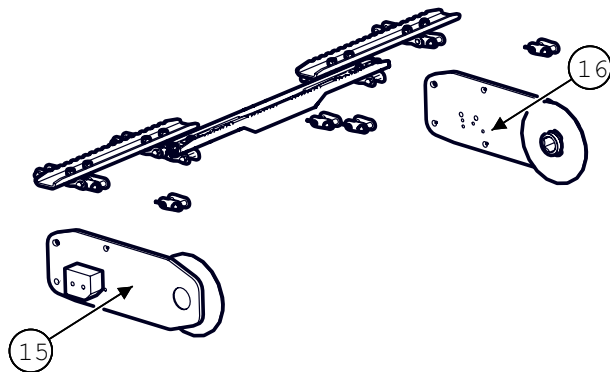
8" Drum, Full Travel, Hydraulic Fore/Aft



8" Drum, Full Travel



8" Drum, Limited Travel, Hydraulic Fore/Aft

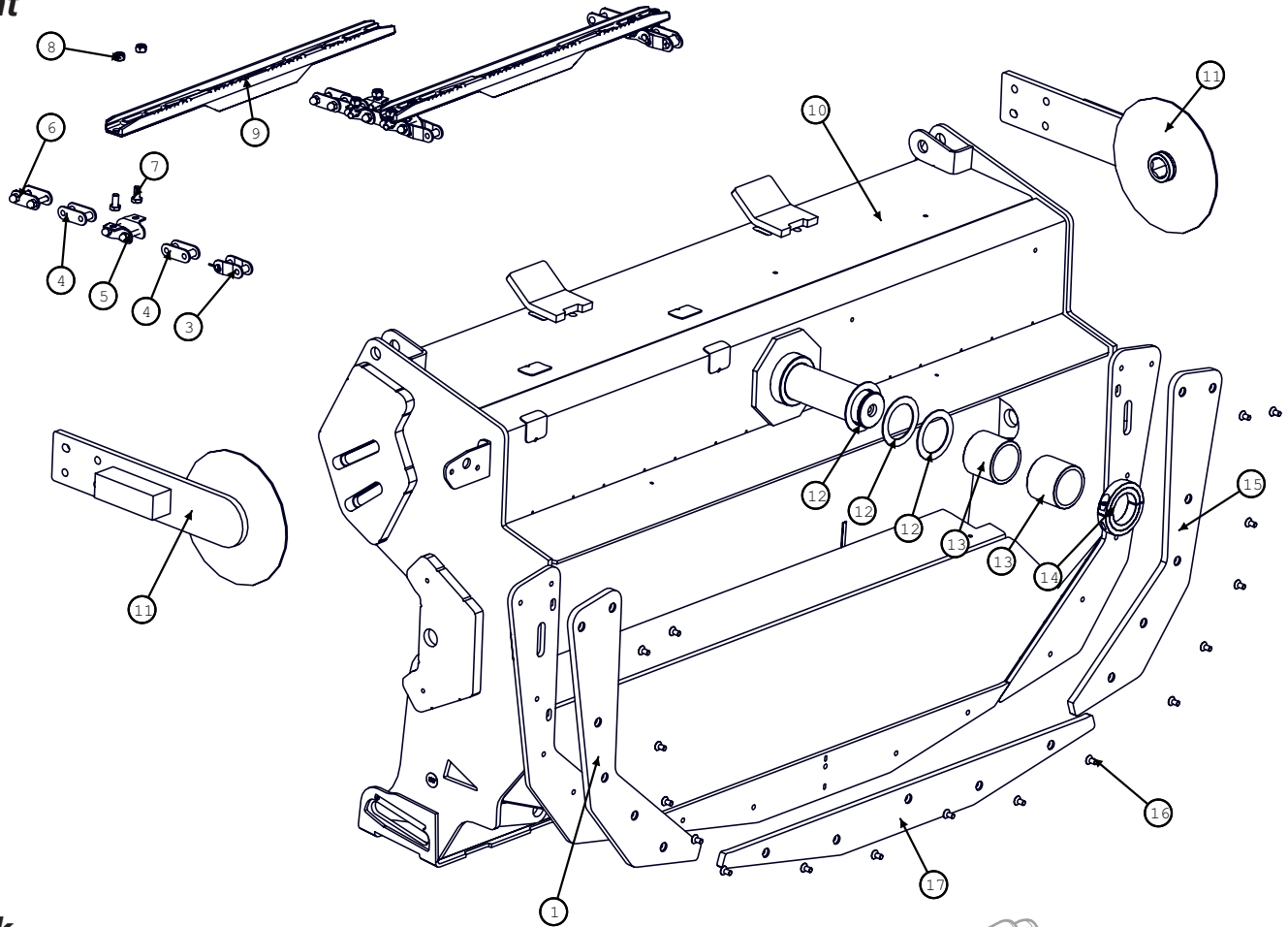


Model JS9110 Hillco Leveling System
For Serial Numbers JS9110-25001 thru JS9110-25999

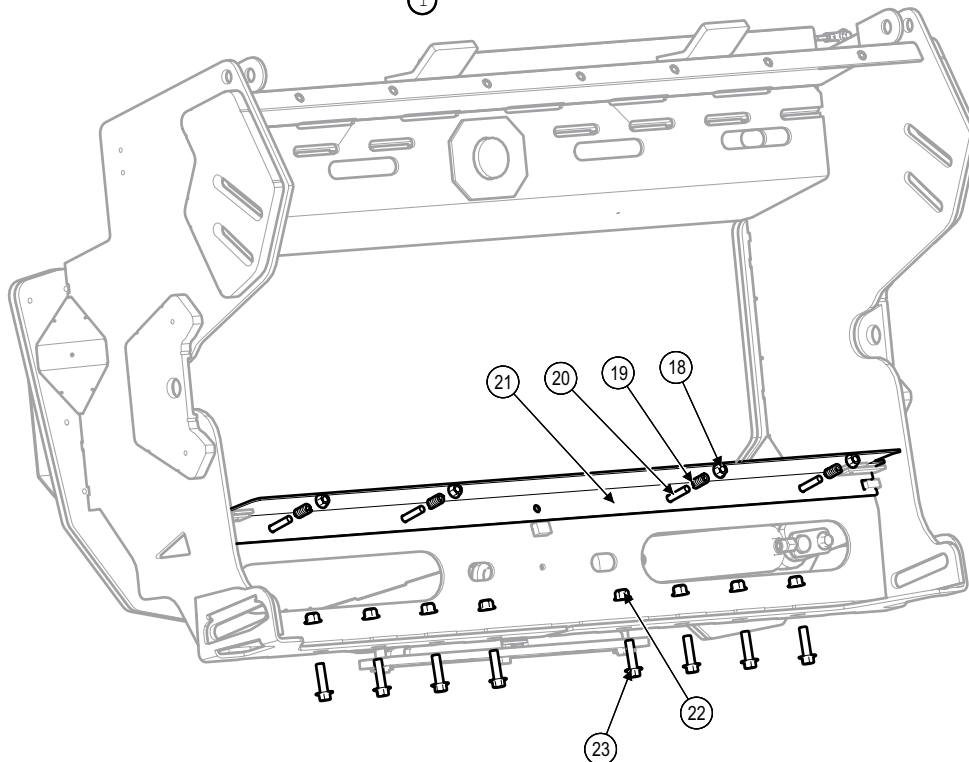
| Feeder Drum Arms & Feeder Chain | | | |
|--|-----------------|------------|---|
| 10" DRUM, 3-STRAND, | | | |
| BOM ID | Part No. | Qty | Description |
| 140261 | 1 | 3 | COUPLER, CA557 CHAIN LINK |
| 146391 | 2 | 6 | LINK, FEMALE, CA557 |
| 146381 | 3 | 4 | CHAIN LINK WITH K6 SIDEBAR |
| 146641 | 4 | 3 | LINK, OFFSET COUPLER CA557 |
| 120.010.020 | 5 | 10 | BOLT,HX,CL10.9 M10 |
| 126.01 | 6 | 10 | NUT,HX,STV,CL10 M10 |
| 146211 | 7 | 3 | NUT 8MM X 1.25 ACORN |
| 146402 | 8 | 2 | SLAT, CAST |
| 1269141 | 9 | 2 | 10" FEEDR DRUM ARM |
| 8" DRUM, LIMITED TRAVEL | | | |
| 140261 | 1 | 4 | COUPLER, CA557 CHAIN LINK |
| 146391 | 2 | 8 | LINK, FEMALE, CA557 |
| 146381 | 3 | 6 | CHAIN LINK WITH K6 SIDEBAR |
| 146641 | 4 | 4 | LINK, OFFSET COUPLER CA557 |
| 120.010.020 | 5 | 12 | BOLT,HX,CL10.9 M10 |
| 126.01 | 6 | 12 | NUT,HX,STV,CL10 M10 |
| 146211 | 7 | 6 | NUT 8MM X 1.25 ACORN |
| 146402 | 8 | 3 | SLAT, CAST |
| 1324681 | 10 | 1 | 8" DRUM ARM, LIMITED TRAVEL |
| 1324671 | 11 | 1 | 8" DRUM ARM, LIMITED TRAVEL |
| 155308 | 12 | 2 | SHORT CONVEYOR |
| 8" DRUM, FULL TRAVEL, HYDRAULIC FORE/AFT | | | |
| 140261 | 1 | 4 | COUPLER, CA557 CHAIN LINK |
| 146391 | 2 | 8 | LINK, FEMALE, CA557 |
| 146381 | 3 | 6 | CHAIN LINK WITH K6 SIDEBAR |
| 146641 | 4 | 4 | LINK, OFFSET COUPLER CA557 |
| 120.010.020 | 5 | 12 | BOLT,HX,CL10.9 M10 |
| 126.01 | 6 | 12 | NUT,HX,STV,CL10 M10 |
| 146211 | 7 | 6 | NUT 8MM X 1.25 ACORN |
| 146402 | 8 | 3 | SLAT, CAST |
| 155308 | 12 | 2 | SHORT CONVEYOR |
| 1319641 | 13 | 1 | 8" DRUM ARM, FULL TRAVEL, HYDRAULIC FORE/AFT |
| 1319631 | 14 | 1 | 8" DRUM ARM, FULL TRAVEL, HYDRAULIC FORE/AFT |
| 8" DRUM, LIMITED TRAVEL, HYDRAULIC FORE/AFT | | | |
| 140261 | 1 | 4 | COUPLER, CA557 CHAIN LINK |
| 146391 | 2 | 8 | LINK, FEMALE, CA557 |
| 146381 | 3 | 6 | CHAIN LINK WITH K6 SIDEBAR |
| 146641 | 4 | 4 | LINK, OFFSET COUPLER CA557 |
| 120.010.020 | 5 | 12 | BOLT,HX,CL10.9 M10 |
| 126.01 | 6 | 12 | NUT,HX,STV,CL10 M10 |
| 146211 | 7 | 6 | NUT 8MM X 1.25 ACORN |
| 146402 | 8 | 3 | SLAT, CAST |
| 155308 | 12 | 2 | SHORT CONVEYOR |
| 1324841 | 15 | 1 | 8" DRUM ARM, LIMITED TRAVEL, HYDRAULIC FORE/AFT |
| 1324831 | 16 | 1 | 8" DRUM ARM, LIMITED TRAVEL, HYDRAULIC FORE/AFT |
| 8" DRUM, FULL TRAVEL | | | |
| 140261 | 1 | 4 | COUPLER, CA557 CHAIN LINK |
| 146391 | 2 | 8 | LINK, FEMALE, CA557 |
| 146381 | 3 | 6 | CHAIN LINK WITH K6 SIDEBAR |
| 146641 | 4 | 4 | LINK, OFFSET COUPLER CA557 |
| 120.010.020 | 5 | 12 | BOLT,HX,CL10.9 M10 |
| 126.01 | 6 | 12 | NUT,HX,STV,CL10 M10 |
| 146211 | 7 | 6 | NUT 8MM X 1.25 ACORN |
| 146402 | 8 | 3 | SLAT, CAST |
| 155308 | 12 | 2 | SHORT CONVEYOR |
| 1324711 | 17 | 1 | 8" DRUM ARM, FULL TRAVEL |
| 1324701 | 18 | 1 | 8" DRUM ARM, FULL TRAVEL |

Model JS9110 Hillco Leveling System
For Serial Numbers JS9110-25001 thru JS9110-25999
TRANSITION THROAT - NON HYDRAULIC FORE/AFT

Front



Back



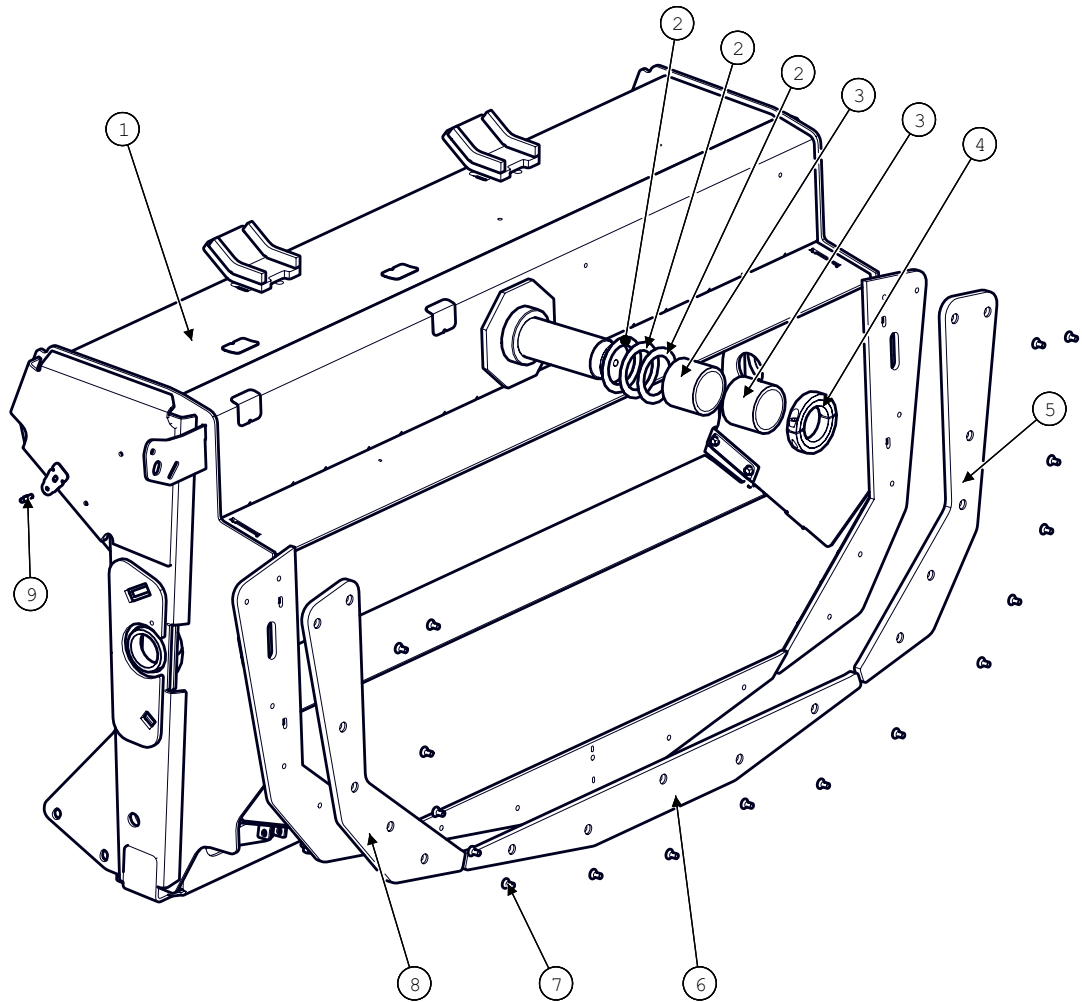
Model JS9110 Hillco Leveling System
For Serial Numbers JS9110-25001 thru JS9110-25999

| Transition Throat | | | |
|--------------------------|-----------------|------------|---|
| BOM ID | Part No. | Qty | Description |
| 1 | 1250571 | 1 | RIGHT WEARPAD |
| 3 | 146641 | 3 | LINK, OFFSET COUPLER CA557 |
| 4 | 146391 | 6 | LINK, FEMALE, CA557 |
| 5 | 146381 | 4 | CHAIN LINK WITH K6 SIDEBAR |
| 6 | 140261 | 3 | COUPLER, CA557 CHAIN LINK |
| 7 | 120.01 | 8 | BOLT,HX,CL10.9 M10 |
| 8 | 126.01 | 8 | NUT,HX,STV,CL10 M10 |
| 9 | 146402 | 2 | SLAT, CAST (See previous pages for more slat options) |
| 10 | 1290461 | 1 | THROAT, SIDEHILL |
| 11 | 1269141 | 2 | FEEDR DRUM ARM (10" - See previous pages for more drum arm options) |
| 12 | 162.014.040 | 3 | BUSHING,MACH,NR |
| 13 | 1241721 | 2 | PIVOT BUSHING |
| 14 | 150742 | 1 | COLLAR,CLAMPING,2-1/2 ID 3-3/4 OD, 2 PIECE HEAVY |
| 15 | 1250561 | 1 | LEFT WEARPAD |
| 16 | 164.008.016 | 17 | SCREW,FHSC,CL10.9 M8X16 |
| 17 | 1250581 | 1 | BOTTOM WEARPAD |
| 18 | 191.010 | 4 | NUT,HX,NYL,CL10 M10 |
| 19 | 143591 | 4 | SPRING, COMPRESSION |
| 20 | 163.010.060 | 4 | BOLT,CARR,CL8.8 M10 |
| 21 | 1313751 | 1 | FLEX FLOOR |
| 22 | 128.012 | 8 | NUT,HX,FL,STV,CL10 M12 |
| 23 | 122.012.045 | 8 | BOLT,HX,FL,CL10.9 M12X45 |

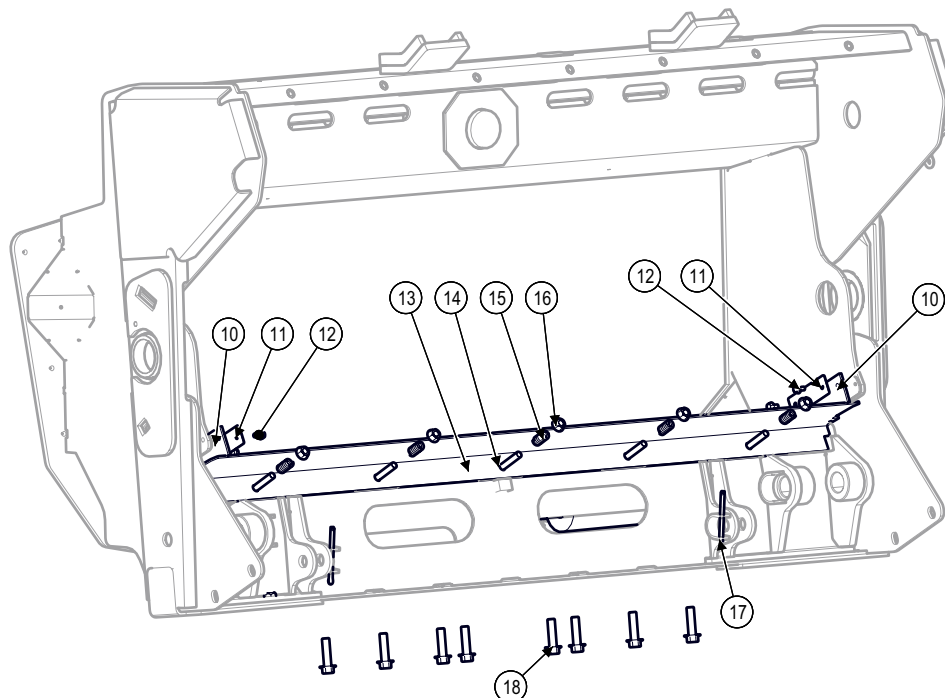
Model JS9110 Hillco Leveling System
For Serial Numbers JS9110-25001 thru JS9110-25999

TRANSITION THROAT - HYDRAULIC FORE/AFT

Front



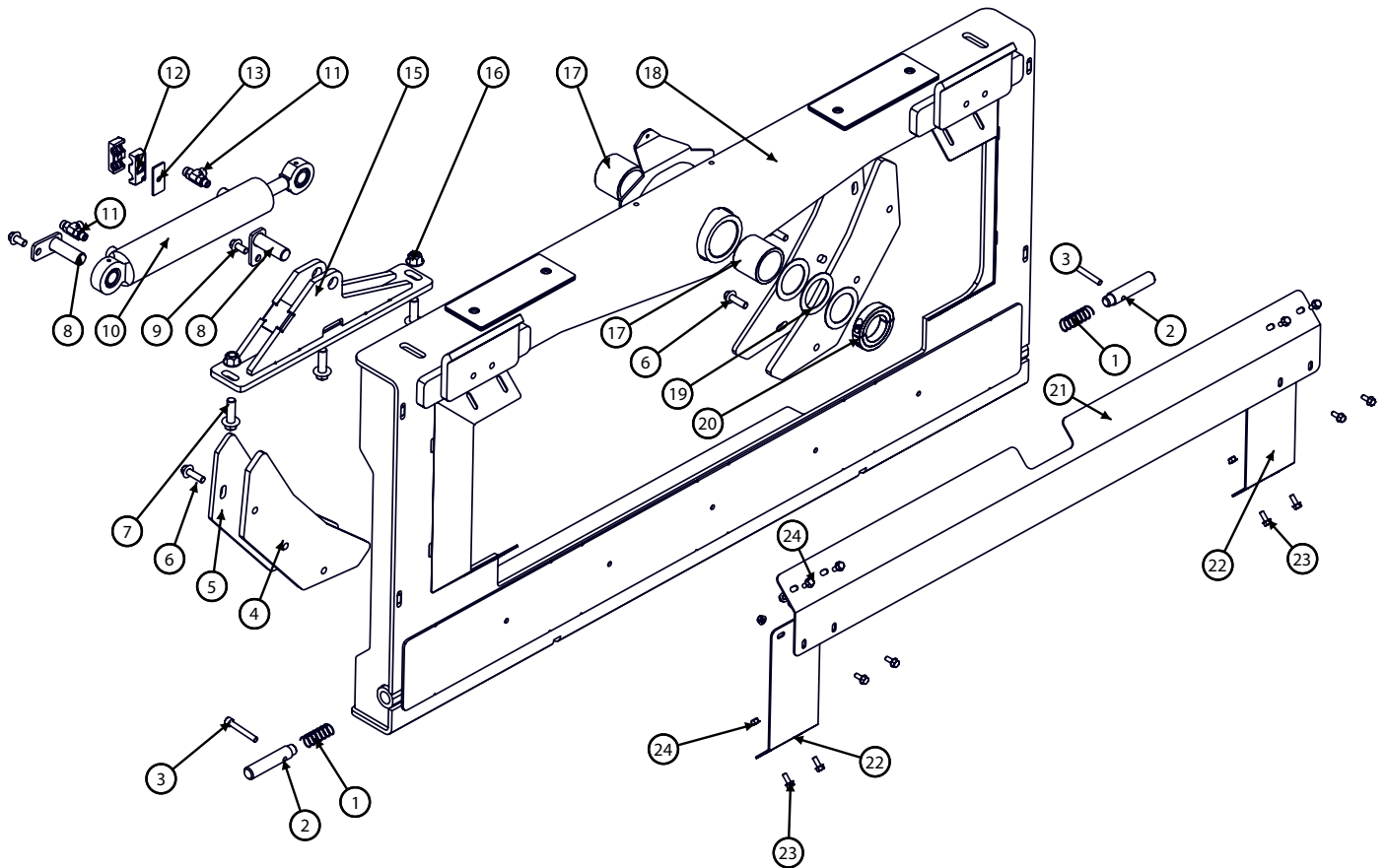
Back



Model JS9110 Hillco Leveling System
For Serial Numbers JS9110-25001 thru JS9110-25999

| Transition Throat - Hydraulic Fore/Aft | | | |
|---|-----------------|------------|--|
| BOM ID | Part No. | Qty | Description |
| 1 | 1318241 | 1 | THROAT, SIDEHILL |
| 2 | 162.014.040 | 3 | BUSHING,MACH,NR |
| 3 | 1241721 | 2 | PIVOT BUSHING |
| 4 | 150742 | 1 | COLLAR,CLAMPING,2-1/2 ID 3-3/4 OD, 2 PIECE HEAVY |
| 5 | 1250561 | 1 | LEFT WEARPAD |
| 6 | 1250581 | 1 | BOTTOM WEARPAD |
| 7 | 164.008.016 | 17 | SCREW,FHSC,CL10.9 M8X16 |
| 8 | 1250571 | 1 | RIGHT WEARPAD |
| 9 | 151341 | 1 | BALL STUD |
| 10 | 1323252 | 2 | SEAL |
| 11 | 1323241 | 2 | STIFFENER, SEAL |
| 12 | 122.006.012 | 3 | BOLT,HX,FL,CL10.9 M6X12 |
| 13 | 1318882 | 1 | FLEX FLOOR |
| 14 | 163.010.060 | 5 | BOLT,CARR,CL8.8 M10 |
| 15 | 143591 | 5 | SPRING, COMPRESSION |
| 16 | 191.010 | 5 | NUT,HX,NYL,CL10 M10 |
| 17 | 142.004.048 | 2 | PIN,COTTER 1/4 |
| 18 | 122.012.045 | 8 | BOLT,HX,FL,CL10.9 M12X45 |

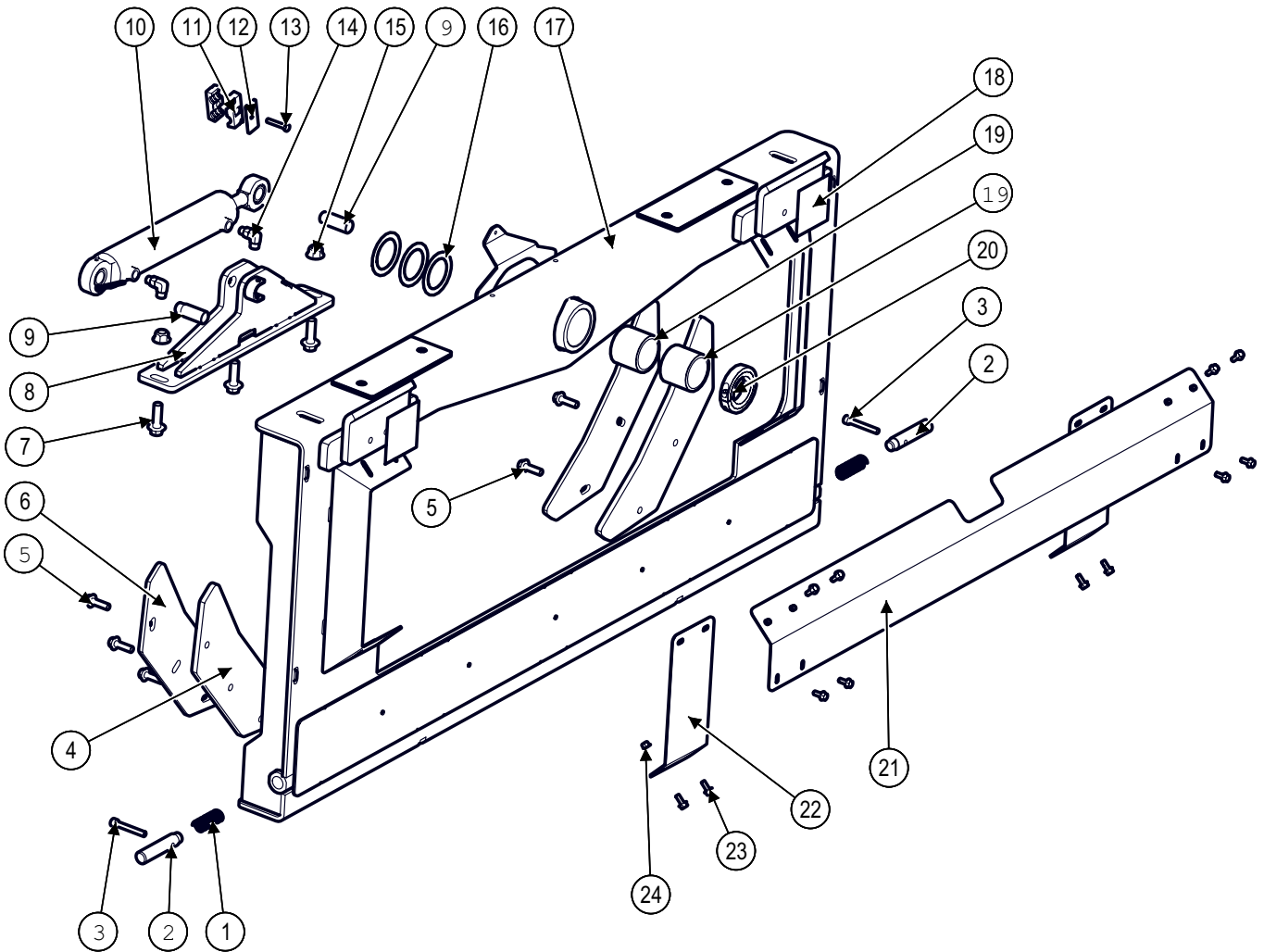
TRANSITION HEADER ADAPTER - NON HYDRAULIC FORE/AFT



Model JS9110 Hillco Leveling System
For Serial Numbers JS9110-25001 thru JS9110-25999

| Transition Header Adapter | | | |
|----------------------------------|-----------------|------------|---------------------------------|
| BOM ID | Part No. | Qty | Description |
| 1 | 135531 | 2 | SPRING, COMPRESSION |
| 2 | 1229193 | 2 | LOCKOUT PIN |
| 3 | 195.010.070 | 2 | SCREW,SHC,CL10.9 M10X70 |
| 4 | 1250551 | 2 | BACKING WEARPAD |
| 5 | 1250541 | 2 | BACKING PLATE |
| 6 | 122.012.040 | 6 | BOLT,HX,FL,CL10.9 M12X40 |
| 7 | 122.016.050 | 3 | BOLT,HX,FL,CL10.9,M16X50 |
| 8 | 1253884 | 2 | CYLINDER PIN |
| 9 | 122.012.025 | 2 | BOLT,HX,FL,CL10.9 M12X25 |
| 10 | 138582 | 1 | CYLINDER 2-1/2 X 10 |
| 11 | 1007.06 | 2 | STR,THD,RUN-06 |
| 12 | 139431 | 2 | CLAMP, 3/4" TWIN BEHRINGER PAIR |
| 13 | 139451 | 1 | COVER PLATE,TWIN |
| 15 | 1250713 | 1 | SLAVE CYL ROD MOUNT |
| 16 | 128.016 | 2 | NUT,HX,FL,STV,CL10 M16 |
| 17 | 1241721 | 2 | TM, GRAPHITE MICARTA |
| 18 | 1320921 | 1 | HEADER ADAPTER |
| 19 | 162.014.040 | 3 | BUSHING,MACH,NR |
| 20 | 150742 | 1 | COLLAR, CLAMPING |
| 21 | 1250522 | 1 | TOP SHIELD |
| 22 | 1250534 | 2 | SIDE SHIELD |
| 23 | 122.008.020 | 12 | BOLT,HX,FL,CL10.9 M8X20 |
| 24 | 128.008 | 12 | NUT,HX,FL,STV,CL10 M8 |

TRANSITION HEADER ADAPTER - HYDRAULIC FORE/AFT



Model JS9110 Hillco Leveling System
For Serial Numbers JS9110-25001 thru JS9110-25999

| Transition Header Adapter - Hydraulic Fore/Aft | | | |
|---|-----------------|------------|--|
| BOM ID | Part No. | Qty | Description |
| 1 | 135531 | 2 | SPRING, COMPRESSION |
| 2 | 1229193 | 2 | LOCKOUT PIN |
| 3 | 195.010.070 | 2 | SCREW,SHC,CL10.9 M10X70 |
| 4 | 1250551 | 2 | BACKING WEARPAD |
| 5 | 122.012.040 | 6 | BOLT,HX,FL,CL10.9 M12X40 |
| 6 | 1250541 | 2 | BACKING PLATE |
| 7 | 122.016.050 | 3 | BOLT,HX,FL,CL10.9,M16X50 |
| 8 | 1320941 | 1 | CYLINDER MOUNT, |
| 9 | 1320891 | 2 | PIN, 1" X 2-1/2 |
| 10 | 138582 | 1 | CYLINDER 2-1/2 X 10 |
| 11 | 139431 | 1 | CLAMP, 3/4" TWIN BEHRINGER PAIR |
| 12 | 139451 | 1 | COVER PLATE,TWIN |
| 13 | 170.008.045 | 1 | BOLT,HX,CL8.8 M8X45 |
| 14 | 1003.06.06 | 2 | -6MORB X -6MORFS |
| 15 | 128.016 | 2 | NUT,HX,FL,STV,CL10 M16 |
| 16 | 162.014.040 | 3 | BUSHING,MACH,NR |
| 17 | 1320921 | 1 | HEADER ADAPTER |
| 18 | 100784 | 2 | LABEL, PINCH POINT |
| 19 | 1241721 | 2 | TM, GRAPHITE MICARTA |
| 20 | 150742 | 1 | COLLAR,CLAMPING,2-1/2 ID 3-3/4 OD, 2 PIECE HEAVY |
| 21 | 1250522 | 1 | TOP SHIELD |
| 22 | 1250534 | 2 | SIDE SHIELD |
| 23 | 122.008.020 | 12 | BOLT,HX,FL,CL10.9 M8X20 |
| 24 | 128.008 | 12 | NUT,HX,FL,STV,CL10 M8 |

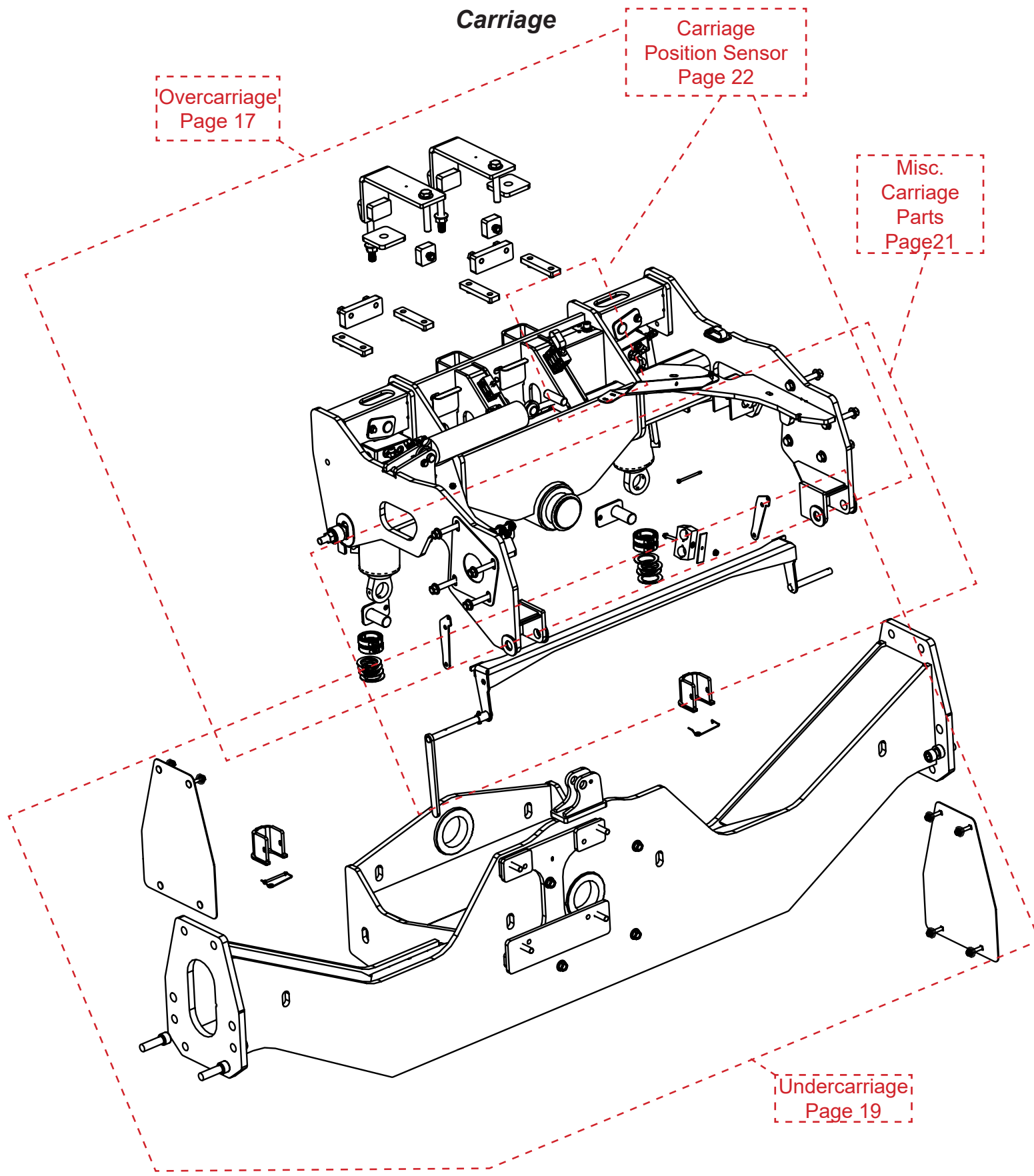
Model JS9110 Hillco Leveling System
For Serial Numbers JS9110-25001 thru JS9110-25999

Carriage

Overcarriage
Page 17

Carriage
Position Sensor
Page 22

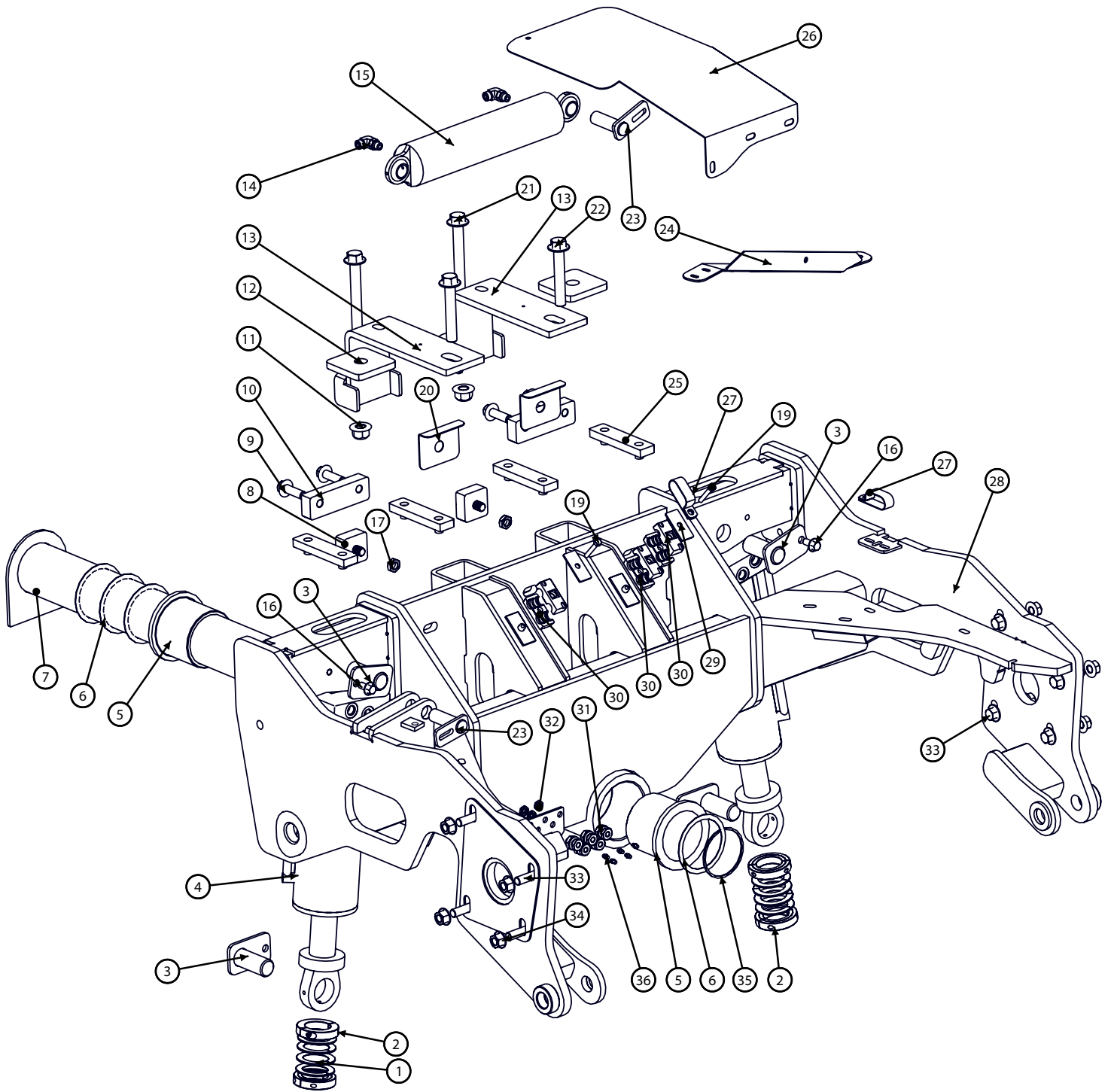
Misc.
Carriage
Parts
Page 21



Undercarriage
Page 19

Model JS9110 Hillco Leveling System
For Serial Numbers JS9110-25001 thru JS9110-25999

Overcarriage

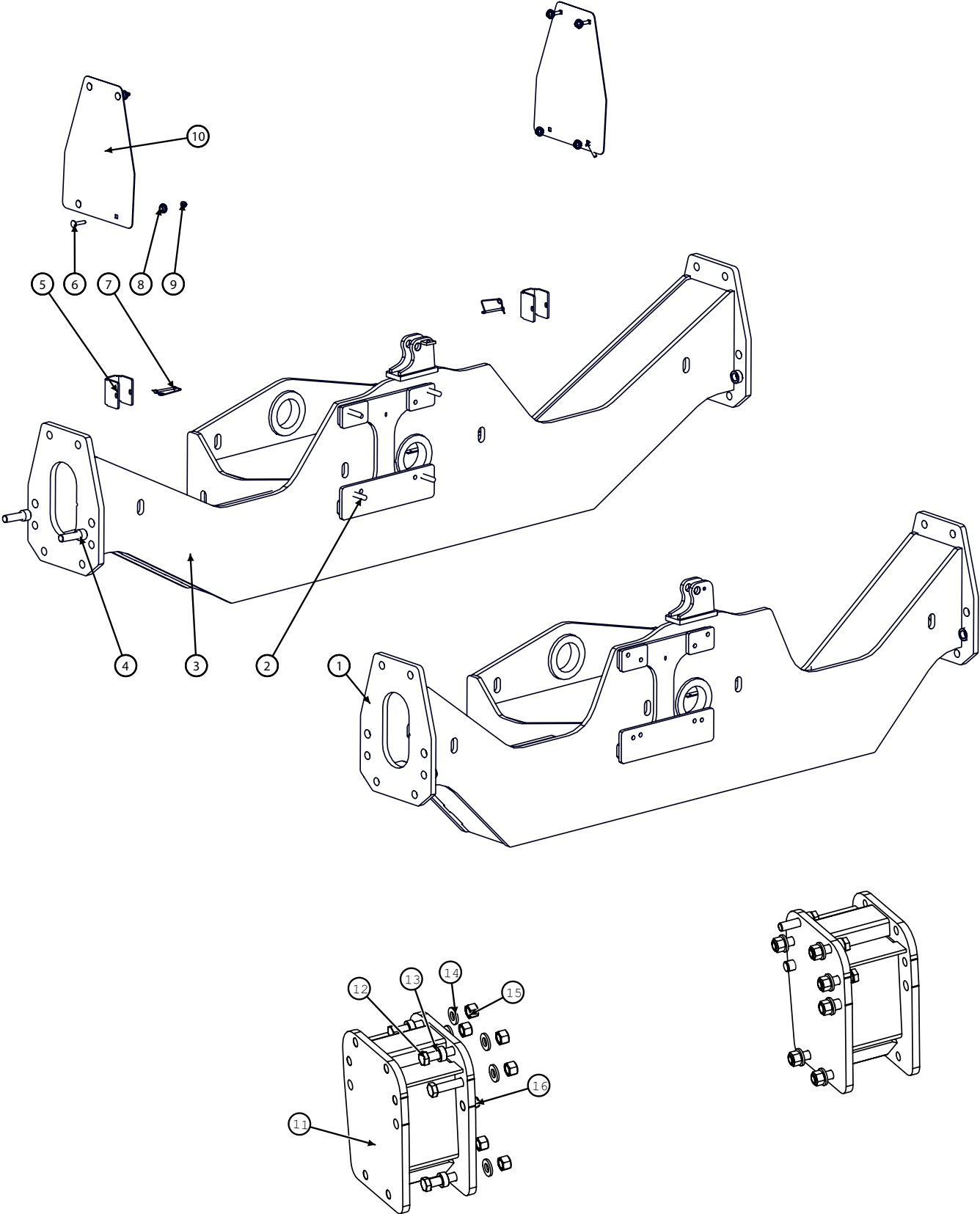


Model JS9110 Hillco Leveling System
For Serial Numbers JS9110-25001 thru JS9110-25999

| Overcarriage | | | |
|--------------|-------------|-----|--------------------------------|
| BOM ID | Part No. | Qty | Description |
| 1 | 137501 | 8 | WASHER, QUICK REPAIR |
| 2 | 153241 | 4 | COLLAR, CLAMPING |
| 3 | 1230552 | 4 | PIN, MAIN CYLINDER |
| 4 | 155860 | 2 | CYLINDER,LEVELING,DUAL CB |
| 5 | 1247961 | 2 | PIVOT BUSHING |
| 6 | 138641 | 4 | 4.016ID X 4.7640D X 048 |
| 7 | 1291351 | 1 | PIVOT PIN |
| 8 | 1296581 | 2 | UPPER CARRIAGE SHIM |
| 9 | 122.016.035 | 4 | BOLT,HX,FL,CL10.9,M16X35 |
| 10 | 1291731 | 2 | CARRIAGE LOCK (9010) |
| 11 | 128.020 | 2 | NUT,HX,FL,STV,CL10 M20 |
| 12 | 1297901 | 2 | SPACER, TUBE CLAMP |
| 13 | 1293631 | 2 | AXLE CLAMP |
| 14 | 1006.06.06 | 2 | -6FORFS X -6MORFS, 90 |
| 15 | 140342 | 1 | CYLINDER, CROSS PORT |
| 16 | 122.012.025 | 2 | BOLT,HX,FL,CL10.9 M12X25 |
| 17 | 165.016 | 2 | NUT,HX,JAM,CL8 M16 |
| 18 | 139471 | 1 | STACK BOLT, BEHRINGER |
| 19 | 101.005.08 | 2 | BOLT,HX,GR5 5/16 -18 X 1 3/4 |
| 20 | 1270042 | 2 | CARRIAGE SHIM |
| 21 | 122.020.220 | 2 | BOLT,HX,FL,CL10.9 M20 |
| 22 | 122.020.120 | 2 | BOLT,HX,FL,CL10.9 M20 |
| 23 | 1345961 | 2 | CYLINDER PIN, TRIM |
| 24 | 1274902 | 1 | SUPPORT, HYDRO HOSE |
| 25 | 1293561 | 4 | LOWER CARRIAGE SHIM |
| 26 | 1274252 | 1 | TABLE, HYDRO HOSE |
| 27 | 147781 | 2 | CLAMP 1/4" DOUBLE LOOP 3/8HOLE |
| 28 | 1291335 | 1 | OVERCARRIAGE |
| 29 | 139231 | 2 | COVER PLATE,TWIN |
| 30 | 139481 | 3 | CLAMP, TWIN, BEHRINGER -.620 |
| 31 | 155157 | 5 | BULKHEAD,GREASE,STR, |
| 32 | 155158 | 5 | BULKHEAD,LOCKNUT |
| 33 | 122.016.120 | 8 | BOLT, HX, FL, CL10.9, M16X120 |
| 34 | 123.016 | 8 | NUT,HX,FL,CL10 M16 |
| 35 | 138651 | 1 | SNAP RING; 4" |
| 36 | 138011 | 5 | ZERK,STR, 1/4-28MTAPER |

Model JS9110 Hillco Leveling System
For Serial Numbers JS9110-25001 thru JS9110-25999

Undercarriage



Model JS9110 Hillco Leveling System
For Serial Numbers JS9110-25001 thru JS9110-25999

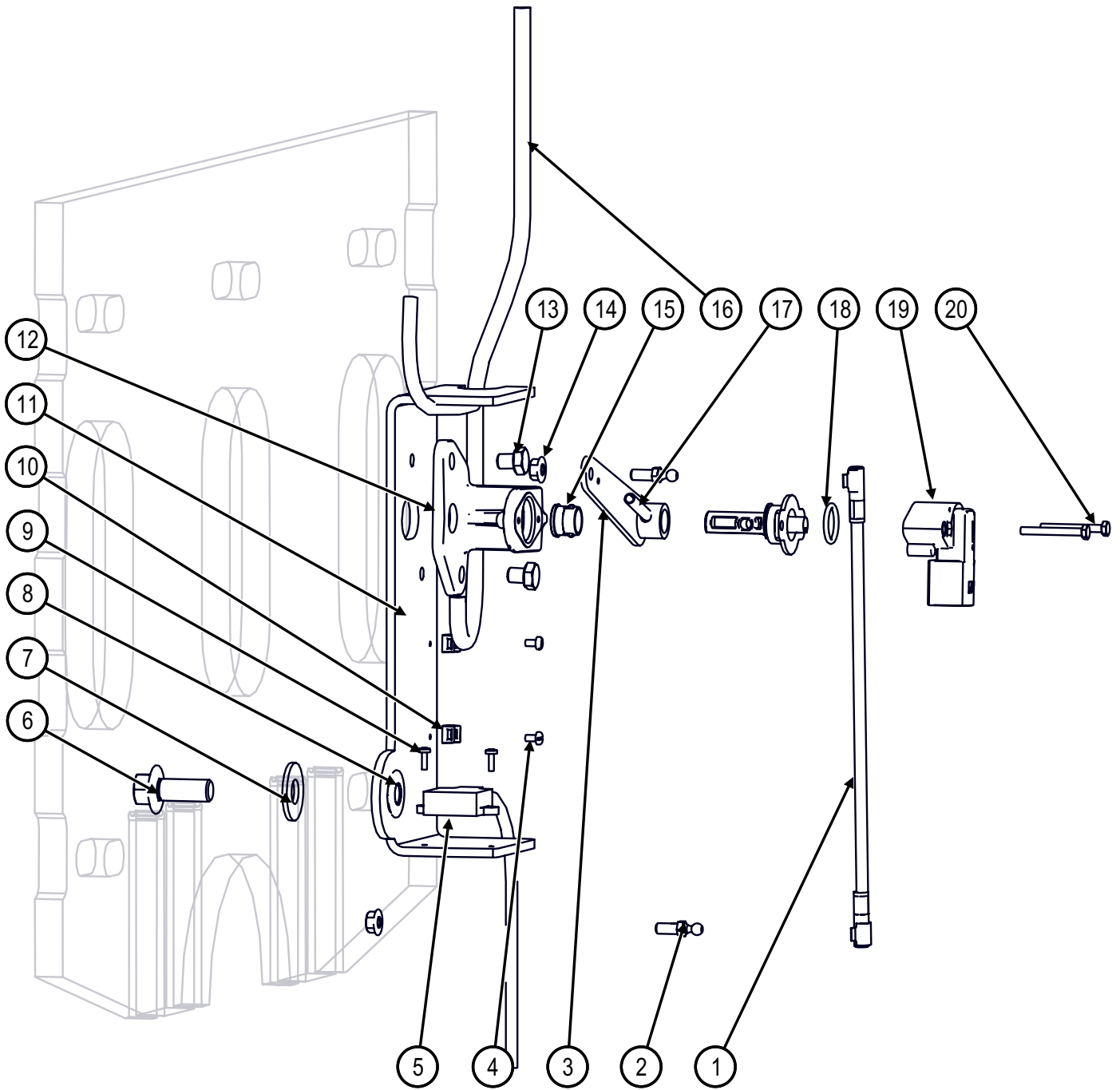
| Undercarriage | | | |
|----------------------|-----------------|------------|--------------------------------------|
| BOM ID | Part No. | Qty | Description |
| 1 | 1292921 | 1 | UNDERCARRIAGE, NARROW, 96.25", |
| 2 | 155.016.075 | 4 | STUD, DOUBLE-10.9 |
| 3 | 1290812 | 1 | UNDERCARRIAGE, WIDE, 114.75" |
| 4 | 159.024.080 | 2 | SCREW,SHC,CL12.9 M24 |
| 5 | 1307161 | 2 | CYLINDER STOP |
| 6 | 163.010.050 | 7 | BOLT,CARR,CL8.8 M10 |
| 7 | 146.004.048 | 2 | PIN,SNAP,LCK |
| 8 | 151021 | 8 | BUSHING, PLASTIC |
| 9 | 123.01 | 8 | NUT,HX,FL,CL10 M10 |
| 10 | 1293831 | 2 | CAP, AXLE |
| 11-15 | 12533141 | 1 | NARROW UNDERCARRIAGE AXLE EXTENSIONS |
| 11 | 1253132 | 2 | LM WLD, 9.25 AXLE EXTENSION |
| 12 | 121.024.100 | 12 | M24 X 3 X 110 HEX CAP |
| 13 | LM-266382 | 8 | CU TM, SPACER-FINAL DRIVE |
| 14 | 141121 | 12 | FW M25.4 X 50.0 X 6.0 |
| 15 | 126.024 | 12 | STOVER NUT 24MX3 |

Model JS9110 Hillco Leveling System
For Serial Numbers JS9110-25001 thru JS9110-25999

| Overcarriage Misc. | | | |
|--|-----------------|------------|--|
| BOM ID | Part No. | Qty | Description |
| 1 | 121.006.035 | 1 | HC-10.9 M6x1.0X35 |
| 2 | 1274252 | 1 | HM PLT, TABLE HYDRO HOSE |
| 3 | 1151781 | 1 | CLAMP, P-STYLE (JD#AH77884) |
| 4 | 155171 | 8 | CLAMP, 1.75" BEHRINGER STD |
| 5 | 122.008.025 | 1 | FLHC-10.9M8X1.25X20 |
| 6 | 135791 | 1 | CLAMP, HOSE 7/8 R/C W 3/8HOLE (JD#AH78237) |
| 7 | 123.008 | 1 | FLHN-10.9M8X1.25 |
| 8 | 1297312 | 1 | LM WLD, HYDRO HOSE SUPPORT |
| 9 | 123.006 | 4 | FLHN-10.9 M6 |
| 10 | 140651 | 2 | BEHRINGER STD COVER PLATE |
| 11 | 1264512 | 1 | LM ASM, LINKAGE, ROCK TRAP |
| NS | 1339772 | 1 | COMPLETE ROCK TRAP KIT |
| 12 | 143601 | 2 | CLAMP, HOSE 1-1/8" R/C W 3/8 |
| 13 | 170.006.090 | 15 | HC-8.8 M6 X 1.00 X 90 |
| 14 | 1274231 | 4 | STUD,DBL-END,CL10.9 M16X90 |
| 15 | 1276391 | 2 | HM CLAMP SPACER |
| 16 | 191.006 | 1 | HN-8.8M6X1.0 NYLOCK |
| 17 | 1264501 | 1 | LM ASM, HANDLE, ROCK TRAP |
| 18 | 1290742 | 2 | LM SHT, ROCK TRAP LINKAGE, UPPER |
| NS | 1348562 | 2 | STONE DOOR LINKAGE |
| 19 | 1276351 | 1 | HOSE, 1-1/2" BELLOWSFLEX HARDWALL 14" |
| 20 | 1063.24.24 | 1 | UNION, -24MB x -24MB |
| 21 | 152061 | 2 | CLAMP, HOSE, WORM GEAR, 1.5" TO 2.5" |
| HIGH MOISTURE KIT ROCK TRAP LINKAGE | | | |
| 22 | 1348311 | 2 | FEEDERHOUSE DOOR BRACKET |
| 23 | 1348341 | 2 | FEEDERHOUSE DOOR STANDOFF |

Model JS9110 Hillco Leveling System
For Serial Numbers JS9110-25001 thru JS9110-25999

Carriage Position Sensor

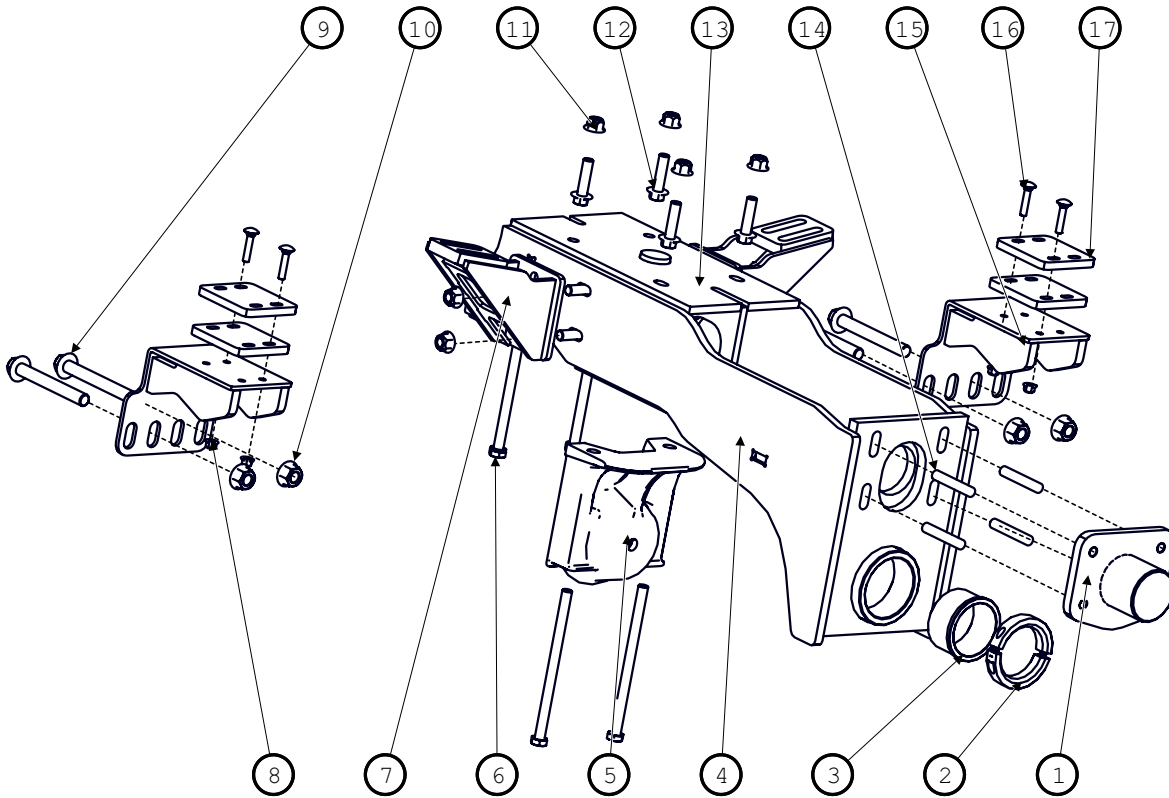


Model JS9110 Hillco Leveling System
For Serial Numbers JS9110-25001 thru JS9110-25999

| Carriage Position Sensor | | | |
|---------------------------------|--------------------|------------|------------------------------------|
| BOM ID | Description | Qty | Description |
| 1 | Clip | 1 | AH160510 |
| 2 | 151341 | 1 | (H168732) |
| 3 | 151371 | 1 | (AXE17303) |
| 4 | 115.#06.008 | 1 | SCREW,PHM,SH 6-32X1/4 |
| 5 | 1347142 | 1 | CLINOMETER, MEMS, DUAL AXIS, 12VDC |
| 6 | 122.012.030 | 1 | M12X30 |
| 7 | 105.008 | 1 | 1/2" |
| 8 | 123.012 | 1 | M12x1.75 |
| 9 | 114.#06.006 | 1 | 6-32X3/8 |
| 10 | 153641 | 1 | CABLE TIE MOUNT, |
| 11 | 1347292 | 1 | SENSOR MOUNT |
| 12 | 151321 | 1 | (JD#HXE16001) |
| 13 | 178.008 | 2 | M8X10 |
| 14 | 123.006 | 1 | M6 X 1.0 |
| 15 | 151361 | 1 | (JD#R41076) |
| 16 | 1347161 | 1 | SENSOR PACKAGE HARNESS |
| 17 | 201.006 | 1 | M6X36 |
| 18 | 151391 | 1 | (JD#P48347) |
| 19 | 151381 | 1 | HALL 2CH +/-120DE |
| 20 | 170.004.035 | 1 | M4x35 |

Model JS9110 Hillco Leveling System
For Serial Numbers JS9110-25001 thru JS9110-25999

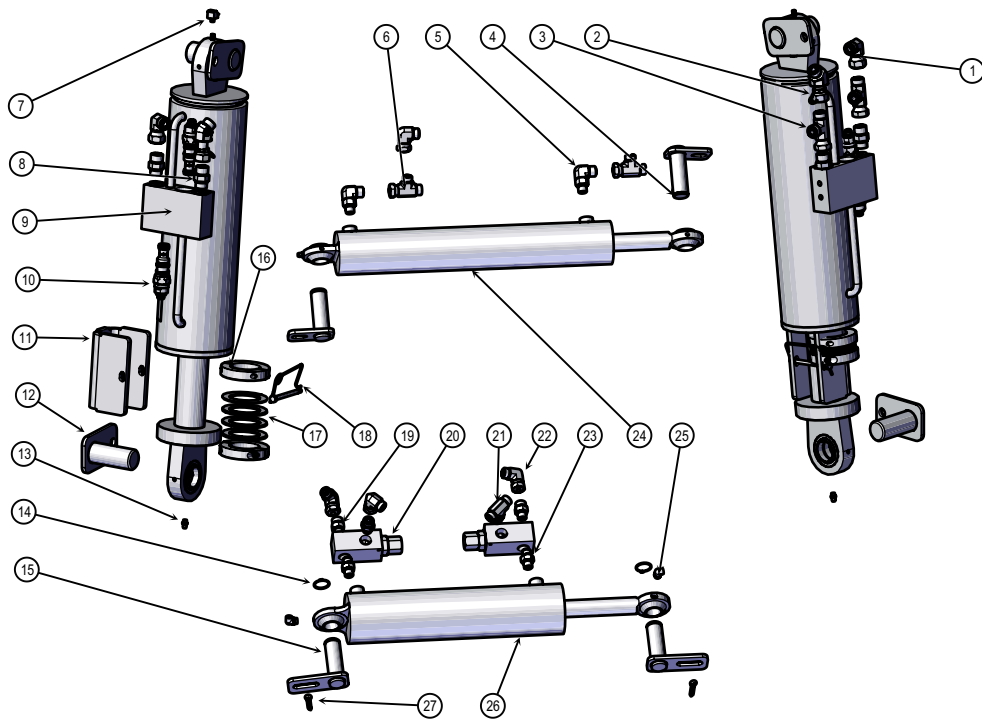
DROP AXLE



| Drop Axle | | | |
|-----------|-------------|-----|--------------------------------|
| BOM ID | Part No. | Qty | Description |
| 1 | 1291071 | 1 | PIVOT PIN |
| 2 | 145491 | 1 | COLLAR, CLAMPING 3-1/2 X 4-3/4 |
| 3 | 1235092 | 1 | BUSHING, PIVOT |
| 4 | 1291022 | 1 | DROP AXLE |
| 5 | 152471 | 1 | STAND-OFF, REAR AXLE |
| 6 | 121.016.250 | 4 | M16X250 |
| 7 | 1313541 | 2 | WING |
| 8 | 128.010 | 4 | NUT,HX,FL,STV,CL10 M10 |
| 9 | 122.020.160 | 4 | M20x160 |
| 10 | 123.020 | 4 | NUT,HX,FL,CL10 M20 |
| 11 | 128.016 | 8 | NUT,HX,FL,STV,CL10 M16X2. |
| 12 | 122.016.060 | 4 | M16X60 |
| 13 | 122.016.050 | 4 | M16X50 |
| 14 | 155.016.090 | 4 | STUD,DBL-END,CL10.9 M16X90 |
| 15 | 1299792 | 2 | ROTATION STOP |
| 16 | 163.010.050 | 4 | M10x50 |
| 17 | 1299892 | 4 | ROTATION STOP 16° |

Model JS9110 Hillco Leveling System
For Serial Numbers JS9110-25001 thru JS9110-25999

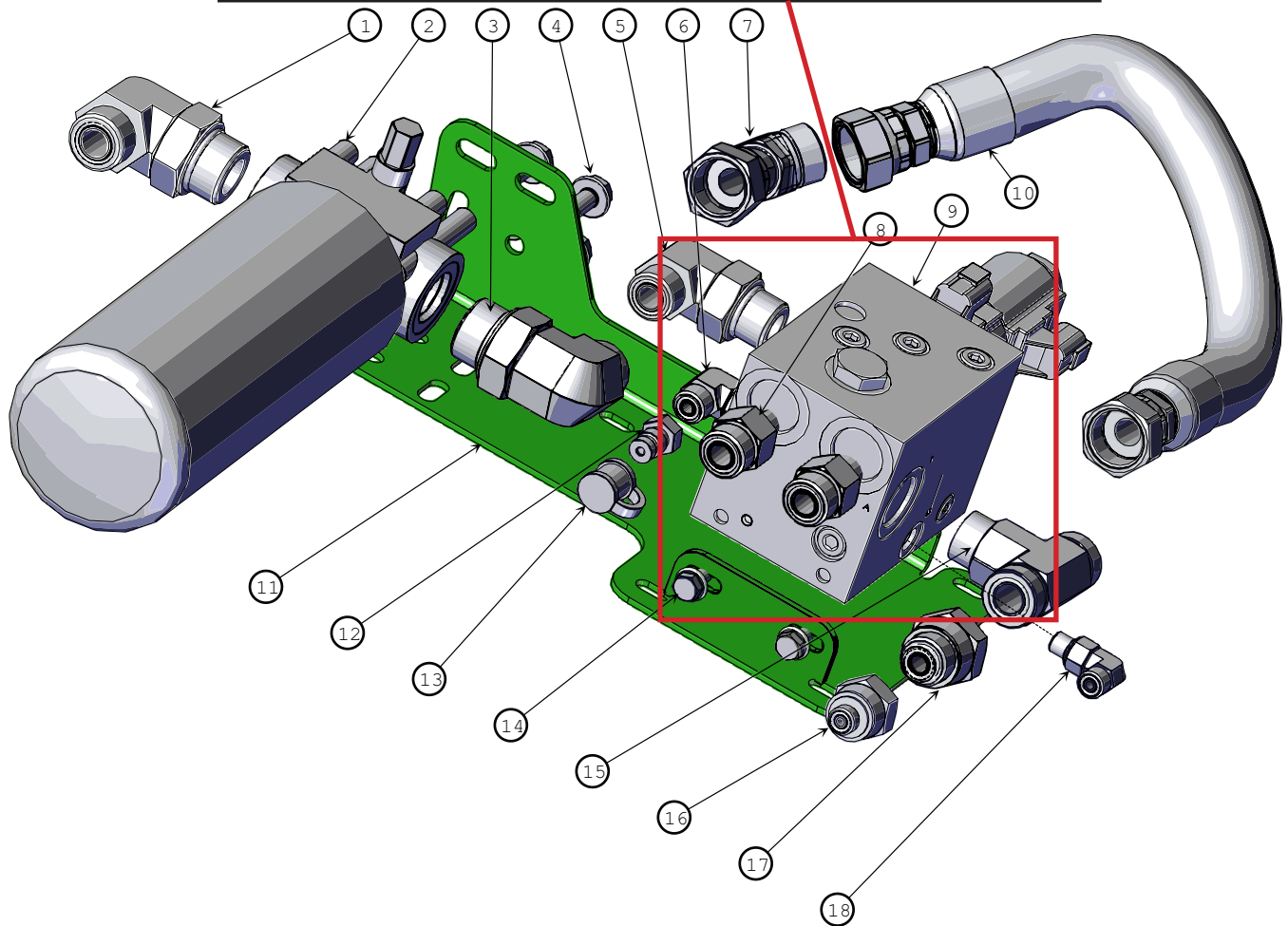
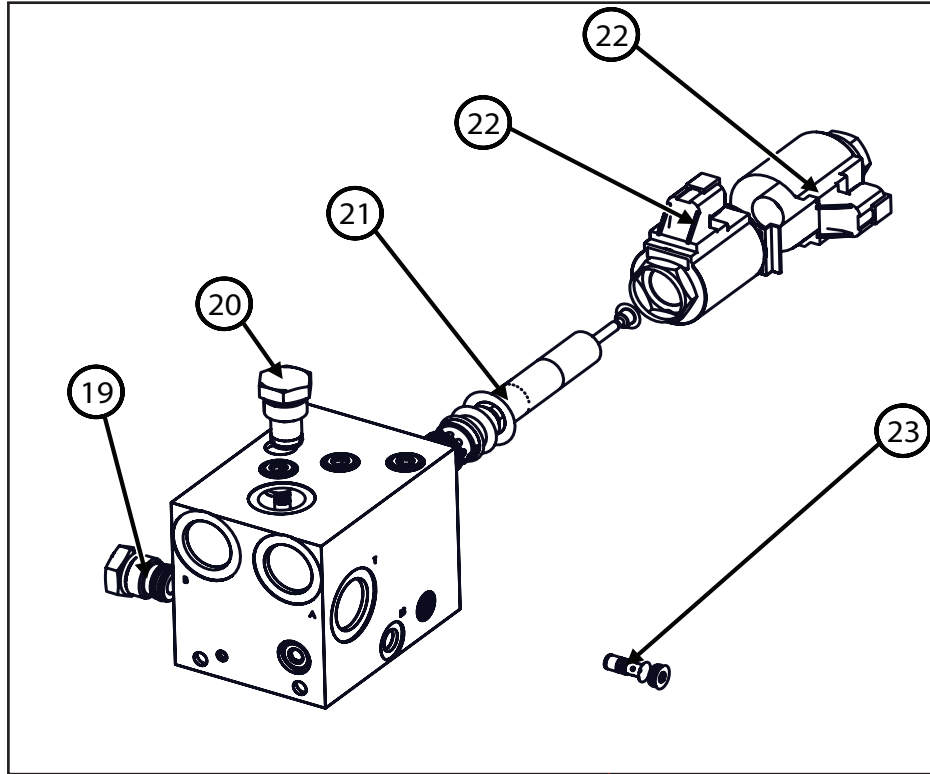
Hydraulic Components



| Hydraulic Components | | | |
|----------------------|-------------|-----|--|
| BOM ID | Part No. | Qty | Description |
| 1 | 1006.08.08 | 2 | HA, 90° -8FORFS X -8MORFS |
| 2 | 1005.08.08 | 2 | -6FORFS X -6MORFS |
| 3 | 1008.08 | 2 | SWV,NUT,RUN -8ORFS |
| 4 | 1253884 | 2 | CYLINDER PIN, |
| 5 | 1003.06.06 | 2 | -6MORB X -6MORFS |
| 6 | 1008.06 | 2 | SWIVEL NUT, RUN, -6ORFS |
| 7 | 135761 | 2 | 1/4-28 MALE X 1/8 FPT 45 DEG |
| 8 | 1001.08.08 | 4 | HA,STR -8MORB X -8MORFS |
| 9 | 155860 | 2 | 4-1/2 BORE, 11" STROKE, 22.5" CPC |
| 10 | 155593 | 4 | COUNTERBALANCE VALVE T11 CAVITY, 5K PSI |
| 11 | 1293721 | 2 | CYLINDER STOP |
| 12 | 1230552 | 4 | PIN, MAIN CYLINDER |
| 13 | 138011 | 2 | 1/4-28MTAPER |
| 14 | 148 | 2 | EXT 1" |
| 15 | 1345961 | 2 | CYLINDER PIN, |
| 16 | 153241 | 4 | 2"IDx3"OD |
| 17 | 137501 | 8 | 3"ODx2"IDx1/8T |
| 18 | 146.004.048 | 2 | PIN,SNAP,LCK 1/4X3 |
| 19 | 1001.06.06 | 3 | -6MORBx-6MORFS |
| 20 | 155770 | 2 | RELIEF VALVE ASM |
| 21 | 1009.06 | 1 | STR THD, BRANCH, |
| 22 | 1006.06.06 | 4 | COUNTERBALANCE VALVE -6FORFS x -6MORFS |
| 23 | 1027.06.06 | 2 | -6MORBx-6MORB |
| 24 | 147491 | 1 | CYLINDER, SLAVE, 21" CPC 12-1/2" STROKE, 2-1/2" BORE |
| 25 | 135771 | 2 | ADAPTER,GREASE,90° |
| 26 | 140342 | 1 | CYLINDER,MASTER 3"B,8-3/4"S,1-3/8"R,17-1/4CPC |
| 27 | 142.004.016 | 2 | PIN, COTTER 1/4" X 1" |

Model JS9110 Hillco Leveling System
For Serial Numbers JS9110-25001 thru JS9110-25999

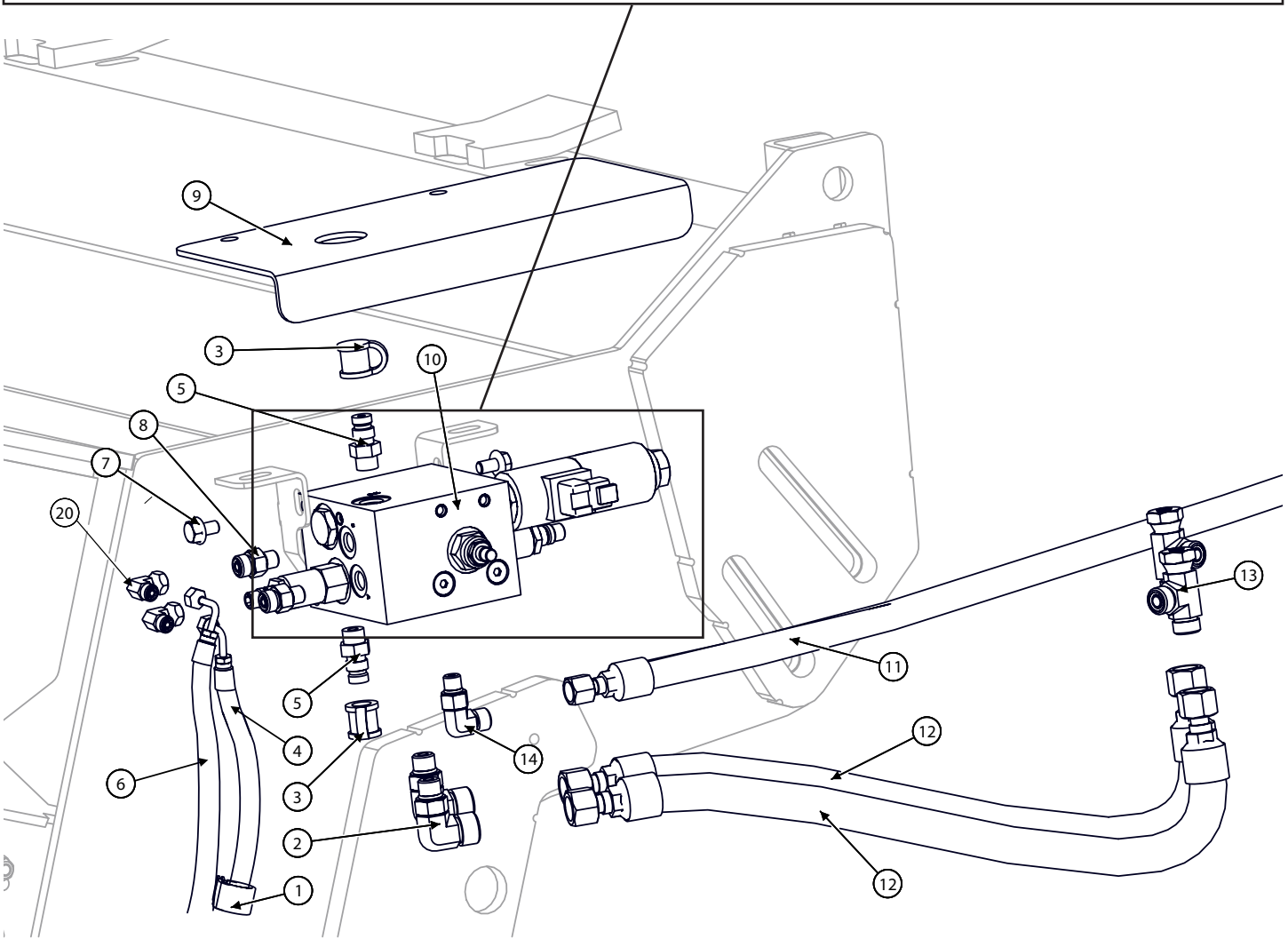
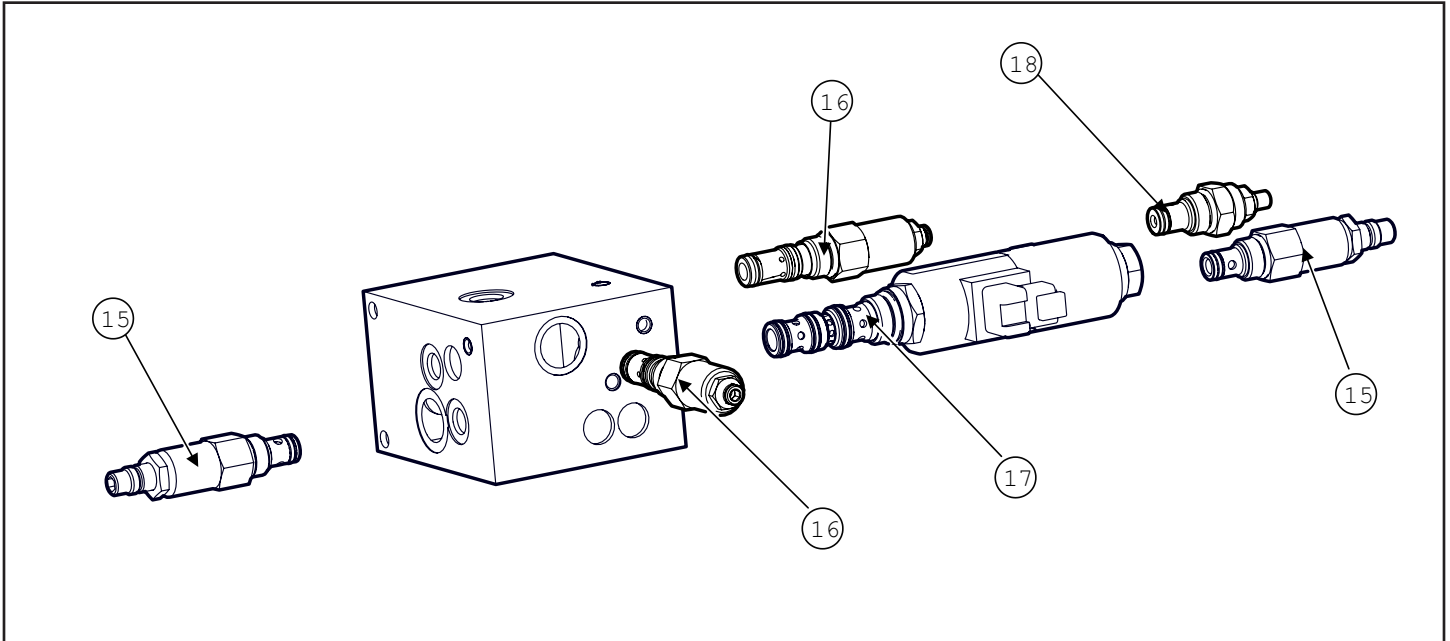
Leveling Manifold



Model JS9110 Hillco Leveling System
For Serial Numbers JS9110-25001 thru JS9110-25999

| Leveling Manifold | | | |
|--------------------------|-----------------|------------|--|
| BOM ID | Part No. | Qty | Description |
| 1 | 1003.16.16 | 1 | 90° -16MORB X -16MORFS |
| 2 | 143441 | 1 | OIL (AH125733) |
| 3 | 1003.16.12 | 2 | 90° 16MORB X -12MORFS |
| 4 | 122.010.020 | 4 | BOLT,HX,FL,CL10.9 M10X20 |
| 5 | 1003.12.10 | 1 | 90° -12MORB X 10MORFS |
| 6 | 1003.06.06 | 1 | 90° -6MORB X -6MORFS |
| 7 | 1005.12.12 | 1 | 45° -12FORFS X -12MORFS |
| 8 | 1001.12.10 | 2 | STR -12MORB X -10MORFS |
| 9 | 1343021 | 1 | MANIFOLD, LEVELING, HIGH-FLOW (COMATROL P/N11191146) |
| 10 | 1384281 | 1 | HOSE 100R17AR-12x17-1/4" -12FORS STR X -12FORS STR |
| 11 | 1384291 | 1 | MOUNT, MANIFOLD |
| 12 | 155173 | 1 | QUICK-CONNECT HYD |
| 13 | 144001 | 1 | DUST COVER (JD#R77175) |
| 14 | 111.005.008 | 4 | BOLT,HX,FL, 5/16-18 X 1/2 |
| 15 | 1009.12 | 1 | STR, THD, BRA, -12ORFS |
| 16 | 1004.10.04 | 1 | STR, -10FORFS X -4MORFS |
| 17 | 1004.12.10 | 1 | STR, -12FORFS x -10MORFS |
| 18 | 1003.04.04 | 1 | 90° -4MORB X -4MORFS |
| 19 | 155234 | 1 | CAVITY PLUG, 3 WAY, 10 SERIES |
| 20 | 155238 | 1 | CAVITY PLUG, 2 WAY, 10 SERIES |
| 21 | 155855 | 1 | CARTRIDGE VALVE,3 POS,4 WAY, PROPORTIONAL, 16GPM |
| 22 | 155854 | 2 | SOLENOID COIL,M19,PROP,DEUTSCH |
| 23 | 155236 | 1 | CHECK VALVE, REVERSE DIRECTION |

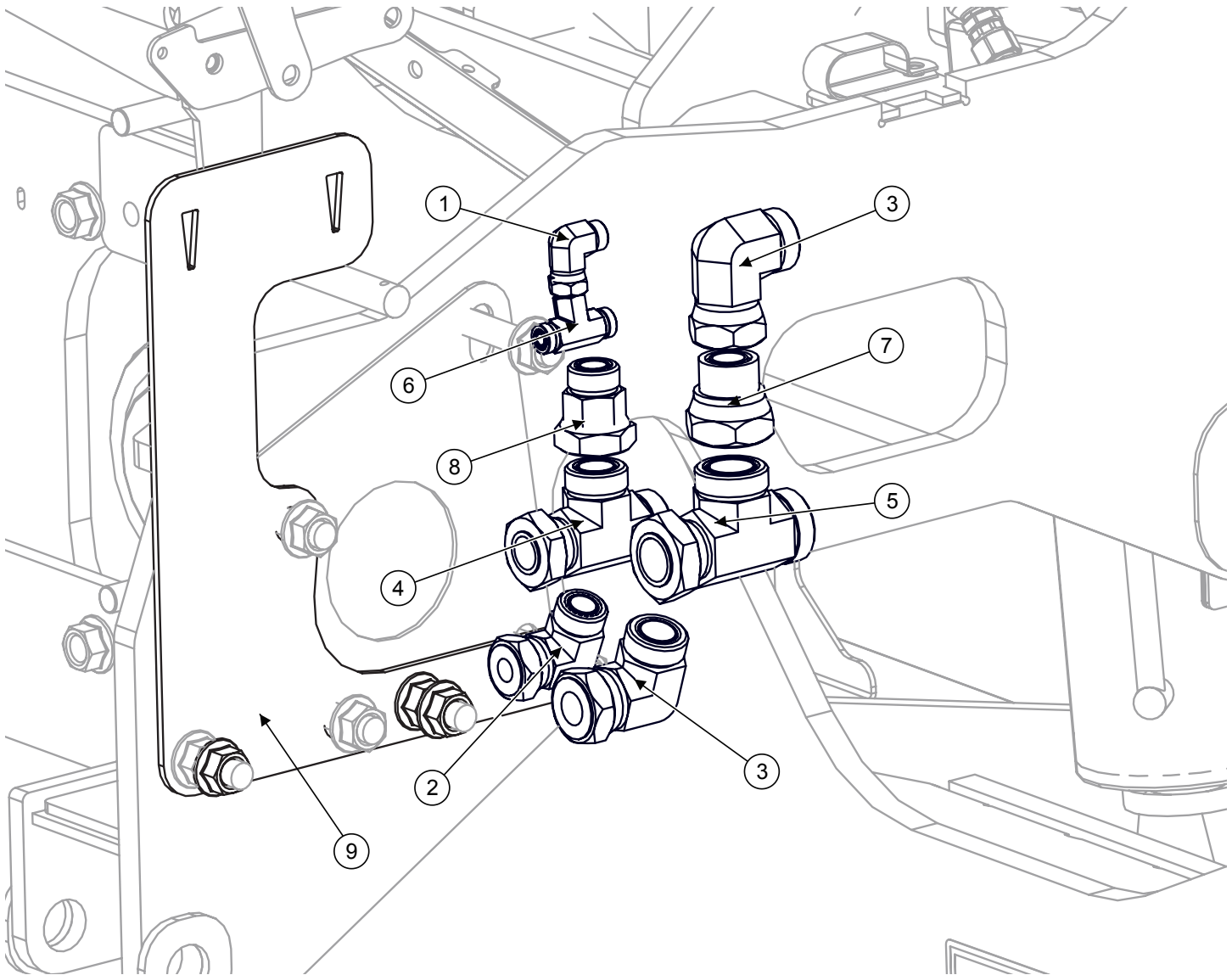
Header Trim Manifold
(Only on combines without factory Header Tilt.)



Model JS9110 Hillco Leveling System
For Serial Numbers JS9110-25001 thru JS9110-25999

| Header Trim Manifold | | | |
|-----------------------------|-----------------|------------|--|
| BOM ID | Part No. | Qty | Description |
| 1 | 135791 | 2 | CLAMP, HOSE |
| 2 | 1003.08.06 | 2 | -8MORB X -6MORFS |
| 3 | 144001 | 2 | DUST COVER |
| 4 | 1322112 | 1 | 100R17-04 67", |
| 5 | 143991 | 2 | COUPLER, |
| 6 | 1322101 | 1 | 100R17-04X80", |
| 7 | 111.005.008 | 2 | BOLT,HX,FL,GR5 5/16-18X1/2 |
| 8 | 1001.04.04 | 2 | HA,STR |
| 9 | 1316464 | 1 | SHIELD, TRIM SHIELD |
| 10 | 1331781 | 1 | MANIFOLD, CUSTOM, TRIM |
| 11 | 1320721 | 1 | 100R17AR-04X138", |
| 12 | 1320711 | 2 | 100R17AR-06X38", |
| 13 | 1008.06 | 2 | SWIVEL NUT, RUN, -6ORFS |
| 14 | 1003.04.04 | 1 | HA,90° |
| 15 | 155243 | 2 | CARTRIDGE, PRESSURE RELIEF, |
| 16 | 155742 | 2 | CARTRIDGE, COUNTERBALANCE CP08-3L CAVITY |
| 17 | 155249 | 1 | CARTRIDGE VALVE, 3 POS,4 WAY (INCLUDES 155248) |
| 18 | HC-145501 | 1 | VALVE, NEEDLE |
| 19 | 155248 | 2 | SOLENOID COIL, CARTRIDGE, PROP |
| 20 | 1006.04.04 | 2 | -4FORFS X -4MORFS 90° |

John Deere Header Lift Manifold Fittings



| John Deere Header Lift Manifold Fittings | | | |
|--|------------|-----|-----------------------------------|
| BOM ID | Part No. | Qty | Description |
| 1 | 1006.06.06 | 1 | ELBOW, 90°, -6FF x -6MF |
| 2 | 1006.12.12 | 1 | ELBOW, 90°, -12MF x -12FF |
| 3 | 1006.16.16 | 2 | ELBOW, 90°, -16MF x -16FF |
| 4 | 1008.16 | 1 | TEE, SWIVEL NUT, RUN, #16 |
| 5 | 1008.20 | 1 | TEE, SWIVEL NUT, RUN, #20 |
| 6 | 1008.06 | 1 | TEE, SWIVEL NUT, RUN, -6FF x -6MF |
| 7 | 1004.20.16 | 1 | STR, -20FF x -16MF |
| 8 | 1004.16.12 | 1 | STR, 16FF x 12MF |
| 9 | 1297821 | 1 | MANIFOLD SPACER |

Model JS9110 Hillco Leveling System
For Serial Numbers JS9110-25001 thru JS9110-25999

Hydraulic Hoses

| Part No | Qty | Description | Hose Specs |
|---------|-----|---|---|
| 1138944 | 1 | Connect Master Cylinder Base to Bulkhead #5 | HLB-02X33-1/2", -02MP SWVL STR X 1/8-27NPSM STR |
| 1138953 | 1 | Connects Right Leveling Cylinder to Bulkhead #4 | HLB -02X40" -02MP SWVL STR X 1/8-27NPSM STR |
| 1138964 | 1 | Connects Pivot Tube to Bulkhead #3 | HLB -02X54", -02MP STR SWVL X 1/8 -27NPSM STR |
| 1138975 | 1 | Connects Master Cylinder Rod to Bulkhead #2 | HLB -02X68" -02MP STR SWVL X 1/8-27NPSM STR |
| 1138975 | 1 | Connects Left Leveling Cylinder Base to Bulkhead #1 | HLB -02X68" -02MP STR SWVL X 1/8-27NPSM STR |
| 1152452 | 1 | Connects Yellow Port to Slave Cylinder Base Port | 100R17AR -04 X 90" -6FORS STR X -6FORS 90° D23MM |
| 1152462 | 1 | Connects C/M Blue Port to Rod Port of Tilt Cylinder. | 100R17AR -04 X 80" -6FORS STR;-6FORS 90° D23MM |
| 1273462 | 2 | Filter Head; Front & Side Ports to Valve Blocks Ports | 100R17AR -08 X 62" -10FORS STR X -8FORS 90° D41MM |
| 1274141 | 1 | Reverse Hydro Hose | 797TC-20 X 124", 20MBARB 90° XR FLNG X20 MBARB STR FLNG |
| 1295602 | 2 | Connects Counterbalance Ports V1 & V2 to Manifold Ports "A" & "B" | 100R17AR -10 X 103" -08 FORS X -10 FORS |
| 1295882 | 1 | Connects Master Cylinder to Slave Cylinder | 100R17-06 X 195" -06FORS STR;-06FORS STR |
| 1297421 | 1 | Extends AH226084 to Proportionator Motor Supply | 100R17AR -10 X 66" -10MF STR;-10FF 90° D23MM |
| 1297441 | 1 | Extends AH226085 to Proportionator Pump Supply | 100R17AR -12 X 66" -12MORS STR;-12FORS 90° M58MM |
| 1297452 | 1 | Replaces AH219243; Connects Rear Filter Port to Proportionator Motor Return | 100R17AR -10 X 127" -10FORS STR;-10FORS 90° D3MM |
| 1297481 | 1 | Extends AH226119 to the Trans Lube | 100R17AR-06 X 31" -6MORS STR X -6FORS 90° D23MM |
| 1297641 | 1 | Extends Right Brake Hose | 100R17-06 X 78", -06MORS STR X-06FORS 90° D23MM |
| 1297651 | 1 | Extends Left Brake Hose | 100R17AR -06 X 60" -06MF STR X -06FF STR |
| 1297922 | 1 | Replaces John Deere Header Lift Hose | 100R17AR -12 X 91" -12FORS STR;-12FORS 90° D58MM |

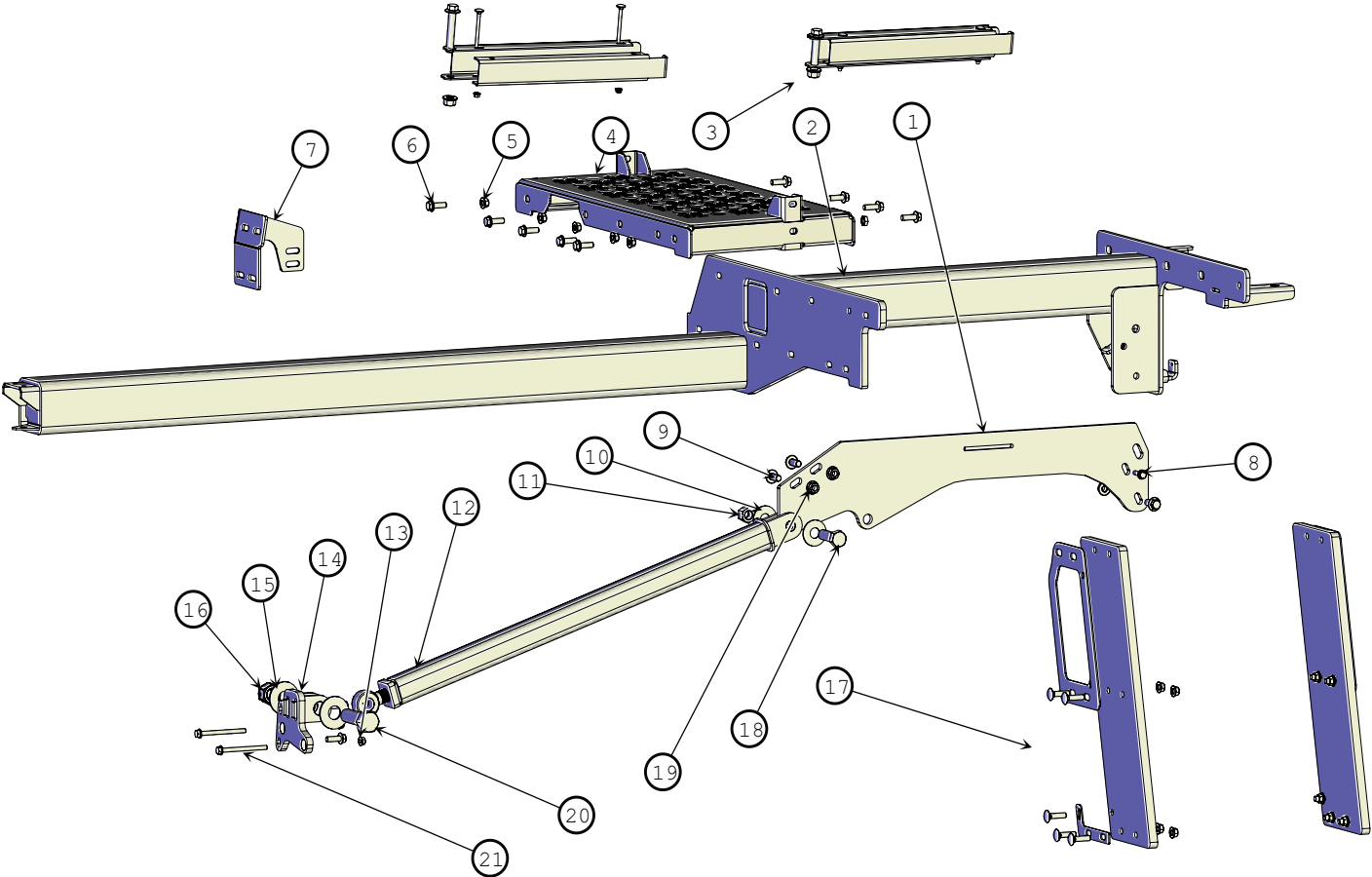
Model JS9110 Hillco Leveling System
For Serial Numbers JS9110-25001 thru JS9110-25999

Hydraulic Hoses

| Part No | Qty | Description | Hose Specs |
|----------------|------------|--|--|
| 1297933 | 1 | Replaces John Deere Header Lift Hose | 100R17AR-12X44" -12FORS STR X -10FORS STR |
| 1298291 | 1 | Extends Pro-Drive Case Drain | 100R17AR -16 X 36" -16MORS STR;-16FORS STR |
| 1298322 | 1 | Replaces Header Hose | 100R17AR -12 X 42" -10FF STR X -12FF 90° D58MM |
| 1298331 | 1 | Replaces Header Lift Pressure Hose | 100R17AR -16 X 90" -16FORS STR;-16FORS 90° D56MM |
| 1299191 | 1 | Extends John Deere Hose to Shift Block | 100R17AR -04 X 15" -6MORS STR;-6FORS 90° D23MM |
| 1305181 | 1 | Forward Hydro Hose | 797TC-20 121", 90° MR FLNG X STR FLNG |
| 1320711 | 2 | Connects "P" & "T" Ports of Trim Manifold to John Deere Manifold | 100R17AR -06 X 38" -6 FORS STR X -6 FORS STR |
| 1320721 | 1 | Trim Manifold Load Sense to John Deere Header Lift Manifold | 100R17AR -04 X 138" -4 FORS STR X -6 FORS STR |
| 1322102 | 1 | Connects Base Port of Cylinder to "B" Port of Trim Manifold | 100R17AR -04 X 77", -6FORS STR, -4FORS 90° D32MM |
| 1322113 | 1 | Connects Rod Port of Cylinder to "A" Port of Trim Manifold | 100R17 -04 64", -6FF STR X -4F 90° D21MM |
| 1331391 | 1 | Connects Master Base Port to Slave Base Port | 100R17-06 X 175" -06FORS STR;-06FORS STR |
| 1353021 | 1 | Connects Left Leveling Cylinder to Right Leveling Cylinder | 100R17AR -06X65" -8FORS STR X -8FORS 90° D29MM |
| 1353031 | 1 | Connects Left Leveling Cylinder to Right Leveling Cylinder | 100R17AR -06X56" -8FORS STR X -8FORS 90° D29MM |
| 1364341 | 1 | Connect Base Port Relief to Rod Port Relief | 100R17AR-04X8-9/16" -6FORS STR, -6FORS STR |
| 1364351 | 1 | Connects Rod Port Relief to Leveling Manifold Tank Port | 100R17AR-04X115-3/4, -6FORS STR,-4FORS 90°D21MM |
| 1384281 | 1 | Manifold Return Port to Filter Inlet Port | 100R17AR -12X17-1/4" -12FORS STR X -12FORS STR |
| 1384581 | 1 | Load Sense; Corner Post to Leveling Manifold Port | 100R17AR-04 X 92" -6FORS STR;-4FORS STR |
| 1384591 | 1 | Return, Filter Outlet to Corner Post Manifold | 100R17AR-12 X 72" -16FORS STR;-16FORS 90° D56MM |
| 1384601 | 1 | Pressure, Corner Post Manifold to Pressure Port Manifold | 100R17AR-10X86" -10FORS STR;-12FORS 90° D48MM |

Model JS9110 Hillco Leveling System
For Serial Numbers JS9110-25001 thru JS9110-25999

Ladder



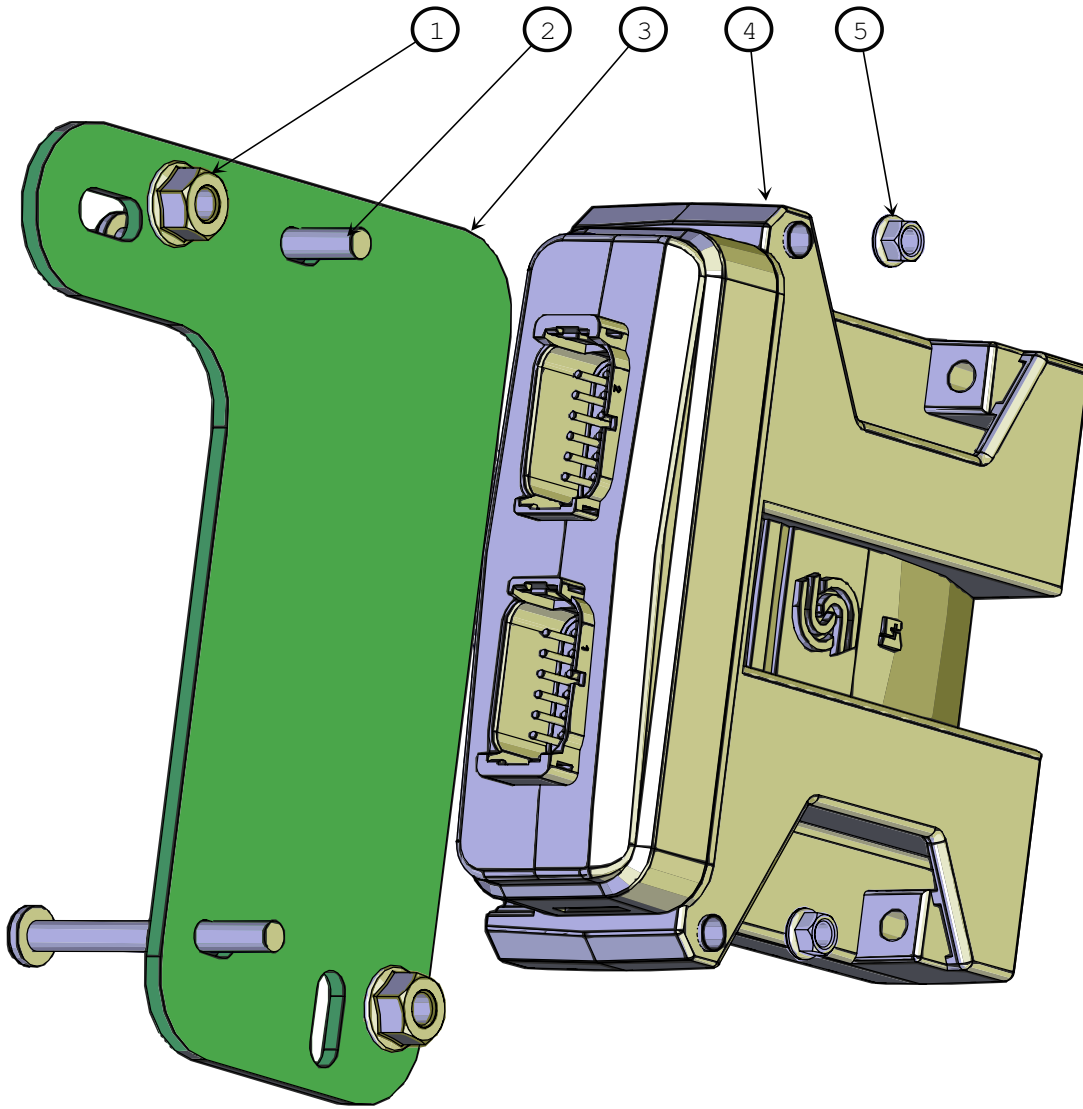
Model JS9110 Hillco Leveling System
 For Serial Numbers JS9110-25001 thru JS9110-25999

Ladder

| BOM ID | Part No. | Qty | Description |
|---------------|-----------------|------------|--------------------------------|
| 1 | 1388481 | 1 | BRACE, OUTER BEAM |
| 2 | 1384371 | 1 | LADDER BEAM, 2107MM |
| 3 | 1384451 | 2 | HANDRAIL BAR |
| 4 | 156397 | 1 | CAB PLATFORM, 350MM OR 375MM |
| 5 | 128.010 | 5 | NUT, HX, FL, STV, CL10 M10 |
| 6 | 122.010.030 | 11 | BOLT, HX, FL, CL10.9 M10X30 |
| 7 | 1389101 | 1 | BRACKET, WARNING LIGHT |
| 8 | 122.008.030 | 1 | BOLT, HX, FL, CL10.9 M8X30 |
| 9 | 122.012.030 | 3 | BOLT, HX, FL, CL10.9 M12X30 |
| 10 | 105.012 | 2 | WASHER, FLT 3/4 |
| 11 | 187.012 | 1 | NUT, HX, NYL, GR8 3/4-10 |
| 12 | 1388411 | 1 | BEAM BRACE, ADJ |
| 13 | 123.008 | 2 | NUT, HX, FL, CL10 M8 |
| 14 | 1388471 | 1 | BRACE, MOUNT |
| 15 | 105.016 | 2 | WASHER, FLT 1 |
| 16 | 187.016 | 1 | NUT, HX, NYL, GR8 1" |
| 17 | 1384491 | 1 | DOUBLE HANGER STEP |
| 18 | 102.012.040 | 1 | HC BOLT, HX, GR8 3/4-10X2-1/2" |
| 19 | 123.012 | 3 | NUT, HX, FL, CL10 M12 |
| 20 | 102.016.056 | 1 | HC BOLT, HX, GR8 1-8X3-1/2 |
| 21 | 122.008.100 | 2 | BOLT, HX, FL, CL10.9 M8X100 |

Model JS9110 Hillco Leveling System
 For Serial Numbers JS9110-25001 thru JS9110-25999

Controller



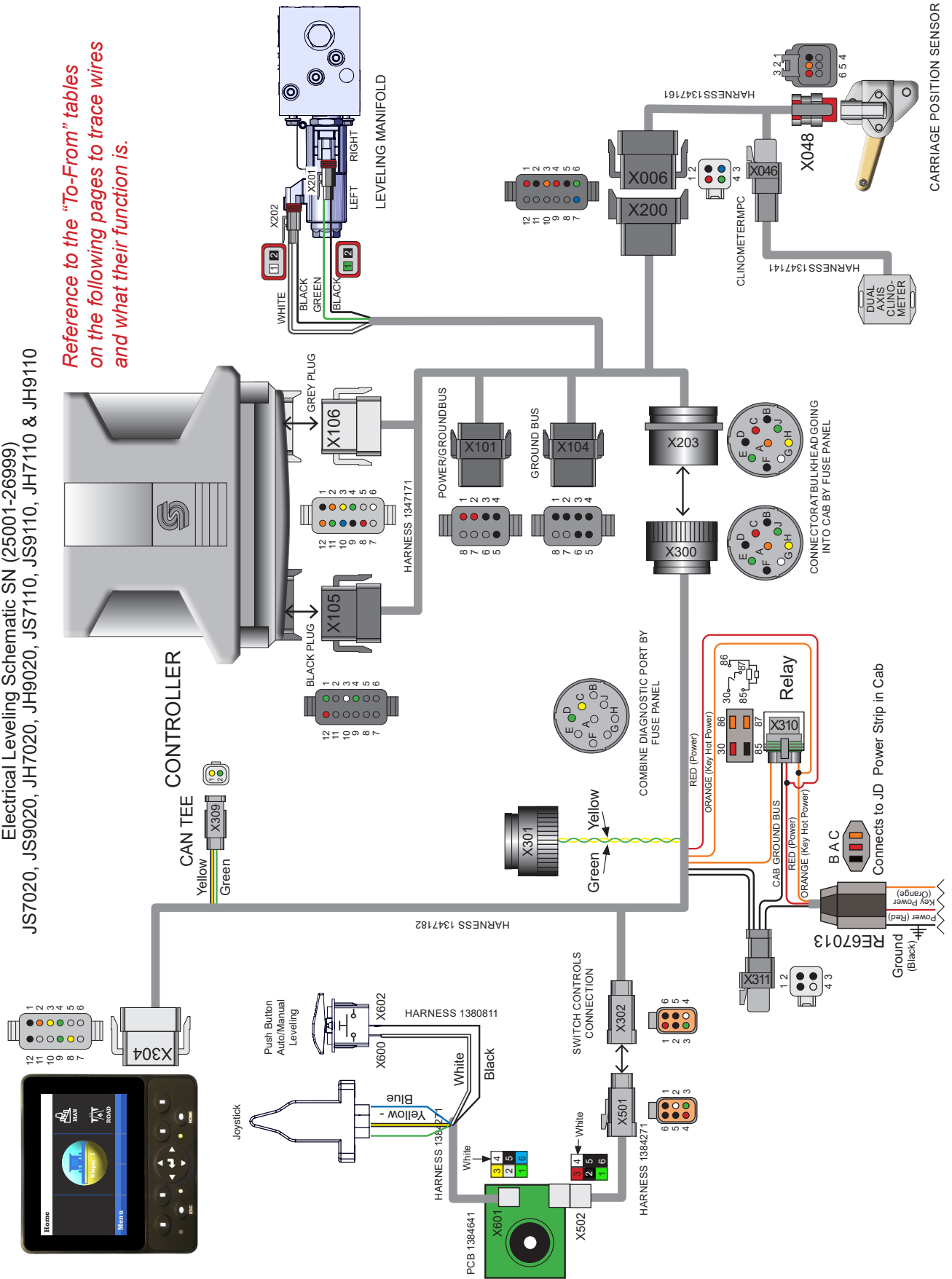
| Controller | | | |
|-------------------|-----------------|------------|--------------------------------|
| BOM ID | Part No. | Qty | Description |
| 1 | 123.008 | 2 | NUT,HX,FL,CL10 M8 |
| 2 | 114.004.036 | 2 | SCREW,PHM,CH,SERR 1/4-20X2-1/4 |
| 3 | 1384111 | 1 | MOUNT, CONTROLLER |
| 4 | 155713 | 1 | SAUR-DANFOSS, 24-PIN |
| 5 | 119.004 | 2 | NUT,HX,FL,SERR 1/4-20 |

Model JS9110 Hillco Leveling System
 For Serial Numbers JS9110-25001 thru JS9110-25999

Electrical Schematics

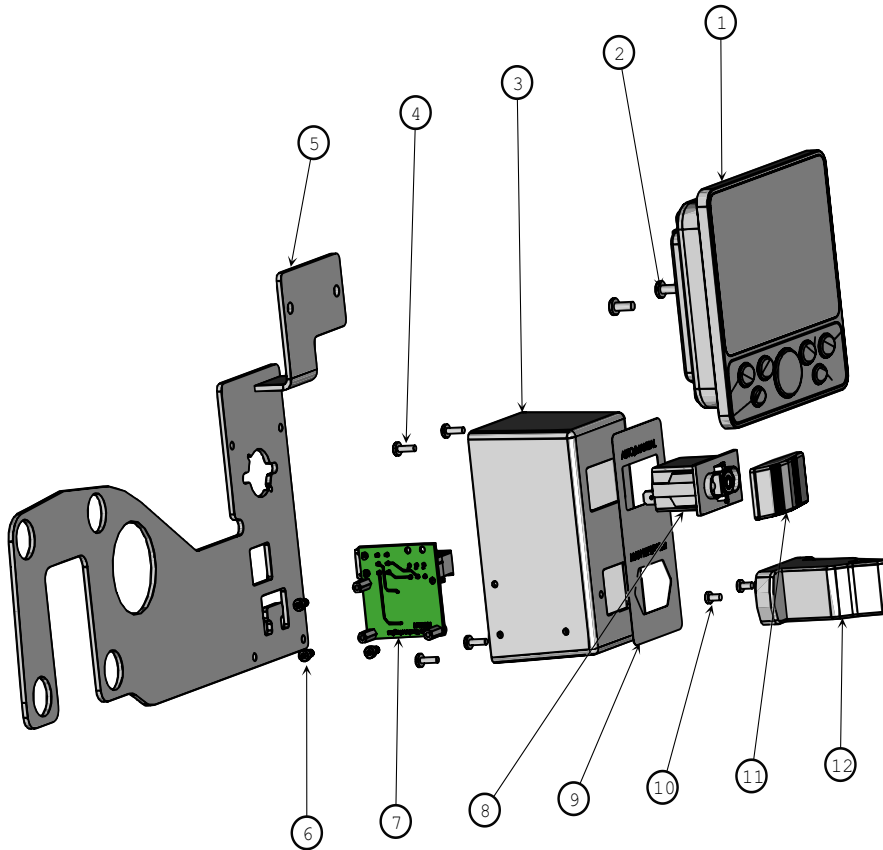
Electrical Leveling Schematic SN (25001-26999)
 JS7020, JS9020, JH7020, JH9020, JS7110, JS9110, JH7110 & JH9110

Reference to the "To-From" tables on the following pages to trace wires and what their function is.



Model JS9110 Hillco Leveling System
 For Serial Numbers JS9110-25001 thru JS9110-25999

Monitor



| BOM ID | Part No. | Qty | Description |
|--------|-------------|-----|------------------------------------|
| 1 | 1384331 | 1 | DISPLAY |
| 2 | 171.004.010 | 2 | M4X10 |
| 3 | 1346991 | 1 | BOX, SWITCH MOUNT |
| 4 | 114.#06.006 | 4 | SCREW,PHM,CH 6-32X3/8 |
| 5 | 1347232 | 1 | MOUNT, 700 SERIES LEVELER CONTROLS |
| 6 | 237.003.006 | 3 | M3X0.5, 6MM LENGTH |
| 7 | 1384641 | 1 | PCB, CIRCUIT, BUZZER, JOYSTICK |
| 8 | 155785 | 1 | SWITCH, SPST MOMENTARY |
| 9 | 155796 | 1 | DECAL, SWITCH BOX, LEVELING SYSTEM |
| 10 | 171.003.006 | 2 | SCREW,PHM,CH M3X6 |
| 11 | 149581 | 1 | CONTURA BLACK ACTUATOR |
| 12 | 155784 | 1 | JOYSTICK, SINGLE AXIS |

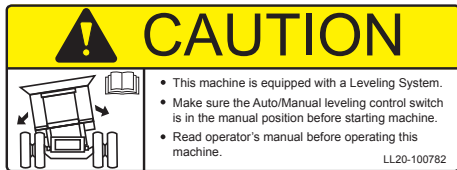
Model JS9110 Hillco Leveling System
 For Serial Numbers JS9110-25001 thru JS9110-25999
Decals and Literature



1) LL-133741



2) LL-151041



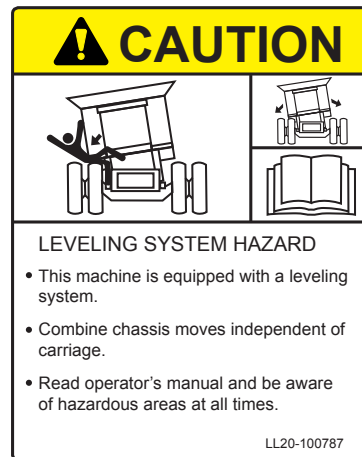
3) LL20-100782



4) LL20-100784



5) LL20-100783



6) LL20-100787



7) LL20-100786



8) LL20-100788



9) LL-143621

Model JS9110 Hillco Leveling System
For Serial Numbers JS9110-25001 thru JS9110-25999

| DECALS AND LITERATURE | | | | |
|-----------------------|----------------|------|------------------------------------|---|
| REF. | PART NO. | QTY. | PART NAME | DESCRIPTION |
| 1 | LL-133741 | 1 | LABEL, GREASE 50 HRS | OC BULKHEAD |
| 1 | LL-133741 | 2 | LABEL, GREASE 50 HRS | RIGHT & LEFT MAIN LEV CYL BOTTOM |
| 1 | LL-133741 | 1 | LABEL, GREASE 50 HRS | MASTER CYLINDER ROD |
| 2 | LL-151041 | 2 | DECAL, HILLSIDE LEVELING SYSTEM | SIDE OF COMBINE |
| 3 | LL-153691 | 2 | DECAL, 20 YEAR ANIVERSARY | SIDE OF COMBINE |
| 4 | LL20-100782 | 1 | CAUTION LEVELING SYSTEM CAB | WINDOW IN CAB |
| 5 | LL20-100783 | 2 | DANGER, CRUSHING HAZARD | RIGHT & LEFT UNDERCARRIAGE |
| 5 | LL20-100783 | 2 | DANGER, CRUSHING HAZARD | SIDES OF DROP AXLE ASSEMBLY |
| 6 | LL20-100784 | 2 | DECAL, DANGER PINCH POINT | RIGHT & LEFT UPPER TRANS FACE PLT |
| 7 | LL20-100786 | 1 | WARNING ELECTRICAL CRUSHING HAZARD | FRONT OF ELECTRICAL CONTROL BOX |
| 8 | LL20-100787 | 1 | CAUTION - LEVELING SYSTEM HAZARD | ON LADDER PLATFORM |
| 9 | LL20-100788 | 1 | DANGER - HYDRAULIC HAZARD | ON SIDE OF COMBINE ABOVE THE HYDRAULIC MANIFOLD |
| 9 | LL20-100788 | 2 | DANGER - HYDRAULIC HAZARD | FOR EACH LEVELING CYLINDER |
| 10 | LL-143621 | 2 | DANGER, AVOID CRUSHING INJURY | IN AREA NEAR SAFETY STOP STORAGE LOCATION |
| NS | LL-147651 | 1 | LABEL, FEMA MEMBER TAG | NEAR SERIAL NUMBER TAG |
| NS | LA-255961 | 1 | TAG, SERIAL NUMBER | |
| NS | LL-289641 | 1 | CM LABEL, MECHANICAL CYLINDER STOP | |
| NS | D-120620CMA01A | 1 | MANUAL, PARTS | |
| NS | D-111124CMA01B | 1 | MANUAL, OPERATORS | |
| NS | D-050611SLR01 | 1 | WARRANTY REGISTRATION CARD | |
| NS | LL-239412 | 1 | LABEL, STEERING WHEEL | TIED TO STEERING WHEEL DURING INSTALLATION |
| NS | D-120412CMA01 | 3 | DEALER PDI & INSTALL CHECKLIST | |

Model JS9110 Hillco Leveling System
For Serial Numbers JS9110-25001 thru JS9110-25999

Notes