

Model JH9110 Hillco Leveling System
For Serial Numbers JH9110-25001 thru JH9110-25999



Model JH9110 Hillside Leveling System Parts Manual

SN JH9110-25001 thru JH9110-25999
For John Deere S7 800 & S7 900
S Series Combines

D-250826DMC01



JH9110 Hillside Leveling System

For S7 800 & S7 900 S Series Combines

Table of Contents

General Information.....	3
Serial Number Location	3
Text and Illustrations	3
Abbreviations	3
Right and left Identification	3
Part Orders	3
Transition.....	4
Beaterless Transition	4-8
Beaterless Position Sensor	8
Carriage.....	9
Overcarriage	10
Undercarriage	12
Carriage Misc. Parts	13
Carriage Position Sensor	14
Drive Wheel.....	16
Drop Axle.....	17
Hydraulic Components.....	18
Code 62	19
Leveling Manifold	21
Header Trim Manifold	23
John Deere Header Lift Manifold Fittings	25
Hydraulic Hoses	26
Ladder	28
Electrical.....	30
Controller	30
Wiring Harnesses	31
Monitor	32
Decals and Literature.....	33

Contact Information

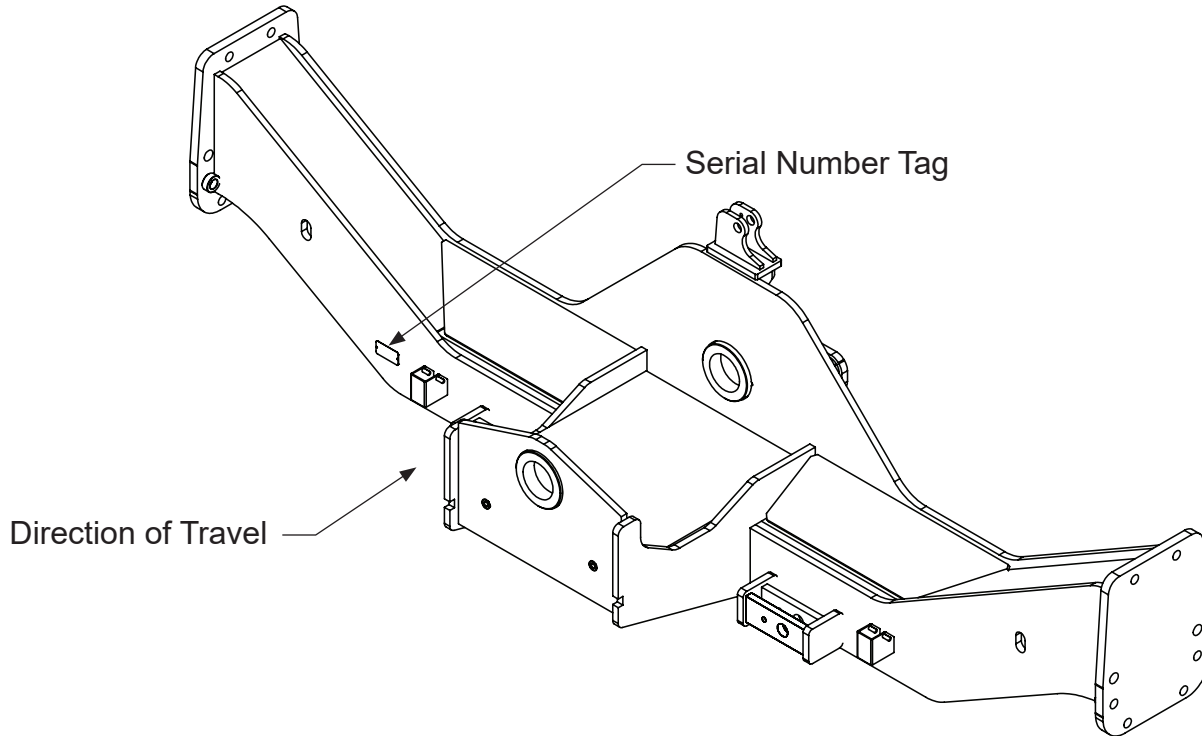
Hillco Technologies, Inc.
1010 1st Avenue
Nezperce, Idaho 83543

Phone 800-937-2461
208-937-2461
Fax 208-937-2280

www.hillcotechnologies.com
email: support@hillcotechnologies.com

GENERAL INFORMATION

SERIAL NUMBER LOCATION



TEXT AND ILLUSTRATIONS

The arrangement of this parts catalog is for easy identification of parts. All parts are illustrated in exploded views in proper relation to each other. Some diagrams refer to other pages for further information. Reference numbers used in the illustrations refer to line numbers in the part lists. The part lists appear to the right or below all diagrams and correspond with those diagrams. Included in the part lists, along with the reference numbers are part numbers, part descriptions and the quantity of the part required per leveling system.

ABBREVIATIONS

SN “Serial Number” refers to the serial number given to each leveling system (by Hillco Technologies), as well as the serial number given to the combine (by the specific combine manufacturer) the leveling system is installed. See above for the leveling system’s serial number location. This abbreviation is used interchangeably in both instances. Each Model JH9110 Leveling System uses the following serial number format: JH9110-XXXXX (sequential numbers).

ASM “Assembly” refers to a whole grouping of parts (shown in the diagram corresponding with the page where “ASM” is shown unless otherwise noted). Some assemblies have parts that are sold separately, however some must be purchased as a single unit. Hillco Product Specialists will be able to assist you with any questions.

NS “Not Shown” refers to a part that is not depicted in the illustration.

RIGHT AND LEFT IDENTIFICATION

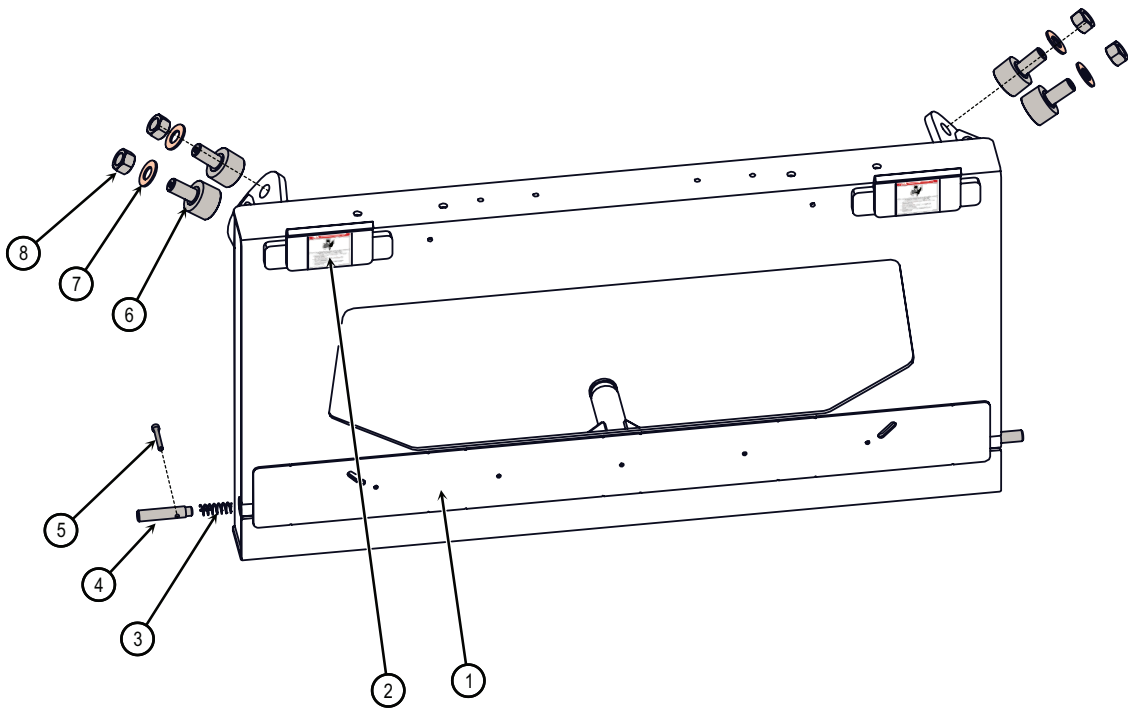
The reference to right-hand and left-hand in this catalog is identified by the operator sitting in the operator’s seat, looking toward the front of the machine (in normal forward travel).

PART ORDERS

Orders must specify product model, serial number, correct part number, complete description, quantity required, method of shipment, shipping address, and billing address.

Model JH9110 Hillco Leveling System
 For Serial Numbers JH9110-25001 thru JH9110-25999

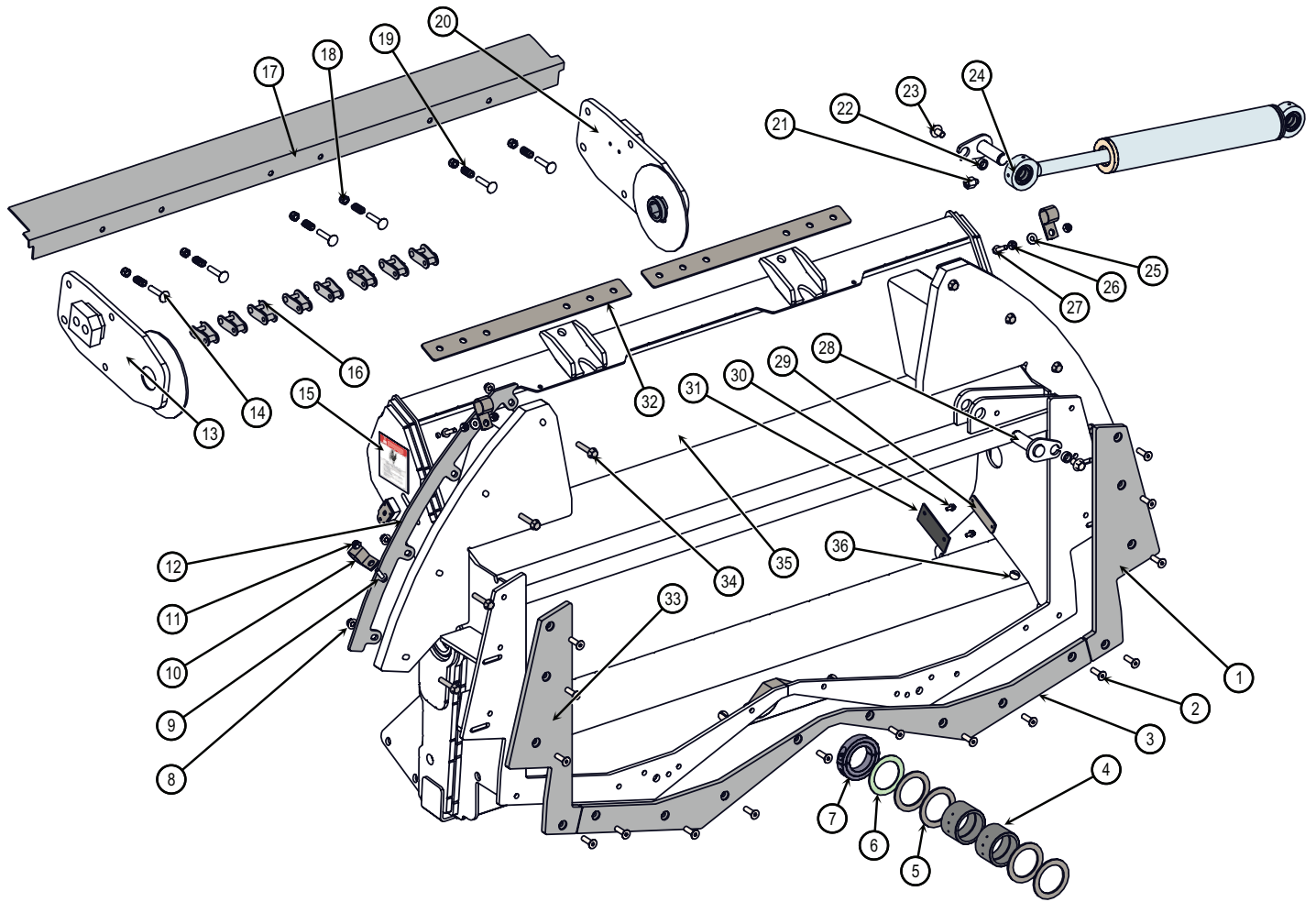
Beaterless Transition Header Adapter



Beaterless Header Adapter			
BOM ID	Part No.	Qty	Description
1	1374441	1	HEADER ADAPTER
2	100784	2	PINCH POINT
3	135531	2	1" OD X 2-7/8"L X .0625W
4	1229193	2	LOCKOUT PIN
5	159.010.070	2	M10-1.5x70
6	156096	4	BEARING, TRACK ROLLER, NON-FLANGED
7	133.020	4	WASHER,L9, FLT, HD, 1-1/4
8	177.020	4	NUT,HX,GR8 1-1/4-12

Model JH9110 Hillco Leveling System
For Serial Numbers JH9110-25001 thru JH9110-25999

Beaterless Transition Throat



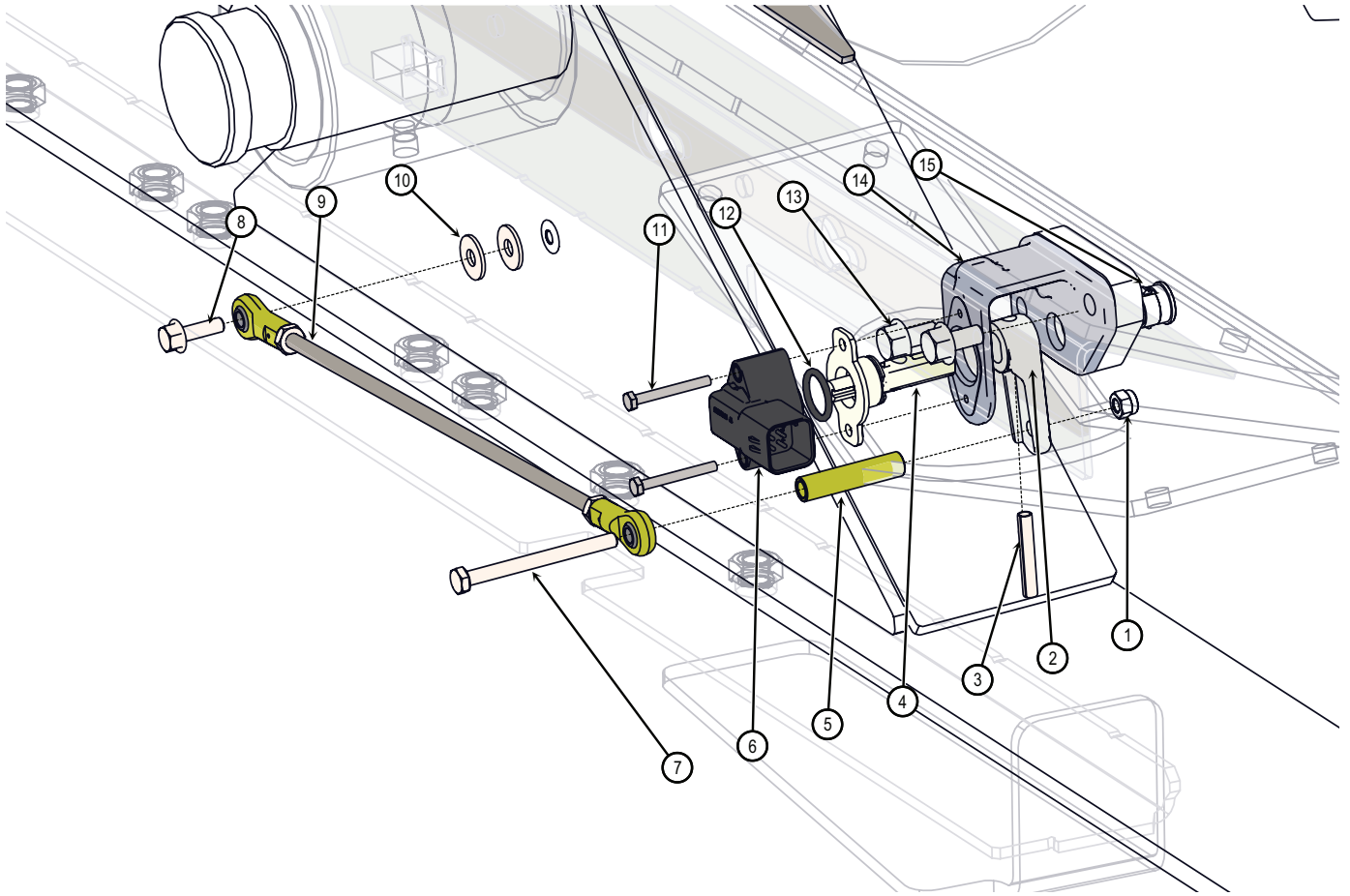
Model JH9110 Hillco Leveling System
For Serial Numbers JH9110-25001 thru JH9110-25999

Beaterless Throat			
BOM ID	Part No.	Qty	Description
1	1374551	1	WEAR PAD, LEFT
2	164.010.035	16	SCREW, FHSC, CL10.9 M10X35
3	1374541	1	WEAR PAD, MIDDLE
4	LM-226831	2	TM BUSHING, PIVOT
5	162.010.040	4	BUSHING, MACH, NR, 10GA, 2-1/2 ID
6	162.014.040	1	14GA, 2-1/2ID
7	150742	1	2-1/2 ID 3-3/4 OD
8	128.01	24	NUT, HX, FL, STV, CL10 M10
9	122.008.025	1	M8X25
10	143601	3	1-1/8"OD, R/C, 3/8"HOLE
11	123.008	3	M8x1.25
12	1374531	2	WEAR PLATE, ROLLER
13	1374651	1	ARM, FEEDER DRUM, HFA, RIGHT
14	163.010.050	6	M10x50
15	100784	2	PINCH POINT
16	146641	8	CA557
17	1370381	1	FLEX FLOOR
18	191.010	10	CL8 M10
19	143591	6	.125WIREx1.09Lx.703OD
20	1374661	1	ARM, FEEDER DRUM, HFA, LEFT
21	135881	2	1/4-28Mx1/8FNPTF, LINCOLN
22	1351031	2	BUSHING, CYLINDER PIN
23	122.012.020	2	M12X20
24	147491	1	2-1/2"B x 12-1/2S, 21"CPC
25	105.005	2	5/16"
26	128.008	2	M8x1.5
27	122.008.035	2	M8X35
28	1351591	2	CYLINDER PIN, TRIM
29	1323241	2	STIFFENER, SEAL
30	122.006.012	4	M6X12
31	1323252	2	SEAL
32	1370871	2	SPACER, TOP TORQUE PLATE
33	1374561	1	WEAR PAD, RIGHT
34	122.010.050	8	M10X50
35	1374261	1	THROAT
36	181.010.025	4	SCREW, PHM, SH M10X25

Model JH9110 Hillco Leveling System
For Serial Numbers JH9110-25001 thru JH9110-25999

Beaterless Throat Parts			
BOM ID	Part No.	Qty	Description
NS	1138953	1	HLB-02x40", -02MP SWVL STRx1/8-27NPSM STR
NS	1295342	1	SENSOR HARNESS
NS	1356311	1	HLB-02X12"; -02MP STR SWVL x 1/8-27 NPSM STR
NS	1371021	1	100R17AR-04X66; -6FF STR X -6FF STR
NS	1371031	1	100R17AR-04X76; -6FF STR X -6FF STR
NS	1375841	1	HLB-02X20"; -02MP STR SWVL x 1/8-27 NPSM STR
NS	1376031	1	100R17AR-06X33"; -6FF STR X -6MF STR
NS	1376041	1	100R17AR-06X11"; -6FF STR X -6MF STR
NS	1003.06.06	1	-6MORB X -6MORFS
NS	1006.06.06	2	-6FORFS x -6MORFS
NS	1008.06	1	SWIVEL NUT, RUN, -6ORFS
NS	1009.06	1	STR THD, BRANCH,
NS	105.004	1	WASHER,FLT 1/4
NS	1074.02	1	1/8FNPT X 1/8FNPT
NS	122.006.020	1	M6X20
NS	123.006	1	M6 X 1.0
NS	133741	2	LABEL, GREASE, 50 HRS
NS	138011	3	ZERK, GREASE 1/4-28 STRAIGHT
NS	142.004.048	4	PIN, COTTER 1/4 X 3
NS	143601	1	CLAMP,HOSE,1-1/8",R/C,3/8 HOLE
NS	155158	3	BULKHEAD, LOCKNUT 1/8NPSM,, LINCOLN

Beaterless Transition Position Sensor



HFA Beater Transition Paddle			
BOM ID	Part No.	Qty	Description
1	191.006	1	NUT,M6x1.0
2	151351	1	ARM, SENSOR
3	201.006.036	1	M6X36
4	151401	1	(JD#AXE14888)
5	1370431	1	SPACER, SENSOR LINKAGE
6	151381	1	HALL 2CH +/-120DE
7	121.006.070	1	M6x70
8	122.006.020	1	M6X20
9	1370441	1	SENSOR LINKAGE, 13-3/8"
10	105.004	2	1/4"
11	170.004.035	2	M4x35
12	151391	1	(JD#P48347)
13	121.008.016	2	M8X16
14	151321	1	(JD#HXE16001)
15	151361	1	(JD#R41076)

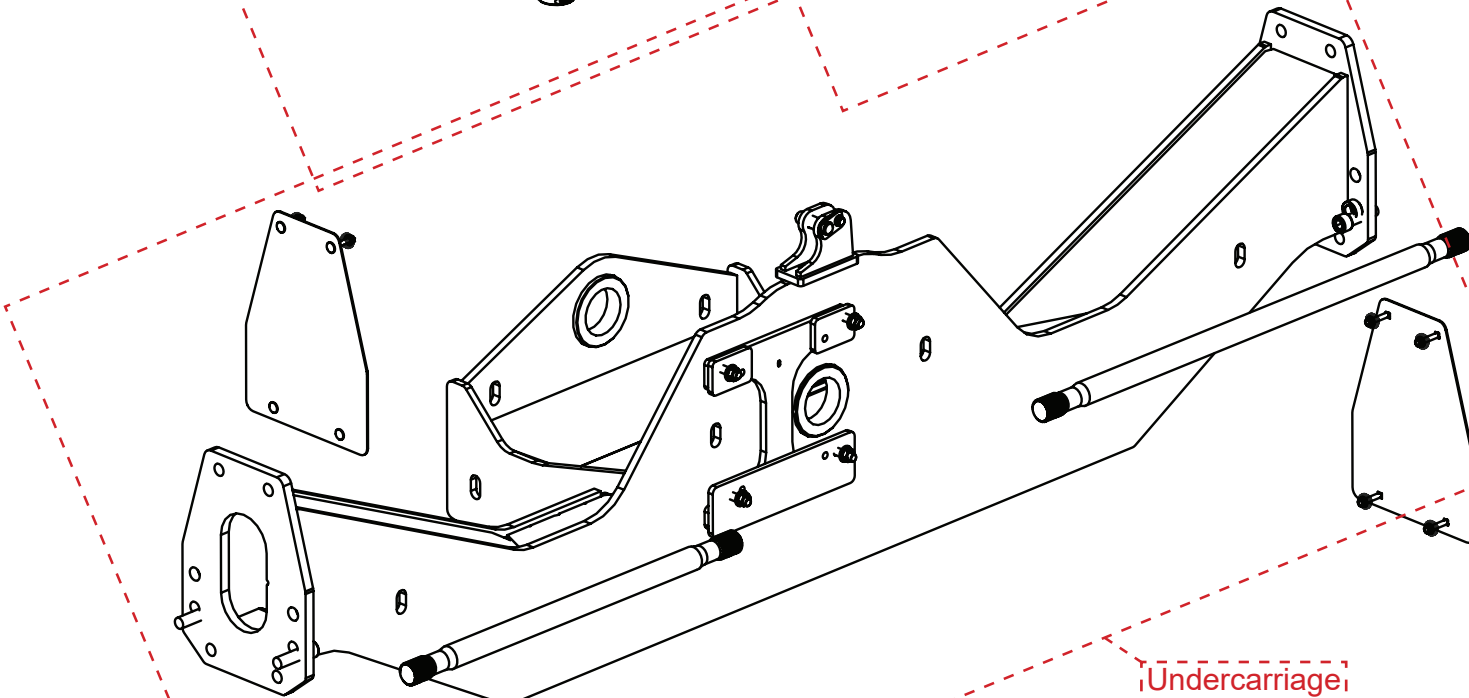
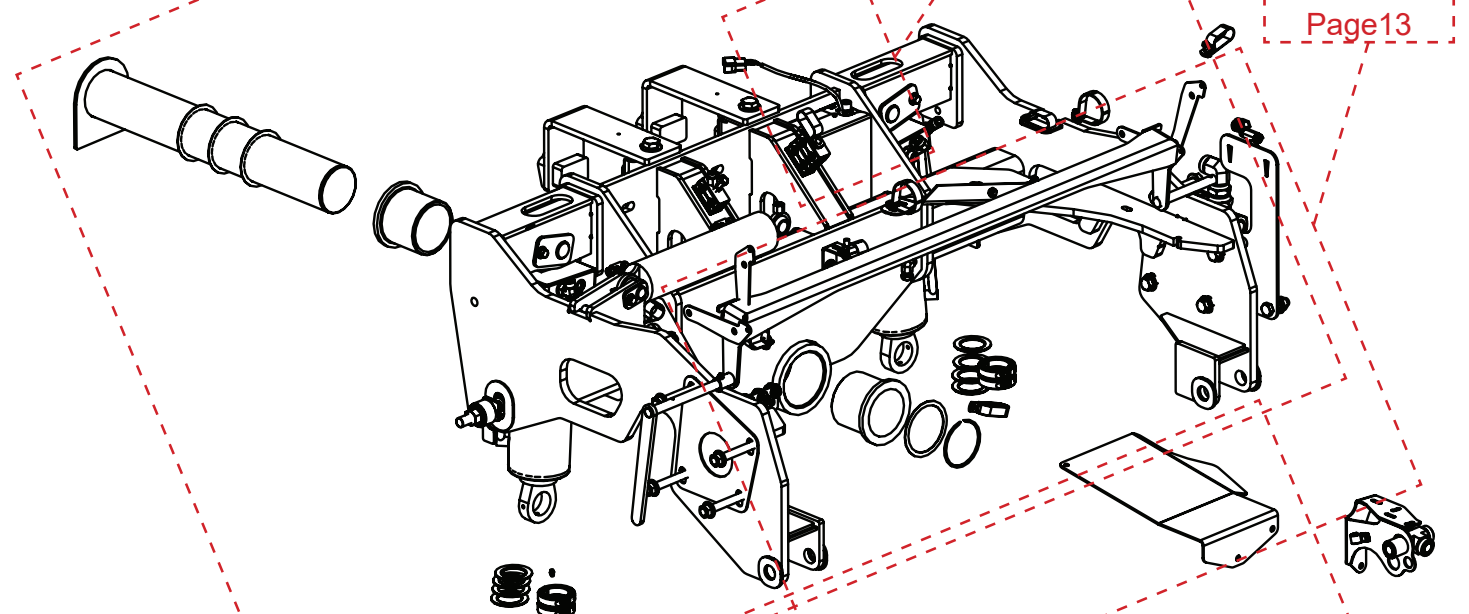
Model JH9110 Hillco Leveling System
For Serial Numbers JH9110-25001 thru JH9110-25999

Carriage

Overcarriage
Page 10

Carriage
Position Sensor
Page 14

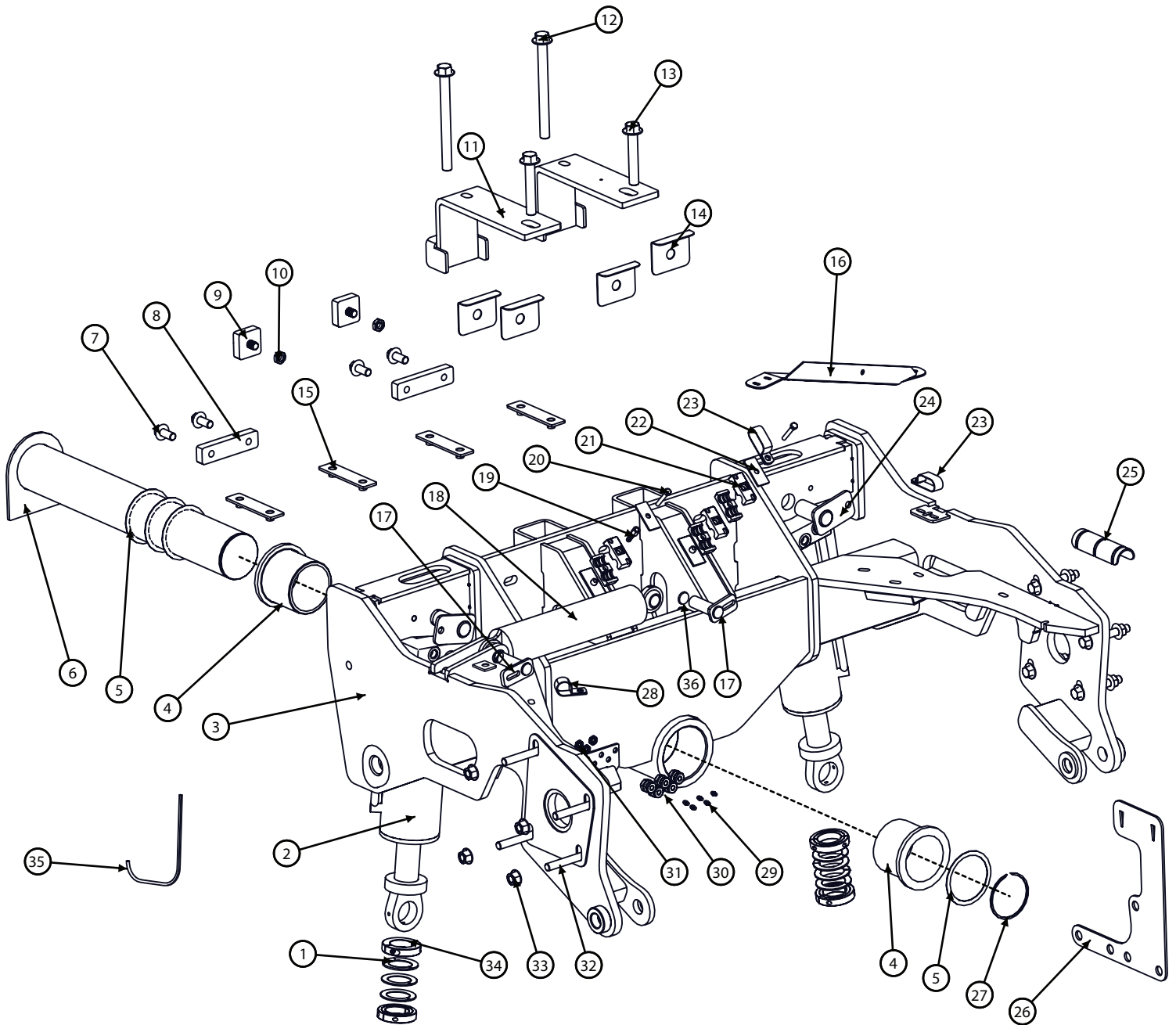
Misc.
Carriage
Parts
Page 13



Undercarriage
Page 12

Model JH9110 Hillco Leveling System
For Serial Numbers JH9110-25001 thru JH9110-25999

Overcarriage

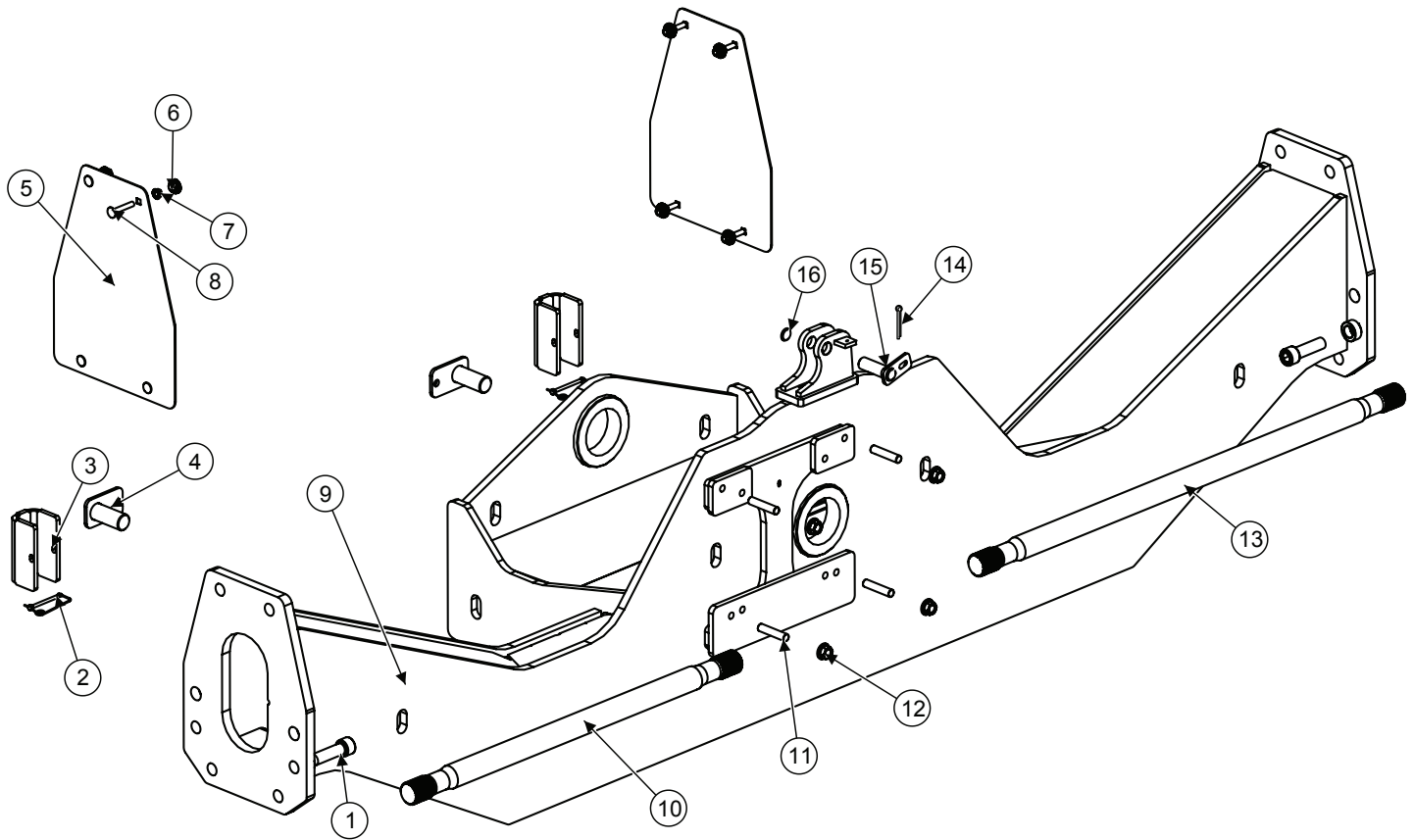


Model JH9110 Hillco Leveling System
For Serial Numbers JH9110-25001 thru JH9110-25999

Overcarriage			
BOM ID	Part No.	Qty	Description
1	137501	8	WASHER, QUICK REPAIR
2	155860	2	CYLINDER, LEVELING, DUAL CB VALVE,
3	1291335	1	OVERCARRIAGE
4	1247961	2	PIVOT BUSHING
5	138641	4	WASHER; 4.016ID X
6	1291351	1	PIVOT PIN
7	122.016.035	4	BOLT,HX,FL,CL10.9 M16X35
8	1291731	2	CARRIAGE LOCK
9	1293581	2	UPPER CARRIAGE SHIM
10	165.016	2	NUT,HX,JAM,CL8 M16
11	1293631	2	AXLE CLAMP
12	122.020.220	2	BOLT,HX,FL,CL10.9 M20
13	122.020.120	2	BOLT,HX,FL,CL10.9 M20
14	1270042	4	CARRIAGE SHIM
15	1293561	4	LOWER CARRIAGE SHIM
16	1274902	1	SUPPORT, HYDRO HOSE
17	1345961	2	CYLINDER PIN, TRIM
18	140342	1	CYLINDER, CROSS PORT
19	155409	1	STACK BOLT, BEHRINGER
20	101.005.028	2	BOLT,HX,GR5 5/16-18 X 1 3/4
21	139481	3	CLAMP, TWIN, BEHRINGER -.620
22	139231	2	COVER PLATE,TWIN
23	147781	2	CLAMP, DOUBLE LOOP
24	1230552	2	PIN, MAIN CYLINDER
25	155254	1	HOSE PROTECTOR, 2.5W X 6"
26	1297822	1	MANIFOLD SPACER
27	138651	1	SNAP RING; 4"
28	151311	1	CLAMP, RC 1-1/4"
29	138011	5	ZERK,STR, 1/4-28MTAPER
30	155157	5	BULKHEAD,GREASE,STR,
31	155158	5	BULKHEAD,LOCKNUT
32	122.016.120	8	BOLT,HX,FL,CL10.9 M16X110
33	123.016		NUT,HX,FL,CL10 M16
34	153241	4	COLLAR, CLAMPING
35	10130.00096	1	VINYL EDGE TRIM AROUND HYDRAULIC HOSES
36	148.016	2	SNAP RING; 1"

Model JH9110 Hillco Leveling System
 For Serial Numbers JH9110-25001 thru JH9110-25999

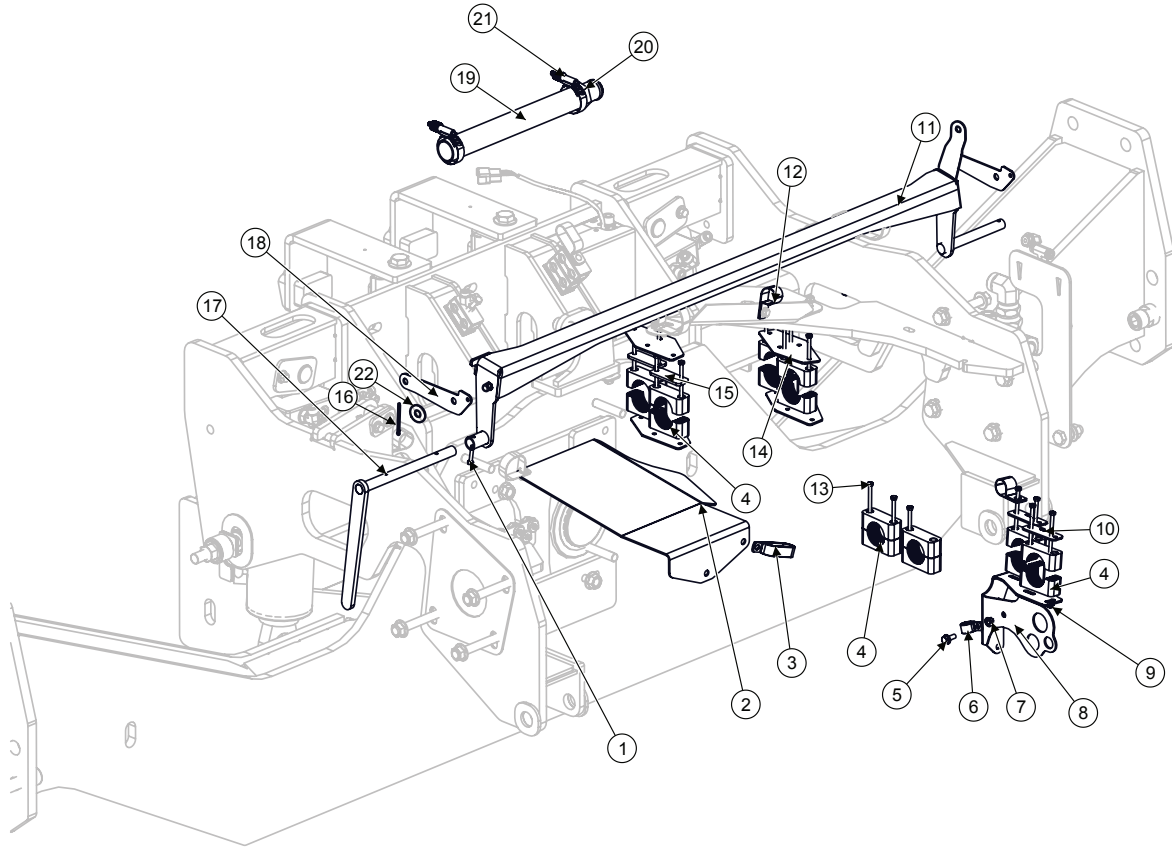
Undercarriage



Undercarriage			
BOM ID	Part No.	Qty	Description
1	159.024.080	4	SHCS 12.9-M24 X 3 X 80 PLT
2	146.004.048	2	SNAP LOCK PIN 1/4 X 3
3	1306721	2	CM PLT, CYLINDER STOP
4	1230552	2	CM PIN ASM, MAIN CYLINDER
5	1293831	2	CM SHT, CAP, AXLE
6	151021	8	BUSHING, PLASTIC (JD#Z31550)
7	123.010	8	FLHN-10.9 M10 X 1.50
8	163.010.050	8	CARR-8.8M10X1.5X50 HEAD SCREW
9	1291433	1	CU WLD, UNDERCARRIAGE, 122.5
10	151531	1	SHAFT, DRIVE 951MM
11	155.016.075	4	STUD, DOUBLE-10.9 M16X2.00X75
12	F-HNF-16ME	4	FLHN-10.9M16X2.0
13	151541	1	SHAFT, DRIVE 1228MM
14	142.004.048	1	BOLT,HX,FL,CL10.9 M10X20
15	1345961	1	CYLINDER PIN, TRIM
16	148.016	2	SNAP RING; 1"

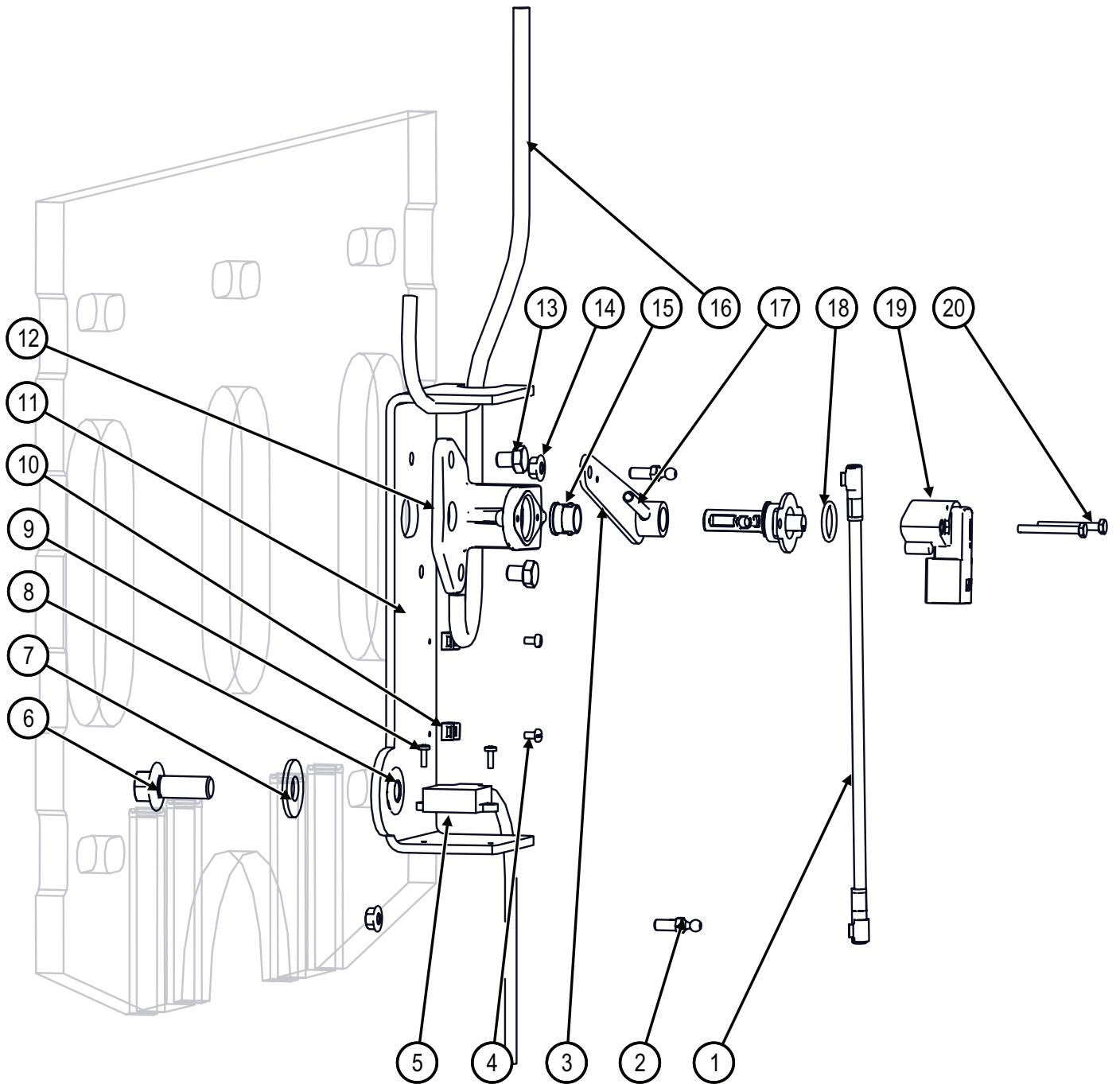
Model JH9110 Hillco Leveling System
 For Serial Numbers JH9110-25001 thru JH9110-25999

Carriage Misc. Parts



Overcarriage Misc.			
BOM ID	Part No.	Qty	Description
1	121.006.035	1	HC-10.9 M6x1.0X35
2	1274252	1	HM PLT, TABLE HYDRO HOSE
3	1151781	1	CLAMP, P-STYLE (JD#AH77884)
4	15571	8	CLAMP, TUBE, 1-3/4" BEHRINGER STD
5	122.008.025	1	BOLT, HX, FL, CL 10.9 M8X25
6	135791	1	CLAMP, HOSE 7/8 R/C W 3/8 HOLE (JD#AH78237)
7	123.008	1	FLHN-10.9M8X1.25
8	1297312	1	LM WLD, HYDRO HOSE SUPPORT
9	123.006	4	NUT, HX, FL, CL 10 M6
10	140651	2	BEHRINGER STD COVER PLATE
11	1264512	1	LM ASM, LINKAGE, ROCK TRAP
12	143601	2	CLAMP, HOSE 1-1/8" R/C W 3/8
13	170.006.090	15	BOLT, HX, CL 8.8 M6X90
14	1274231	4	HM PLT, HYDRO HOSE SUPPORT
15	1276391	2	HM CLAMP SPACER
16	142.002	1	PIN, COTTER 1/8"x2"
17	1264501	1	HANDLE, ROCK TRAP
18	1290742	2	LM SHT, ROCK TRAP LINKAGE, UPPER
19	1276351	1	HOSE, 1-1/2" BELLOWS FLEX HARDWALL 14"
20	1063.24.24	1	UNION, -24MB x -24MB
21	152061	3	CLAMP, HOSE, WORM GEAR, 1.5" TO 2.5"
22	105.008	2	WASHER, FLAT 1/2

Carriage Position Sensor

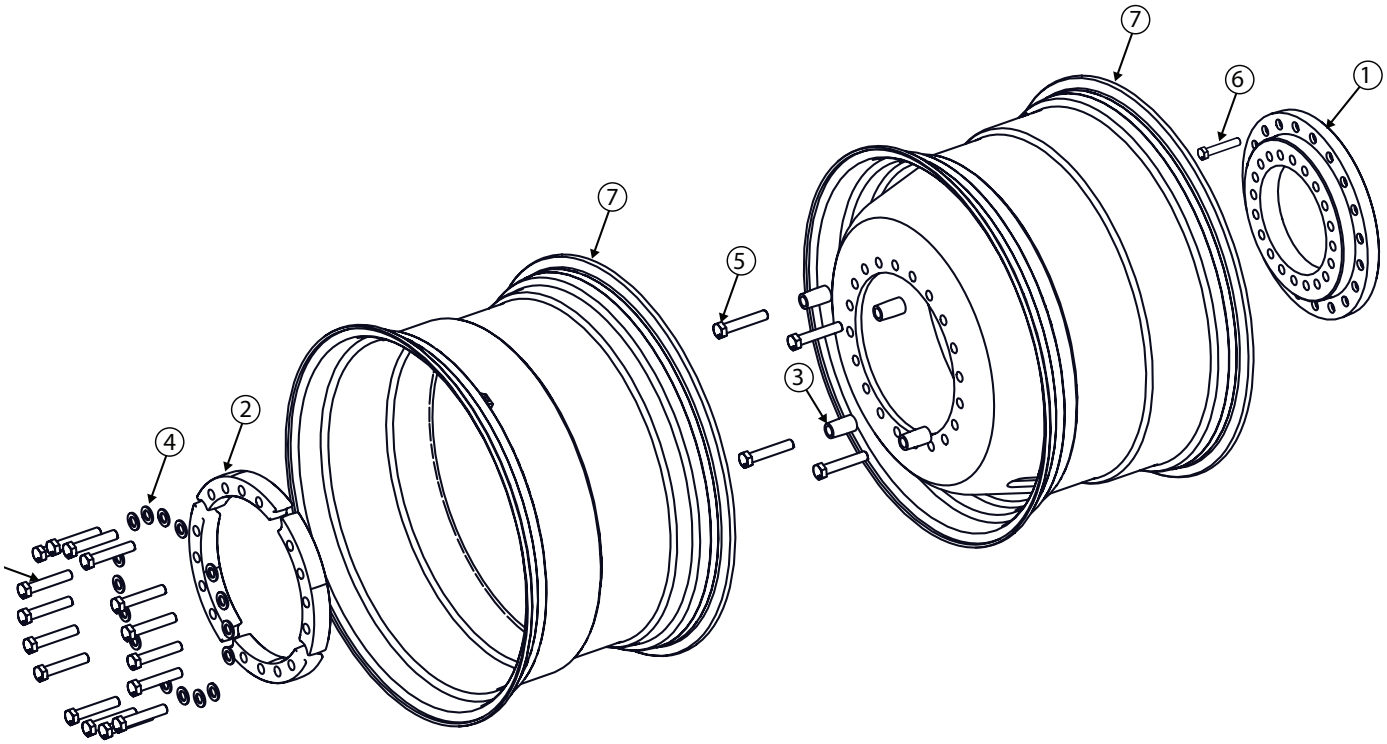


Model JH9110 Hillco Leveling System
For Serial Numbers JH9110-25001 thru JH9110-25999

Carriage Position Sensor			
BOM ID	Part No.	Qty	Description
1	Clip	1	AH160510
2	151341	1	(H168732)
3	151371	1	(AXE17303)
4	115.#06.008	1	SCREW,PHM,SH 6-32X1/4
5	1347142	1	CLINOMETER, MEMS, DUAL AXIS, 12VDC
6	122.012.030	1	M12X30
7	105.008	1	1/2"
8	123.012	1	M12x1.75
9	114.#06.006	1	6-32X3/8
10	153641	1	CABLE TIE MOUNT,
11	1347292	1	SENSOR MOUNT
12	151321	1	(JD#HXE16001)
13	178.008	2	M8X10
14	123.006	1	M6 X 1.0
15	151361	1	(JD#R41076)
16	1347161	1	SENSOR PACKAGE
17	201.006	1	M6X36
18	151391	1	(JD#P48347)
19	151381	1	HALL 2CH +/-120DE
20	170.004.035	1	M4x35

Model JH9110 Hillco Leveling System
 For Serial Numbers JH9110-25001 thru JH9110-25999

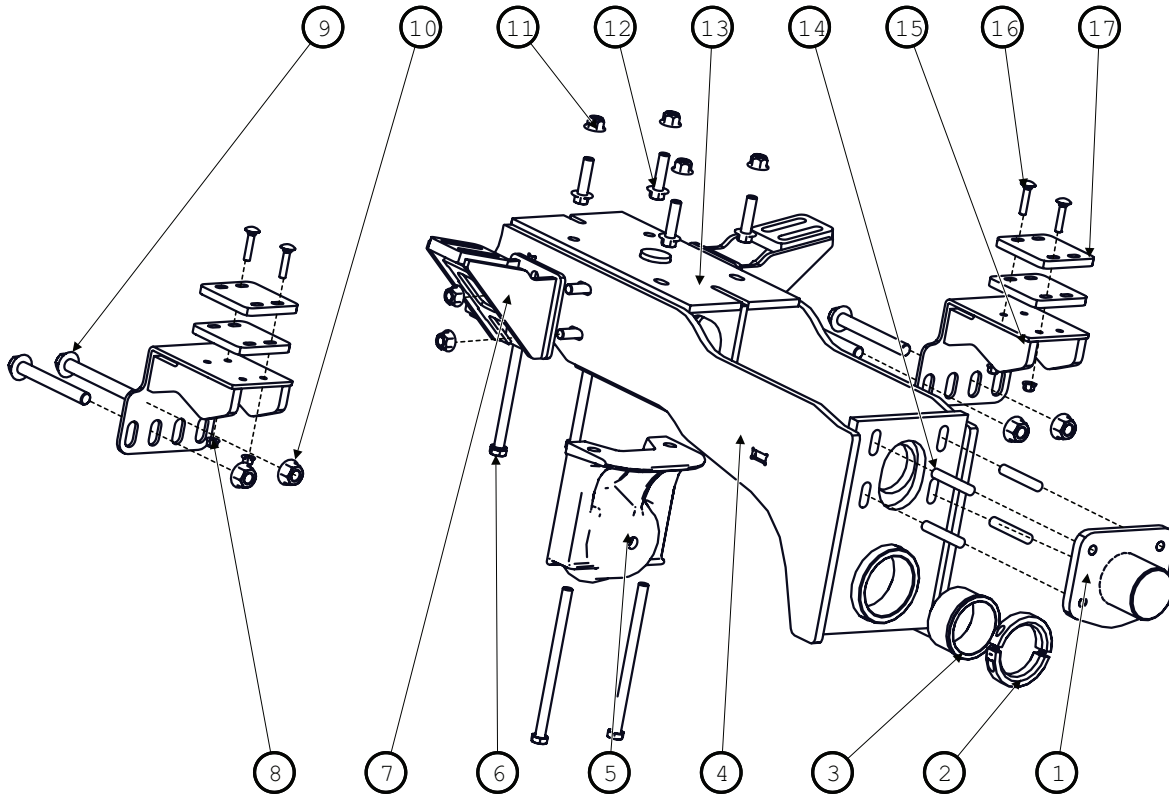
DRIVE WHEEL



38" Wheel & Adapter (QTY/SIDE)			
BOM ID	Part No.	Qty	Description
1	155937	1	ADAPTER, HUB 20-18.504 - 16.48
2	155936	4	SEGMENT, CAST
3	155935	4	SPACER, M24, TAPERED
4	155934	16	WASHER, M24, HARDENED STEEL
5	155933	20	BOLT, HEX, CL10.9 M24X3.0X130
6	HXE110758	20	BOLT, HEX FLANGE, MJ22X2.5X150, 10.9
7	155949	2	WHEEL, YELLOW
NS	155947	1	WHEEL, 26 X DW25B, 8-10.827BC, 8.725PILOT

Model JH9110 Hillco Leveling System
 For Serial Numbers JH9110-25001 thru JH9110-25999

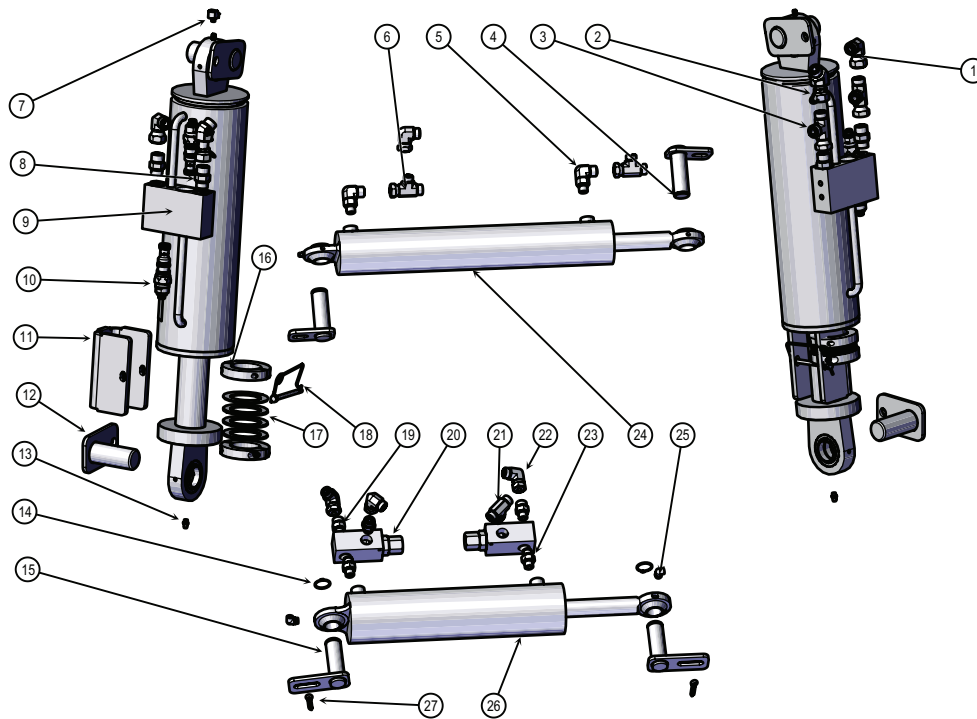
DROP AXLE



Drop Axle			
BOM ID	Part No.	Qty	Description
1	1291071	1	PIVOT PIN
2	145491	1	COLLAR, CLAMPING 3-1/2 X 4-3/4
3	1235092	1	BUSHING, PIVOT
4	1291022	1	DROP AXLE
5	152471	1	STAND-OFF, REAR AXLE
6	121.016.250	4	M16X250
7	1313541	2	WING
8	128.010	4	NUT,HX,FL,STV,CL10 M10
9	122.020.160	4	M20x160
10	123.020	4	NUT,HX,FL,CL10 M20
11	128.016	8	NUT,HX,FL,STV,CL10 M16X2.
12	122.016.060	4	M16X60
13	122.016.050	4	M16X50
14	155.016.090	4	STUD,DBL-END,CL10.9 M16X90
15	1299792	2	ROTATION STOP
16	163.010.050	4	M10x50
17	1299892	4	ROTATION STOP 16°

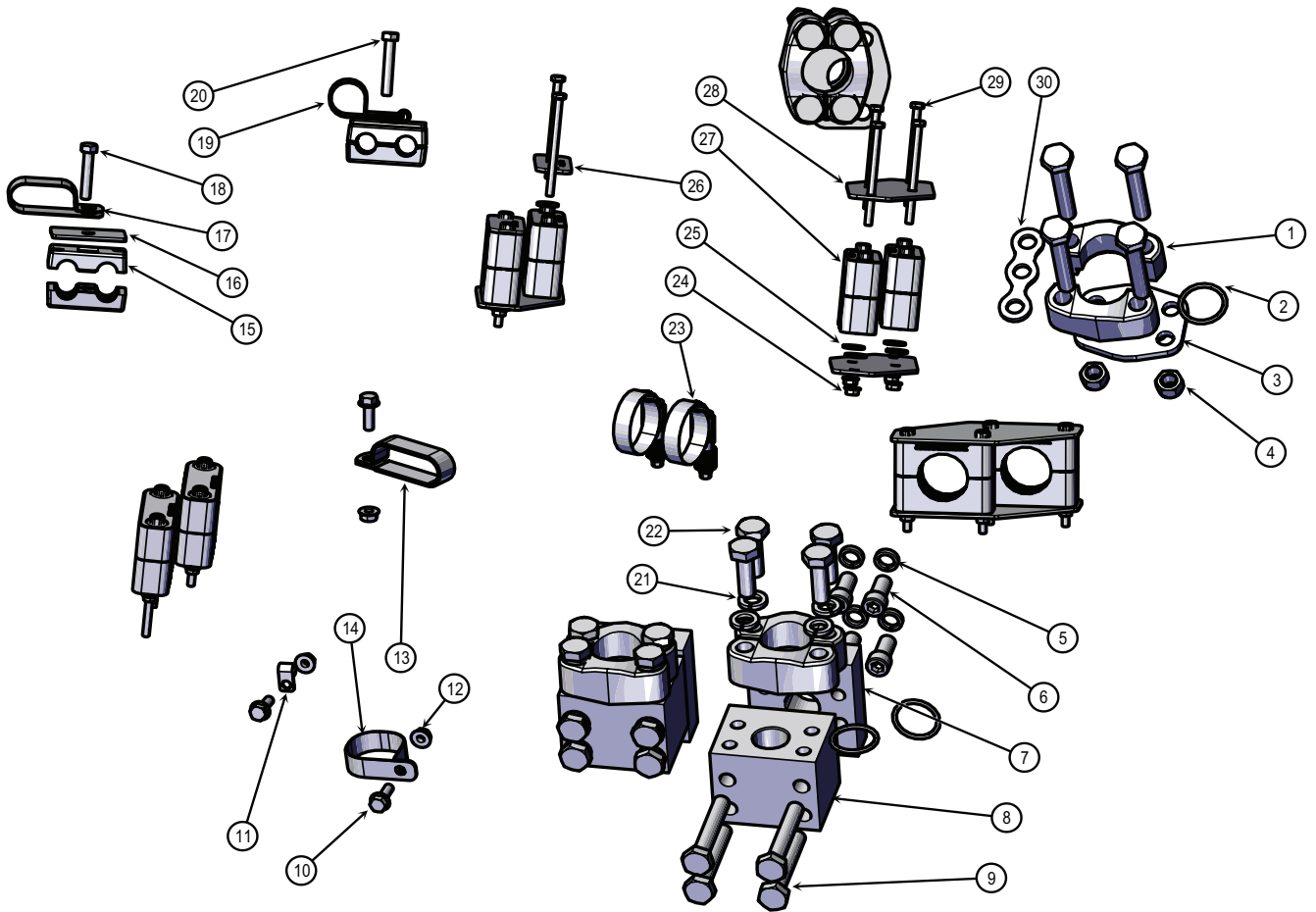
Model JH9110 Hillco Leveling System
For Serial Numbers JH9110-25001 thru JH9110-25999

Hydraulic Components



Hydraulic Components			
BOM ID	Part No.	Qty	Description
1	1006.08.08	2	HA, 90° -8FORFS X -8MORFS
2	1005.08.08	2	-6FORFS X -6MORFS
3	1008.08	2	SWV,NUT,RUN -8ORFS
4	1253884	2	CYLINDER PIN,
5	1003.06.06	2	-6MORB X -6MORFS
6	1008.06	2	SWIVEL NUT, RUN, -6ORFS
7	135761	2	1/4-28 MALE X 1/8 FPT 45 DEG
8	1001.08.08	4	HA,STR -8MORB X -8MORFS
9	155860	2	4-1/2 BORE, 11" STROKE, 22.5" CPC
10	155593	4	COUNTERBALANCE VALVE T11 CAVITY, 5K PSI
11	1293721	2	CYLINDER STOP
12	1230552	4	PIN, MAIN CYLINDER
13	138011	2	1/4-28MTAPER
14	148	2	EXT 1"
15	1345961	2	CYLINDER PIN,
16	153241	4	2"IDx3"OD
17	137501	8	3"ODx2"IDx1/8T
18	146.004.048	2	PIN,SNAP,LCK 1/4X3
19	1001.06.06	3	-6MORBx-6MORFS
20	155770	2	RELIEF VALVE ASM
21	1009.06	1	STR THD, BRANCH,
22	1006.06.06	4	COUNTERBALANCE VALVE -6FORFS x -6MORFS
23	1027.06.06	2	-6MORBx-6MORB
24	147491	1	CYLINDER, SLAVE, 21" CPC 12-1/2" STROKE, 2-1/2" BORE
25	135771	2	ADAPTER,GREASE,90°
26	140342	1	CYLINDER,MASTER 3"B,8-3/4"S,1-3/8"R,17-1/4CPC
27	142.004.016	2	PIN, COTTER 1/4" X 1"

Model JH9110 Hillco Leveling System
For Serial Numbers JH9110-25001 thru JH9110-25999

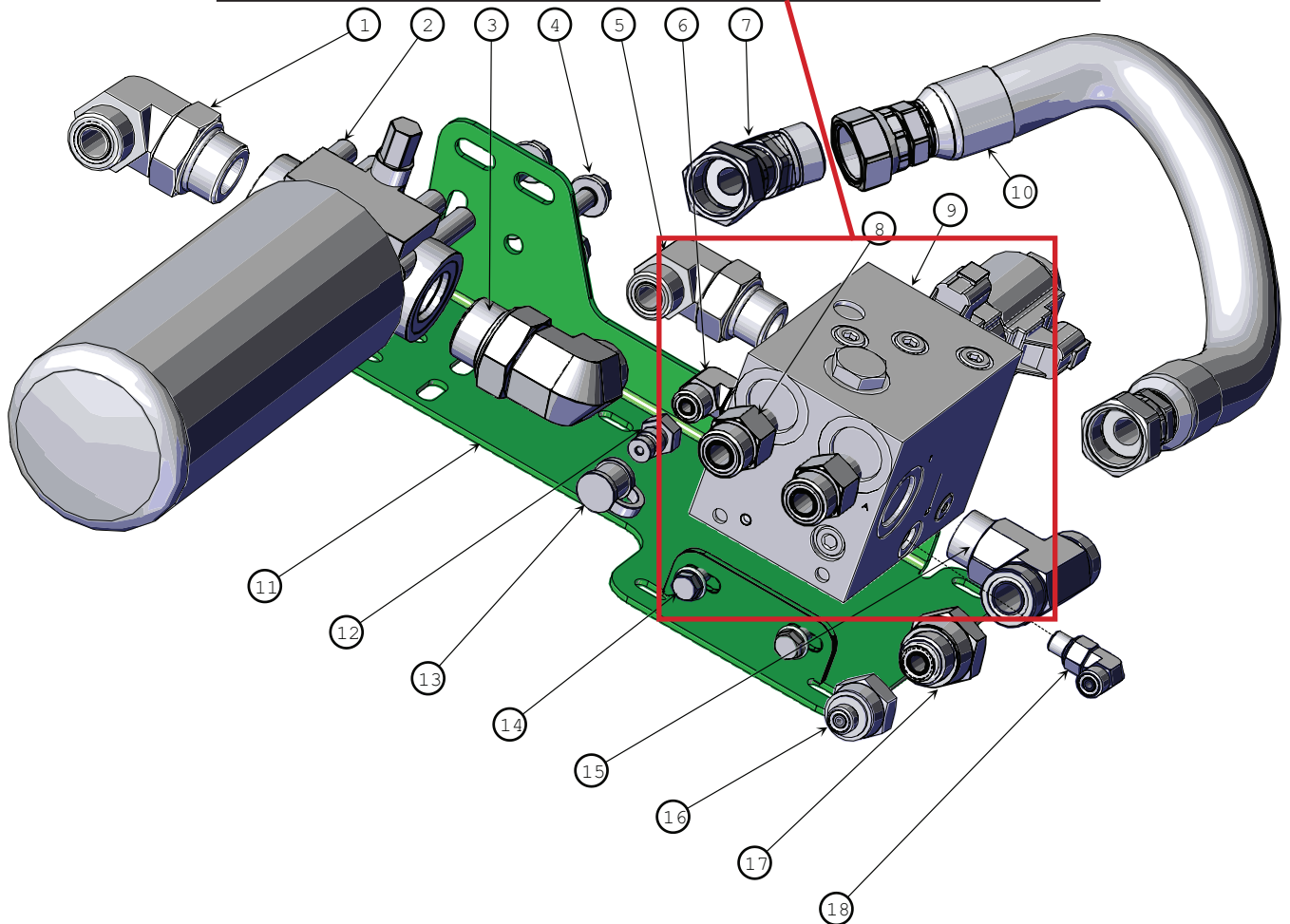
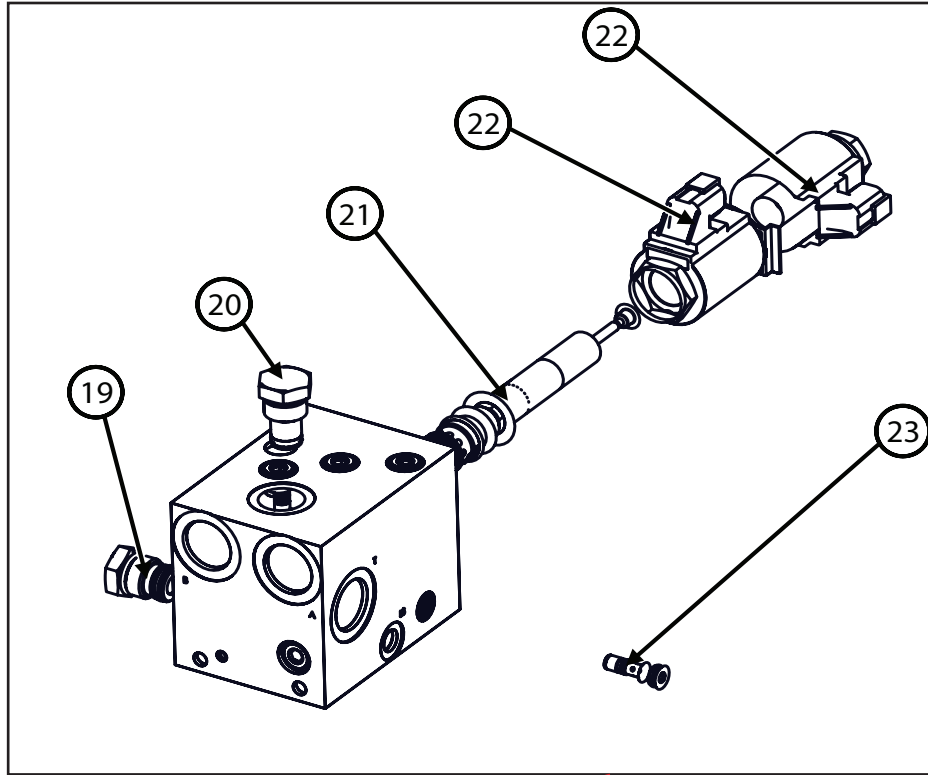


Model JH9110 Hillco Leveling System
For Serial Numbers JH9110-25001 thru JH9110-25999

Code 62			
BOM ID	Part No.	Qty	Description
1	147611	8	FLANGE, CODE 62, -20
2	147621	8	O-RING, CODE 62
3	1272161	2	HM PLT, CODE 62 1-1/4 UNION
4	126.014	8	NUT,HX,STV,CL10 M14
5	135.009	8	WASHER,LCK,HIGH COLLAR 9/16
6	159.014.030	8	SCREW,SHC,CL12.9 M14
7	LM-272092	2	CODE 62 90° 1-1/4 ROTATIONAL ADAPTER
8	LM-272082	2	HM BLOCK, CODE 62 1-1/4 90°
9	121.014.090	16	M14X90
10	122.008.025	3	M8X25
11	142101	2	LOOP, CLOSED, .375", R/C
12	123.008	4	NUT,HX,FL,CL10 M8
13	151781	1	1" W/3/8"HOLE
14	135781	1	2" R/C W/3/8 HOLE
15	139431	2	PAIR, 3/4"
16	139451	2	TWIN
17	147781	1	CLAMP 1/4" DOUBLE LOOP 3/8HOLE
18	101.005.028	1	5/16-18X1-3/4
19	136011	1	CLAMP R/C 3/8H 3/4T
20	101.005.032	1	5/16-18X2
21	139.009	16	WASH, LCK, HVY-SPLIT 9/16
22	121.014.045	8	M14X45
23	152061	2	1.5" TO 2.5"
24	123.006	18	NUT,HX,FL,CL10 M6
25	105.004	16	WASHER,FLT 1/4
26	140651	2	PLATE, COVER, GRP 6,
27	155171	8	1-3/4" (PAIR OF CLAMP HALVES)
28	1274231	5	HYDRO HOSE SUPP0RT
29	170.006.090	16	BOLT,HX,CL8.8 M6X90
30	1274391	1	HYDRO HOSE SPACER

Model JH9110 Hillco Leveling System
For Serial Numbers JH9110-25001 thru JH9110-25999

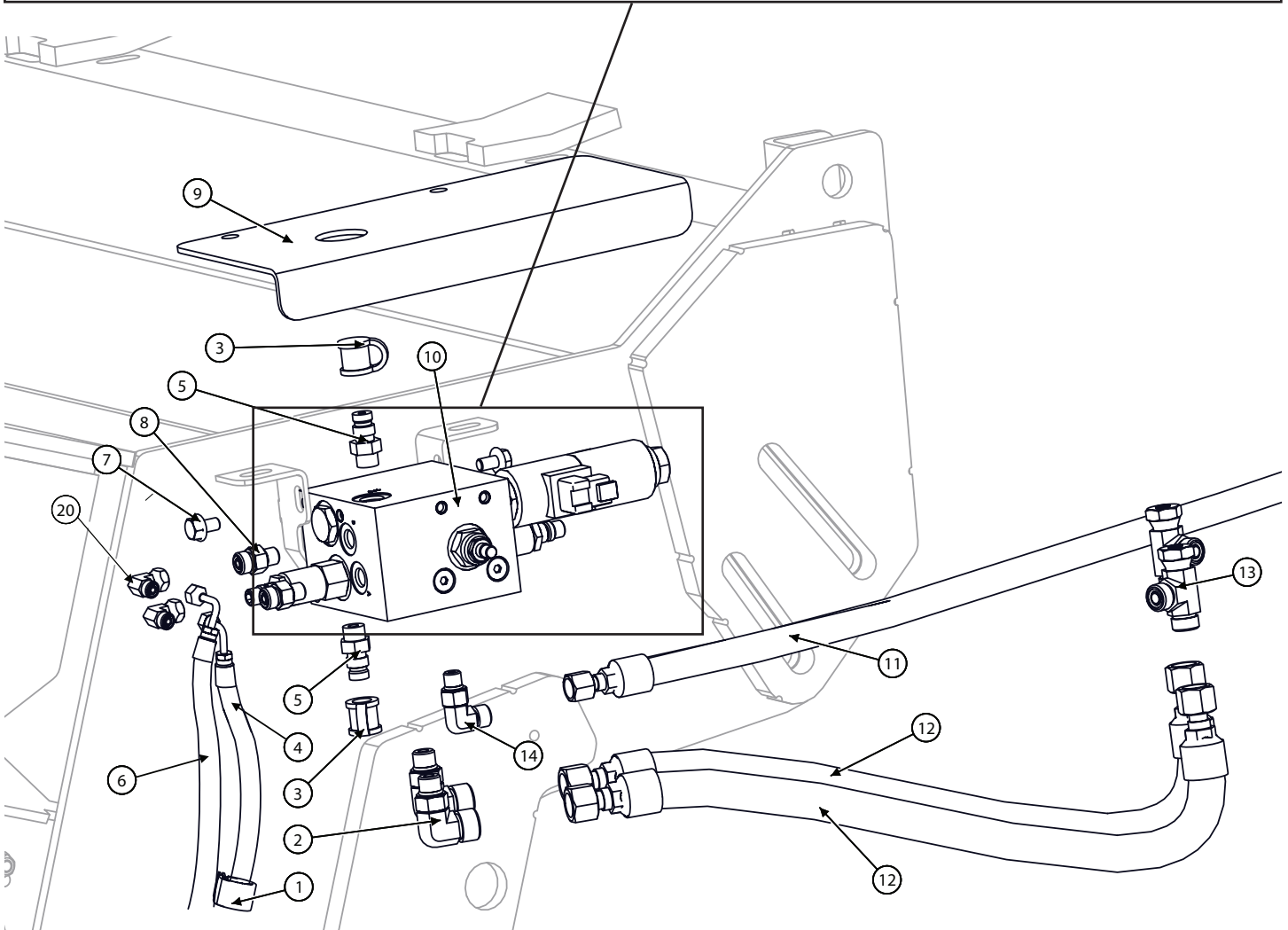
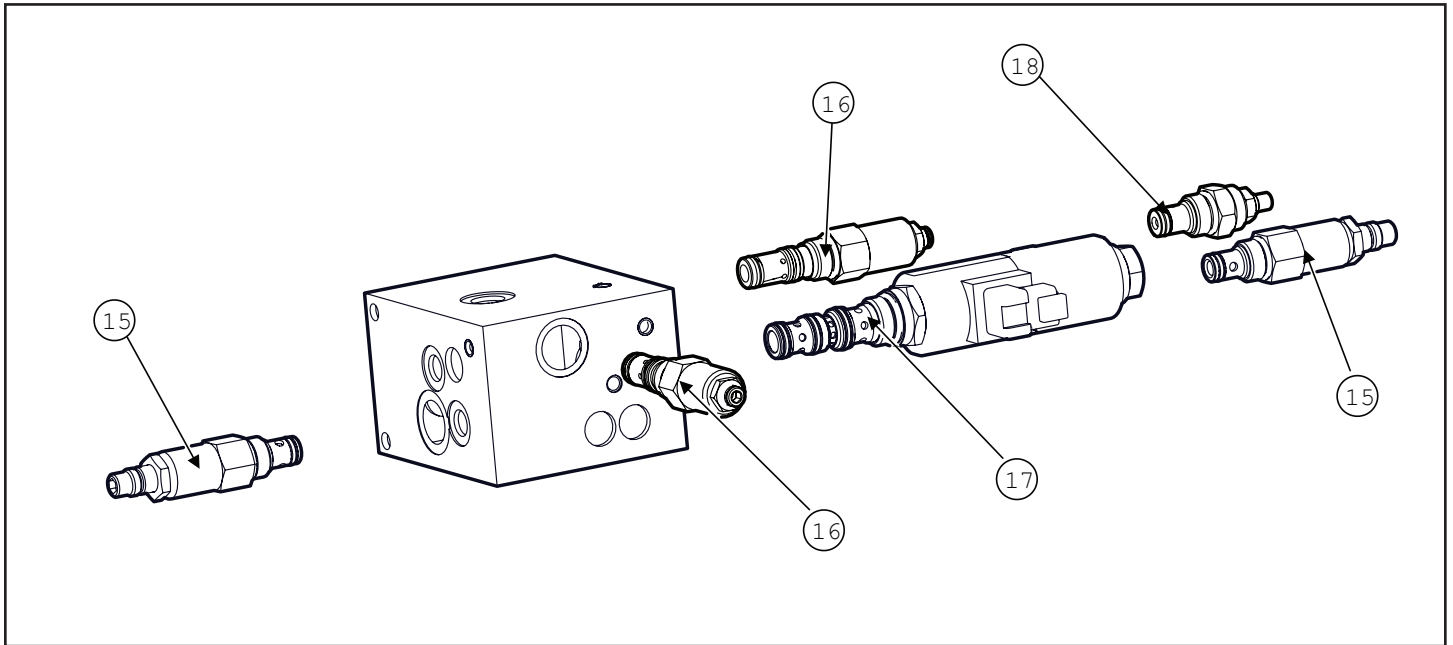
Leveling Manifold



Model JH9110 Hillco Leveling System
For Serial Numbers JH9110-25001 thru JH9110-25999

Leveling Manifold			
BOM ID	Part No.	Qty	Description
1	1003.16.16	1	90° -16MORB X -16MORFS
2	143441	1	OIL (AH125733)
3	1003.16.12	2	90° 16MORB X -12MORFS
4	122.010.020	4	BOLT,HX,FL,CL10.9 M10X20
5	1003.12.10	1	90° -12MORB X 10MORFS
6	1003.06.06	1	90° -6MORB X -6MORFS
7	1005.12.12	1	45° -12FORFS X -12MORFS
8	1001.12.10	2	STR -12MORB X -10MORFS
9	1343021	1	MANIFOLD, LEVELING, HIGH-FLOW (COMATROL P/N11191146)
10	1384281	1	HOSE 100R17AR-12x17-1/4" -12FORS STR X -12FORS STR
11	1384291	1	MOUNT, MANIFOLD
12	155173	1	QUICK-CONNECT HYD
13	144001	1	DUST COVER (JD#R77175)
14	111.005.008	4	BOLT,HX,FL, 5/16-18 X 1/2
15	1009.12	1	STR, THD, BRA, -12ORFS
16	1004.10.04	1	STR, -10FORFS X -4MORFS
17	1004.12.10	1	STR, -12FORFS x -10MORFS
18	1003.04.04	1	90° -4MORB X -4MORFS
19	155234	1	CAVITY PLUG, 3 WAY, 10 SERIES
20	155238	1	CAVITY PLUG, 2 WAY, 10 SERIES
21	155855	1	CARTRIDGE VALVE,3 POS,4 WAY, PROPORTIONAL, 16GPM
22	155854	2	SOLENOID COIL,M19,PROP,DEUTSCH
23	155236	1	CHECK VALVE, REVERSE DIRECTION

Header Trim Manifold

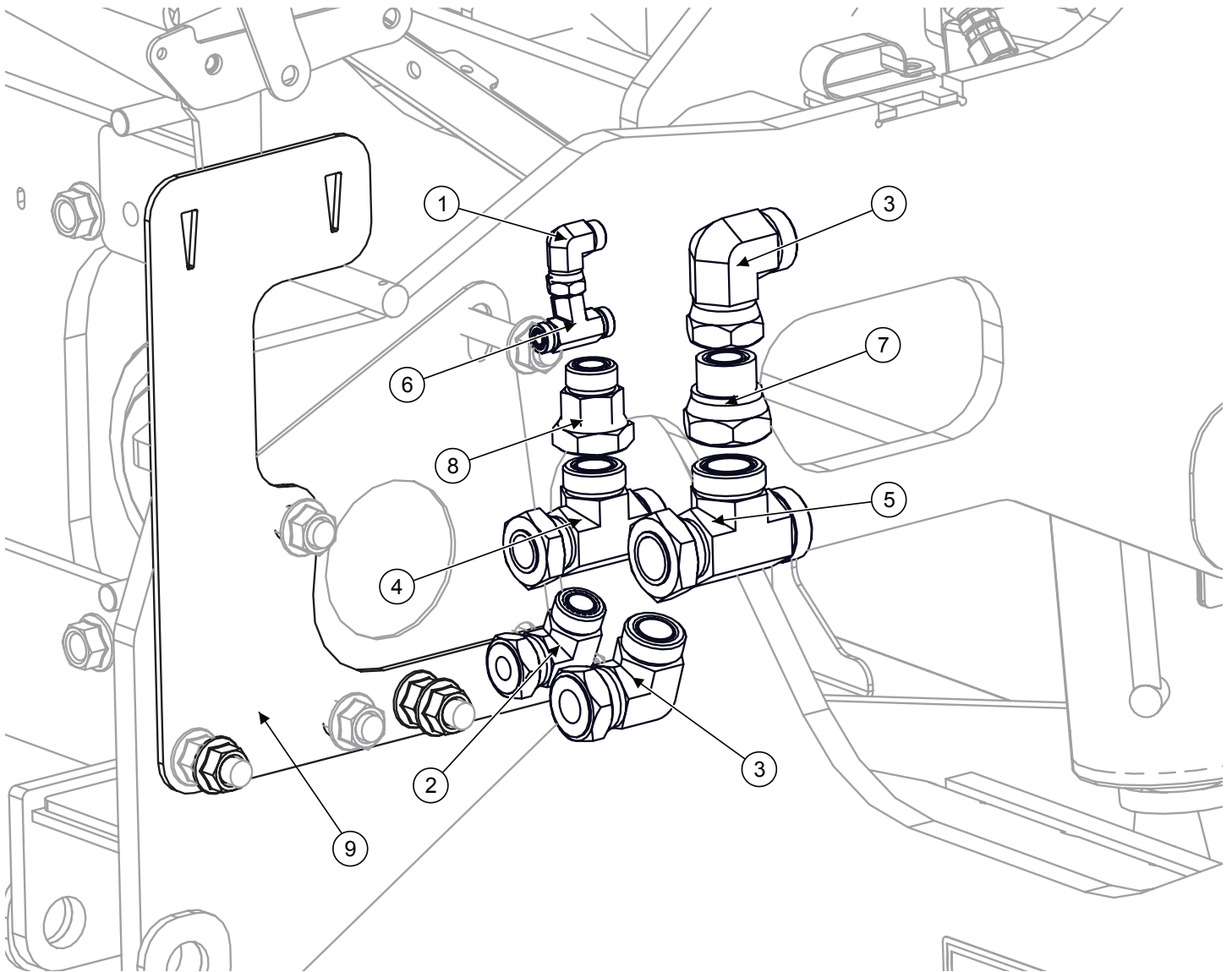


Model JH9110 Hillco Leveling System
For Serial Numbers JH9110-25001 thru JH9110-25999

Header Trim Manifold			
BOM ID	Part No.	Qty	Description
1	135791	2	CLAMP, HOSE
2	1003.08.06	2	-8MORB X -6MORFS
3	144001	2	DUST COVER
4	1322112	1	100R17-04 67",
5	143991	2	COUPLER,
6	1322101	1	100R17-04X80",
7	111.005.008	2	BOLT,HX,FL,GR5 5/16-18X1/2
8	1001.04.04	2	HA,STR
9	1316464	1	SHIELD, TRIM SHIELD
10	1331781	1	MANIFOLD, CUSTOM, TRIM
11	1320721	1	100R17AR-04X138",
12	1320711	2	100R17AR-06X38",
13	1008.06	2	SWIVEL NUT, RUN, -6ORFS
14	1003.04.04	1	HA,90°
15	155243	2	CARTRIDGE, PRESSURE RELIEF,
16	155742	2	CARTRIDGE, COUNTERBALANCE CP08-3L CAVITY
17	155249	1	CARTRIDGE VALVE, 3 POS,4 WAY (INCLUDES 155248)
18	HC-145501	1	VALVE, NEEDLE
19	155248	2	SOLENOID COIL, CARTRIDGE, PROP
20	1006.04.04	2	-4FORFS X -4MORFS 90°

Model JH9110 Hillco Leveling System
 For Serial Numbers JH9110-25001 thru JH9110-25999

John Deere Header Lift Manifold Fittings



John Deere Header Lift Manifold Fittings			
BOM ID	Part No.	Qty	Description
1	1006.06.06	1	ELBOW, 90°, -6FF x -6MF
2	1006.12.12	1	ELBOW, 90°, -12MF x -12FF
3	1006.16.16	2	ELBOW, 90°, -16MF x -16FF
4	1008.16	1	TEE, SWIVEL NUT, RUN, #16
5	1008.20	1	TEE, SWIVEL NUT, RUN, #20
6	1008.06	1	TEE, SWIVEL NUT, RUN, -6FF x -6MF
7	1004.20.16	1	STR, -20FF x -16MF
8	1004.16.12	1	STR, 16FF x 12MF
9	1297821	1	MANIFOLD SPACER

Model JH9110 Hillco Leveling System
For Serial Numbers JH9110-25001 thru JH9110-25999

Hydraulic Hoses

Part No.	Qty	Where Used	Description
1138944	1	Connects Master Cyl Base to BH	HH ASM, HLB-02X33-1/2", -02MPSWVL STR X 1/8-27NPSM STR
1138953	2	Connects RH Leveling cylinder and Transition pivot pin to BH	HH ASM,HLB -02X40" -02MP SWVL STR X 1/8-27NPSM STR
1138964	1	Connects Pivot tube to BH	HH ASM,HLB -02X54", -02MP STR SWVL X 1/8 -27NPSM STR
1138975	2	Connects Rod end of Master Cylinder and Left Leveling Cylinder to BH	HH ASM, HLB -02X68" -02MP STR SWVL X 1/8-27NPSM STR
1152451	1	Connects Yellow Port to Slave Cyl Base Port	HH ASM, 100R17AR -04 X 80" -6FORS STR X -6FORS 90° D23MM
1152461	1	Trim Manifold "A" Port to Slave Cyl Base	100R17AR-04X70", -6FORS STR;-6FORS 90° D23MM
1273462	2	Filter Head; Front & Side Ports to Valve Blocks Ports	100R17AR-08X62", -10FORS STR X -8FORS 90° D41MM
1274141	1	Reverse Hydro Hose	797TC-20 X 124", 797TC-20 X 124",-20 STR 62 x -20 90° XR 62-20 STR
1295602	2	Connects Counterbalance Ports V1 & V2 to Manifold Ports "A" & "B"	100R17AR-10X103", -08 FORS X -10 FORS
1295882	1	Connects Master Cyl to Slave Cyl	451TC, 3/8" X 195" -06FORS STR;-06FORS STR
1297421	1	Extends AH226084 to Proportionator Motor	100R17AR -10 X 66"-10MF STR;-10FF 90° D23MM
1297441	1	Extends AH226085 to Proportionator Pump Supply	100R17AR -12 X 66" -12MORS STR;-12FORS 90° M58MM
1297452	1	Replaces AH219243; Connects Rear Filter Port to Proportionator Motor Return	100R17AR -10 X 127" -10FORS STR;-10FORS 90° D3MM
1297481	1	Extends AH226119 to the Trans Lube	100R17AR-06 X 31" -6MORS STR X -6FORS 90° D23MM
1297641	1	Extends Right Brake Hose	100R17-06 X 78", -06MORS STR X -06FORS 90° D23MM
1297651	1	Extends Left Brake Hose	100R17AR -06 X 60" -06MF STR X -06FF STR
1297922	1	Replaces JD Hose; Connects Manifold to Tee	100R17AR-12X91", -12FORS STR;-12FORS 90° D58MM
1297933	1	Replaces Left Header Lift Pressure Hose	451TC, 3/4" X 44",-12FORS STR X -10FORS STR
1298291	1	Extends ProDrive Case Drain	100R17AR-16X36", -16MORS STR;-16FORS STR
1298322	1	Replaces Right Header Lift Pressure Hose	451TC, 3/4"X42", -10FF STR X -12FF 90° D58MM
1298331	1	Replaces the Header Lift Pressure Hose	451TC, 1"X 90", -16FORS STR;-16FORS 90° D56MM

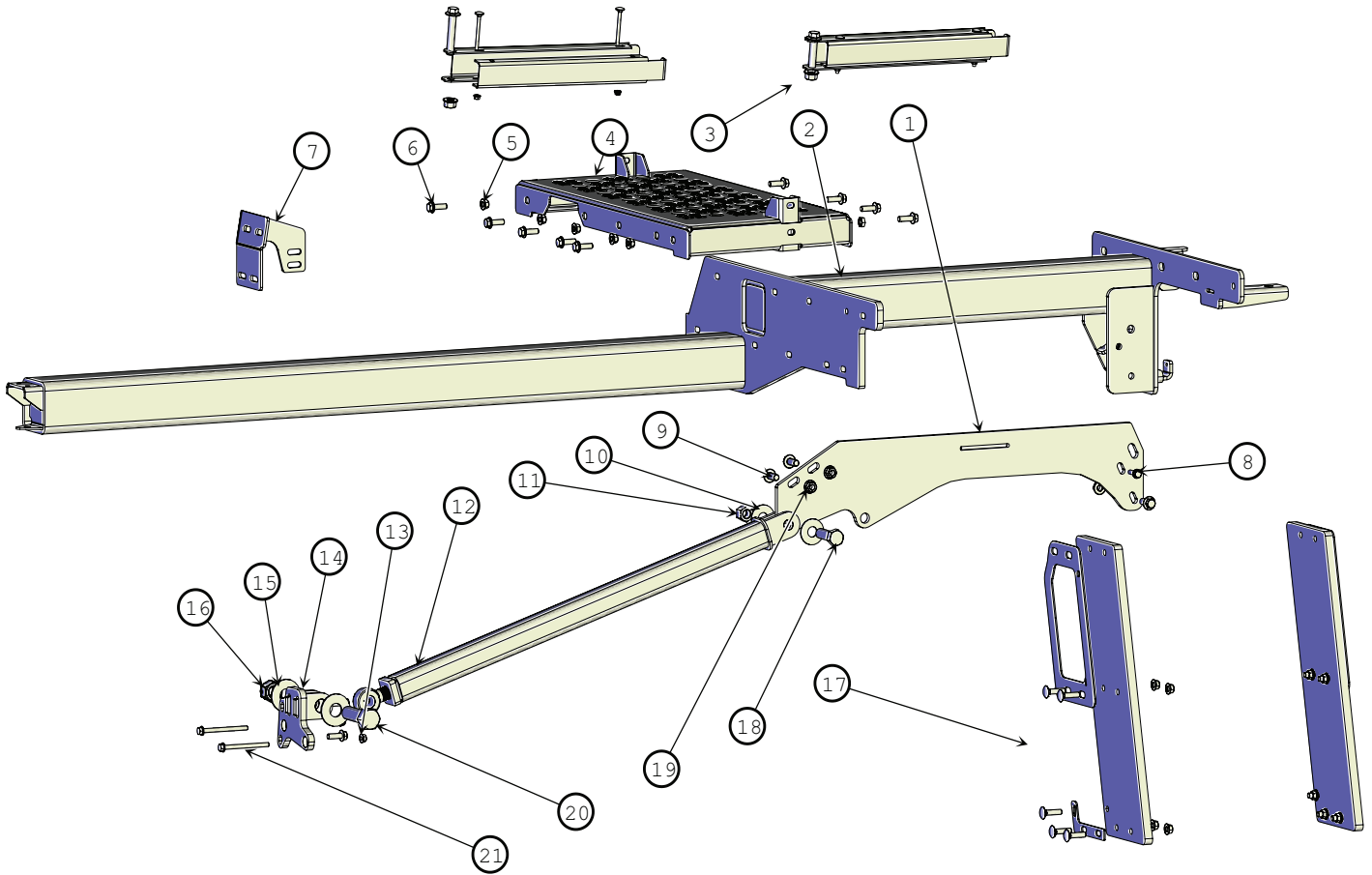
Model JH9110 Hillco Leveling System
For Serial Numbers JH9110-25001 thru JH9110-25999

Hydraulic Hoses

Part No.	Qty	Where Used	Description
1299191	1	Extends JH Hose to Shift Block	100R17AR-04X15", -6MORS STR;-6FORS 90° D23MM
1305181	1	Replaces Forward Hydro Hose	797TC-20 121", 90° MR FLNG X STR FLNG
1320711	2	Connects "P" & "T" Ports of Trim Manifold to JD Manifold	100R17AR-06X38", -6 FORS STR X -6 FORS STR
1320721	1	Trim Manifold Load Sense to JD HDR Lift Manifold	100R17AR-04X138", -4 FORS STR X -6 FORS STR
1322101	1	Connects "B" Port to Slave Cylinder Base Port	100R17-04X80", -6FORS STR;-4FORS 90° D38MM
1322112	1	Connects Rod Port to a Port of Trim Manifold	100R17-04 67", -6FF STR X -4FF 90° D21MM
1331391	1	Connects Master Cyl Base Port to Slave Cyl Base Port	451TC, 3/8" X 175" -06FORS STR;-06FORS STR
1353021	1	Connects Left Leveling Cyl to Right Leveling Cyl	100R17AR -06X65" -8FORS STR X -8FORS 90° D29MM
1353031	1	Connects Left Leveling Cyl to Right Leveling Cyl	100R17AR-06x56", -8FORS STR x-8FORS 90°D29MM
1364341	1	Connect Base Port Relief to Rod Port Relief	100R17AR-04x8-9/16" -6FORS STR,-6FORS STR
1364351	1	Connects Rod Port Relief to Leveling Manifold Tank Port	100R17AR-04x115-3/4"-6FORS STR,-4FORS 90°D21MM
1371021	2	CMH (Yellow) Port to Slave Cylinder Base	100R17AR -04X66" -6FF STR X -6FF STR
1371031	2	CMR (Blue) Port to Slave Cylinder Rod	100R17AR -04X76" -6FF STR X -6FF STR
1380041	1	Reel Valve "IN" Port to Trim Manifold "P" Port	100R17AR-4 X 103"; -6FORFS STR X -6FORFS STR
1380051	1	Reel Valve "Tank" Port to Trim Manifold "T" Port	100R17AR-4 X 106"; -6FORFS STR X -6FORFS STR
1380061	1	Trim Manifold "B" Port to Slave Cyl Rod	100R17AR-4 X 56"; -6FORFS STR X -6FORFS 90°D23MM
1380071	1	Header Lift Manifold "RCLS" Port to Trim Manifold "LS" Port	100R17AR-4 X 169"; -4FORFS STR X -6FORFS STR
1384281	1	Manifold Return Port to Filter Inlet Port	100R17AR -12X17-1/4" -12FORS STR X -12FORS STR
1384581	1	Load Sense; Corner Post to Leveling Manifold Port	100R17AR-04 X 92" -6FORS STR;-4FORS STR
1384591	1	Return, Filter Outlet to Corner Post Manifold	100R17AR-12 X 72" -16FORS STR;-16FORS 90° D56MM
1384601	1	Pressure, Corner Post Manifold to Pressure Port Manifold	100R17AR-10X86" -10FORS STR;-12FORS 90° D48MM

Model JH9110 Hillco Leveling System
For Serial Numbers JH9110-25001 thru JH9110-25999

Ladder



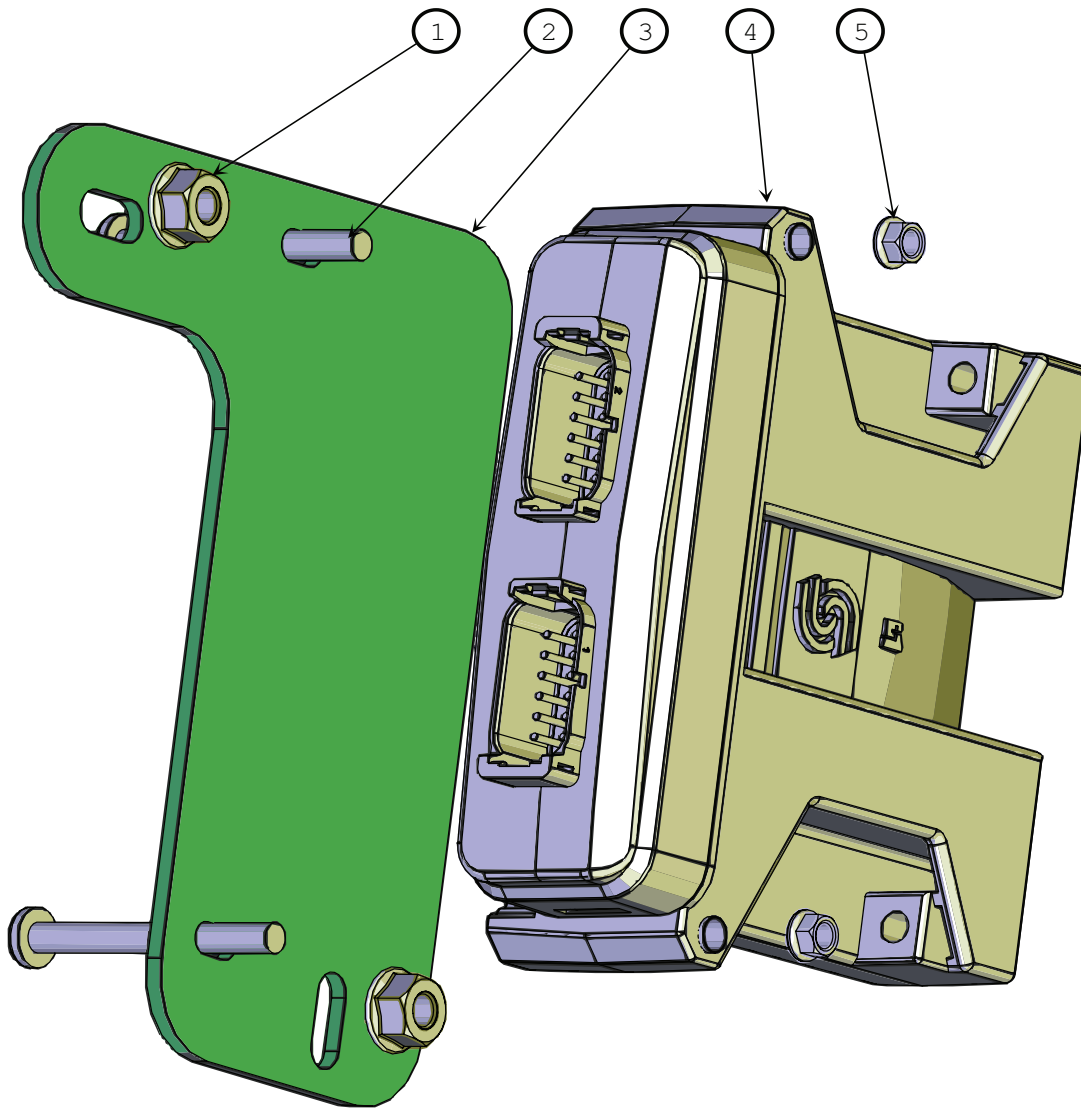
Model JH9110 Hillco Leveling System
 For Serial Numbers JH9110-25001 thru JH9110-25999

Ladder

BOM ID	Part No.	Qty	Description
1	1388481	1	BRACE, OUTER BEAM
2	1384371	1	LADDER BEAM, 2107MM
3	1384451	2	HANDRAIL BAR
4	156397	1	CAB PLATFORM, 350MM OR 375MM
5	128.010	5	NUT, HX, FL, STV, CL10 M10
6	122.010.030	11	BOLT, HX, FL, CL10.9 M10X30
7	1389101	1	BRACKET, WARNING LIGHT
8	122.008.030	1	BOLT, HX, FL, CL10.9 M8X30
9	122.012.030	3	BOLT, HX, FL, CL10.9 M12X30
10	105.012	2	WASHER, FLT 3/4
11	187.012	1	NUT, HX, NYL, GR8 3/4-10
12	1388411	1	BEAM BRACE, ADJ
13	123.008	2	NUT, HX, FL, CL10 M8
14	1388471	1	BRACE, MOUNT
15	105.016	2	WASHER, FLT 1
16	187.016	1	NUT, HX, NYL, GR8 1"
17	1384491	1	DOUBLE HANGER STEP
18	102.012.040	1	HC BOLT, HX, GR8 3/4-10X2-1/2"
19	123.012	3	NUT, HX, FL, CL10 M12
20	102.016.056	1	HC BOLT, HX, GR8 1-8X3-1/2
21	122.008.100	2	BOLT, HX, FL, CL10.9 M8X100

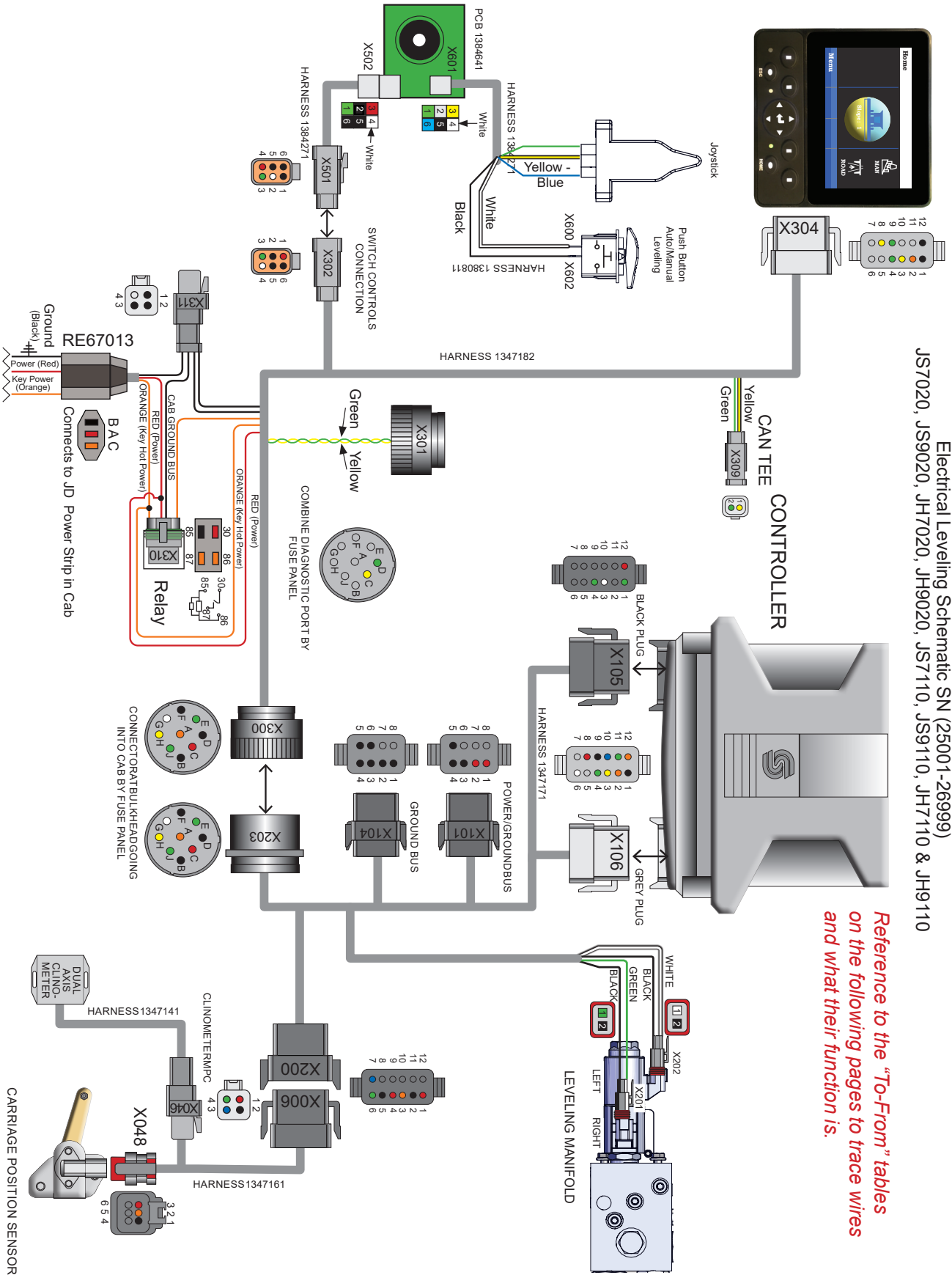
Model JH9110 Hillco Leveling System
 For Serial Numbers JH9110-25001 thru JH9110-25999

Controller



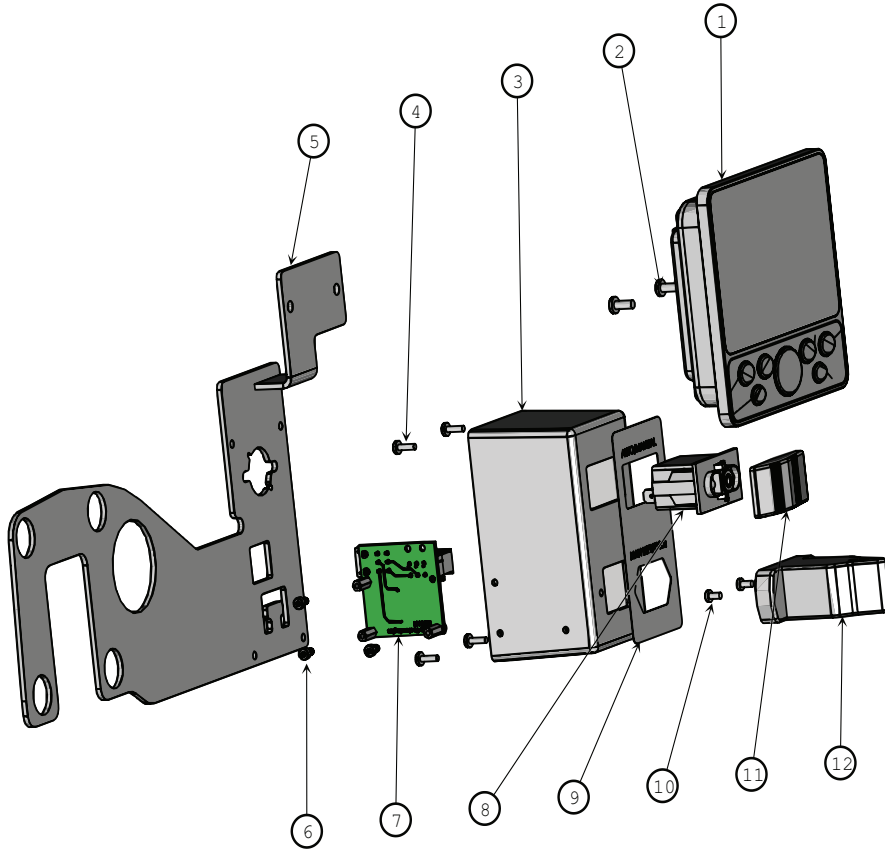
Controller			
BOM ID	Part No.	Qty	Description
1	123.008	2	NUT,HX,FL,CL10 M8
2	114.004.036	2	SCREW,PHM,CH,SERR 1/4-20X2-1/4
3	1384111	1	MOUNT, CONTROLLER
4	155713	1	SAUR-DANFOSS, 24-PIN
5	119.004	2	NUT,HX,FL,SERR 1/4-20

Model JH9110 Hillco Leveling System For Serial Numbers JH9110-25001 thru JH9110-25999



Model JH9110 Hillco Leveling System
 For Serial Numbers JH9110-25001 thru JH9110-25999

Monitor



BOM ID	Part No.	Qty	Description
1	1384331	1	DISPLAY
2	171.004.010	2	M4X10
3	1346991	1	BOX, SWITCH MOUNT
4	114.#06.006	4	SCREW,PHM,CH 6-32X3/8
5	1347232	1	MOUNT, 700 SERIES LEVELER CONTROLS
6	237.003.006	3	M3X0.5, 6MM LENGTH
7	1384641	1	PCB, CIRCUIT, BUZZER, JOYSTICK
8	155785	1	SWITCH, SPST MOMENTARY
9	155796	1	DECAL, SWITCH BOX, LEVELING SYSTEM
10	171.003.006	2	SCREW,PHM,CH M3X6
11	149581	1	CONTURA BLACK ACTUATOR
12	155784	1	JOYSTICK, SINGLE AXIS

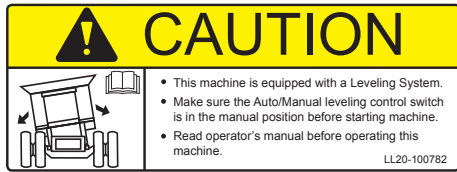
Decals and Literature



1) LL-133741



2) LL-151041



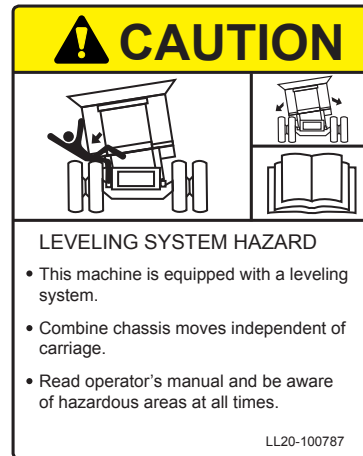
3) LL20-100782



5) LL20-100784



4) LL20-100783



7) LL20-100787



6) LL20-100786



8) LL20-100788



9) LL-143621

Model JH9110 Hillco Leveling System
For Serial Numbers JH9110-25001 thru JH9110-25999

DECALS AND LITERATURE			
REF.	PART NO.	QTY.	PART NAME
1	133741	5	LABEL, GREASE 50 HRS
2	151041	2	DECAL, HILLSIDE LEVELING SYSTEM
3	100782	1	CAUTION LEVELING SYSTEM CAB
4	100783	2	DANGER, CRUSHING HAZARD
5	100784	2	DECAL, DANGER PINCH POINT
6	100786	1	WARNING ELECTRICAL CRUSHING HAZARD
7	100787	1	CAUTION - LEVELING SYSTEM HAZARD
8	100788	2	DANGER - HYDRAULIC HAZARD
9	143621	2	DANGER, AVOID CRUSHING INJURY
NS	147651	1	LABEL, FEMA MEMBER TAG
NS	LA-255961	1	TAG, SERIAL NUMBER
NS	LL-289641	1	CM LABEL, MECHANICAL CYLINDER STOP
NS	D-250201CMA01A	1	MANUAL, OPERATORS

Model JH9110 Hillco Leveling System
For Serial Numbers JH9110-25001 thru JH9110-25999

Notes

Hillco Technologies, Inc.
107 1st Avenue
Nezperce, Idaho 83543

Phone	800-937-2461
	208-937-2461
Fax	208-937-2280

www.hillcotechnologies.com
email: support@hillcotechnologies.com