

Model JS7020 Hillco Leveling System
For Serial Numbers JS7020-23001 thru JS7020-23999



Model JS7020 Sidehill Leveling System Parts Manual

SN JS7020-23001 thru JS7020-23999

For John Deere S650, S660, S670, S760, & S770
Series Combines



Table of Contents

| | |
|--|-----------|
| General Information | 3 |
| Serial Number Location | 3 |
| Text and Illustrations | 3 |
| Abbreviations | 3 |
| Right and left Identification | 3 |
| Part Orders | 3 |
| Transition | 4 |
| Tilt Sensor | 5 |
| Feeder Drum Arms and Chain Extensions | 6 |
| Transition Throat | 8 |
| Transition Throat - Hydraulic Fore/Aft | 10 |
| Transition Header Adapter | 12 |
| Transition Header Adapter - Hydraulic Fore/Aft | 14 |
| Carriage | 16 |
| Overcarriage | 17 |
| Undercarriage | 19 |
| Carriage Misc. Parts | 21 |
| Carriage Position Sensor | 23 |
| Drop Axle | 25 |
| Hydraulic Components | 26 |
| Leveling Manifold | 27 |
| Header Trim Manifold | 29 |
| Gear Pump | 31 |
| Hydraulic Hoses | 32 |
| Retractable Ladder | 33 |
| Double Step Retractable Ladder | 33 |
| Ladder Wedge & Service Ladder Extension | 36 |
| Electrical | 37 |
| Controller | 37 |
| Wiring Harness | 38 |
| Monitor | 39 |
| Decals and Literature | 40 |

Contact Information

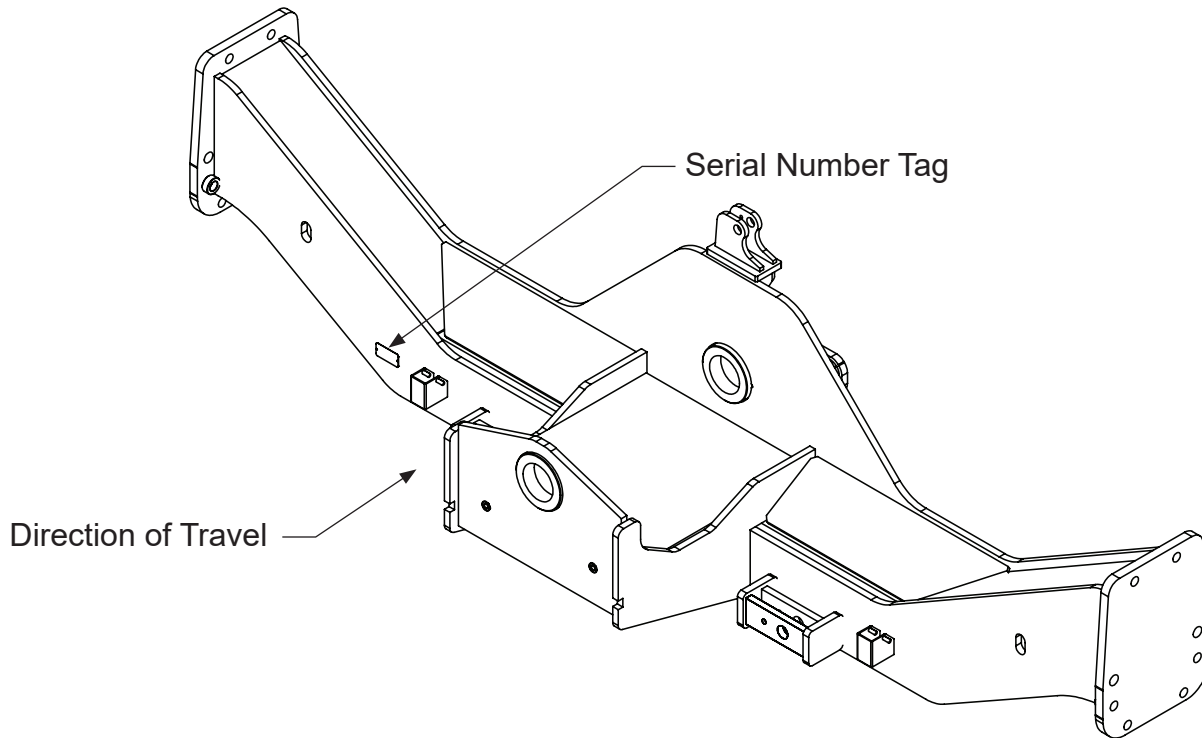
| | | |
|---------------------------|-------|--------------|
| Hillco Technologies, Inc. | Phone | 800-937-2461 |
| 107 1st Avenue | | 208-937-2461 |
| Nezperce, Idaho 83543 | Fax | 208-937-2280 |

www.hillcotechnologies.com

email: support@hillcotechnologies.com

GENERAL INFORMATION

SERIAL NUMBER LOCATION



TEXT AND ILLUSTRATIONS

The arrangement of this parts catalog is for easy identification of parts. All parts are illustrated in exploded views in proper relation to each other. Some diagrams refer to other pages for further information. Reference numbers used in the illustrations refer to line numbers in the part lists. The part lists appear to the right or below all diagrams and correspond with those diagrams. Included in the part lists, along with the reference numbers are part numbers, part descriptions and the quantity of the part required per leveling system.

ABBREVIATIONS

SN “Serial Number” refers to the serial number given to each leveling system (by Hillco Technologies), as well as the serial number given to the combine (by the specific combine manufacturer) the leveling system is installed. See above for the leveling system’s serial number location. This abbreviation is used interchangeably in both instances. Each Model JS7020 Leveling System uses the following serial number format: JS7020-XXXXX (sequential numbers).

ASM “Assembly” refers to a whole grouping of parts (shown in the diagram corresponding with the page where “ASM” is shown unless otherwise noted). Some assemblies have parts that are sold separately, however some must be purchased as a single unit. Hillco Product Specialists will be able to assist you with any questions.

NS “Not Shown” refers to a part that is not depicted in the illustration.

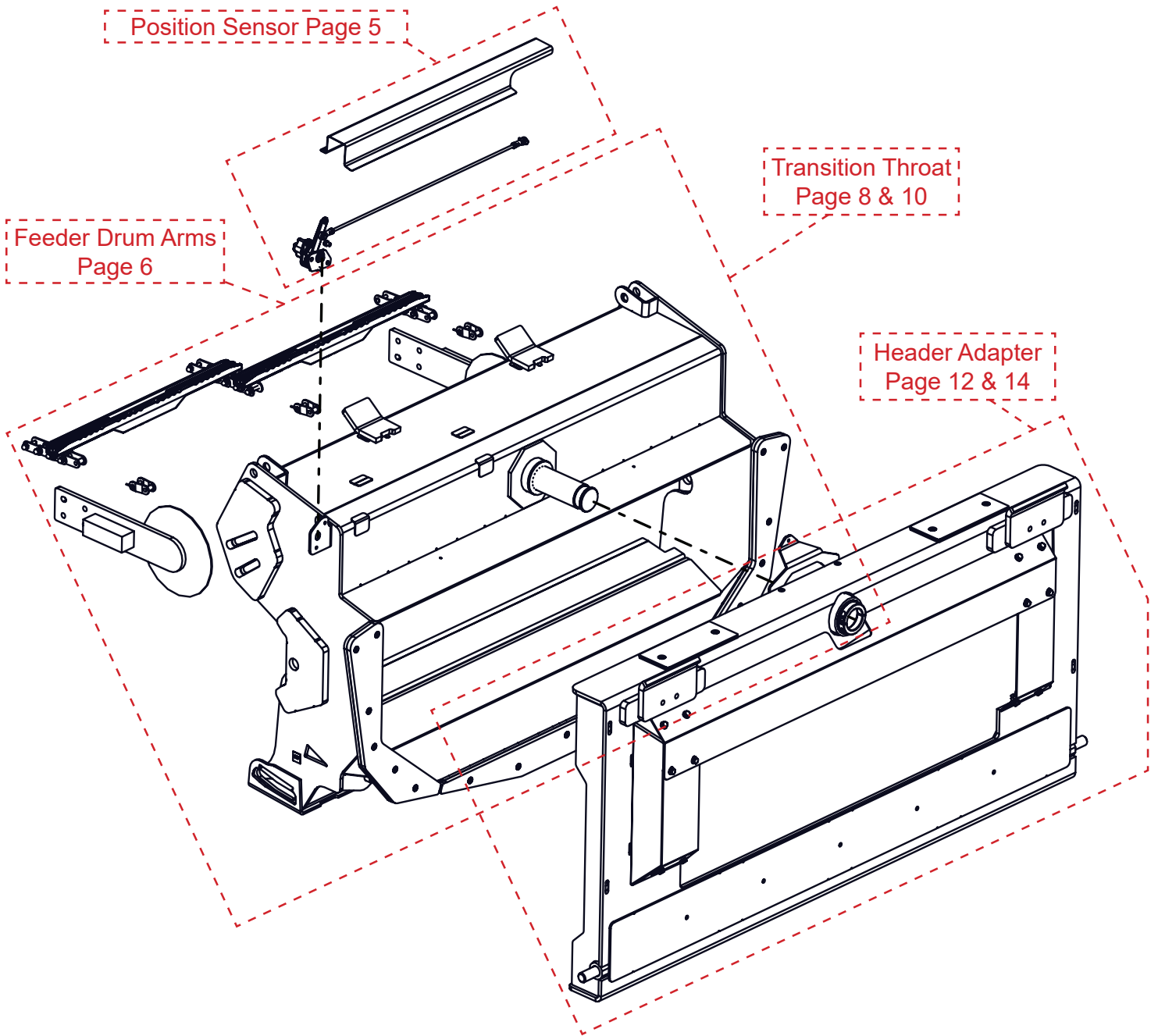
RIGHT AND LEFT IDENTIFICATION

The reference to right-hand and left-hand in this catalog is identified by the operator sitting in the operator’s seat, looking toward the front of the machine (in normal forward travel).

PART ORDERS

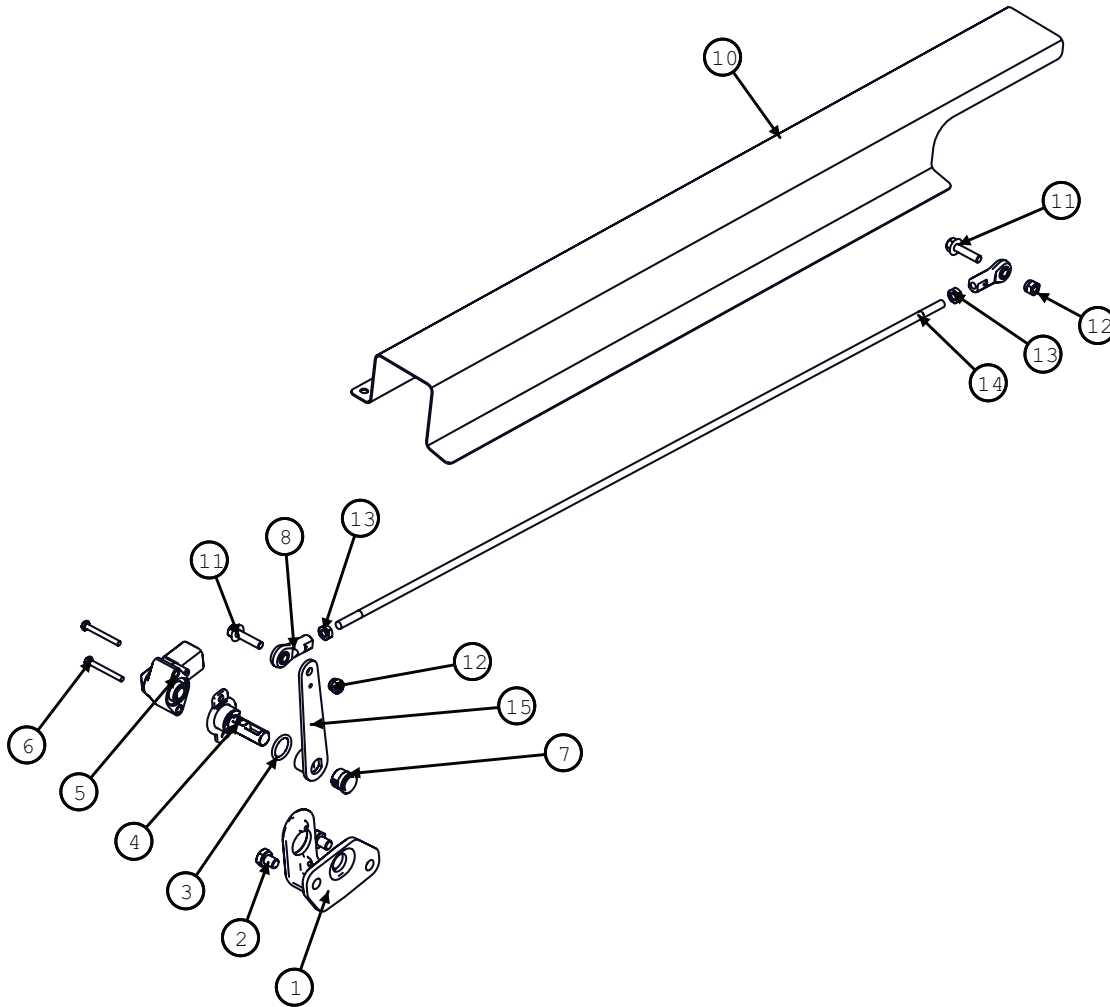
Orders must specify product model, serial number, correct part number, complete description, quantity required, method of shipment, shipping address, and billing address.

TRANSITION



Model JS7020 Hillco Leveling System
 For Serial Numbers JS7020-23001 thru JS7020-23999

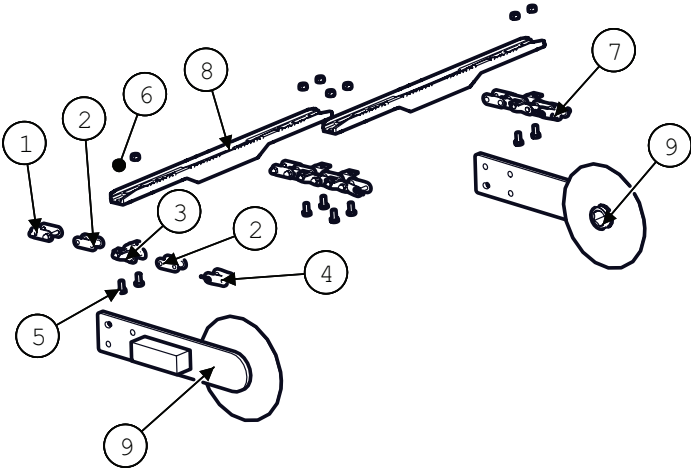
TRANSITION TILT SENSOR



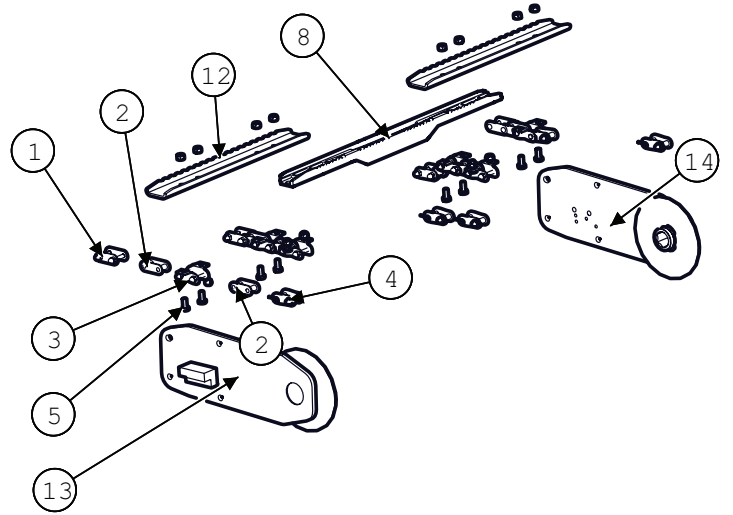
| TRANSITION POSITION SENSOR | | | |
|----------------------------|-------------|-----|-------------------------|
| BOM ID | Part No. | Qty | Description |
| 1 | 151321 | 1 | BRACKET, SENSOR |
| 2 | 122.008.020 | 2 | BOLT,HX,CL8.8 M8X20 |
| 3 | 151391 | 1 | O-RING, 11/16 ID |
| 4 | 151401 | 1 | SENSOR SHAFT, |
| 5 | 151381 | 1 | SENSOR, ROTATION, |
| 6 | 170.004.035 | 2 | BOLT, HX,CL8.8 |
| 7 | 151361 | 1 | BUSHING, |
| 8 | 151881 | 2 | ROD END, BALL JOINT, |
| 9 | 201.006.036 | 1 | PIN,ROLL M6X36 |
| 10 | 1295541 | 1 | SENSOR LINKAGE |
| 11 | 122.006.025 | 2 | BOLT,HX,FL,CL10.9 M6X25 |
| 12 | 191.006 | 2 | NUT,HX,NYL,CL8 M6 |
| 13 | 184.004 | 2 | NUT,HX,JAM,GR5 1/4-28 |
| 14 | 1295502 | 1 | SENSOR ROD |
| 15 | 151371 | 1 | ARM, TILT SENSOR |

Feeder Drum Arms and Chain Extensions

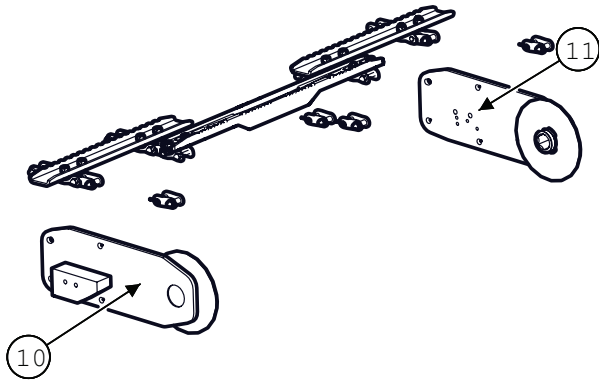
10" Drum, 3 Strand



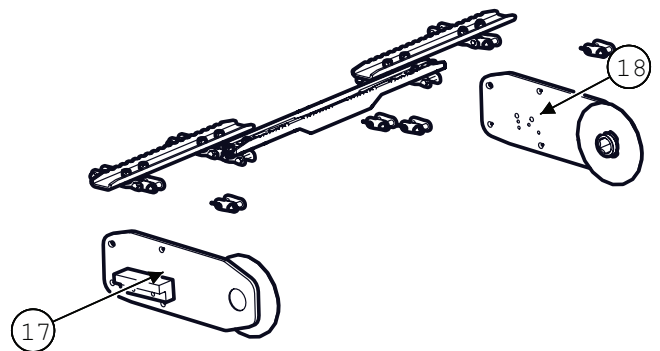
8" Drum, Full Travel, Hydraulic Fore/Aft



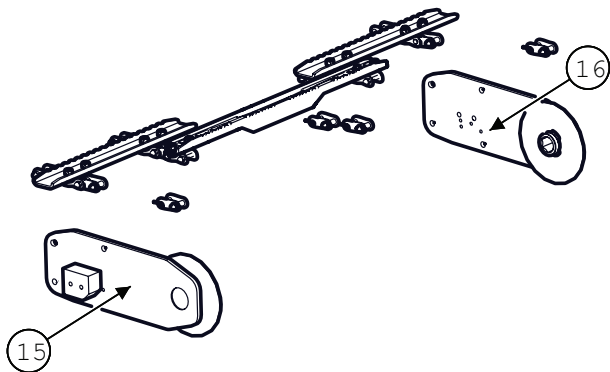
8" Drum, Limited Travel



8" Drum, Full Travel



8" Drum, Limited Travel, Hydraulic Fore/Aft

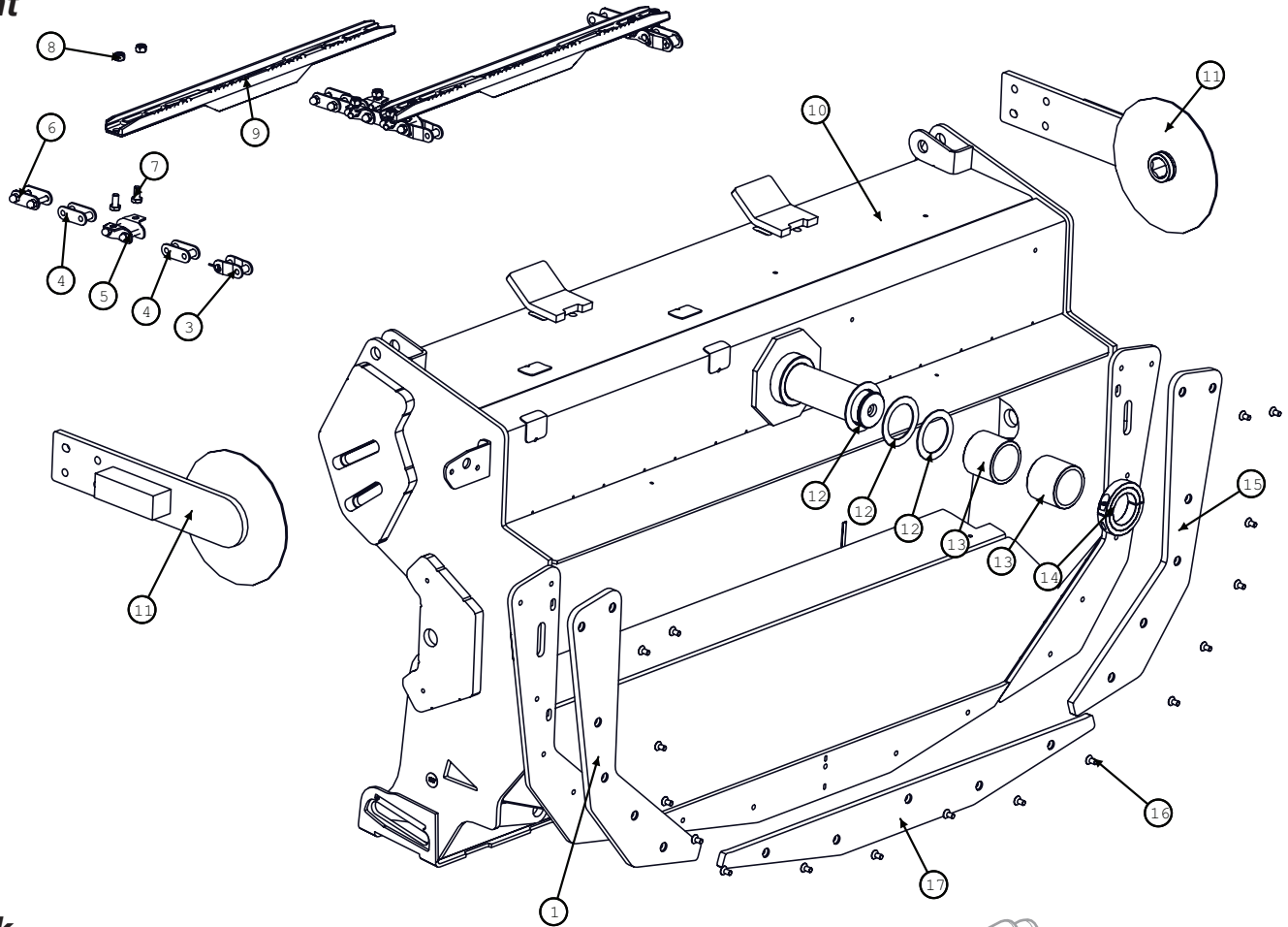


Model JS7020 Hillco Leveling System
For Serial Numbers JS7020-23001 thru JS7020-23999

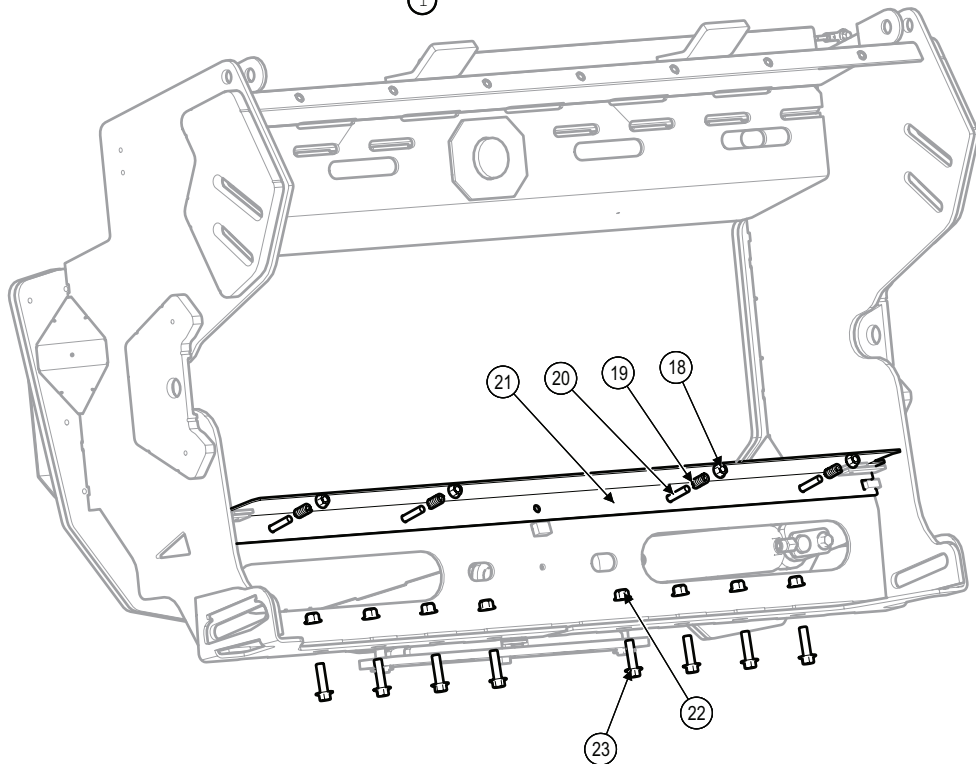
| Feeder Drum Arms & Feeder Chain | | | |
|--|----------|-----|---|
| 10" DRUM, 3-STRAND, | | | |
| BOM ID | Part No. | Qty | Description |
| 140261 | 1 | 3 | COUPLER, CA557 CHAIN LINK |
| 146391 | 2 | 6 | LINK, FEMALE, CA557 |
| 146381 | 3 | 4 | CHAIN LINK WITH K6 SIDEBAR |
| 146641 | 4 | 3 | LINK, OFFSET COUPLER CA557 |
| 120.010.020 | 5 | 10 | BOLT,HX,CL10.9 M10 |
| 126.01 | 6 | 10 | NUT,HX,STV,CL10 M10 |
| 146211 | 7 | 3 | NUT 8MM X 1.25 ACORN |
| 146402 | 8 | 2 | SLAT, CAST |
| 1269141 | 9 | 2 | 10" FEEDR DRUM ARM |
| 8" DRUM, LIMITED TRAVEL | | | |
| 140261 | 1 | 4 | COUPLER, CA557 CHAIN LINK |
| 146391 | 2 | 8 | LINK, FEMALE, CA557 |
| 146381 | 3 | 6 | CHAIN LINK WITH K6 SIDEBAR |
| 146641 | 4 | 4 | LINK, OFFSET COUPLER CA557 |
| 120.010.020 | 5 | 12 | BOLT,HX,CL10.9 M10 |
| 126.01 | 6 | 12 | NUT,HX,STV,CL10 M10 |
| 146211 | 7 | 6 | NUT 8MM X 1.25 ACORN |
| 146402 | 8 | 3 | SLAT, CAST |
| 1324681 | 10 | 1 | 8" DRUM ARM, LIMITED TRAVEL |
| 1324671 | 11 | 1 | 8" DRUM ARM, LIMITED TRAVEL |
| 155308 | 12 | 2 | SHORT CONVEYOR |
| 8" DRUM, FULL TRAVEL, HYDRAULIC FORE/AFT | | | |
| 140261 | 1 | 4 | COUPLER, CA557 CHAIN LINK |
| 146391 | 2 | 8 | LINK, FEMALE, CA557 |
| 146381 | 3 | 6 | CHAIN LINK WITH K6 SIDEBAR |
| 146641 | 4 | 4 | LINK, OFFSET COUPLER CA557 |
| 120.010.020 | 5 | 12 | BOLT,HX,CL10.9 M10 |
| 126.01 | 6 | 12 | NUT,HX,STV,CL10 M10 |
| 146211 | 7 | 6 | NUT 8MM X 1.25 ACORN |
| 146402 | 8 | 3 | SLAT, CAST |
| 155308 | 12 | 2 | SHORT CONVEYOR |
| 1319641 | 13 | 1 | 8" DRUM ARM, FULL TRAVEL, HYDRAULIC FORE/AFT |
| 1319631 | 14 | 1 | 8" DRUM ARM, FULL TRAVEL, HYDRAULIC FORE/AFT |
| 8" DRUM, LIMITED TRAVEL, HYDRAULIC FORE/AFT | | | |
| 140261 | 1 | 4 | COUPLER, CA557 CHAIN LINK |
| 146391 | 2 | 8 | LINK, FEMALE, CA557 |
| 146381 | 3 | 6 | CHAIN LINK WITH K6 SIDEBAR |
| 146641 | 4 | 4 | LINK, OFFSET COUPLER CA557 |
| 120.010.020 | 5 | 12 | BOLT,HX,CL10.9 M10 |
| 126.01 | 6 | 12 | NUT,HX,STV,CL10 M10 |
| 146211 | 7 | 6 | NUT 8MM X 1.25 ACORN |
| 146402 | 8 | 3 | SLAT, CAST |
| 155308 | 12 | 2 | SHORT CONVEYOR |
| 1324841 | 15 | 1 | 8" DRUM ARM, LIMITED TRAVEL, HYDRAULIC FORE/AFT |
| 1324831 | 16 | 1 | 8" DRUM ARM, LIMITED TRAVEL, HYDRAULIC FORE/AFT |
| 8" DRUM, FULL TRAVEL | | | |
| 140261 | 1 | 4 | COUPLER, CA557 CHAIN LINK |
| 146391 | 2 | 8 | LINK, FEMALE, CA557 |
| 146381 | 3 | 6 | CHAIN LINK WITH K6 SIDEBAR |
| 146641 | 4 | 4 | LINK, OFFSET COUPLER CA557 |
| 120.010.020 | 5 | 12 | BOLT,HX,CL10.9 M10 |
| 126.01 | 6 | 12 | NUT,HX,STV,CL10 M10 |
| 146211 | 7 | 6 | NUT 8MM X 1.25 ACORN |
| 146402 | 8 | 3 | SLAT, CAST |
| 155308 | 12 | 2 | SHORT CONVEYOR |
| 1324711 | 17 | 1 | 8" DRUM ARM, FULL TRAVEL |
| 1324701 | 18 | 1 | 8" DRUM ARM, FULL TRAVEL |

Model JS7020 Hillco Leveling System
For Serial Numbers JS7020-23001 thru JS7020-23999
TRANSITION THROAT - NON HYDRAULIC FORE/AFT

Front



Back



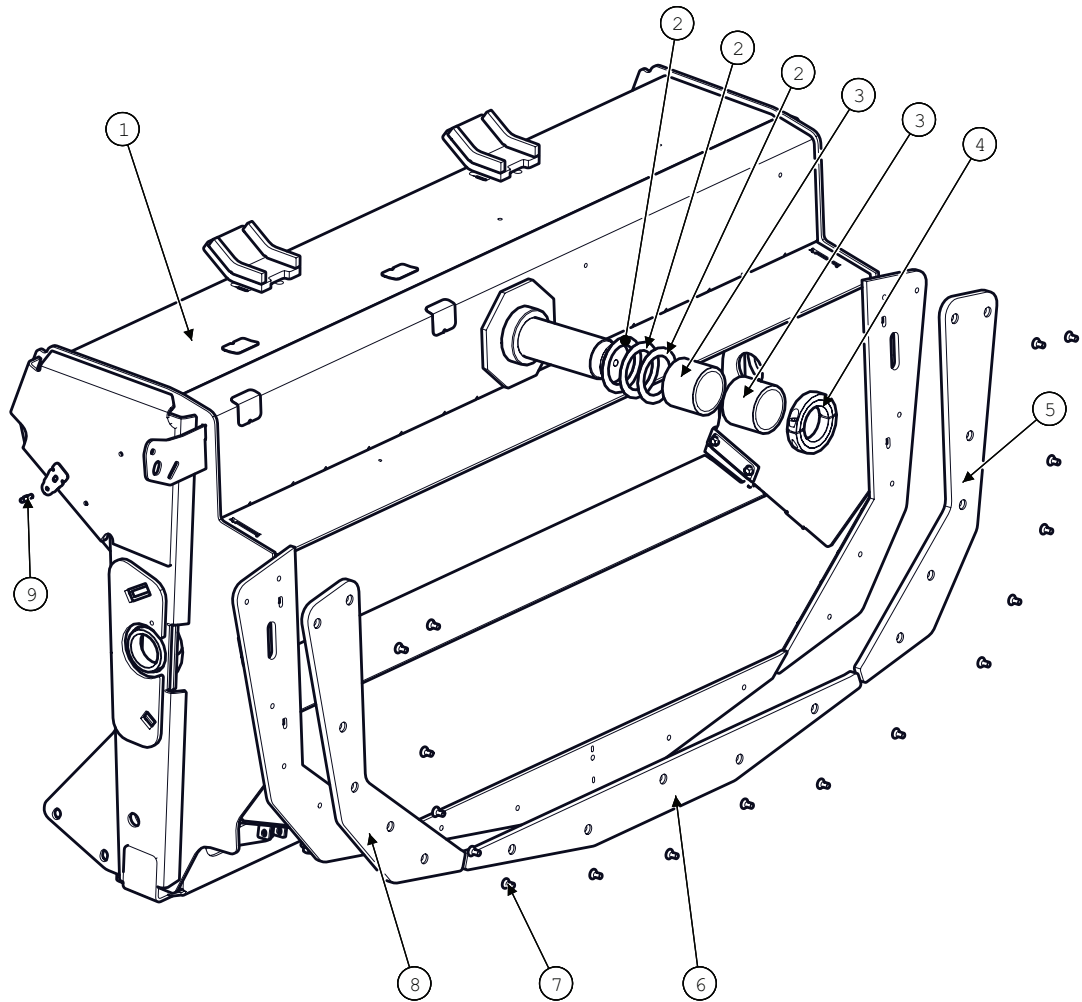
Model JS7020 Hillco Leveling System
For Serial Numbers JS7020-23001 thru JS7020-23999

| Transition Throat | | | |
|--------------------------|-----------------|------------|---|
| BOM ID | Part No. | Qty | Description |
| 1 | 1250571 | 1 | RIGHT WEARPAD |
| 3 | 146641 | 3 | LINK, OFFSET COUPLER CA557 |
| 4 | 146391 | 6 | LINK, FEMALE, CA557 |
| 5 | 146381 | 4 | CHAIN LINK WITH K6 SIDEBAR |
| 6 | 140261 | 3 | COUPLER, CA557 CHAIN LINK |
| 7 | 120.01 | 8 | BOLT,HX,CL10.9 M10 |
| 8 | 126.01 | 8 | NUT,HX,STV,CL10 M10 |
| 9 | 146402 | 2 | SLAT, CAST (See previous pages for more slat options) |
| 10 | 1290461 | 1 | THROAT, SIDEHILL |
| 11 | 1269141 | 2 | FEEDR DRUM ARM (10" - See previous pages for more drum arm options) |
| 12 | 162.014.040 | 3 | BUSHING,MACH,NR |
| 13 | 1241721 | 2 | PIVOT BUSHING |
| 14 | 150742 | 1 | COLLAR,CLAMPING,2-1/2 ID 3-3/4 OD, 2 PIECE HEAVY |
| 15 | 1250561 | 1 | LEFT WEARPAD |
| 16 | 164.008.016 | 17 | SCREW,FHSC,CL10.9 M8X16 |
| 17 | 1250581 | 1 | BOTTOM WEARPAD |
| 18 | 191.010 | 4 | NUT,HX,NYL,CL10 M10 |
| 19 | 143591 | 4 | SPRING, COMPRESSION |
| 20 | 163.010.060 | 4 | BOLT,CARR,CL8.8 M10 |
| 21 | 1313751 | 1 | FLEX FLOOR |
| 22 | 128.012 | 8 | NUT,HX,FL,STV,CL10 M12 |
| 23 | 122.012.045 | 8 | BOLT,HX,FL,CL10.9 M12X45 |

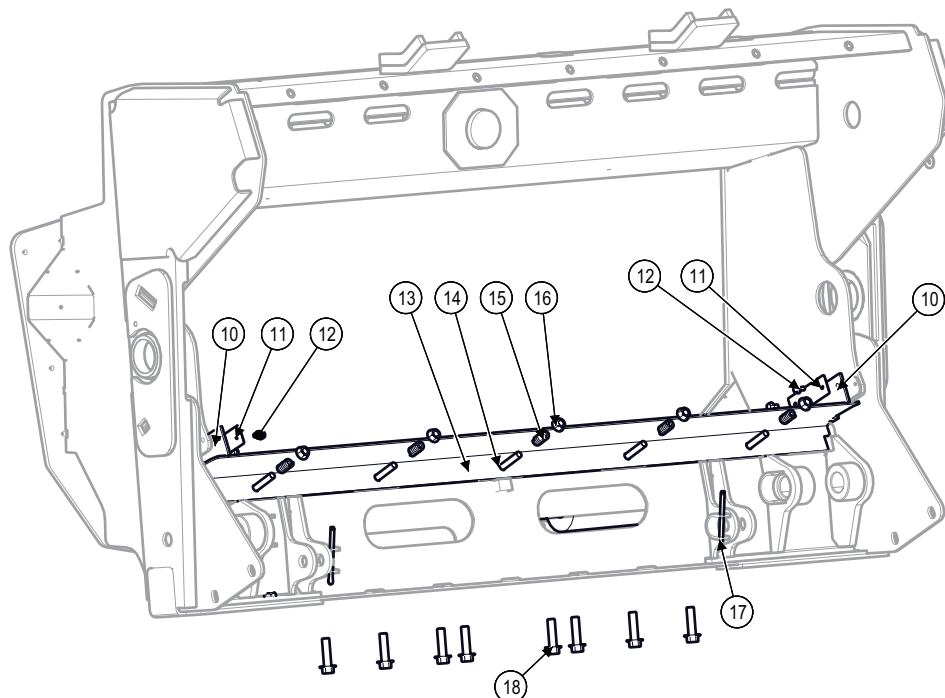
Model JS7020 Hillco Leveling System
For Serial Numbers JS7020-23001 thru JS7020-23999

TRANSITION THROAT - HYDRAULIC FORE/AFT

Front



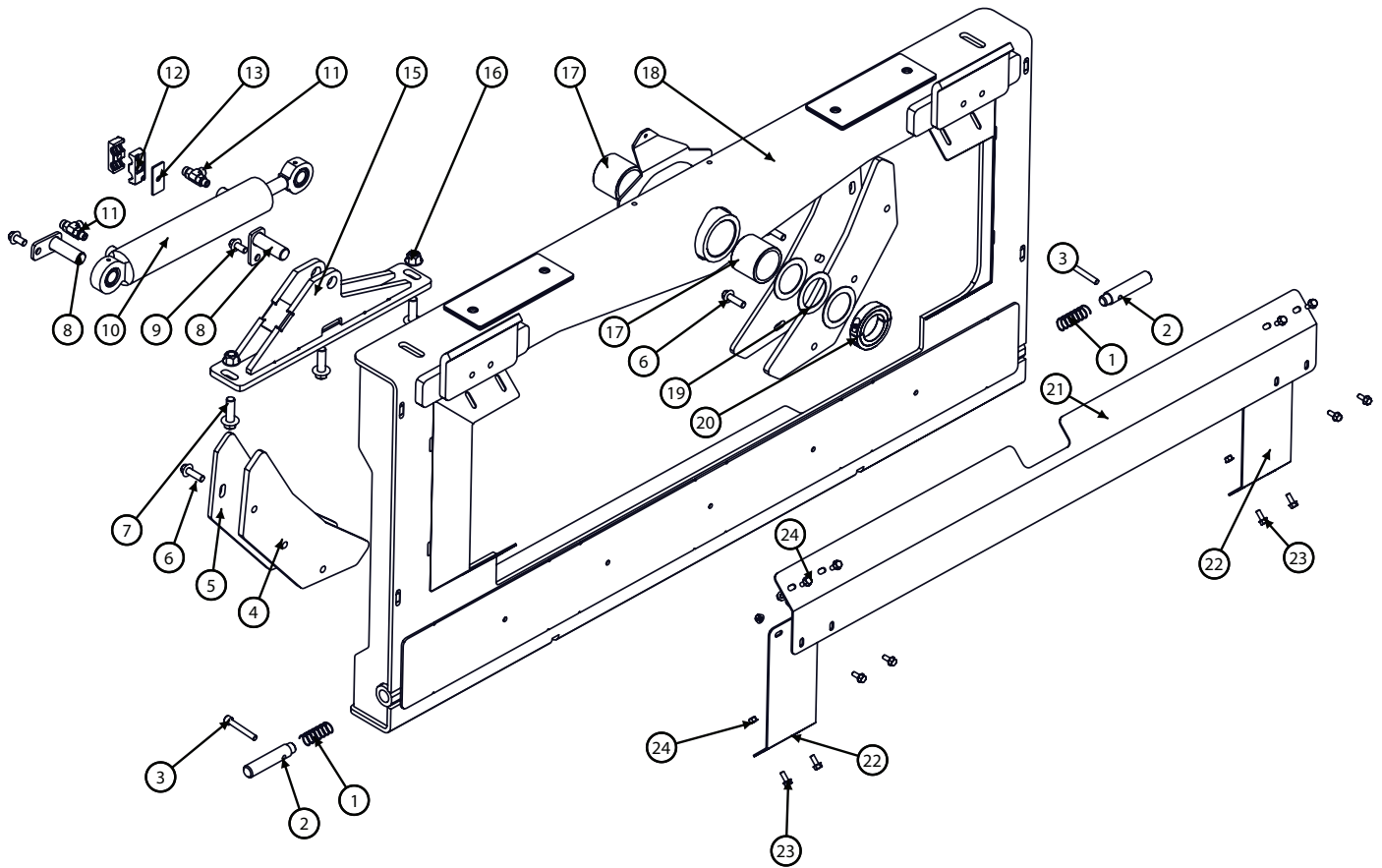
Back



Model JS7020 Hillco Leveling System
For Serial Numbers JS7020-23001 thru JS7020-23999

| Transition Throat - Hydraulic Fore/Aft | | | |
|---|-----------------|------------|--|
| BOM ID | Part No. | Qty | Description |
| 1 | 1318241 | 1 | THROAT, SIDEHILL |
| 2 | 162.014.040 | 3 | BUSHING,MACH,NR |
| 3 | 1241721 | 2 | PIVOT BUSHING |
| 4 | 150742 | 1 | COLLAR,CLAMPING,2-1/2 ID 3-3/4 OD, 2 PIECE HEAVY |
| 5 | 1250561 | 1 | LEFT WEARPAD |
| 6 | 1250581 | 1 | BOTTOM WEARPAD |
| 7 | 164.008.016 | 17 | SCREW,FHSC,CL10.9 M8X16 |
| 8 | 1250571 | 1 | RIGHT WEARPAD |
| 9 | 151341 | 1 | BALL STUD |
| 10 | 1323252 | 2 | SEAL |
| 11 | 1323241 | 2 | STIFFENER, SEAL |
| 12 | 122.006.012 | 3 | BOLT,HX,FL,CL10.9 M6X12 |
| 13 | 1318882 | 1 | FLEX FLOOR |
| 14 | 163.010.060 | 5 | BOLT,CARR,CL8.8 M10 |
| 15 | 143591 | 5 | SPRING, COMPRESSION |
| 16 | 191.010 | 5 | NUT,HX,NYL,CL10 M10 |
| 17 | 142.004.048 | 2 | PIN,COTTER 1/4 |
| 18 | 122.012.045 | 8 | BOLT,HX,FL,CL10.9 M12X45 |

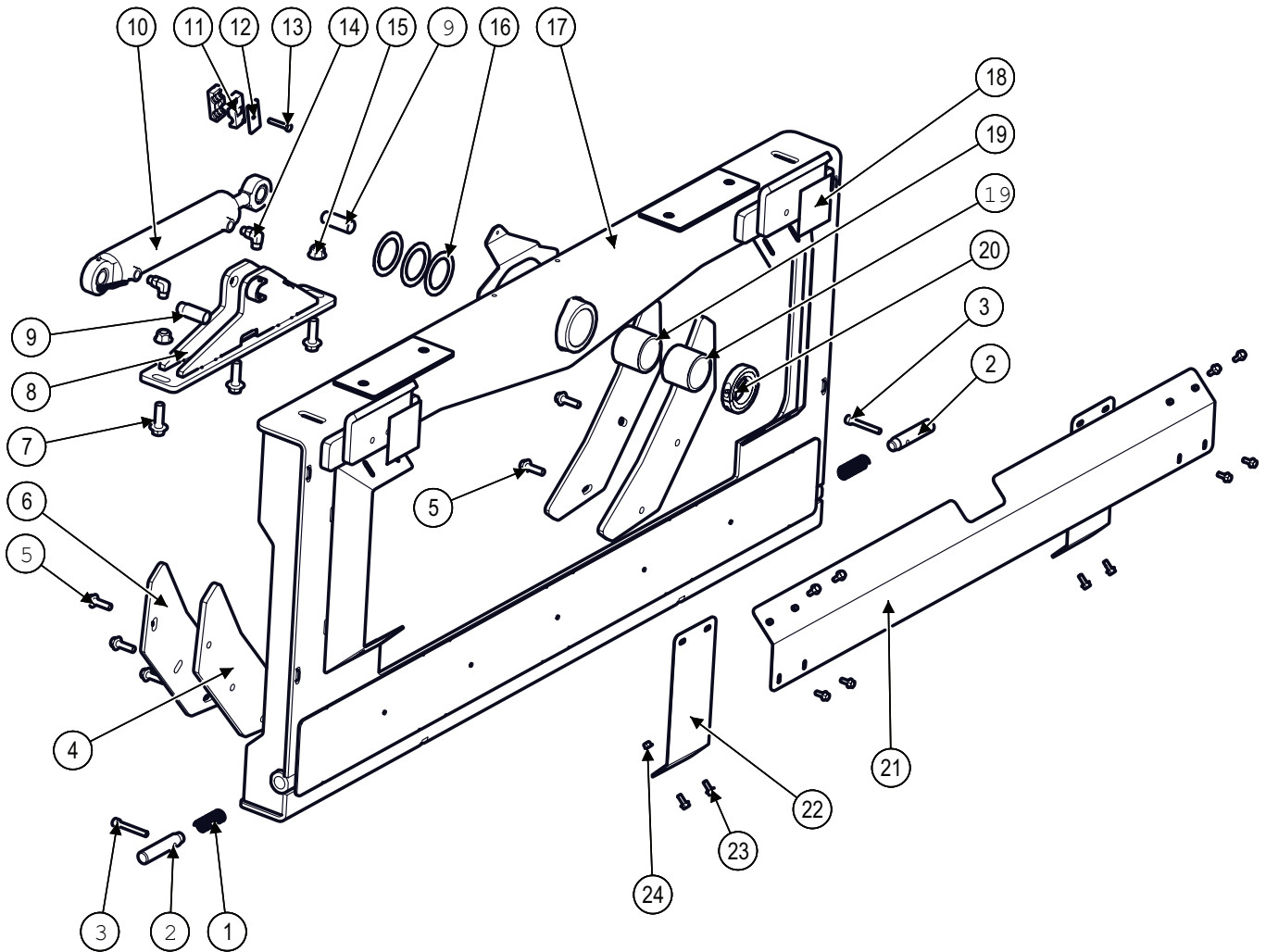
TRANSITION HEADER ADAPTER - NON HYDRAULIC FORE/AFT



Model JS7020 Hillco Leveling System
For Serial Numbers JS7020-23001 thru JS7020-23999

| Transition Header Adapter | | | |
|----------------------------------|-----------------|------------|---------------------------------|
| BOM ID | Part No. | Qty | Description |
| 1 | 135531 | 2 | SPRING, COMPRESSION |
| 2 | 1229193 | 2 | LOCKOUT PIN |
| 3 | 195.010.070 | 2 | SCREW,SHC,CL10.9 M10X70 |
| 4 | 1250551 | 2 | BACKING WEARPAD |
| 5 | 1250541 | 2 | BACKING PLATE |
| 6 | 122.012.040 | 6 | BOLT,HX,FL,CL10.9 M12X40 |
| 7 | 122.016.050 | 3 | BOLT,HX,FL,CL10.9,M16X50 |
| 8 | 1253884 | 2 | CYLINDER PIN |
| 9 | 122.012.025 | 2 | BOLT,HX,FL,CL10.9 M12X25 |
| 10 | 138582 | 1 | CYLINDER 2-1/2 X 10 |
| 11 | 1007.06 | 2 | STR,THD,RUN-06 |
| 12 | 139431 | 2 | CLAMP, 3/4" TWIN BEHRINGER PAIR |
| 13 | 139451 | 1 | COVER PLATE,TWIN |
| 15 | 1250713 | 1 | SLAVE CYL ROD MOUNT |
| 16 | 128.016 | 2 | NUT,HX,FL,STV,CL10 M16 |
| 17 | 1241721 | 2 | TM, GRAPHITE MICARTA |
| 18 | 1320921 | 1 | HEADER ADAPTER |
| 19 | 162.014.040 | 3 | BUSHING,MACH,NR |
| 20 | 150742 | 1 | COLLAR, CLAMPING |
| 21 | 1250522 | 1 | TOP SHIELD |
| 22 | 1250534 | 2 | SIDE SHIELD |
| 23 | 122.008.020 | 12 | BOLT,HX,FL,CL10.9 M8X20 |
| 24 | 128.008 | 12 | NUT,HX,FL,STV,CL10 M8 |

TRANSITION HEADER ADAPTER - HYDRAULIC FORE/AFT



Model JS7020 Hillco Leveling System
For Serial Numbers JS7020-23001 thru JS7020-23999

| Transition Header Adapter - Hydraulic Fore/Aft | | | |
|---|-----------------|------------|--|
| BOM ID | Part No. | Qty | Description |
| 1 | 135531 | 2 | SPRING, COMPRESSION |
| 2 | 1229193 | 2 | LOCKOUT PIN |
| 3 | 195.010.070 | 2 | SCREW,SHC,CL10.9 M10X70 |
| 4 | 1250551 | 2 | BACKING WEARPAD |
| 5 | 122.012.040 | 6 | BOLT,HX,FL,CL10.9 M12X40 |
| 6 | 1250541 | 2 | BACKING PLATE |
| 7 | 122.016.050 | 3 | BOLT,HX,FL,CL10.9,M16X50 |
| 8 | 1320941 | 1 | CYLINDER MOUNT, |
| 9 | 1320891 | 2 | PIN, 1" X 2-1/2 |
| 10 | 138582 | 1 | CYLINDER 2-1/2 X 10 |
| 11 | 139431 | 1 | CLAMP, 3/4" TWIN BEHRINGER PAIR |
| 12 | 139451 | 1 | COVER PLATE,TWIN |
| 13 | 170.008.045 | 1 | BOLT,HX,CL8.8 M8X45 |
| 14 | 1003.06.06 | 2 | -6MORB X -6MORFS |
| 15 | 128.016 | 2 | NUT,HX,FL,STV,CL10 M16 |
| 16 | 162.014.040 | 3 | BUSHING,MACH,NR |
| 17 | 1320921 | 1 | HEADER ADAPTER |
| 18 | 100784 | 2 | LABEL, PINCH POINT |
| 19 | 1241721 | 2 | TM, GRAPHITE MICARTA |
| 20 | 150742 | 1 | COLLAR,CLAMPING,2-1/2 ID 3-3/4 OD, 2 PIECE HEAVY |
| 21 | 1250522 | 1 | TOP SHIELD |
| 22 | 1250534 | 2 | SIDE SHIELD |
| 23 | 122.008.020 | 12 | BOLT,HX,FL,CL10.9 M8X20 |
| 24 | 128.008 | 12 | NUT,HX,FL,STV,CL10 M8 |

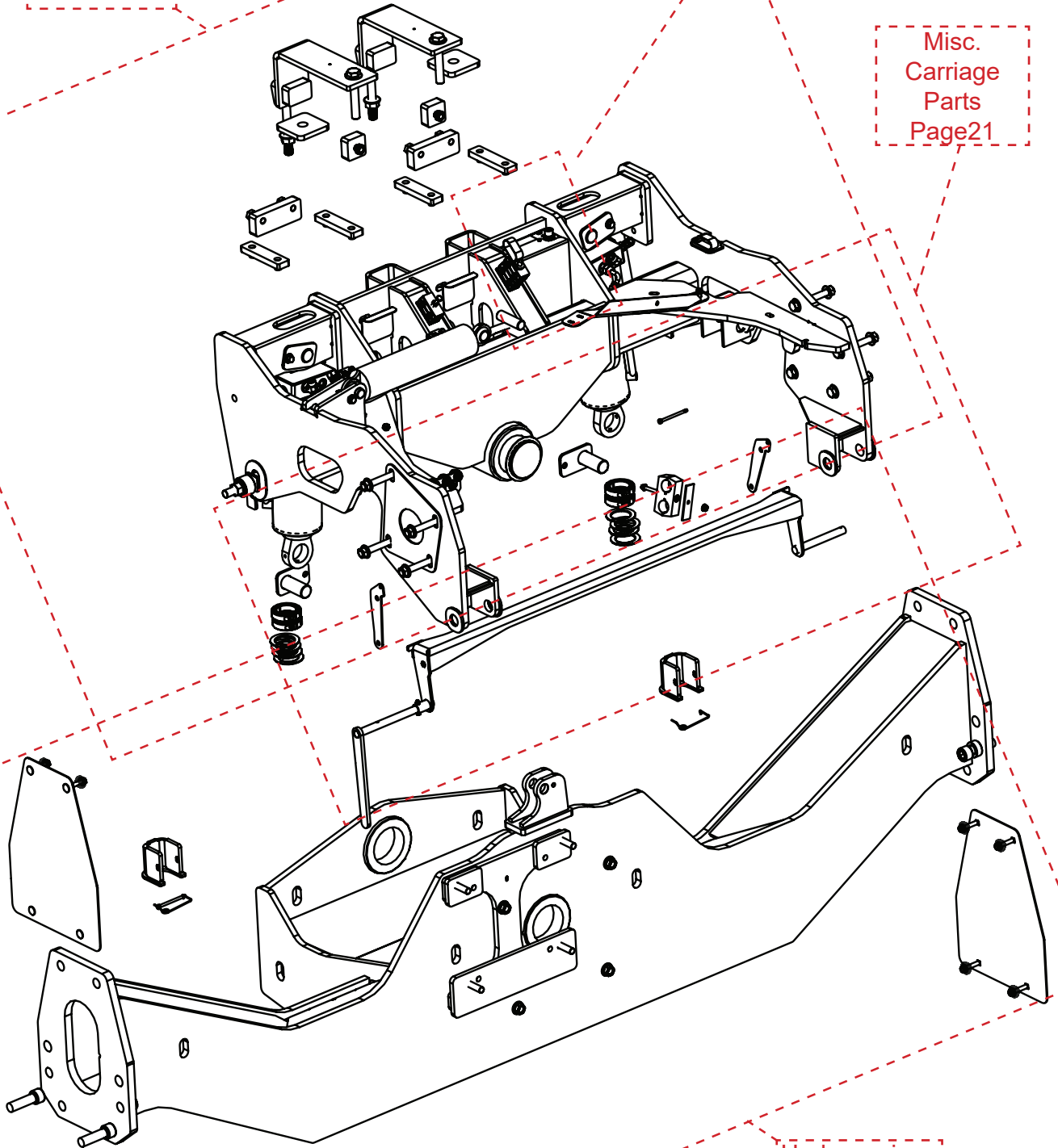
Model JS7020 Hillco Leveling System
For Serial Numbers JS7020-23001 thru JS7020-23999

Carriage

Overcarriage
Page 17

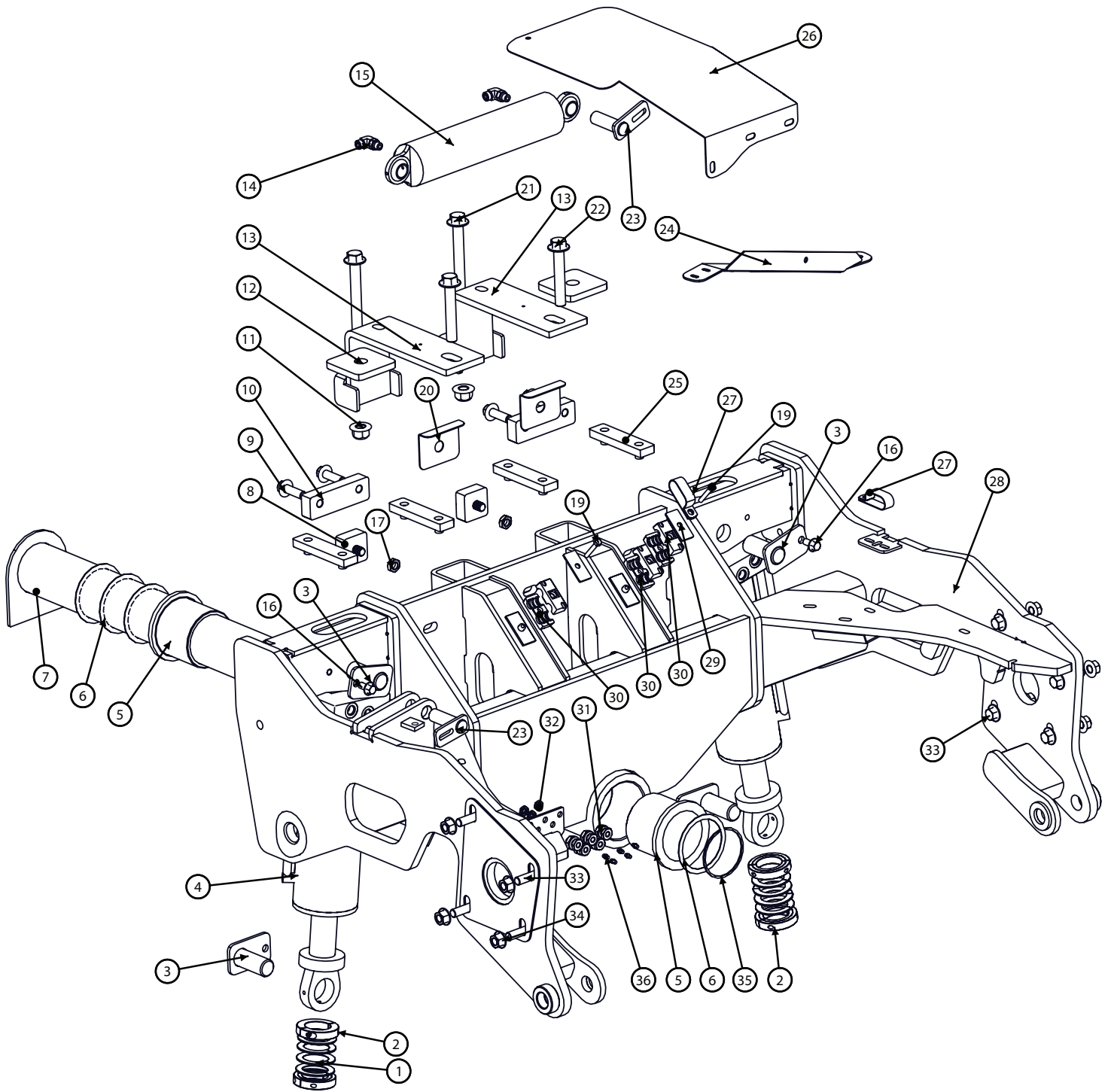
Carriage
Position Sensor
Page 22

Misc.
Carriage
Parts
Page 21



Model JS7020 Hillco Leveling System
For Serial Numbers JS7020-23001 thru JS7020-23999

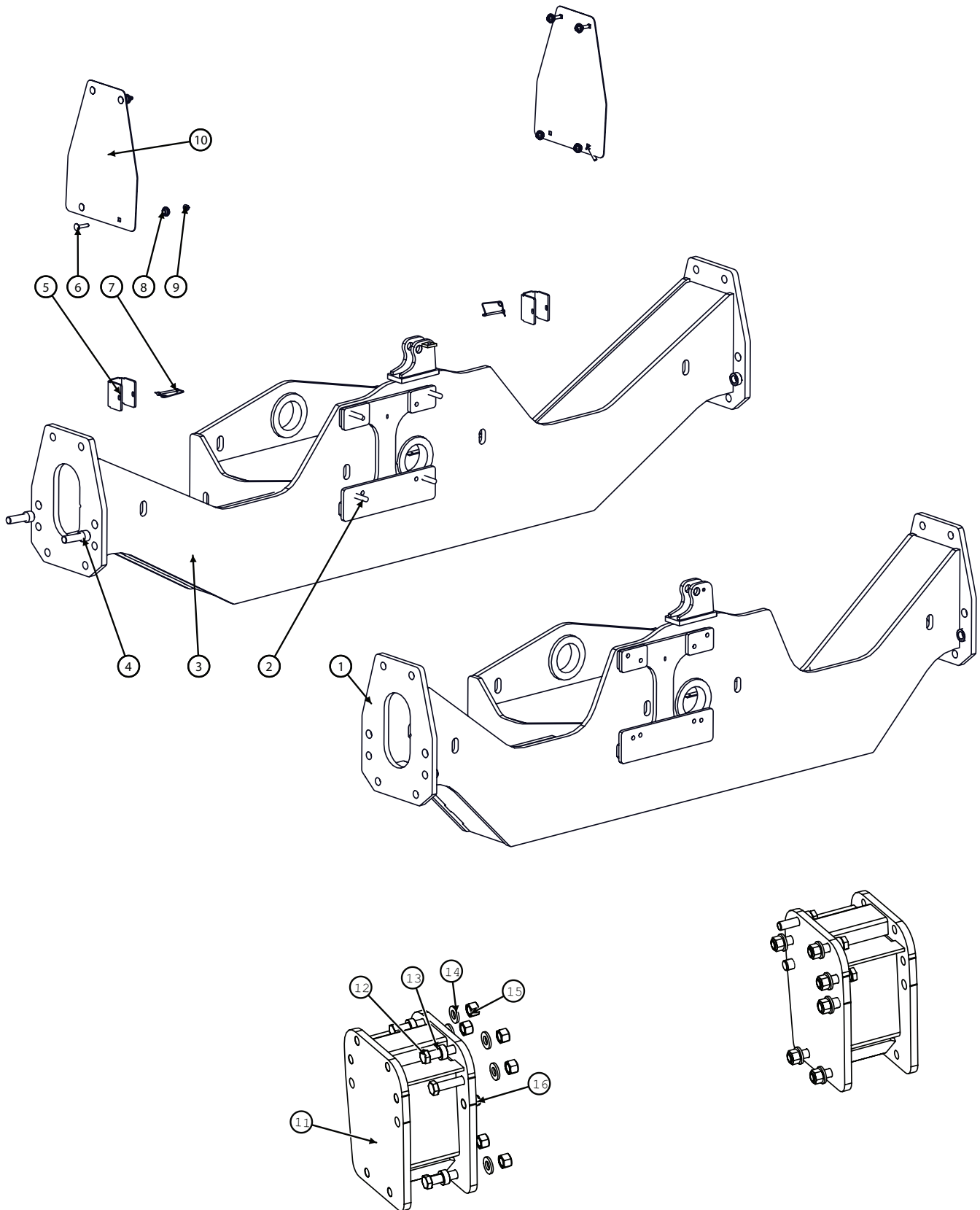
Overcarriage



Model JS7020 Hillco Leveling System
For Serial Numbers JS7020-23001 thru JS7020-23999

| Overcarriage | | | |
|---------------------|-----------------|------------|--------------------------------|
| BOM ID | Part No. | Qty | Description |
| 1 | 137501 | 8 | WASHER, QUICK REPAIR |
| 2 | 153241 | 4 | COLLAR, CLAMPING |
| 3 | 1230552 | 4 | PIN, MAIN CYLINDER |
| 4 | 155860 | 2 | CYLINDER,LEVELING,DUAL CB |
| 5 | 1247961 | 2 | PIVOT BUSHING |
| 6 | 138641 | 4 | 4.016ID X 4.7640D X 048 |
| 7 | 1291351 | 1 | PIVOT PIN |
| 8 | 1296581 | 2 | UPPER CARRIAGE SHIM |
| 9 | 122.016.035 | 4 | BOLT,HX,FL,CL10.9,M16X35 |
| 10 | 1291731 | 2 | CARRIAGE LOCK (9010) |
| 11 | 128.020 | 2 | NUT,HX,FL,STV,CL10 M20 |
| 12 | 1297901 | 2 | SPACER, TUBE CLAMP |
| 13 | 1293631 | 2 | AXLE CLAMP |
| 14 | 1006.06.06 | 2 | -6FORFS X -6MORFS, 90 |
| 15 | 140342 | 1 | CYLINDER, CROSS PORT |
| 16 | 122.012.025 | 2 | BOLT,HX,FL,CL10.9 M12X25 |
| 17 | 165.016 | 2 | NUT,HX,JAM,CL8 M16 |
| 18 | 139471 | 1 | STACK BOLT, BEHRINGER |
| 19 | 101.005.08 | 2 | BOLT,HX,GR5 5/16 -18 X 1 3/4 |
| 20 | 1270042 | 2 | CARRIAGE SHIM |
| 21 | 122.020.220 | 2 | BOLT,HX,FL,CL10.9 M20 |
| 22 | 122.020.120 | 2 | BOLT,HX,FL,CL10.9 M20 |
| 23 | 1345961 | 2 | CYLINDER PIN, TRIM |
| 24 | 1274902 | 1 | SUPPORT, HYDRO HOSE |
| 25 | 1293561 | 4 | LOWER CARRIAGE SHIM |
| 26 | 1274252 | 1 | TABLE, HYDRO HOSE |
| 27 | 147781 | 2 | CLAMP 1/4" DOUBLE LOOP 3/8HOLE |
| 28 | 1291335 | 1 | OVERCARRIAGE |
| 29 | 139231 | 2 | COVER PLATE,TWIN |
| 30 | 139481 | 3 | CLAMP, TWIN, BEHRINGER -.620 |
| 31 | 155157 | 5 | BULKHEAD,GREASE,STR, |
| 32 | 155158 | 5 | BULKHEAD,LOCKNUT |
| 33 | 122.016.120 | 8 | BOLT, HX, FL, CL10.9, M16X120 |
| 34 | 123.016 | 8 | NUT,HX,FL,CL10 M16 |
| 35 | 138651 | 1 | SNAP RING; 4" |
| 36 | 138011 | 5 | ZERK,STR, 1/4-28MTAPER |

Undercarriage

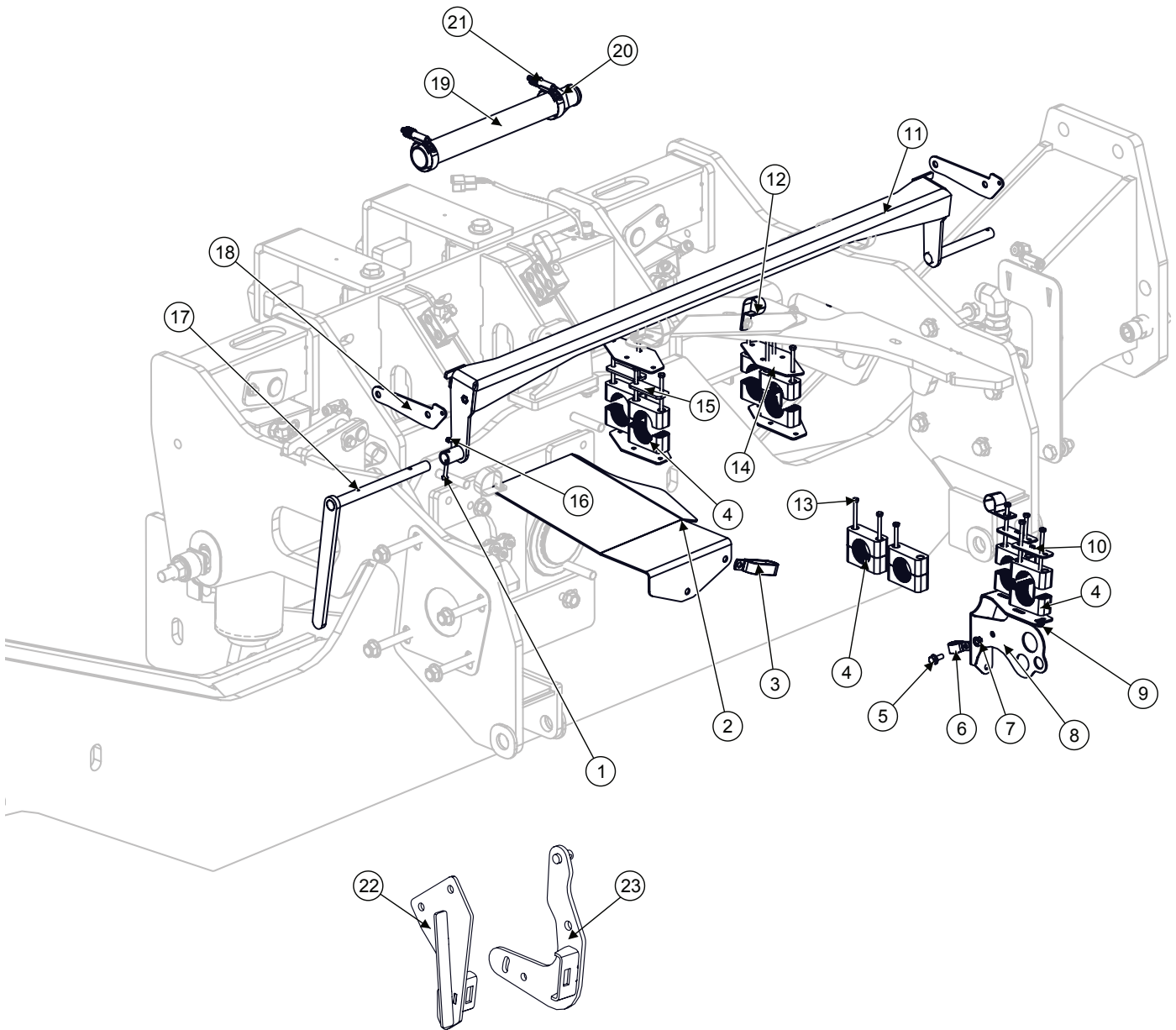


Model JS7020 Hillco Leveling System
For Serial Numbers JS7020-23001 thru JS7020-23999

| Undercarriage | | | |
|----------------------|-----------------|------------|--------------------------------------|
| BOM ID | Part No. | Qty | Description |
| 1 | 1292921 | 1 | UNDERCARRIAGE, NARROW, 96.25", |
| 2 | 155.016.075 | 4 | STUD, DOUBLE-10.9 |
| 3 | 1290813 | 1 | UNDERCARRIAGE, WIDE, 114.75" |
| 4 | 159.024.080 | 2 | SCREW,SHC,CL12.9 M24 |
| 5 | 1307161 | 2 | CYLINDER STOP |
| 6 | 163.010.050 | 7 | BOLT,CARR,CL8.8 M10 |
| 7 | 146.004.048 | 2 | PIN,SNAP,LCK |
| 8 | 151021 | 8 | BUSHING, PLASTIC |
| 9 | 123.010 | 8 | NUT,HX,FL,CL10 M10 |
| 10 | 1293831 | 2 | CAP, AXLE |
| 11-16 | 1253141 | 1 | NARROW UNDERCARRIAGE AXLE EXTENSIONS |
| 11 | 1253132 | 2 | LM WLD, 9.25 AXLE EXTENSION |
| 12 | 121.024.110 | 12 | M24 X 3 X 110 HEX CAP |
| 13 | LM-266382 | 8 | CU TM, SPACER-FINAL DRIVE |
| 14 | 141121 | 12 | FW M25.4 X 50.0 X 6.0 |
| 15 | 126.024 | 12 | STOVER NUT 24MX3 |
| 16 | LM-253871 | 4 | LM RND, DOWEL |

Model JS7020 Hillco Leveling System
For Serial Numbers JS7020-23001 thru JS7020-23999

Carriage Misc. Parts

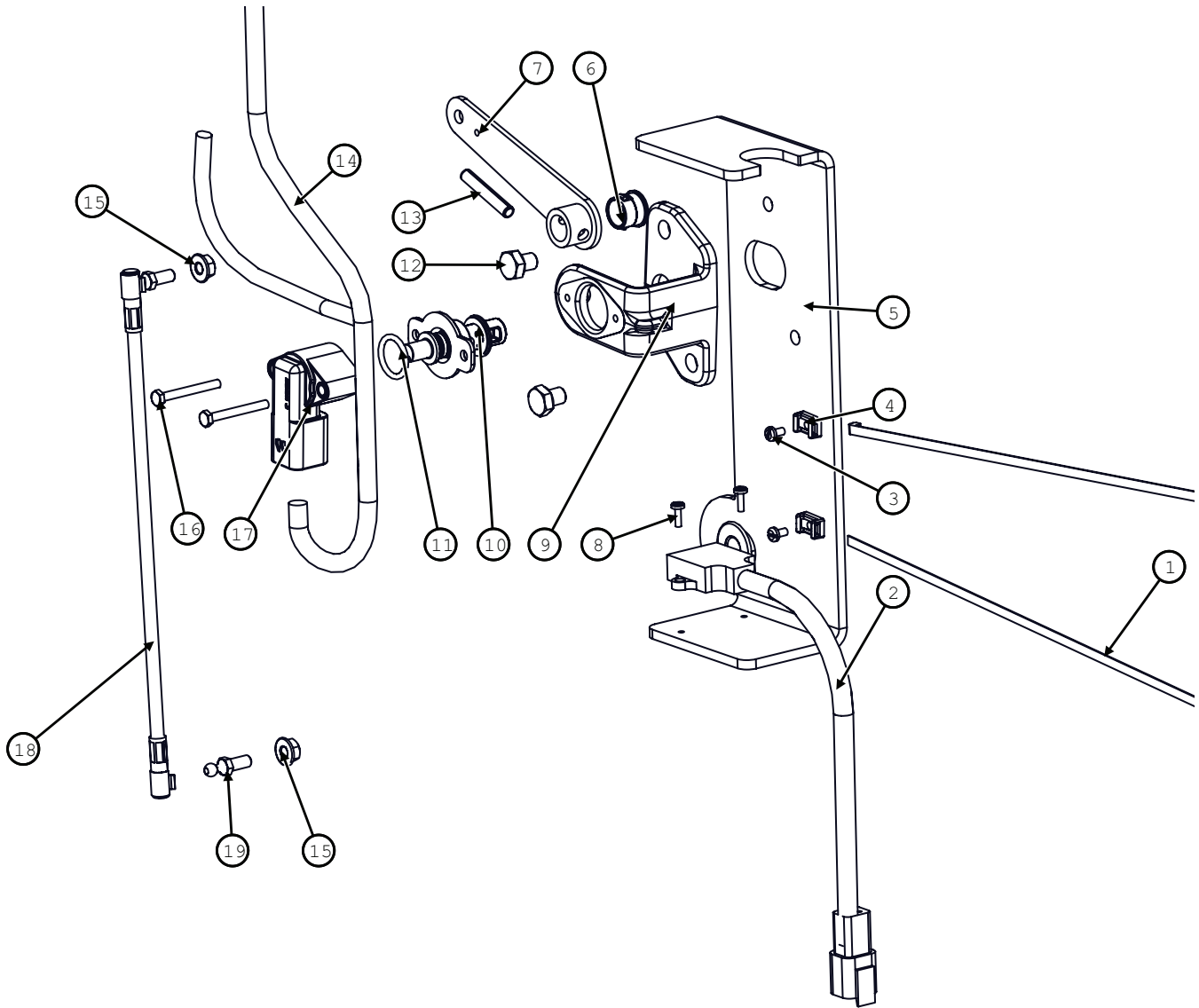


Model JS7020 Hillco Leveling System
For Serial Numbers JS7020-23001 thru JS7020-23999

| Overcarriage Misc. | | | |
|--|-----------------|------------|--|
| BOM ID | Part No. | Qty | Description |
| 1 | 121.006.035 | 1 | HC-10.9 M6x1.0X35 |
| 2 | 1274252 | 1 | HM PLT, TABLE HYDRO HOSE |
| 3 | 1151781 | 1 | CLAMP, P-STYLE (JD#AH77884) |
| 4 | 155171 | 8 | CLAMP, 1.75" BEHRINGER STD |
| 5 | 122.008.025 | 1 | FLHC-10.9M8X1.25X20 |
| 6 | 135791 | 1 | CLAMP, HOSE 7/8 R/C W 3/8HOLE (JD#AH78237) |
| 7 | 123.008 | 1 | FLHN-10.9M8X1.25 |
| 8 | 1297312 | 1 | LM WLD, HYDRO HOSE SUPPORT |
| 9 | 123.006 | 4 | FLHN-10.9 M6 |
| 10 | 140651 | 2 | BEHRINGER STD COVER PLATE |
| 11 | 1264512 | 1 | LM ASM, LINKAGE, ROCK TRAP |
| 12 | 143601 | 2 | CLAMP, HOSE 1-1/8" R/C W 3/8 |
| 13 | 170.006.090 | 15 | HC-8.8 M6 X 1.00 X 90 |
| 14 | 1274231 | 4 | HM PLT, HYDRO HOSE SUPPORT |
| 15 | 1276391 | 2 | HM CLAMP SPACER |
| 16 | 191.006 | 1 | HN-8.8M6X1.0 NYLOCK |
| 17 | 1264501 | 1 | LM ASM, HANDLE, ROCK TRAP |
| 18 | 1290742 | 2 | LM SHT, ROCK TRAP LINKAGE, UPPER |
| NS | 1348562 | 2 | STONE DOOR LINKAGE |
| 19 | 1276351 | 1 | HOSE, 1-1/2" BELLOWSFLEX HARDWALL 14" |
| 20 | 1063.24.24 | 1 | UNION, -24MB x -24MB |
| 21 | 152061 | 2 | CLAMP, HOSE, WORM GEAR, 1.5" TO 2.5" |
| HIGH MOISTURE KIT ROCK TRAP LINKAGE | | | |
| 22 | 1348311 | 2 | FEEDERHOUSE DOOR BRACKET |
| 23 | 1348341 | 2 | FEEDERHOUSE DOOR STANDOFF |

Model JS7020 Hillco Leveling System
For Serial Numbers JS7020-23001 thru JS7020-23999

Carriage Position Sensor

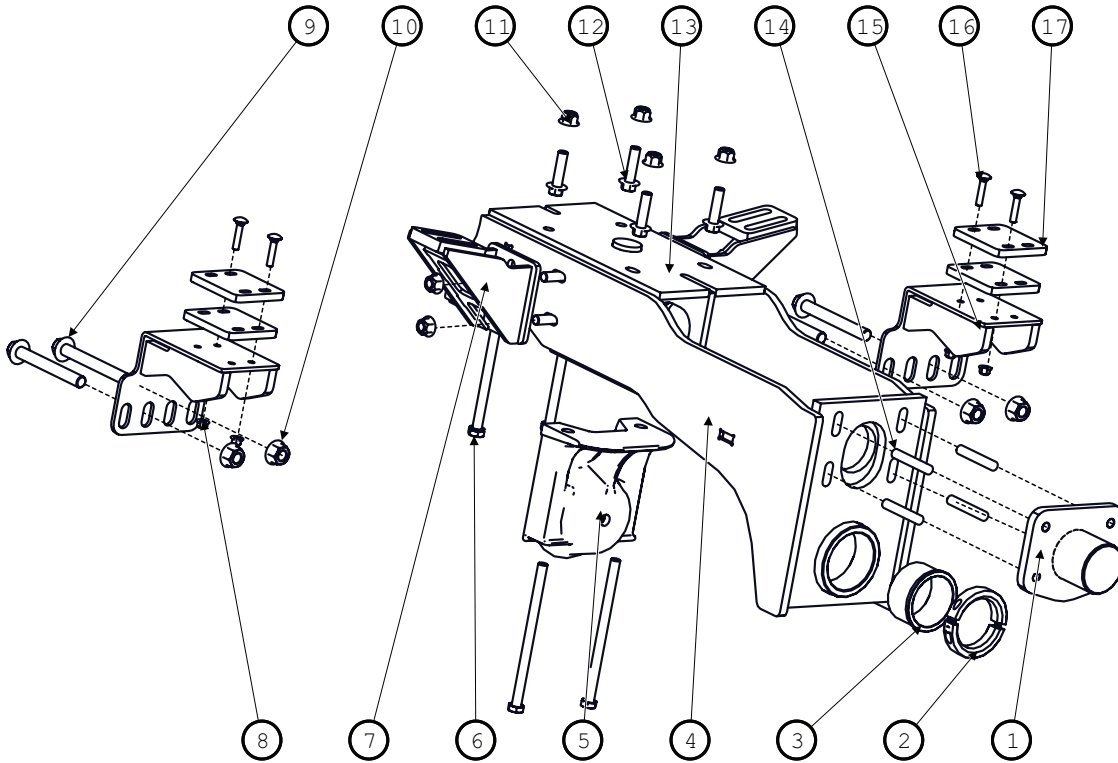


Model JS7020 Hillco Leveling System
For Serial Numbers JS7020-23001 thru JS7020-23999

| Carriage Position Sensor | | | |
|---------------------------------|------------------------|------------|--|
| BOM ID | Hillco Part No. | Qty | Description |
| 1 | 141341 | 2 | WIRE TIE 3/16"x15" |
| 2 | 1347142 | 1 | CLINOMETER |
| 3 | 115.#06 | 2 | SCREW,PHM,SH 6-32X1/4 |
| 4 | 153641 | 2 | CABLE TIE MOUNT, |
| 5 | 1347272 | 1 | SENSOR MNT |
| 6 | 151361 | 1 | BUSHING (JD#R41076) |
| 7 | 151371 | 1 | ARM, ASSY, TILT SENSOR, HM (AXE17303) |
| 8 | 114.#06 | 2 | PAN HEAD SCREW 6-32X3/8 |
| 9 | 151321 | 1 | BRACKET, SENSOR MNT (HXE16001) |
| 10 | 151401 | 1 | SHAFT, ROUGH SERVICE DEVICE (AXE14888) |
| 11 | 151391 | 1 | O-RING, 11/16ID (P48347) |
| 12 | 178.008.010 | 2 | BOLT M8X10 |
| 13 | 201.006.036 | 1 | PIN, ROLL 6mm x 36mm |
| 14 | 1347161 | 1 | SENSOR PACKAGE HARNESS |
| 15 | 123.006 | 2 | M6 X 1.0 |
| 16 | 170.004.035 | 2 | BOLT M4X35 |
| 17 | 151381 | 1 | SENSOR, ROTATION, HALL 2CH +/-120DE (AXE14246) |
| 18 | 151331 | 1 | LINKAGE, POSITION (AH226146) |
| 19 | 151341 | 1 | BALL STUD (H168732) |

Model JS7020 Hillco Leveling System
 For Serial Numbers JS7020-23001 thru JS7020-23999

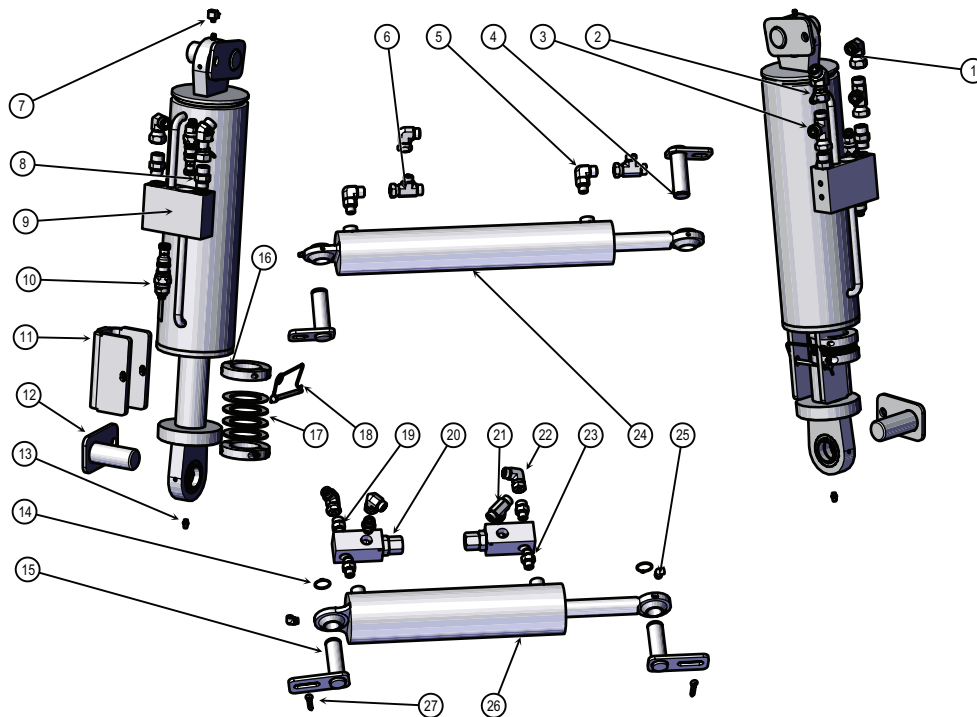
DROP AXLE



| Drop Axle | | | |
|-----------|-------------|-----|--------------------------------|
| BOM ID | Part No. | Qty | Description |
| 1 | 1291071 | 1 | PIVOT PIN |
| 2 | 145491 | 1 | COLLAR, CLAMPING 3-1/2 X 4-3/4 |
| 3 | 1235092 | 1 | BUSHING, PIVOT |
| 4 | 1291022 | 1 | DROP AXLE |
| 5 | 152471 | 1 | STAND-OFF, REAR AXLE |
| 6 | 121.016.250 | 4 | M16X250 |
| 7 | 1313541 | 2 | WING |
| 8 | 128.010 | 4 | NUT,HX,FL,STV,CL10 M10 |
| 9 | 122.020.160 | 4 | M20x160 |
| 10 | 123.020 | 4 | NUT,HX,FL,CL10 M20 |
| 11 | 128.016 | 8 | NUT,HX,FL,STV,CL10 M16X2. |
| 12 | 122.016.060 | 4 | M16X60 |
| 13 | 122.016.050 | 4 | M16X50 |
| 14 | 155.016.090 | 4 | STUD,DBL-END,CL10.9 M16X90 |
| 15 | 1299792 | 2 | ROTATION STOP |
| 16 | 163.010.050 | 4 | M10x50 |
| 17 | 1299892 | 4 | ROTATION STOP 16° |

Model JS7020 Hillco Leveling System
For Serial Numbers JS7020-23001 thru JS7020-23999

Hydraulic Components

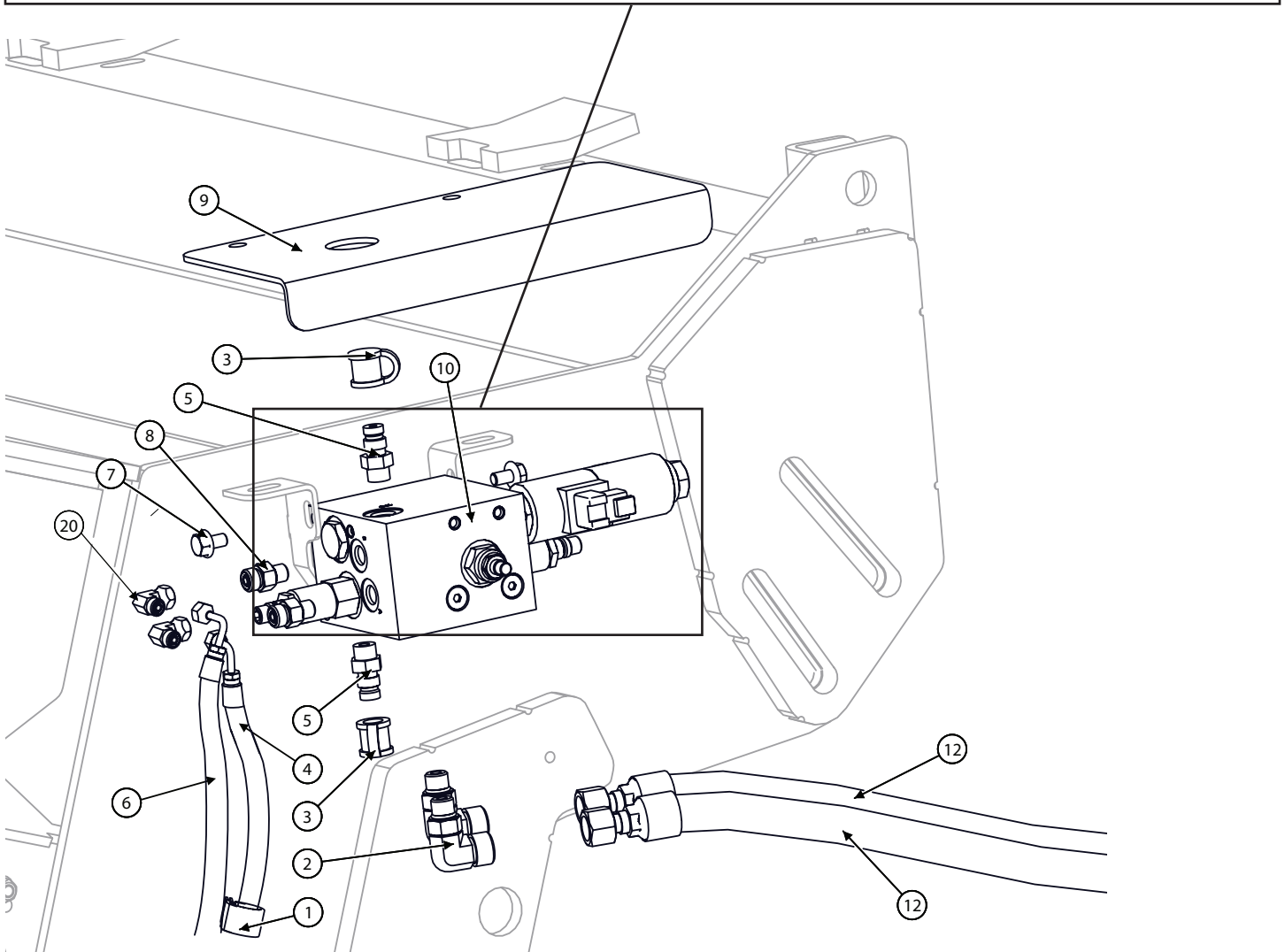
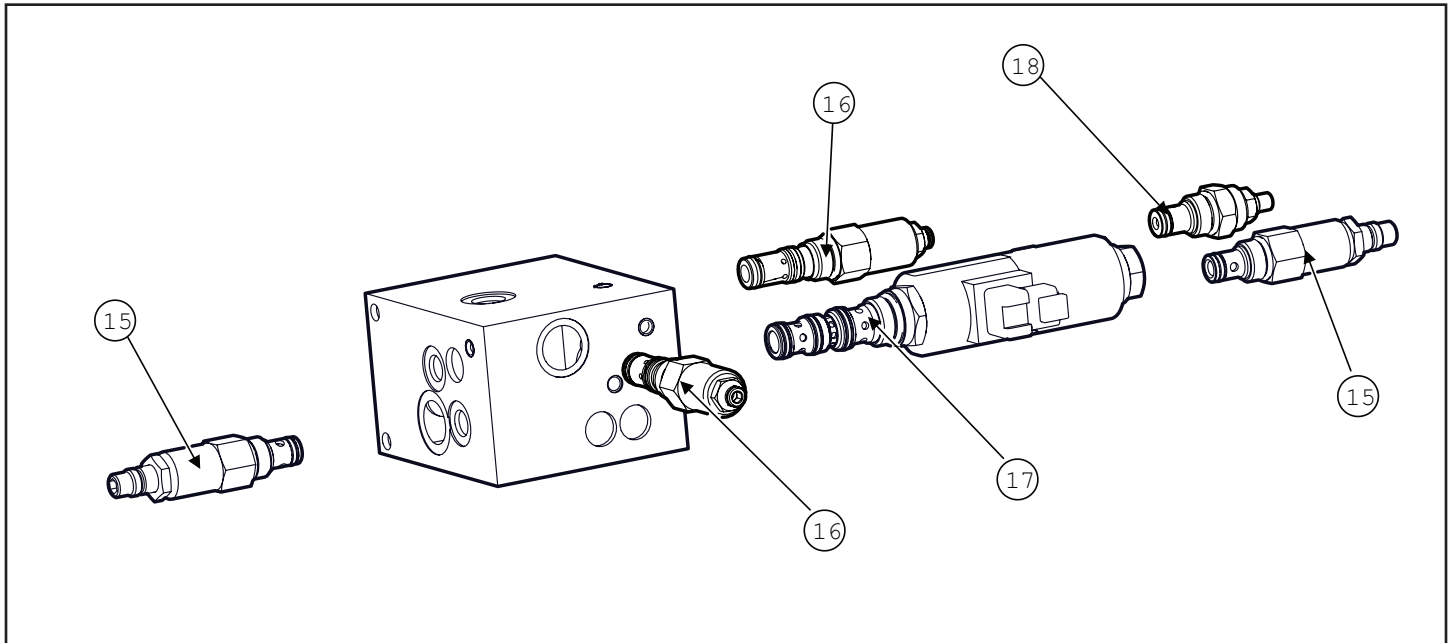


| Hydraulic Components | | | |
|----------------------|-------------|-----|--|
| BOM ID | Part No. | Qty | Description |
| 1 | 1006.08.08 | 2 | HA, 90° -8FORFS X -8MORFS |
| 2 | 1005.08.08 | 2 | -6FORFS X -6MORFS |
| 3 | 1008.08 | 2 | SWV,NUT,RUN -8ORFS |
| 4 | 1253884 | 2 | CYLINDER PIN, |
| 5 | 1003.06.06 | 2 | -6MORB X -6MORFS |
| 6 | 1008.06 | 2 | SWIVEL NUT, RUN, -6ORFS |
| 7 | 135761 | 2 | 1/4-28 MALE X 1/8 FPT 45 DEG |
| 8 | 1001.08.08 | 4 | HA,STR -8MORB X -8MORFS |
| 9 | 155860 | 2 | 4-1/2 BORE, 11" STROKE, 22.5" CPC |
| 10 | 155593 | 4 | COUNTERBALANCE VALVE T11 CAVITY, 5K PSI |
| 11 | 1293721 | 2 | CYLINDER STOP |
| 12 | 1230552 | 4 | PIN, MAIN CYLINDER |
| 13 | 138011 | 2 | 1/4-28MTAPER |
| 14 | 148 | 2 | EXT 1" |
| 15 | 1345961 | 2 | CYLINDER PIN, |
| 16 | 153241 | 4 | 2"IDx3"OD |
| 17 | 137501 | 8 | 3"ODx2"IDx1/8T |
| 18 | 146.004.048 | 2 | PIN,SNAP,LCK 1/4X3 |
| 19 | 1001.06.06 | 3 | -6MORBx-6MORFS |
| 20 | 155770 | 2 | RELIEF VALVE ASM |
| 21 | 1009.06 | 1 | STR THD, BRANCH, |
| 22 | 1006.06.06 | 4 | COUNTERBALANCE VALVE -6FORFS x -6MORFS |
| 23 | 1027.06.06 | 2 | -6MORBx-6MORB |
| 24 | 147491 | 1 | CYLINDER, SLAVE, 21" CPC 12-1/2" STROKE, 2-1/2" BORE |
| 25 | 135771 | 2 | ADAPTER,GREASE,90° |
| 26 | 140342 | 1 | CYLINDER,MASTER 3"B,8-3/4"S,1-3/8"R,17-1/4CPC |
| 27 | 142.004.016 | 2 | PIN, COTTER 1/4" X 1" |

Model JS7020 Hillco Leveling System
For Serial Numbers JS7020-23001 thru JS7020-23999

| Leveling Manifold | | | |
|--------------------------|-----------------|------------|--|
| BOM ID | Part No. | Qty | Description |
| 1 | 1295781 | 1 | 100R17-12X252" |
| 2 | 1001.16.16 | 1 | HA,STR |
| 3 | 143441 | 1 | OIL (AH125733) |
| 4 | 1295771 | 1 | 100R17AR-12X23", |
| 5 | 1296121 | 1 | MOUNT, RETURN FILTER |
| 6 | 122.006.040 | 2 | BOLT,HX,FL,CL10.9 M6X40 |
| 7 | 122.010.020 | 2 | BOLT,HX,FL,CL10.9 M10X20 |
| 8 | 123.006 | 2 | M6 X 1.0 |
| 9 | 155860 | 1 | CYLINDER,LEVELING,DUAL CB |
| 10 | 122.008.025 | 2 | BOLT,HX,FL,CL10.9 M8X25 |
| 11 | 123.008 | 4 | M8x1.25 |
| 12 | 1003.12.10 | 1 | HA,90° |
| 13 | 1346221 | 1 | MANIFOLD, LEVELING, HIGH-FLOW, |
| 14 | 144001 | 1 | DUST COVER |
| 15 | 1295741 | 1 | 100R17AR-10X252" |
| 16 | 143991 | 1 | COUPLER, |
| 17 | 1001.12.10 | 2 | -12MORB X -10MORFS |
| 18 | 1003.12.12 | 1 | HA,90° |
| 19 | 1019.04 | 1 | SKT,HD PLUG |
| 20 | 111.005.008 | 2 | BOLT,HX,FL,GR5 5/16-18X1/2 |
| 21 | 163.008.020 | 2 | BOLT,CARR,CL8.8 M8X20 |
| 22 | 1313601 | 1 | MANIFOLD MOUNT |
| 23 | 155234 | 1 | CAVITY PLUG, 3 WAY, 10 SERIES |
| 24 | 155238 | 1 | CAVITY PLUG, 2 WAY, 10 SERIES |
| 25 | 155855 | 1 | CARTRIDGE VALVE,3 POS,4 WAY, PROPORTIONAL, 16GPM |
| 26 | 155854 | 2 | SOLENOID COIL,M19,PROP,DEUTSCH |
| 27 | 155236 | 1 | CHECK VALVE, REVERSE DIRECTION |

Header Trim Manifold
(Only on combines without factory Header Tilt.)

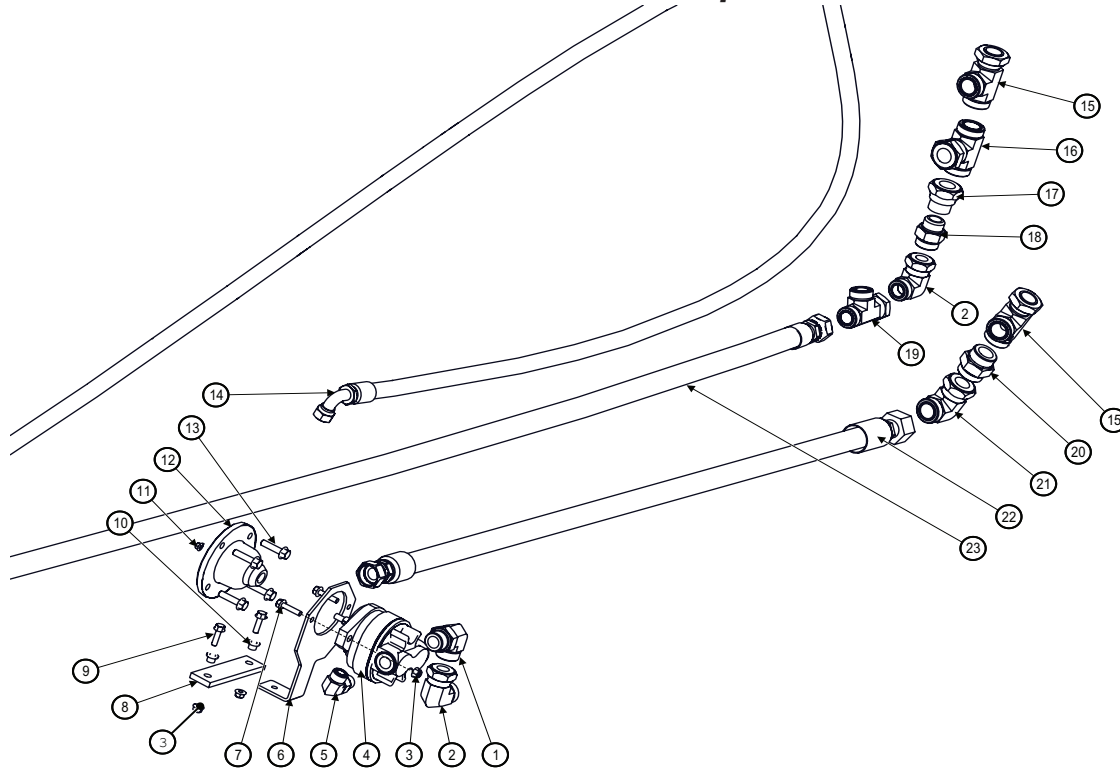


Model JS7020 Hillco Leveling System
For Serial Numbers JS7020-23001 thru JS7020-23999

| Header Trim Manifold | | | |
|-----------------------------|-----------------|------------|--|
| BOM ID | Part No. | Qty | Description |
| 1 | 135791 | 2 | CLAMP, HOSE |
| 2 | 1003.08.06 | 2 | -8MORB X -6MORFS |
| 3 | 144001 | 2 | DUST COVER |
| 4 | 1322112 | 1 | 100R17-04 67", |
| 5 | 143991 | 2 | COUPLER, |
| 6 | 1322101 | 1 | 100R17-04X80", |
| 7 | 111.005.008 | 2 | BOLT,HX,FL,GR5 5/16-18X1/2 |
| 8 | 1001.04.04 | 2 | HA,STR |
| 9 | 155860 | 1 | CYLINDER,LEVELING,DUAL CB |
| 10 | 1331781 | 1 | MANIFOLD, CUSTOM, TRIM |
| 12 | 1322781 | 2 | 100R17AR-04x72", |
| 13 | 1008.06 | 2 | SWIVEL NUT, RUN, -6ORFS |
| 15 | 155243 | 2 | CARTRIDGE, PRESSURE RELIEF, |
| 16 | 155742 | 2 | CARTRIDGE, COUNTERBALANCE CP08-3L CAVITY |
| 17 | 155249 | 1 | CARTRIDGE VALVE, 3 POS,4 WAY (INCLUDES 155248) |
| 18 | HC-145501 | 1 | VALVE, NEEDLE |
| 19 | 155248 | 2 | SOLENOID COIL, CARTRIDGE, PROP |
| 20 | 1006.04.04 | 2 | -4FORFS X -4MORFS 90° |

Model JS7020 Hillco Leveling System
 For Serial Numbers JS7020-23001 thru JS7020-23999

Gear Pump



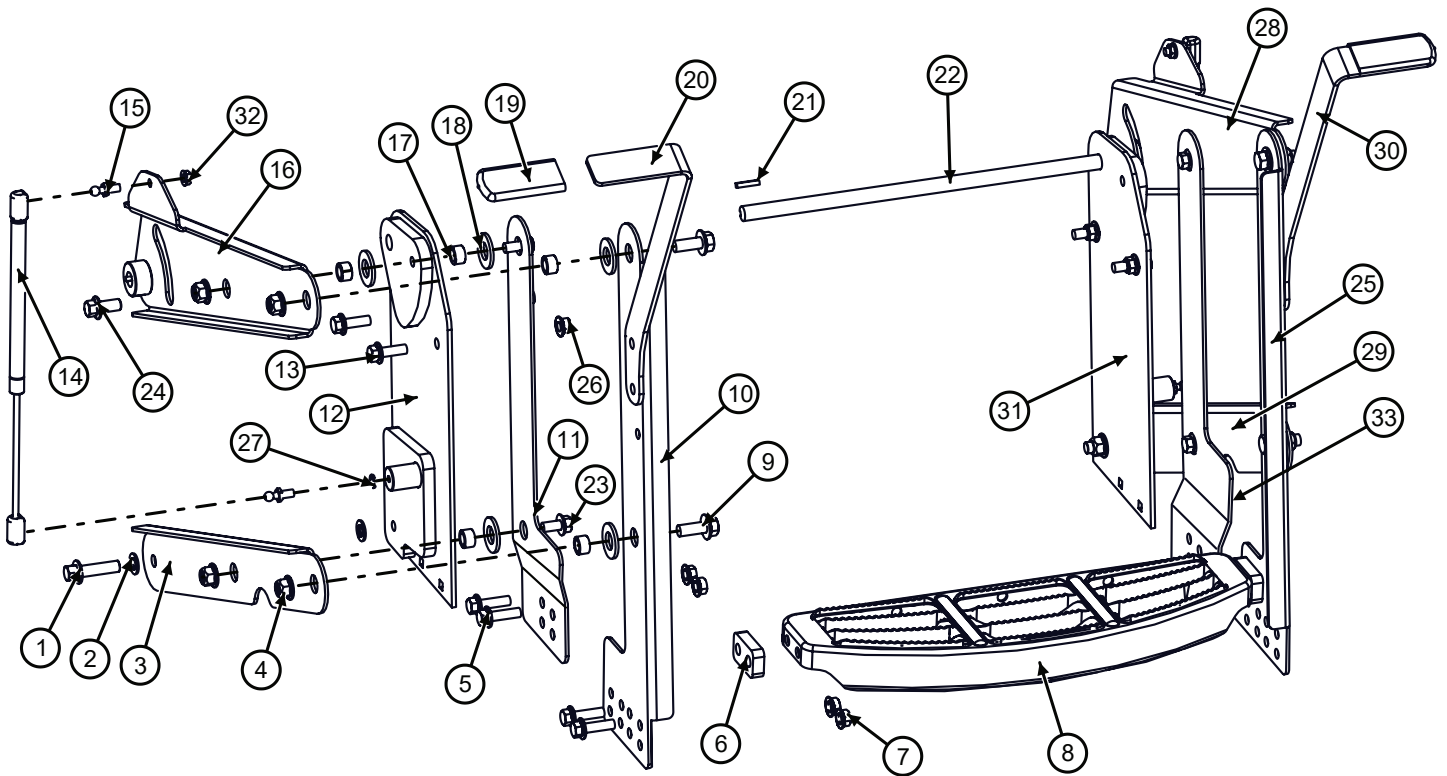
| Gear Pump | | | |
|-----------|-------------|-----|-----------------------------------|
| BOM ID | Part No. | Qty | Description |
| 1 | 1003.16.16 | 1 | HA, 90° -16MORB X -16MORFS |
| 2 | 1006.16.16 | 2 | HA, 90° -16FORFS X -16MORFS |
| 3 | 128.008 | 4 | NUT,HX,FL,STV,CL10 M8 X 1.25 |
| 4 | 148181 | 1 | HYDRAULIC PUMP ASM, REEL DRIVE |
| 5 | 1003.10.10 | 1 | HA, 90° -10MORB X -10MORFS |
| 6 | 1314191 | 1 | TORQUE ARM |
| 7 | 122.008.035 | 2 | BOLT, HX, FL, CL10.9 M8 X 35 |
| 8 | HXE28413 | 1 | SHT UHMW, BLK 1/2 |
| 9 | 122.008.030 | 2 | BOLT, HX, FL, CL10.9 M8 X 35 |
| 10 | A44913 | 1 | BUSHING |
| 11 | 192.006 | 1 | NUT,HX,FL,STV,GR8, 3/8-16 |
| 12 | 155990 | 1 | HUB, PUMP SUPPORT, (JD# HXE18218) |
| 13 | 122.010.040 | 4 | BOLT,HX,FL,CL10.9 M10X40 |
| 14 | 1295741 | 1 | 100R17-12X252" |
| 15 | 1008.20 | 2 | HA,TEE,SWV,NUT,RUN-20ORFS |
| 16 | 1010.20 | 1 | HA,TEE,SWV,NUT,BRA -20 ORFS |
| 17 | 1004.20.16 | 1 | HA,STR, |
| 18 | 1023.33.16 | 1 | M33MMSTx-16MORFS |
| 19 | 1008.16 | 1 | HA, TEE, SWV, NUT, RUN-16ORFS |
| 20 | 1023.42.20 | 2 | HA, STR, M42MMST X -20MORS |
| 21 | 1006.20.20 | 1 | HA, 90° -20FORFS X -20MORFS |
| 22 | 1295791 | 1 | HH ASM, 100R17AR -16 X 55" |
| 23 | 1295782 | 1 | HH ASM, 100R17 -12 X 232" |

Model JS7020 Hillco Leveling System
For Serial Numbers JS7020-23001 thru JS7020-23999

Hydraulic Hoses

| Part No | Qty | Description | Hose Specs |
|---------|-----|---|---|
| 1138944 | 1 | Grease Hose | HLB-02X33-1/2", -02MPSWVL STR X 1/8-27NPSM STR |
| 1138953 | 1 | Grease Hose | HLB -02X40" -02MP SWVL STR X 1/8-27NPSM STR |
| 1138964 | 1 | Grease Hose | HLB -02X54", -02MP STR SWVL X 1/8 -27NPSM STR |
| 1138975 | 2 | Grease Hose | HLB -02X68" -02MP STR SWVL X 1/8-27NPSM STR |
| 1140383 | 1 | Extends Reverse Hydro Line | HOSE ASM, EFG6K, 79" -16SPFL 90° X -16SPFL ST |
| 1140403 | 1 | Extends Case Drain | HOSE ASM, 100R17AR -12 X 74" -12MORS;-12FORS STR |
| 1273301 | 1 | Extends Forward Hydro Line | HOSE ASM,100R15-16X89", 16SPFL STR X -16SPFL 90° D70MM |
| 1273461 | 2 | Extends Steer Hoses | HOSE ASM, 100R17AR -06 X 15" -8FORS STR X -8MORS STR |
| 1273462 | 2 | Filter head; Front & Side Port to Valve Block Ports | HOSE ASM, 100R17AR -08 X 62" -10FORS STR X -8FORS 90° D41MM |
| 1274111 | 1 | Extends Case Drain | HOSE ASM, 100R17AR -12 X 24" -16MORS STR X -16FORS STR |
| 1276631 | 1 | Extends Rear Hydrostat Line (Pro Drive) | HOSE, 100R15-16, 128", -16CD62STRX16CD62 90°,D120MM |
| 1276642 | 1 | Extends Forward Hydro Line (Pro Drive) | HOSE, 100R15-16X122", -16SPFL STRx-16SPFL 90° D70MM |
| 1595602 | 2 | Connects CB Ports V1 & V2 to Manifold Ports "A" & "B" | HOSE, 100R17AR-10X103", -08FORS;-10FORS |
| 1295741 | 1 | Pressure, Pump Outlet to "P" Port | HOSE ASM, 100R17AR-10X252" -10FORS STR;-10FORS 90° D32MM |
| 1295771 | 1 | Return, "T" Port to Filter | HOSE ASM, 100R17AR-12X23", -12FORS STR;-12FORS 90° D48MM |
| 1295782 | 1 | Connects Filter Outlet to Reservoir | HOSE ASM, 100R17-12x232"-16FORS STR; -16FORS STR |
| 1295791 | 1 | Suction | HOSE ASM, 100R17AR-16X55", -16FORS STR;-20FORS STR |
| 1295802 | 1 | Replaces JD Header Lift Hose | HOSE ASM, 100R17AR-12X86", -16FORS STR;-10FORS 90° D32MM |
| 1295882 | 1 | Connects Master Cyl to Slave Cyl | HOSE ASM, 100R17AR-06X195", -06FORS STR;-06FORS STR |
| 1296021 | 1 | Replaces JD Header Lift Hose | 100R17AR-08X49", -8MORS STR; -8FORS 90° D41MM |
| 1296901 | 1 | Extends Parking Brake Hose | HOSE ASM, 100R17AR-08x36", -8FORS STR; -8MORS STR |
| 1297421 | 1 | Extends AH226084 to Proportionator Motor Supply | HOSE ASM, 100R17AR-10X66", -10MF STR; -10FF 90°D23MM |
| 1297441 | 1 | Extends AH226085 to Proportionator Pump Supply | HOSE ASM, 100R17AR-12X66", -12MORS STR;-12FORS 90° |
| 1297452 | 1 | Replaces AH219243; Connects Rear Filter Port to Proportionator Motor Return | HOSE ASM, 100R17AR-10X127", -10FORS STR;-10FORS 90° D23MM |
| 1297481 | 1 | Extends AH226119 to The Trans Lube | HOSE ASM, 100R17AR-06 X 31", -6MORS STR X -6FORS 90° D23MM |
| 1297641 | 1 | Extends Right Brake Hose | HOSE ASM, 100R17AR-06X78", -06MORS STR X -06FORS 90° D23MM |
| 1297651 | 2 | Extends Lube and Left Brake Line | HOSE ASM, 100R17AR-06 X 60", -06MF STR; -06FF STR |
| 1299191 | 1 | Extends JH Hose to Shift Block | HOSE ASM, 100R17AR-04X15", -6MORS STR; -6FORS 90° D23MM |
| 1313913 | 1 | Connects HIC "P" & "T" Ports to Trim Hoses | HOSE ASM, 100R17-04x182", -4FF STR X -6FF STR |
| 1316861 | 1 | Extends Rear Hydrostat Line | HOSE ASM, 100R15-16, 71"-16SPFL 90°x -16SPFL STR |
| 1322102 | 1 | Connects Base Port of Cylinder to "B" Port of Trim Manifold | HH ASM, 100R17AR-04x77", -6FF STRx-4FF 90°D32MM |
| 1322113 | 1 | Connects Rod Port of Cylinder to "A" Port of Trim Manifold | HH ASM, 100R17-04 64", -6FF STR x -4FF 90° D21MM |
| 1322781 | 2 | Connects "P" & "T" Trim Manifold Ports to 1322791 Hoses | HH ASM, 451TC-04, 137", -4FF 45° X -6FF STR |
| 1331391 | 1 | Connects Master Base Port to Slave Base Port | HH ASM, 100R17AR-06X175", -06FORS STR;-06FORS STR |
| 1353021 | 1 | Connects Left Leveling Cyl to Right Leveling Cyl | HOSE, 100R17AR-06x65", -8FORS STRx-8FORS 90°D29MM |
| 1353031 | 1 | Connects Left Leveling Cyl to Right Leveling Cyl | HH ASM, 100R17AR-06x56", -8FORS STR x-8FORS 90°D29MM |
| 1356341 | 1 | Right Hand Lift Cylinder Rod Port to Tee | HH ASM, 100R17AR-10x42"; -10FORS STR x -10FORS STR |

DOUBLE STEP RETRACTABLE LADDER



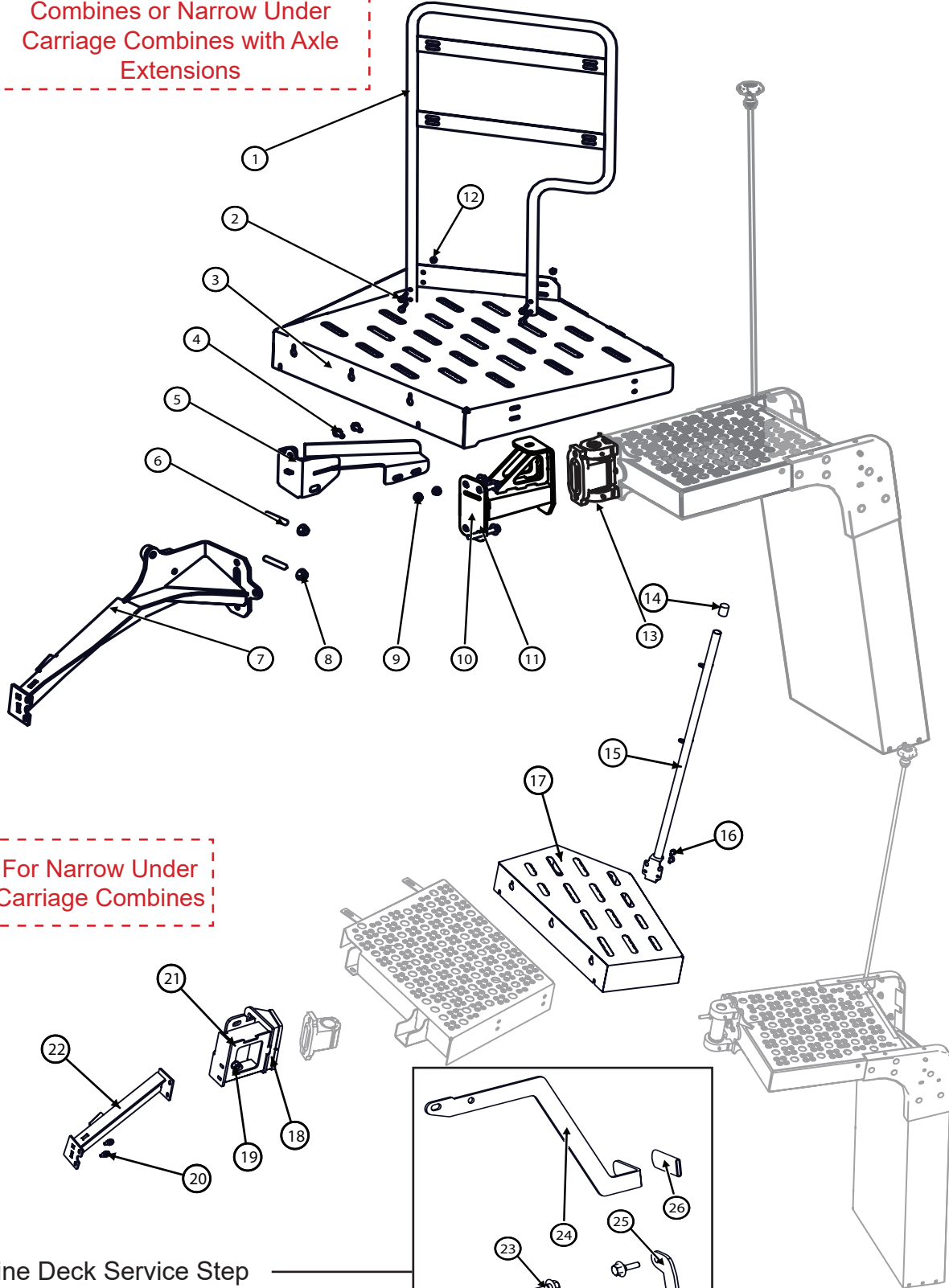
Model JS7020 Hillco Leveling System
For Serial Numbers JS7020-23001 thru JS7020-23999

Retractable Ladder

| BOM ID | Part No. | Qty | Description |
|--------|----------------|-----|--------------------------------------|
| 1-32 | P500971 | 1 | ASSEMBLY, MOVING STEP (HILLSIDE) |
| 1 | 122.012.045 | 2 | FLHC-10.9M12X1.75X45 |
| 2 | 162.014.008 | 4 | MACHINE BUSHING 14GA NR 1/2ID |
| 3 | 1329802 | 1 | LM LINK, LWR RIGHT PARALLEL |
| 4 | 128.012 | 10 | FLHN-10.9M12X1.75 STVR |
| 5 | 122.010.035 | 8 | SCREW, FLANGED HEX CAP, 10.9 |
| 6 | 1300191 | 4 | LM SPACER, STEP |
| 7 | 123.010 | 12 | FLHN-10.9 M10 X 1.50 |
| 8 | 152601 | 1 | STEP, PLATFORM, STEP (HXE19816) |
| 9 | 122.012.030 | 4 | FLHC-10.9 M12X1.75X30 |
| 10 | 1330281 | 1 | LM PLT, VERTICAL OUTER RIGHT |
| 11 | 1300113 | 1 | LM LINK, VERTICAL INNER, |
| 12 | 1300061 | 1 | LM WLD, RHT LADDER MNT |
| 13 | 122.010.030 | 4 | FLHC 10.9 M10 X 1.5 X 30 |
| 14 | 155327 | 2 | STRUT, LIFT, 100LB, 15OPC, 6" STROKE |
| 15 | 134931 | 4 | LIFT SUPPORT BRACKETS (PAIR) |
| 16 | 1329781 | 1 | LM WLD, TOP RIGHT LINK |
| 17 | 1299181 | 10 | LM BUSHING, LADDER PIVOT |
| 18 | 153.010.012 | 10 | MACHINE BUSHING 10GA WR 3/4ID |
| 19 | 151921 | 2 | GRIP, JD#W25634 |
| 20 | 1306352 | 1 | LM PLT, HANDLE, LEFT |
| NS | 1316512 | 1 | LM PLT, HANDLE, LEFT - SHORT |
| 21 | 10049.03.00016 | 2 | KEY, STR, 3/16 X 3/16 X 1 |
| 22 | 1298191 | 1 | LM RND, ROCK SHAFT |
| 23 | 122.012.030 | 4 | FLHC-10.9M10X1.75X20 |
| 24 | 122.012.025 | 2 | FLHC-10.9M12X1.75X25 |
| 25 | 1330291 | 1 | LM PLT, VERTICAL OUTER LEFT |
| 26 | 123.010 | 4 | FLHN-10.9M10X1.5 STVR |
| 27 | 136.005 | 2 | LOCK WASHER 5/16" |
| 28 | 1329851 | 1 | LM WLD, TOP LEFT LINK |
| 29 | 1329812 | 1 | LM LINK, LWR LEFT PARALLEL |
| 30 | 1300183 | 1 | LM PLT, LADDER HANDLE RIGHT |
| NS | 1316502 | 1 | LM PLT, HANDLE, RIGHT - SHORT |
| 31 | 1300051 | 1 | LM WLD, LEFT LADDER MNT |
| 32 | 119.005 | 2 | FLHN 5/16-18 |
| 33 | 1337642 | 1 | LM LINK, VERTICAL INNER, L |

Ladder Wedges & Service Ladder Extension

For Wide Under Carriage
Combines or Narrow Under
Carriage Combines with Axle
Extensions



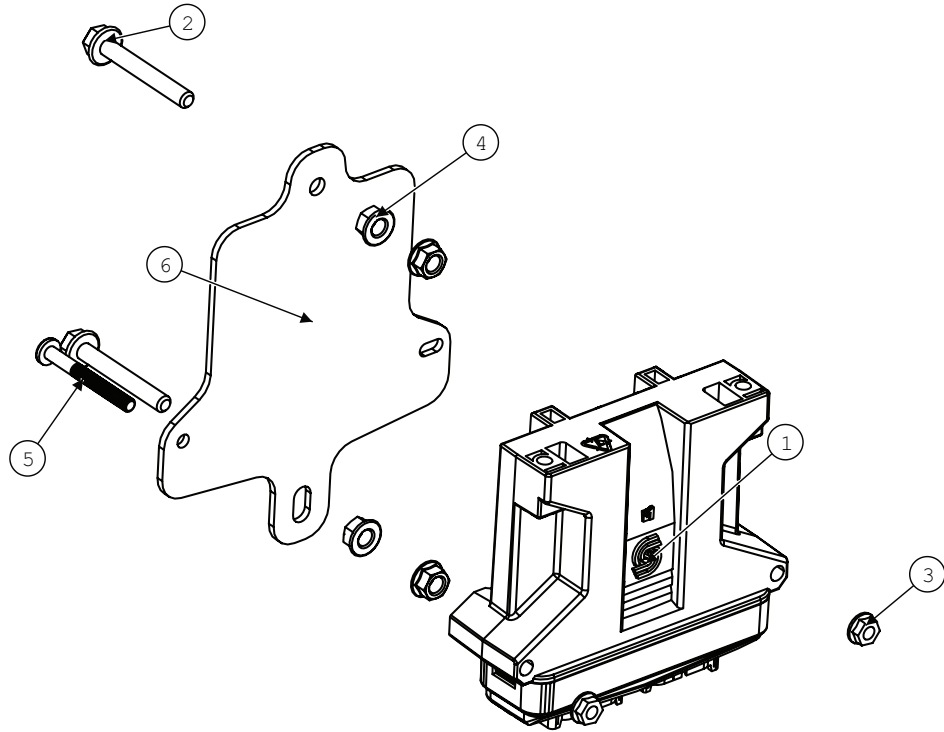
For Narrow Under
Carriage Combines

Model JS7020 Hillco Leveling System
For Serial Numbers JS7020-23001 thru JS7020-23999

| Ladder Wedge | | | |
|---------------------------------|-----------------|------------|----------------------------------|
| BOM ID | Part No. | Qty | Description |
| 1 | 1346971 | 1 | HANDRAIL 700SERIES |
| 2 | 122.008.050 | 4 | M8X50 |
| 3 | 1343161 | 1 | PLATFORM, DUAL TIRE |
| 4 | 122.012.035 | 2 | M12X35 |
| 5 | 1343141 | 1 | PIVOT LOCKOUT |
| 6 | 155.016.090 | 2 | STUD, DOUBLE-10.9 |
| 7 | 1342721 | 1 | INNER PLATFORM BEAM |
| 8 | 128.016 | 2 | M16x2.0 |
| 9 | 123.008 | 2 | CYLINDER,LEVELING,DUAL CB |
| 10 | 1343093 | 1 | 10" PIVOT EXTENSION |
| 11 | 122.016.060 | 3 | M16X60 |
| 12 | 123.008 | 4 | M8x1.25 |
| 13 | 1310061 | 1 | PIVOT |
| 14-22 | 1314181 | 1 | NARROW UNDERCARRAIGE LADDER |
| 14 | 151681 | 1 | SHORT CAP,BLK,1-1/4IDX1-1/2L |
| 15 | 1296681 | 1 | HANDRAIL CORNER |
| 16 | 122.010.020 | 1 | BOLT,HX,FL,CL10.9 M10X20 |
| 17 | 1301102 | 4 | NARROW PLATFORM |
| 18 | 1300681 | 1 | PIVOT EXTENSION |
| 19 | 123.016 | 2 | NUT,HX,FL,CL10 M16 |
| 20 | 122.016.050 | 1 | BOLT,HX,FL,CL10.9 M16X50 |
| 21 | 122.016.050 | 12 | BOLT, HX, FL, CL 10.9 M16X50 |
| 22 | 1296081 | 1 | LADDER BRACE |
| Engine Deck Service Step | | | |
| 23-26 | 1340581 | 1 | SERVICE LADDER EXTENSION |
| 23 | 1348281 | 2 | SERVICE LADDER HINGE |
| 24 | 1340591 | 1 | HANDLE, SERVICE LADDER EXTENSION |
| 25 | 1340571 | 1 | SERVICE LADDER EXTENSION |
| 26 | 151921 | 1 | GRIP |

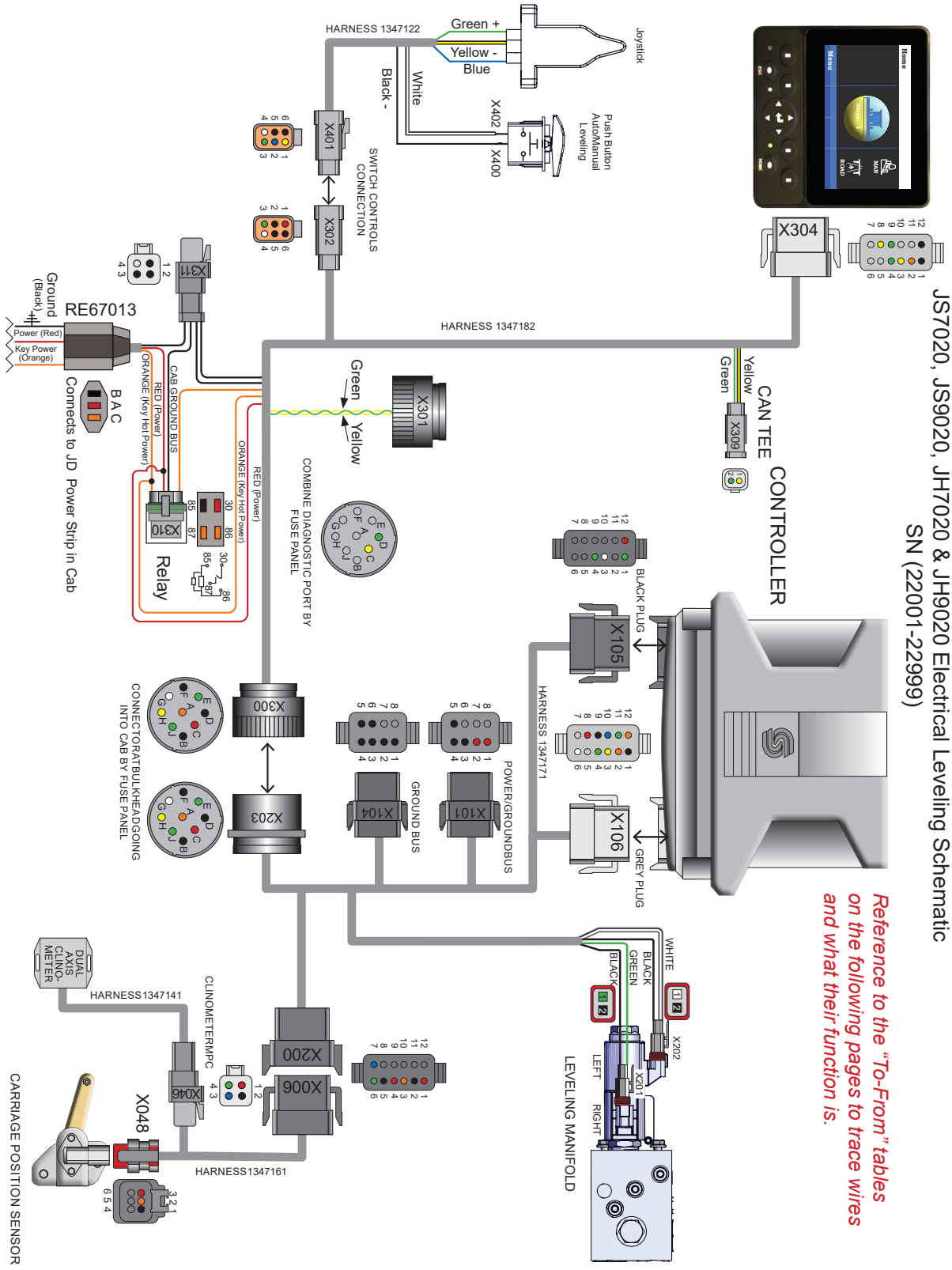
Model JS7020 Hillco Leveling System
 For Serial Numbers JS7020-23001 thru JS7020-23999

Controller Harnesses



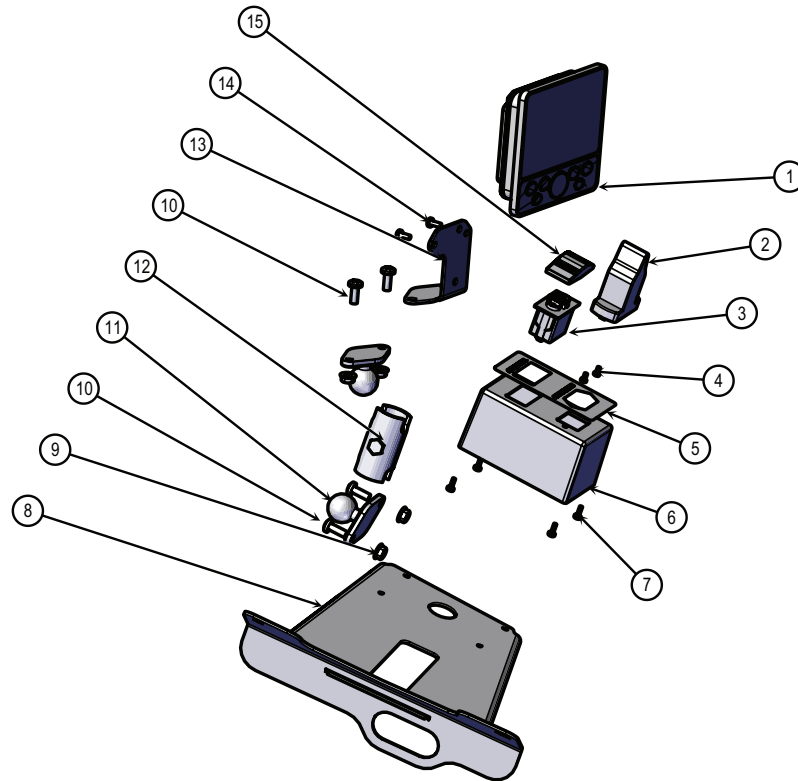
| Electrical Components | | | |
|-----------------------|-------------|----------------------------|--|
| BOM ID | Part No. | Qty | Description |
| 1-6 | 1347261 | 1 | EM ASM, CONTROLLER W/MNT |
| 1 | 1346644 | 1 | SAUER-DANFOSS PLUS 1 CONTROLLER |
| 2 | 122.008.060 | 2 | FLHC-M08X1.25X60 |
| 3 | 119.004 | 2 | FLHN-GR5 1/4-20 |
| 4 | 123.008 | 4 | FLHN 10.9 M8 X 1.25 |
| 5 | 114.004.036 | 2 | PHMS-GR5-1/4-20 X 2-1/4" |
| 6 | 1295201 | 1 | EM PLT, CONTROLLER MNT |
| Wiring Harnesses | | | |
| BOM ID | Part No. | Description | Purpose |
| NS | 1295342 | EM HARNESS, TA SENSOR | TRANSITION TILT SENSOR |
| NS | 1320731 | HEADER TRIM | CONNECTS TRIM MANIFOLD TO DEERE CONTOUR MASTER |
| NS | 1322771 | TRIM SIGNAL EXTENSION | CONNECTS TRIM MANIFOLD TO DEERE CONTOUR MASTER |
| NS | 1347122 | SWITCH BOX | JOYSTICK AND AUTO/MANUAL |
| NS | 1347161 | EM HARNESS, SENSOR PACKAGE | SENSOR PACKAGE WIRING |
| NS | 1347171 | PRIMARY HARNESS | CONNECTS CONTROLLER AND MANIFOLD |
| NS | 1347182 | CAB, 700 SERIES | MAIN CAB HARNESS |

Model JS7020 Hillco Leveling System
 For Serial Numbers JS7020-23001 thru JS7020-23999



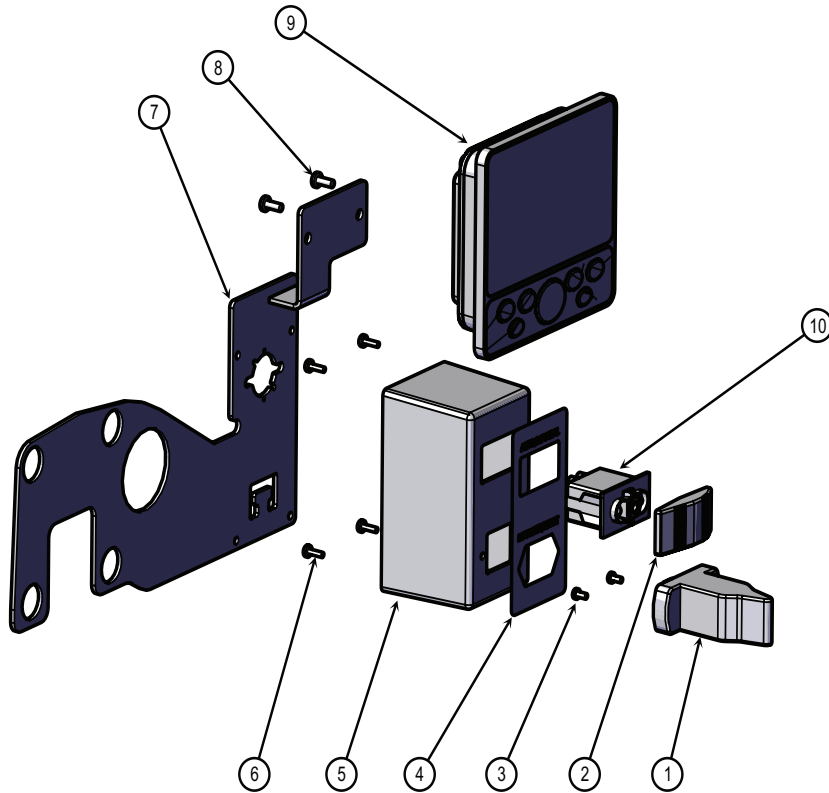
Model JS7020 Hillco Leveling System
 For Serial Numbers JS7020-23001 thru JS7020-23999

600 Series Monitor



| 600 Series Monitor | | | |
|--------------------|-------------|-----|---|
| BOM ID | Part No. | Qty | Description |
| 1 | 1358373 | 1 | PROGRAM, LEVELER DISPLAY |
| 2 | 155784 | 1 | JOYSTICK, SINGLE AXIS |
| 3 | 155785 | 1 | SWITCH, SPST MOMENTARY |
| 4 | 171.003.006 | 2 | SCREW,PHM,CH M3 |
| 5 | 1346991 | 1 | BOX, SWITCH MOUNT |
| 6 | 155796 | 1 | DECAL, SWITCH BOX, LEVELING SYSTEM |
| 7 | 114.#06.006 | 4 | 6-32X3/8 |
| 8 | 1347561 | 1 | MONITOR MOUNT, S |
| 9 | 123.006 | 4 | M6 X 1.0 |
| 10 | 171.006.016 | 4 | M6x1.0x16 |
| 11 | 153851 | 2 | RAM 2-7/16" X 1-5/16" BASE W/ 1" BALL |
| 12 | 153871 | 1 | RAM, DBL SOCKET ARM FOR 1" BALL, 2" SOCKET TO SOCKET LENGTH |
| 13 | 1347582 | 1 | DISPLAY MOUNT |
| 14 | 171.004.010 | 2 | M4X10 |
| 15 | EC-149581 | 1 | CONTURA BLACK ACTUATOR WAYTEK 44361 |

700 Series Monitor



| 700 Series Monitor | | | |
|--------------------|-------------|-----|-------------------------------------|
| BOM ID | Part No. | Qty | Description |
| 1 | 155784 | 1 | JOYSTICK, SINGLE AXIS |
| 2 | EC-149581 | 1 | CONTURA BLACK ACTUATOR WAYTEK 44361 |
| 3 | 171.003.006 | 2 | SCREW,PHM,CH M3 |
| 4 | 155796 | 1 | DECAL, SWITCH BOX, LEVELING SYSTEM |
| 5 | 1346991 | 1 | BOX, SWITCH MOUNT |
| 6 | 114.#06.006 | 4 | 6-32X3/8 |
| 7 | 1347232 | 1 | MOUNT, 700 SERIES LEVELER CONTROLS |
| 8 | 171.004.010 | 2 | M4X10 |
| 9 | 1358373 | 1 | PROGRAM, LEVELER DISPLAY |
| 10 | 155785 | 1 | SWITCH, SPST MOMENTARY |

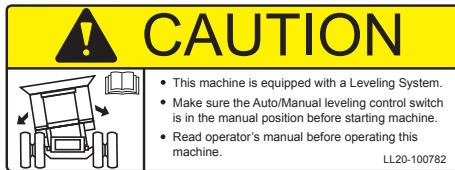
Model JS7020 Hillco Leveling System
 For Serial Numbers JS7020-23001 thru JS7020-23999
Decals and Literature



1) LL-133741



2) LL-151041



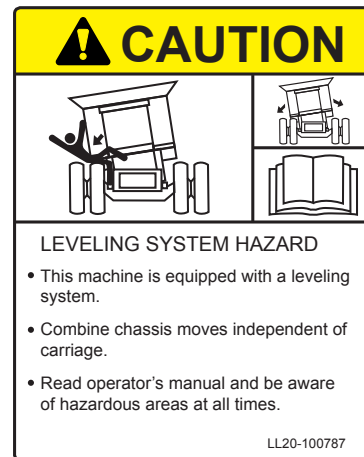
3) LL20-100782



4) LL20-100784



5) LL20-100783



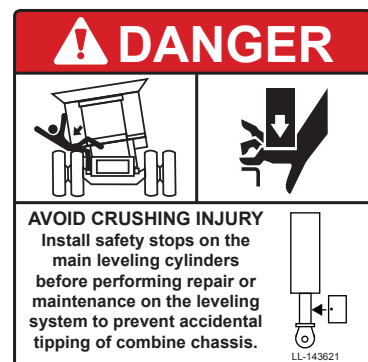
6) LL20-100787



7) LL20-100786



8) LL20-100788



9) LL-143621

Model JS7020 Hillco Leveling System
For Serial Numbers JS7020-23001 thru JS7020-23999

| DECALS AND LITERATURE | | | | |
|-----------------------|----------------|------|------------------------------------|---|
| REF. | PART NO. | QTY. | PART NAME | DESCRIPTION |
| 1 | LL-133741 | 1 | LABEL, GREASE 50 HRS | OC BULKHEAD |
| 1 | LL-133741 | 2 | LABEL, GREASE 50 HRS | RIGHT & LEFT MAIN LEV CYL BOTTOM |
| 1 | LL-133741 | 1 | LABEL, GREASE 50 HRS | MASTER CYLINDER ROD |
| 2 | LL-151041 | 2 | DECAL, HILLSIDE LEVELING SYSTEM | SIDE OF COMBINE |
| 3 | LL-153691 | 2 | DECAL, 20 YEAR ANIVERSARY | SIDE OF COMBINE |
| 4 | LL20-100782 | 1 | CAUTION LEVELING SYSTEM CAB | WINDOW IN CAB |
| 5 | LL20-100783 | 2 | DANGER, CRUSHING HAZARD | RIGHT & LEFT UNDERCARRIAGE |
| 5 | LL20-100783 | 2 | DANGER, CRUSHING HAZARD | SIDES OF DROP AXLE ASSEMBLY |
| 6 | LL20-100784 | 2 | DECAL, DANGER PINCH POINT | RIGHT & LEFT UPPER TRANS FACE PLT |
| 7 | LL20-100786 | 1 | WARNING ELECTRICAL CRUSHING HAZARD | FRONT OF ELECTRICAL CONTROL BOX |
| 8 | LL20-100787 | 1 | CAUTION - LEVELING SYSTEM HAZARD | ON LADDER PLATFORM |
| 9 | LL20-100788 | 1 | DANGER - HYDRAULIC HAZARD | ON SIDE OF COMBINE ABOVE THE HYDRAULIC MANIFOLD |
| 9 | LL20-100788 | 2 | DANGER - HYDRAULIC HAZARD | FOR EACH LEVELING CYLINDER |
| 10 | LL-143621 | 2 | DANGER, AVOID CRUSHING INJURY | IN AREA NEAR SAFETY STOP STORAGE LOCATION |
| NS | LL-147651 | 1 | LABEL, FEMA MEMBER TAG | NEAR SERIAL NUMBER TAG |
| NS | LA-255961 | 1 | TAG, SERIAL NUMBER | |
| NS | LL-289641 | 1 | CM LABEL, MECHANICAL CYLINDER STOP | |
| NS | D-120620CMA01A | 1 | MANUAL, PARTS | |
| NS | D-111124CMA01B | 1 | MANUAL, OPERATORS | |
| NS | D-050611SLR01 | 1 | WARRANTY REGISTRATION CARD | |
| NS | LL-239412 | 1 | LABEL, STEERING WHEEL | TIED TO STEERING WHEEL DURING INSTALLATION |
| NS | D-120412CMA01 | 3 | DEALER PDI & INSTALL CHECKLIST | |

Model JS7020 Hillco Leveling System
For Serial Numbers JS7020-23001 thru JS7020-23999

Notes

Model JS7020 Hillco Leveling System
For Serial Numbers JS7020-23001 thru JS7020-23999

Hillco Technologies, Inc.
107 1st Avenue
Nezperce, Idaho 83543

| | |
|-------|--------------|
| Phone | 800-937-2461 |
| | 208-937-2461 |
| Fax | 208-937-2280 |

www.hillcotechnologies.com
email: support@hillcotechnologies.com