

Model JS7020 Hillco Leveling System
For Serial Numbers JS7020-20001 thru JS7020-20999



Model JS7020 Sidehill Leveling System Parts Manual

SN JS7020-20001 thru JS7020-20999

For John Deere S650, S660, S670, S760, & S770
Series Combines



Table of Contents

General Information	3
Serial Number Location	3
Text and Illustrations	3
Abbreviations	3
Right and left Identification	3
Part Orders	3
Transition	4
Tilt Sensor	5
Feeder Drum Arms and Chain Extensions	6
Transition Throat	8
Transition Throat - Hydraulic Fore/Aft	10
Transition Header Adapter	12
Transition Header Adapter - Hydraulic Fore/Aft	14
Carriage	16
Overcarriage	17
Undercarriage	19
Carriage Misc. Parts	21
Carriage Position Sensor	23
Drop Axle	25
Hydraulic Components	26
Leveling Manifold	27
Header Trim Manifold	29
Gear Pump	31
Hydraulic Hoses	32
Retractable Ladder	33
Double Step Retractable Ladder	33
Ladder Wedge & Service Ladder Extension	36
Electrical	37
Controller	37
Wiring Harness	38
Monitor	39
Decals and Literature	40

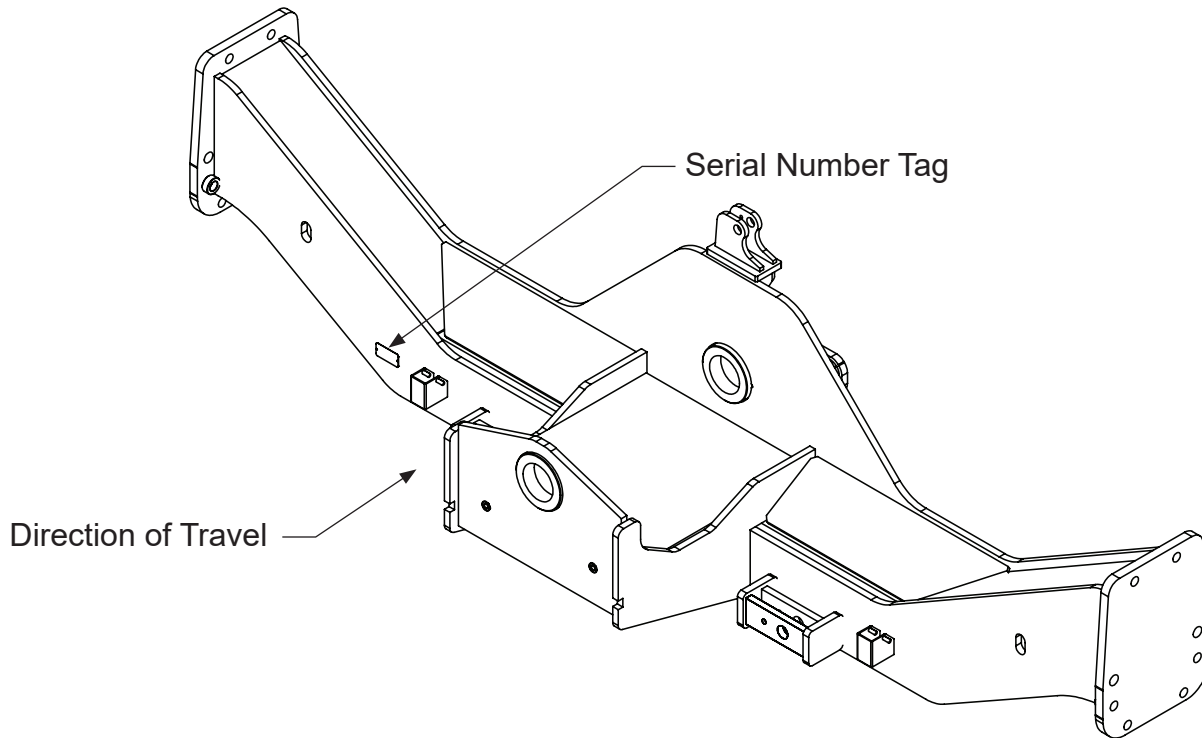
Contact Information

Hillco Technologies, Inc.
 107 1st Avenue
 Nezperce, Idaho 83543

Phone	800-937-2461
	208-937-2461
Fax	208-937-2280

GENERAL INFORMATION

SERIAL NUMBER LOCATION



TEXT AND ILLUSTRATIONS

The arrangement of this parts catalog is for easy identification of parts. All parts are illustrated in exploded views in proper relation to each other. Some diagrams refer to other pages for further information. Reference numbers used in the illustrations refer to line numbers in the part lists. The part lists appear to the right or below all diagrams and correspond with those diagrams. Included in the part lists, along with the reference numbers are part numbers, part descriptions and the quantity of the part required per leveling system.

ABBREVIATIONS

SN "Serial Number" refers to the serial number given to each leveling system (by Hillco Technologies), as well as the serial number given to the combine (by the specific combine manufacturer) the leveling system is installed. See above for the leveling system's serial number location. This abbreviation is used interchangeably in both instances. Each Model JS7020 Leveling System uses the following serial number format: JS7020-XXXXX (sequential numbers).

ASM "Assembly" refers to a whole grouping of parts (shown in the diagram corresponding with the page where "ASM" is shown unless otherwise noted). Some assemblies have parts that are sold separately, however some must be purchased as a single unit. Hillco Product Specialists will be able to assist you with any questions.

NS "Not Shown" refers to a part that is not depicted in the illustration.

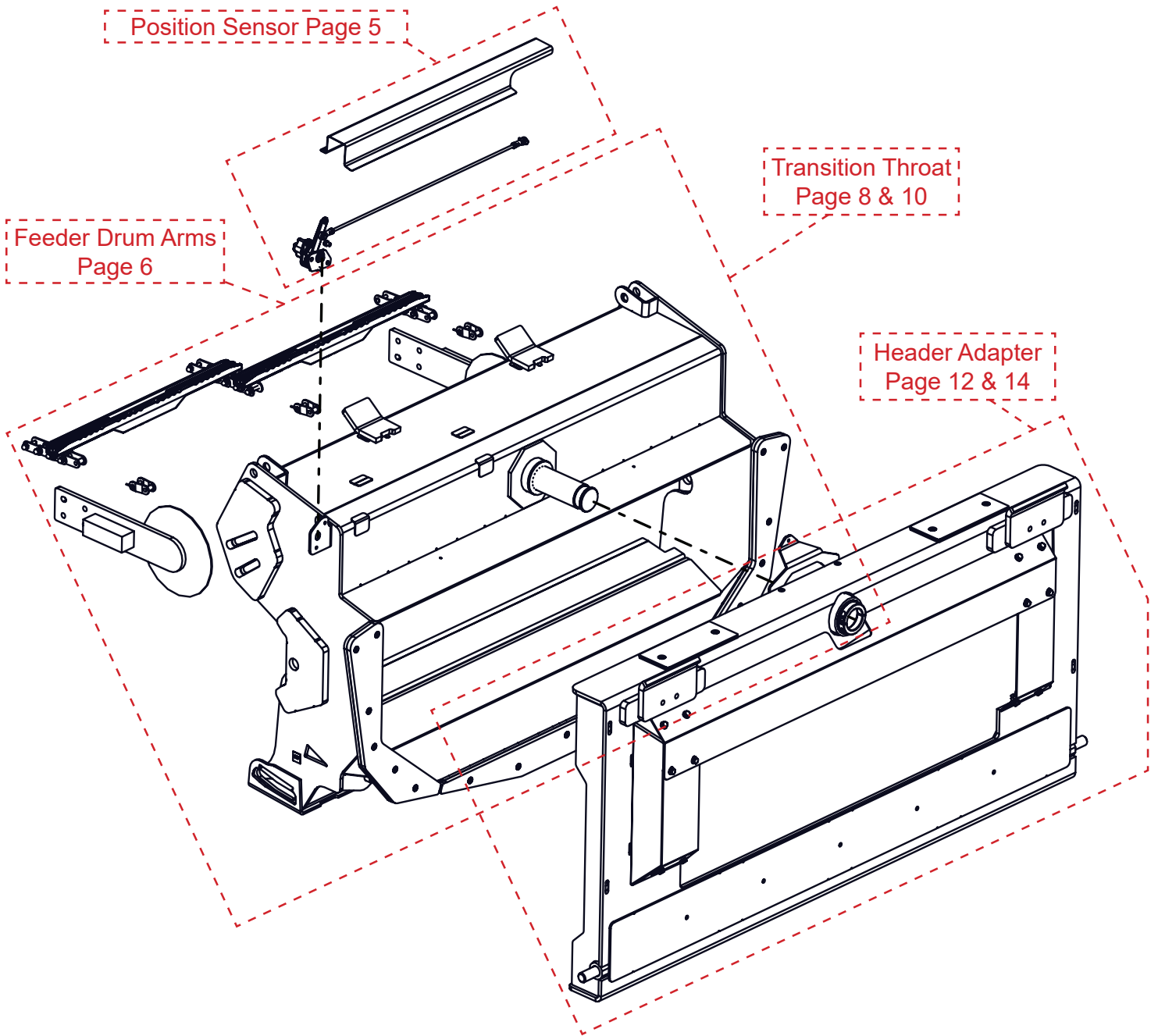
RIGHT AND LEFT IDENTIFICATION

The reference to right-hand and left-hand in this catalog is identified by the operator sitting in the operator's seat, looking toward the front of the machine (in normal forward travel).

PART ORDERS

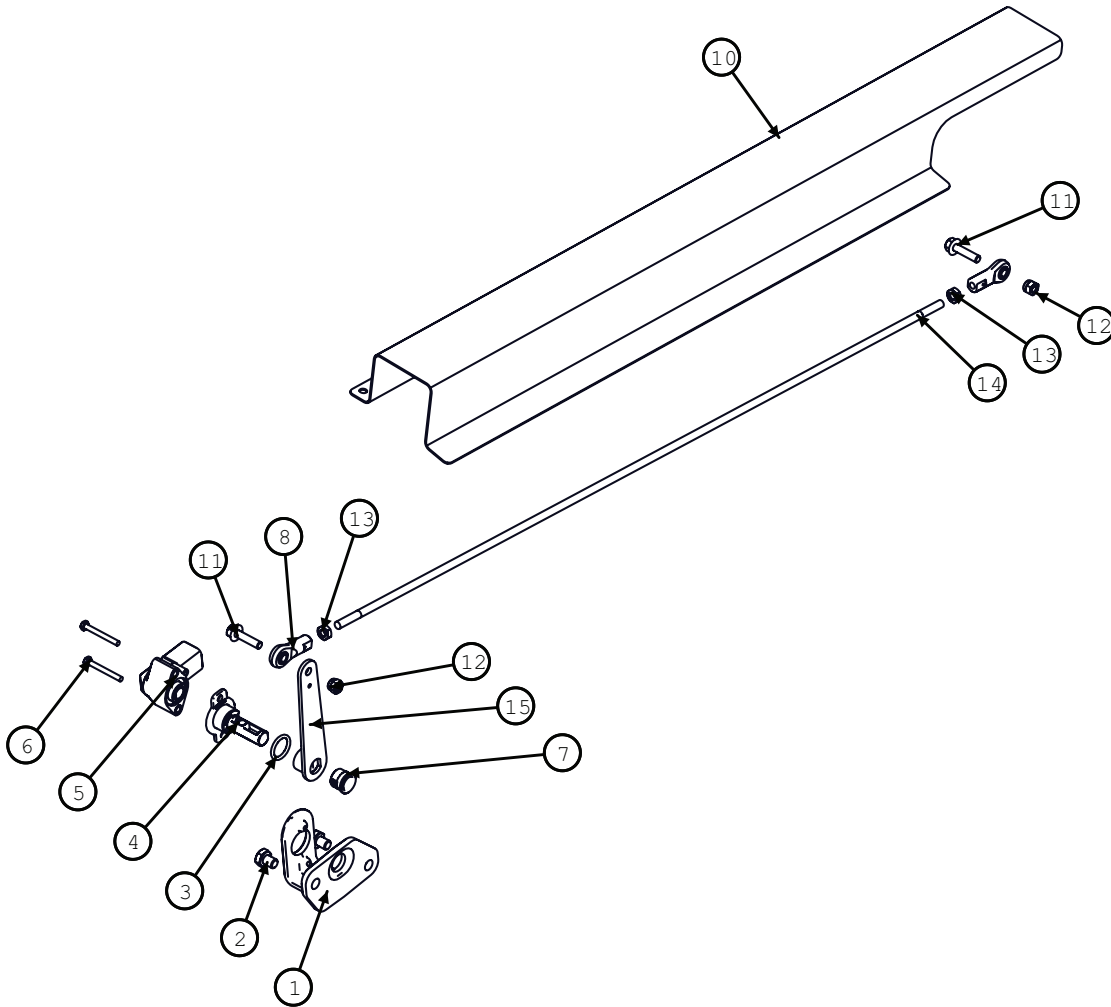
Orders must specify product model, serial number, correct part number, complete description, quantity required, method of shipment, shipping address, and billing address.

TRANSITION



Model JS7020 Hillco Leveling System
 For Serial Numbers JS7020-20001 thru JS7020-20999

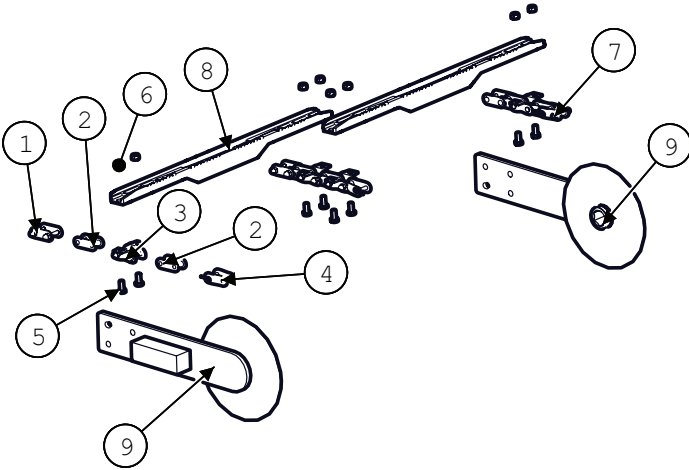
TRANSITION TILT SENSOR



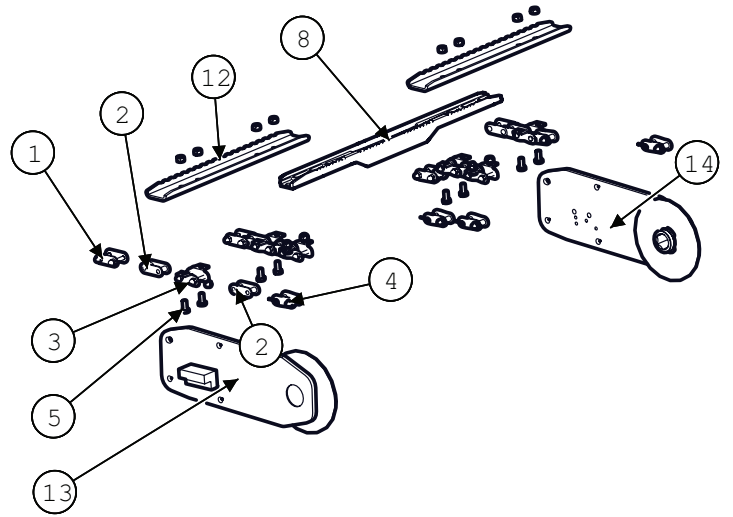
TRANSITION POSITION SENSOR			
BOM ID	Part No.	Qty	Description
1	151321	1	BRACKET, SENSOR
2	122.008.020	2	BOLT,HX,CL8.8 M8X20
3	151391	1	O-RING, 11/16 ID
4	151401	1	SENSOR SHAFT,
5	151381	1	SENSOR, ROTATION,
6	170.004.035	2	BOLT, HX,CL8.8
7	151361	1	BUSHING,
8	151881	2	ROD END, BALL JOINT,
9	201.006.036	1	PIN,ROLL M6X36
10	1295541	1	SENSOR LINKAGE
11	122.006.025	2	BOLT,HX,FL,CL10.9 M6X25
12	191.006	2	NUT,HX,NYL,CL8 M6
13	184.004	2	NUT,HX,JAM,GR5 1/4-28
14	1295502	1	SENSOR ROD
15	151371	1	ARM, TILT SENSOR

Feeder Drum Arms and Chain Extensions

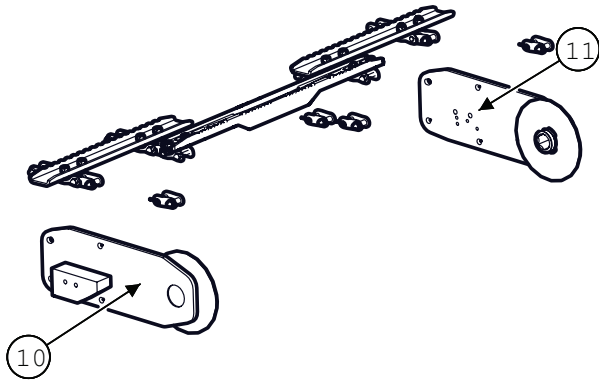
10" Drum, 3 Strand



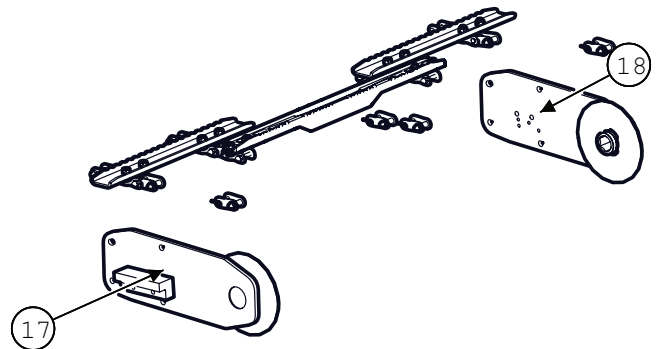
8" Drum, Full Travel, Hydraulic Fore/Aft



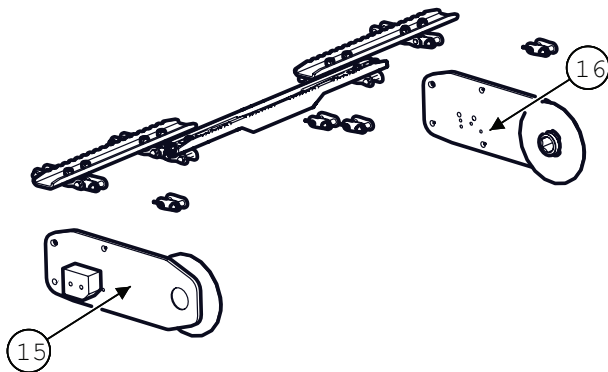
8" Drum, Limited Travel



8" Drum, Full Travel



8" Drum, Limited Travel, Hydraulic Fore/Aft

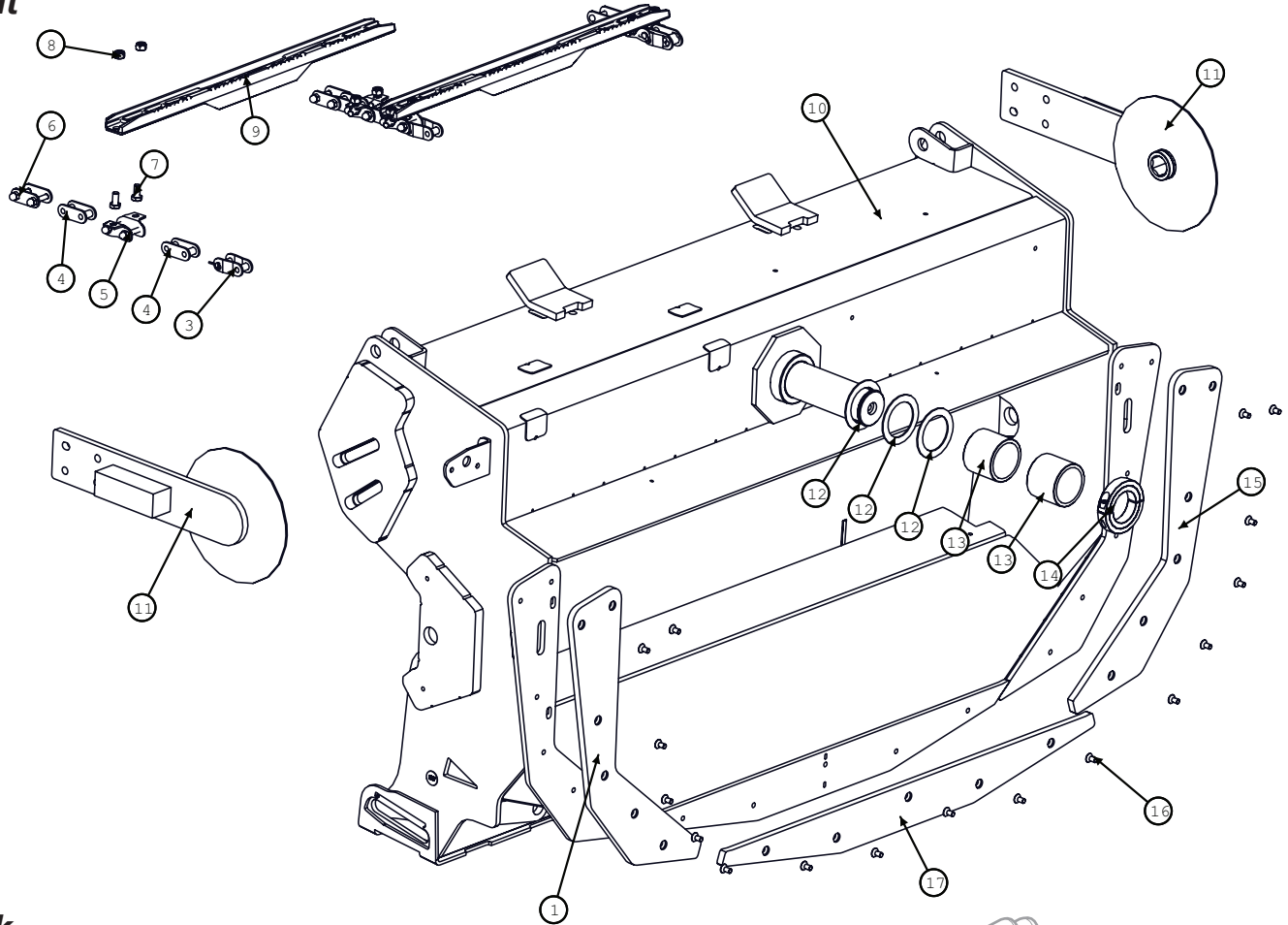


Model JS7020 Hillco Leveling System
For Serial Numbers JS7020-20001 thru JS7020-20999

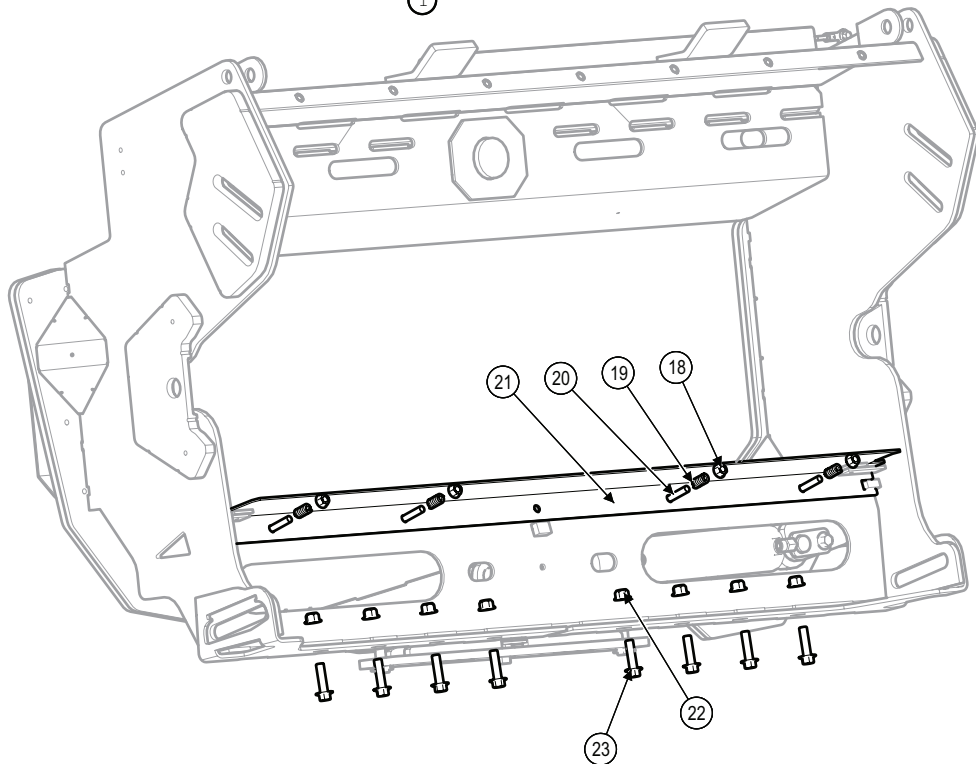
Feeder Drum Arms & Feeder Chain			
10" DRUM, 3-STRAND,			
BOM ID	Part No.	Qty	Description
140261	1	3	COUPLER, CA557 CHAIN LINK
146391	2	6	LINK, FEMALE, CA557
146381	3	4	CHAIN LINK WITH K6 SIDEBAR
146641	4	3	LINK, OFFSET COUPLER CA557
120.010.020	5	10	BOLT,HX,CL10.9 M10
126.01	6	10	NUT,HX,STV,CL10 M10
146211	7	3	NUT 8MM X 1.25 ACORN
146402	8	2	SLAT, CAST
1269141	9	2	10" FEEDR DRUM ARM
8" DRUM, LIMITED TRAVEL			
140261	1	4	COUPLER, CA557 CHAIN LINK
146391	2	8	LINK, FEMALE, CA557
146381	3	6	CHAIN LINK WITH K6 SIDEBAR
146641	4	4	LINK, OFFSET COUPLER CA557
120.010.020	5	12	BOLT,HX,CL10.9 M10
126.01	6	12	NUT,HX,STV,CL10 M10
146211	7	6	NUT 8MM X 1.25 ACORN
146402	8	3	SLAT, CAST
1324681	10	1	8" DRUM ARM, LIMITED TRAVEL
1324671	11	1	8" DRUM ARM, LIMITED TRAVEL
155308	12	2	SHORT CONVEYOR
8" DRUM, FULL TRAVEL, HYDRAULIC FORE/AFT			
140261	1	4	COUPLER, CA557 CHAIN LINK
146391	2	8	LINK, FEMALE, CA557
146381	3	6	CHAIN LINK WITH K6 SIDEBAR
146641	4	4	LINK, OFFSET COUPLER CA557
120.010.020	5	12	BOLT,HX,CL10.9 M10
126.01	6	12	NUT,HX,STV,CL10 M10
146211	7	6	NUT 8MM X 1.25 ACORN
146402	8	3	SLAT, CAST
155308	12	2	SHORT CONVEYOR
1319641	13	1	8" DRUM ARM, FULL TRAVEL, HYDRAULIC FORE/AFT
1319631	14	1	8" DRUM ARM, FULL TRAVEL, HYDRAULIC FORE/AFT
8" DRUM, LIMITED TRAVEL, HYDRAULIC FORE/AFT			
140261	1	4	COUPLER, CA557 CHAIN LINK
146391	2	8	LINK, FEMALE, CA557
146381	3	6	CHAIN LINK WITH K6 SIDEBAR
146641	4	4	LINK, OFFSET COUPLER CA557
120.010.020	5	12	BOLT,HX,CL10.9 M10
126.01	6	12	NUT,HX,STV,CL10 M10
146211	7	6	NUT 8MM X 1.25 ACORN
146402	8	3	SLAT, CAST
155308	12	2	SHORT CONVEYOR
1324841	15	1	8" DRUM ARM, LIMITED TRAVEL, HYDRAULIC FORE/AFT
1324831	16	1	8" DRUM ARM, LIMITED TRAVEL, HYDRAULIC FORE/AFT
8" DRUM, FULL TRAVEL			
140261	1	4	COUPLER, CA557 CHAIN LINK
146391	2	8	LINK, FEMALE, CA557
146381	3	6	CHAIN LINK WITH K6 SIDEBAR
146641	4	4	LINK, OFFSET COUPLER CA557
120.010.020	5	12	BOLT,HX,CL10.9 M10
126.01	6	12	NUT,HX,STV,CL10 M10
146211	7	6	NUT 8MM X 1.25 ACORN
146402	8	3	SLAT, CAST
155308	12	2	SHORT CONVEYOR
1324711	17	1	8" DRUM ARM, FULL TRAVEL
1324701	18	1	8" DRUM ARM, FULL TRAVEL

Model JS7020 Hillco Leveling System
For Serial Numbers JS7020-20001 thru JS7020-20999
TRANSITION THROAT - NON HYDRAULIC FORE/AFT

Front



Back



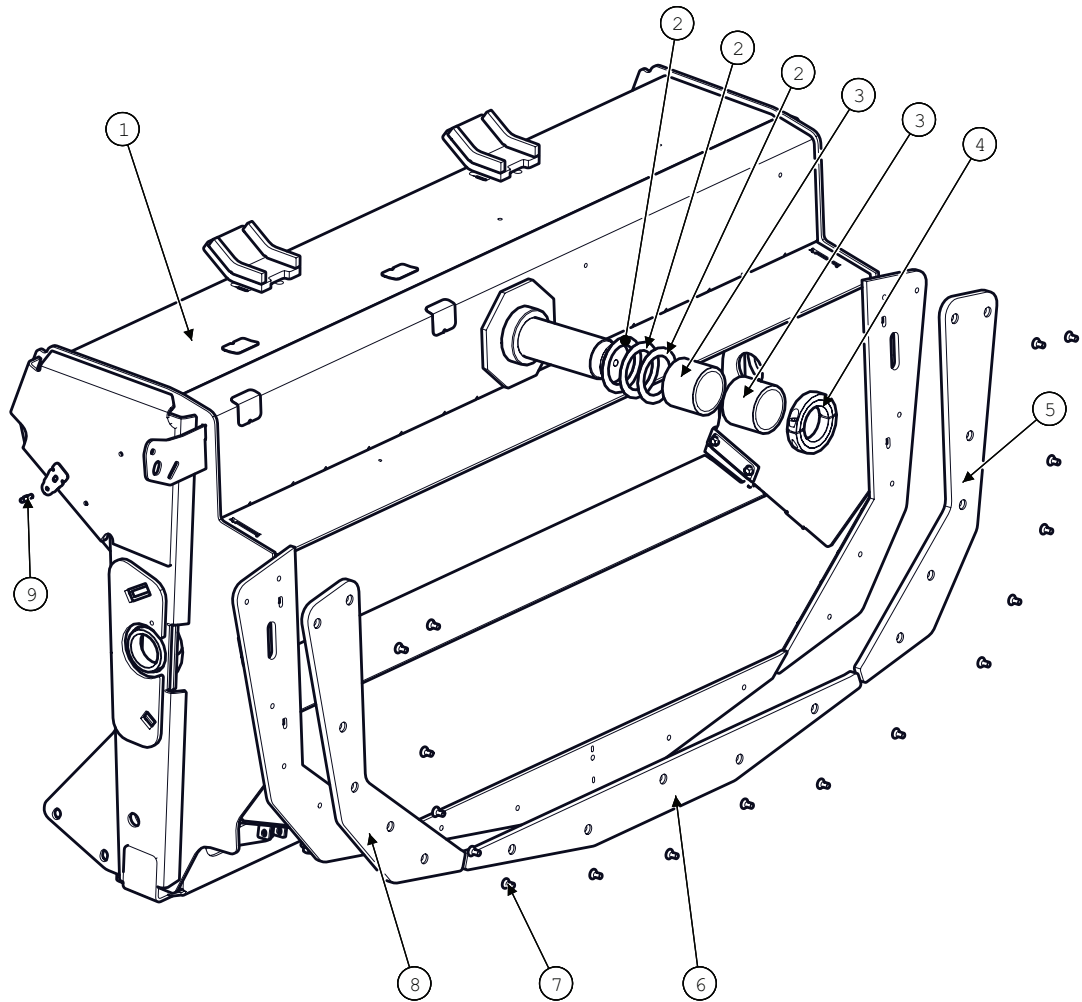
Model JS7020 Hillco Leveling System
For Serial Numbers JS7020-20001 thru JS7020-20999

Transition Throat			
BOM ID	Part No.	Qty	Description
1	1250571	1	RIGHT WEARPAD
3	146641	3	LINK, OFFSET COUPLER CA557
4	146391	6	LINK, FEMALE, CA557
5	146381	4	CHAIN LINK WITH K6 SIDEBAR
6	140261	3	COUPLER, CA557 CHAIN LINK
7	120.01	8	BOLT,HX,CL10.9 M10
8	126.01	8	NUT,HX,STV,CL10 M10
9	146402	2	SLAT, CAST (See previous pages for more slat options)
10	1290461	1	THROAT, SIDEHILL
11	1269141	2	FEEDR DRUM ARM (10" - See previous pages for more drum arm options)
12	162.014.040	3	BUSHING,MACH,NR
13	1241721	2	PIVOT BUSHING
14	150742	1	COLLAR,CLAMPING,2-1/2 ID 3-3/4 OD, 2 PIECE HEAVY
15	1250561	1	LEFT WEARPAD
16	164.008.016	17	SCREW,FHSC,CL10.9 M8X16
17	1250581	1	BOTTOM WEARPAD
18	191.010	4	NUT,HX,NYL,CL10 M10
19	143591	4	SPRING, COMPRESSION
20	163.010.060	4	BOLT,CARR,CL8.8 M10
21	1313751	1	FLEX FLOOR
22	128.012	8	NUT,HX,FL,STV,CL10 M12
23	122.012.045	8	BOLT,HX,FL,CL10.9 M12X45

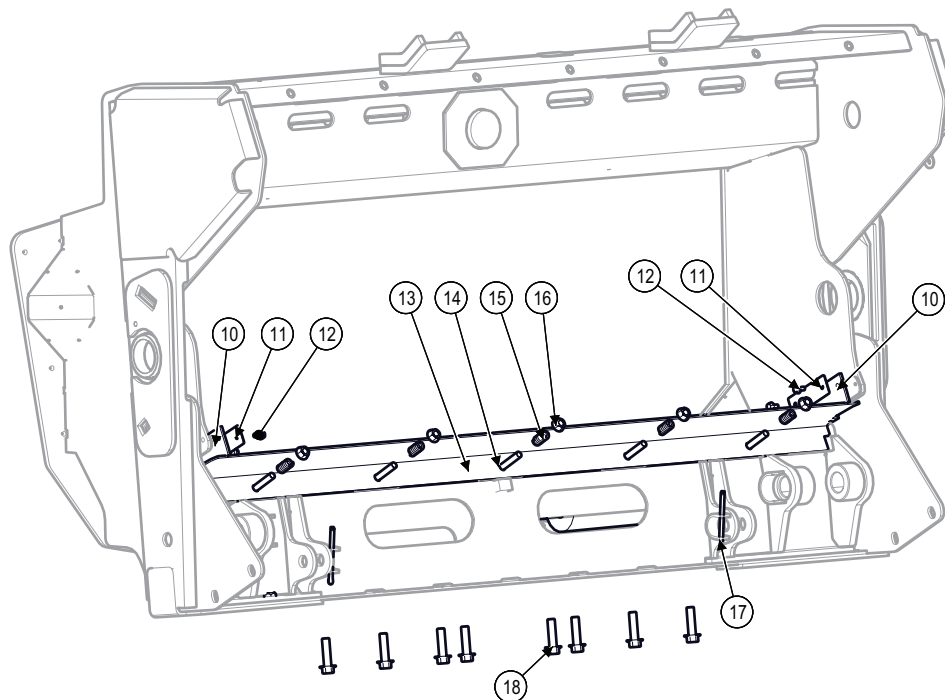
Model JS7020 Hillco Leveling System
For Serial Numbers JS7020-20001 thru JS7020-20999

TRANSITION THROAT - HYDRAULIC FORE/AFT

Front



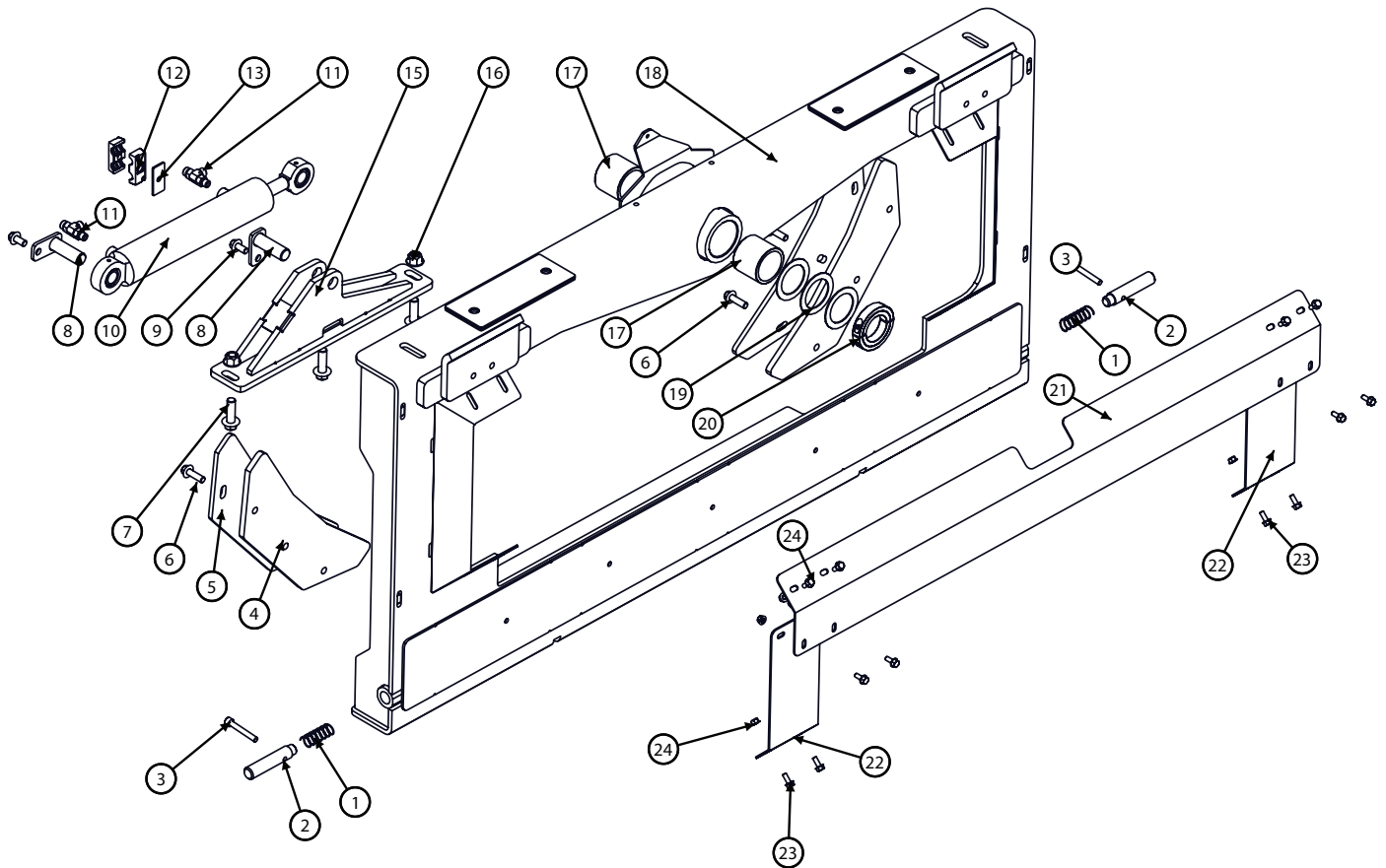
Back



Model JS7020 Hillco Leveling System
For Serial Numbers JS7020-20001 thru JS7020-20999

Transition Throat - Hydraulic Fore/Aft			
BOM ID	Part No.	Qty	Description
1	1318241	1	THROAT, SIDEHILL
2	162.014.040	3	BUSHING,MACH,NR
3	1241721	2	PIVOT BUSHING
4	150742	1	COLLAR,CLAMPING,2-1/2 ID 3-3/4 OD, 2 PIECE HEAVY
5	1250561	1	LEFT WEARPAD
6	1250581	1	BOTTOM WEARPAD
7	164.008.016	17	SCREW,FHSC,CL10.9 M8X16
8	1250571	1	RIGHT WEARPAD
9	151341	1	BALL STUD
10	1323252	2	SEAL
11	1323241	2	STIFFENER, SEAL
12	122.006.012	3	BOLT,HX,FL,CL10.9 M6X12
13	1318882	1	FLEX FLOOR
14	163.010.060	5	BOLT,CARR,CL8.8 M10
15	143591	5	SPRING, COMPRESSION
16	191.010	5	NUT,HX,NYL,CL10 M10
17	142.004.048	2	PIN,COTTER 1/4
18	122.012.045	8	BOLT,HX,FL,CL10.9 M12X45

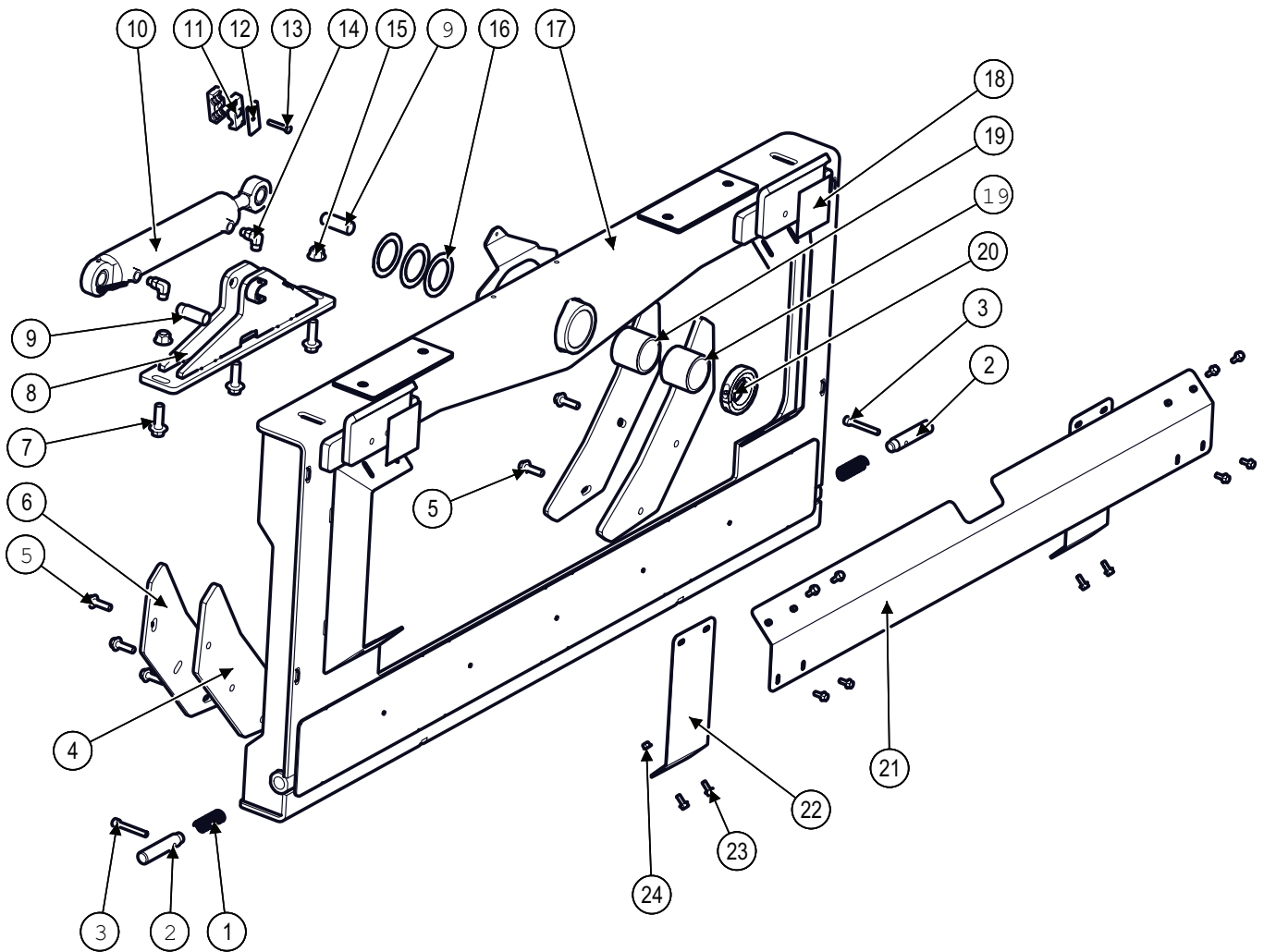
TRANSITION HEADER ADAPTER - NON HYDRAULIC FORE/AFT



Model JS7020 Hillco Leveling System
For Serial Numbers JS7020-20001 thru JS7020-20999

Transition Header Adapter			
BOM ID	Part No.	Qty	Description
1	135531	2	SPRING, COMPRESSION
2	1229193	2	LOCKOUT PIN
3	195.010.070	2	SCREW,SHC,CL10.9 M10X70
4	1250551	2	BACKING WEARPAD
5	1250541	2	BACKING PLATE
6	122.012.040	6	BOLT,HX,FL,CL10.9 M12X40
7	122.016.050	3	BOLT,HX,FL,CL10.9,M16X50
8	1253884	2	CYLINDER PIN
9	122.012.025	2	BOLT,HX,FL,CL10.9 M12X25
10	138582	1	CYLINDER 2-1/2 X 10
11	1007.06	2	STR,THD,RUN-06
12	139431	2	CLAMP, 3/4" TWIN BEHRINGER PAIR
13	139451	1	COVER PLATE,TWIN
15	1250713	1	SLAVE CYL ROD MOUNT
16	128.016	2	NUT,HX,FL,STV,CL10 M16
17	1241721	2	TM, GRAPHITE MICARTA
18	1320921	1	HEADER ADAPTER
19	162.014.040	3	BUSHING,MACH,NR
20	150742	1	COLLAR, CLAMPING
21	1250522	1	TOP SHIELD
22	1250534	2	SIDE SHIELD
23	122.008.020	12	BOLT,HX,FL,CL10.9 M8X20
24	128.008	12	NUT,HX,FL,STV,CL10 M8

TRANSITION HEADER ADAPTER - HYDRAULIC FORE/AFT



Model JS7020 Hillco Leveling System
For Serial Numbers JS7020-20001 thru JS7020-20999

Transition Header Adapter - Hydraulic Fore/Aft			
BOM ID	Part No.	Qty	Description
1	135531	2	SPRING, COMPRESSION
2	1229193	2	LOCKOUT PIN
3	195.010.070	2	SCREW,SHC,CL10.9 M10X70
4	1250551	2	BACKING WEARPAD
5	122.012.040	6	BOLT,HX,FL,CL10.9 M12X40
6	1250541	2	BACKING PLATE
7	122.016.050	3	BOLT,HX,FL,CL10.9,M16X50
8	1320941	1	CYLINDER MOUNT,
9	1320891	2	PIN, 1" X 2-1/2
10	138582	1	CYLINDER 2-1/2 X 10
11	139431	1	CLAMP, 3/4" TWIN BEHRINGER PAIR
12	139451	1	COVER PLATE,TWIN
13	170.008.045	1	BOLT,HX,CL8.8 M8X45
14	1003.06.06	2	-6MORB X -6MORFS
15	128.016	2	NUT,HX,FL,STV,CL10 M16
16	162.014.040	3	BUSHING,MACH,NR
17	1320921	1	HEADER ADAPTER
18	100784	2	LABEL, PINCH POINT
19	1241721	2	TM, GRAPHITE MICARTA
20	150742	1	COLLAR,CLAMPING,2-1/2 ID 3-3/4 OD, 2 PIECE HEAVY
21	1250522	1	TOP SHIELD
22	1250534	2	SIDE SHIELD
23	122.008.020	12	BOLT,HX,FL,CL10.9 M8X20
24	128.008	12	NUT,HX,FL,STV,CL10 M8

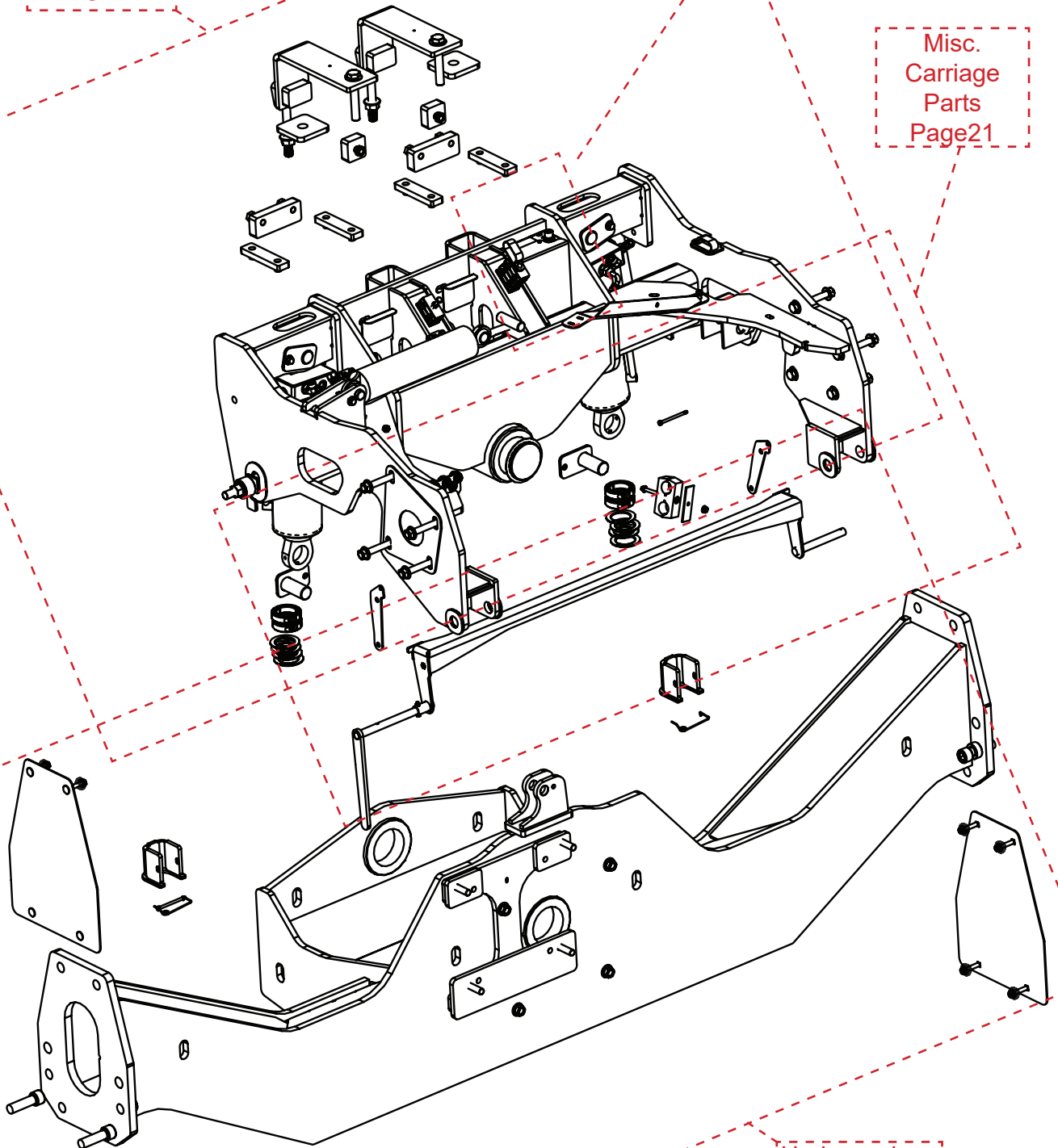
Model JS7020 Hillco Leveling System
For Serial Numbers JS7020-20001 thru JS7020-20999

Carriage

Overcarriage
Page 17

Carriage
Position Sensor
Page 22

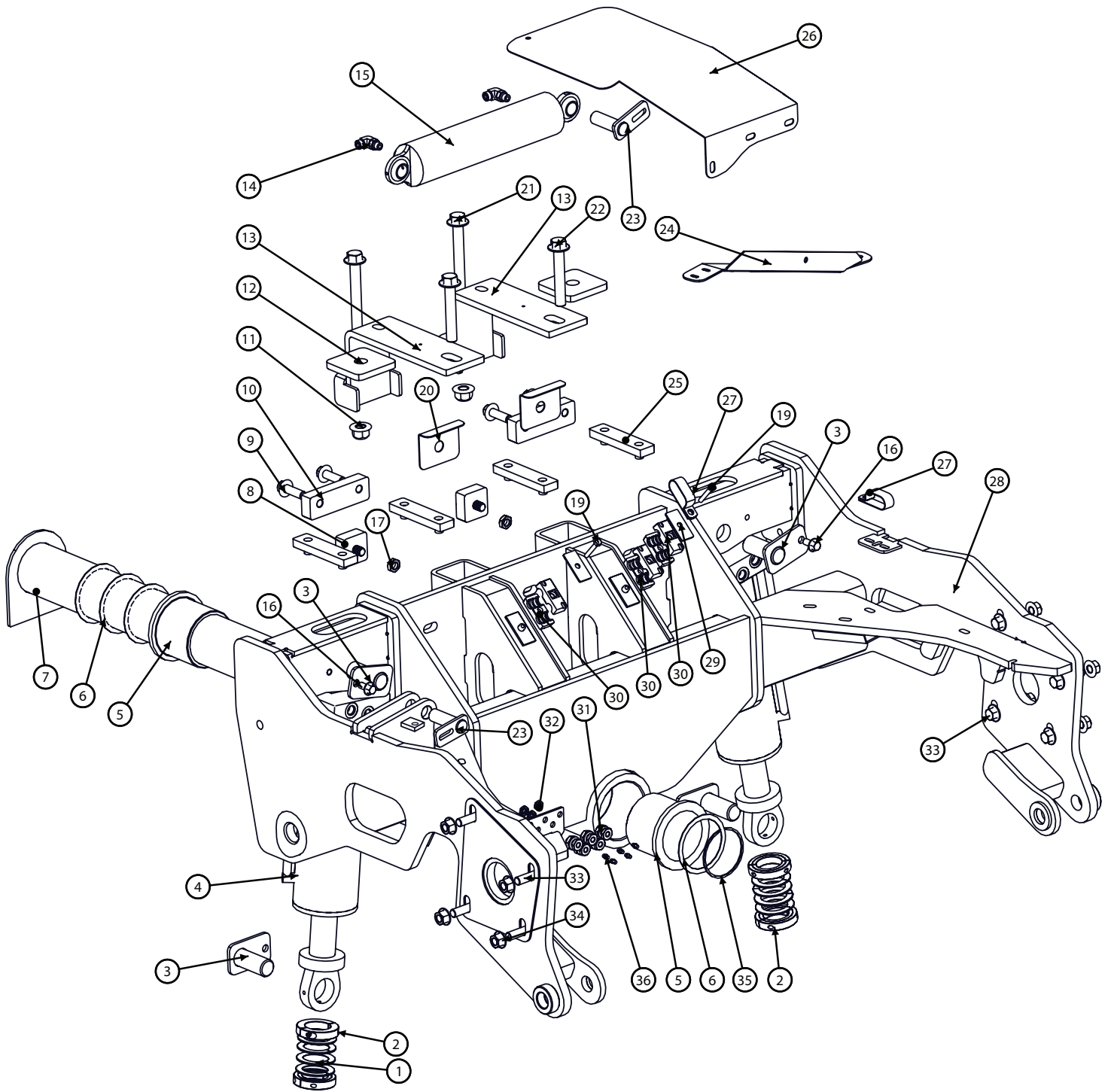
Misc.
Carriage
Parts
Page 21



Undercarriage
Page 19

Model JS7020 Hillco Leveling System
For Serial Numbers JS7020-20001 thru JS7020-20999

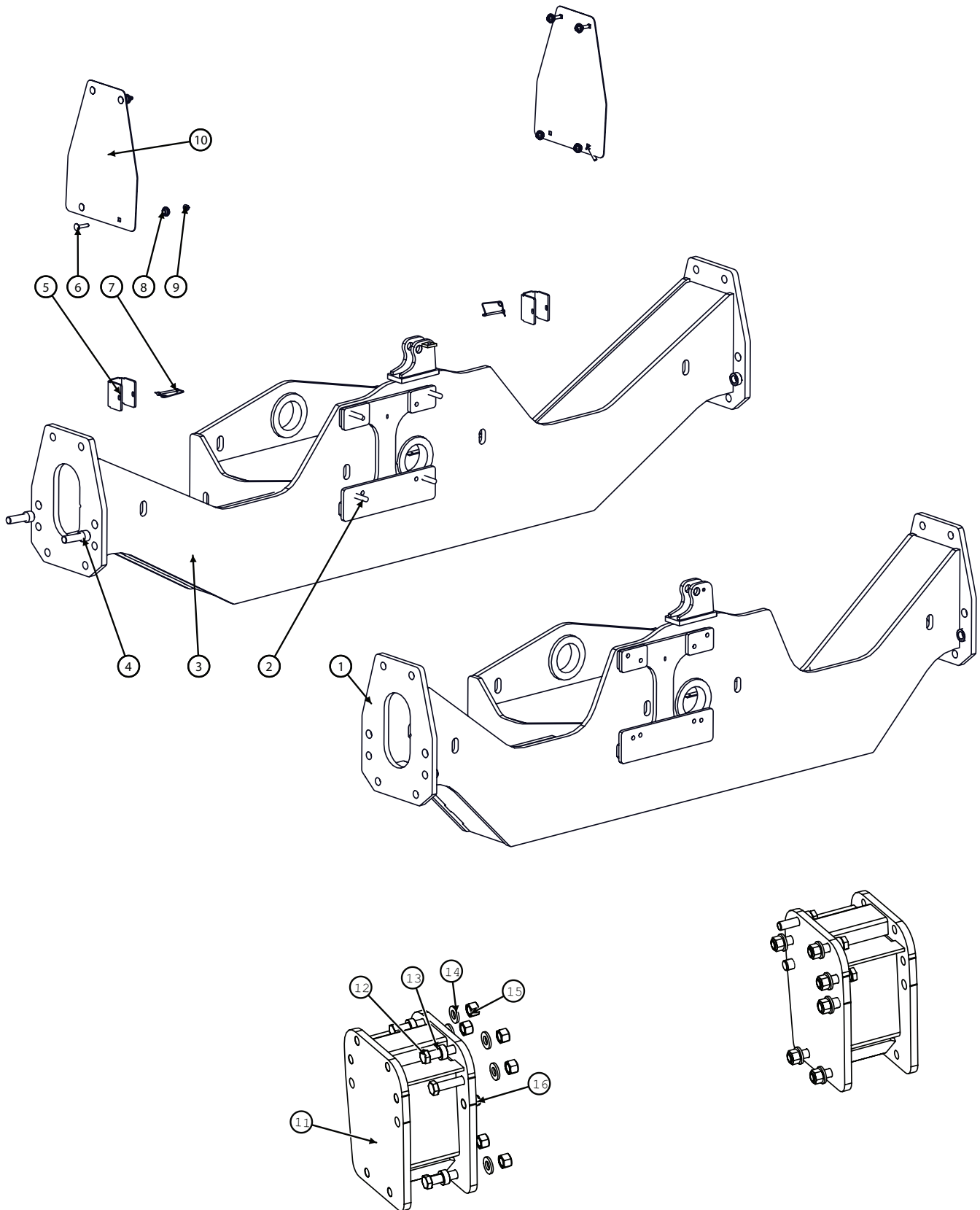
Overcarriage



Model JS7020 Hillco Leveling System
For Serial Numbers JS7020-20001 thru JS7020-20999

Overcarriage			
BOM ID	Part No.	Qty	Description
1	137501	8	WASHER, QUICK REPAIR
2	153241	4	COLLAR, CLAMPING
3	1230552	4	PIN, MAIN CYLINDER
4	155860	2	CYLINDER,LEVELING,DUAL CB
5	1247961	2	PIVOT BUSHING
6	138641	4	4.016ID X 4.7640D X 048
7	1291351	1	PIVOT PIN
8	1296581	2	UPPER CARRIAGE SHIM
9	122.016.035	4	BOLT,HX,FL,CL10.9,M16X35
10	1291731	2	CARRIAGE LOCK (9010)
11	128.020	2	NUT,HX,FL,STV,CL10 M20
12	1297901	2	SPACER, TUBE CLAMP
13	1293631	2	AXLE CLAMP
14	1006.06.06	2	-6FORFS X -6MORFS, 90
15	140342	1	CYLINDER, CROSS PORT
16	122.012.025	2	BOLT,HX,FL,CL10.9 M12X25
17	165.016	2	NUT,HX,JAM,CL8 M16
18	139471	1	STACK BOLT, BEHRINGER
19	101.005.08	2	BOLT,HX,GR5 5/16 -18 X 1 3/4
20	1270042	2	CARRIAGE SHIM
21	122.020.220	2	BOLT,HX,FL,CL10.9 M20
22	122.020.120	2	BOLT,HX,FL,CL10.9 M20
23	1345961	2	CYLINDER PIN, TRIM
24	1274902	1	SUPPORT, HYDRO HOSE
25	1293561	4	LOWER CARRIAGE SHIM
26	1274252	1	TABLE, HYDRO HOSE
27	147781	2	CLAMP 1/4" DOUBLE LOOP 3/8HOLE
28	1291335	1	OVERCARRIAGE
29	139231	2	COVER PLATE,TWIN
30	139481	3	CLAMP, TWIN, BEHRINGER -.620
31	155157	5	BULKHEAD,GREASE,STR,
32	155158	5	BULKHEAD,LOCKNUT
33	122.016.120	8	BOLT, HX, FL, CL10.9, M16X120
34	123.016	8	NUT,HX,FL,CL10 M16
35	138651	1	SNAP RING; 4"
36	138011	5	ZERK,STR, 1/4-28MTAPER

Undercarriage



Model JS7020 Hillco Leveling System
For Serial Numbers JS7020-20001 thru JS7020-20999

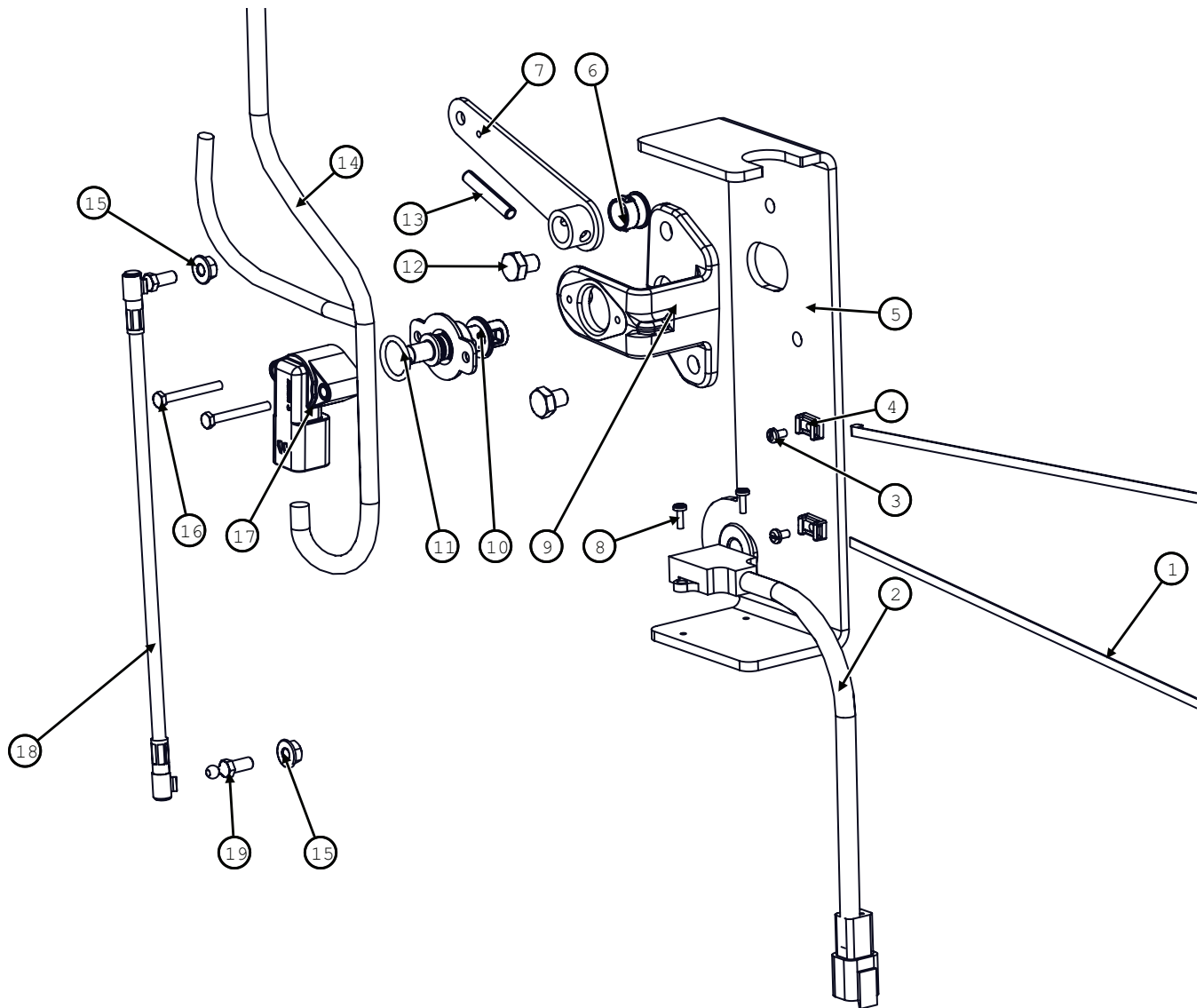
Undercarriage			
BOM ID	Part No.	Qty	Description
1	1292921	1	UNDERCARRIAGE, NARROW, 96.25",
2	155.016.075	4	STUD, DOUBLE-10.9
3	1290812	1	UNDERCARRIAGE, WIDE, 114.75"
4	159.024.080	2	SCREW,SHC,CL12.9 M24
5	1307161	2	CYLINDER STOP
6	163.010.050	7	BOLT,CARR,CL8.8 M10
7	146.004.048	2	PIN,SNAP,LCK
8	151021	8	BUSHING, PLASTIC
9	123.01	8	NUT,HX,FL,CL10 M10
10	1293831	2	CAP, AXLE
11-15	12533141	1	NARROW UNDERCARRIAGE AXLE EXTENSIONS
11	1253132	2	LM WLD, 9.25 AXLE EXTENSION
12	121.024.100	12	M24 X 3 X 110 HEX CAP
13	LM-266382	8	CU TM, SPACER-FINAL DRIVE
14	141121	12	FW M25.4 X 50.0 X 6.0
15	126.024	12	STOVER NUT 24MX3

Model JS7020 Hillco Leveling System
For Serial Numbers JS7020-20001 thru JS7020-20999

Overcarriage Misc.			
BOM ID	Part No.	Qty	Description
1	121.006.035	1	HC-10.9 M6x1.0X35
2	1274252	1	HM PLT, TABLE HYDRO HOSE
3	1151781	1	CLAMP, P-STYLE (JD#AH77884)
4	155171	8	CLAMP, 1.75" BEHRINGER STD
5	122.008.025	1	FLHC-10.9M8X1.25X20
6	135791	1	CLAMP, HOSE 7/8 R/C W 3/8HOLE (JD#AH78237)
7	123.008	1	FLHN-10.9M8X1.25
8	1297312	1	LM WLD, HYDRO HOSE SUPPORT
9	123.006	4	FLHN-10.9 M6
10	140651	2	BEHRINGER STD COVER PLATE
11	1264512	1	LM ASM, LINKAGE, ROCK TRAP
12	143601	2	CLAMP, HOSE 1-1/8" R/C W 3/8
13	170.006.090	15	HC-8.8 M6 X 1.00 X 90
14	1274231	4	HM PLT, HYDRO HOSE SUPPORT
15	1276391	2	HM CLAMP SPACER
16	191.006	1	HN-8.8M6X1.0 NYLOCK
17	1264501	1	LM ASM, HANDLE, ROCK TRAP
18	1290742	2	LM SHT, ROCK TRAP LINKAGE, UPPER
NS	1348562	2	STONE DOOR LINKAGE
19	1276351	1	HOSE, 1-1/2" BELLOWSFLEX HARDWALL 14"
20	1063.24.24	1	UNION, -24MB x -24MB
21	152061	2	CLAMP, HOSE, WORM GEAR, 1.5" TO 2.5"
HIGH MOISTURE KIT ROCK TRAP LINKAGE			
22	1348311	2	FEEDERHOUSE DOOR BRACKET
23	1348341	2	FEEDERHOUSE DOOR STANDOFF

Model JS7020 Hillco Leveling System
For Serial Numbers JS7020-20001 thru JS7020-20999

Carriage Position Sensor

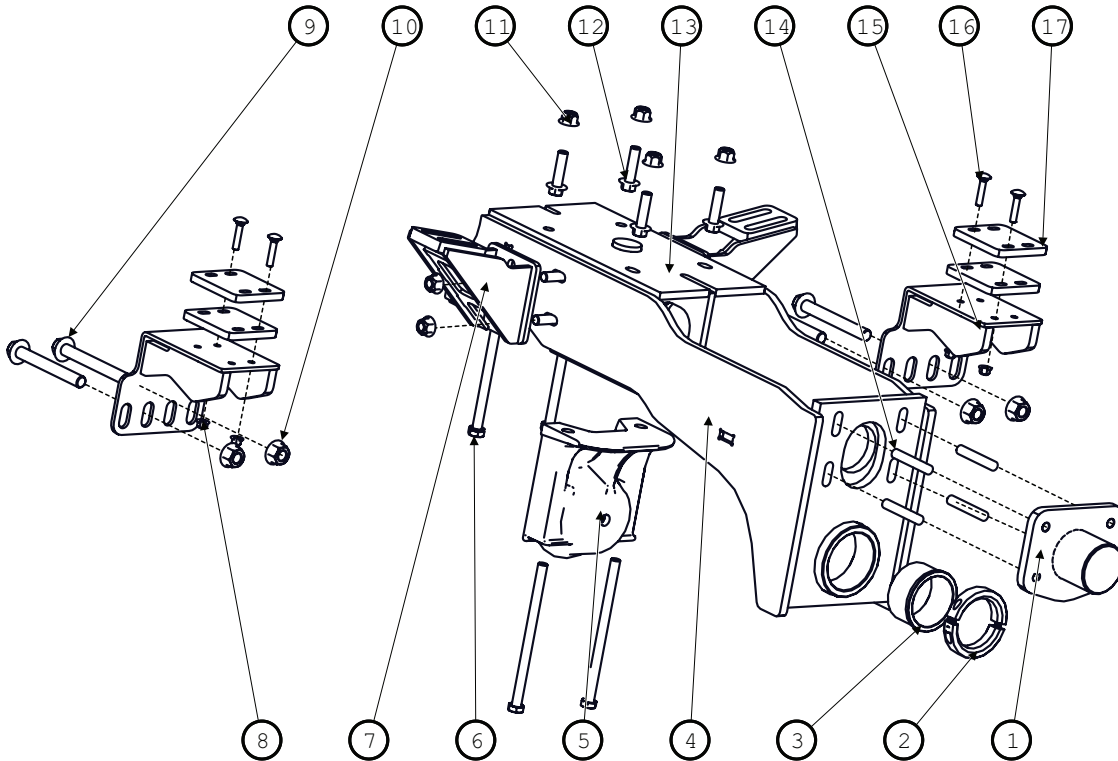


Model JS7020 Hillco Leveling System
For Serial Numbers JS7020-20001 thru JS7020-20999

Carriage Position Sensor			
BOM ID	Hillco Part No.	Qty	Description
1	141341	2	WIRE TIE 3/16"x15"
2	1347142	1	CLINOMETER
3	115.#06	2	SCREW,PHM,SH 6-32X1/4
4	153641	2	CABLE TIE MOUNT,
5	1347272	1	SENSOR MNT
6	151361	1	BUSHING (JD#R41076)
7	151371	1	ARM, ASSY, TILT SENSOR, HM (AXE17303)
8	114.#06	2	PAN HEAD SCREW 6-32X3/8
9	151321	1	BRACKET, SENSOR MNT (HXE16001)
10	151401	1	SHAFT, ROUGH SERVICE DEVICE (AXE14888)
11	151391	1	O-RING, 11/16ID (P48347)
12	178.008.010	2	BOLT M8X10
13	201.006.036	1	PIN, ROLL 6mm x 36mm
14	1347161	1	SENSOR PACKAGE HARNESS
15	123.006	2	M6 X 1.0
16	170.004.035	2	BOLT M4X35
17	151381	1	SENSOR, ROTATION, HALL 2CH +/-120DE (AXE14246)
18	151331	1	LINKAGE, POSITION (AH226146)
19	151341	1	BALL STUD (H168732)

Model JS7020 Hillco Leveling System
For Serial Numbers JS7020-20001 thru JS7020-20999

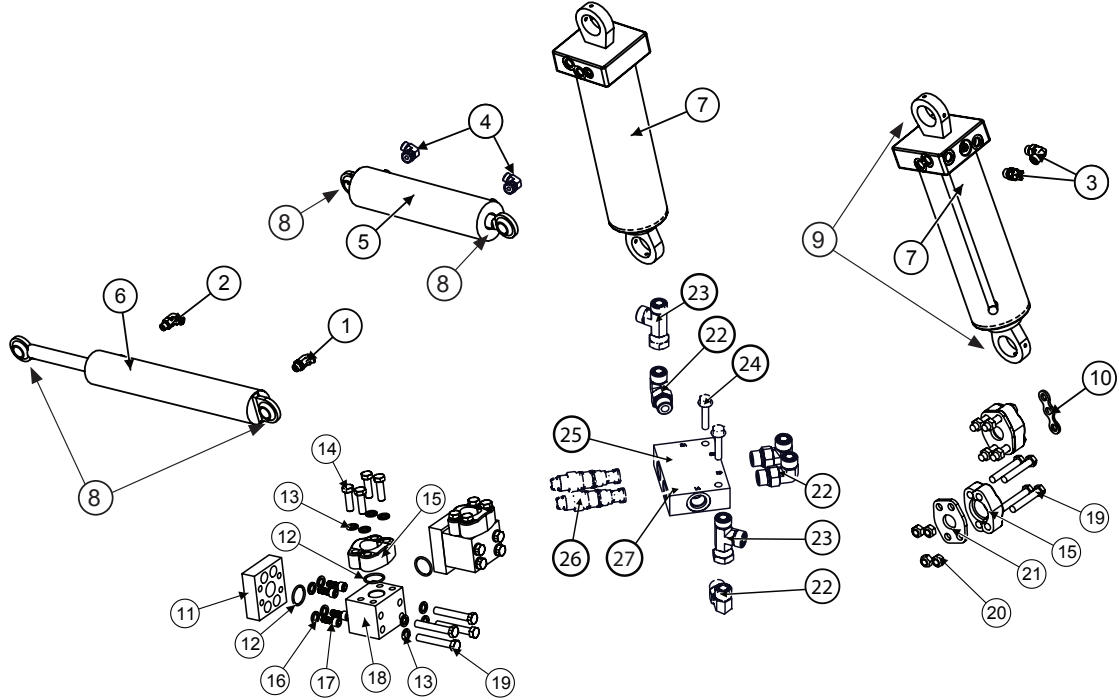
DROP AXLE



Drop Axle			
BOM ID	Part No.	Qty	Description
1	1291071	1	PIVOT PIN
2	145491	1	COLLAR, CLAMPING 3-1/2 X 4-3/4
3	1235092	1	BUSHING, PIVOT
4	1291022	1	DROP AXLE
5	152471	1	STAND-OFF, REAR AXLE
6	121.016.250	4	M16X250
7	1313541	2	WING
8	128.010	4	NUT,HX,FL,STV,CL10 M10
9	122.020.160	4	M20x160
10	123.020	4	NUT,HX,FL,CL10 M20
11	128.016	8	NUT,HX,FL,STV,CL10 M16X2.
12	122.016.060	4	M16X60
13	122.016.050	4	M16X50
14	155.016.090	4	STUD,DBL-END,CL10.9 M16X90
15	1299792	2	ROTATION STOP
16	163.010.050	4	M10x50
17	1299892	4	ROTATION STOP 16°

Model JS7020 Hillco Leveling System
For Serial Numbers JS7020-20001 thru JS7020-20999

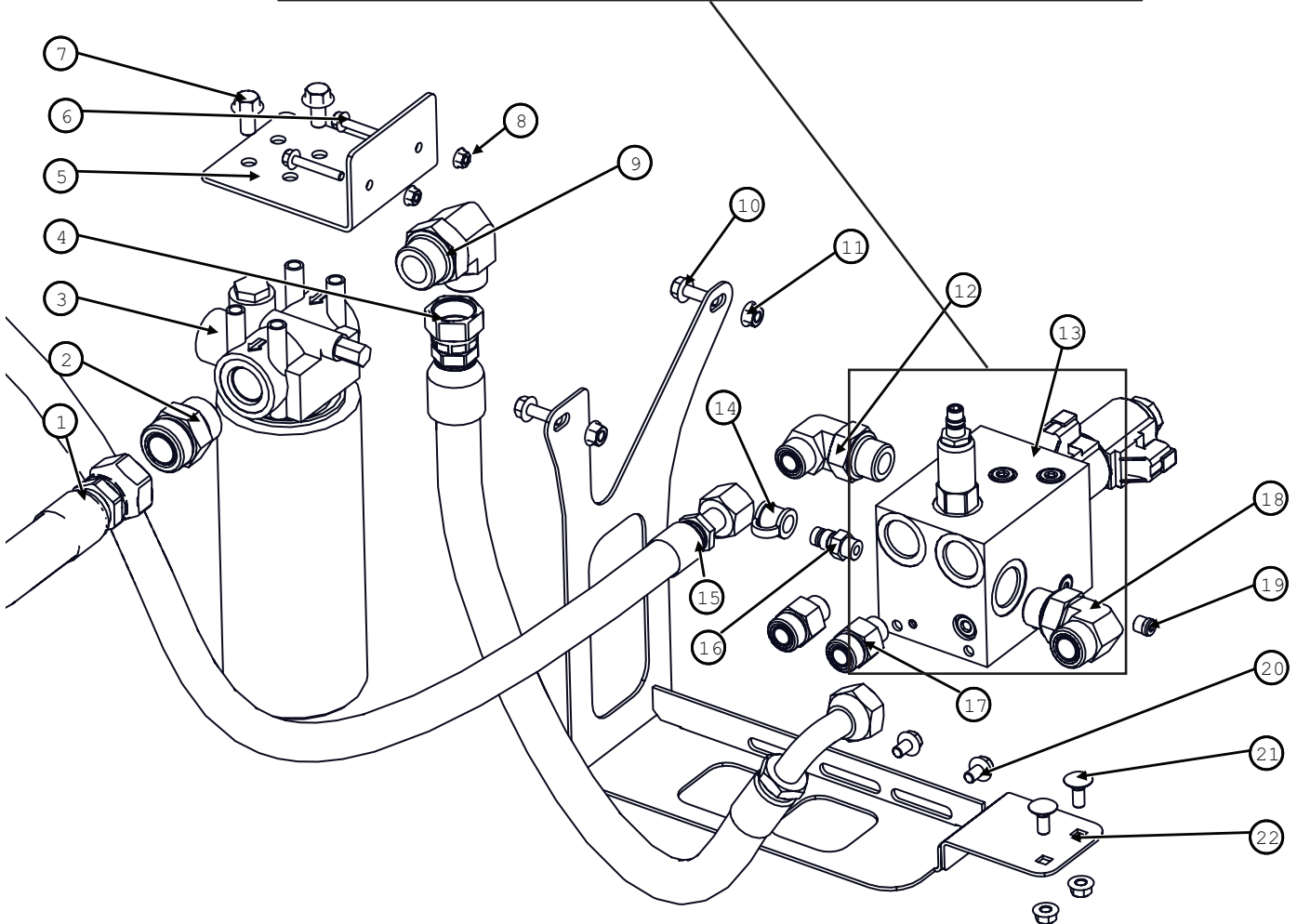
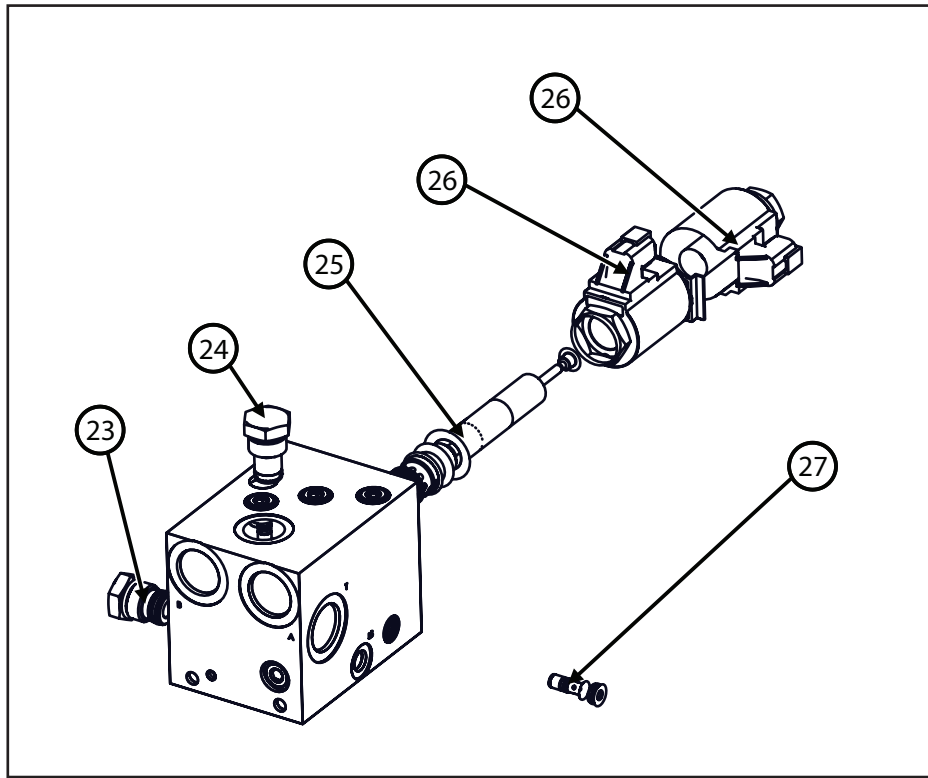
Hydraulic Components



Hydraulic Components			
BOM ID	Part No.	Qty	Description
1	1002.06.06	2	#6 MORS X #6 MORB 45 DEG
2	1003.06.06	2	ELBOW, 90°, 6MF x 6MO
3	1003.08.08	3	ELBOW, 90°, #8MORS#8MORB
4	1006.06.06	5	90, -6FORFS X -6MORFS
5	140342	2	MASTER CYLINDER, 3"B, 8-3/4"S,1-3/8"R, 17-1/4"CPC, CROSS
NS	HC-134201	-	SEAL KIT, MASTER CYLINDER
6	138582	4	CYLINDER,SLAVE,21"CPC - SIDEHILL
NS	HC-141281	-	SEAL KIT, SLAVE CYLINDER
7	155860	2	LEVELING CYLINDER, 4-1/2"B,11"S,2"R, 22-1/2 CPC
NS	155666	-	SEAL KIT, LEVELING CYLINDER
8	MC-140321	4	1" BEARING, SEALED SPHERICAL
9	MC-150881	4	1 3/8" BEARING, SEALED SPHERICAL
10	LP-274391	1	LM PLT, HYDRO HOSE SPACER
11	LM-272092	2	CODE 62 90° 1-1/4 ROTATIONAL ADAPTER
12	147621	8	O-RING, CODE 62, 1-1/4"
13	139.009	16	LW 9/16 HD
14	121.014.045	8	HC-10.9M14 X2.0X45
15	147611	8	FLANGE, 1-1/4" CODE 62, HALF
16	135.009	8	LW 9/16 HD HIGH COLLAR
17	159.014.030	8	SHCS-12.9M14X2.0X30
18	LM-272082	2	HM BLOCK, CODE 62 1-1/4 90°
19	121.014.090	16	HC-10.9 M14X2.0X90
20	126.014	8	HN-10.9M14X2.0 STVR
21	1272161	2	HM PLT, CODE 62 1-1/4 UNION
22	1003.08.08	4	-8MORBx -8MORFS
23	1008.08	2	SWV,NUT,RUN -8ORFS
24	122.008.040	2	M8X40
25	155611	1	BODY, DUAL COUNTERBALANCE
26	139161	2	CARTRIDGE,COUNTERBALANCE,
27	155603	1	2-CARTRIDGE, 4-PORT (includes 155611 & 139161)

Model JS7020 Hillco Leveling System
For Serial Numbers JS7020-20001 thru JS7020-20999

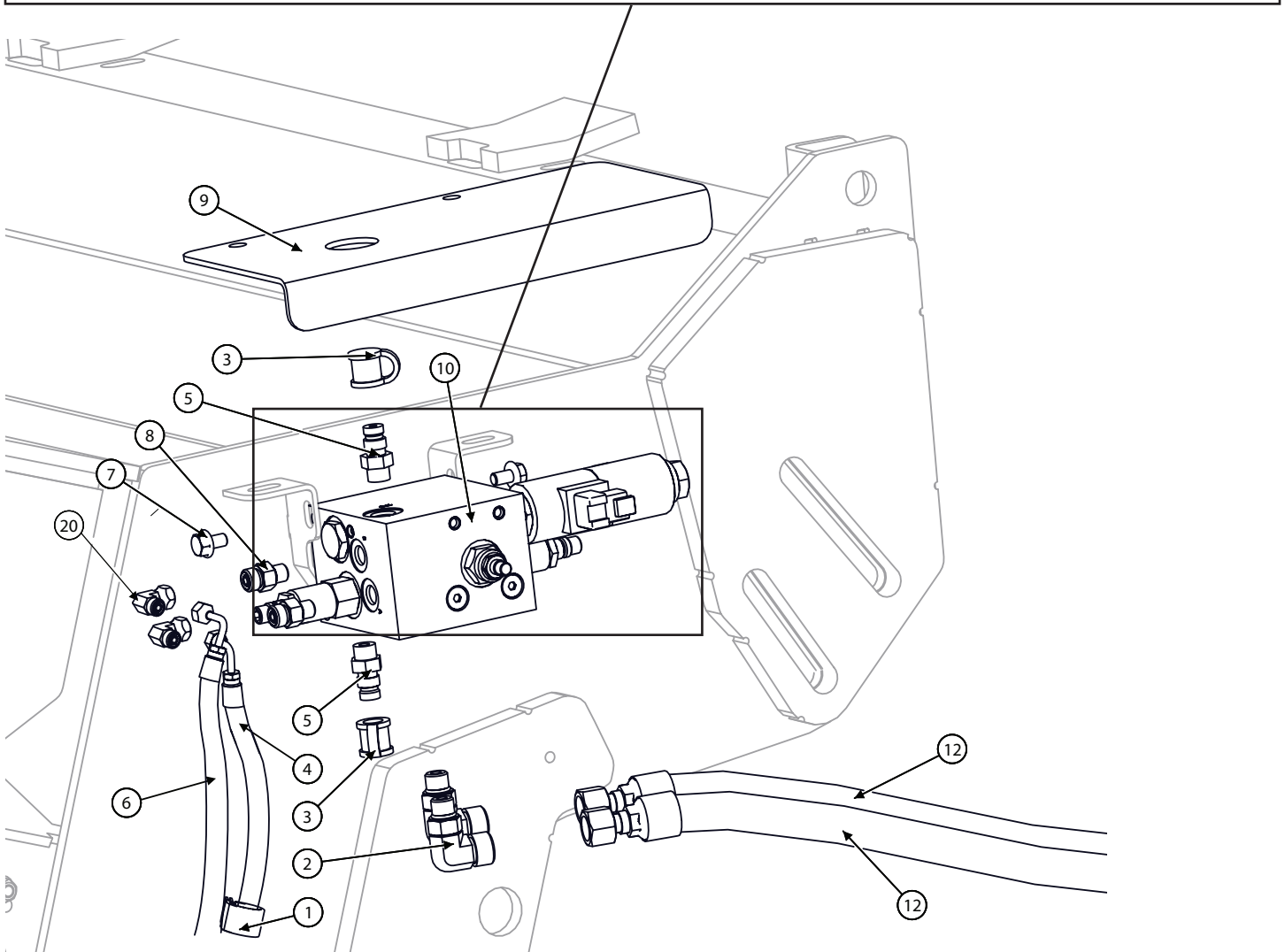
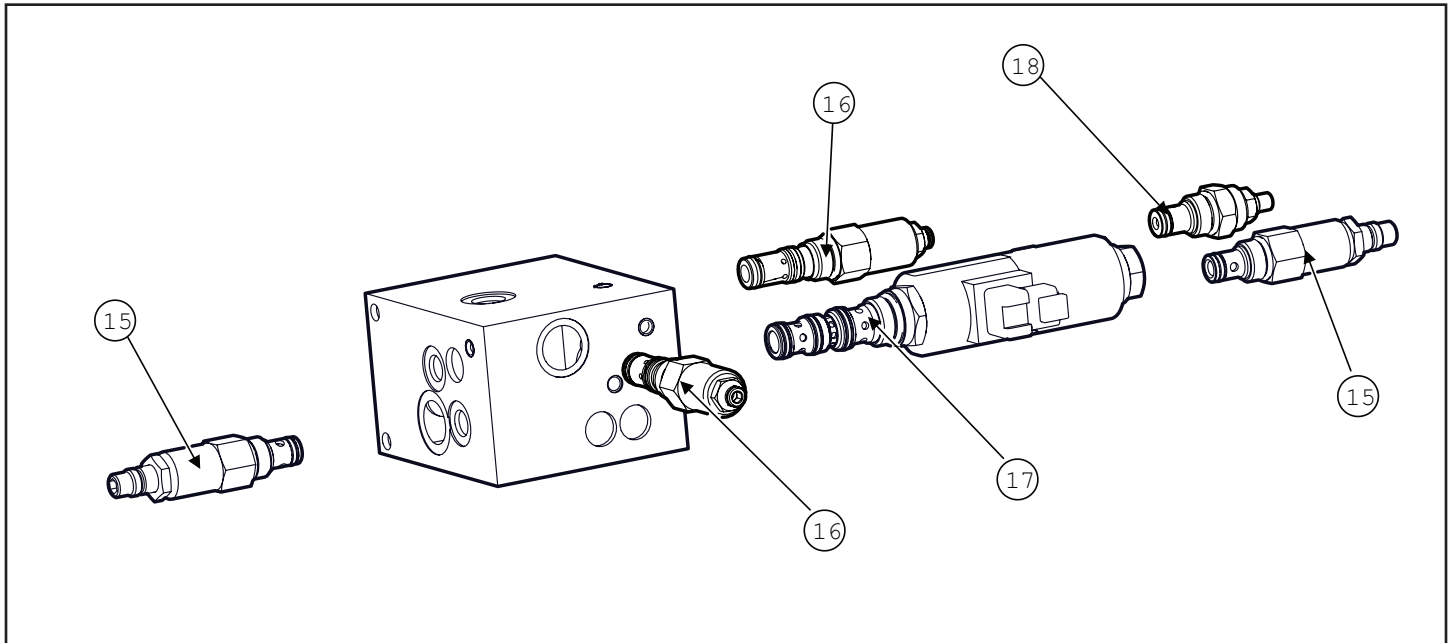
Leveling Manifold



Model JS7020 Hillco Leveling System
For Serial Numbers JS7020-20001 thru JS7020-20999

Leveling Manifold			
BOM ID	Part No.	Qty	Description
1	1295781	1	100R17-12X252"
2	1001.16.16	1	HA,STR
3	143441	1	OIL (AH125733)
4	1295771	1	100R17AR-12X23",
5	1296121	1	MOUNT, RETURN FILTER
6	122.006.040	2	BOLT,HX,FL,CL10.9 M6X40
7	122.010.020	2	BOLT,HX,FL,CL10.9 M10X20
8	123.006	2	M6 X 1.0
9	155860	1	CYLINDER,LEVELING,DUAL CB
10	122.008.025	2	BOLT,HX,FL,CL10.9 M8X25
11	123.008	4	M8x1.25
12	1003.12.10	1	HA,90°
13	1346221	1	MANIFOLD, LEVELING, HIGH-FLOW,
14	144001	1	DUST COVER
15	1295741	1	100R17AR-10X252"
16	143991	1	COUPLER,
17	1001.12.10	2	-12MORB X -10MORFS
18	1003.12.12	1	HA,90°
19	1019.04	1	SKT,HD PLUG
20	111.005.008	2	BOLT,HX,FL,GR5 5/16-18X1/2
21	163.008.020	2	BOLT,CARR,CL8.8 M8X20
22	1313601	1	MANIFOLD MOUNT
23	155234	1	CAVITY PLUG, 3 WAY, 10 SERIES
24	155238	1	CAVITY PLUG, 2 WAY, 10 SERIES
25	155855	1	CARTRIDGE VALVE,3 POS,4 WAY, PROPORTIONAL, 16GPM
26	155854	2	SOLENOID COIL,M19,PROP,DEUTSCH
27	155236	1	CHECK VALVE, REVERSE DIRECTION

Header Trim Manifold
(Only on combines without factory Header Tilt.)



Model JS7020 Hillco Leveling System
For Serial Numbers JS7020-20001 thru JS7020-20999

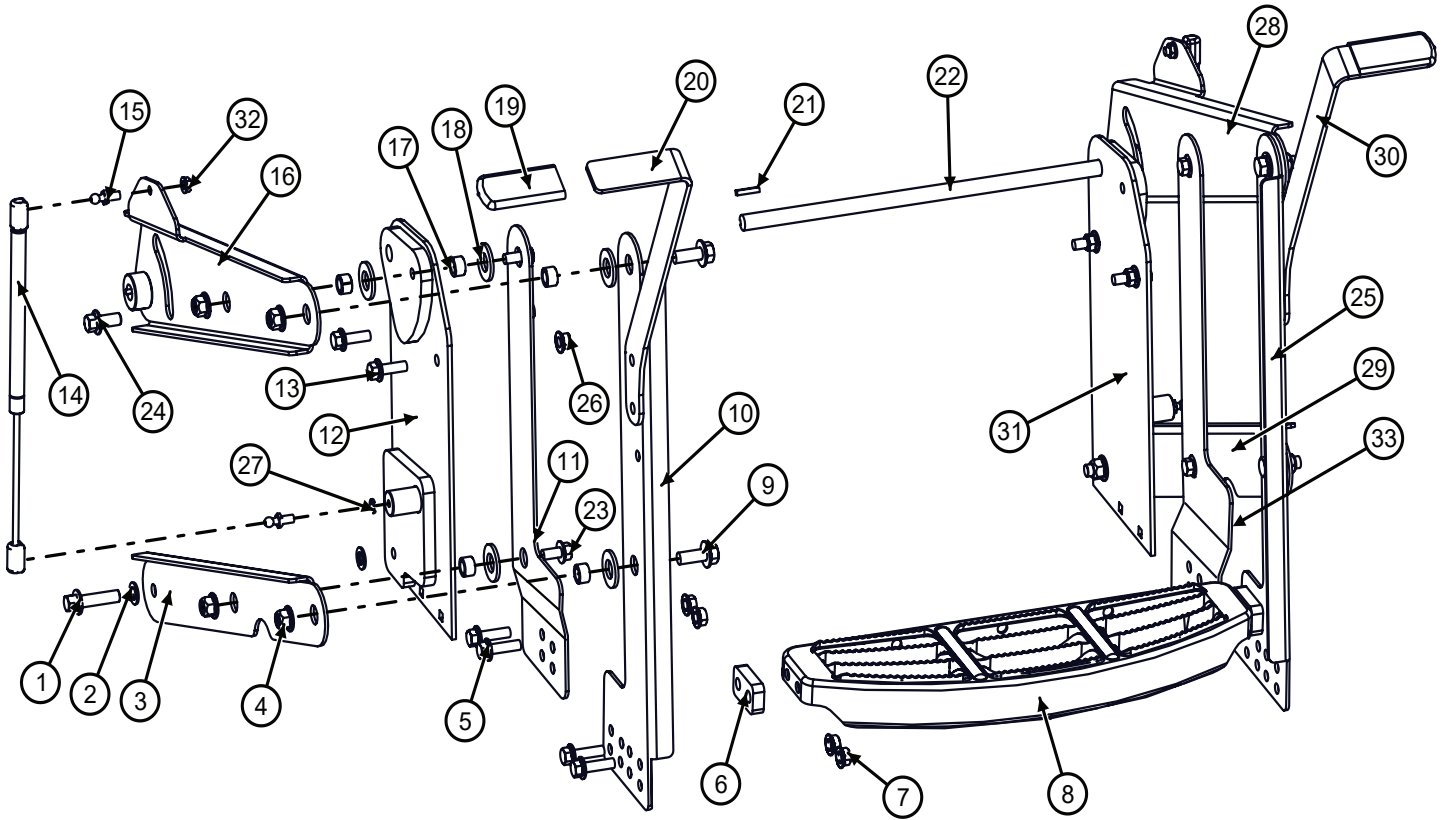
Header Trim Manifold			
BOM ID	Part No.	Qty	Description
1	135791	2	CLAMP, HOSE
2	1003.08.06	2	-8MORB X -6MORFS
3	144001	2	DUST COVER
4	1322112	1	100R17-04 67",
5	143991	2	COUPLER,
6	1322101	1	100R17-04X80",
7	111.005.008	2	BOLT,HX,FL,GR5 5/16-18X1/2
8	1001.04.04	2	HA,STR
9	155860	1	CYLINDER,LEVELING,DUAL CB
10	1331781	1	MANIFOLD, CUSTOM, TRIM
12	1322781	2	100R17AR-04x72",
13	1008.06	2	SWIVEL NUT, RUN, -6ORFS
15	155243	2	CARTRIDGE, PRESSURE RELIEF,
16	155742	2	CARTRIDGE, COUNTERBALANCE CP08-3L CAVITY
17	155249	1	CARTRIDGE VALVE, 3 POS,4 WAY (INCLUDES 155248)
18	HC-145501	1	VALVE, NEEDLE
19	155248	2	SOLENOID COIL, CARTRIDGE, PROP
20	1006.04.04	2	-4FORFS X -4MORFS 90°

Model JS7020 Hillco Leveling System
For Serial Numbers JS7020-20001 thru JS7020-20999

Hydraulic Hoses

Part No.	Qty	Description	Hose Specs
1138942	1	Grease Hose	100R1-03, 33-1/2" 1/8 MPT X 1/8 MPT
1138951	1	Grease Hose	100R1-03, 40" 1/8 MPT X 1/8 MPT
1138963	1	Grease Hose	100R1-03, 54" 1/8 MPT X 1/8 MPT
1138974	2	Grease Hose	100R1-03, 77" 1/8 MPT X 1/8 MPT
1273461	2	Extends Steer Hoses	3/8" R2 #8FF#8MF 15"
1293431	2	Leveling Cylinder Cross-Over Hose	100R2-06 47" #8FORS #8FORS 90°
1295602	2	Leveling Manifold To Leveling Cyl	100R2-08, 103" 08FORSx08FORS
1295741	155860	Pressure, Gear Pump To P Port	CYLINDER,LEVELING,DUAL CB
1295771	1	Return, Manifold To Filter Inlet	100R1-12, 22", 12FORS STR X 12FORS 90°
1295781	1	Return, Filter To Reservoir	100R1-12, 252" 16FORS STR X 16FORS STR
1295791	1	Suction, Reservoir To Gear Pump	100R16-16, 55" 16FORS STR X 20FORS STR
1295802	1	Replaces Jd Hdr Lift Hose	100R16-12, 86" -10FORS 90X16FORS
1296021	1	Replaces John Deere Header Lift Hose	100R2-08, 49" -8MORS STR X -8FORS 90°
1322101	1	Connects Trim Manifold A Port To Rod Port Of Master Cylinder	100R17-04X80",
1322112	1	Connects Trim Manifold B Port To Base Port Of Master Cylinder	100R17-04 67",
1313912	2	Connects Hic Manifold To Hoses 1322781	451TC-04, 252"-4FF STR X -6FF STR
1295882	2	Connects Master Cylinder To Trim Cylinder	451TC-06, 158"-6FF STR X -6FF STR
1322101	1	Connects "B" Port To Slave Cylinder Base Port	100R17AR-04X78" -6FORFS X -4FORFS
1322112	1	Connects Rod Port To A Port Of Trim Manifold	100R17-04X65" -6FORFS X -4FORFS
1322781	2	Connects P&T Trim Manifold Ports To 1313912 Hoses	100R17AR-04x72", 6FORFS X 6MORFS
1336991	2	Connects Counterbalance To Left Cylinder	100R17-AR06 X 13",
Specific to Prodrive combines SN 765001 and later			
1273301	1	Extends Froward Hydro Line	EFG6K-16, 89" -16SPFL 90°x -16SPFL STR
1273462	2	Filter Head; Front & Side Port To Valve Block Ports	100R2-08 62", #10FF x #8FF 90°
1274111	1	Extends Case Drain	100R1-12 24", -16MF STR X -16 FF STR
1297421	1	Extends Ah226084 To Proportionator Motor Supply	100R2-10 66", -10FF 90° x -10MF STR
26	155593	Replaces Ah219243; Connects Rear Filter Port To Proportionator Motor Return	451TC, 5/8" X 127",-10FF STR x -10FF 90°
NS	HC-140361	Extends Ah226119 To The Trans Lube	SEAL KIT, CB VALVE
1297641	1	Extends Right Brake Hose	100R2-06 78", -06MF STR x -06FF 90°
1297651	1	Extends Left Brake Line; Extends Lube Line	100R2-06 60", -06MF STR x -06FF STR
1299191	1	Extends Jd Hose To Shift Block	100R2-04 15", -6FF 90° X -6MF STR
1316861	1	Extends Reverse Hydro Line	EFG6K-16, 71"-16SPFL 90°x -16SPFL STR
Specific to Prodrive Combines SN 765000 and Earlier			
1273462	2	Filter Head; Front & Side Port To Valve Block Ports	100R2-08 62", #10FF x #8FF 90°
1274111	1	Extends Case Drain	100R1-12 24", -16MF STR X -16 FF STR
1276631	1	Extends Rear Hydrostat Line	100R15-16 128", 90° CODE 62 x STR CODE 62
1276642	1	Extends Forward Hydrostat Line (Pro-Drive)	100R15-16 122", 90° CODE 62 x STR CODE 62
1297421	1	Extends Ah226084 To Proportionator Motor Supply	100R2-10 66", -10FF 90° x -10MF STR
1297441	1	Extends Ah226085 To Proportionator Pump Supply	100R1-12 66", -12FF 90° x -12MF STR
1297452	1	Replaces Ah219243; Connects Rear Filter Port To Proportionator Motor Return	100R2-10 147", -10FF STR x -10FF 90°
1297481	1	Extends Ah226119 To The Trans Lube	100R2-06 31", -6FF 90° x -6MF STR
1297641	1	Extends Right Brake Hose	100R2-06 78", -06MF STR x -06FF 90°
1297651	1	Extends Left Brake Line; Extends Lube Line	100R2-06 60", -06MF STR x -06FF STR
1299191	1	Extends Jd Hose To Shift Block	100R2-04 15", -6FF 90° X -6MF STR
Specific to Standard Transmission			
1140403	1	Extends Case Drain	100R1-12, 74",-12MORS x -12FORS
1273301	1	Extends Froward Hydro Line	EFG6K-16, 89" -16SPFL 90°x -16SPFL STR
1296901	1	Extends Parking Brake Hose	100R2-08, 36",-8FORS X -8MORS
1316861	1	Extends Reverse Hydro Line (S.N. -765000)	EFG6K-16, 71"-16SPFL 90°x -16SPFL STR
1140383	1	Extends Reverse Hydro Line (S.N. 765001-)	EFG6K-16, 79" -16SPFL 90°x -16SPFL STR
LA-130371	2	Extends Brake Line (L&R)	HOSE, TITFLEX, 31" -4FORSx4FORS&4UNION

DOUBLE STEP RETRACTABLE LADDER



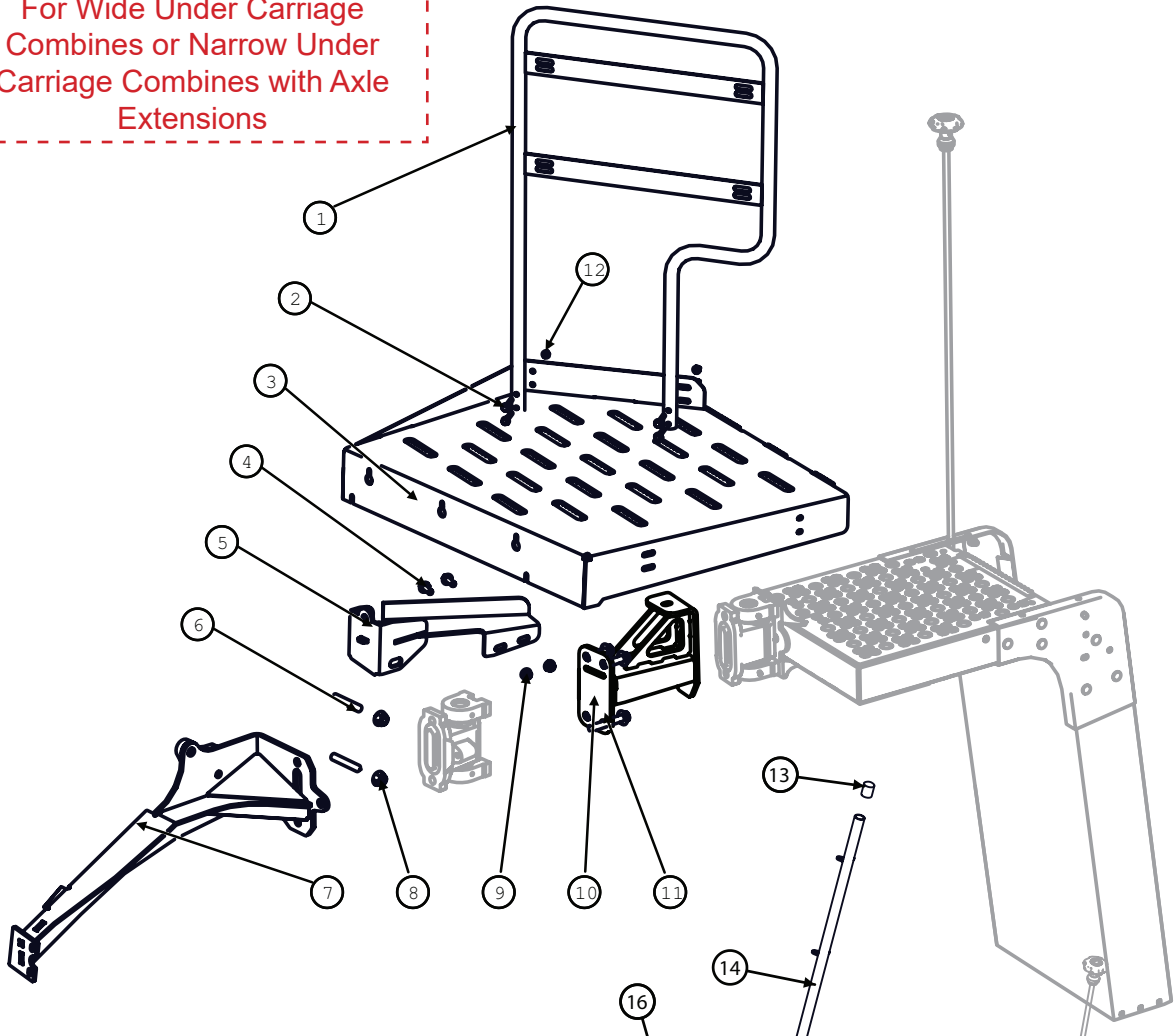
Model JS7020 Hillco Leveling System
For Serial Numbers JS7020-20001 thru JS7020-20999

Retractable Ladder

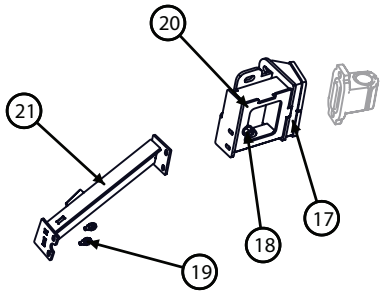
BOM ID	Part No.	Qty	Description
1-32	P500971	1	ASSEMBLY, MOVING STEP (HILLSIDE)
1	122.012.045	2	FLHC-10.9M12X1.75X45
2	162.014.008	4	MACHINE BUSHING 14GA NR 1/2ID
3	1329802	1	LM LINK, LWR RIGHT PARALLEL
4	128.012	10	FLHN-10.9M12X1.75 STVR
5	122.010.035	8	SCREW, FLANGED HEX CAP, 10.9
6	1300191	4	LM SPACER, STEP
7	123.010	12	FLHN-10.9 M10 X 1.50
8	152601	1	STEP, PLATFORM, STEP (HXE19816)
9	122.012.030	4	FLHC-10.9 M12X1.75X30
10	1330281	1	LM PLT, VERTICAL OUTER RIGHT
11	1300113	1	LM LINK, VERTICAL INNER,
12	1300061	1	LM WLD, RHT LADDER MNT
13	122.010.030	4	FLHC 10.9 M10 X 1.5 X 30
14	155327	2	STRUT, LIFT, 100LB, 15OPC, 6" STROKE
15	134931	4	LIFT SUPPORT BRACKETS (PAIR)
16	1329781	1	LM WLD, TOP RIGHT LINK
17	1299181	10	LM BUSHING, LADDER PIVOT
18	153.010.012	10	MACHINE BUSHING 10GA WR 3/4ID
19	151921	2	GRIP, JD#W25634
20	1306352	1	LM PLT, HANDLE, LEFT
NS	1316512	1	LM PLT, HANDLE, LEFT - SHORT
21	10049.03.00016	2	KEY, STR, 3/16 X 3/16 X 1
22	1298191	1	LM RND, ROCK SHAFT
23	122.012.030	4	FLHC-10.9M10X1.75X20
24	122.012.025	2	FLHC-10.9M12X1.75X25
25	1330291	1	LM PLT, VERTICAL OUTER LEFT
26	123.010	4	FLHN-10.9M10X1.5 STVR
27	136.005	2	LOCK WASHER 5/16"
28	1329851	1	LM WLD, TOP LEFT LINK
29	1329812	1	LM LINK, LWR LEFT PARALLEL
30	1300183	1	LM PLT, LADDER HANDLE RIGHT
NS	1316502	1	LM PLT, HANDLE, RIGHT - SHORT
31	1300051	1	LM WLD, LEFT LADDER MNT
32	119.005	2	FLHN 5/16-18
33	1337642	1	LM LINK, VERTICAL INNER, L

Ladder Wedges & Service Ladder Extension

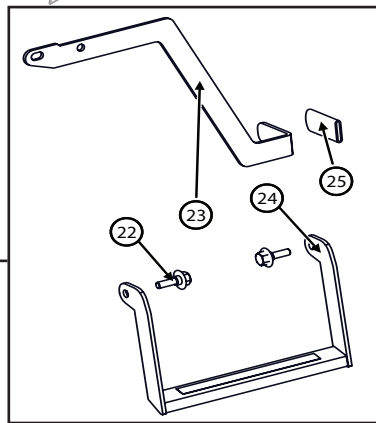
For Wide Under Carriage
Combines or Narrow Under
Carriage Combines with Axle
Extensions



For Narrow Under
Carriage Combines



Engine Deck Service Step

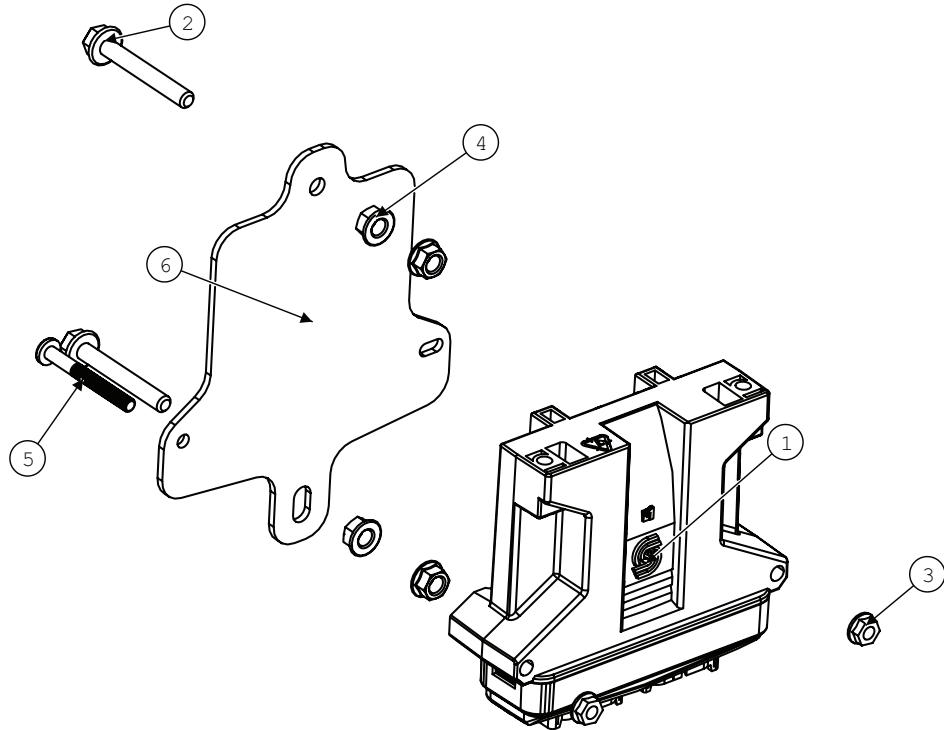


Model JS7020 Hillco Leveling System
For Serial Numbers JS7020-20001 thru JS7020-20999

Ladder Wedge			
BOM ID	Part No.	Qty	Description
1	1346971	1	HANDRAIL 700SERIES
2	122.008.050	4	M8X50
3	1343161	1	PLATFORM, DUAL TIRE
4	122.012.035	2	M12X35
5	1343141	1	PIVOT LOCKOUT
6	155.016.090	2	STUD, DOUBLE-10.9
7	1342721	1	INNER PLATFORM BEAM
8	128.016	2	M16x2.0
9	155860	2	CYLINDER,LEVELING,DUAL CB
10	1343091	1	10" PIVOT EXTENSION
11	122.016.060	3	M16X60
12	123.008	4	M8x1.25
13-21	1314181	1	Narrow Undercarriage Ladder
14	151681	1	SHORT CAP, BLK, 1-1/4ID X 1-1/2L
15	1296681	1	HANDRAIL CORNER
16	122.010.020	4	BOLT,HX,FL,CL10.9 M10X20
17	1301803	1	PLATFORM, 17"
18	122.016.050	2	BOLT,HX,FL,CL10.9 M16X50
19	123.016	1	NUT,HX,FL,CL10 M16
20	123.01	12	NUT,HX,FL,CL10 M10
21	1300681	1	PIVOT EXTENSION
Engine Deck Service Step			
22-25	1340581	1	SERVICE LADDER EXTENSION
22	1348281	2	SERVICE LADDER HINGE
23	1340591	1	HANDLE, SERVICE LADDER EXTENSION
24	1340571	1	SERVICE LADDER EXTENSION
25	151921	1	GRIP

Model JS7020 Hillco Leveling System
For Serial Numbers JS7020-20001 thru JS7020-20999

Controller Harnesses



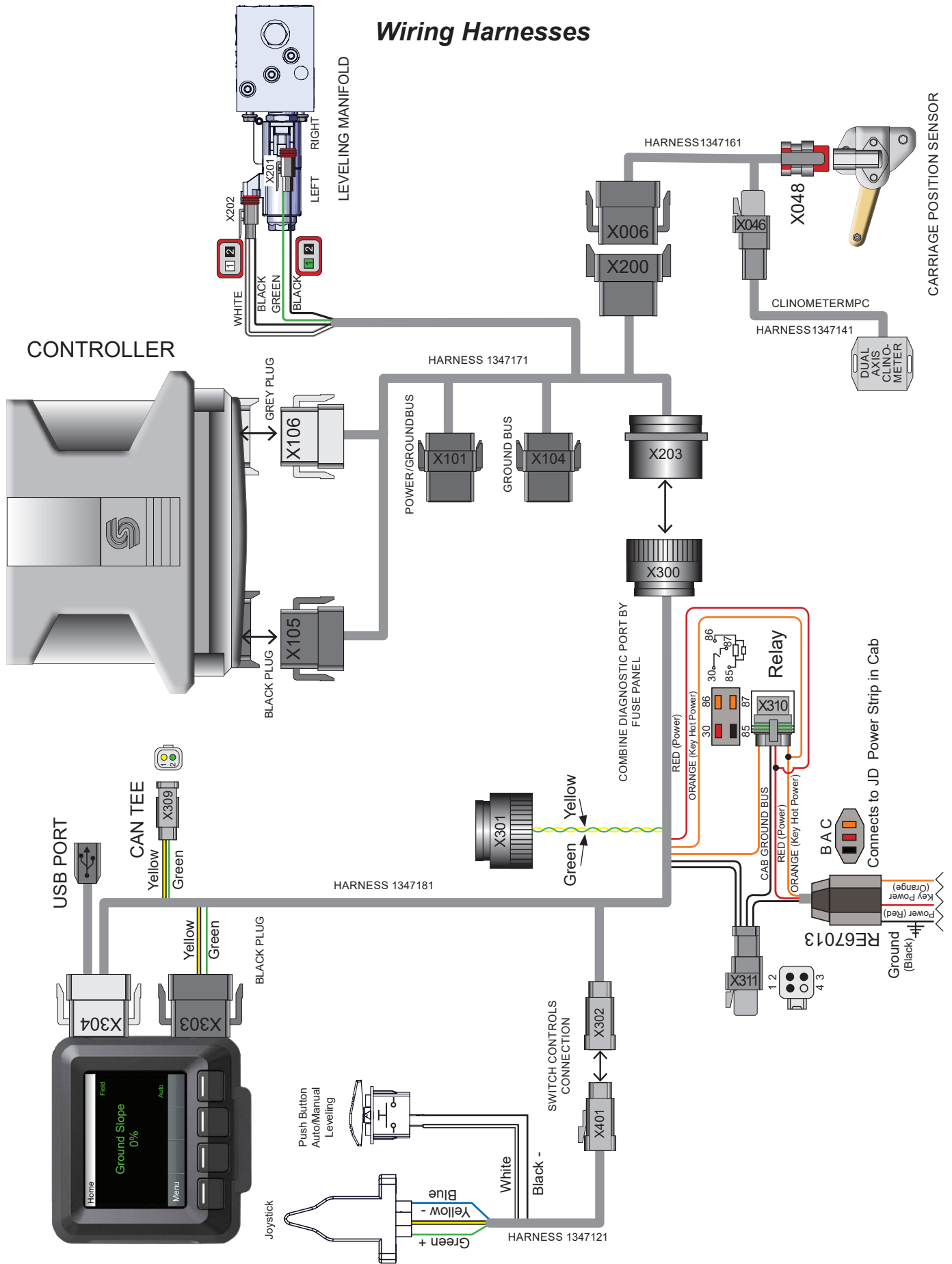
Electrical Components				
BOM ID	Part No.	Qty	Description	
1-6	LA-295211	1	EM ASM, CONTROLLER W/MNT	
1	1346643	1	SAUER-DANFOSS PLUS 1 CONTROLLER	
2	122.008.060	2	FLHC-M08X1.25X60	
3	119.004	2	FLHN-GR5 1/4-20	
4	123.008	4	FLHN 10.9 M8 X 1.25	
5	114.004.036	2	PHMS-GR5-1/4-20 X 2-1/4"	
6	1295201	1	EM PLT, CONTROLLER MNT	

Wiring Harnesses			
BOM ID	Part No.	Description	Purpose
NS	1294743	EM HARNESS, PRIMARY	POWER SUPPLY & SENSOR PACKAGE
NS	1295342	EM HARNESS, TA SENSOR	TRANSITION TILT SENSOR
NS	1295181	EM HARNESS, SENSOR PACKAGE	SENSOR PACKAGE WIRING
NS	1322771	TRIM SIGNAL EXTENSION	CONNECTS TRIM MANIFOLD TO DEERE CONTOUR MASTER
NS	1320731	HEADER TRIM	CONNECTS TRIM MANIFOLD TO DEERE CONTOUR MASTER
NS	1319741	PRIMARY HARNESS EXTENSION	EXTENSION FOR POWER SUPPLY
NS	1323231	CAB POWER PIGTAIL	POWER SUPPLY

See next page for wiring harness diagram.

Model JS7020 Hillco Leveling System
 For Serial Numbers JS7020-20001 thru JS7020-20999

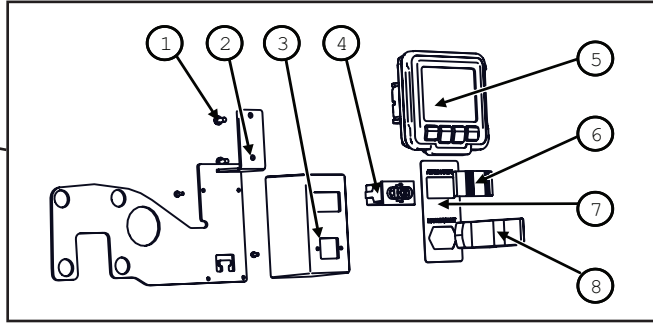
Wiring Harnesses



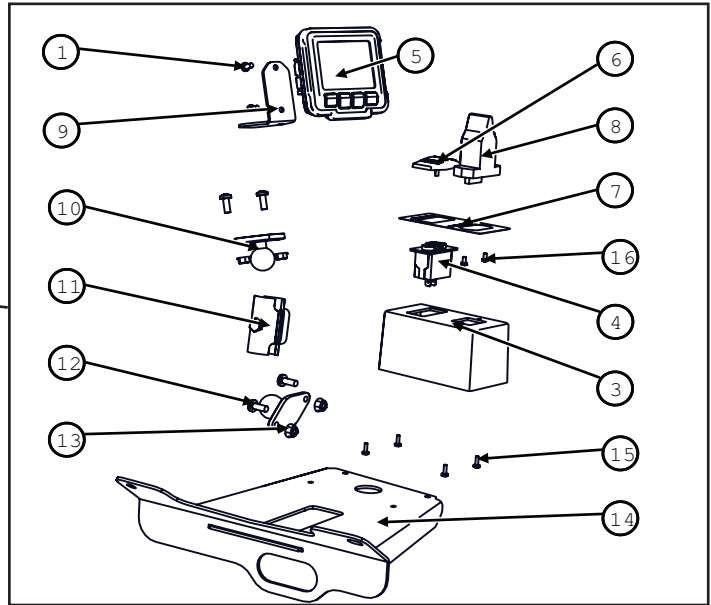
Model JS7020 Hillco Leveling System
For Serial Numbers JS7020-20001 thru JS7020-20999

Monitor

S700 SERIES



S600 SERIES



Electrical Components

BOM ID	Part No.	Qty	Description
1	171.005.010	2	SCREW,PHM,CH M5X10
2	1347231	1	MOUNT, 700 SERIES LEVELER CONTROLS
3	1346991	1	BOX, SWITCH MOUNT
4	155785	1	SWITCH, SPST MOMENTARY
5	155685	1	DISPLAY, CC PILOT, 3.5" VI, 16MB PROGRAM 1347422 FOR S600 COMBINES PROGRAM 1347132 FOR S700 COMBINES
6	EC-149581	1	CONTURA BLACK ACTUATOR WAYTEK 44361
7	155796	1	DECAL, SWITCH BOX, LEVELING SYSTEM
8	155784	1	JOYSTICK, SINGLE AXIS
9	1347581	1	DISPLAY MOUNT
10	153851	2	RAM 2-7/16" X 1-5/16" BASE W/ 1" BALL
11	153871	1	RAM, DBL SOCKET ARM FOR 1" BALL, 2" SOCKET TO SOCKET LENGTH
12	171.006.016	4	SCREW,PHM,CH M6X16
13	123.006	4	M6 X 1.0
14	1347561	1	MONITOR MOUNT, S
15	114.#06.006	4	SCREW,PHM,CH 6-32X3/8
16	171.003.006	2	SCREW,PHM,CH M3X6

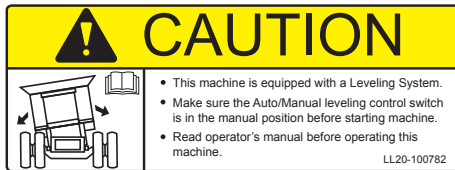
Model JS7020 Hillco Leveling System
 For Serial Numbers JS7020-20001 thru JS7020-20999
Decals and Literature



1) LL-133741



2) LL-151041



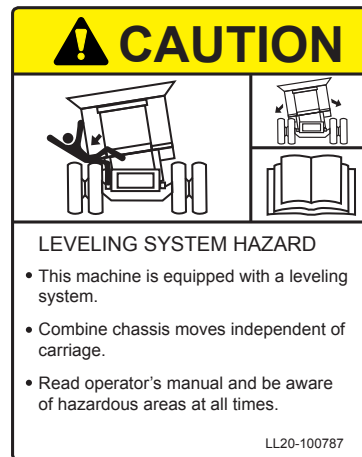
3) LL20-100782



4) LL20-100784



5) LL20-100783



6) LL20-100787



7) LL20-100786



8) LL20-100788



9) LL-143621

Model JS7020 Hillco Leveling System
For Serial Numbers JS7020-20001 thru JS7020-20999

DECALS AND LITERATURE				
REF.	PART NO.	QTY.	PART NAME	DESCRIPTION
1	LL-133741	1	LABEL, GREASE 50 HRS	OC BULKHEAD
1	LL-133741	2	LABEL, GREASE 50 HRS	RIGHT & LEFT MAIN LEV CYL BOTTOM
1	LL-133741	1	LABEL, GREASE 50 HRS	MASTER CYLINDER ROD
2	LL-151041	2	DECAL, HILLSIDE LEVELING SYSTEM	SIDE OF COMBINE
3	LL-153691	2	DECAL, 20 YEAR ANIVERSARY	SIDE OF COMBINE
4	LL20-100782	1	CAUTION LEVELING SYSTEM CAB	WINDOW IN CAB
5	LL20-100783	2	DANGER, CRUSHING HAZARD	RIGHT & LEFT UNDERCARRIAGE
5	LL20-100783	2	DANGER, CRUSHING HAZARD	SIDES OF DROP AXLE ASSEMBLY
6	LL20-100784	2	DECAL, DANGER PINCH POINT	RIGHT & LEFT UPPER TRANS FACE PLT
7	LL20-100786	1	WARNING ELECTRICAL CRUSHING HAZARD	FRONT OF ELECTRICAL CONTROL BOX
8	LL20-100787	1	CAUTION - LEVELING SYSTEM HAZARD	ON LADDER PLATFORM
9	LL20-100788	1	DANGER - HYDRAULIC HAZARD	ON SIDE OF COMBINE ABOVE THE HYDRAULIC MANIFOLD
9	LL20-100788	2	DANGER - HYDRAULIC HAZARD	FOR EACH LEVELING CYLINDER
10	LL-143621	2	DANGER, AVOID CRUSHING INJURY	IN AREA NEAR SAFETY STOP STORAGE LOCATION
NS	LL-147651	1	LABEL, FEMA MEMBER TAG	NEAR SERIAL NUMBER TAG
NS	LA-255961	1	TAG, SERIAL NUMBER	
NS	LL-289641	1	CM LABEL, MECHANICAL CYLINDER STOP	
NS	D-120620CMA01A	1	MANUAL, PARTS	
NS	D-111124CMA01B	1	MANUAL, OPERATORS	
NS	D-050611SLR01	1	WARRANTY REGISTRATION CARD	
NS	LL-239412	1	LABEL, STEERING WHEEL	TIED TO STEERING WHEEL DURING INSTALLATION
NS	D-120412CMA01	3	DEALER PDI & INSTALL CHECKLIST	

Model JS7020 Hillco Leveling System
For Serial Numbers JS7020-20001 thru JS7020-20999

Notes

Model JS7020 Hillco Leveling System
For Serial Numbers JS7020-20001 thru JS7020-20999

Hillco Technologies, Inc.
107 1st Avenue
Nezperce, Idaho 83543

Phone	800-937-2461
	208-937-2461
Fax	208-937-2280

www.hillcotechnologies.com
email: support@hillcotechnologies.com