

Model JS9020 Hillco Leveling System
For Serial Numbers JS9020-21001 thru JS9020-21999



Model JS9020 Sidehill Leveling System Parts Manual

SN JS9020-21001 thru JS9020-21999
For John Deere S680, S690, S780 & S790
S Series Combines



Table of Contents

| | |
|--|-----------|
| General Information | 3 |
| Serial Number Location | 3 |
| Text and Illustrations | 3 |
| Abbreviations | 3 |
| Right and left Identification | 3 |
| Part Orders | 3 |
| Transition | 4 |
| Tilt Sensor | 5 |
| Feeder Drum Arms and Chain Extensions | 6 |
| Transition Throat | 8 |
| Transition Throat - Hydraulic Fore/Aft | 10 |
| Transition Header Adapter | 12 |
| Transition Header Adapter - Hydraulic Fore/Aft | 14 |
| Carriage | 16 |
| Overcarriage | 17 |
| Undercarriage | 19 |
| Carriage Misc. Parts | 21 |
| Carriage Position Sensor | 23 |
| Drop Axle | 25 |
| Hydraulic Components | 26 |
| Leveling Manifold | 27 |
| Header Trim Manifold | 29 |
| John Deere Header Lift Manifold | 31 |
| Hydraulic Hoses | 32 |
| Retractable Ladder | 33 |
| Double Step Retractable Ladder | 33 |
| Ladder Wedge & Service Ladder Extension | 35 |
| Electrical | 37 |
| Controller | 37 |
| Wiring Harnesses | 38 |
| Monitor | 39 |
| Decals and Literature | 39 |

Contact Information

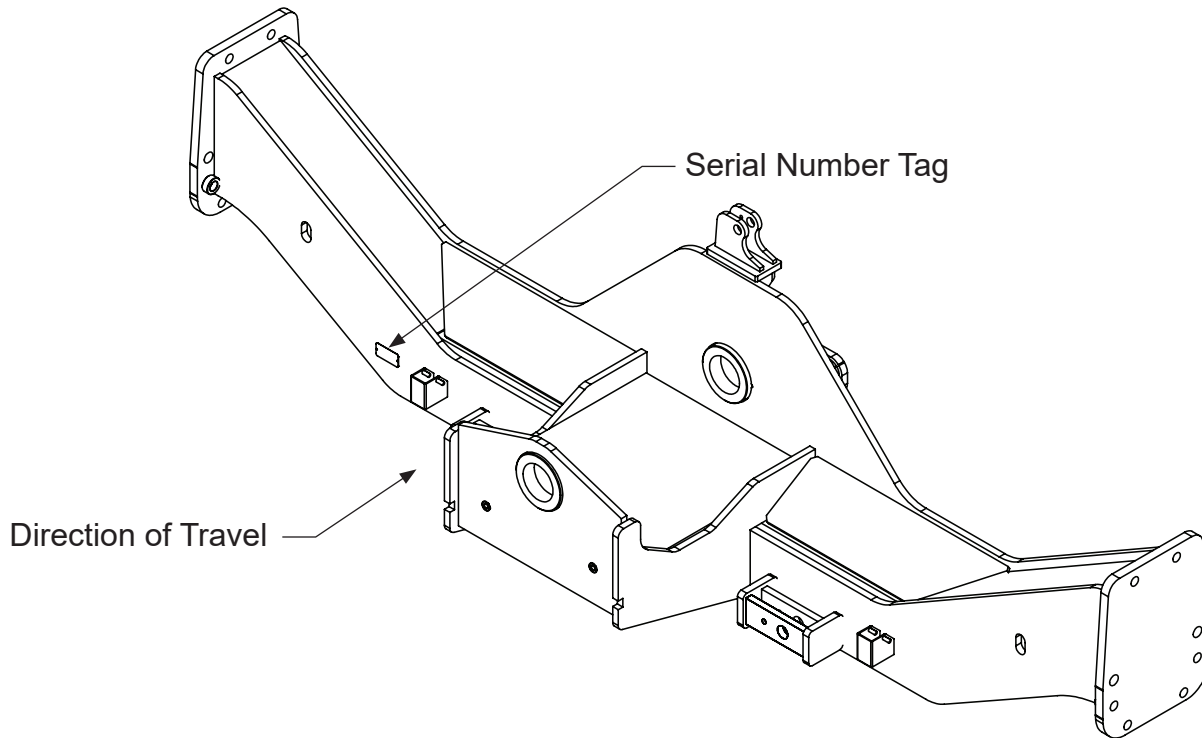
Hillco Technologies, Inc.
107 1st Avenue
Nezperce, Idaho 83543

| | |
|-------|--------------|
| Phone | 800-937-2461 |
| | 208-937-2461 |
| Fax | 208-937-2280 |

www.hillcotechnologies.com
email: support@hillcotechnologies.com

GENERAL INFORMATION

SERIAL NUMBER LOCATION



TEXT AND ILLUSTRATIONS

The arrangement of this parts catalog is for easy identification of parts. All parts are illustrated in exploded views in proper relation to each other. Some diagrams refer to other pages for further information. Reference numbers used in the illustrations refer to line numbers in the part lists. The part lists appear to the right or below all diagrams and correspond with those diagrams. Included in the part lists, along with the reference numbers are part numbers, part descriptions and the quantity of the part required per leveling system.

ABBREVIATIONS

SN "Serial Number" refers to the serial number given to each leveling system (by Hillco Technologies), as well as the serial number given to the combine (by the specific combine manufacturer) the leveling system is installed. See above for the leveling system's serial number location. This abbreviation is used interchangeably in both instances. Each Model JS9020 Leveling System uses the following serial number format: JS9020-XXXXX (sequential numbers).

ASM "Assembly" refers to a whole grouping of parts (shown in the diagram corresponding with the page where "ASM" is shown unless otherwise noted). Some assemblies have parts that are sold separately, however some must be purchased as a single unit. Hillco Product Specialists will be able to assist you with any questions.

NS "Not Shown" refers to a part that is not depicted in the illustration.

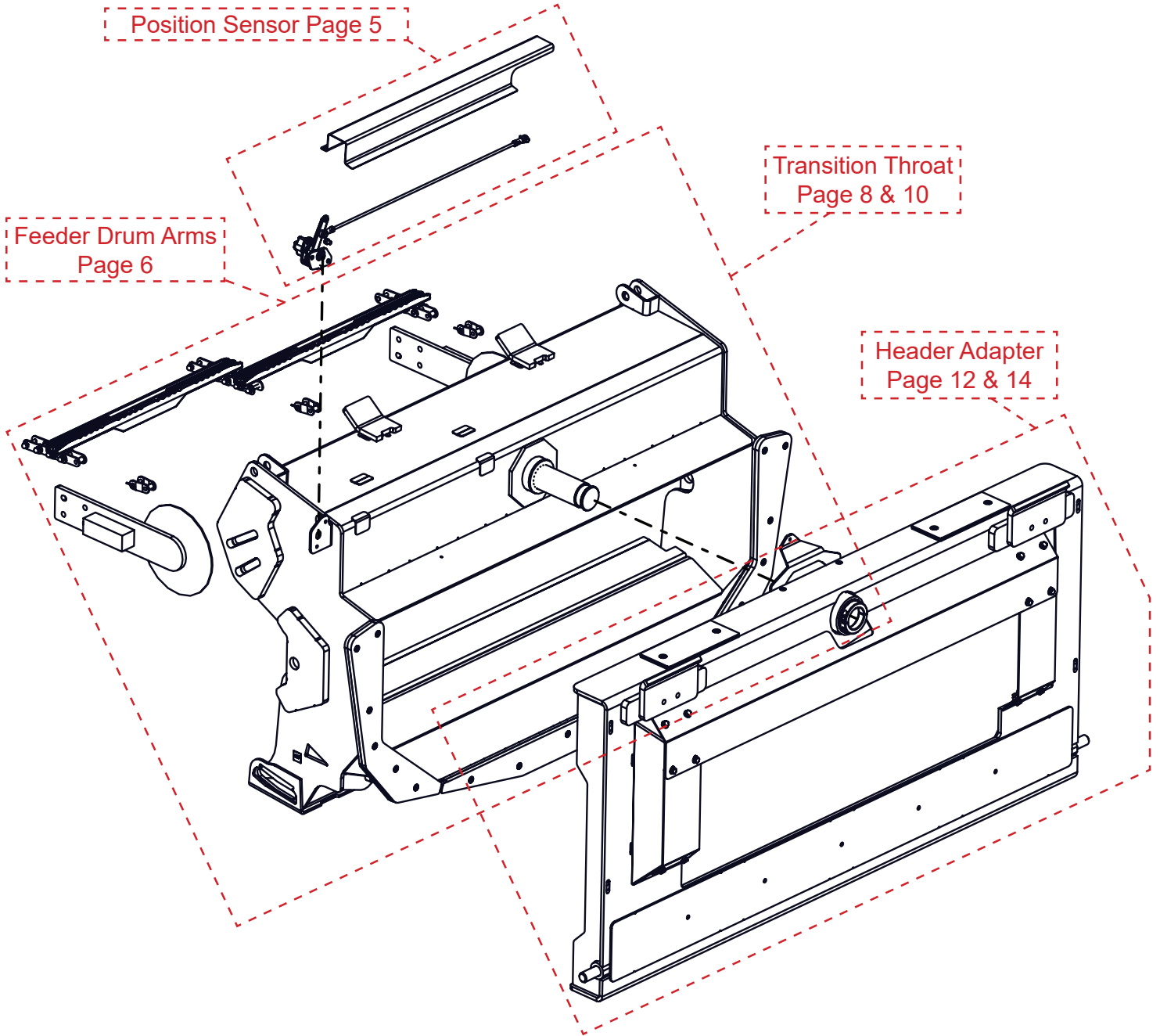
RIGHT AND LEFT IDENTIFICATION

The reference to right-hand and left-hand in this catalog is identified by the operator sitting in the operator's seat, looking toward the front of the machine (in normal forward travel).

PART ORDERS

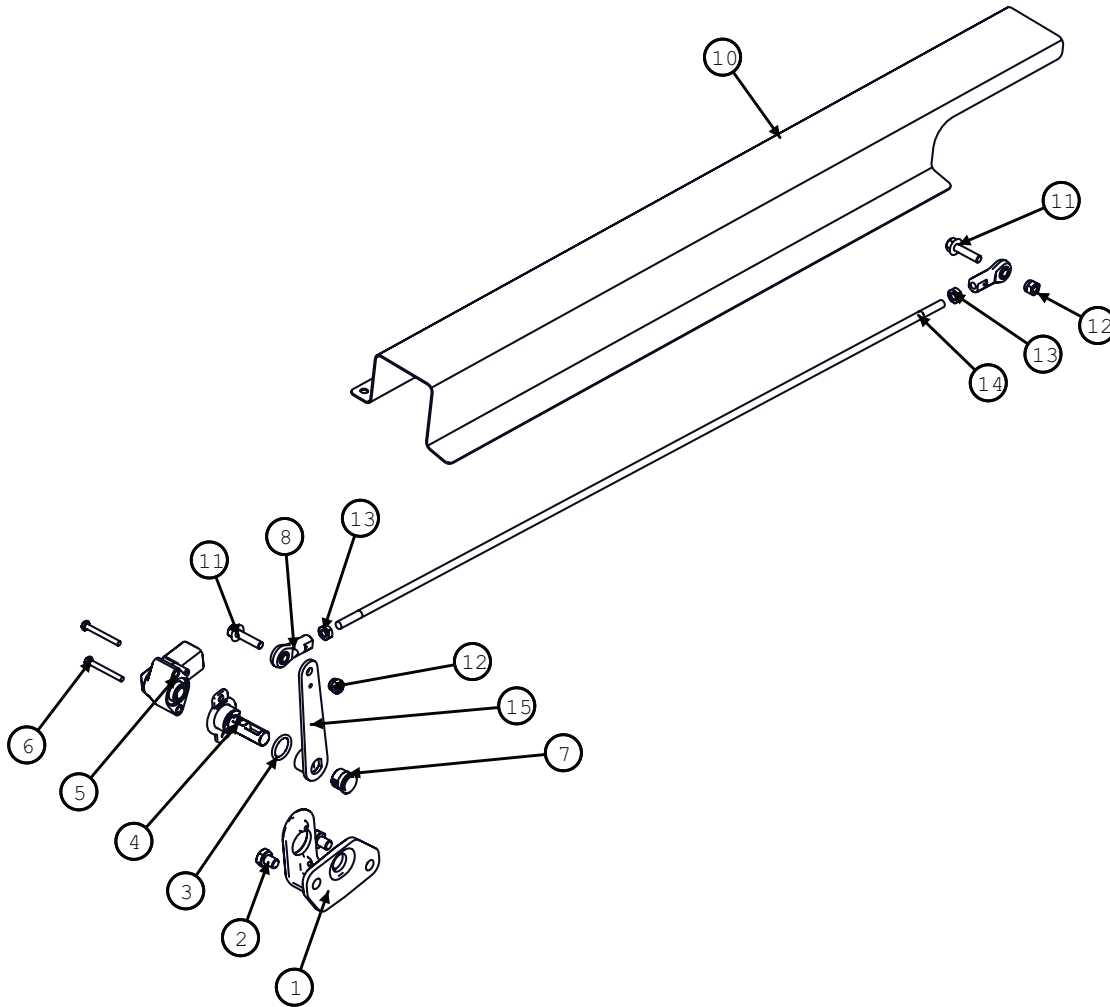
Orders must specify product model, serial number, correct part number, complete description, quantity required, method of shipment, shipping address, and billing address.

TRANSITION



Model JS9020 Hillco Leveling System
 For Serial Numbers JS9020-21001 thru JS9020-21999

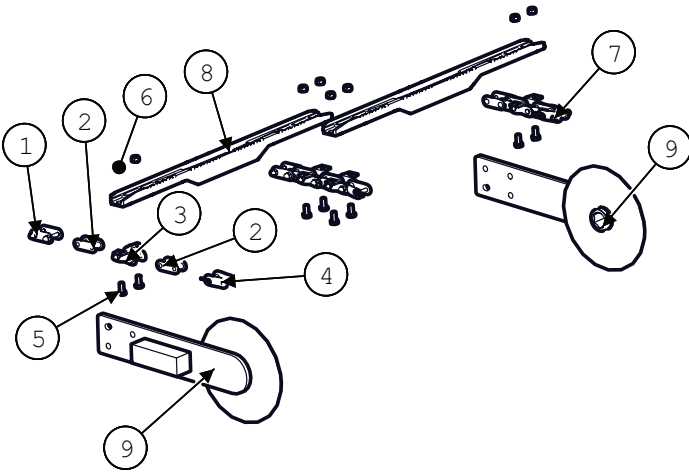
TRANSITION TILT SENSOR



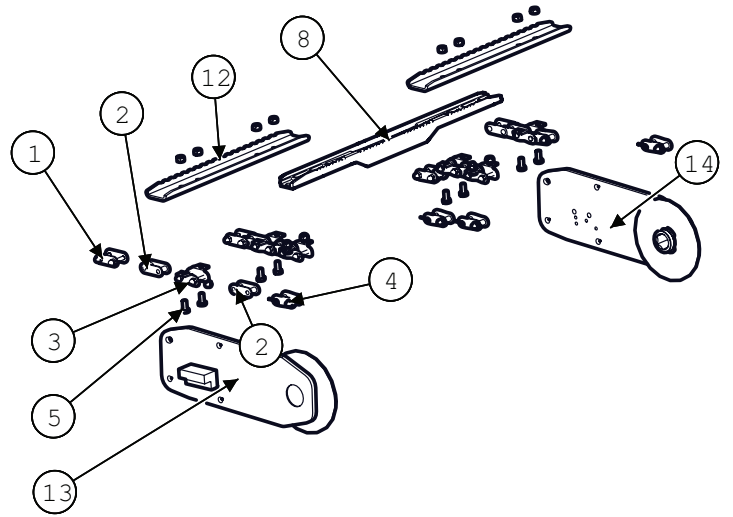
| TRANSITION POSITION SENSOR | | | |
|----------------------------|-------------|-----|-------------------------|
| BOM ID | Part No. | Qty | Description |
| 1 | 151321 | 1 | BRACKET, SENSOR |
| 2 | 122.008.020 | 2 | BOLT,HX,CL8.8 M8X20 |
| 3 | 151391 | 1 | O-RING, 11/16 ID |
| 4 | 151401 | 1 | SENSOR SHAFT, |
| 5 | 151381 | 1 | SENSOR, ROTATION, |
| 6 | 170.004.035 | 2 | BOLT, HX,CL8.8 |
| 7 | 151361 | 1 | BUSHING, |
| 8 | 151881 | 2 | ROD END, BALL JOINT, |
| 9 | 201.006.036 | 1 | PIN,ROLL M6X36 |
| 10 | 1295541 | 1 | SENSOR LINKAGE SHIELD |
| 11 | 122.006.025 | 2 | BOLT,HX,FL,CL10.9 M6X25 |
| 12 | 191.006 | 2 | NUT,HX,NYL,CL8 M6 |
| 13 | 184.004 | 2 | NUT,HX,JAM,GR5 1/4-28 |
| 14 | 1295502 | 1 | SENSOR ROD |
| 15 | 151371 | 1 | ARM, TILT SENSOR |

Feeder Drum Arms and Chain Extensions

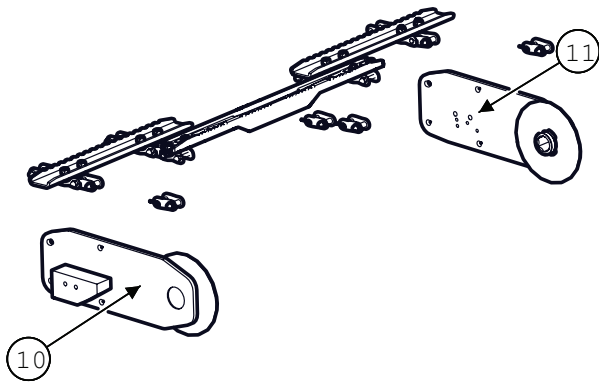
10" Drum, 3 Strand



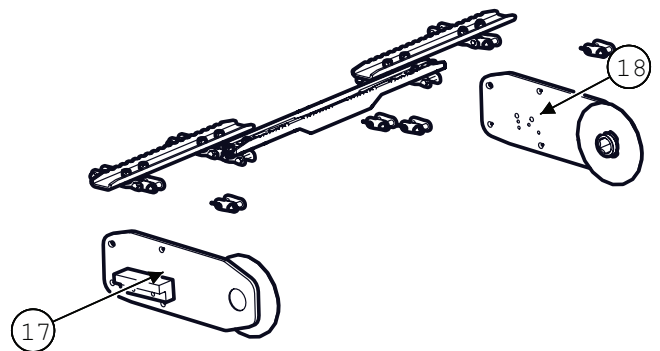
8" Drum, Full Travel, Hydraulic Fore/Aft



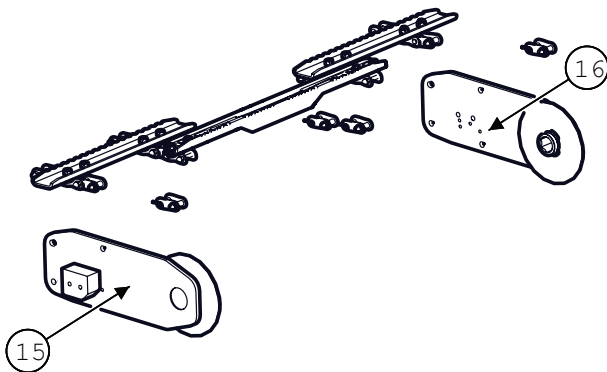
8" Drum, Limited Travel



8" Drum, Full Travel



8" Drum, Limited Travel, Hydraulic Fore/Aft

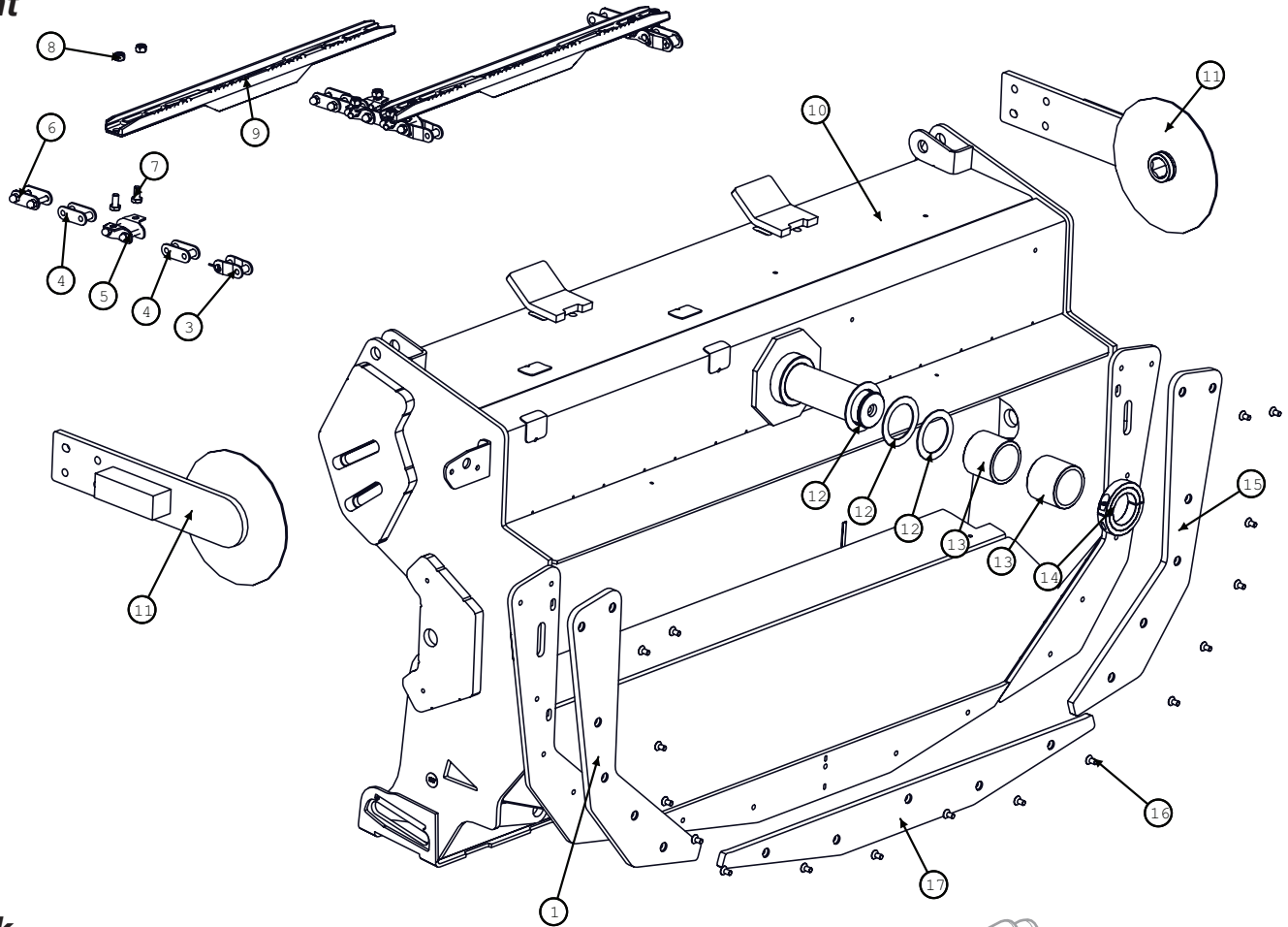


Model JS9020 Hillco Leveling System
For Serial Numbers JS9020-21001 thru JS9020-21999

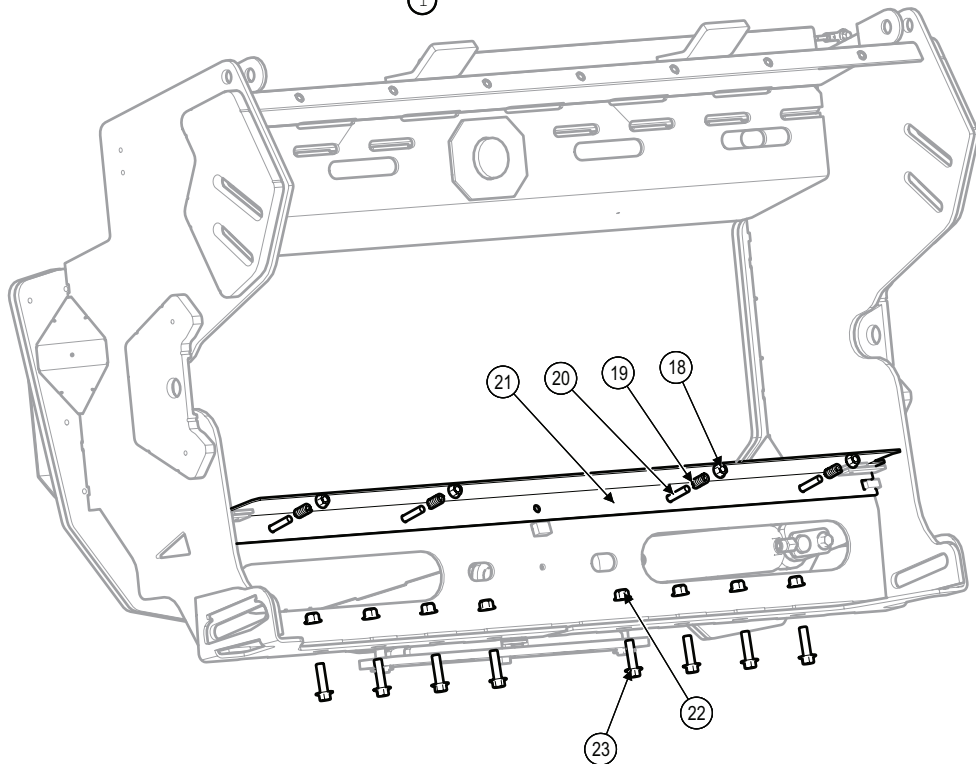
| Feeder Drum Arms & Feeder Chain | | | |
|--|-----------------|------------|---|
| 10" DRUM, 3-STRAND, | | | |
| BOM ID | Part No. | Qty | Description |
| 140261 | 1 | 3 | COUPLER, CA557 CHAIN LINK |
| 146391 | 2 | 6 | LINK, FEMALE, CA557 |
| 146381 | 3 | 4 | CHAIN LINK WITH K6 SIDEBAR |
| 146641 | 4 | 3 | LINK, OFFSET COUPLER CA557 |
| 120.010.020 | 5 | 10 | BOLT,HX,CL10.9 M10 |
| 126.01 | 6 | 10 | NUT,HX,STV,CL10 M10 |
| 146211 | 7 | 3 | NUT 8MM X 1.25 ACORN |
| 146402 | 8 | 2 | SLAT, CAST |
| 1269141 | 9 | 2 | 10" FEEDR DRUM ARM |
| 8" DRUM, LIMITED TRAVEL | | | |
| 140261 | 1 | 4 | COUPLER, CA557 CHAIN LINK |
| 146391 | 2 | 8 | LINK, FEMALE, CA557 |
| 146381 | 3 | 6 | CHAIN LINK WITH K6 SIDEBAR |
| 146641 | 4 | 4 | LINK, OFFSET COUPLER CA557 |
| 120.010.020 | 5 | 12 | BOLT,HX,CL10.9 M10 |
| 126.01 | 6 | 12 | NUT,HX,STV,CL10 M10 |
| 146211 | 7 | 6 | NUT 8MM X 1.25 ACORN |
| 146402 | 8 | 3 | SLAT, CAST |
| 1324681 | 10 | 1 | 8" DRUM ARM, LIMITED TRAVEL |
| 1324671 | 11 | 1 | 8" DRUM ARM, LIMITED TRAVEL |
| 155308 | 12 | 2 | SHORT CONVEYOR |
| 8" DRUM, FULL TRAVEL, HYDRAULIC FORE/AFT | | | |
| 140261 | 1 | 4 | COUPLER, CA557 CHAIN LINK |
| 146391 | 2 | 8 | LINK, FEMALE, CA557 |
| 146381 | 3 | 6 | CHAIN LINK WITH K6 SIDEBAR |
| 146641 | 4 | 4 | LINK, OFFSET COUPLER CA557 |
| 120.010.020 | 5 | 12 | BOLT,HX,CL10.9 M10 |
| 126.01 | 6 | 12 | NUT,HX,STV,CL10 M10 |
| 146211 | 7 | 6 | NUT 8MM X 1.25 ACORN |
| 146402 | 8 | 3 | SLAT, CAST |
| 155308 | 12 | 2 | SHORT CONVEYOR |
| 1319641 | 13 | 1 | 8" DRUM ARM, FULL TRAVEL, HYDRAULIC FORE/AFT |
| 1319631 | 14 | 1 | 8" DRUM ARM, FULL TRAVEL, HYDRAULIC FORE/AFT |
| 8" DRUM, LIMITED TRAVEL, HYDRAULIC FORE/AFT | | | |
| 140261 | 1 | 4 | COUPLER, CA557 CHAIN LINK |
| 146391 | 2 | 8 | LINK, FEMALE, CA557 |
| 146381 | 3 | 6 | CHAIN LINK WITH K6 SIDEBAR |
| 146641 | 4 | 4 | LINK, OFFSET COUPLER CA557 |
| 120.010.020 | 5 | 12 | BOLT,HX,CL10.9 M10 |
| 126.01 | 6 | 12 | NUT,HX,STV,CL10 M10 |
| 146211 | 7 | 6 | NUT 8MM X 1.25 ACORN |
| 146402 | 8 | 3 | SLAT, CAST |
| 155308 | 12 | 2 | SHORT CONVEYOR |
| 1324841 | 15 | 1 | 8" DRUM ARM, LIMITED TRAVEL, HYDRAULIC FORE/AFT |
| 1324831 | 16 | 1 | 8" DRUM ARM, LIMITED TRAVEL, HYDRAULIC FORE/AFT |
| 8" DRUM, FULL TRAVEL | | | |
| 140261 | 1 | 4 | COUPLER, CA557 CHAIN LINK |
| 146391 | 2 | 8 | LINK, FEMALE, CA557 |
| 146381 | 3 | 6 | CHAIN LINK WITH K6 SIDEBAR |
| 146641 | 4 | 4 | LINK, OFFSET COUPLER CA557 |
| 120.010.020 | 5 | 12 | BOLT,HX,CL10.9 M10 |
| 126.01 | 6 | 12 | NUT,HX,STV,CL10 M10 |
| 146211 | 7 | 6 | NUT 8MM X 1.25 ACORN |
| 146402 | 8 | 3 | SLAT, CAST |
| 155308 | 12 | 2 | SHORT CONVEYOR |
| 1324711 | 17 | 1 | 8" DRUM ARM, FULL TRAVEL |
| 1324701 | 18 | 1 | 8" DRUM ARM, FULL TRAVEL |

Model JS9020 Hillco Leveling System
For Serial Numbers JS9020-21001 thru JS9020-21999
TRANSITION THROAT - NON HYDRAULIC FORE/AFT

Front



Back



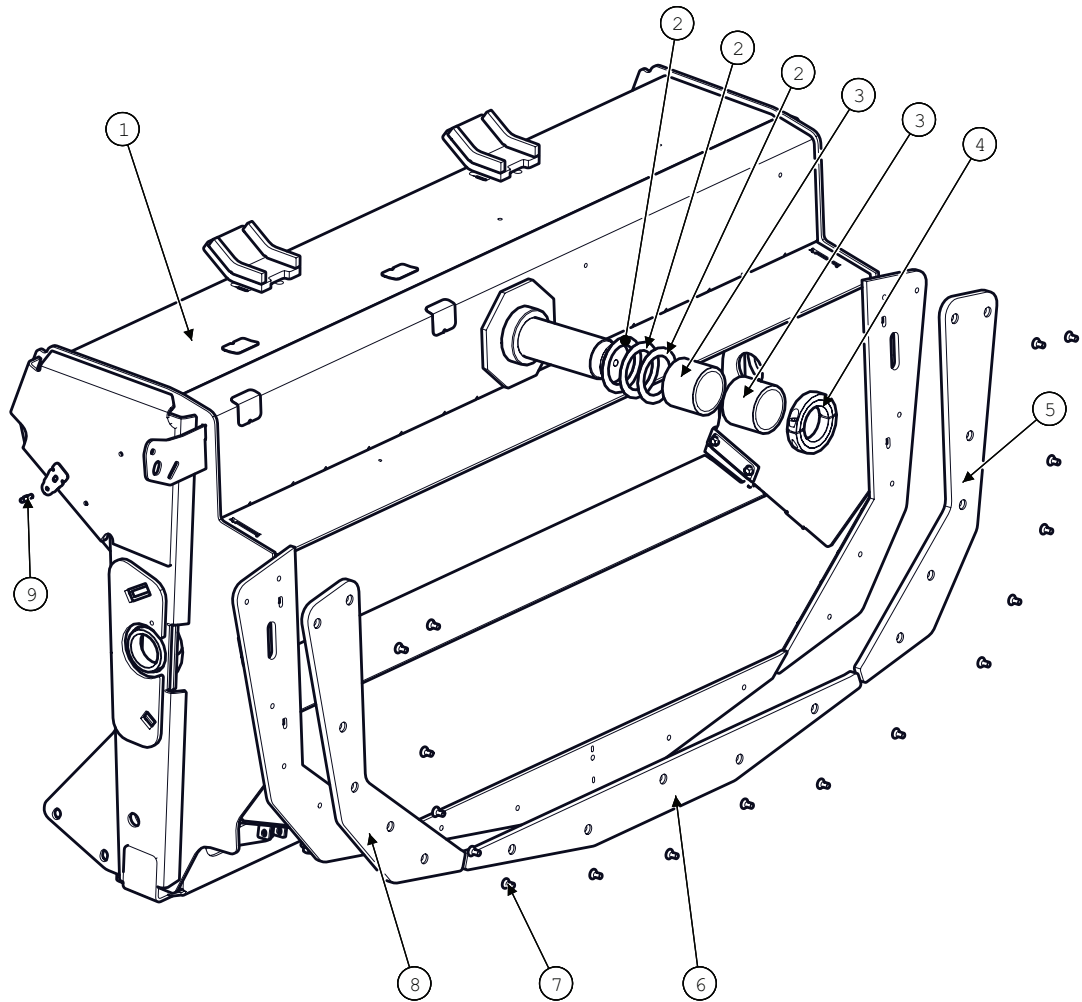
Model JS9020 Hillco Leveling System
For Serial Numbers JS9020-21001 thru JS9020-21999

| Transition Throat | | | |
|--------------------------|-----------------|------------|---|
| BOM ID | Part No. | Qty | Description |
| 1 | 1250571 | 1 | RIGHT WEARPAD |
| 3 | 146641 | 3 | LINK, OFFSET COUPLER CA557 |
| 4 | 146391 | 6 | LINK, FEMALE, CA557 |
| 5 | 146381 | 4 | CHAIN LINK WITH K6 SIDEBAR |
| 6 | 140261 | 3 | COUPLER, CA557 CHAIN LINK |
| 7 | 120.01 | 8 | BOLT,HX,CL10.9 M10 |
| 8 | 126.01 | 8 | NUT,HX,STV,CL10 M10 |
| 9 | 146402 | 2 | SLAT, CAST (See previous pages for more slat options) |
| 10 | 1290461 | 1 | THROAT, SIDEHILL |
| 11 | 1269141 | 2 | FEEDR DRUM ARM (10" - See previous pages for more drum arm options) |
| 12 | 162.014.040 | 3 | BUSHING,MACH,NR |
| 13 | 1241721 | 2 | PIVOT BUSHING |
| 14 | 150742 | 1 | COLLAR,CLAMPING,2-1/2 ID 3-3/4 OD, 2 PIECE HEAVY |
| 15 | 1250561 | 1 | LEFT WEARPAD |
| 16 | 164.008.016 | 17 | SCREW,FHSC,CL10.9 M8X16 |
| 17 | 1250581 | 1 | BOTTOM WEARPAD |
| 18 | 191.010 | 4 | NUT,HX,NYL,CL10 M10 |
| 19 | 143591 | 4 | SPRING, COMPRESSION |
| 20 | 163.010.060 | 4 | BOLT,CARR,CL8.8 M10 |
| 21 | 1313751 | 1 | FLEX FLOOR |
| 22 | 128.012 | 8 | NUT,HX,FL,STV,CL10 M12 |
| 23 | 122.012.045 | 8 | BOLT,HX,FL,CL10.9 M12X45 |

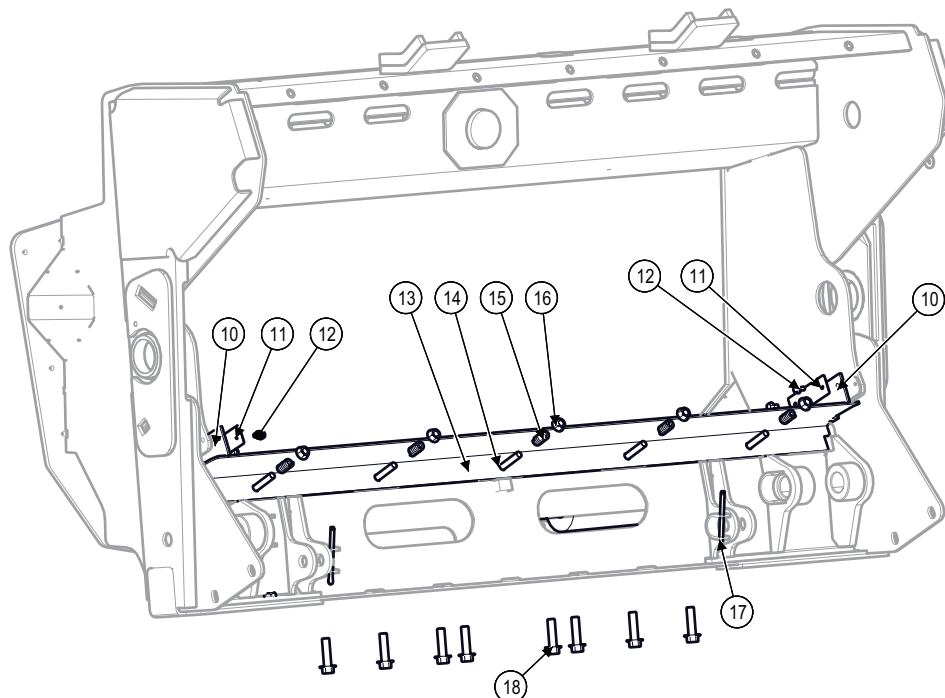
Model JS9020 Hillco Leveling System
For Serial Numbers JS9020-21001 thru JS9020-21999

TRANSITION THROAT - HYDRAULIC FORE/AFT

Front



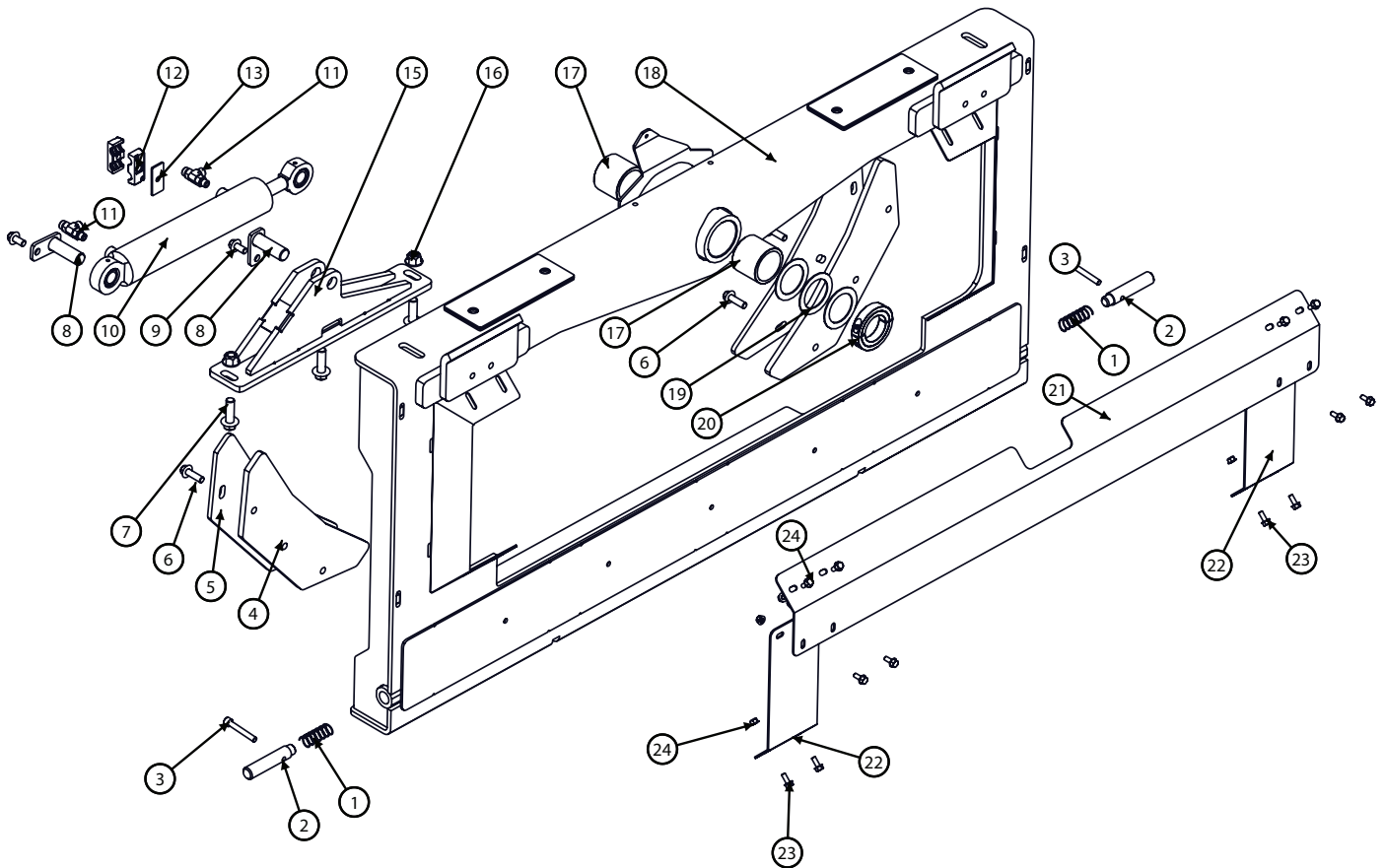
Back



Model JS9020 Hillco Leveling System
For Serial Numbers JS9020-21001 thru JS9020-21999

| Transition Throat - Hydraulic Fore/Aft | | | |
|---|-----------------|------------|--|
| BOM ID | Part No. | Qty | Description |
| 1 | 1318241 | 1 | THROAT, SIDEHILL |
| 2 | 162.014.040 | 3 | BUSHING,MACH,NR |
| 3 | 1241721 | 2 | PIVOT BUSHING |
| 4 | 150742 | 1 | COLLAR,CLAMPING,2-1/2 ID 3-3/4 OD, 2 PIECE HEAVY |
| 5 | 1250561 | 1 | LEFT WEARPAD |
| 6 | 1250581 | 1 | BOTTOM WEARPAD |
| 7 | 164.008.016 | 17 | SCREW,FHSC,CL10.9 M8X16 |
| 8 | 1250571 | 1 | RIGHT WEARPAD |
| 9 | 151341 | 1 | BALL STUD |
| 10 | 1323252 | 2 | SEAL |
| 11 | 1323241 | 2 | STIFFENER, SEAL |
| 12 | 122.006.012 | 3 | BOLT,HX,FL,CL10.9 M6X12 |
| 13 | 1318882 | 1 | FLEX FLOOR |
| 14 | 163.010.060 | 5 | BOLT,CARR,CL8.8 M10 |
| 15 | 143591 | 5 | SPRING, COMPRESSION |
| 16 | 191.010 | 5 | NUT,HX,NYL,CL10 M10 |
| 17 | 142.004.048 | 2 | PIN,COTTER 1/4 |
| 18 | 122.012.045 | 8 | BOLT,HX,FL,CL10.9 M12X45 |

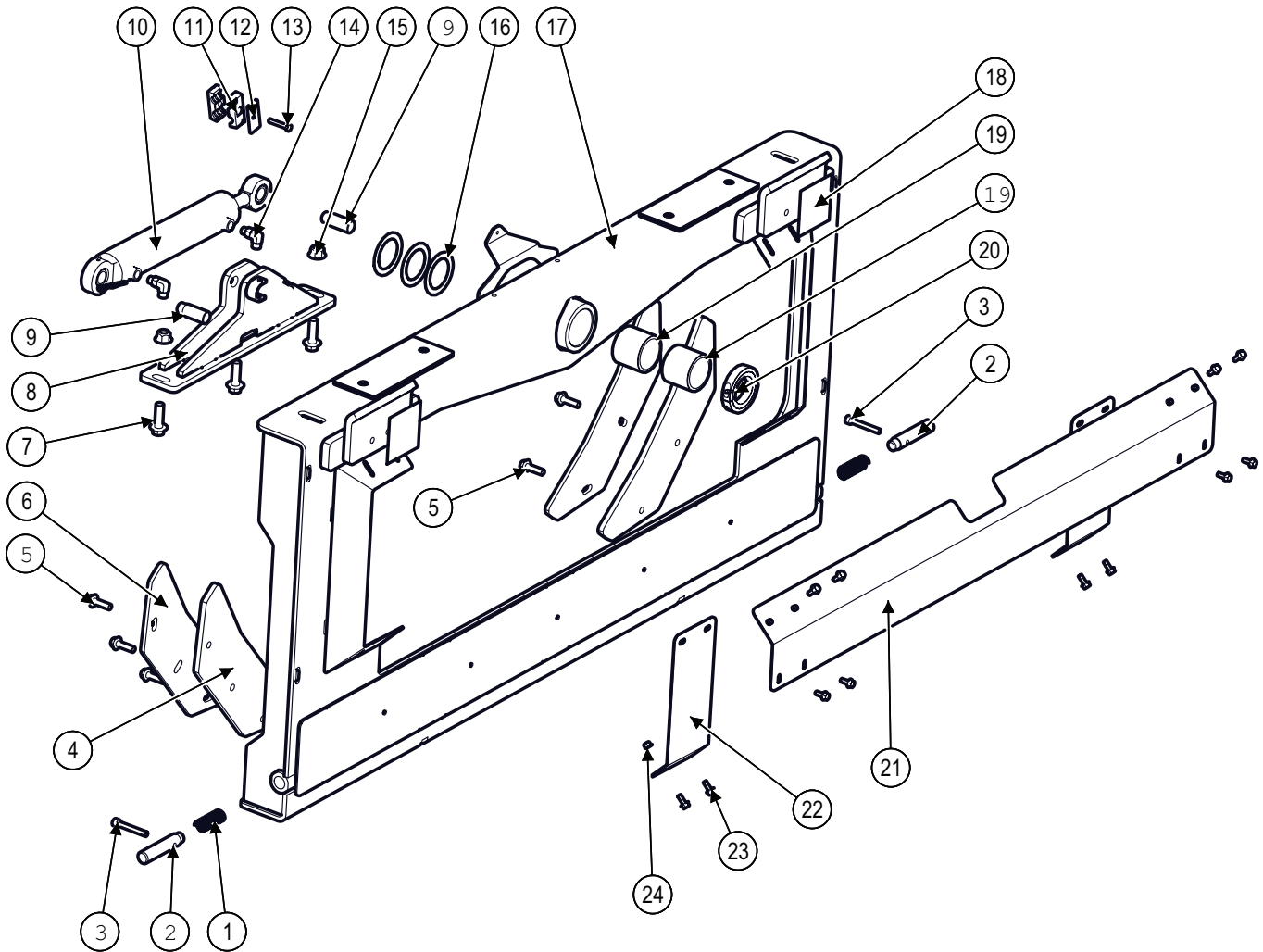
TRANSITION HEADER ADAPTER - NON HYDRAULIC FORE/AFT



Model JS9020 Hillco Leveling System
For Serial Numbers JS9020-21001 thru JS9020-21999

| Transition Header Adapter | | | |
|----------------------------------|-----------------|------------|---------------------------------|
| BOM ID | Part No. | Qty | Description |
| 1 | 135531 | 2 | SPRING, COMPRESSION |
| 2 | 1229193 | 2 | LOCKOUT PIN |
| 3 | 195.010.070 | 2 | SCREW,SHC,CL10.9 M10X70 |
| 4 | 1250551 | 2 | BACKING WEARPAD |
| 5 | 1250541 | 2 | BACKING PLATE |
| 6 | 122.012.040 | 6 | BOLT,HX,FL,CL10.9 M12X40 |
| 7 | 122.016.050 | 3 | BOLT,HX,FL,CL10.9,M16X50 |
| 8 | 1253884 | 2 | CYLINDER PIN |
| 9 | 122.012.025 | 2 | BOLT,HX,FL,CL10.9 M12X25 |
| 10 | 138582 | 1 | CYLINDER 2-1/2 X 10 |
| 11 | 1007.06 | 2 | STR,THD,RUN-06 |
| 12 | 139431 | 2 | CLAMP, 3/4" TWIN BEHRINGER PAIR |
| 13 | 139451 | 1 | COVER PLATE,TWIN |
| 15 | 1250713 | 1 | SLAVE CYL ROD MOUNT |
| 16 | 128.016 | 2 | NUT,HX,FL,STV,CL10 M16 |
| 17 | 1241721 | 2 | TM, GRAPHITE MICARTA |
| 18 | 1320921 | 1 | HEADER ADAPTER |
| 19 | 162.014.040 | 3 | BUSHING,MACH,NR |
| 20 | 150742 | 1 | COLLAR, CLAMPING |
| 21 | 1250522 | 1 | TOP SHIELD |
| 22 | 1250534 | 2 | SIDE SHIELD |
| 23 | 122.008.020 | 12 | BOLT,HX,FL,CL10.9 M8X20 |
| 24 | 128.008 | 12 | NUT,HX,FL,STV,CL10 M8 |

TRANSITION HEADER ADAPTER - HYDRAULIC FORE/AFT



Model JS9020 Hillco Leveling System
For Serial Numbers JS9020-21001 thru JS9020-21999

| Transition Header Adapter - Hydraulic Fore/Aft | | | |
|---|-----------------|------------|--|
| BOM ID | Part No. | Qty | Description |
| 1 | 135531 | 2 | SPRING, COMPRESSION |
| 2 | 1229193 | 2 | LOCKOUT PIN |
| 3 | 195.010.070 | 2 | SCREW,SHC,CL10.9 M10X70 |
| 4 | 1250551 | 2 | BACKING WEARPAD |
| 5 | 122.012.040 | 6 | BOLT,HX,FL,CL10.9 M12X40 |
| 6 | 1250541 | 2 | BACKING PLATE |
| 7 | 122.016.050 | 3 | BOLT,HX,FL,CL10.9,M16X50 |
| 8 | 1320941 | 1 | CYLINDER MOUNT, |
| 9 | 1320891 | 2 | PIN, 1" X 2-1/2 |
| 10 | 138582 | 1 | CYLINDER 2-1/2 X 10 |
| 11 | 139431 | 1 | CLAMP, 3/4" TWIN BEHRINGER PAIR |
| 12 | 139451 | 1 | COVER PLATE,TWIN |
| 13 | 170.008.045 | 1 | BOLT,HX,CL8.8 M8X45 |
| 14 | 1003.06.06 | 2 | -6MORB X -6MORFS |
| 15 | 128.016 | 2 | NUT,HX,FL,STV,CL10 M16 |
| 16 | 162.014.040 | 3 | BUSHING,MACH,NR |
| 17 | 1320921 | 1 | HEADER ADAPTER |
| 18 | 100784 | 2 | LABEL, PINCH POINT |
| 19 | 1241721 | 2 | TM, GRAPHITE MICARTA |
| 20 | 150742 | 1 | COLLAR,CLAMPING,2-1/2 ID 3-3/4 OD, 2 PIECE HEAVY |
| 21 | 1250522 | 1 | TOP SHIELD |
| 22 | 1250534 | 2 | SIDE SHIELD |
| 23 | 122.008.020 | 12 | BOLT,HX,FL,CL10.9 M8X20 |
| 24 | 128.008 | 12 | NUT,HX,FL,STV,CL10 M8 |

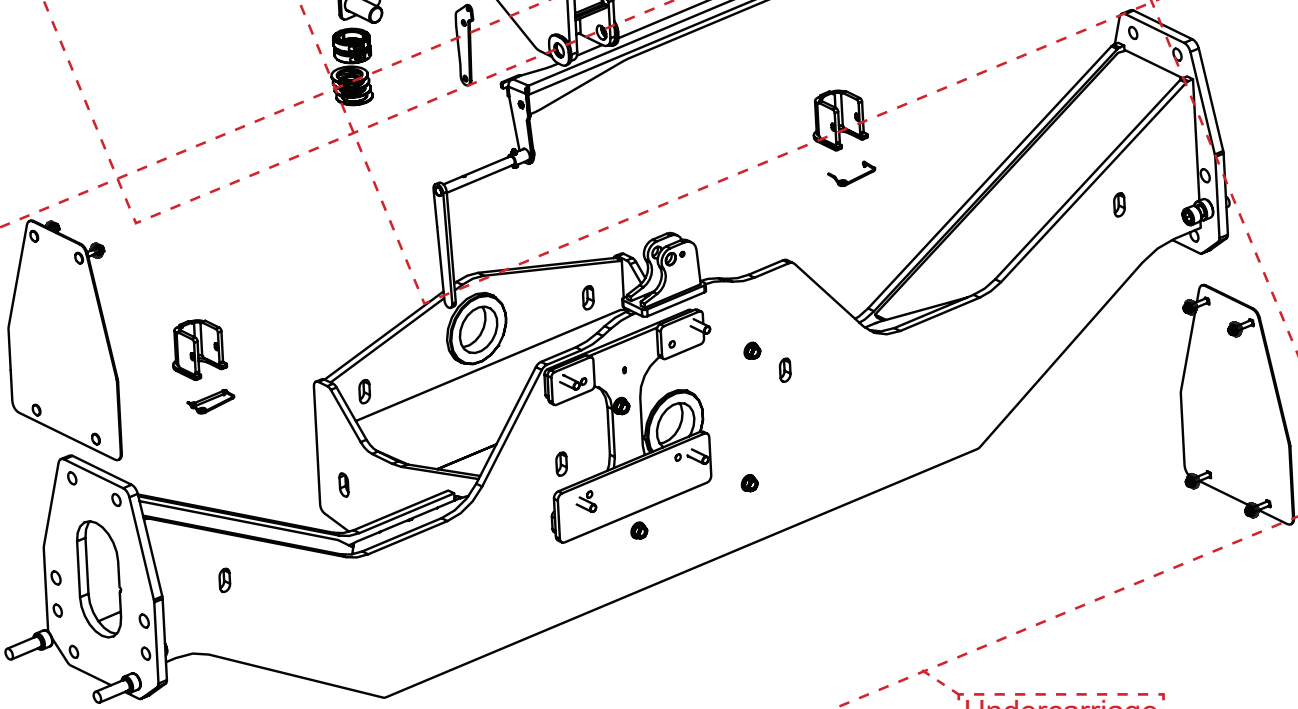
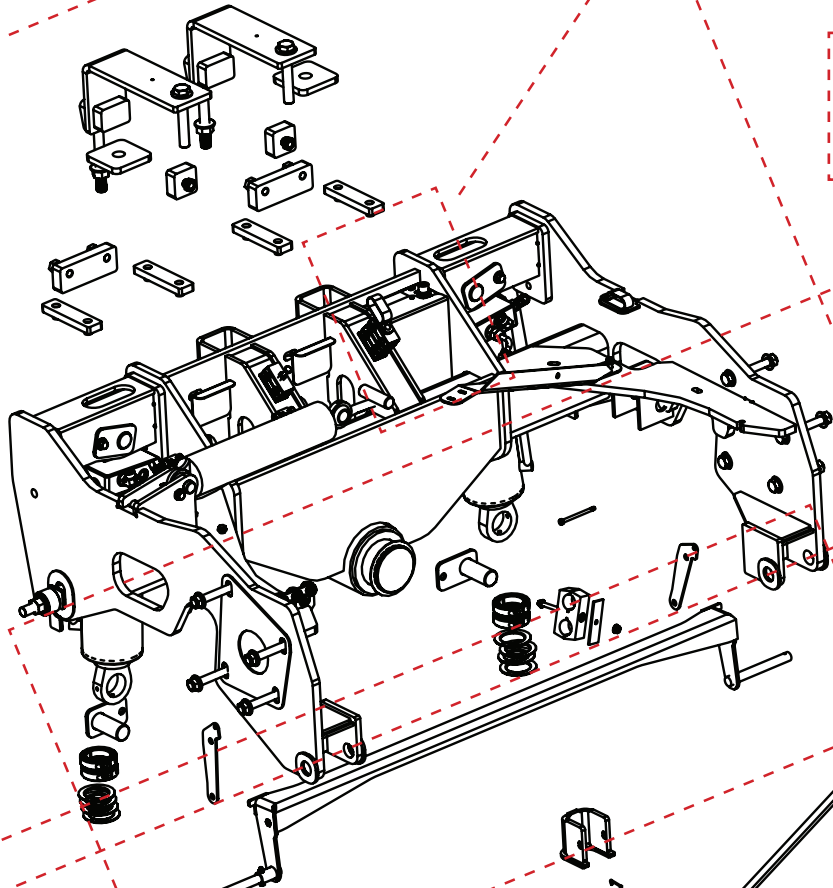
Model JS9020 Hillco Leveling System
For Serial Numbers JS9020-21001 thru JS9020-21999

Carriage

Overcarriage
Page 17

Carriage
Position Sensor
Page 22

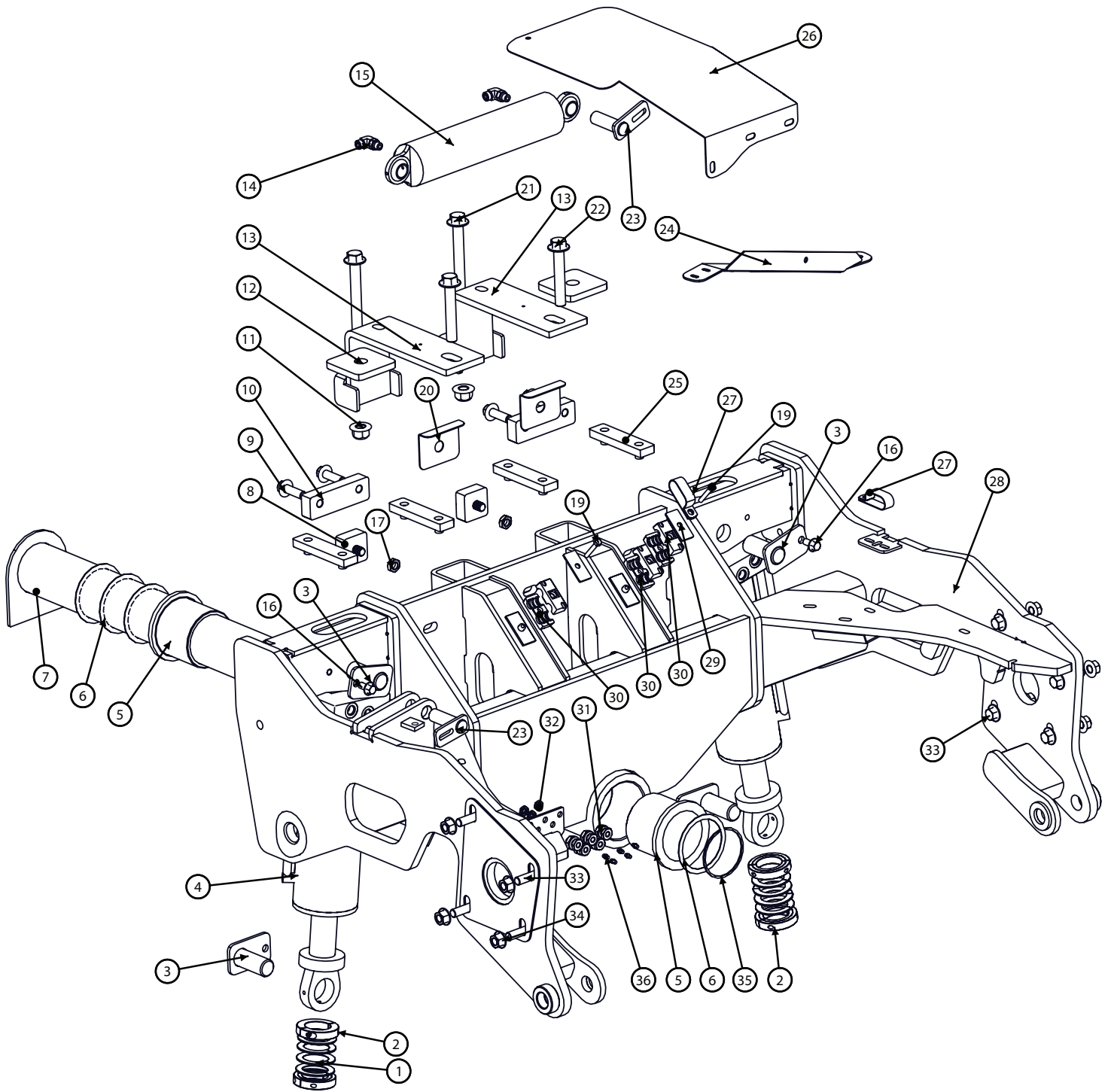
Misc.
Carriage
Parts
Page 21



Undercarriage
Page 19

Model JS9020 Hillco Leveling System
For Serial Numbers JS9020-21001 thru JS9020-21999

Overcarriage

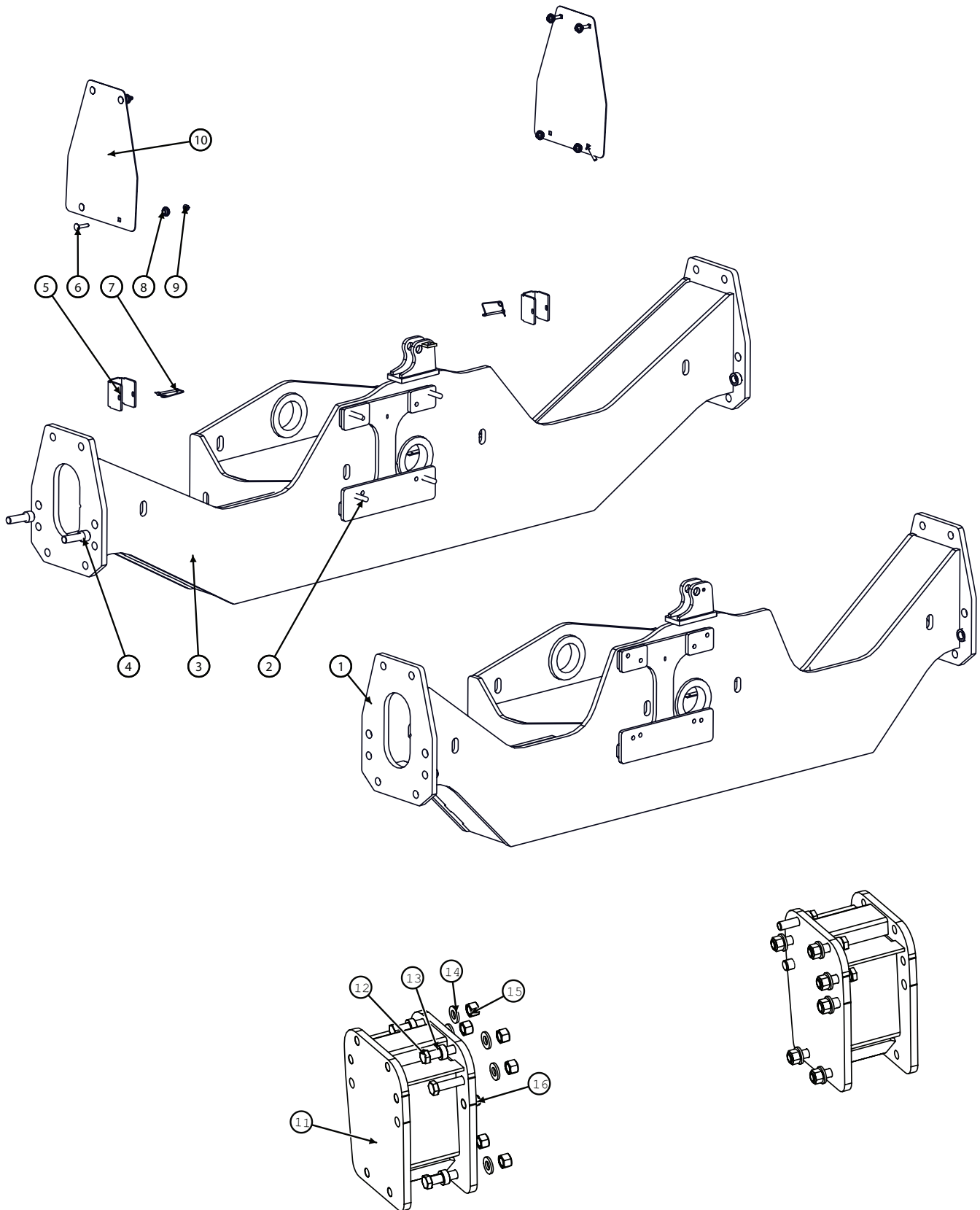


Model JS9020 Hillco Leveling System
For Serial Numbers JS9020-21001 thru JS9020-21999

| Overcarriage | | | |
|--------------|-------------|-----|--------------------------------|
| BOM ID | Part No. | Qty | Description |
| 1 | 137501 | 8 | WASHER, QUICK REPAIR |
| 2 | 153241 | 4 | COLLAR, CLAMPING |
| 3 | 1230552 | 4 | PIN, MAIN CYLINDER |
| 4 | 155860 | 2 | CYLINDER,LEVELING,DUAL CB |
| 5 | 1247961 | 2 | PIVOT BUSHING |
| 6 | 138641 | 4 | 4.016ID X 4.7640D X 048 |
| 7 | 1291351 | 1 | PIVOT PIN |
| 8 | 1296581 | 2 | UPPER CARRIAGE SHIM |
| 9 | 122.016.035 | 4 | BOLT,HX,FL,CL10.9,M16X35 |
| 10 | 1291731 | 2 | CARRIAGE LOCK (9010) |
| 11 | 128.020 | 2 | NUT,HX,FL,STV,CL10 M20 |
| 12 | 1297901 | 2 | SPACER, TUBE CLAMP |
| 13 | 1293631 | 2 | AXLE CLAMP |
| 14 | 1006.06.06 | 2 | -6FORFS X -6MORFS, 90 |
| 15 | 140342 | 1 | CYLINDER, CROSS PORT |
| 16 | 122.012.025 | 2 | BOLT,HX,FL,CL10.9 M12X25 |
| 17 | 165.016 | 2 | NUT,HX,JAM,CL8 M16 |
| 18 | 139471 | 1 | STACK BOLT, BEHRINGER |
| 19 | 101.005.08 | 2 | BOLT,HX,GR5 5/16 -18 X 1 3/4 |
| 20 | 1270042 | 2 | CARRIAGE SHIM |
| 21 | 122.020.220 | 2 | BOLT,HX,FL,CL10.9 M20 |
| 22 | 122.020.120 | 2 | BOLT,HX,FL,CL10.9 M20 |
| 23 | 1345961 | 2 | CYLINDER PIN, TRIM |
| 24 | 1274902 | 1 | SUPPORT, HYDRO HOSE |
| 25 | 1293561 | 4 | LOWER CARRIAGE SHIM |
| 26 | 1274252 | 1 | TABLE, HYDRO HOSE |
| 27 | 147781 | 2 | CLAMP 1/4" DOUBLE LOOP 3/8HOLE |
| 28 | 1291335 | 1 | OVERCARRIAGE |
| 29 | 139231 | 2 | COVER PLATE,TWIN |
| 30 | 139481 | 3 | CLAMP, TWIN, BEHRINGER -.620 |
| 31 | 155157 | 5 | BULKHEAD,GREASE,STR, |
| 32 | 155158 | 5 | BULKHEAD,LOCKNUT |
| 33 | 122.016.120 | 8 | BOLT, HX, FL, CL10.9, M16X120 |
| 34 | 123.016 | 8 | NUT,HX,FL,CL10 M16 |
| 35 | 138651 | 1 | SNAP RING; 4" |
| 36 | 138011 | 5 | ZERK,STR, 1/4-28MTAPER |

Model JS9020 Hillco Leveling System
For Serial Numbers JS9020-21001 thru JS9020-21999

Undercarriage

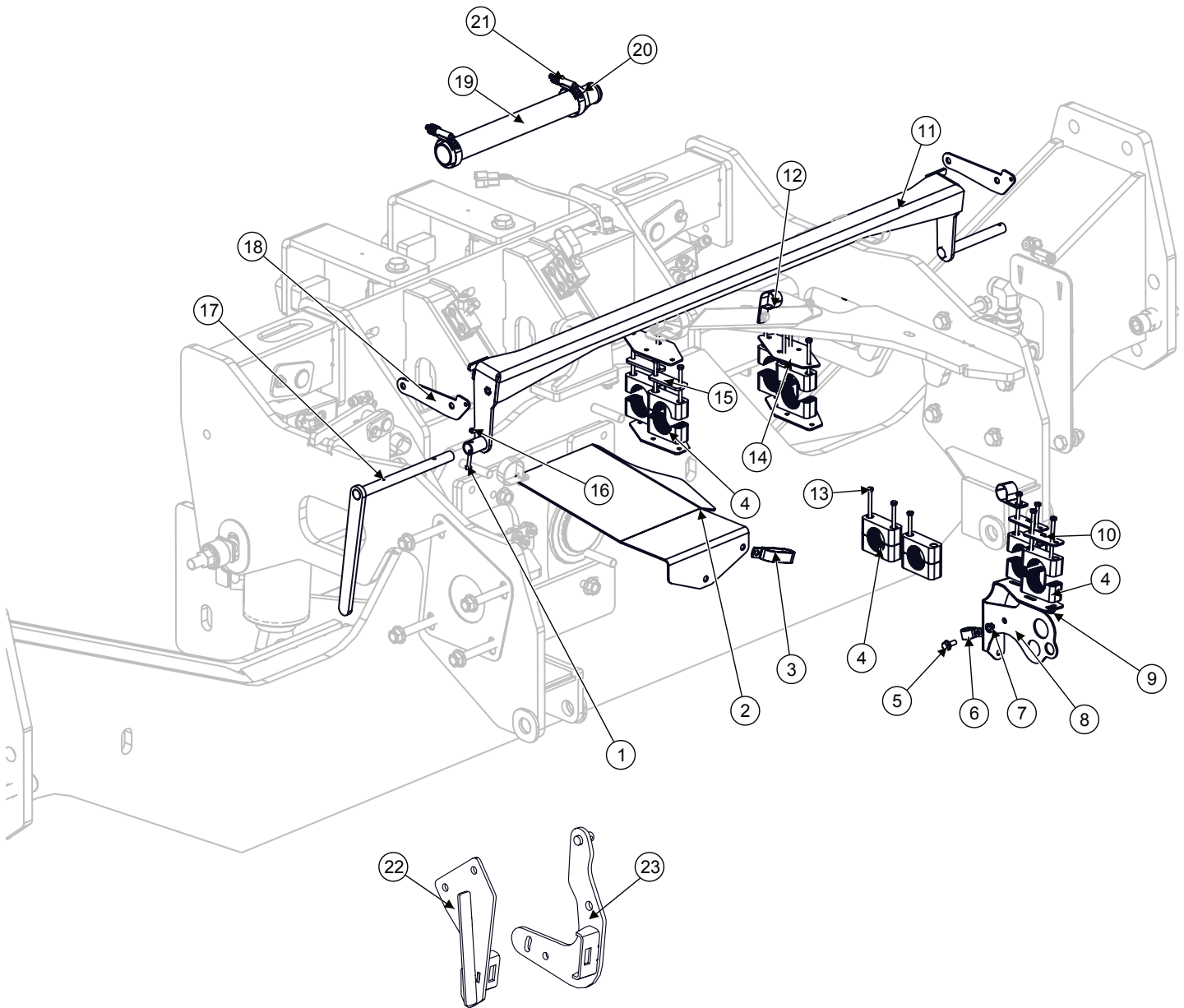


Model JS9020 Hillco Leveling System
For Serial Numbers JS9020-21001 thru JS9020-21999

| Undercarriage | | | |
|----------------------|-----------------|------------|--------------------------------------|
| BOM ID | Part No. | Qty | Description |
| 1 | 1292921 | 1 | UNDERCARRIAGE, NARROW, 96.25", |
| 2 | 155.016.075 | 4 | STUD, DOUBLE-10.9 |
| 3 | 1290812 | 1 | UNDERCARRIAGE, WIDE, 114.75" |
| 4 | 159.024.080 | 2 | SCREW,SHC,CL12.9 M24 |
| 5 | 1307161 | 2 | CYLINDER STOP |
| 6 | 163.010.050 | 7 | BOLT,CARR,CL8.8 M10 |
| 7 | 146.004.048 | 2 | PIN,SNAP,LCK |
| 8 | 151021 | 8 | BUSHING, PLASTIC |
| 9 | 123.01 | 8 | NUT,HX,FL,CL10 M10 |
| 10 | 1293831 | 2 | CAP, AXLE |
| 11-15 | 12533141 | 1 | NARROW UNDERCARRIAGE AXLE EXTENSIONS |
| 11 | 1253132 | 2 | LM WLD, 9.25 AXLE EXTENSION |
| 12 | 121.024.100 | 12 | M24 X 3 X 110 HEX CAP |
| 13 | LM-266382 | 8 | CU TM, SPACER-FINAL DRIVE |
| 14 | 141121 | 12 | FW M25.4 X 50.0 X 6.0 |
| 15 | 126.024 | 12 | STOVER NUT 24MX3 |

Model JS9020 Hillco Leveling System
For Serial Numbers JS9020-21001 thru JS9020-21999

Carriage Misc. Parts

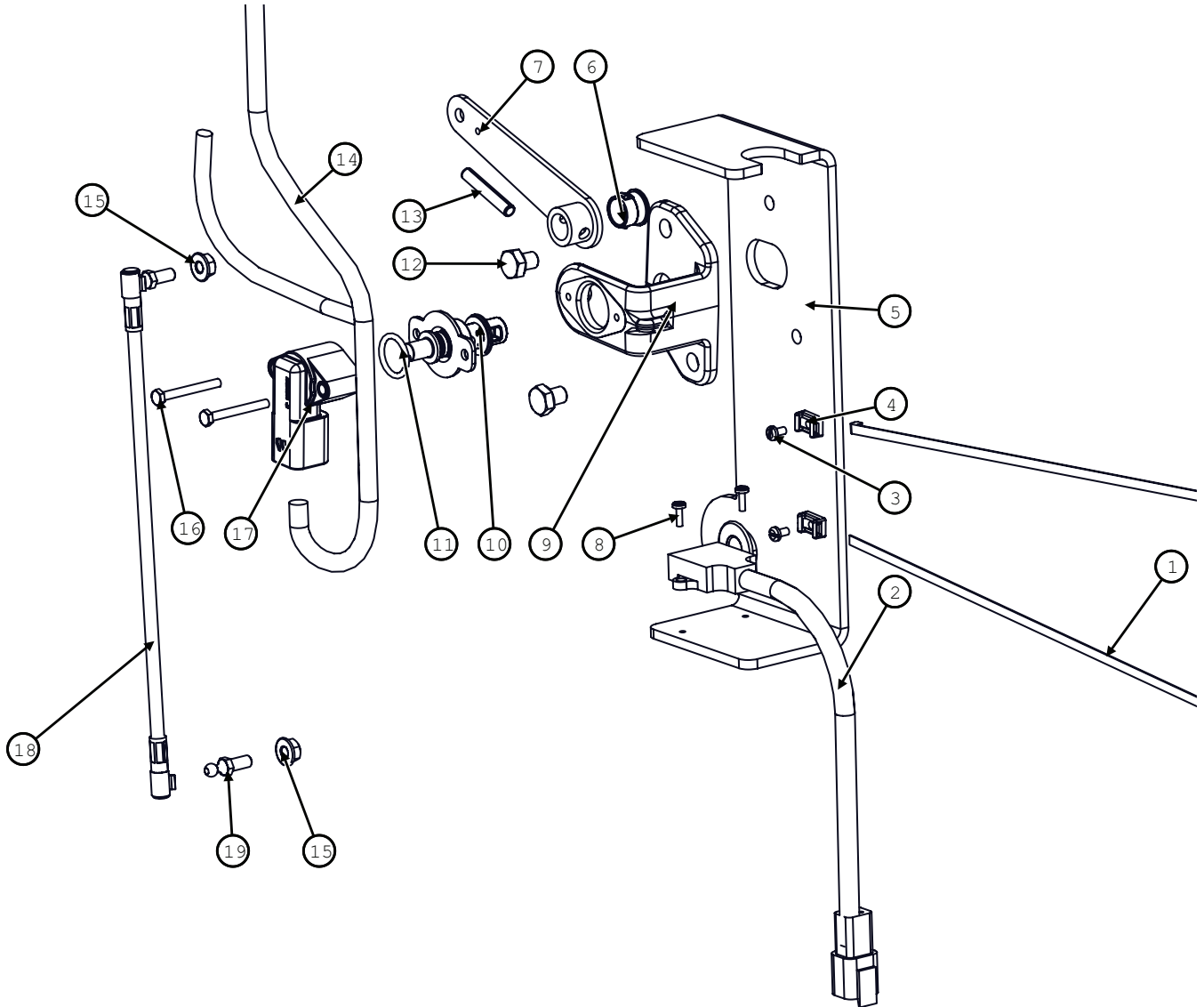


Model JS9020 Hillco Leveling System
For Serial Numbers JS9020-21001 thru JS9020-21999

| Overcarriage Misc. | | | |
|--|-----------------|------------|--|
| BOM ID | Part No. | Qty | Description |
| 1 | 121.006.035 | 1 | HC-10.9 M6x1.0X35 |
| 2 | 1274252 | 1 | HM PLT, TABLE HYDRO HOSE |
| 3 | 1151781 | 1 | CLAMP, P-STYLE (JD#AH77884) |
| 4 | 155171 | 8 | CLAMP, 1.75" BEHRINGER STD |
| 5 | 122.008.025 | 1 | FLHC-10.9M8X1.25X20 |
| 6 | 135791 | 1 | CLAMP, HOSE 7/8 R/C W 3/8HOLE (JD#AH78237) |
| 7 | 123.008 | 1 | FLHN-10.9M8X1.25 |
| 8 | 1297312 | 1 | LM WLD, HYDRO HOSE SUPPORT |
| 9 | 123.006 | 4 | FLHN-10.9 M6 |
| 10 | 140651 | 2 | BEHRINGER STD COVER PLATE |
| 11 | 1264512 | 1 | LM ASM, LINKAGE, ROCK TRAP |
| 12 | 143601 | 2 | CLAMP, HOSE 1-1/8" R/C W 3/8 |
| 13 | 170.006.090 | 15 | HC-8.8 M6 X 1.00 X 90 |
| 14 | 1274231 | 4 | HM PLT, HYDRO HOSE SUPPORT |
| 15 | 1276391 | 2 | HM CLAMP SPACER |
| 16 | 191.006 | 1 | HN-8.8M6X1.0 NYLOCK |
| 17 | 1264501 | 1 | LM ASM, HANDLE, ROCK TRAP |
| 18 | 1290742 | 2 | LM SHT, ROCK TRAP LINKAGE, UPPER |
| NS | 1348562 | 2 | STONE DOOR LINKAGE |
| 19 | 1276351 | 1 | HOSE, 1-1/2" BELLOWSFLEX HARDWALL 14" |
| 20 | 1063.24.24 | 1 | UNION, -24MB x -24MB |
| 21 | 152061 | 2 | CLAMP, HOSE, WORM GEAR, 1.5" TO 2.5" |
| HIGH MOISTURE KIT ROCK TRAP LINKAGE | | | |
| 22 | 1348311 | 2 | FEEDERHOUSE DOOR BRACKET |
| 23 | 1348341 | 2 | FEEDERHOUSE DOOR STANDOFF |

Model JS9020 Hillco Leveling System
For Serial Numbers JS9020-21001 thru JS9020-21999

Carriage Position Sensor

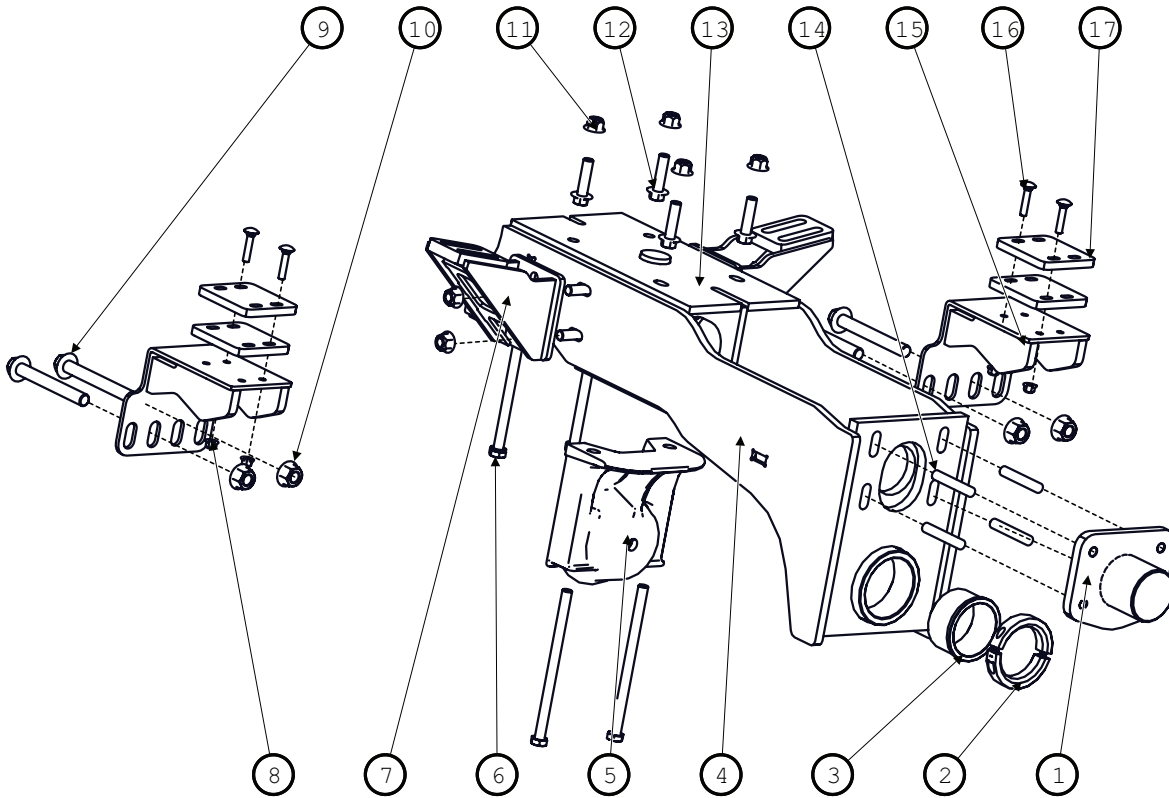


Model JS9020 Hillco Leveling System
For Serial Numbers JS9020-21001 thru JS9020-21999

| Carriage Position Sensor | | | |
|---------------------------------|------------------------|------------|--|
| BOM ID | Hillco Part No. | Qty | Description |
| 1 | 141341 | 2 | WIRE TIE 3/16"x15" |
| 2 | 1347142 | 1 | CLINOMETER |
| 3 | 115.#06 | 2 | SCREW,PHM,SH 6-32X1/4 |
| 4 | 153641 | 2 | CABLE TIE MOUNT, |
| 5 | 1347272 | 1 | SENSOR MNT |
| 6 | 151361 | 1 | BUSHING (JD#R41076) |
| 7 | 151371 | 1 | ARM, ASSY, TILT SENSOR, HM (AXE17303) |
| 8 | 114.#06 | 2 | PAN HEAD SCREW 6-32X3/8 |
| 9 | 151321 | 1 | BRACKET, SENSOR MNT (HXE16001) |
| 10 | 151401 | 1 | SHAFT, ROUGH SERVICE DEVICE (AXE14888) |
| 11 | 151391 | 1 | O-RING, 11/16ID (P48347) |
| 12 | 178.008.010 | 2 | BOLT M8X10 |
| 13 | 201.006.036 | 1 | PIN, ROLL 6mm x 36mm |
| 14 | 1347161 | 1 | SENSOR PACKAGE HARNESS |
| 15 | 123.006 | 2 | M6 X 1.0 |
| 16 | 170.004.035 | 2 | BOLT M4X35 |
| 17 | 151381 | 1 | SENSOR, ROTATION, HALL 2CH +/-120DE (AXE14246) |
| 18 | 151331 | 1 | LINKAGE, POSITION (AH226146) |
| 19 | 151341 | 1 | BALL STUD (H168732) |

Model JS9020 Hillco Leveling System
 For Serial Numbers JS9020-21001 thru JS9020-21999

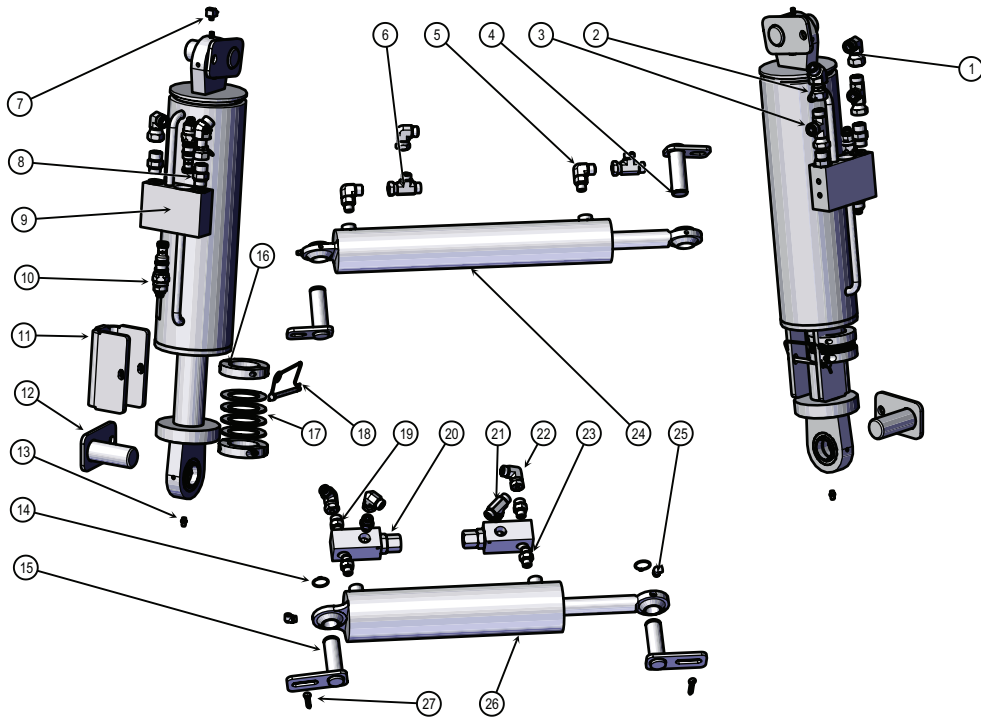
DROP AXLE



| Drop Axle | | | |
|-----------|-------------|-----|--------------------------------|
| BOM ID | Part No. | Qty | Description |
| 1 | 1291071 | 1 | PIVOT PIN |
| 2 | 145491 | 1 | COLLAR, CLAMPING 3-1/2 X 4-3/4 |
| 3 | 1235092 | 1 | BUSHING, PIVOT |
| 4 | 1291022 | 1 | DROP AXLE |
| 5 | 152471 | 1 | STAND-OFF, REAR AXLE |
| 6 | 121.016.250 | 4 | M16X250 |
| 7 | 1313541 | 2 | WING |
| 8 | 128.010 | 4 | NUT,HX,FL,STV,CL10 M10 |
| 9 | 122.020.160 | 4 | M20x160 |
| 10 | 123.020 | 4 | NUT,HX,FL,CL10 M20 |
| 11 | 128.016 | 8 | NUT,HX,FL,STV,CL10 M16X2. |
| 12 | 122.016.060 | 4 | M16X60 |
| 13 | 122.016.050 | 4 | M16X50 |
| 14 | 155.016.090 | 4 | STUD,DBL-END,CL10.9 M16X90 |
| 15 | 1299792 | 2 | ROTATION STOP |
| 16 | 163.010.050 | 4 | M10x50 |
| 17 | 1299892 | 4 | ROTATION STOP 16° |

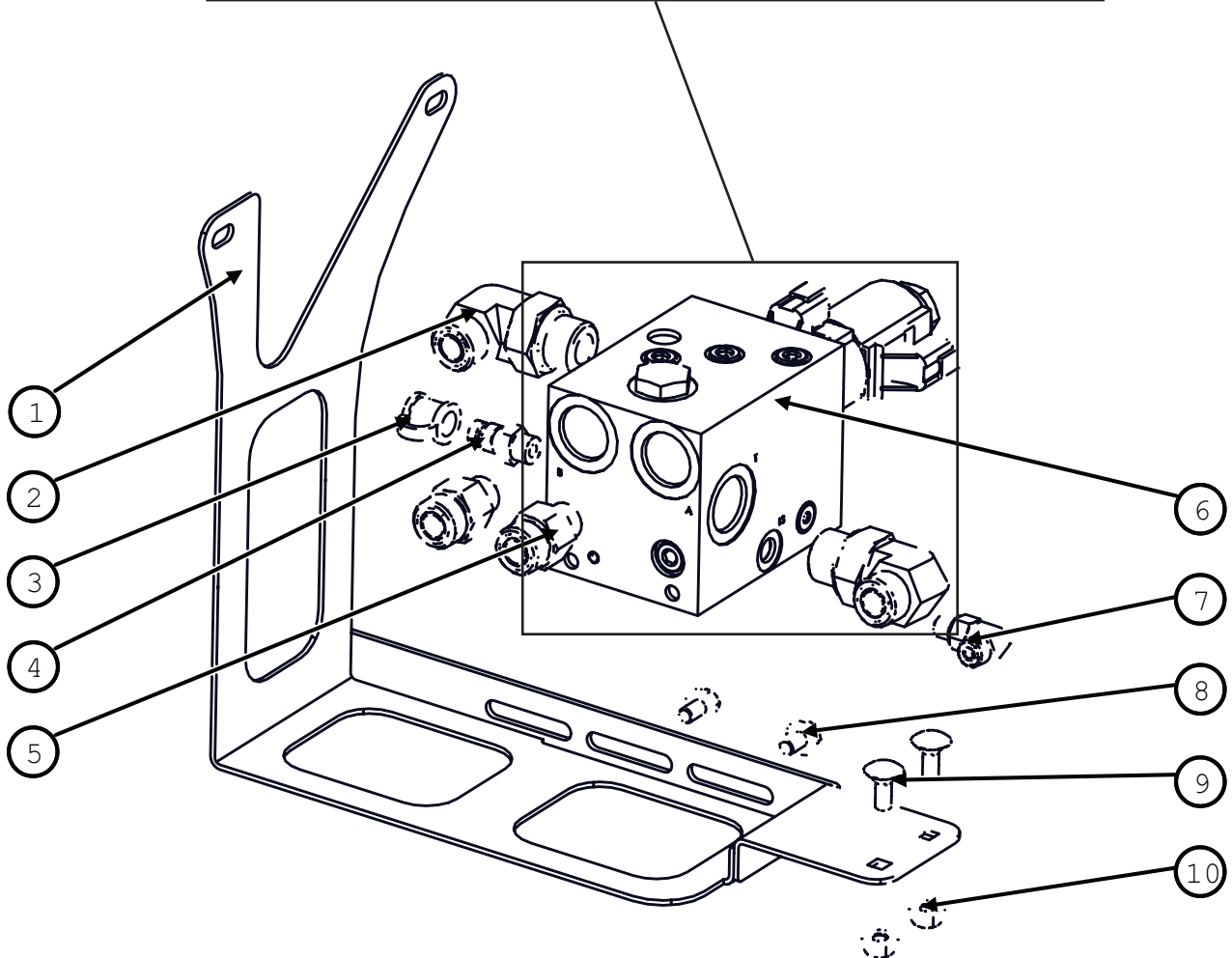
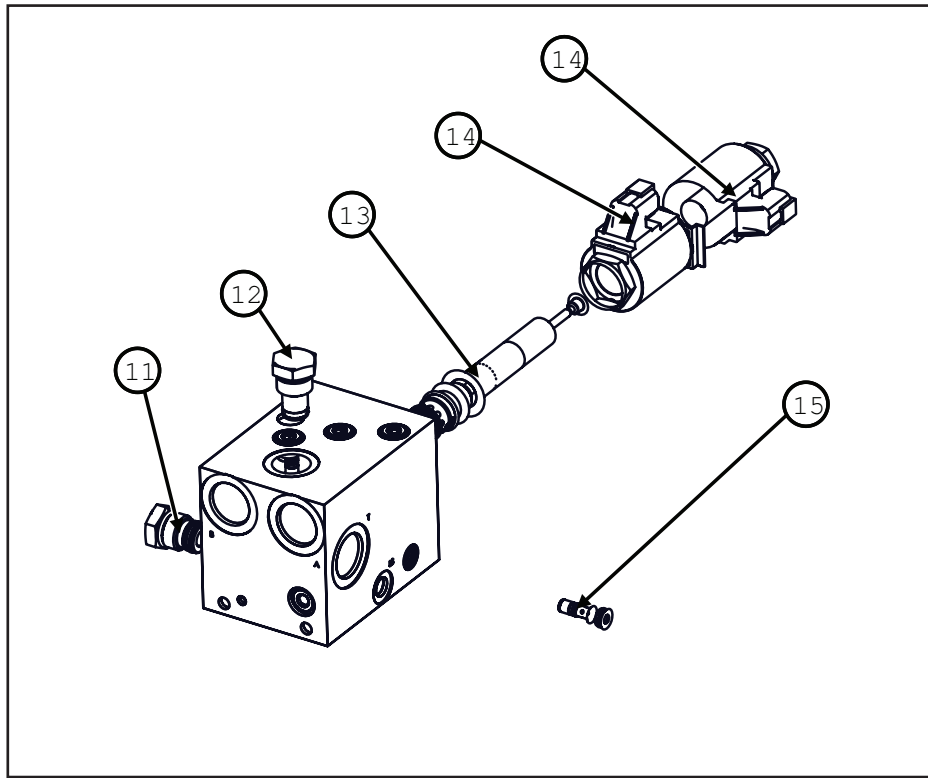
Model JS9020 Hillco Leveling System
For Serial Numbers JS9020-21001 thru JS9020-21999

Hydraulic Components



| Hydraulic Components | | | |
|----------------------|-------------|-----|--|
| BOM ID | Part No. | Qty | Description |
| 1 | 1006.08.08 | 2 | HA, 90° -8FORFS X -8MORFS |
| 2 | 1005.08.08 | 2 | -6FORFS X -6MORFS |
| 3 | 1008.08 | 2 | SWV,NUT,RUN -8ORFS |
| 4 | 1253884 | 2 | CYLINDER PIN, |
| 5 | 1003.06.06 | 2 | -6MORB X -6MORFS |
| 6 | 1008.06 | 2 | SWIVEL NUT, RUN, -6ORFS |
| 7 | 135761 | 2 | 1/4-28 MALE X 1/8 FPT 45 DEG |
| 8 | 1001.08.08 | 4 | HA,STR -8MORB X -8MORFS |
| 9 | 155860 | 2 | 4-1/2 BORE, 11" STROKE, 22.5" CPC |
| 10 | 155593 | 4 | COUNTERBALANCE VALVE T11 CAVITY, 5K PSI |
| 11 | 1293721 | 2 | CYLINDER STOP |
| 12 | 1230552 | 4 | PIN, MAIN CYLINDER |
| 13 | 138011 | 2 | 1/4-28MTAPER |
| 14 | 148 | 2 | EXT 1" |
| 15 | 1345961 | 2 | CYLINDER PIN, |
| 16 | 153241 | 4 | 2"IDx3"OD |
| 17 | 137501 | 8 | 3"ODx2"IDx1/8T |
| 18 | 146.004.048 | 2 | PIN,SNAP,LCK 1/4X3 |
| 19 | 1001.06.06 | 3 | -6MORBx-6MORFS |
| 20 | 155770 | 2 | RELIEF VALVE ASM |
| 21 | 1009.06 | 1 | STR THD, BRANCH, |
| 22 | 1006.06.06 | 4 | COUNTERBALANCE VALVE -6FORFS x -6MORFS |
| 23 | 1027.06.06 | 2 | -6MORBx-6MORB |
| 24 | 147491 | 1 | CYLINDER, SLAVE, 21" CPC 12-1/2" STROKE, 2-1/2" BORE |
| 25 | 135771 | 2 | ADAPTER,GREASE,90° |
| 26 | 140342 | 1 | CYLINDER,MASTER 3"B,8-3/4"S,1-3/8"R,17-1/4CPC |
| 27 | 142.004.016 | 2 | PIN, COTTER 1/4" X 1" |

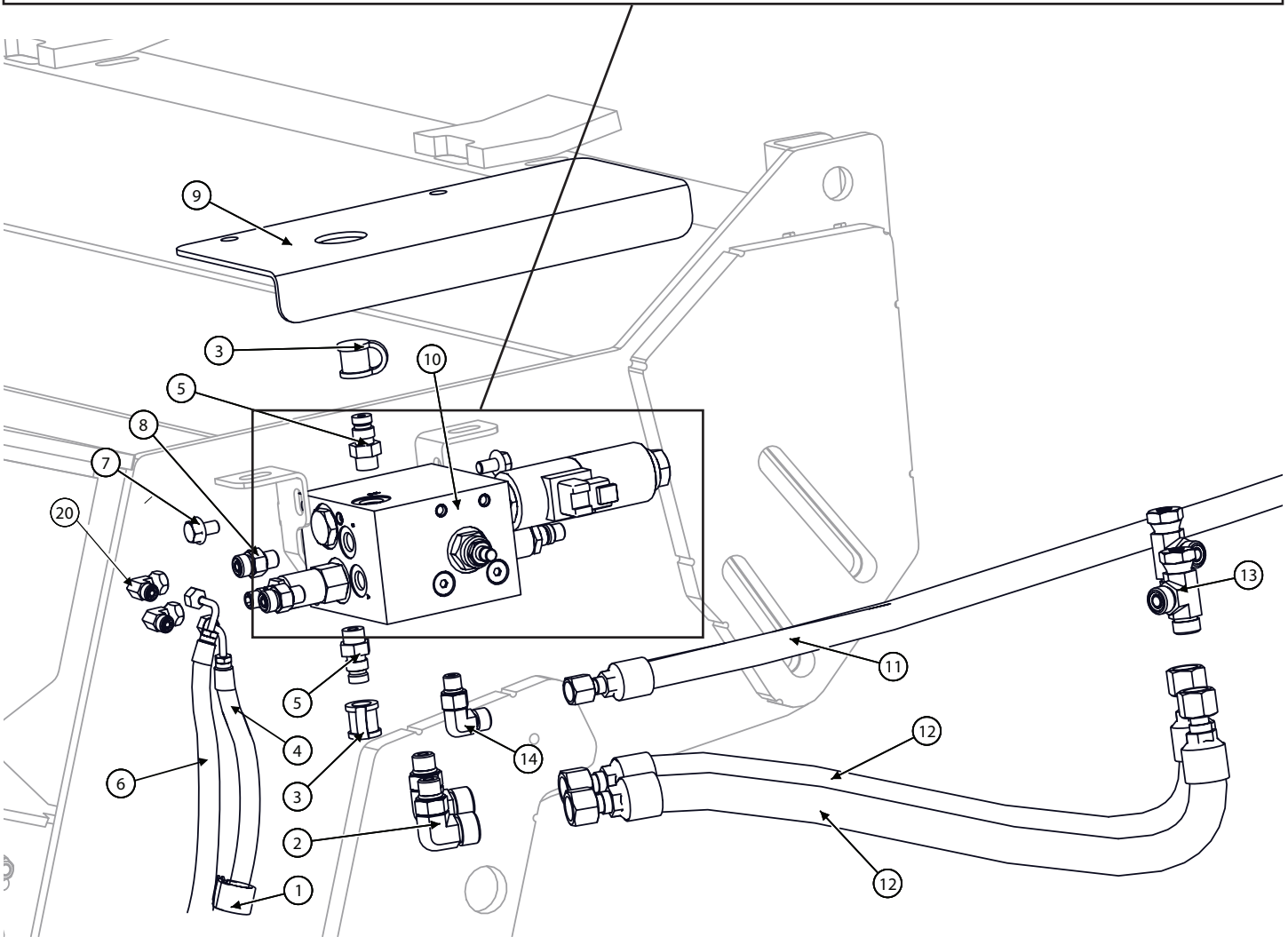
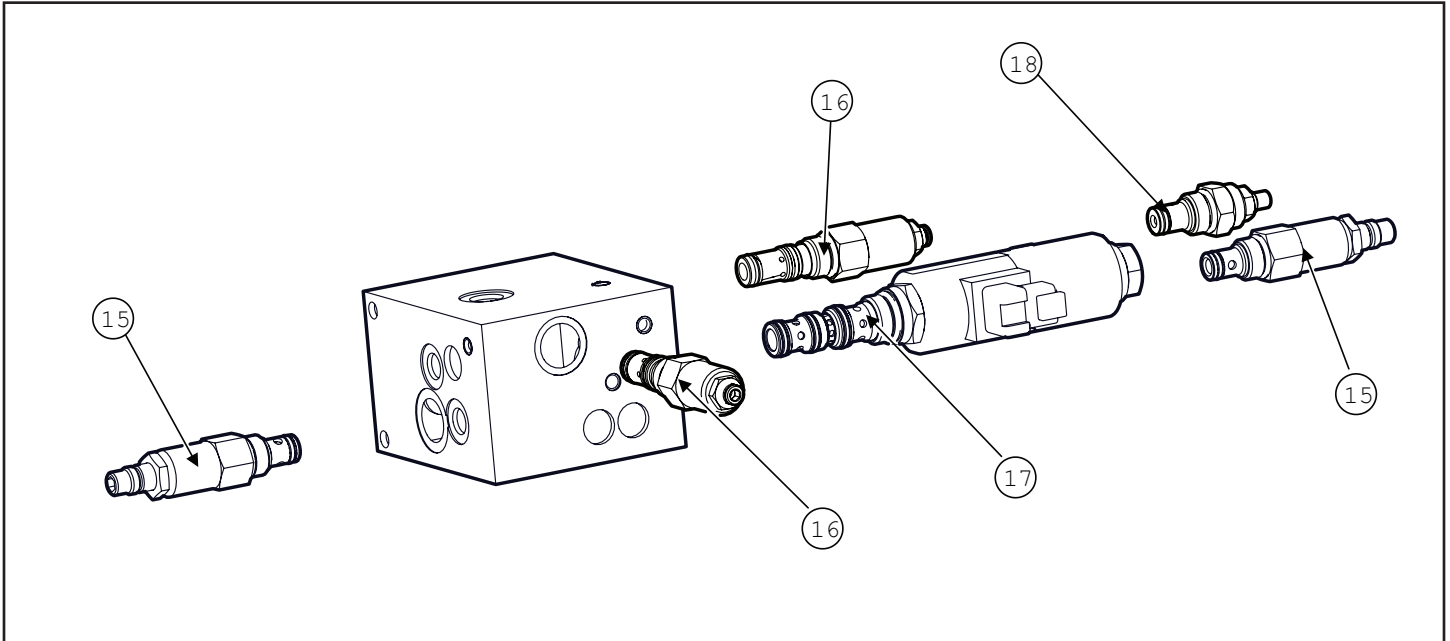
Leveling Manifold



Model JS9020 Hillco Leveling System
For Serial Numbers JS9020-21001 thru JS9020-21999

| Leveling Manifold | | | |
|-------------------|-------------|-----|--|
| BOM ID | Part No. | Qty | Description |
| 1 | 1313601 | 1 | MANIFOLD MOUNT |
| 2 | 1003.12.10 | 2 | HA,90°, -12MORB X -10MORFS |
| 3 | 144001 | 1 | DUST COVER |
| 4 | 143991 | 1 | COUPLER, |
| 5 | 1001.12.10 | 2 | -12MORB X -10MORFS |
| 6 | 1343021 | 1 | HIGH-FLOW (COMATROL P/N11191146) |
| 7 | 1003.04.04 | 1 | HA,90° |
| 8 | 111.005.008 | 2 | BOLT,HX,FL,GR5 5/16-18X1/2 |
| 9 | 163.008.020 | 2 | BOLT,CARR,CL8.8 M8X20 |
| 10 | 123.008 | 2 | M8x1.25 |
| 11 | 155234 | 1 | CAVITY PLUG, 3 WAY, 10 SERIES |
| 12 | 155238 | 1 | CAVITY PLUG, 2 WAY, 10 SERIES |
| 13 | 155855 | 1 | CARTRIDGE VALVE,3 POS,4 WAY, PROPORTIONAL, 16GPM |
| 14 | 155854 | 2 | SOLENOID COIL,M19,PROP,DEUTSCH |
| 15 | 155236 | 1 | CHECK VALVE, REVERSE DIRECTION |

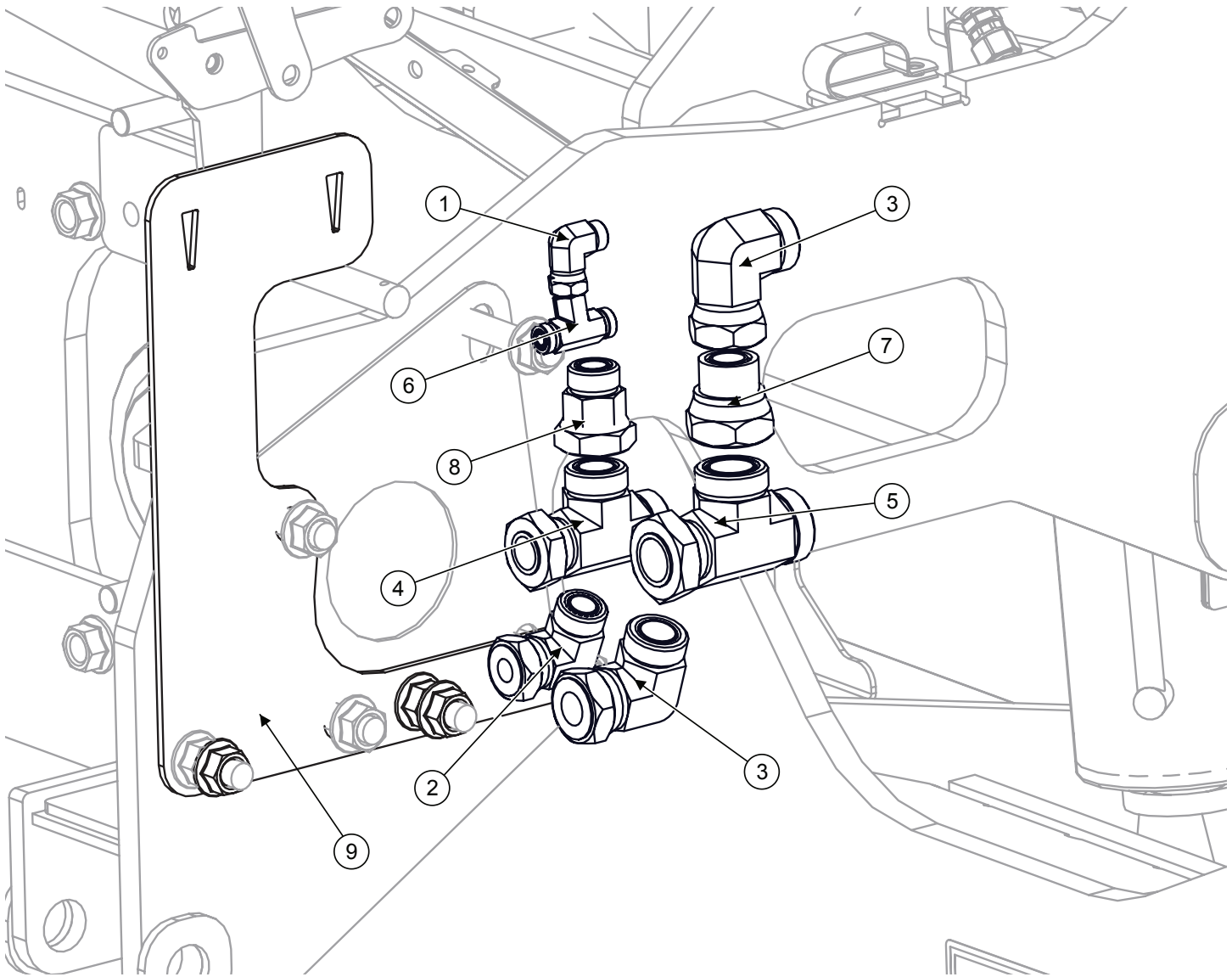
Header Trim Manifold
(Only on combines without factory Header Tilt.)



Model JS9020 Hillco Leveling System
For Serial Numbers JS9020-21001 thru JS9020-21999

| Header Trim Manifold | | | |
|-----------------------------|-----------------|------------|--|
| BOM ID | Part No. | Qty | Description |
| 1 | 135791 | 2 | CLAMP, HOSE |
| 2 | 1003.08.06 | 2 | -8MORB X -6MORFS |
| 3 | 144001 | 2 | DUST COVER |
| 4 | 1322112 | 1 | 100R17-04 67", |
| 5 | 143991 | 2 | COUPLER, |
| 6 | 1322101 | 1 | 100R17-04X80", |
| 7 | 111.005.008 | 2 | BOLT,HX,FL,GR5 5/16-18X1/2 |
| 8 | 1001.04.04 | 2 | HA,STR |
| 9 | 1316464 | 1 | SHIELD, TRIM SHIELD |
| 10 | 1331781 | 1 | MANIFOLD, CUSTOM, TRIM |
| 11 | 1320721 | 1 | 100R17AR-04X138", |
| 12 | 1320711 | 2 | 100R17AR-06X38", |
| 13 | 1008.06 | 2 | SWIVEL NUT, RUN, -6ORFS |
| 14 | 1003.04.04 | 1 | HA,90° |
| 15 | 155243 | 2 | CARTRIDGE, PRESSURE RELIEF, |
| 16 | 155742 | 2 | CARTRIDGE, COUNTERBALANCE CP08-3L CAVITY |
| 17 | 155249 | 1 | CARTRIDGE VALVE, 3 POS,4 WAY (INCLUDES 155248) |
| 18 | HC-145501 | 1 | VALVE, NEEDLE |
| 19 | 155248 | 2 | SOLENOID COIL, CARTRIDGE, PROP |
| 20 | 1006.04.04 | 2 | -4FORFS X -4MORFS 90° |

John Deere Header Lift Manifold Fittings



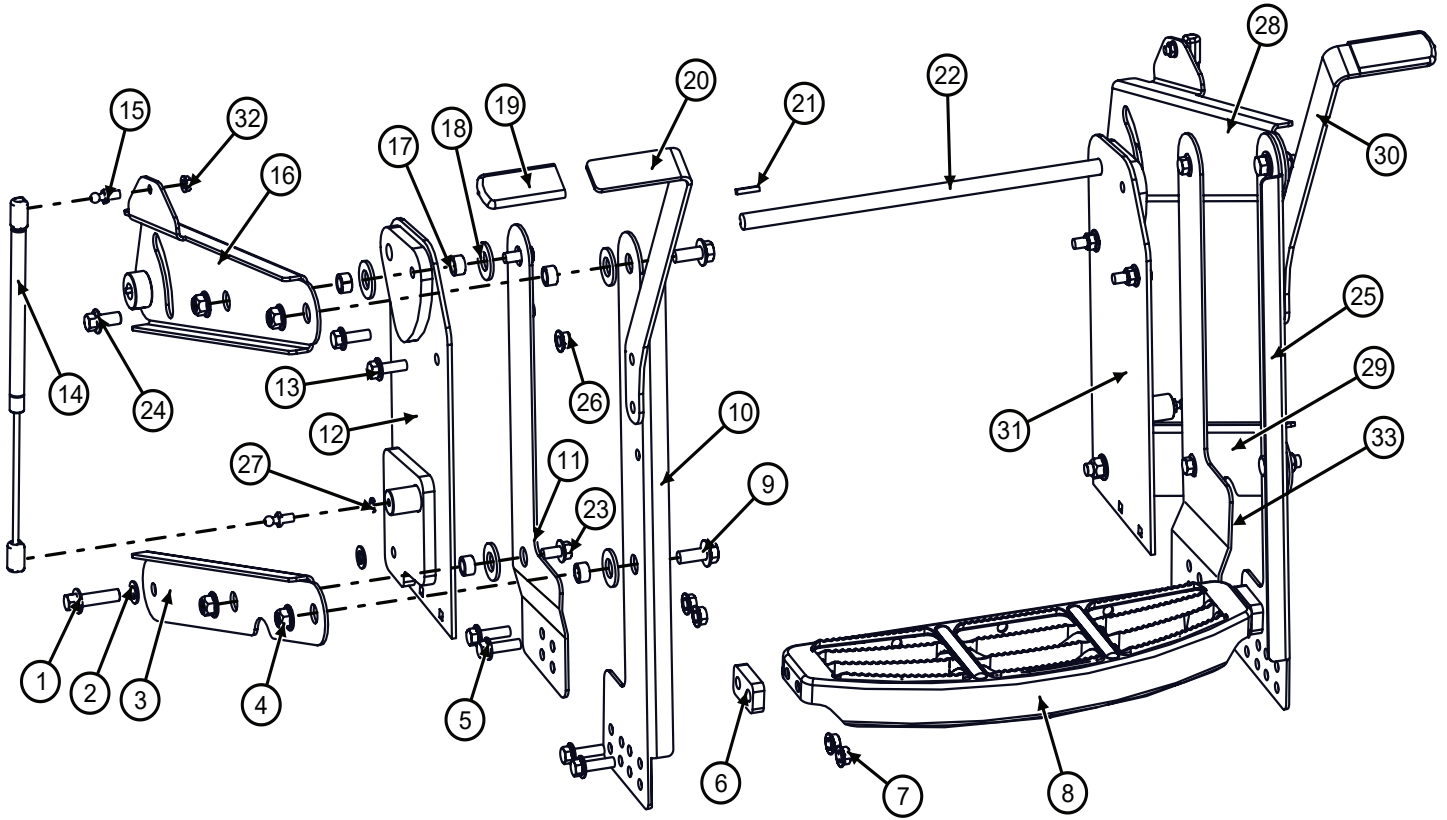
| John Deere Header Lift Manifold Fittings | | | |
|--|------------|-----|-----------------------------------|
| BOM ID | Part No. | Qty | Description |
| 1 | 1006.06.06 | 1 | ELBOW, 90°, -6FF x -6MF |
| 2 | 1006.12.12 | 1 | ELBOW, 90°, -12MF x -12FF |
| 3 | 1006.16.16 | 2 | ELBOW, 90°, -16MF x -16FF |
| 4 | 1008.16 | 1 | TEE, SWIVEL NUT, RUN, #16 |
| 5 | 1008.20 | 1 | TEE, SWIVEL NUT, RUN, #20 |
| 6 | 1008.06 | 1 | TEE, SWIVEL NUT, RUN, -6FF x -6MF |
| 7 | 1004.20.16 | 1 | STR, -20FF x -16MF |
| 8 | 1004.16.12 | 1 | STR, 16FF x 12MF |
| 9 | 1297821 | 1 | MANIFOLD SPACER |

Model JS9020 Hillco Leveling System
For Serial Numbers JS9020-21001 thru JS9020-21999

Hydraulic Hoses

| Hydraulic Hoses | | | |
|-----------------|-----|---|--------------------|
| Part No. | Qty | Where Used | Description |
| 1138942 | 1 | Grease Hose | 100R1-03, |
| 1138951 | 1 | Grease Hose | 100R1-03, 40" |
| 1138963 | 1 | Grease Hose | 100R1-03, 54" |
| 1138974 | 2 | Grease Hose | 100R1-03, 77" |
| 1152451 | 1 | CONNECTS YELLOW PORT TO SLAVE CYL BASE PORT ON STOCK CM EQUIPPED COMBINES | 100R17AR-04X80", |
| 1152461 | 1 | CONNECT C/M BLUE PORT TO ROD PORT ON STOCK CM EQUIPPED COMBINES | 100R17AR-04X70", |
| 1273461 | 2 | Extend Steer Hoses | 100R17AR-06X15", |
| 1273462 | 2 | Replaces AH223259; Connect Proportionator Case Drain to Transmission | 100R17AR-08X62", |
| 1274141 | 1 | Reverse Hydro Hose | 797TC-20 X 124", |
| 1293431 | 2 | Leveling Cylinder Cross Over | 100R17AR-06X47", |
| 1295602 | 2 | Leveling Manifold to Leveling Cyl | 100R17AR-10X103", |
| 1295882 | 1 | Connects Master Cyl to Slave Cyl | 451TC, 3/8" X 195" |
| 1297441 | 1 | Extends AH226085 to Proportionator Pump Supply | 100R17AR-12X66", |
| 1297452 | 1 | Replaces AH219243; Connects Rear Filter Port to Proportionator Motor Return | 100R17AR-10X127", |
| 1297481 | 1 | Extends AH226119 to the Trans Lube | 100R17AR-06X31", |
| 1297641 | 1 | Extends Right Brake Hose | 100R17AR-06X78", |
| 1297651 | 1 | Extends Left Brake Line; Extends Lube Line | 100R17AR-06X60", |
| 1297842 | 1 | Return, Manifold to Tee | 451TC, 3/4 X 60" |
| 1297852 | 1 | Pressure, Manifold to Tee | 451TC-5/8" X 66" |
| 1297863 | 1 | Load Sense, Manifold to Tee | 100R17AR-04X138", |
| 1297922 | 1 | Replaces JD Hose; Connects Manifold to Tee | 100R17AR-12X91", |
| 1297933 | 1 | Replaces Left Header Lift Pressure Hose | 451TC, 3/4" X 44", |
| 1298291 | 1 | Extends ProDrive Case Drain | 100R17AR-16X36", |
| 1298322 | 1 | Replaces Right Header Lift Pressure Hose | 451TC, 3/4"X42", |
| 1298331 | 1 | Replaces the Header Lift Pressure Hose | 451TC, 1"X 90", |
| 1299191 | 1 | Extends JH Hose to Shift Block | 100R17AR-04X15", |
| 1305181 | 1 | Replaces Forward Hydro Hose | 797TC-20 121", |
| 1320711 | 2 | CONNECT "P" & "T" PORTS OF TRIM MANIFOLD TO JD MANIFOLD | 100R17AR-06X38", |
| 1320721 | 1 | TRIM MANIFOLD LOAD SENSE TO JD HDR LIFT MANIFOLD | 100R17AR-04X138", |
| 1322101 | 1 | CONNECTS "B" PORT TO SLAVE CYLINDER BASE PORT | 100R17-04X80", |
| 1322112 | 1 | CONNECTS ROD PORT TO A PORT OF TRIM MANIFOLD | 100R17-04 67", |
| 1331391 | 1 | Connects Master Cyl to Slave Cyl | 451TC, 3/8" X 175" |
| 1336991 | 2 | CONNECT COUNTER BALANCE VALVE TO LEFT LEVELING CYLINDER | 100R17-AR06 X 13", |
| 1348501 | 1 | EXTENDS PROPORTIONATOR MOTOR SUPPLY HOSE | 100R17AR-08X60", |

DOUBLE STEP RETRACTABLE LADDER



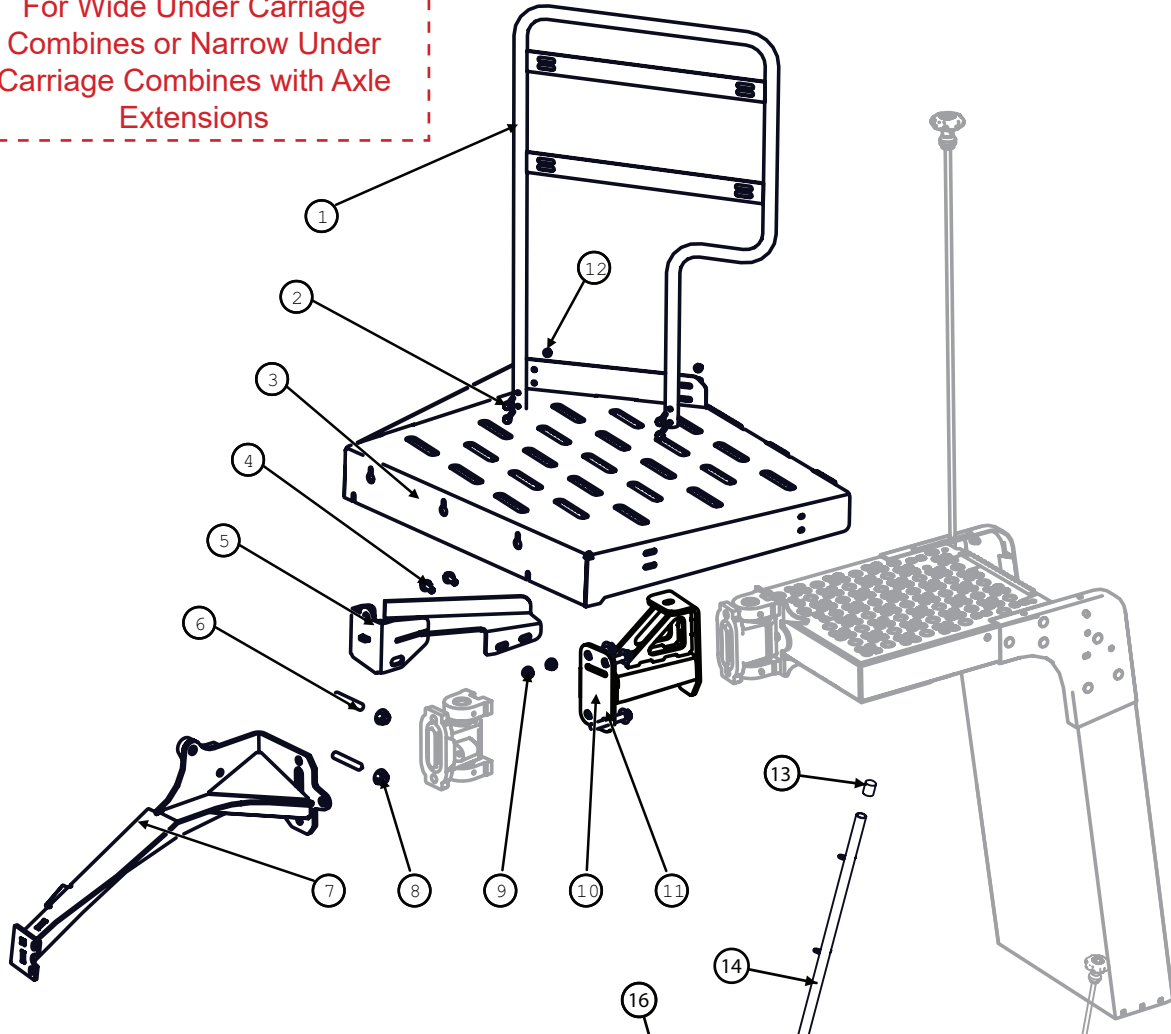
Model JS9020 Hillco Leveling System
For Serial Numbers JS9020-21001 thru JS9020-21999

Retractable Ladder

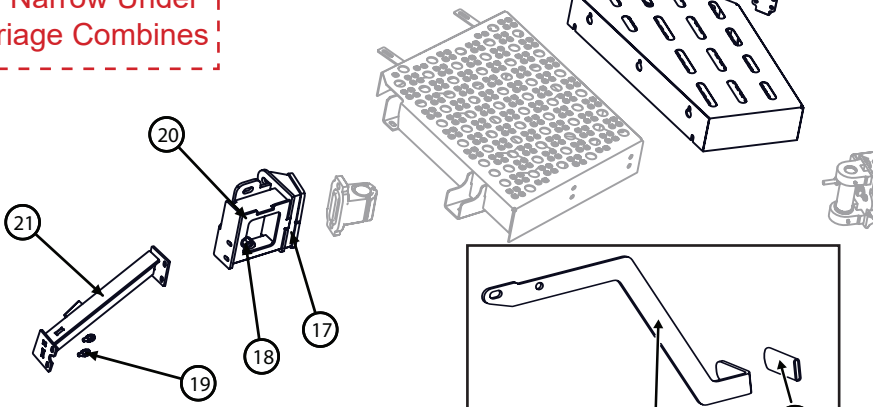
| BOM ID | Part No. | Qty | Description |
|---------------|-----------------|------------|--------------------------------------|
| 1-32 | P500971 | 1 | ASSEMBLY, MOVING STEP (HILLSIDE) |
| 1 | 122.012.045 | 2 | FLHC-10.9M12X1.75X45 |
| 2 | 162.014.008 | 4 | MACHINE BUSHING 14GA NR 1/2ID |
| 3 | 1329802 | 1 | LM LINK, LWR RIGHT PARALLEL |
| 4 | 128.012 | 10 | FLHN-10.9M12X1.75 STVR |
| 5 | 122.010.035 | 8 | SCREW, FLANGED HEX CAP, 10.9 |
| 6 | 1300191 | 4 | LM SPACER, STEP |
| 7 | 123.010 | 12 | FLHN-10.9 M10 X 1.50 |
| 8 | 152601 | 1 | STEP, PLATFORM, STEP (HXE19816) |
| 9 | 122.012.030 | 4 | FLHC-10.9 M12X1.75X30 |
| 10 | 1330281 | 1 | LM PLT, VERTICAL OUTER RIGHT |
| 11 | 1300113 | 1 | LM LINK, VERTICAL INNER, |
| 12 | 1300061 | 1 | LM WLD, RHT LADDER MNT |
| 13 | 122.010.030 | 4 | FLHC 10.9 M10 X 1.5 X 30 |
| 14 | 155327 | 2 | STRUT, LIFT, 100LB, 15OPC, 6" STROKE |
| 15 | 134931 | 4 | LIFT SUPPORT BRACKETS (PAIR) |
| 16 | 1329781 | 1 | LM WLD, TOP RIGHT LINK |
| 17 | 1299181 | 10 | LM BUSHING, LADDER PIVOT |
| 18 | 153.010.012 | 10 | MACHINE BUSHING 10GA WR 3/4ID |
| 19 | 151921 | 2 | GRIP, JD#W25634 |
| 20 | 1306352 | 1 | LM PLT, HANDLE, LEFT |
| NS | 1316512 | 1 | LM PLT, HANDLE, LEFT - SHORT |
| 21 | 10049.03.00016 | 2 | KEY, STR, 3/16 X 3/16 X 1 |
| 22 | 1298191 | 1 | LM RND, ROCK SHAFT |
| 23 | 122.012.030 | 4 | FLHC-10.9M10X1.75X20 |
| 24 | 122.012.025 | 2 | FLHC-10.9M12X1.75X25 |
| 25 | 1330291 | 1 | LM PLT, VERTICAL OUTER LEFT |
| 26 | 123.010 | 4 | FLHN-10.9M10X1.5 STVR |
| 27 | 136.005 | 2 | LOCK WASHER 5/16" |
| 28 | 1329851 | 1 | LM WLD, TOP LEFT LINK |
| 29 | 1329812 | 1 | LM LINK, LWR LEFT PARALLEL |
| 30 | 1300183 | 1 | LM PLT, LADDER HANDLE RIGHT |
| NS | 1316502 | 1 | LM PLT, HANDLE, RIGHT - SHORT |
| 31 | 1300051 | 1 | LM WLD, LEFT LADDER MNT |
| 32 | 119.005 | 2 | FLHN 5/16-18 |
| 33 | 1337642 | 1 | LM LINK, VERTICAL INNER, L |

Ladder Wedges & Service Ladder Extension

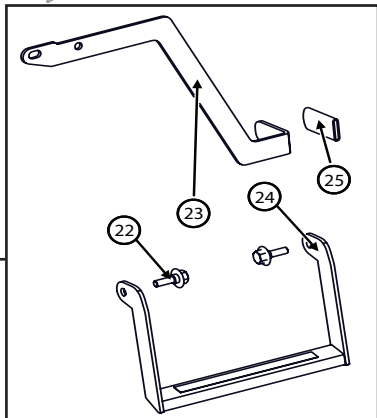
For Wide Under Carriage
Combines or Narrow Under
Carriage Combines with Axle
Extensions



For Narrow Under
Carriage Combines



Engine Deck Service Step

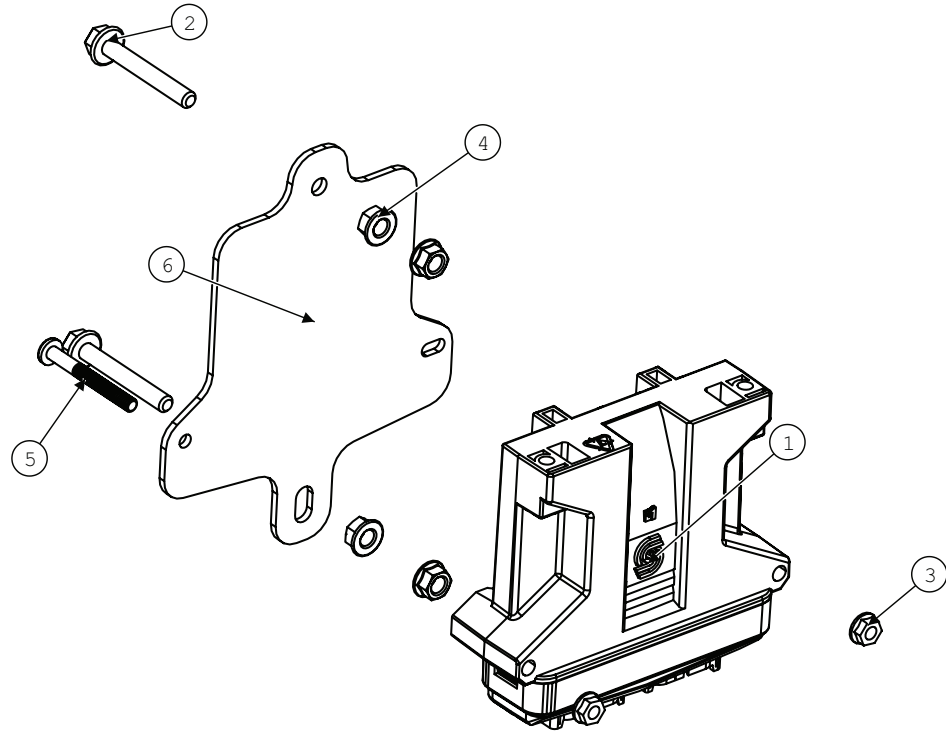


Model JS9020 Hillco Leveling System
For Serial Numbers JS9020-21001 thru JS9020-21999

| Ladder Wedge | | | |
|---------------------------------|-----------------|------------|----------------------------------|
| BOM ID | Part No. | Qty | Description |
| 1 | 1346971 | 1 | HANDRAIL 700SERIES |
| 2 | 122.008.050 | 4 | M8X50 |
| 3 | 1343161 | 1 | PLATFORM, DUAL TIRE |
| 4 | 122.012.035 | 2 | M12X35 |
| 5 | 1343141 | 1 | PIVOT LOCKOUT |
| 6 | 155.016.090 | 2 | STUD, DOUBLE-10.9 |
| 7 | 1342721 | 1 | INNER PLATFORM BEAM |
| 8 | 128.016 | 2 | M16x2.0 |
| 9 | 155860 | 2 | CYLINDER,LEVELING,DUAL CB |
| 10 | 1343091 | 1 | 10" PIVOT EXTENSION |
| 11 | 122.016.060 | 3 | M16X60 |
| 12 | 123.008 | 4 | M8x1.25 |
| 13-21 | 1314181 | 1 | Narrow Undercarriage Ladder |
| 14 | 151681 | 1 | SHORT CAP, BLK, 1-1/4ID X 1-1/2L |
| 15 | 1296681 | 1 | HANDRAIL CORNER |
| 16 | 122.010.020 | 4 | BOLT,HX,FL,CL10.9 M10X20 |
| 17 | 1301803 | 1 | PLATFORM, 17" |
| 18 | 122.016.050 | 2 | BOLT,HX,FL,CL10.9 M16X50 |
| 19 | 123.016 | 1 | NUT,HX,FL,CL10 M16 |
| 20 | 123.01 | 12 | NUT,HX,FL,CL10 M10 |
| 21 | 1300681 | 1 | PIVOT EXTENSION |
| Engine Deck Service Step | | | |
| 22-25 | 1340581 | 1 | SERVICE LADDER EXTENSION |
| 22 | 1348281 | 2 | SERVICE LADDER HINGE |
| 23 | 1340591 | 1 | HANDLE, SERVICE LADDER EXTENSION |
| 24 | 1340571 | 1 | SERVICE LADDER EXTENSION |
| 25 | 151921 | 1 | GRIP |

Model JS9020 Hillco Leveling System
 For Serial Numbers JS9020-21001 thru JS9020-21999

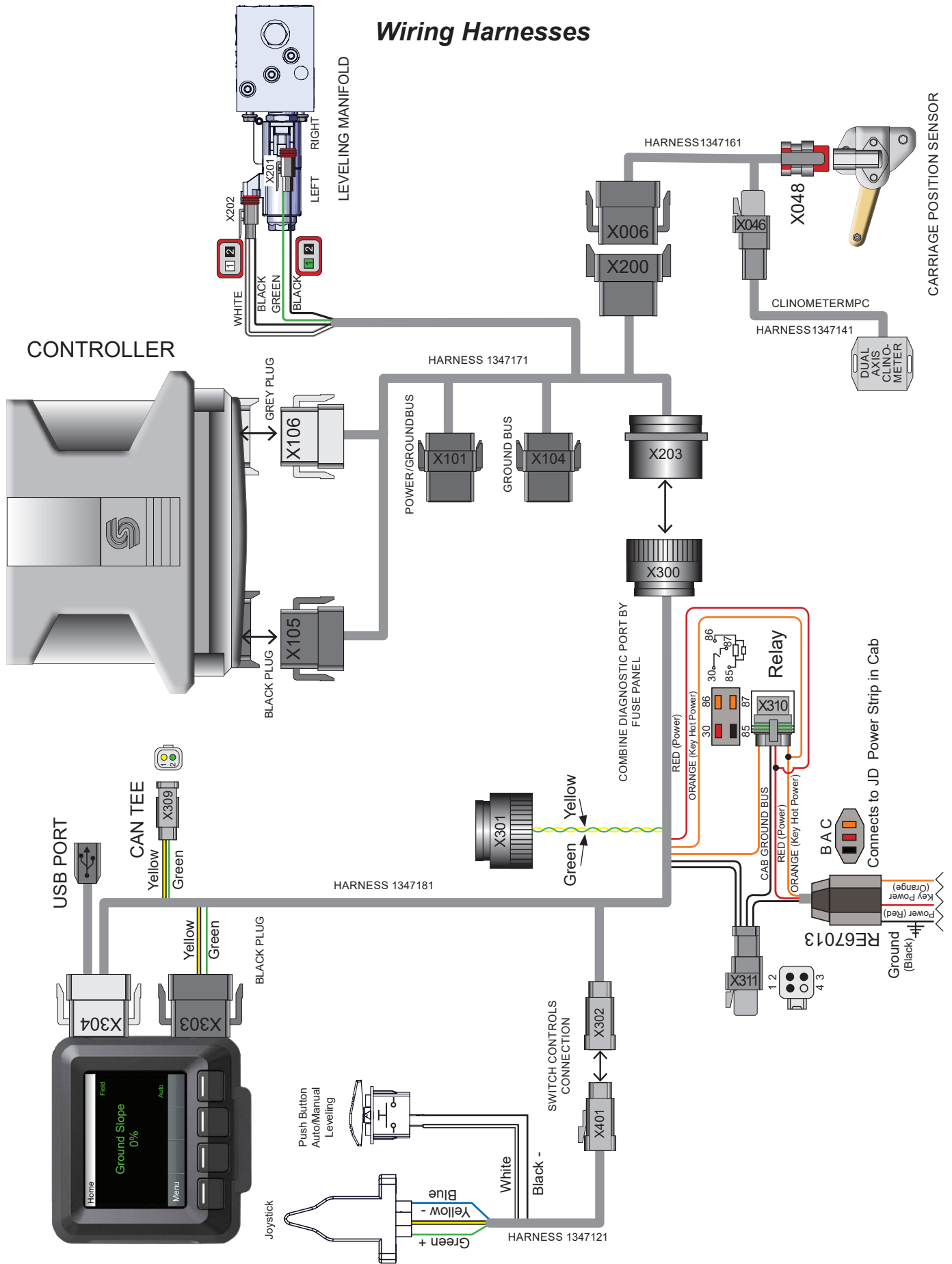
Controller Harnesses



| Electrical Components | | | |
|-----------------------|-------------|-----|--|
| BOM ID | Part No. | Qty | Description |
| 1 | 155713 | 1 | CONTROLLER, DANFOSS PLUS 1-24 PIN, PROGRAM 1346642 |
| 2 | 122.008.060 | 2 | FLHC-M08X1.25X60 |
| 3 | 119.004 | 2 | PHMS-GR5-1/4-20 X 2-1/4" |
| 4 | 123.008 | 4 | FLHN 10.9 M8 X 1.25 |
| 5 | 114.004.036 | 2 | SCREW,PHM,CH,SERR |
| 6 | 1295201 | 1 | EM PLT, CONTROLLER MNT |

Model JS9020 Hillco Leveling System
 For Serial Numbers JS9020-21001 thru JS9020-21999

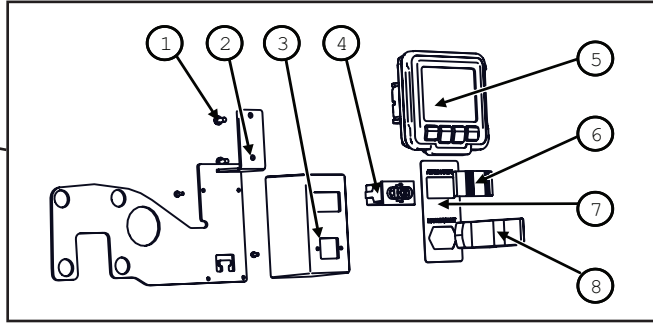
Wiring Harnesses



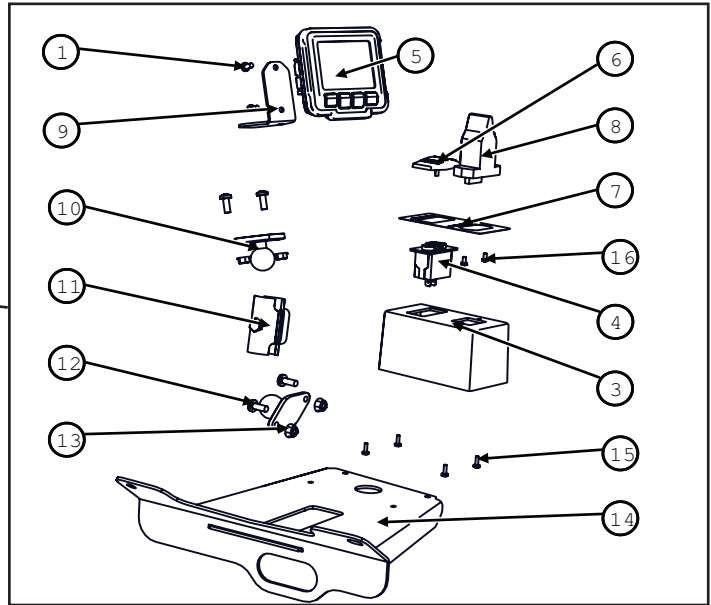
Model JS9020 Hillco Leveling System
For Serial Numbers JS9020-21001 thru JS9020-21999

Monitor

S700 SERIES



S600 SERIES



Electrical Components

| BOM ID | Part No. | Qty | Description |
|--------|-------------|-----|--|
| 1 | 171.005.010 | 2 | SCREW,PHM,CH M5X10 |
| 2 | 1347231 | 1 | MOUNT, 700 SERIES LEVELER CONTROLS |
| 3 | 1346991 | 1 | BOX, SWITCH MOUNT |
| 4 | 155785 | 1 | SWITCH, SPST MOMENTARY |
| 5 | 155685 | 1 | DISPLAY, CC PILOT, 3.5" VI, 16MB PROGRAM 1347422 FOR S600 COMBINES PROGRAM 1347132 FOR S700 COMBINES |
| 6 | EC-149581 | 1 | CONTURA BLACK ACTUATOR WAYTEK 44361 |
| 7 | 155796 | 1 | DECAL, SWITCH BOX, LEVELING SYSTEM |
| 8 | 155784 | 1 | JOYSTICK, SINGLE AXIS |
| 9 | 1347581 | 1 | DISPLAY MOUNT |
| 10 | 153851 | 2 | RAM 2-7/16" X 1-5/16" BASE W/ 1" BALL |
| 11 | 153871 | 1 | RAM, DBL SOCKET ARM FOR 1" BALL, 2" SOCKET TO SOCKET LENGTH |
| 12 | 171.006.016 | 4 | SCREW,PHM,CH M6X16 |
| 13 | 123.006 | 4 | M6 X 1.0 |
| 14 | 1347561 | 1 | MONITOR MOUNT, S |
| 15 | 114.#06.006 | 4 | SCREW,PHM,CH 6-32X3/8 |
| 16 | 171.003.006 | 2 | SCREW,PHM,CH M3X6 |

Model JS9020 Hillco Leveling System
For Serial Numbers JS9020-21001 thru JS9020-21999

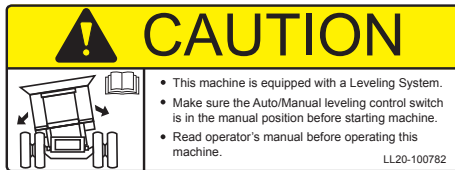
Decals and Literature



1) LL-133741



2) LL-151041



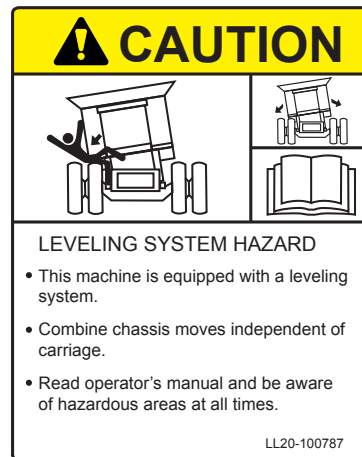
3) LL20-100782



4) LL20-100784



5) LL20-100783



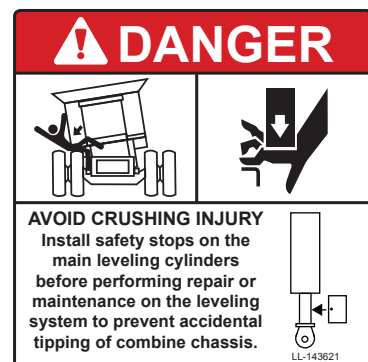
6) LL20-100787



7) LL20-100786



8) LL20-100788



9) LL-143621

Model JS9020 Hillco Leveling System
For Serial Numbers JS9020-21001 thru JS9020-21999

| DECALS AND LITERATURE | | | | |
|-----------------------|----------------|------|------------------------------------|---|
| REF. | PART NO. | QTY. | PART NAME | DESCRIPTION |
| 1 | LL-133741 | 1 | LABEL, GREASE 50 HRS | OC BULKHEAD |
| 1 | LL-133741 | 2 | LABEL, GREASE 50 HRS | RIGHT & LEFT MAIN LEV CYL BOTTOM |
| 1 | LL-133741 | 1 | LABEL, GREASE 50 HRS | MASTER CYLINDER ROD |
| 2 | LL-151041 | 2 | DECAL, HILLSIDE LEVELING SYSTEM | SIDE OF COMBINE |
| 3 | LL-153691 | 2 | DECAL, 20 YEAR ANIVERSARY | SIDE OF COMBINE |
| 4 | LL20-100782 | 1 | CAUTION LEVELING SYSTEM CAB | WINDOW IN CAB |
| 5 | LL20-100783 | 2 | DANGER, CRUSHING HAZARD | RIGHT & LEFT UNDERCARRIAGE |
| 5 | LL20-100783 | 2 | DANGER, CRUSHING HAZARD | SIDES OF DROP AXLE ASSEMBLY |
| 6 | LL20-100784 | 2 | DECAL, DANGER PINCH POINT | RIGHT & LEFT UPPER TRANS FACE PLT |
| 7 | LL20-100786 | 1 | WARNING ELECTRICAL CRUSHING HAZARD | FRONT OF ELECTRICAL CONTROL BOX |
| 8 | LL20-100787 | 1 | CAUTION - LEVELING SYSTEM HAZARD | ON LADDER PLATFORM |
| 9 | LL20-100788 | 1 | DANGER - HYDRAULIC HAZARD | ON SIDE OF COMBINE ABOVE THE HYDRAULIC MANIFOLD |
| 9 | LL20-100788 | 2 | DANGER - HYDRAULIC HAZARD | FOR EACH LEVELING CYLINDER |
| 10 | LL-143621 | 2 | DANGER, AVOID CRUSHING INJURY | IN AREA NEAR SAFETY STOP STORAGE LOCATION |
| NS | LL-147651 | 1 | LABEL, FEMA MEMBER TAG | NEAR SERIAL NUMBER TAG |
| NS | LA-255961 | 1 | TAG, SERIAL NUMBER | |
| NS | LL-289641 | 1 | CM LABEL, MECHANICAL CYLINDER STOP | |
| NS | D-120620CMA01A | 1 | MANUAL, PARTS | |
| NS | D-111124CMA01B | 1 | MANUAL, OPERATORS | |
| NS | D-050611SLR01 | 1 | WARRANTY REGISTRATION CARD | |
| NS | LL-239412 | 1 | LABEL, STEERING WHEEL | TIED TO STEERING WHEEL DURING INSTALLATION |
| NS | D-120412CMA01 | 3 | DEALER PDI & INSTALL CHECKLIST | |

Model JS9020 Hillco Leveling System
For Serial Numbers JS9020-21001 thru JS9020-21999

Notes

Model JS9020 Hillco Leveling System
For Serial Numbers JS9020-21001 thru JS9020-21999

Hillco Technologies, Inc.
107 1st Avenue
Nezperce, Idaho 83543

| | |
|-------|--------------|
| Phone | 800-937-2461 |
| | 208-937-2461 |
| Fax | 208-937-2280 |

www.hillcotechnologies.com
email: support@hillcotechnologies.com