

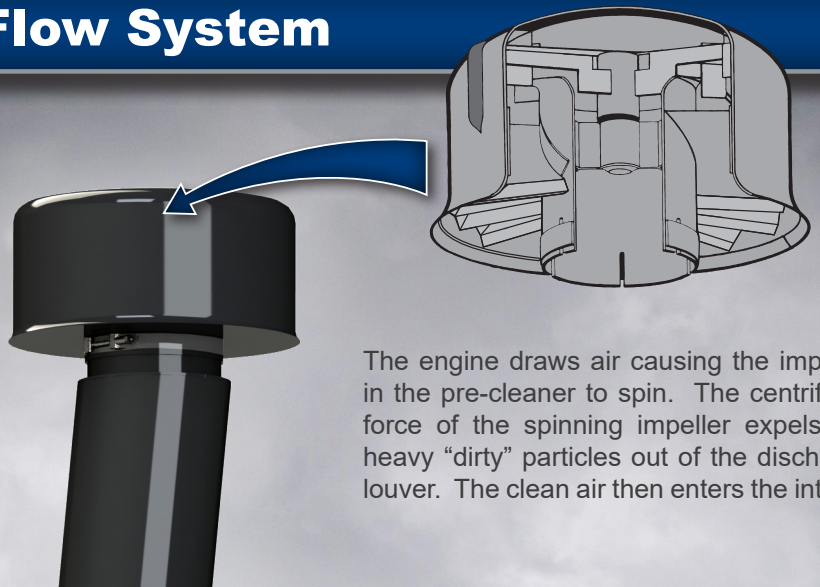
HILLCO AIR FLOW SYSTEMS FOR CASE-IH & NEW HOLLAND TRACTORS

Hillco Air Flow Systems will extend the life of your tractor's air filter in dusty and dirty conditions. The self-cleaning design requires no maintenance and will reduce the amount of dirt entering your tractor's air filter. Contact Hillco or your local Case-IH or New Holland dealer for more information.



Benefits of a Hillco Air Flow System

- ▶ Extended Air Filter Life
- ▶ Reduced Downtime
- ▶ Increased Engine Life
- ▶ Increased Fuel Efficiency
- ▶ Simple and Quick Installation
- ▶ Maintenance Free
- ▶ Water Tight Design



The engine draws air causing the impeller in the pre-cleaner to spin. The centrifugal force of the spinning impeller expels the heavy "dirty" particles out of the discharge louver. The clean air then enters the intake.



Hillco Technologies, Inc.
1010 1st Ave, Nezperce, ID
www.hillcotechnologies.com 800-937-2461
Hillco is a registered trademark of Hillco Technologies, Inc.

Case-IH Tractor Models		Hillco Kit Part Numbers
Magnum T4A	235, 260, 290, 315, 340 & 370	1353082
Magnum T4B	250, 280, 310, 340, 380 & 400	1352572
Steiger T4Aarrow Chassis	350, 400, 450 Wheel/Row & 500 Row	1335382
Steiger T4A	450 Quad, 500 Wheel/Quad, 550 & 600	1328652
Steiger T4B	370, 420, 470, 500, 540, 580 & 620	1329902

New Holland Tractor Models		Hillco Kit Part Numbers
Genesis T4A	275, 300, 330, 360 & 390	1353082
Genesis T4B	320, 350, 380, 410 & 435	1352572
T9 T4A Narrow Chassis	390, 450, 505 & 560	1335382
T9 T4A	615 & 670	1328652
T9 T4B	435, 480, 530, 565, 600, 645 & 700	1329902

1353082



1352572



1335382



1328652



1329902



If you have a Case-IH or New Holland tractor model that is not listed please contact Hillco.