

Model JH9020 Hillco Leveling System
For Serial Numbers JH9020-22001 thru JH9020-22999



Model JH9020 Hillside Leveling System Parts Manual

SN JH9020-22001 thru JH9020-22999

For John Deere S780 & S790
S Series Combines

D-180730CMA01



JH9020 Hillside Leveling System

For S780 & S790 S Series Combines

Table of Contents

General Information.....	3
Serial Number Location	3
Text and Illustrations	3
Abbreviations	3
Right and left Identification	3
Part Orders	3
Transition.....	4
Beater Transition	5-13
Beaterless Transition	14-18
HFA Beater Transition	19-24
Carriage.....	25
Overcarriage	26
Undercarriage	28
Carriage Misc. Parts	29
Carriage Position Sensor	30
Drive Wheel.....	32
Drop Axle.....	33
Hydraulic Components.....	34
Code 62	35
Leveling Manifold	37
Header Trim Manifold	39
John Deere Header Lift Manifold Fittings	41
Hydraulic Hoses	42
Retractable Ladder.....	43
Ladder Wedge.....	45
Electrical.....	47
Controller	47
Wiring Harnesses	48
Monitor	49-50
Decals and Literature.....	51

Contact Information

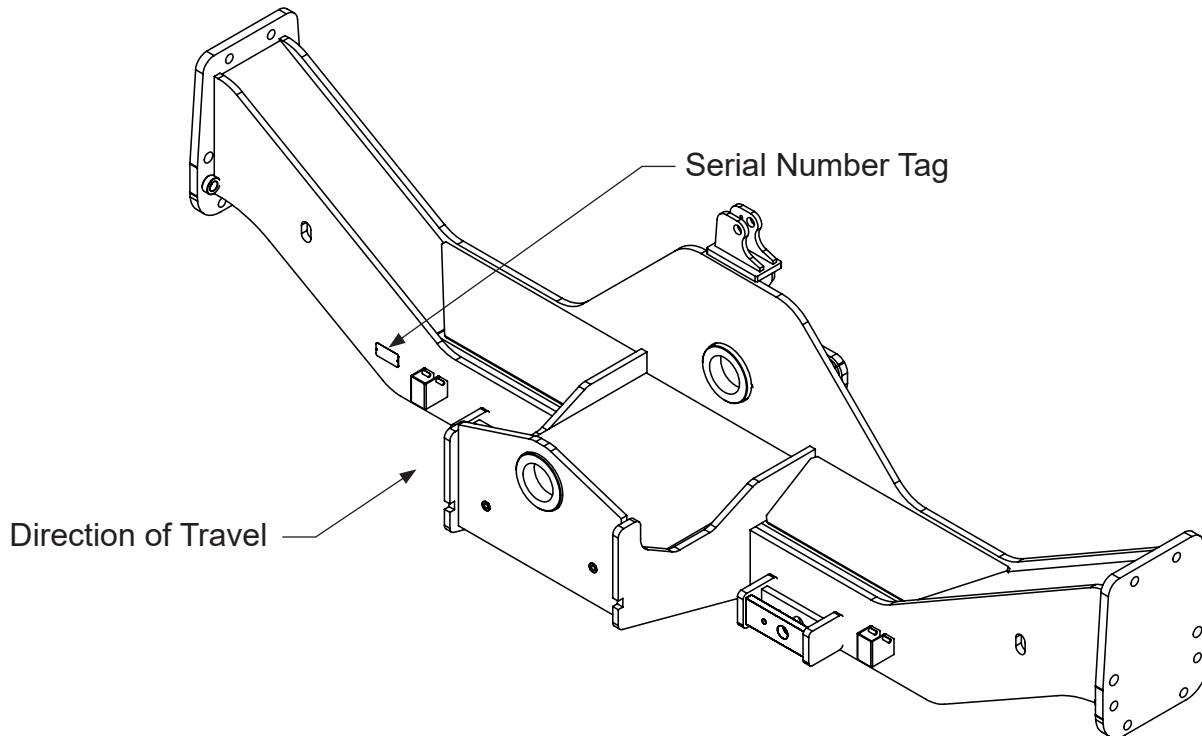
Hillco Technologies, Inc.
1010 1st Avenue
Nezperce, Idaho 83543

Phone	800-937-2461
	208-937-2461
Fax	208-937-2280

www.hillcotechnologies.com
email: support@hillcotechnologies.com

GENERAL INFORMATION

SERIAL NUMBER LOCATION



TEXT AND ILLUSTRATIONS

The arrangement of this parts catalog is for easy identification of parts. All parts are illustrated in exploded views in proper relation to each other. Some diagrams refer to other pages for further information. Reference numbers used in the illustrations refer to line numbers in the part lists. The part lists appear to the right or below all diagrams and correspond with those diagrams. Included in the part lists, along with the reference numbers are part numbers, part descriptions and the quantity of the part required per leveling system.

ABBREVIATIONS

SN "Serial Number" refers to the serial number given to each leveling system (by Hillco Technologies), as well as the serial number given to the combine (by the specific combine manufacturer) the leveling system is installed. See above for the leveling system's serial number location. This abbreviation is used interchangeably in both instances. Each Model JH9010 Leveling System uses the following serial number format: JH9020-XXXXX (sequential numbers).

ASM "Assembly" refers to a whole grouping of parts (shown in the diagram corresponding with the page where "ASM" is shown unless otherwise noted). Some assemblies have parts that are sold separately, however some must be purchased as a single unit. Hillco Product Specialists will be able to assist you with any questions.

NS "Not Shown" refers to a part that is not depicted in the illustration.

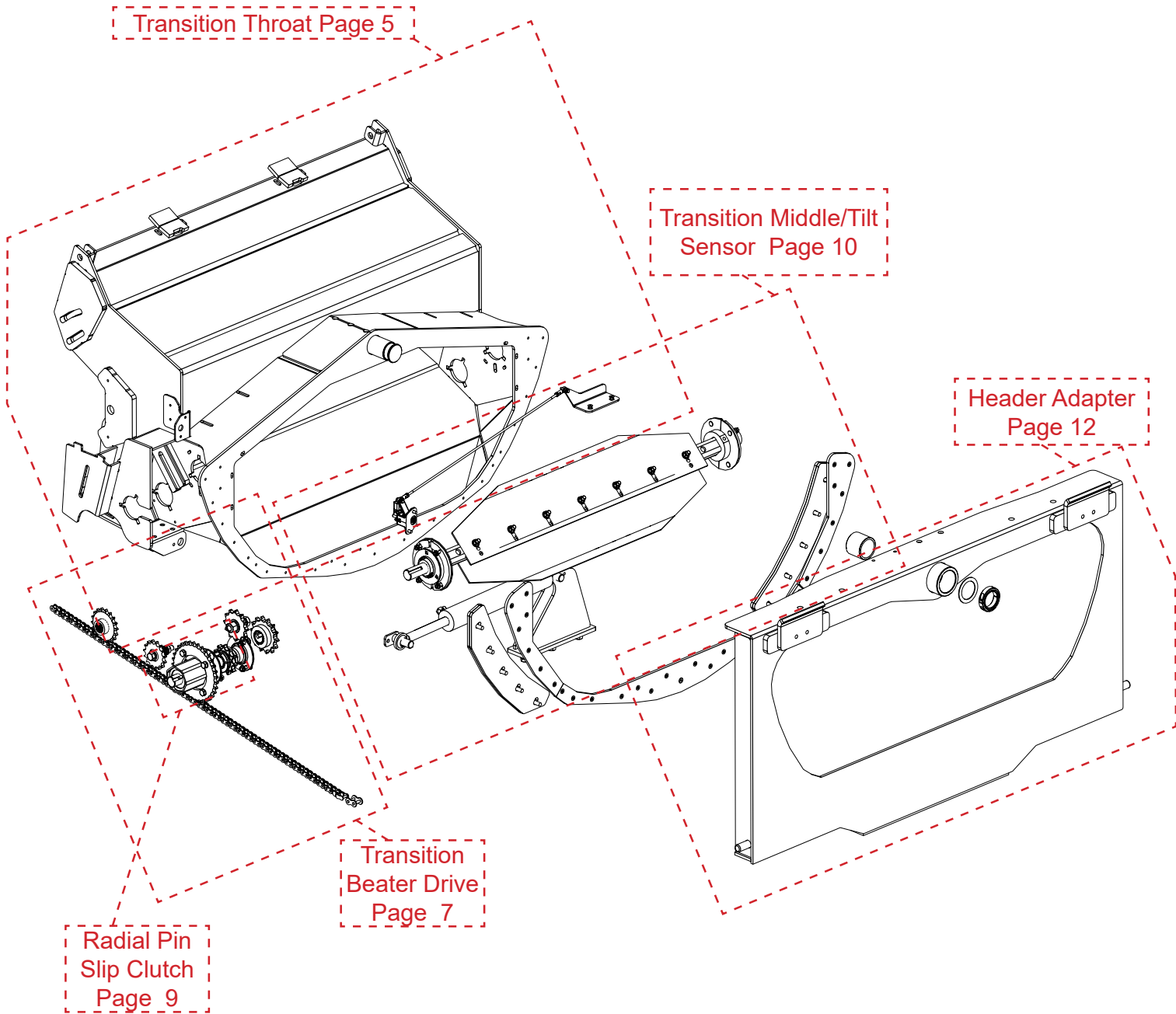
RIGHT AND LEFT IDENTIFICATION

The reference to right-hand and left-hand in this catalog is identified by the operator sitting in the operator's seat, looking toward the front of the machine (in normal forward travel).

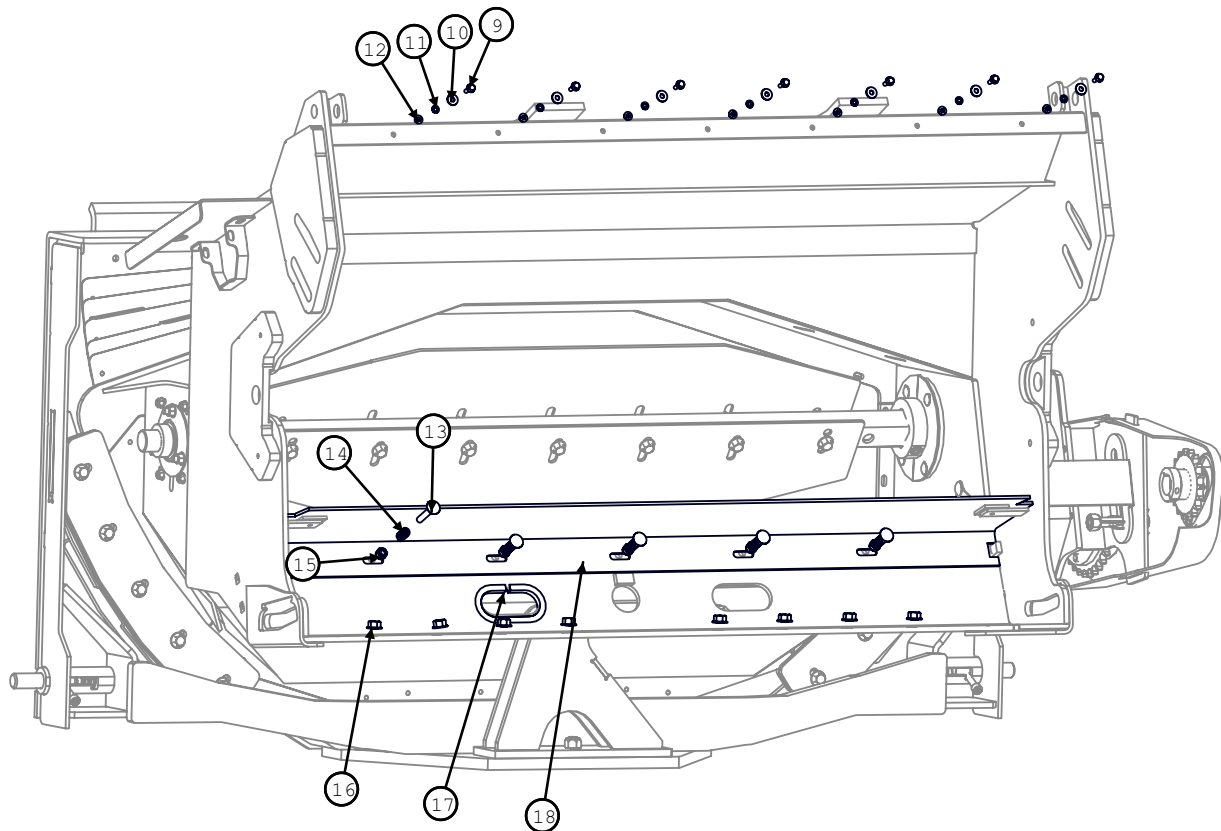
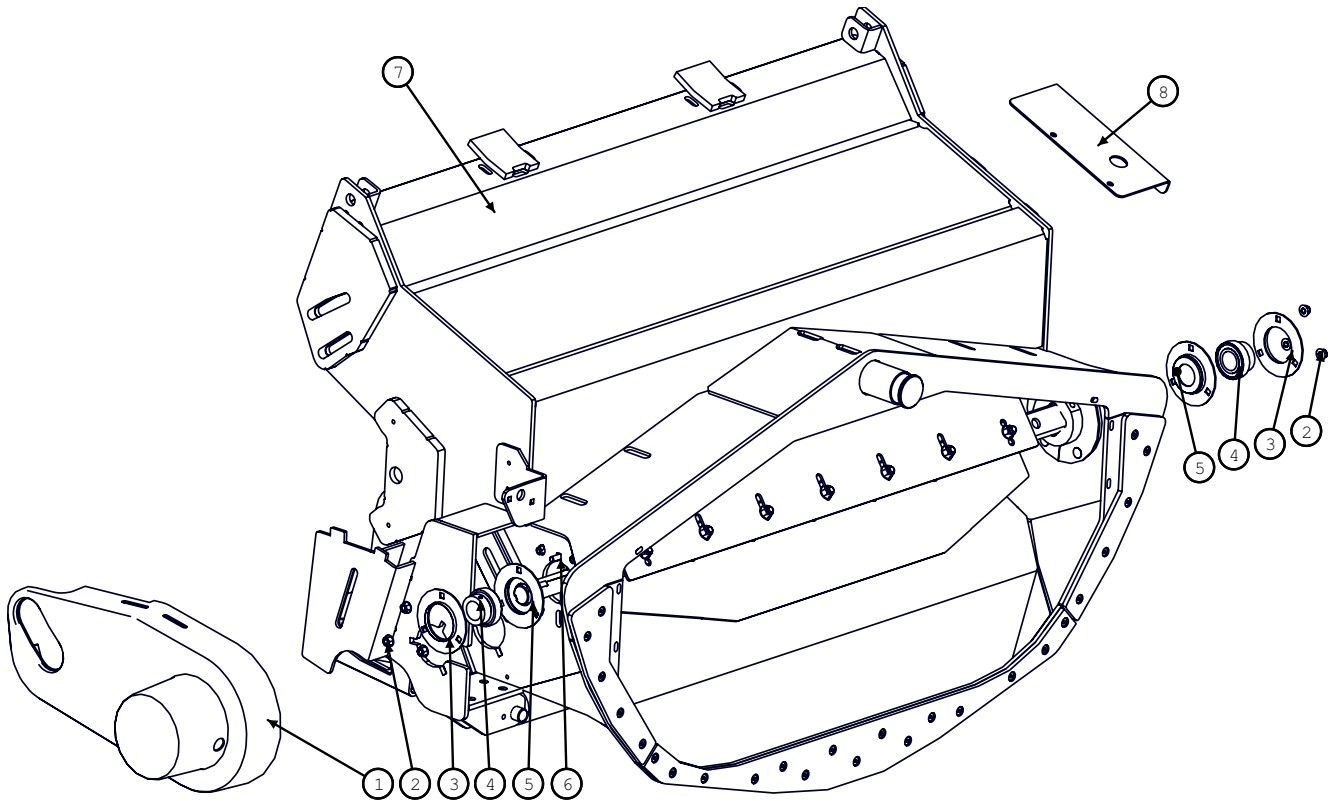
PART ORDERS

Orders must specify product model, serial number, correct part number, complete description, quantity required, method of shipment, shipping address, and billing address.

TRANSITION



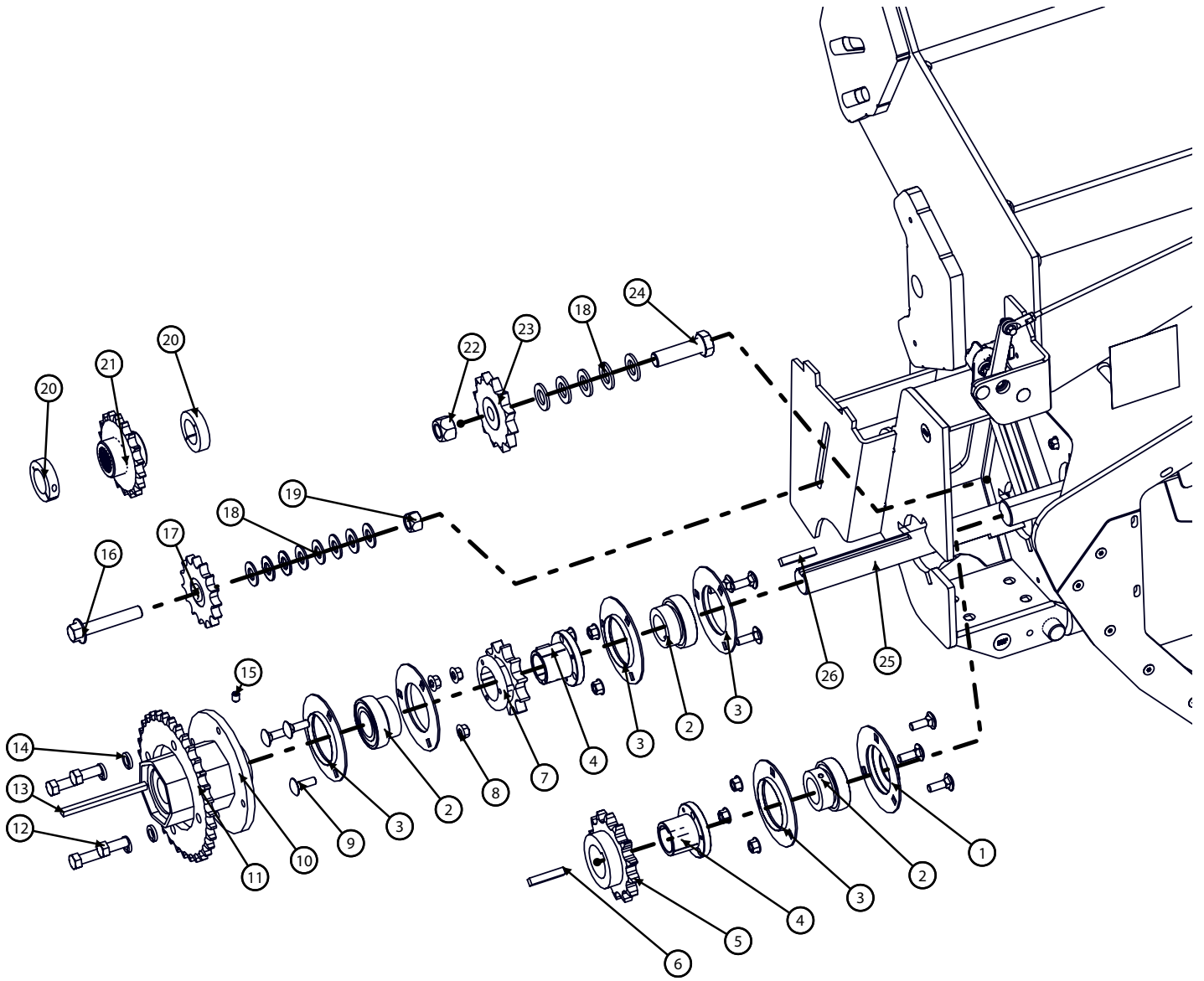
TRANSITION THROAT



Model JH9020 Hillco Leveling System
For Serial Numbers JH9020-22001 thru JH9020-22999

Transition Throat			
BOM ID	Part No.	Qty	Description
1	1147671	1	SHIELD, BEATER DRIVE
2	123.010	6	NUT,HEX,FLANGE,CL10 M10
3	101339	2	FLANGETTE,
4	100548	2	INSERT BEARING
5	1243691	2	INNER FLANGETTE
6	163.010.050	6	BOLT,CARR,CL8.8 M10
7	1323302	1	THROAT
8	1316464	1	TRIM SHIELD
9	122.006.020	7	BOLT,HX,FL,CL10.9 M6X20
10	105.004	7	WASHER,FLT 1/4
11	136.004	7	WASHER,LCK,MED-SPLIT 1/4
12	123.006	7	NUT,HX,FL,CL10 M6
13	163.010.060	5	BOLT,CARR,CL8.8 M10
14	143591	5	SPRING, COMPRESSION
15	191.010	5	NUT,HX,NYL,CL8 M10
16	123.012	8	NUT,HX,FL,CL10 M12
17	10114.00168	1	TRIM, RUBBER EDGE,
18	1312971	1	FLEX FLOOR

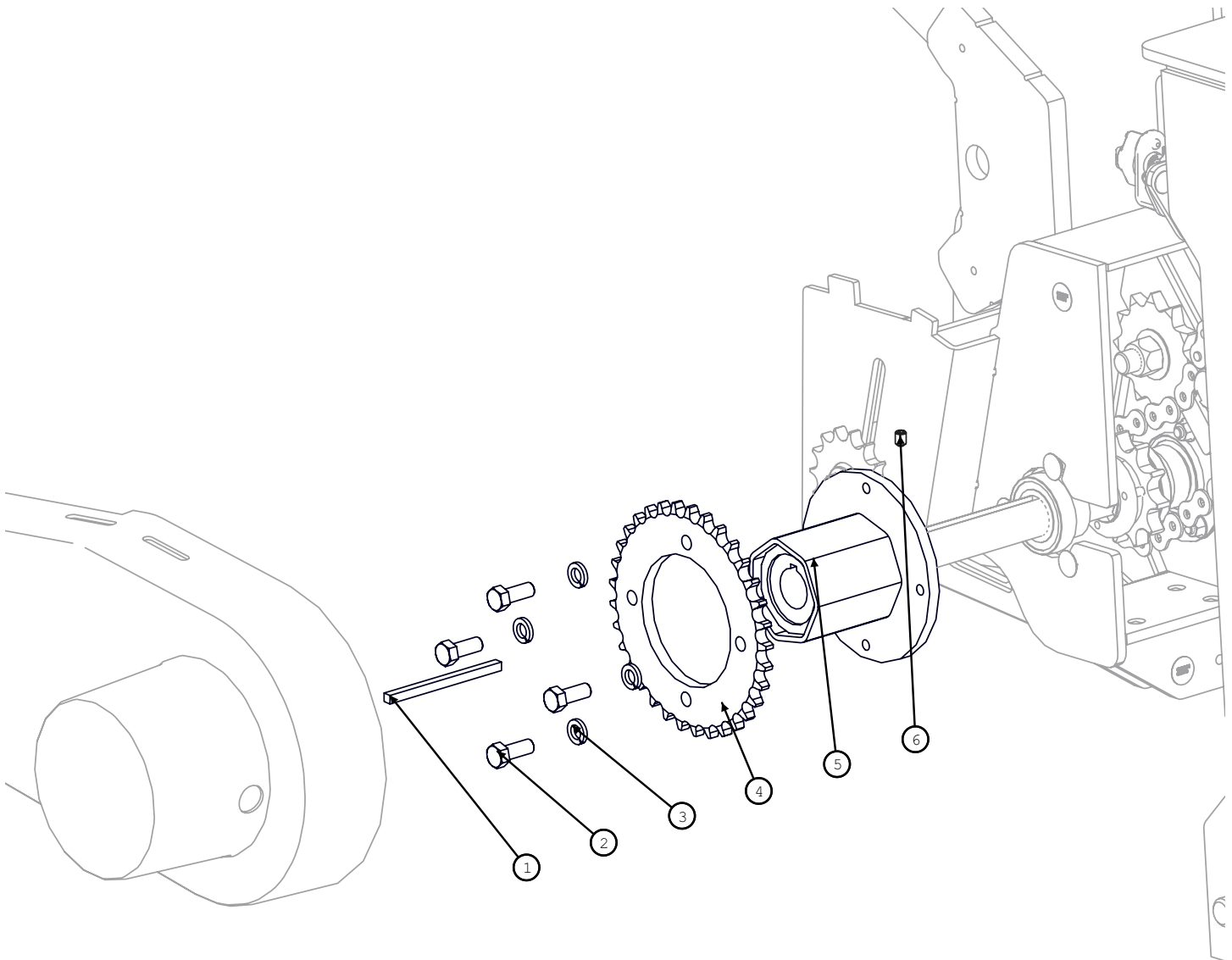
TRANSITION BEATER DRIVE



Model JH9020 Hillco Leveling System
For Serial Numbers JH9020-22001 thru JH9020-22999

Transtion Beater Drive			
BOM ID	Part No.	Qty	Description
1	1243691	1	INNER FLANGETTE
2	100548	3	INSERT BEARING
3	101339	5	FLANGETTE,
4	135511	2	HUB, SPLIT TAPER
5	136151	1	SPROCKET, TAPER BORE (80 PITCH, 14T)
6	10049.06.00032	1	SQ,1018,CD 3/8X2
7	135491	1	SPROCKET, TAPER BORE (80 PITCH, 11T)
8	123.010	9	NUT,HX,FL,CL10 M10
9	163.010.030	9	BOLT,CARR,CL8.8 M10
10	136921	1	SLIP CLUTCH, RADIAL
11	1226532	1	SPROCKET, PLATE
12	167.008.020	4	BOLT,HX,GR8 1/2-20X1-1/4
13	10049.05.00080	1	SQ,1018,CD 5/16" X 5"
14	139.008	4	WASHER,LCK,HVY-SPLIT 1/2
15	158.006.008	1	SCREW,SKT,SET 3/8-16X1/2
16	122.016.060	1	BOLT,HX,FL,CL10.9 M16X60
17	100237	1	SPROCKET, IDLER, 60P, 15T, 5/8B
18	133.010	15	WASHER,L9,HD
19	126.016	1	NUT,HX,STV,CL10 M16
20	142001	2	1 PC SPLIT COLLAR,
21	1273851	1	DRIVE SPROCKET
22	126.020	1	NUT,HX,STV,CL10 M20
23	137441	1	SPOCKET, IDLER, 80P, 12T, 3/4" BORE
24	121.020.070	1	BOLT,HX,CL10.9 M20
25	1229142	1	JACK SHAFT, RND, 1144, G&P 1-7/16" X 13-1/16
26	10049.06.00032	1	SQ,1018,CD 3/8X2
DRIVE CHAINS			
NS	10068.073	-	60 PITCH CHAIN, 73 PITCHES, TRANSITION DRIVE
NS	10066.029		80 PITCH CHAIN, 29 PITCHES, PADDLE BEATER DRIVE

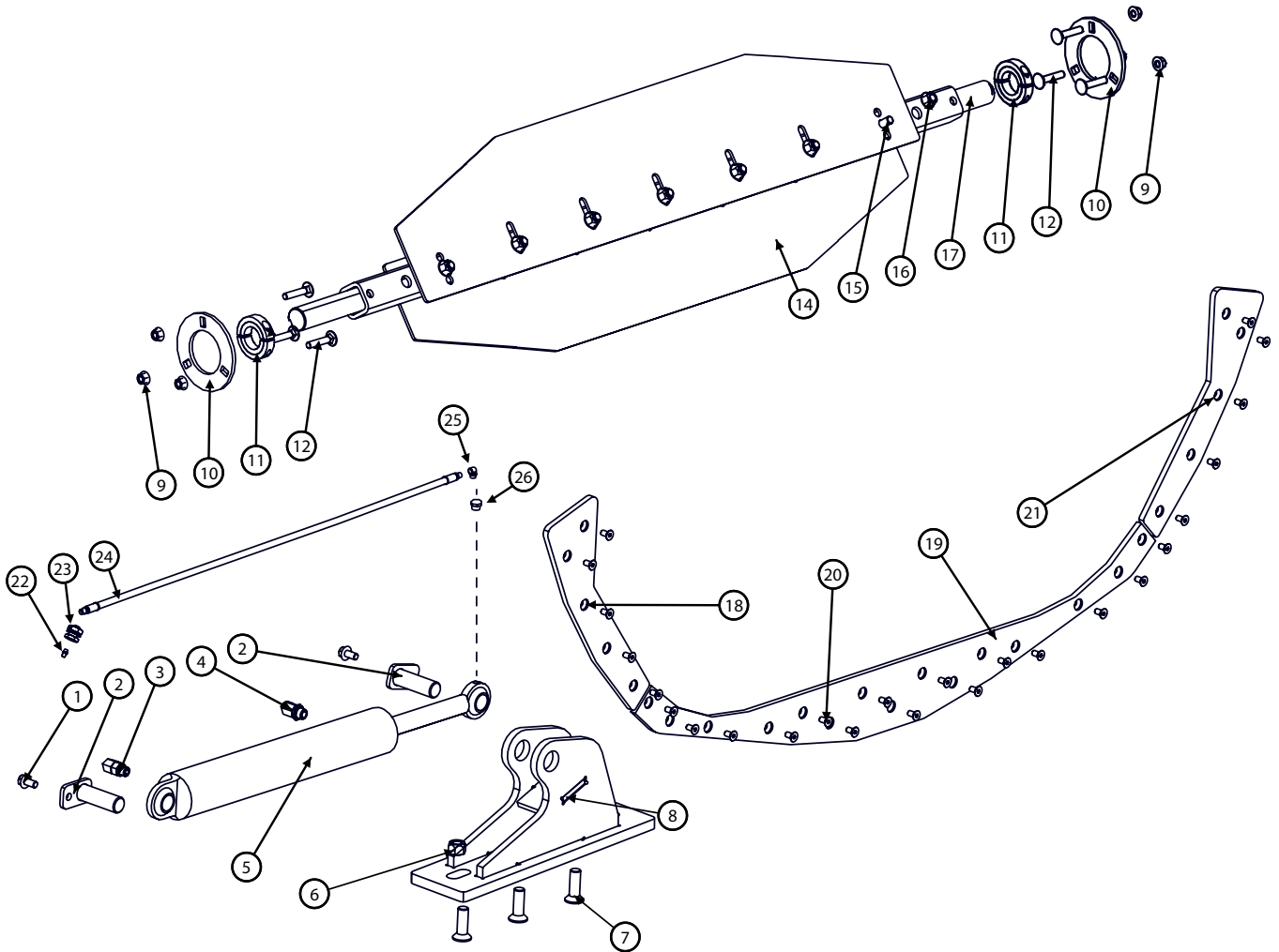
RADIAL PIN SLIP CLUTCH



Radial Pin Slip Clutch			
BOM ID	Part No.	Qty	Description
ASM	LA-242431	1	SLIP CLUTCH ASM, RADIAL PIN
2	10049.05.00080	1	SQ,1018,CD 5/16X5
2	167.008.020	4	BOLT,HX,GR8 1/2-20X1-1/4
3	139.008	4	WASHER,LCK,HVY-SPLIT 1/2
4	1226532	1	SPROCKET, PLATE
5	136921	1	SLIP CLUTCH, RADIAL
6	158.006.008	1	SCREW,SKT,SET 3/8-16X1/2

Model JH9020 Hillco Leveling System
For Serial Numbers JH9020-22001 thru JH9020-22999

TRANSITION MIDDLE

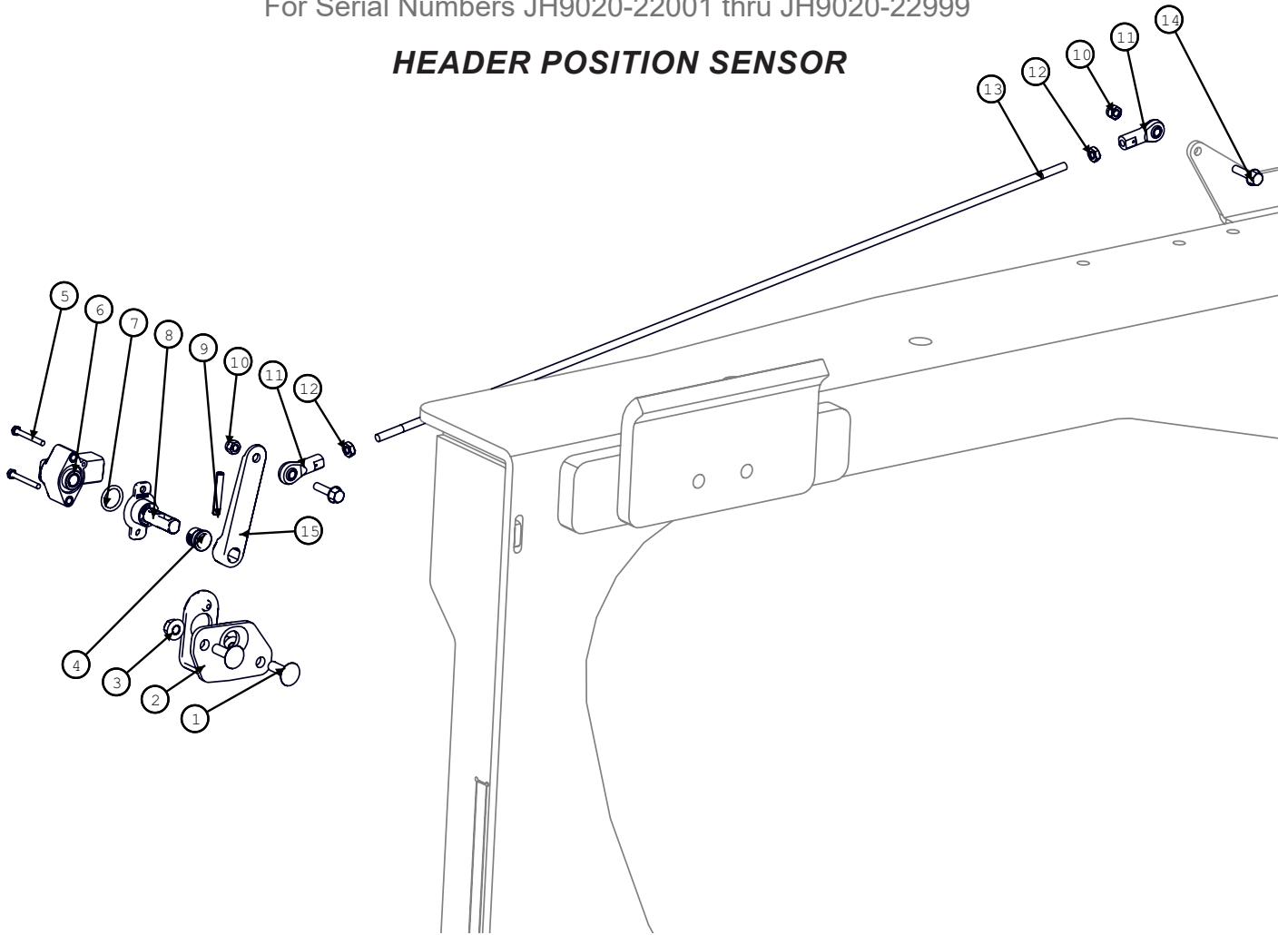


Model JH9020 Hillco Leveling System
For Serial Numbers JH9020-22001 thru JH9020-22999

Transition Middle			
BOM ID	HILLCO Part No.	Qty	Description
1	122.010.020	2	BOLT,HX,FL,CL10.9 M10X20
2	1253884	2	CYLINDER PIN, TRIM
3	1003.06.06	1	HA,90° 6MORB X 6MORS 90°
4	1002.06.06	1	HA,45° -6MORB X -6MORFS
5	147491	1	CYLINDER,SLAVE,21"CPC
6	126.016	3	NUT,HX,STV,CL10 M16
7	122.016.050	3	BOLT,HX,FL,CL10.9 M16 X 50
8	1322201	1	ROD MOUNT
9	123.010	6	NUT, M10
10	1346691	2	SHAFT SEAL
11	155773	2	CLAMP ON SHAFT COLLAR
12	163.010.050	6	BOLT, CARR, M10 X 50
14	1286321	2	PADDLE,METAL,NARROW
15	122.012.080	7	BOLT,HX,FL,CL10.9 M12X80
16	128.012	7	NUT,HX,FL,STV,CL10 M12
17	1251632	1	BEATER SHAFT
18	1229162	1	SIDE WEAR PLATE, L
19	1322151	1	BOTTOM WEAR PLATE
20	164.008.016	25	SCREW,FHSC,CL10.9 M8X16
21	1229172	1	SIDE WEAR PLATE, R
22	138011	1	ZERK,STR, 1/4-28MTAPER
23	155157	1	BULKHEAD,GREASE,STR,
24	1138952	1	100R1-03, 40"
25	135771	1	ADAPTER,GREASE,90°
26	135881	1	ADAPTER,GREASE, STRAIGHT

Model JH9020 Hillco Leveling System
For Serial Numbers JH9020-22001 thru JH9020-22999

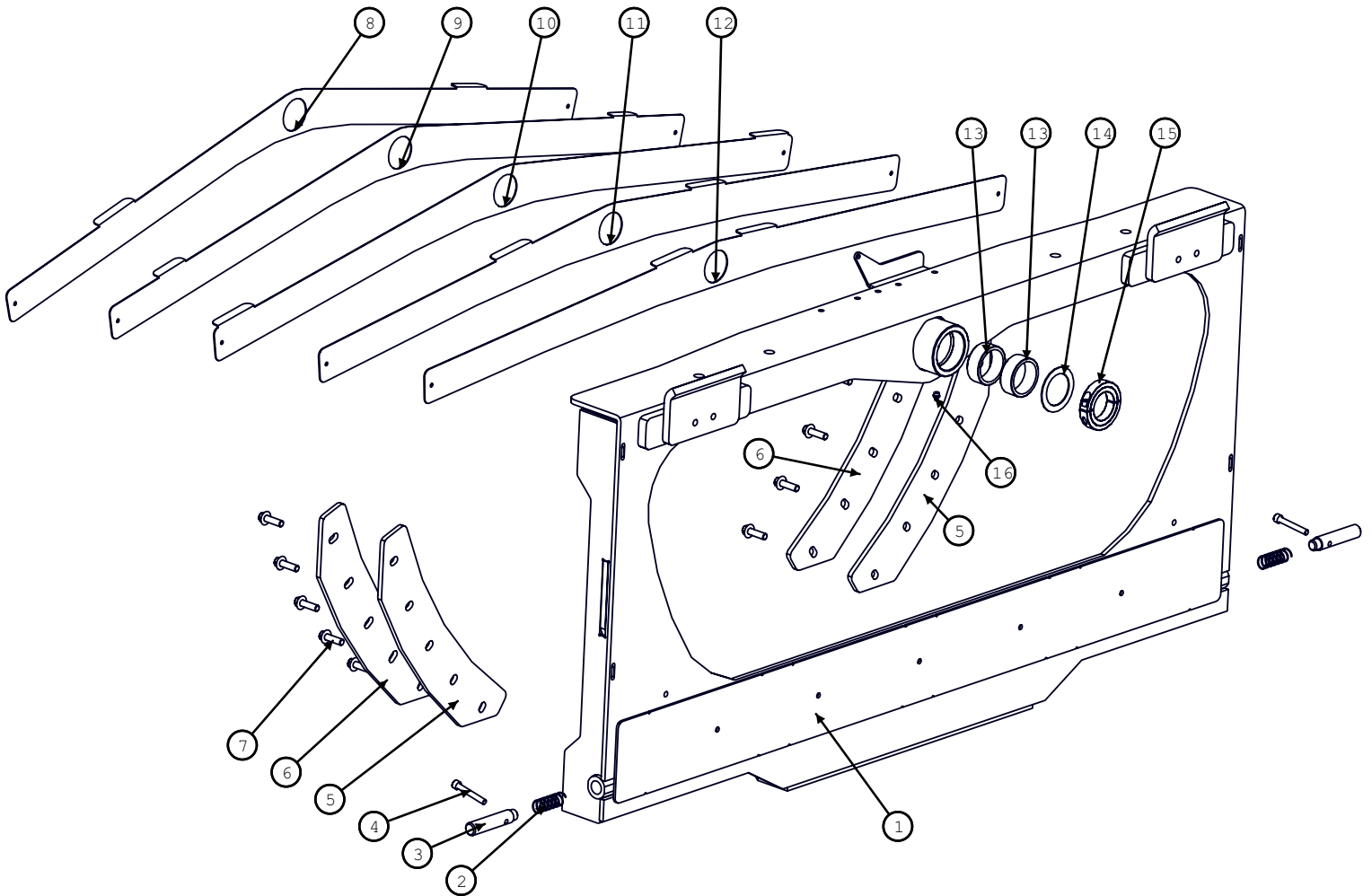
HEADER POSITION SENSOR



Header Position Sensor			
BOM ID	HILLCO Part No.	Qty	Description
1	163.008.025	2	BOLT,CARR,CL8.8 M8X25
2	151321	1	BRACKET, SENSOR
3	123.008	2	NUT,HX,FL,CL10 M8
4	151361	1	BUSHING,
5	170.004.035	2	BOLT, HX,CL8.8
6	151381	1	SENSOR, ROTATION,
7	151391	1	O-RING, 11/16ID
8	151401	1	SENSOR SHAFT,
9	201.006.036	1	PIN,ROLL M6X36
10	191.006	2	NUT,HX,NYL,CL8 M6
11	151881	2	ROD END, BALL JOINT,
12	184.004	2	NUT,HX,JAM,GR5 1/4-28
13	1295502	1	SENSOR ROD
14	122.006.025	2	BOLT,HX,FL,CL10.9 M6X25
15	151351	1	ARM, SENSOR

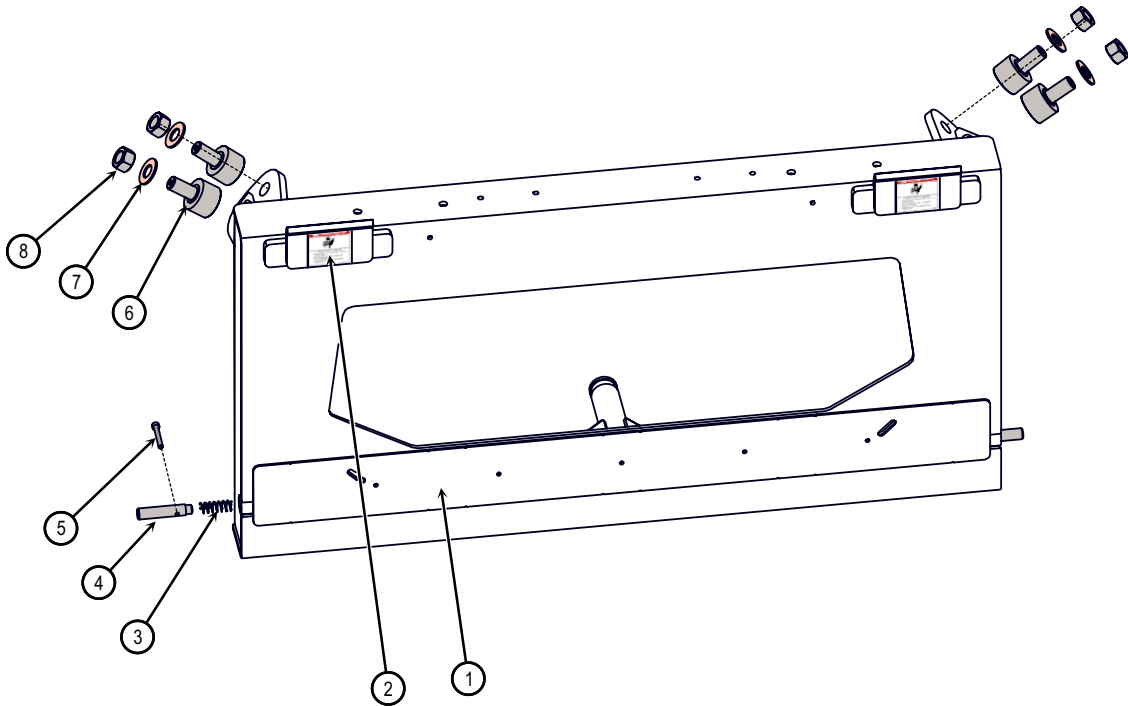
Model JH9020 Hillco Leveling System
 For Serial Numbers JH9020-22001 thru JH9020-22999

TRANSITION HEADER ADAPTER



Transition Header Adapter			
BOM ID	Part No.	Qty	Description
1	1322001	1	HEADER ADAPTER
2	135531	2	SPRING, COMPRESSION
3	1229193	2	LOCKOUT PIN
4	159.010.070	2	SCREW, SHC, CL12.9
5	1249871	2	WEAR PLATE,
6	1249861	2	BACKING PLATE
7	122.012.040	10	BOLT,HX,FL,CL10.9 M12X40
8-12	P306131	1	DEFLECTOR KIT
8	1306183	1	DEFLECTOR, REAR
9	1306173	1	DEFLECTOR, INNER REAR
10	1306163	1	DEFLECTOR,
11	1306153	1	DEFLECTOR, INNER FRONT
12	1306143	1	DEFLECTOR, FRONT
13	1305471	2	PIVOT BUSHING
14	162.014.040	1	BUSHING,MACH,NR
15	150742	1	COLLAR,CLAMPING,2-1/2 ID 3-3/4 OD, 2 PIECE HEAVY
16	133891	1	ZERK, GREASE, 1/8

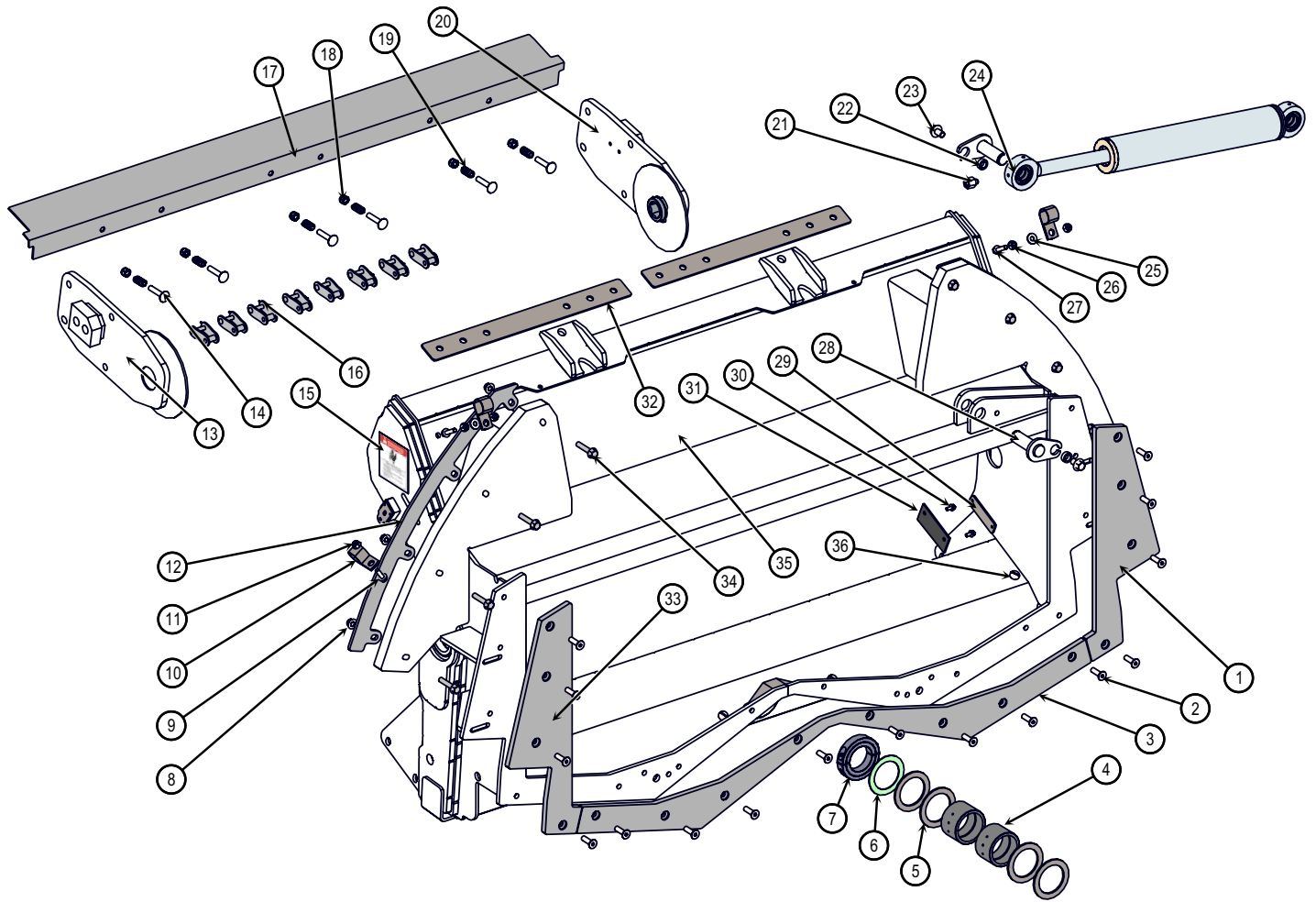
Beaterless Transition Header Adapter



Beaterless Header Adapter			
BOM ID	Part No.	Qty	Description
1	1374441	1	HEADER ADAPTER
2	100784	2	PINCH POINT
3	135531	2	1" OD X 2-7/8"L X .0625W
4	1229193	2	LOCKOUT PIN
5	159.010.070	2	M10-1.5x70
6	156096	4	BEARING, TRACK ROLLER, NON-FLANGED
7	133.020	4	WASHER,L9, FLT, HD, 1-1/4
8	177.020	4	NUT,HX,GR8 1-1/4-12

Model JH9020 Hillco Leveling System
For Serial Numbers JH9020-22001 thru JH9020-22999

Beaterless Transition Throat



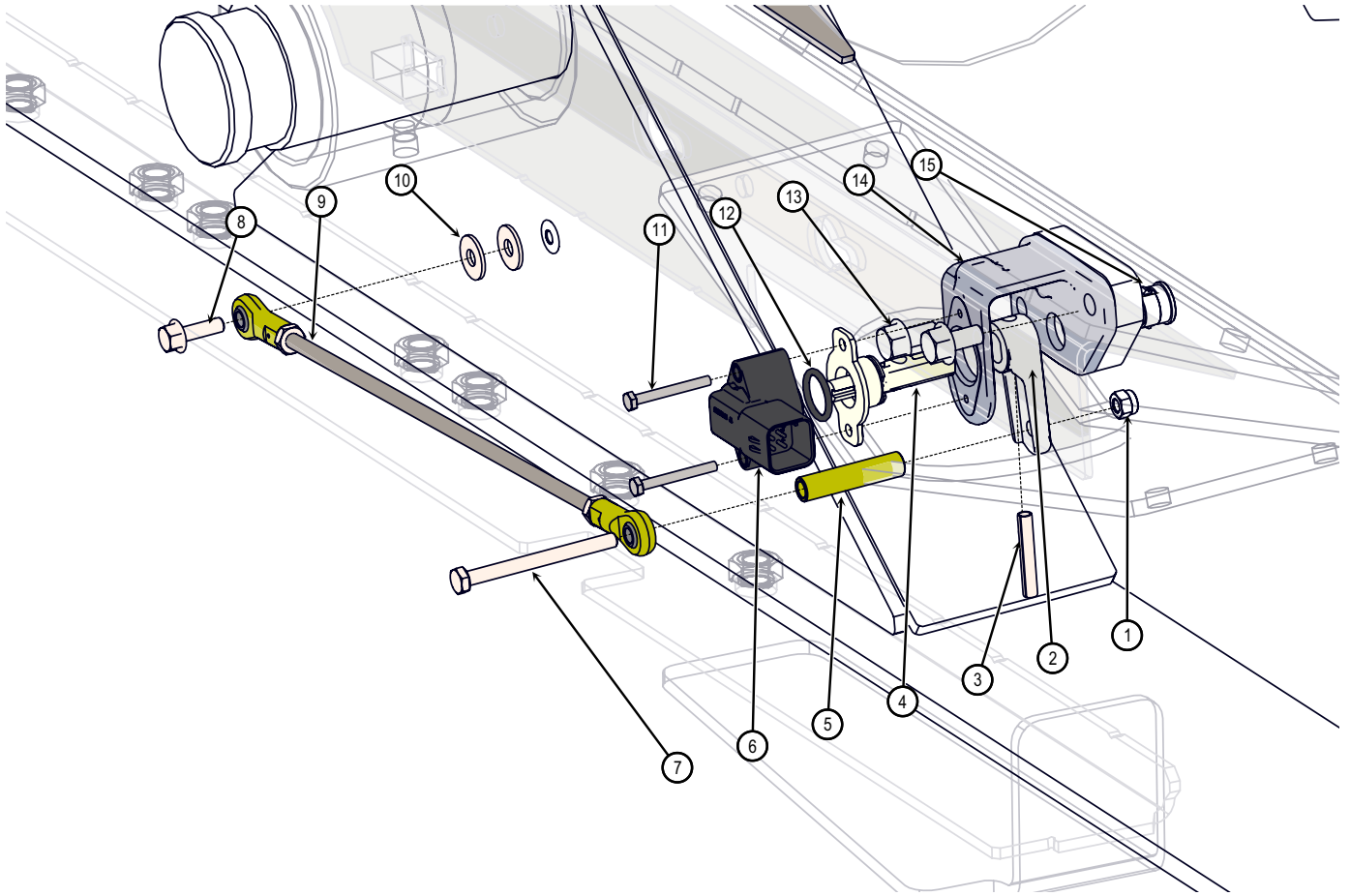
Model JH9020 Hillco Leveling System
For Serial Numbers JH9020-22001 thru JH9020-22999

Beaterless Throat			
BOM ID	Part No.	Qty	Description
1	1374551	1	WEAR PAD, LEFT
2	164.010.035	16	SCREW, FHSC, CL10.9 M10X35
3	1374541	1	WEAR PAD, MIDDLE
4	LM-226831	2	TM BUSHING, PIVOT
5	162.010.040	4	BUSHING, MACH, NR, 10GA, 2-1/2 ID
6	162.014.040	1	14GA, 2-1/2ID
7	150742	1	2-1/2 ID 3-3/4 OD
8	128.01	24	NUT, HX, FL, STV, CL10 M10
9	122.008.025	1	M8X25
10	143601	3	1-1/8"OD, R/C, 3/8"HOLE
11	123.008	3	M8x1.25
12	1374531	2	WEAR PLATE, ROLLER
13	1374651	1	ARM, FEEDER DRUM, HFA, RIGHT
14	163.010.050	6	M10x50
15	100784	2	PINCH POINT
16	146641	8	CA557
17	1370381	1	FLEX FLOOR
18	191.010	10	CL8 M10
19	143591	6	.125WIREx1.09Lx.703OD
20	1374661	1	ARM, FEEDER DRUM, HFA, LEFT
21	135881	2	1/4-28Mx1/8FNPTF, LINCOLN
22	1351031	2	BUSHING, CYLINDER PIN
23	122.012.020	2	M12X20
24	147491	1	2-1/2"B x 12-1/2S, 21"CPC
25	105.005	2	5/16"
26	128.008	2	M8x1.5
27	122.008.035	2	M8X35
28	1351591	2	CYLINDER PIN, TRIM
29	1323241	2	STIFFENER, SEAL
30	122.006.012	4	M6X12
31	1323252	2	SEAL
32	1370871	2	SPACER, TOP TORQUE PLATE
33	1374561	1	WEAR PAD, RIGHT
34	122.010.050	8	M10X50
35	1374261	1	THROAT
36	181.010.025	4	SCREW, PHM, SH M10X25

Model JH9020 Hillco Leveling System
For Serial Numbers JH9020-22001 thru JH9020-22999

Beaterless Throat Parts			
BOM ID	Part No.	Qty	Description
NS	1138953	1	HLB-02x40", -02MP SWVL STRx1/8-27NPSM STR
NS	1295342	1	SENSOR HARNESS
NS	1356311	1	HLB-02X12"; -02MP STR SWVL x 1/8-27 NPSM STR
NS	1371021	1	100R17AR-04X66; -6FF STR X -6FF STR
NS	1371031	1	100R17AR-04X76; -6FF STR X -6FF STR
NS	1375841	1	HLB-02X20"; -02MP STR SWVL x 1/8-27 NPSM STR
NS	1376031	1	100R17AR-06X33"; -6FF STR X -6MF STR
NS	1376041	1	100R17AR-06X11"; -6FF STR X -6MF STR
NS	1003.06.06	1	-6MORB X -6MORFS
NS	1006.06.06	2	-6FORFS x -6MORFS
NS	1008.06	1	SWIVEL NUT, RUN, -6ORFS
NS	1009.06	1	STR THD, BRANCH,
NS	105.004	1	WASHER,FLT 1/4
NS	1074.02	1	1/8FNPT X 1/8FNPT
NS	122.006.020	1	M6X20
NS	123.006	1	M6 X 1.0
NS	133741	2	LABEL, GREASE, 50 HRS
NS	138011	3	ZERK, GREASE 1/4-28 STRAIGHT
NS	142.004.048	4	PIN, COTTER 1/4 X 3
NS	143601	1	CLAMP,HOSE,1-1/8",R/C,3/8 HOLE
NS	155158	3	BULKHEAD, LOCKNUT 1/8NPSM,, LINCOLN

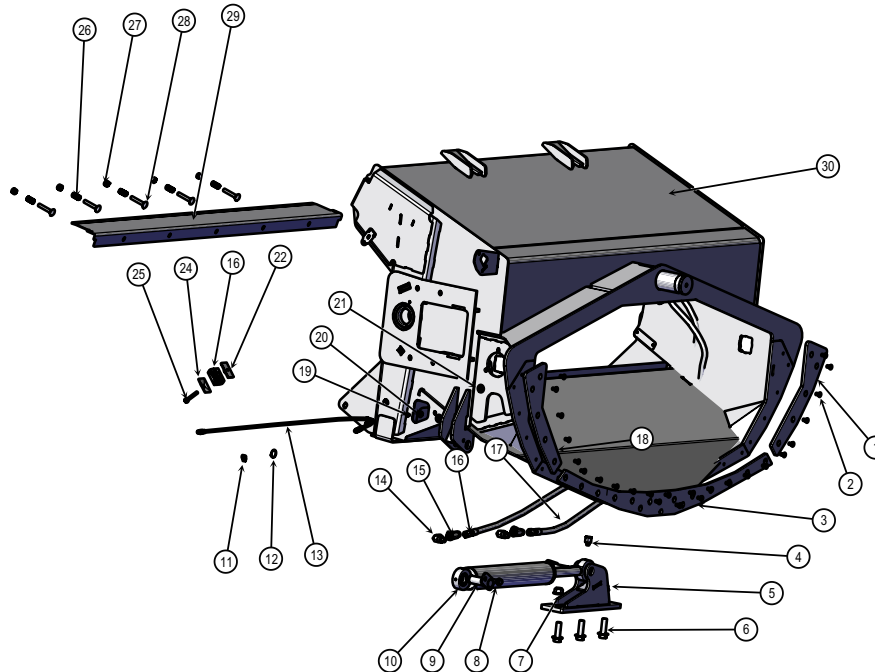
Beaterless Transition Position Sensor



HFA Beater Transition Paddle			
BOM ID	Part No.	Qty	Description
1	191.006	1	NUT,M6x1.0
2	151351	1	ARM, SENSOR
3	201.006.036	1	M6X36
4	151401	1	(JD#AXE14888)
5	1370431	1	SPACER, SENSOR LINKAGE
6	151381	1	HALL 2CH +/-120DE
7	121.006.070	1	M6x70
8	122.006.020	1	M6X20
9	1370441	1	SENSOR LINKAGE, 13-3/8"
10	105.004	2	1/4"
11	170.004.035	2	M4x35
12	151391	1	(JD#P48347)
13	121.008.016	2	M8X16
14	151321	1	(JD#HXE16001)
15	151361	1	(JD#R41076)

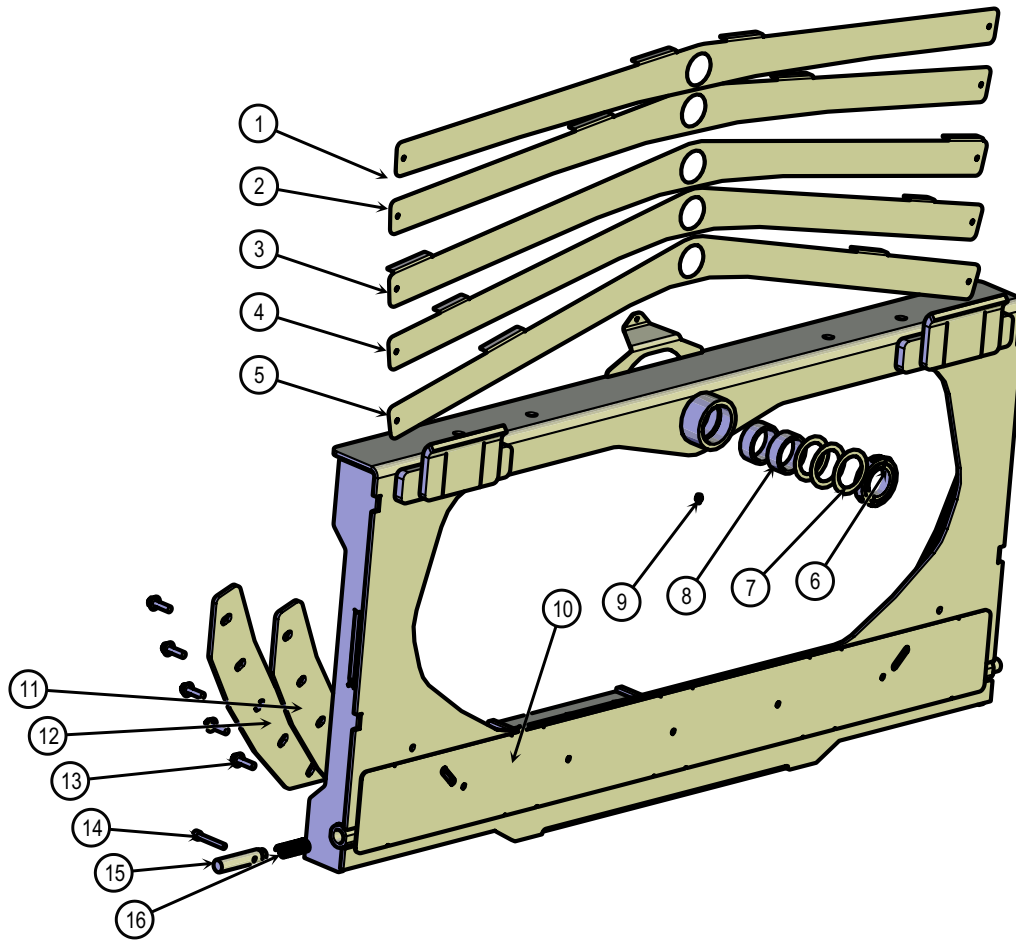
Model JH9020 Hillco Leveling System
For Serial Numbers JH9020-22001 thru JH9020-22999

HFA Beater Transition Throat



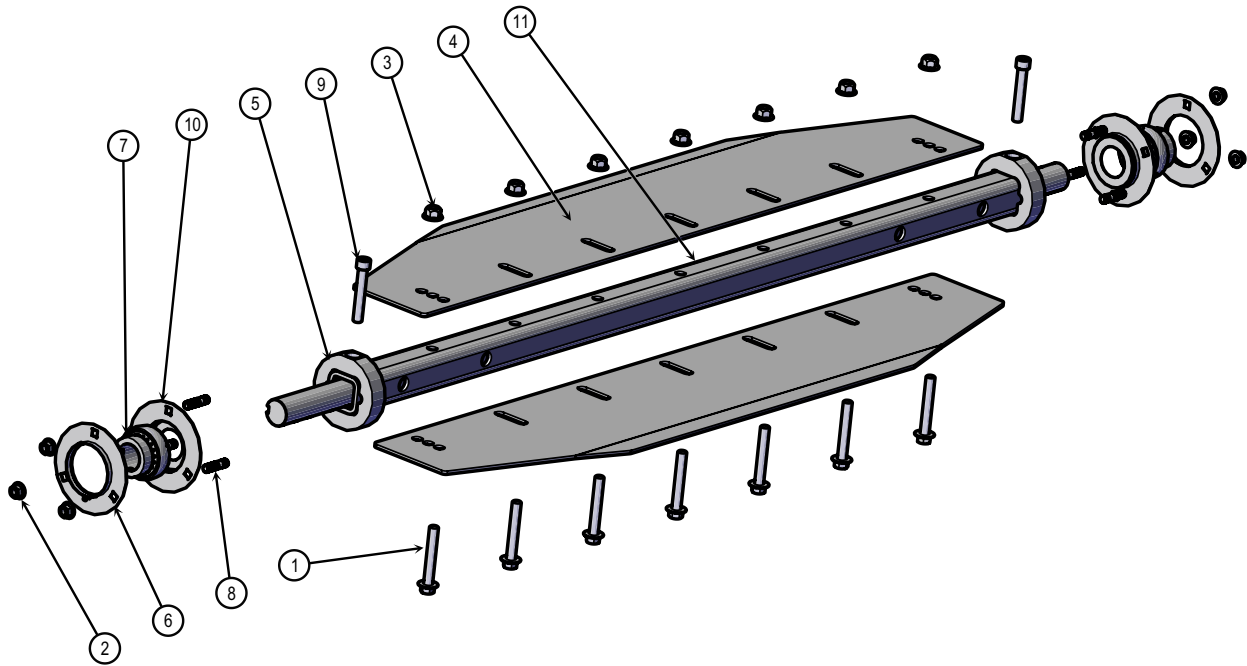
HFA Beater Transition Throat			
BOM ID	Part No.	Qty	Description
1	1229162	1	SIDE WEAR PLATE, L
2	164.008.016	25	M8X16
3	1322151	1	WEAR PLATE, BOTTOM
4	135881	1	1/4-28Mx1/8FNPTF, LINCOLN
5	1322201	1	ROD MOUNT
6	122.016.050	3	M16X50
7	128.016	3	M16x2.0,
8	122.010.020	2	M10X20
9	1229071	2	CYLINDER PIN, TRIM
10	147491	2	CYLINDER, SLAVE, 21" CPC
11	135771	1	ADAPTER,GREASE,90°
12	148.016	2	RING,SNAP,EXT 1
13	1138954	1	HLB-02x50",-02MP SWVL STRx1/8-27NPSM STR
14	1003.06.06	2	-6MORB X -6MORFS
15	1008.06	2	SWIVEL NUT, RUN, -6ORFS
16	1152451	1	100R17AR-04X80",
17	1152461	1	100R17AR-04X70",
18	1229172	1	SIDE WEAR PLATE, R
19	138011	1	1/4-28MTAPER
20	155158	1	1/8NPSM, LINCOLN
21	133741	3	50HRS
22	139491	1	WELDPLATE,TWIN,BEHRINGER
23	139481	1	BEHRINGER -.620
24	139231	1	CLAMP, COVER PLATE
25	101.005.032	1	5/16-18X2
26	143591	5	.125WIREx1.09Lx.703OD
27	191.010	5	CL8 M10
28	163.010.060	5	M10x60
29	1318882	1	FLEX FLOOR
30	1328271	1	HILLSIDE HFA TRANSITION THROAT

HFA Beater Transition Header Adapter



HFA Beater Transition Header Adapter			
BOM ID	Part No.	Qty	Description
1	1306143	1	DEFLECTOR, FRONT
2	1306153	1	DEFLECTOR, INNER FRONT
3	1306163	1	DEFLECTOR,
4	1306173	1	DEFLECTOR, INNER REAR
5	1306183	1	DEFLECTOR, REAR
6	150742	1	2-1/2 ID 3-3/4 OD
7	162.014.040	3	14GA, 2-1/2ID
8	1305471	2	PIVOT BUSHING
9	133891	1	ZERK, GREASE, 1/8
10	1322002	1	HEADER ADAPTER
11	1249871	2	WEAR PLATE,
12	1249861	2	BACKING PLATE
13	122.012.040	10	M12X40
14	159.010.070	2	M10-1.5x70
15	1229193	2	TR PRT, LOCKOUT PIN
16	135531	2	1" OD X 2-7/8"L X .0625W

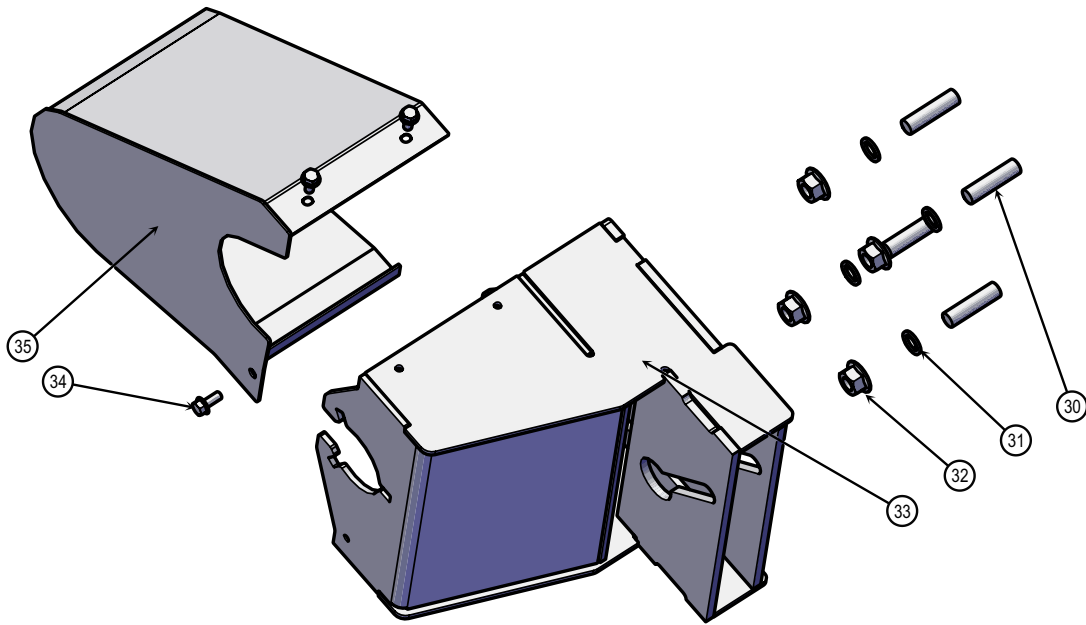
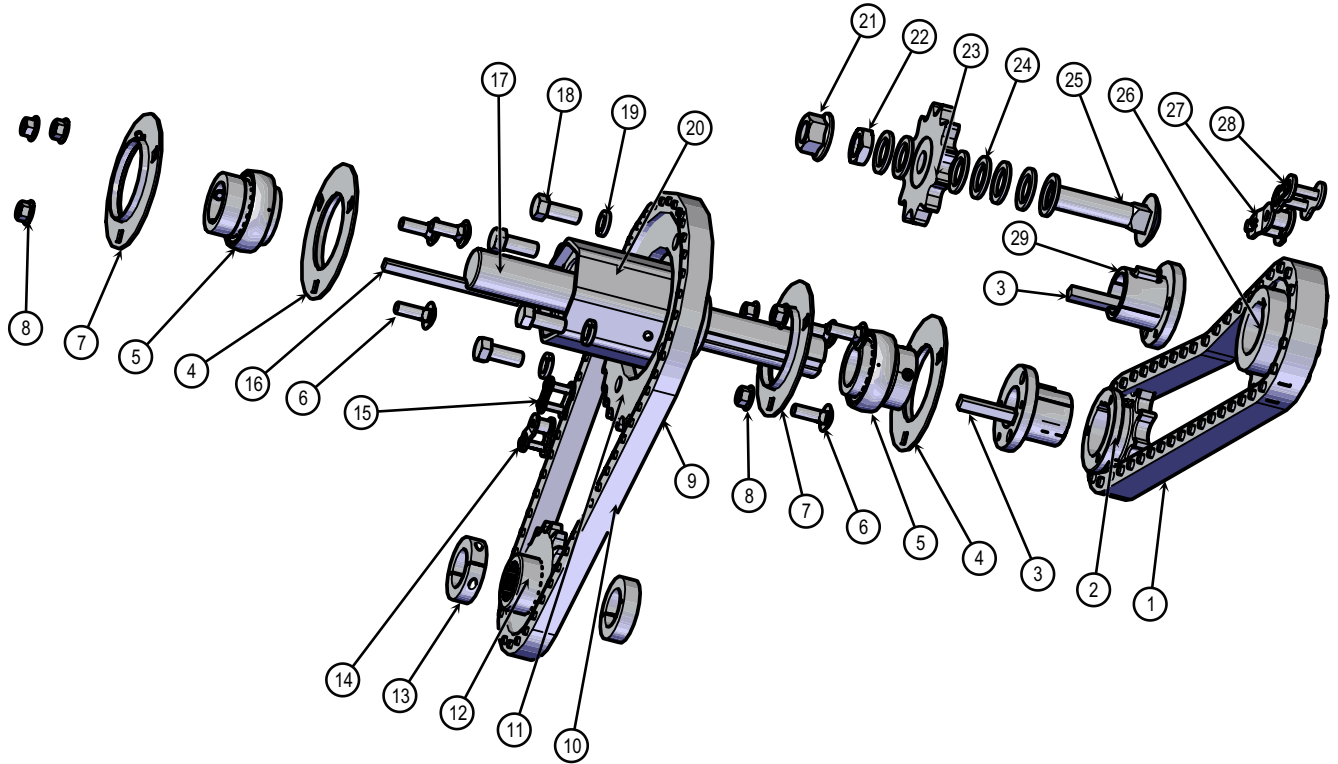
HFA Beater Transition Paddle



HFA Beater Transition Paddle			
BOM ID	Part No.	Qty	Description
1	122.012.080	7	M12X80
2	123.010	6	M10 x 1.5
3	128.012	7	M12x1.75
4	1286321	2	PADDLE,METAL,NARROW
5	1286332	2	SHAFT SEAL
6	153551	2	3-BOLT, 72MM, OUTER
7	153861	2	1-7/16",
8	155.010	6	M10x1.5x42
9	159.012.075	2	M12X75
10	1243691	2	INNER FLANGETTE
11	1251632	1	BEATER SHAFT

Model JH9020 Hillco Leveling System
For Serial Numbers JH9020-22001 thru JH9020-22999

HFA Beater Transition Beater Drive



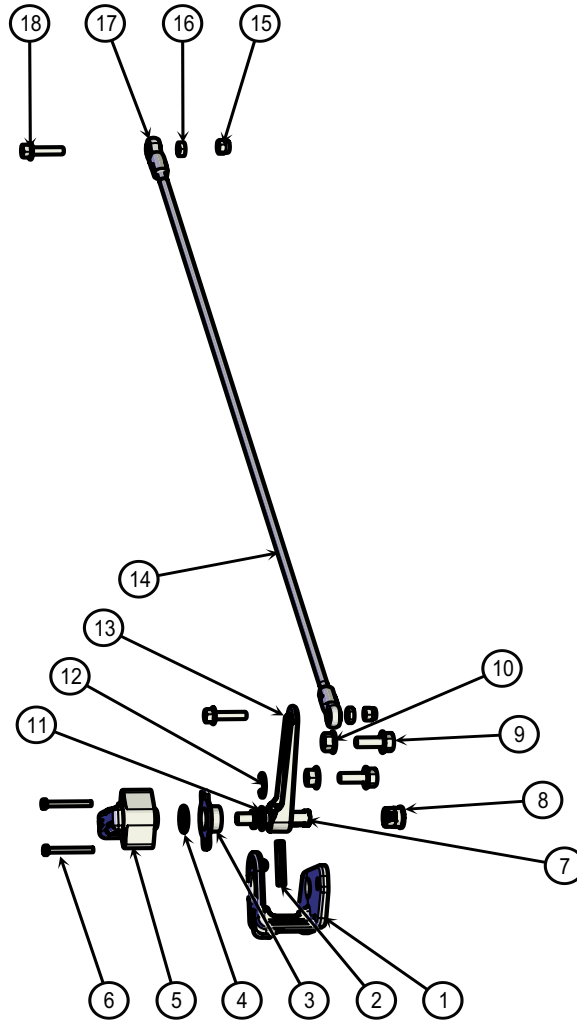
Model JH9020 Hillco Leveling System
For Serial Numbers JH9020-22001 thru JH9020-22999

HFA Beater Transition Beater Drive

HFA Beater Transition Beater Drive			
BOM ID	Part No.	Qty	Description
1	10066.041	1	80PITCH x 41PITCHES, LAMBDA
2	135491	1	80P, 11T
3	10049.06.00032	2	SQ,1018,CD 3/8X2
4	101339	2	FLANGETTE,
5	153861	2	1-7/16",
6	163.010.030	6	M10x30
7	153551	2	3-BOLT, 72MM, OUTER
8	123.01	6	M10 x 1.5
9	158.006.008	1	SCREW,SKT,SET 3/8-16X1/2
10	10271.055	1	CHAIN, 60P,LAMBDA, 55 PITCHES
11	1226532	1	SPROCKET, SLIP CLUTCH
12	1273851	1	DRIVE SPROCKET
13	142001	2	1-3/8 BORE
14	155869	1	LINK, OFFSET, LAMBDA, 60P
15	155870	1	LINK, CONNECTING,LAMBDA 60P
16	10049.05.00080	1	SQ,1018,CD 5/16X5
17	1229142	1	JACK SHAFT
18	167.008.020	4	BOLT,HX,GR8 1/2-20X1-1/4
19	139.008	4	WASHER,LCK,HVY-SPLIT 1/2
20	136921	1	SLIP CLUTCH, RADIAL
21	123.020	1	M20x2.5
22	165.020	1	NUT,HX,JAM,CL8 M20
23	137441	1	80P, 12T, 3/4" BORE
24	133.012	7	WASHER, FLT L9,HD 3/4
25	198.020.090	1	M20X90
26	136151	1	80P,14T
27	142881	1	LINK, OFFSET, 80P, LAMBDA
28	142871	1	LINK, CONNECTING, 80P, LAMBDA
29	135511	2	1-7/16" BORE
30	155.016.060	4	M16X60,
31	133.010	4	WASHER, FLT L9,HD 5/8
32	123.016	4	M16X2.0
33	1357281	1	SLIP CLUTCH TOWER
34	122.008.020	3	M8X20
35	1369531	1	HHFA DRIVE SHIELD

Model JH9020 Hillco Leveling System
 For Serial Numbers JH9020-22001 thru JH9020-22999

HFA Beater Transition Position Sensor



HFA Beater Transition Position Sensor			
BOM ID	Part No.	Qty	Description
1	151321	1	HXE16001
2	201.006.036	1	M6X36
3	hxe19661	1	HXE19661
4	151391	1	JD# P48347
5	151381	1	HALL 2CH +/-120DE
6	170.004.035	2	M4x35
7	hxe19662	1	HXE19662
8	151361	1	JD# R41076
9	122.008	2	122.008.020
10	123.008	2	M8x1.25
11	axe14888_mis03	1	AXE14888
12	axe14888_mis05	1	AXE14888
13	151351	1	ARM, SENSOR
14	10099.04.00460	1	RND,1144,CD 1/4 X 28.75"
15	191.006	2	M6x1.0
16	184.004	2	GR5 1/4-28
17	151881	2	FEMALE, 1/4-28
18	122.006.025	2	M6X25

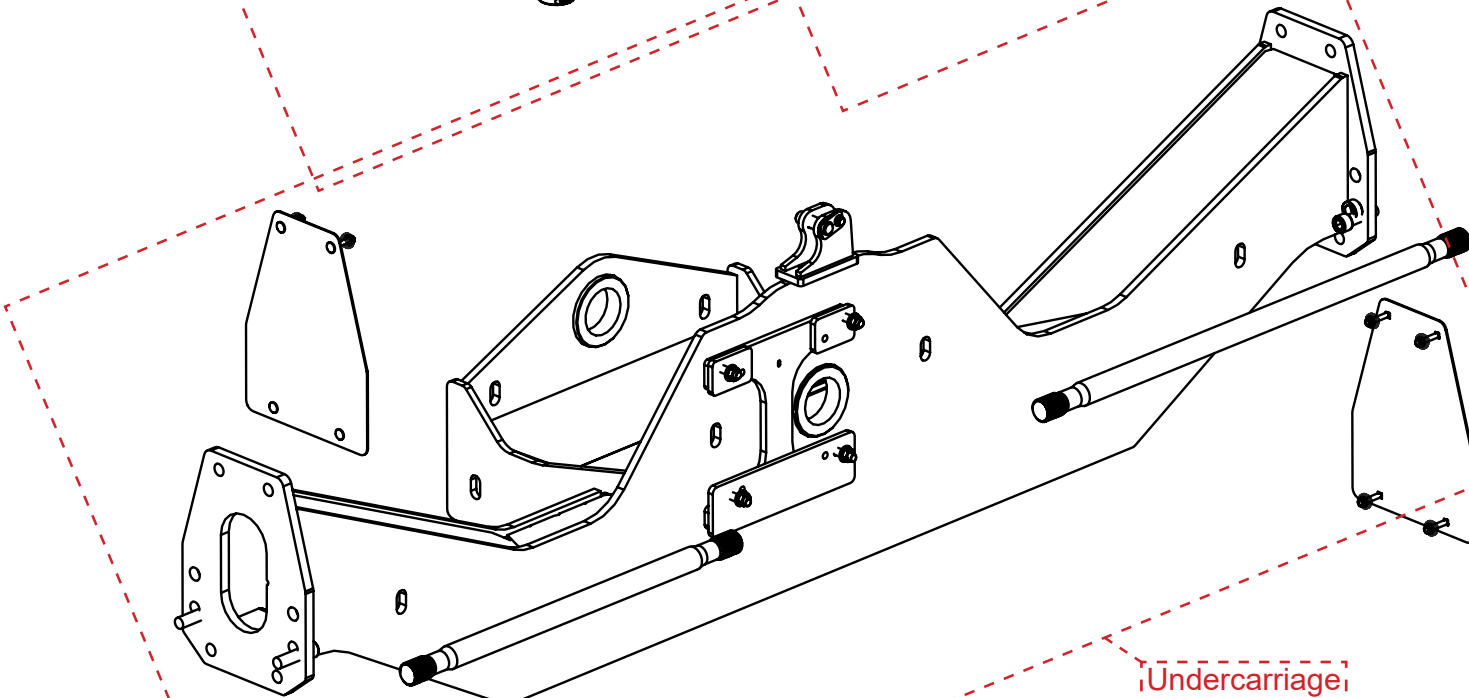
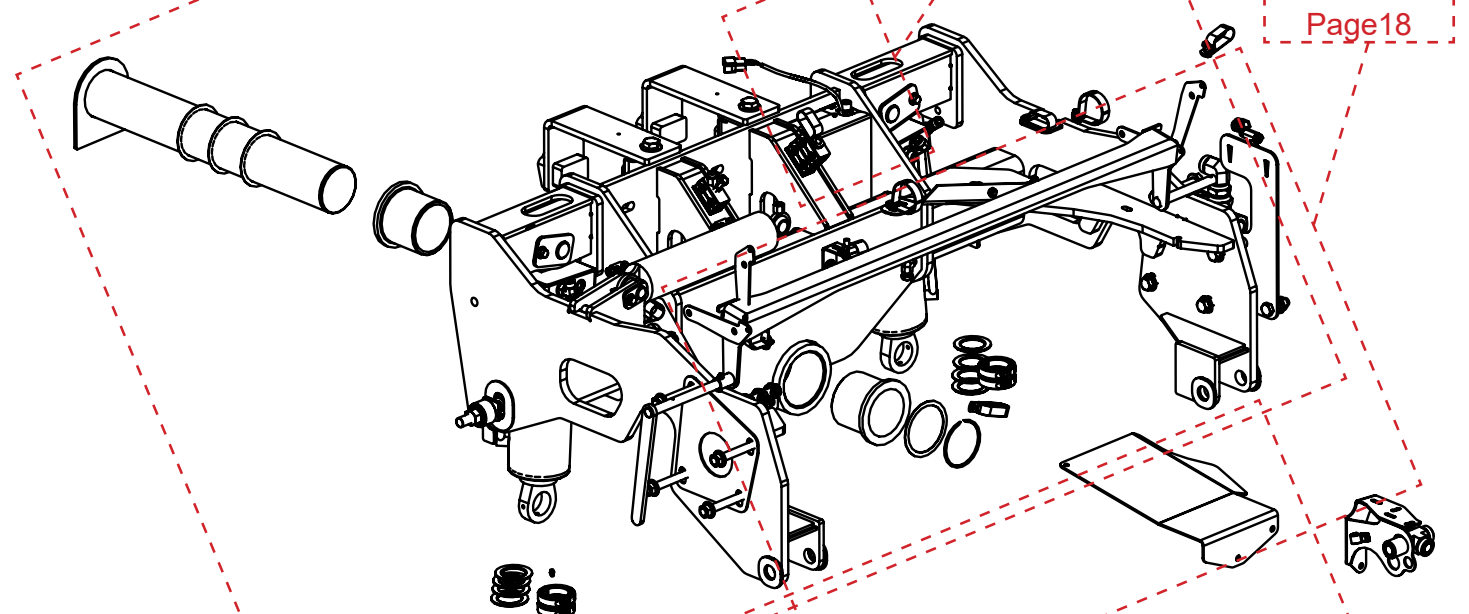
Model JH9020 Hillco Leveling System
For Serial Numbers JH9020-22001 thru JH9020-22999

Carriage

Overcarriage
Page 15

Carriage
Position Sensor
Page 19

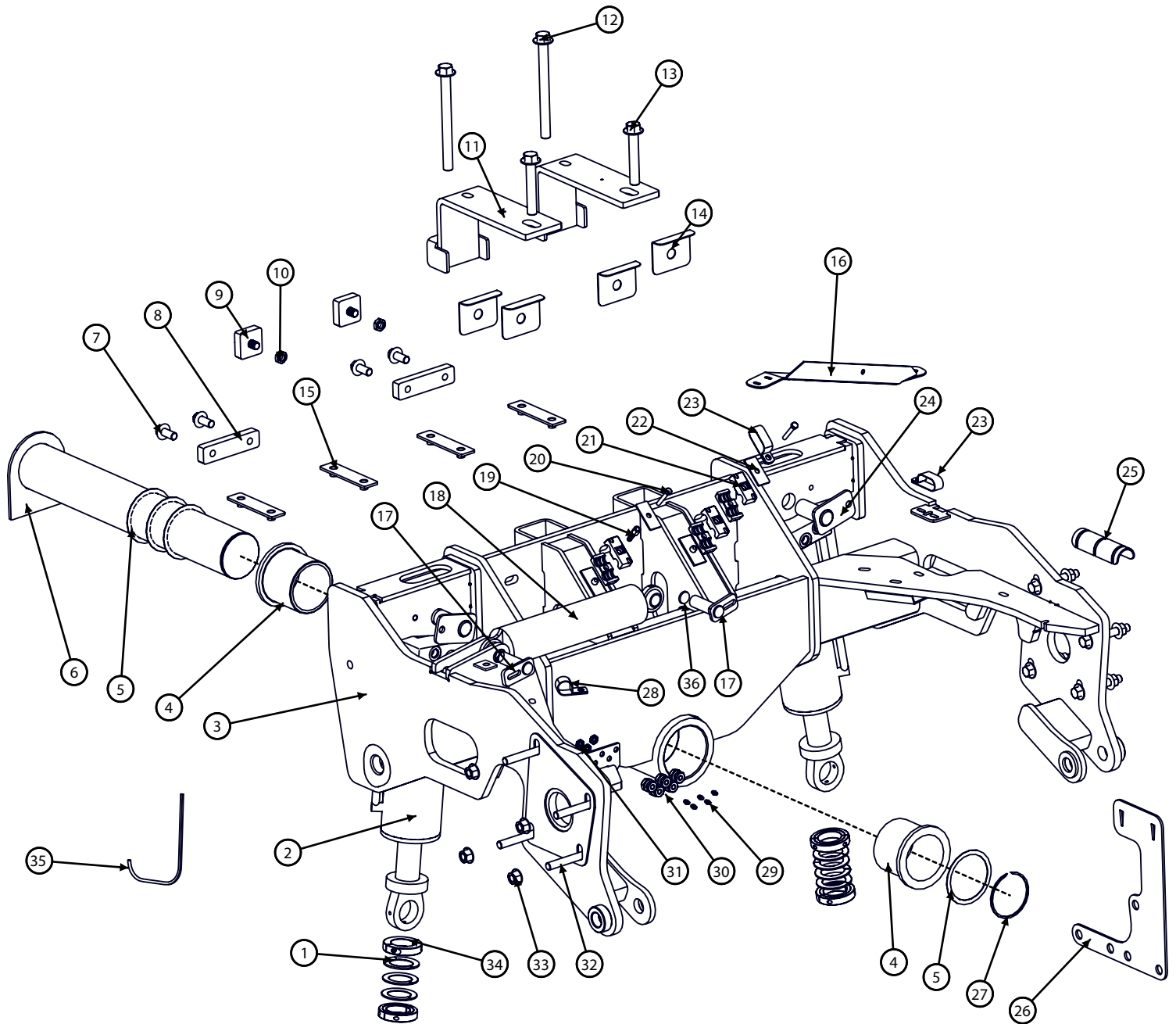
Misc.
Carriage
Parts
Page 18



Undercarriage
Page 17

Model JH9020 Hillco Leveling System
For Serial Numbers JH9020-22001 thru JH9020-22999

Overcarriage

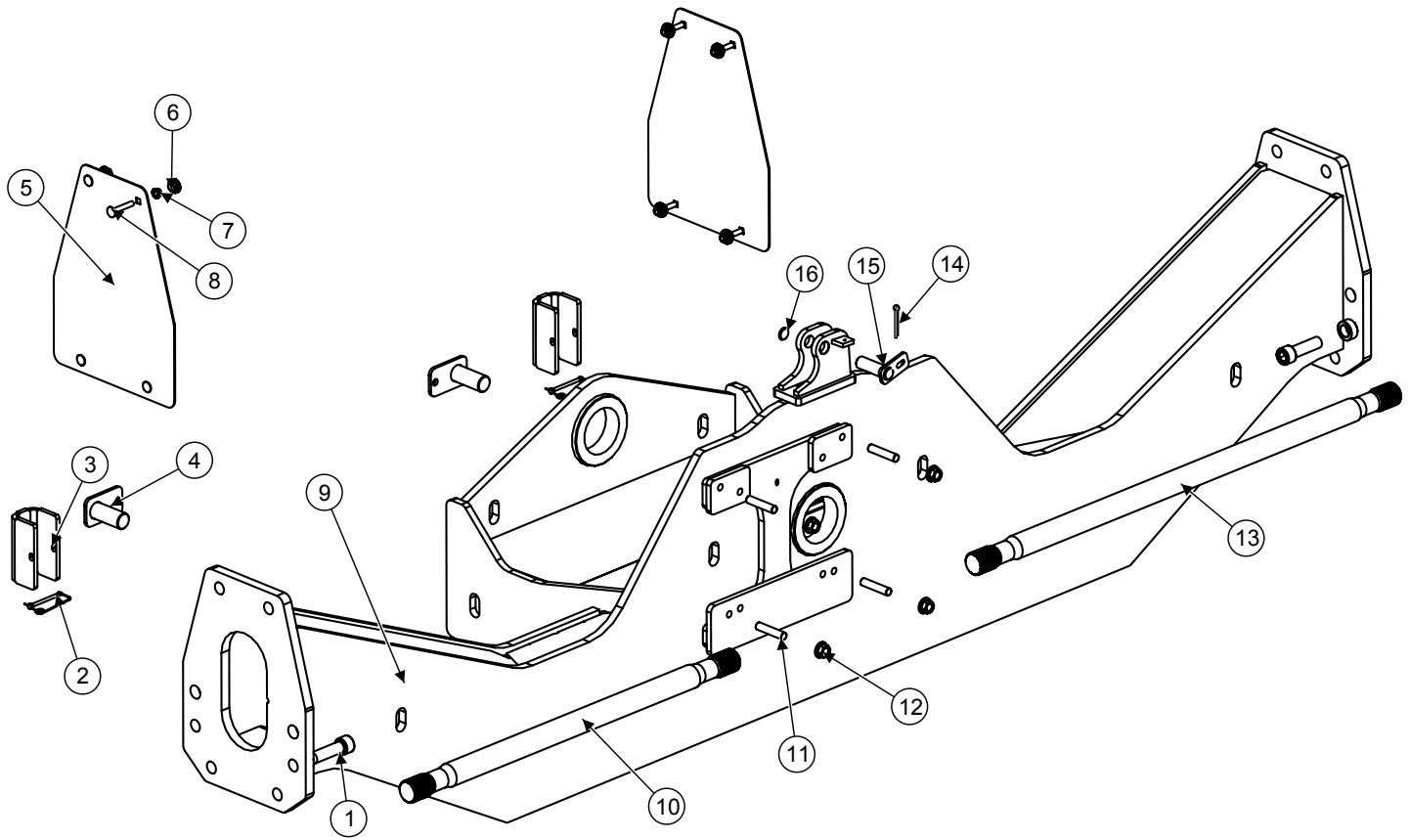


Model JH9020 Hillco Leveling System
For Serial Numbers JH9020-22001 thru JH9020-22999

Overcarriage			
BOM ID	Part No.	Qty	Description
1	137501	8	WASHER, QUICK REPAIR
2	155860	2	CYLINDER, LEVELING, DUAL CB VALVE,
3	1291335	1	OVERCARRIAGE
4	1247961	2	PIVOT BUSHING
5	138641	4	WASHER; 4.016ID X
6	1291351	1	PIVOT PIN
7	122.016.035	4	BOLT,HX,FL,CL10.9 M16X35
8	1291731	2	CARRIAGE LOCK
9	1293581	2	UPPER CARRIAGE SHIM
10	165.016	2	NUT,HX,JAM,CL8 M16
11	1293631	2	AXLE CLAMP
12	122.020.220	2	BOLT,HX,FL,CL10.9 M20
13	122.020.120	2	BOLT,HX,FL,CL10.9 M20
14	1270042	4	CARRIAGE SHIM
15	1293561	4	LOWER CARRIAGE SHIM
16	1274902	1	SUPPORT, HYDRO HOSE
17	1345961	2	CYLINDER PIN, TRIM
18	140342	1	CYLINDER, CROSS PORT
19	155409	1	STACK BOLT, BEHRINGER
20	101.005.028	2	BOLT,HX,GR5 5/16-18 X 1 3/4
21	139481	3	CLAMP, TWIN, BEHRINGER -.620
22	139231	2	COVER PLATE,TWIN
23	147781	2	CLAMP, DOUBLE LOOP
24	1230552	2	PIN, MAIN CYLINDER
25	155254	1	HOSE PROTECTOR, 2.5W X 6"
26	1297822	1	MANIFOLD SPACER
27	138651	1	SNAP RING; 4"
28	151311	1	CLAMP, RC 1-1/4"
29	138011	5	ZERK,STR, 1/4-28MTAPER
30	155157	5	BULKHEAD,GREASE,STR,
31	155158	5	BULKHEAD,LOCKNUT
32	122.016.120	8	BOLT,HX,FL,CL10.9 M16X110
33	123.016	8	NUT,HX,FL,CL10 M16
34	153241	4	COLLAR, CLAMPING
35	10130.00096	1	VINYL EDGE TRIM AROUND HYDRAULIC HOSES
36	148.016	2	SNAP RING; 1"

Model JH9020 Hillco Leveling System
 For Serial Numbers JH9020-22001 thru JH9020-22999

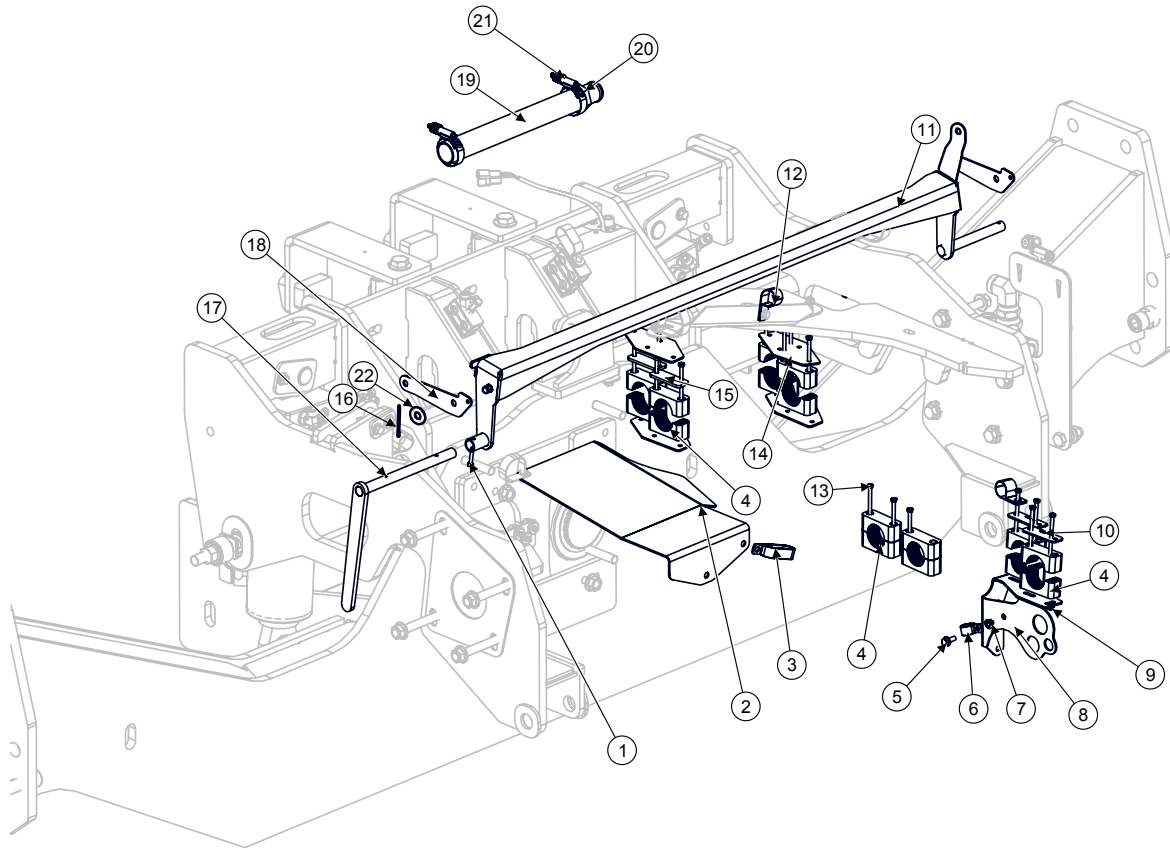
Undercarriage



Undercarriage			
BOM ID	Part No.	Qty	Description
1	159.024.080	4	SHCS 12.9-M24 X 3 X 80 PLT
2	146.004.048	2	SNAP LOCK PIN 1/4 X 3
3	1306721	2	CM PLT, CYLINDER STOP
4	1230552	2	CM PIN ASM, MAIN CYLINDER
5	1293831	2	CM SHT, CAP, AXLE
6	151021	8	BUSHING, PLASTIC (JD#Z31550)
7	123.010	8	FLHN-10.9 M10 X 1.50
8	163.010.050	8	CARR-8.8M10X1.5X50 HEAD SCREW
9	1291432	1	CU WLD, UNDERCARRIAGE, 122.5
10	151531	1	SHAFT, DRIVE 951MM
11	155.016.075	4	STUD, DOUBLE-10.9 M16X2.00X75
12	F-HNF-16ME	4	FLHN-10.9M16X2.0
13	151541	1	SHAFT, DRIVE 1228MM
14	142.004.048	1	BOLT,HX,FL,CL10.9 M10X20
15	1345961	1	CYLINDER PIN, TRIM
16	148.016	2	SNAP RING; 1"

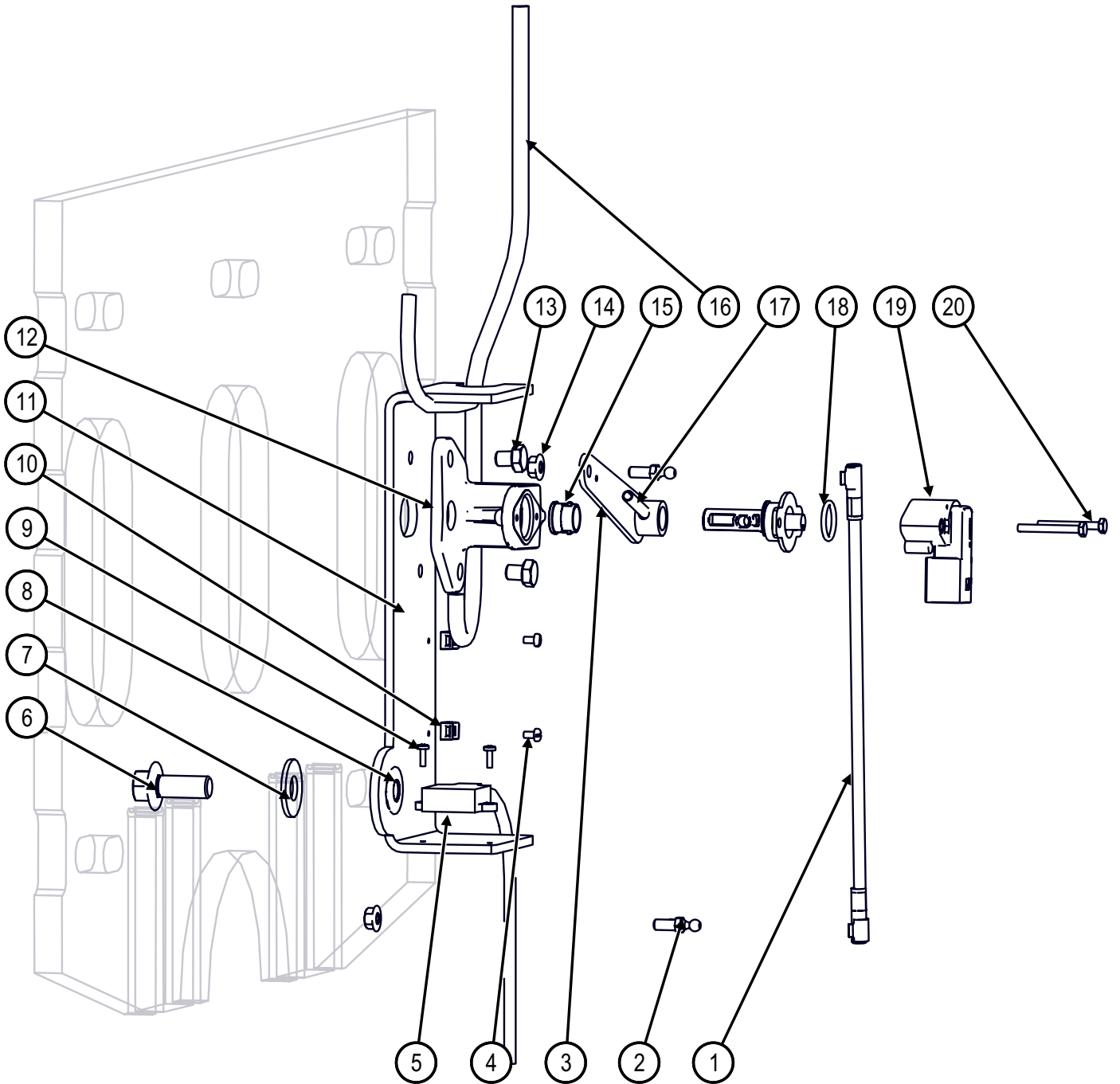
Model JH9020 Hillco Leveling System
For Serial Numbers JH9020-22001 thru JH9020-22999

Carriage Misc. Parts



Overcarriage Misc.			
BOM ID	Part No.	Qty	Description
1	121.006.035	1	HC-10.9 M6x1.0X35
2	1274252	1	HM PLT, TABLE HYDRO HOSE
3	1151781	1	CLAMP, P-STYLE (JD#AH77884)
4	15571	8	CLAMP, TUBE, 1-3/4" BEHRINGER STD
5	122.008.025	1	BOLT,HX,FL,CL10.9 M8X25
6	135791	1	CLAMP, HOSE 7/8 R/C W 3/8HOLE (JD#AH78237)
7	123.008	1	FLHN-10.9M8X1.25
8	1297312	1	LM WLD, HYDRO HOSE SUPPORT
9	123.006	4	NUT,HX,FL,CL10 M6
10	140651	2	BEHRINGER STD COVER PLATE
11	1264512	1	LM ASM, LINKAGE, ROCK TRAP
12	143601	2	CLAMP, HOSE 1-1/8" R/C W 3/8
13	170.006.090	15	BOLT,HX,CL8.8 M6X90
14	1274231	4	HM PLT, HYDRO HOSE SUPPORT
15	1276391	2	HM CLAMP SPACER
16	142.002	1	PIN, COTTER 1/8"x2"
17	1264501	1	HANDLE, ROCK TRAP
18	1290742	2	LM SHT, ROCK TRAP LINKAGE, UPPER
19	1276351	1	HOSE, 1-1/2" BELLOWSFLEX HARDWALL 14"
20	1063.24.24	1	UNION, -24MB x -24MB
21	152061	3	CLAMP, HOSE, WORM GEAR, 1.5" TO 2.5"
22	105.008	2	WASHER, FLAT 1/2

Carriage Position Sensor



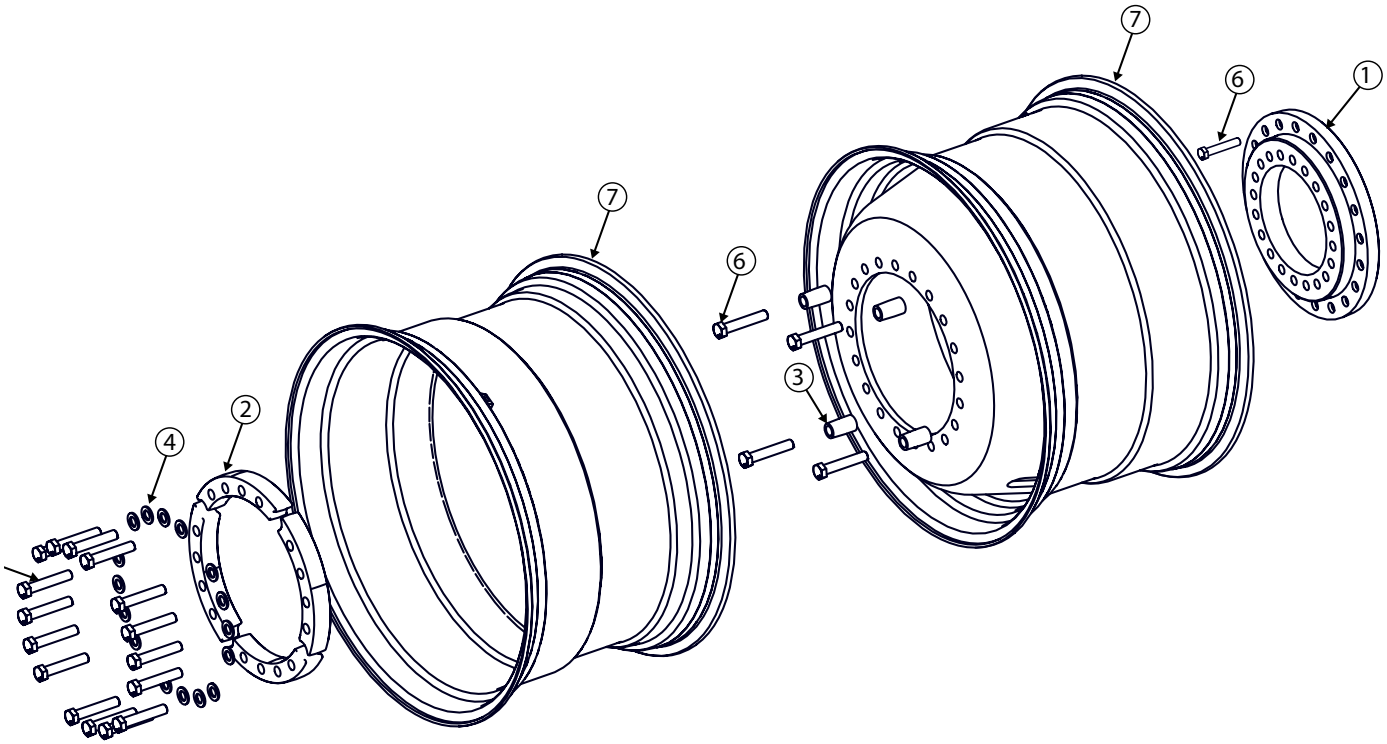
Model JH9020 Hillco Leveling System
For Serial Numbers JH9020-22001 thru JH9020-22999

Carriage Position Sensor

BOM ID	Description	Qty	Description
1	Clip	1	AH160510
2	151341	1	(H168732)
3	151371	1	(AXE17303)
4	115.#06.008	1	SCREW,PHM,SH 6-32X1/4
5	1347142	1	CLINOMETER, MEMS, DUAL AXIS, 12VDC
6	122.012.030	1	M12X30
7	105.008	1	1/2"
8	123.012	1	M12x1.75
9	114.#06.006	1	6-32X3/8
10	153641	1	CABLE TIE MOUNT,
11	1347292	1	SENSOR MOUNT
12	151321	1	(JD#HXE16001)
13	178.008	2	M8X10
14	123.006	1	M6 X 1.0
15	151361	1	(JD#R41076)
16	1347161	1	SENSOR PACKAGE
17	201.006	1	M6X36
18	151391	1	(JD#P48347)
19	151381	1	HALL 2CH +/-120DE
20	170.004.035	1	M4x35

Model JH9020 Hillco Leveling System
 For Serial Numbers JH9020-22001 thru JH9020-22999

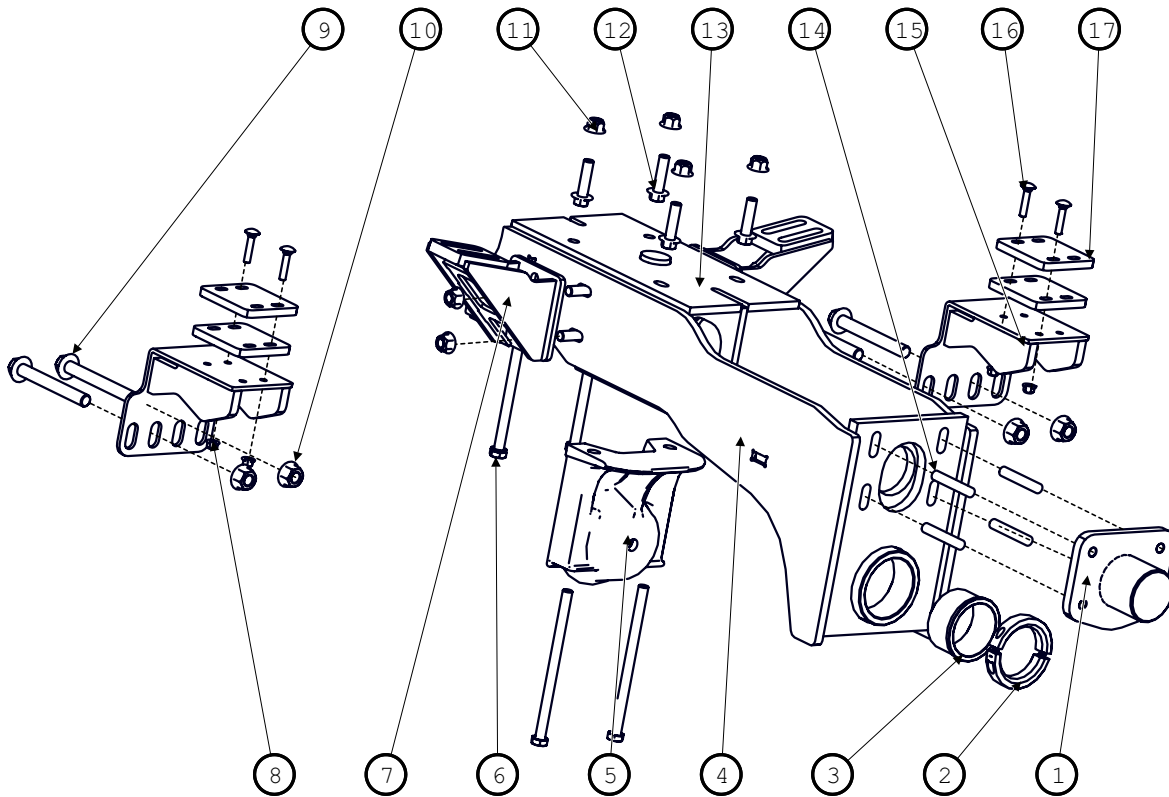
DRIVE WHEEL



38" Wheel & Adapter (QTY/SIDE)			
BOM ID	Part No.	Qty	Description
1	155937	1	ADAPTER, HUB 20-18.504 - 16.48
2	155936	4	SEGMENT, CAST
3	155935	4	SPACER, M24, TAPERED
4	155934	16	WASHER, M24, HARDENED STEEL
5	155933	20	BOLT, HEX, CL10.9 M24X3.0X130
6	HXE110758	20	BOLT, HEX FLANGE, MJ22X2.5X150, 10.9
7	155949	2	WHEEL, YELLOW
NS	155947	1	WHEEL, 26 X DW25B, 8-10.827BC, 8.725PILOT

Model JH9020 Hillco Leveling System
 For Serial Numbers JH9020-22001 thru JH9020-22999

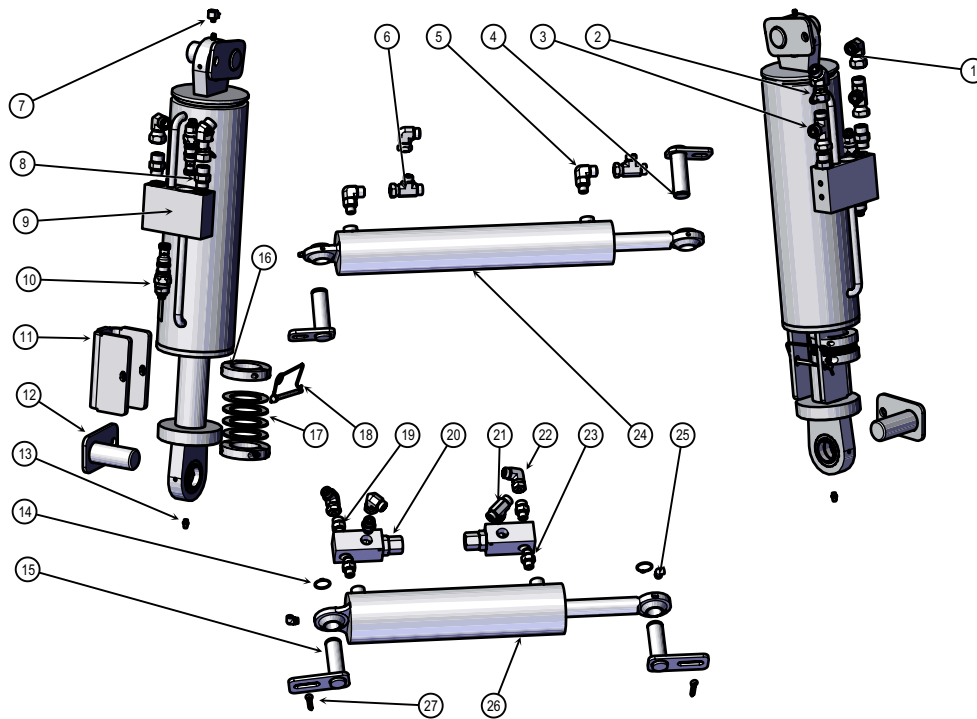
DROP AXLE



Drop Axle			
BOM ID	Part No.	Qty	Description
1	1291071	1	PIVOT PIN
2	145491	1	COLLAR, CLAMPING 3-1/2 X 4-3/4
3	1235092	1	BUSHING, PIVOT
4	1291022	1	DROP AXLE
5	152471	1	STAND-OFF, REAR AXLE
6	121.016.250	4	M16X250
7	1313541	2	WING
8	128.010	4	NUT,HX,FL,STV,CL10 M10
9	122.020.160	4	M20x160
10	123.020	4	NUT,HX,FL,CL10 M20
11	128.016	8	NUT,HX,FL,STV,CL10 M16X2.
12	122.016.060	4	M16X60
13	122.016.050	4	M16X50
14	155.016.090	4	STUD,DBL-END,CL10.9 M16X90
15	1299792	2	ROTATION STOP
16	163.010.050	4	M10x50
17	1299892	4	ROTATION STOP 16°

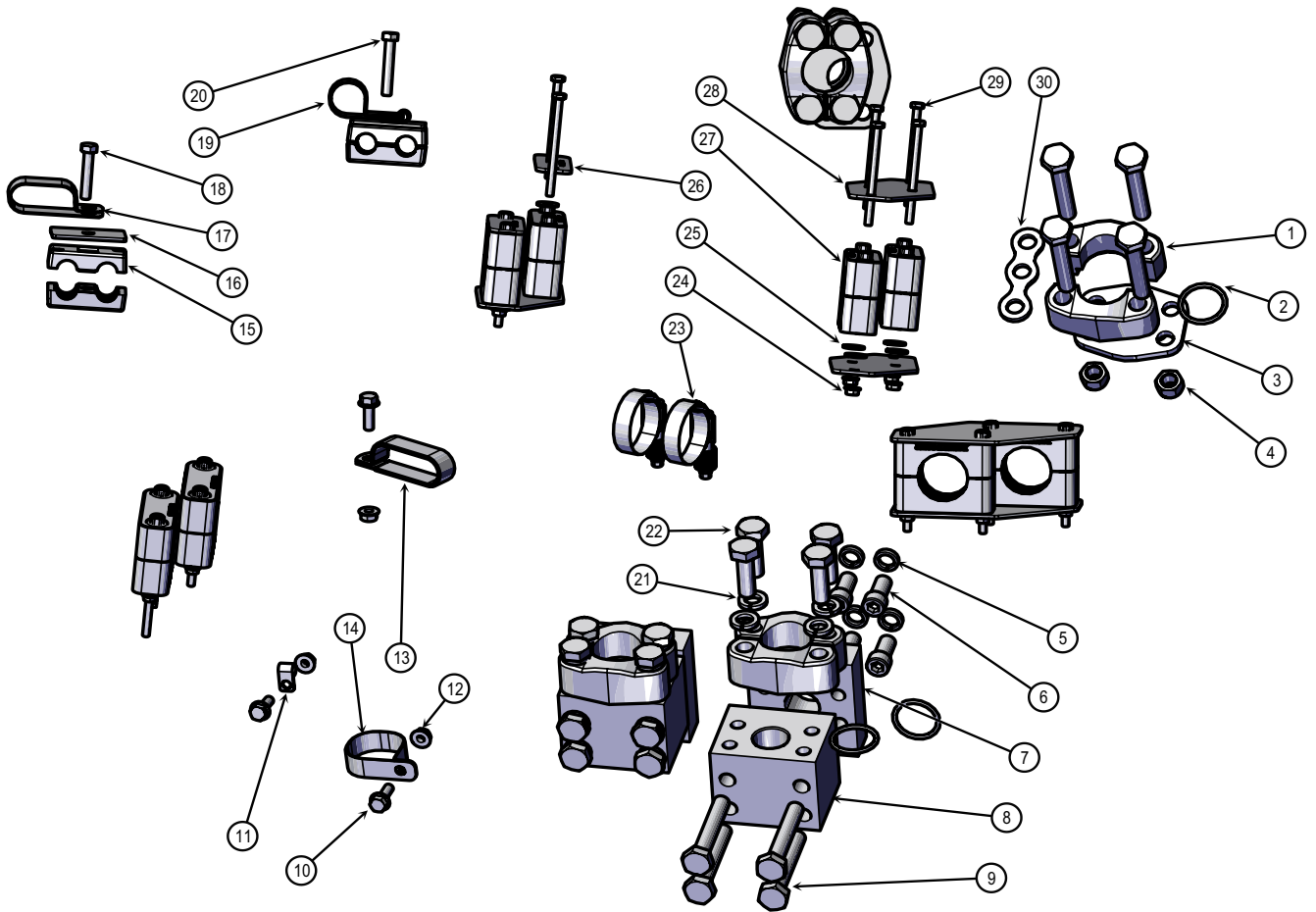
Model JH9020 Hillco Leveling System
For Serial Numbers JH9020-22001 thru JH9020-22999

Hydraulic Components



Hydraulic Components			
BOM ID	Part No.	Qty	Description
1	1006.08.08	2	HA, 90° -8FORFS X -8MORFS
2	1005.08.08	2	-6FORFS X -6MORFS
3	1008.08	2	SWV,NUT,RUN -8ORFS
4	1253884	2	CYLINDER PIN,
5	1003.06.06	2	-6MORB X -6MORFS
6	1008.06	2	SWIVEL NUT, RUN, -6ORFS
7	135761	2	1/4-28 MALE X 1/8 FPT 45 DEG
8	1001.08.08	4	HA,STR -8MORB X -8MORFS
9	155860	2	4-1/2 BORE, 11" STROKE, 22.5" CPC
10	155593	4	COUNTERBALANCE VALVE T11 CAVITY, 5K PSI
11	1293721	2	CYLINDER STOP
12	1230552	4	PIN, MAIN CYLINDER
13	138011	2	1/4-28MTAPER
14	148	2	EXT 1"
15	1345961	2	CYLINDER PIN,
16	153241	4	2"IDx3"OD
17	137501	8	3"ODx2"IDx1/8T
18	146.004.048	2	PIN,SNAP,LCK 1/4X3
19	1001.06.06	3	-6MORBx-6MORFS
20	155770	2	RELIEF VALVE ASM
21	1009.06	1	STR THD, BRANCH,
22	1006.06.06	4	COUNTERBALANCE VALVE -6FORFS x -6MORFS
23	1027.06.06	2	-6MORBx-6MORB
24	147491	1	CYLINDER, SLAVE, 21" CPC 12-1/2" STROKE, 2-1/2" BORE
25	135771	2	ADAPTER,GREASE,90°
26	140342	1	CYLINDER,MASTER 3"B,8-3/4"S,1-3/8"R,17-1/4CPC
27	142.004.016	2	PIN, COTTER 1/4" X 1"

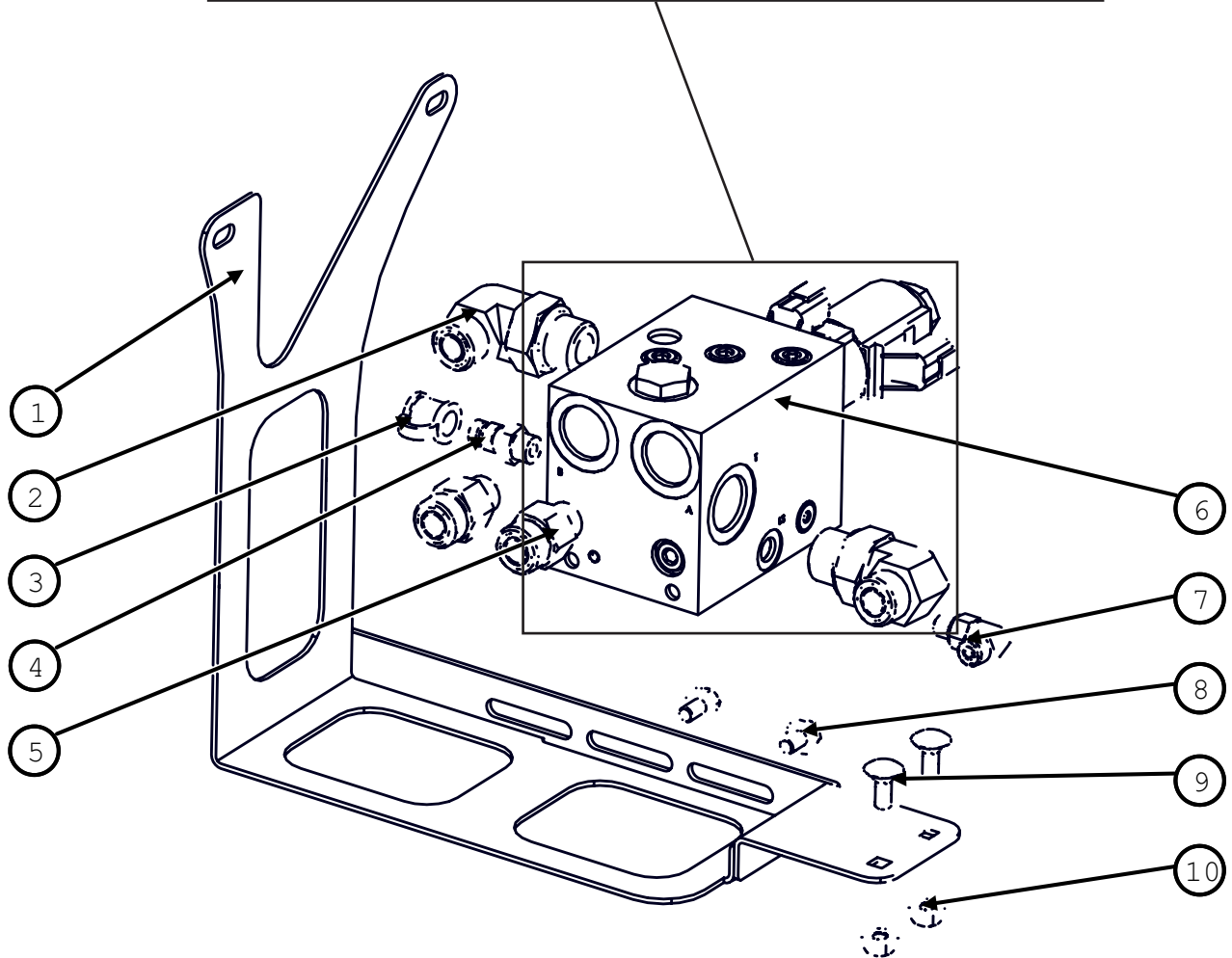
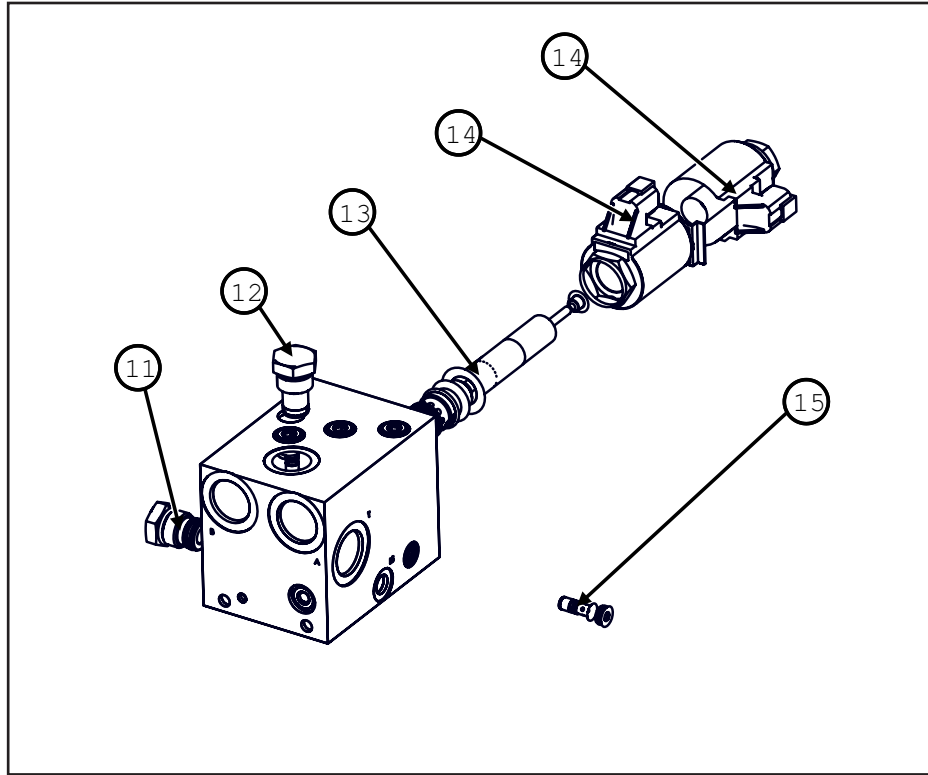
Model JH9020 Hillco Leveling System
For Serial Numbers JH9020-22001 thru JH9020-22999



Model JH9020 Hillco Leveling System
For Serial Numbers JH9020-22001 thru JH9020-22999

Code 62			
BOM ID	Part No.	Qty	Description
1	147611	8	FLANGE, CODE 62, -20
2	147621	8	O-RING, CODE 62
3	1272161	2	HM PLT, CODE 62 1-1/4 UNION
4	126.014	8	NUT,HX,STV,CL10 M14
5	135.009	8	WASHER,LCK,HIGH COLLAR 9/16
6	159.014.030	8	SCREW,SHC,CL12.9 M14
7	LM-272092	2	CODE 62 90° 1-1/4 ROTATIONAL ADAPTER
8	LM-272082	2	HM BLOCK, CODE 62 1-1/4 90°
9	121.014.090	16	M14X90
10	122.008.025	3	M8X25
11	142101	2	LOOP, CLOSED, .375", R/C
12	123.008	4	NUT,HX,FL,CL10 M8
13	151781	1	1" W/3/8"HOLE
14	135781	1	2" R/C W/3/8 HOLE
15	139431	2	PAIR, 3/4"
16	139451	2	TWIN
17	147781	1	CLAMP 1/4" DOUBLE LOOP 3/8HOLE
18	101.005.028	1	5/16-18X1-3/4
19	136011	1	CLAMP R/C 3/8H 3/4T
20	101.005.032	1	5/16-18X2
21	139.009	16	WASH, LCK, HVY-SPLIT 9/16
22	121.014.045	8	M14X45
23	152061	2	1.5" TO 2.5"
24	123.006	18	NUT,HX,FL,CL10 M6
25	105.004	16	WASHER,FLT 1/4
26	140651	2	PLATE, COVER, GRP 6,
27	155171	8	1-3/4" (PAIR OF CLAMP HALVES)
28	1274231	5	HYDRO HOSE SUPP0RT
29	170.006.090	16	BOLT,HX,CL8.8 M6X90
30	1274391	1	HYDRO HOSE SPACER

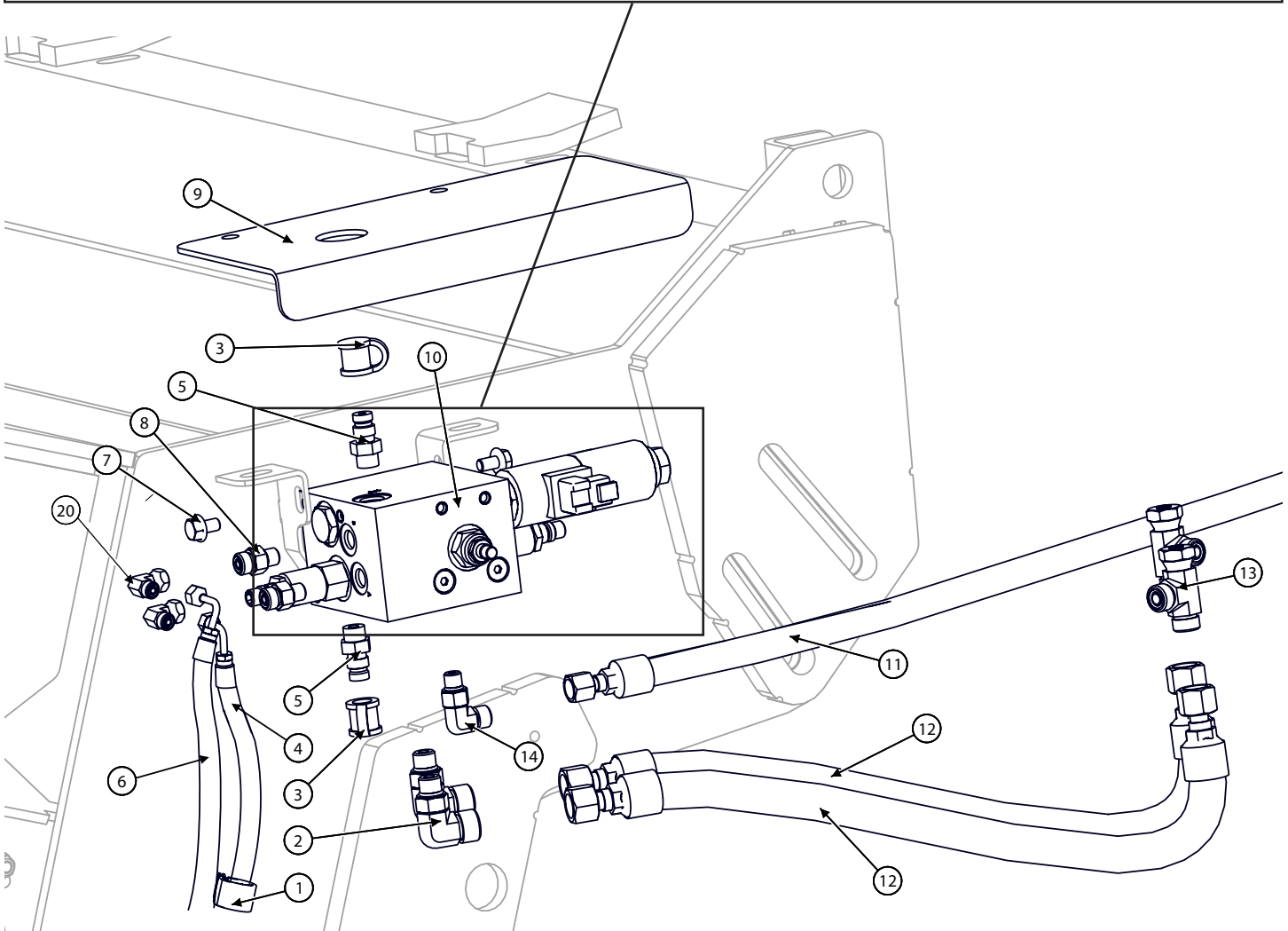
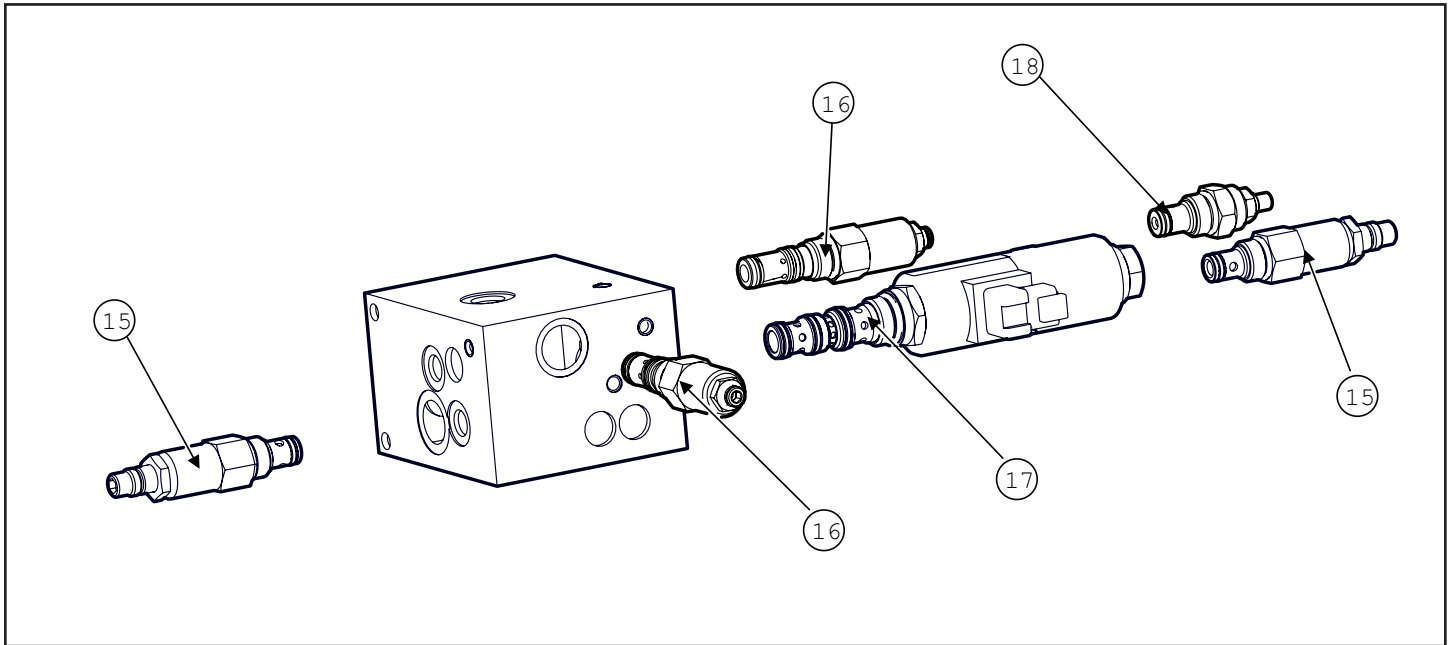
Leveling Manifold



Model JH9020 Hillco Leveling System
For Serial Numbers JH9020-22001 thru JH9020-22999

Leveling Manifold			
BOM ID	Part No.	Qty	Description
1	1313601	1	MANIFOLD MOUNT
2	1003.12.10	2	HA,90°, -12MORB X -10MORFS
3	144001	1	DUST COVER
4	143991	1	COUPLER,
5	1001.12.10	2	-12MORB X -10MORFS
6	1343021	1	HIGH-FLOW (COMATROL P/N11191146)
7	1003.04.04	1	HA,90°
8	111.005.008	2	BOLT,HX,FL,GR5 5/16-18X1/2
9	163.008.020	2	BOLT,CARR,CL8.8 M8X20
10	123.008	2	M8x1.25
11	155234	1	CAVITY PLUG, 3 WAY, 10 SERIES
12	155238	1	CAVITY PLUG, 2 WAY, 10 SERIES
13	155855	1	CARTRIDGE VALVE,3 POS,4 WAY, PROPORTIONAL, 16GPM
14	155854	2	SOLENOID COIL,M19,PROP,DEUTSCH
15	155236	1	CHECK VALVE, REVERSE DIRECTION

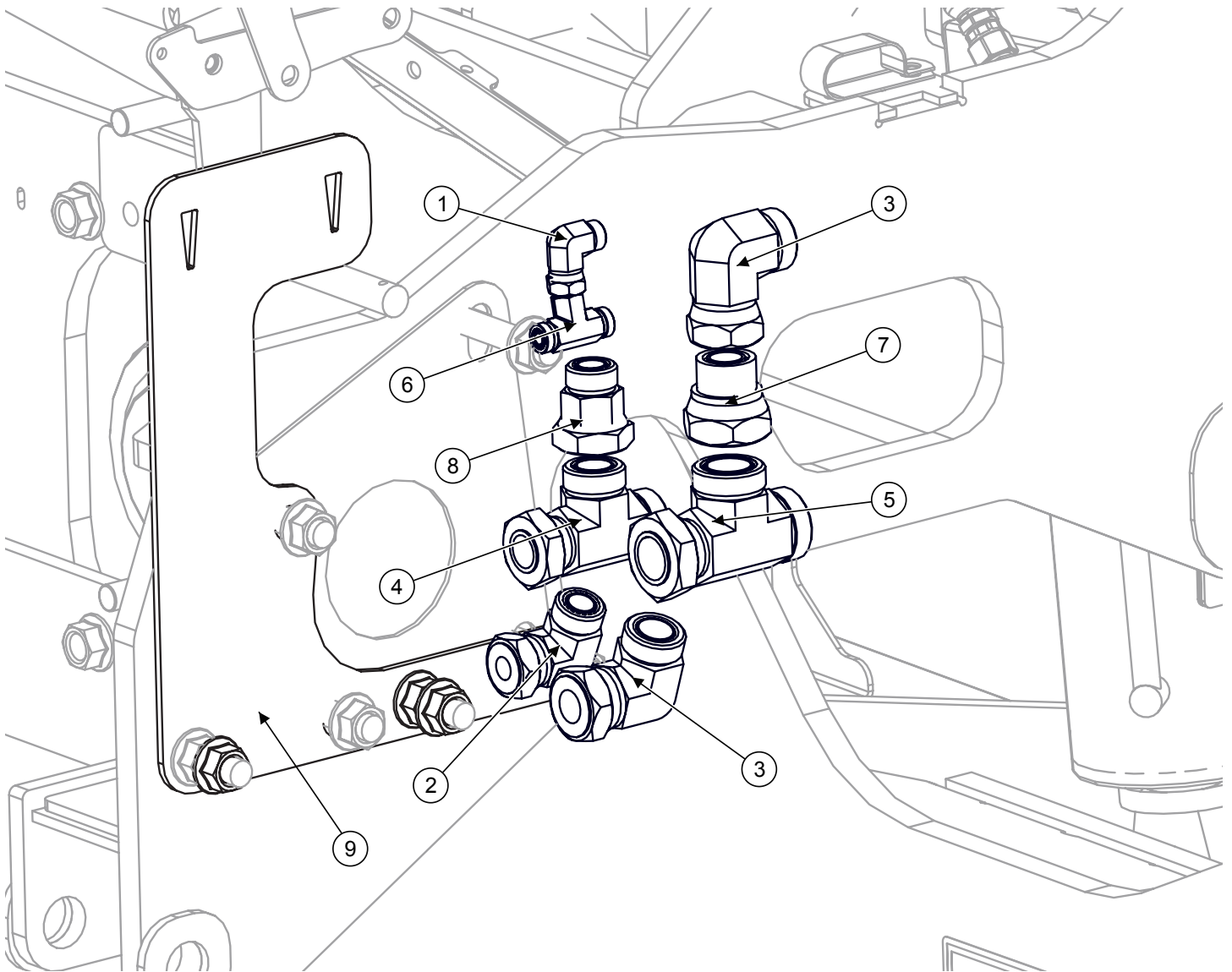
Header Trim Manifold



Model JH9020 Hillco Leveling System
For Serial Numbers JH9020-22001 thru JH9020-22999

Header Trim Manifold			
BOM ID	Part No.	Qty	Description
1	135791	2	CLAMP, HOSE
2	1003.08.06	2	-8MORB X -6MORFS
3	144001	2	DUST COVER
4	1322112	1	100R17-04 67",
5	143991	2	COUPLER,
6	1322101	1	100R17-04X80",
7	111.005.008	2	BOLT,HX,FL,GR5 5/16-18X1/2
8	1001.04.04	2	HA,STR
9	1316464	1	SHIELD, TRIM SHIELD
10	1331781	1	MANIFOLD, CUSTOM, TRIM
11	1320721	1	100R17AR-04X138",
12	1320711	2	100R17AR-06X38",
13	1008.06	2	SWIVEL NUT, RUN, -6ORFS
14	1003.04.04	1	HA,90°
15	155243	2	CARTRIDGE, PRESSURE RELIEF,
16	155742	2	CARTRIDGE, COUNTERBALANCE CP08-3L CAVITY
17	155249	1	CARTRIDGE VALVE, 3 POS,4 WAY (INCLUDES 155248)
18	HC-145501	1	VALVE, NEEDLE
19	155248	2	SOLENOID COIL, CARTRIDGE, PROP
20	1006.04.04	2	-4FORFS X -4MORFS 90°

John Deere Header Lift Manifold Fittings

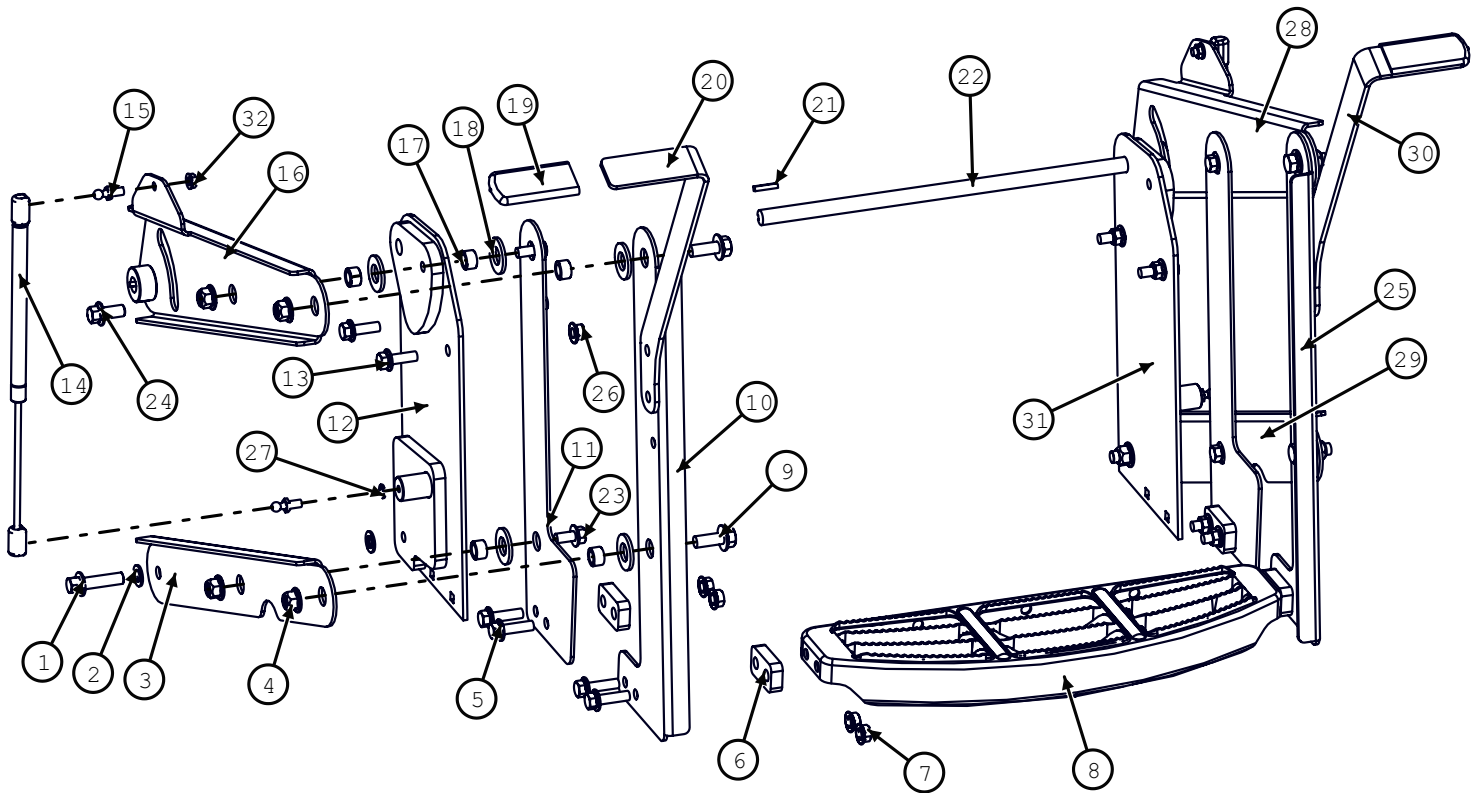


John Deere Header Lift Manifold Fittings			
BOM ID	Part No.	Qty	Description
1	1006.06.06	1	ELBOW, 90°, -6FF x -6MF
2	1006.12.12	1	ELBOW, 90°, -12MF x -12FF
3	1006.16.16	2	ELBOW, 90°, -16MF x -16FF
4	1008.16	1	TEE, SWIVEL NUT, RUN, #16
5	1008.20	1	TEE, SWIVEL NUT, RUN, #20
6	1008.06	1	TEE, SWIVEL NUT, RUN, -6FF x -6MF
7	1004.20.16	1	STR, -20FF x -16MF
8	1004.16.12	1	STR, 16FF x 12MF
9	1297821	1	MANIFOLD SPACER

Model JH9020 Hillco Leveling System
For Serial Numbers JH9020-22001 thru JH9020-22999

Hydraulic Hoses			
Part No.	Qty	Where Used	Description
1138964	1	Connects Pivot tube to BH	HH ASM,HLB -02X54", -02MP STR SWVL X 1/8 -27NPSM STR
1138953	2	Connects RH Leveling cylinder and Transition pivot pin to BH	HH ASM,HLB -02X40" -02MP SWVL STR X 1/8-27NPSM STR
1138954	1	Connects Rod end of Slave Cylinder to BH	HH ASM,HLB -02X50" -02MP SWVL STR X 1/8-27NPSM STR
1138975	2	Connects Rod end of Master Cylinder and Left Leveling Cylinder to BH	HH ASM, HLB -02X68" -02MP STR SWVL X 1/8-27NPSM STR
1138944	1	Connects Master Cyl Base to BH	HH ASM, HLB-02X33-1/2", -02MPSWVL STR X 1/8-27NPSM STR
1152451	1	CONNECTS YELLOW PORT TO SLAVE CYL BASE PORT ON STOCK CM EQUIPPED COMBINES	100R17AR-04X80",
1152461	1	CONNECT C/M BLUE PORT TO ROD PORT ON STOCK CM EQUIPPED COMBINES	100R17AR-04X70",
1273461	2	Extend Steer Hoses	100R17AR-06X15",
1273462	2	Replaces AH223259; Connect Proportionator Case Drain to Transmission	100R17AR-08X62",
1274141	1	Reverse Hydro Hose	797TC-20 X 124",
1295602	2	Leveling Manifold to Leveling Cyl	100R17AR-10X103",
1295882	1	Connects Master Cyl to Slave Cyl	451TC, 3/8" X 195"
1152451	1	Connects Yellow Port to Slave Cyl Base Port	HH ASM, 100R17AR -04 X 80"
1152461	1	Extends AH226085 to Proportionator Pump Supply	100R17AR-12X66",
1273461	1	Replaces AH219243; Connects Rear Filter Port to Proportionator Motor Return	100R17AR-10X127",
1273462	1	Extends AH226119 to the Trans Lube	100R17AR-06X31",
1297641	1	Extends Right Brake Hose	100R17AR-06X78",
1297651	1	Extends Left Brake Line; Extends Lube Line	100R17AR-06X60",
1297842	1	Return, Manifold to Tee	451TC, 3/4 X 60"
1297852	1	Pressure, Manifold to Tee	451TC-5/8" X 66"
1297863	1	Load Sense, Manifold to Tee	100R17AR-04X138",
1297922	1	Replaces JD Hose; Connects Manifold to Tee	100R17AR-12X91",
1297933	1	Replaces Left Header Lift Pressure Hose	451TC, 3/4" X 44",
1298291	1	Extends ProDrive Case Drain	100R17AR-16X36",
1298322	1	Replaces Right Header Lift Pressure Hose	451TC, 3/4"X42",
1298331	1	Replaces the Header Lift Pressure Hose	451TC, 1"X 90",
1299191	1	Extends JH Hose to Shift Block	100R17AR-04X15",
1305181	1	Replaces Forward Hydro Hose	797TC-20 121",
1320711	2	CONNECT "P" & "T" PORTS OF TRIM MANIFOLD TO JD MANIFOLD	100R17AR-06X38",
1320721	1	TRIM MANIFOLD LOAD SENSE TO JD HDR LIFT MANIFOLD	100R17AR-04X138",
1322101	1	CONNECTS "B" PORT TO SLAVE CYLINDER BASE PORT	100R17-04X80",
1322112	1	CONNECTS ROD PORT TO A PORT OF TRIM MANIFOLD	100R17-04 67",
1331391	1	Connects Master Cyl Base Port to Slave Cyl Base Port	451TC, 3/8" X 175"
1348501	1	EXTENDS PROPORTIONATOR MOTOR SUPPLY HOSE	100R17AR-08X60",
1353021	1	Connects Left Leveling Cyl to Right Leveling Cyl	100R17AR -06X65" -8FORS STR X -8FORS 90° D29MM
1353031	1	Connects Left Leveling Cyl to Right Leveling Cyl	100R17AR-06x56", -8FORS STR x-8FORS 90°D29MM
1364341	1	Connect Base Port Relief to Rod Port Relief	100R17AR-04x8-9/16" -6FORS STR,-6FORS STR
1364351	1	Connects Rod Port Relief to Leveling Manifold Tank Port	100R17AR-04x115-3/4"-6FORS STR,-4FORS 90°D21MM

RETRACTABLE LADDER

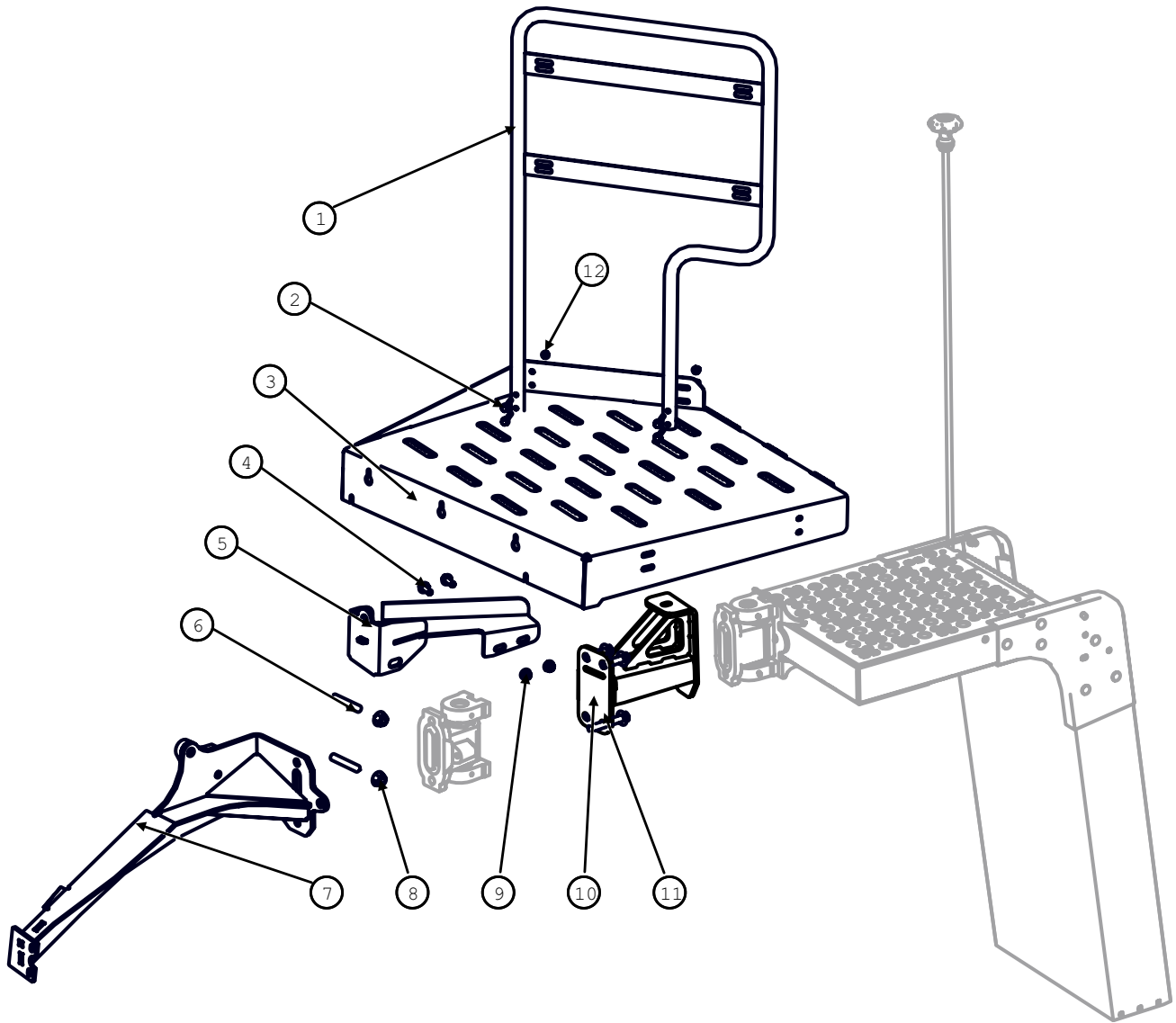


Model JH9020 Hillco Leveling System
For Serial Numbers JH9020-22001 thru JH9020-22999

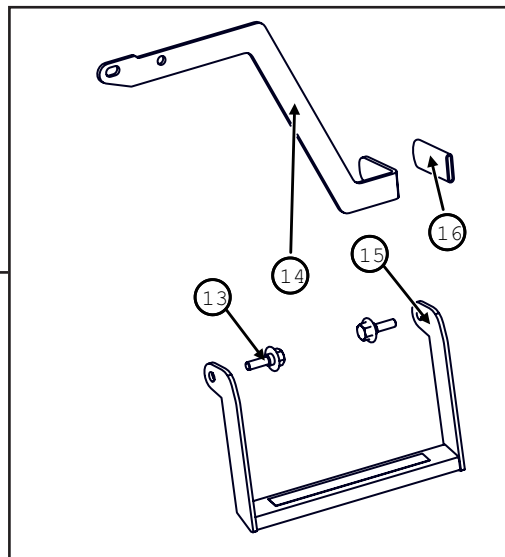
Retractable Ladder

BOM ID	Part No.	Qty	Description
1-32	P500971	1	ASSEMBLY, MOVING STEP (HILLSIDE)
1	122.012.045	2	FLHC-10.9M12X1.75X45
2	162.014.008	4	MACHINE BUSHING 14GA NR 1/2ID
3	1329802	1	LM LINK, LWR RIGHT PARALLEL
4	128.012	10	FLHN-10.9M12X1.75 STVR
5	122.010.035	8	SCREW, FLANGED HEX CAP, 10.9
6	1300191	4	LM SPACER, STEP
7	123.010	12	FLHN-10.9 M10 X 1.50
8	152601	1	STEP, PLATFORM, STEP (HXE19816)
9	122.012.030	4	FLHC-10.9 M12X1.75X30
10	1330281	1	LM PLT, VERTICAL OUTER RIGHT
11	1300112	2	LM LINK, VERTICAL INNER
12	1300061	1	LM WLD, RHT LADDER MNT
13	122.010.030	4	FLHC 10.9 M10 X 1.5 X 30
14	155327	2	STRUT, LIFT, 100LB, 15OPC, 6" STROKE
15	134931	4	LIFT SUPPORT BRACKETS (PAIR)
16	1329781	1	LM WLD, TOP RIGHT LINK
17	1299181	10	LM BUSHING, LADDER PIVOT
18	153.010.012	10	MACHINE BUSHING 10GA WR 3/4ID
19	151921	2	GRIP, JD#W25634
20	1306352	1	LM PLT, HANDLE, LEFT
NS	1316512	1	LM PLT, HANDLE, LEFT - SHORT
21	10049.03.00016	2	KEY, STR, 3/16 X 3/16 X 1
22	1298191	1	LM RND, ROCK SHAFT
23	122.012.030	4	FLHC-10.9M10X1.75X20
24	122.012.025	2	FLHC-10.9M12X1.75X25
25	1330291	1	LM PLT, VERTICAL OUTER LEFT
26	123.010	4	FLHN-10.9M10X1.5 STVR
27	136.005	2	LOCK WASHER 5/16"
28	1329851	1	LM WLD, TOP LEFT LINK
29	1329812	1	LM LINK, LWR LEFT PARALLEL
30	1300183	1	LM PLT, LADDER HANDLE RIGHT
NS	1316502	1	LM PLT, HANDLE, RIGHT - SHORT
31	1300051	1	LM WLD, LEFT LADDER MNT
32	119.005	2	FLHN 5/16-18

Ladder Wedge & Service Ladder Extension



Engine Deck Service Step



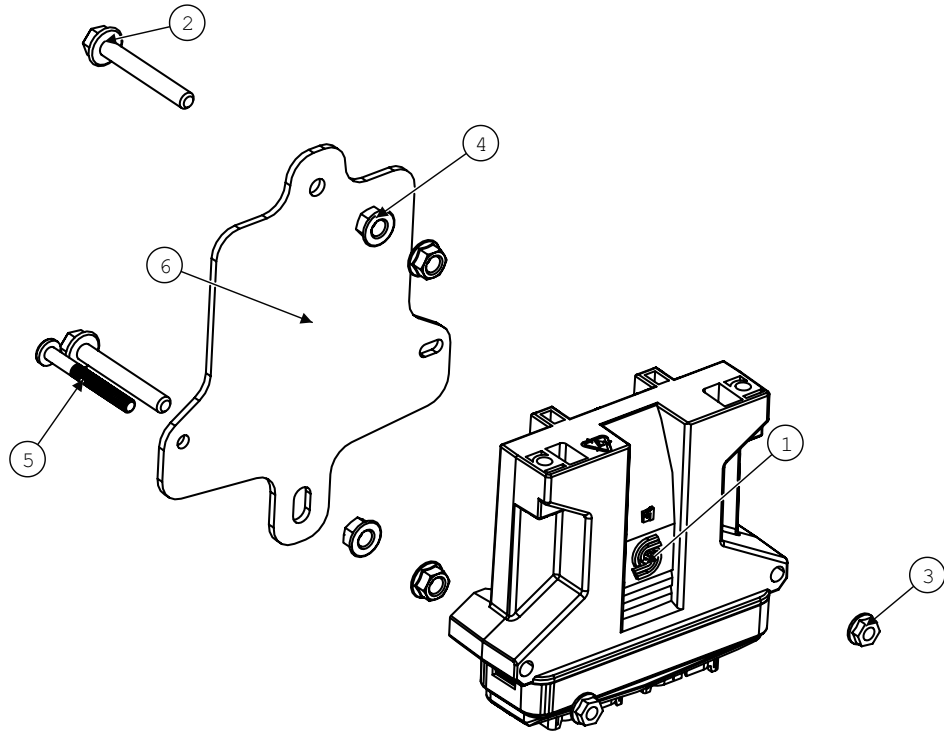
Model JH9020 Hillco Leveling System
For Serial Numbers JH9020-22001 thru JH9020-22999

Ladder Wedge

BOM ID	Part No.	Qty	Description
1	1346971	1	HANDRAIL 700SERIES
2	122.008.050	4	M8X50
3	1343161	1	PLATFORM, DUAL TIRE
4	122.012.035	2	M12X35
5	1343141	1	PIVOT LOCKOUT
6	155.016.090	2	STUD, DOUBLE-10.9
7	1342721	1	INNER PLATFORM BEAM
8	128.016	2	M16x2.0
9	123.012	2	NUT,HX,FL,CL10 M12
10	1343091	1	10" PIVOT EXTENSION
11	122.016.060	3	M16X60
12	123.008	4	M8x1.25
Engine Deck Service Step			
13-16	1340581	1	SERVICE LADDER EXTENSION
13	1348281	2	SERVICE LADDER HINGE
14	1340591	1	HANDLE, SERVICE LADDER EXTENSION
15	1340571	1	SERVICE LADDER EXTENSION
16	151921	1	GRIP

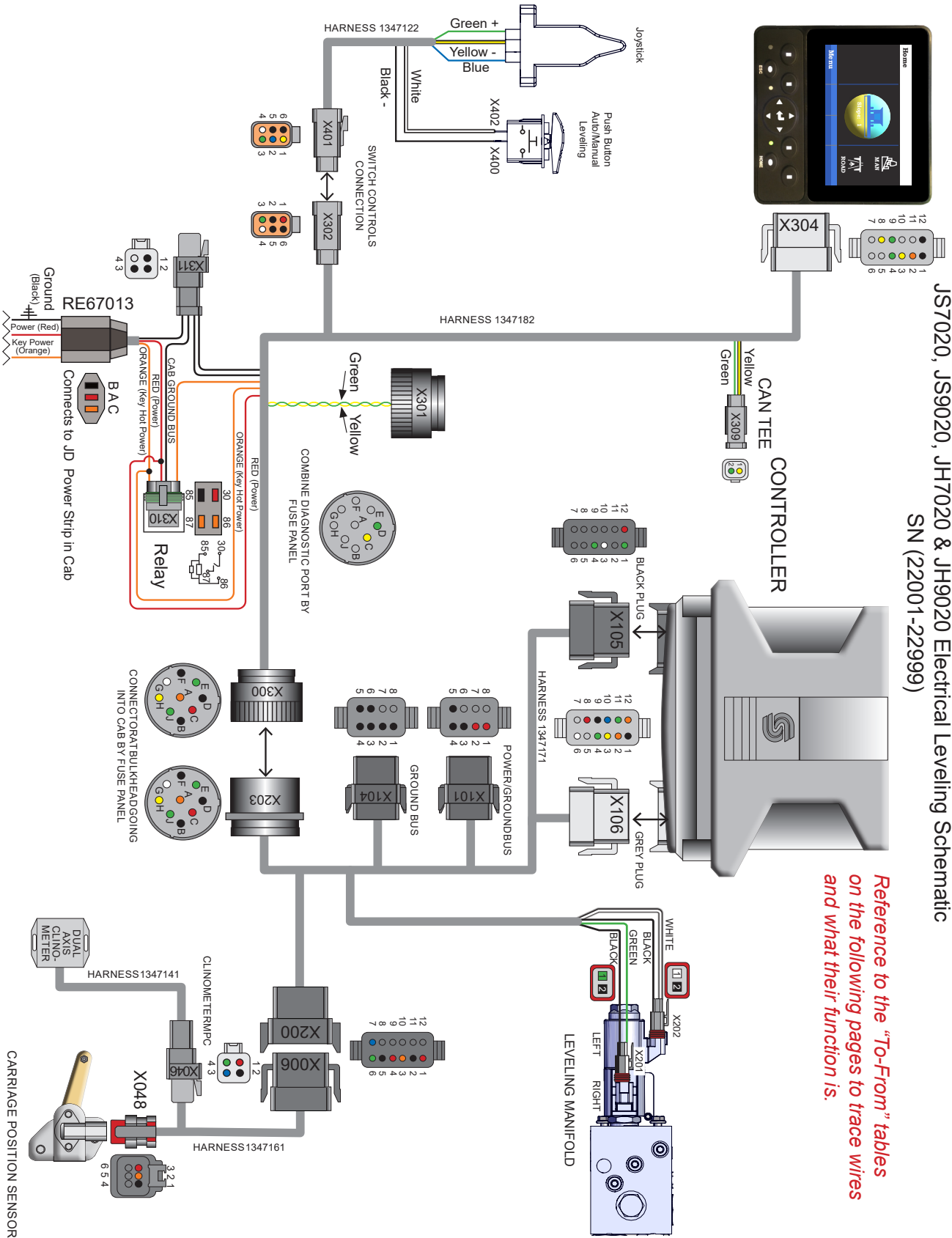
Model JH9020 Hillco Leveling System
 For Serial Numbers JH9020-22001 thru JH9020-22999

Controller



Controller			
BOM ID	Part No.	Qty	Description
1	1346643	1	CONTROLLER, DANFOSS PLUS 1-24 PIN, PROGRAM 1346643
2	122.008.060	2	FLHC-M08X1.25X60
3	119.004	2	PHMS-GR5-1/4-20 X 2-1/4"
4	123.008	4	FLHN 10.9 M8 X 1.25
5	114.004.036	2	SCREW,PHM,CH,SERR
6	1295201	1	EM PLT, CONTROLLER MNT

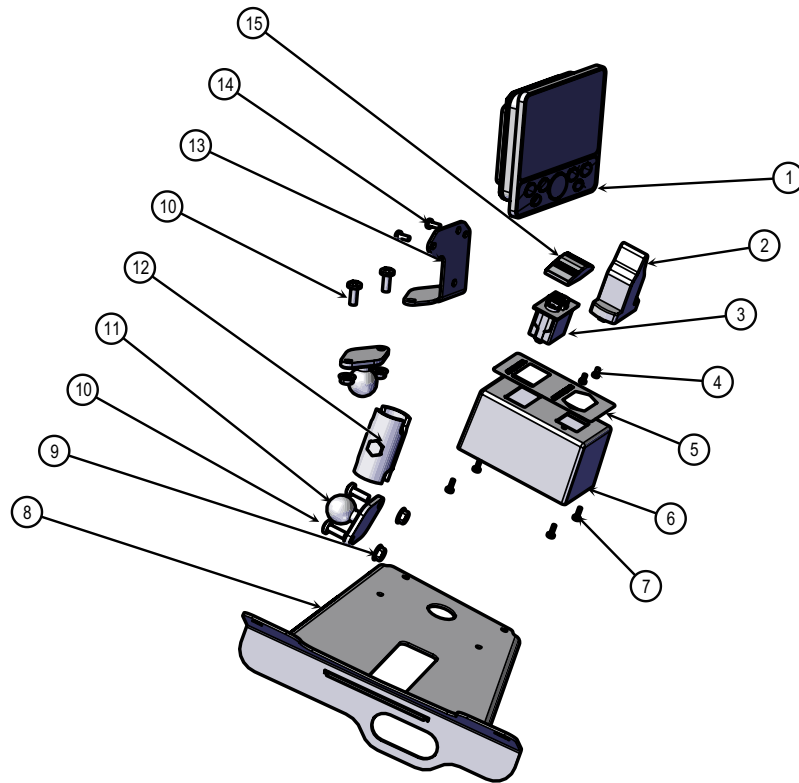
Model JH9020 Hillco Leveling System
 For Serial Numbers - JH9020-22001 thru JH9020-22999



JS7020, JS9020, JH7020 & JH9020 Electrical Leveling Schematic
 SN (22001-22999)

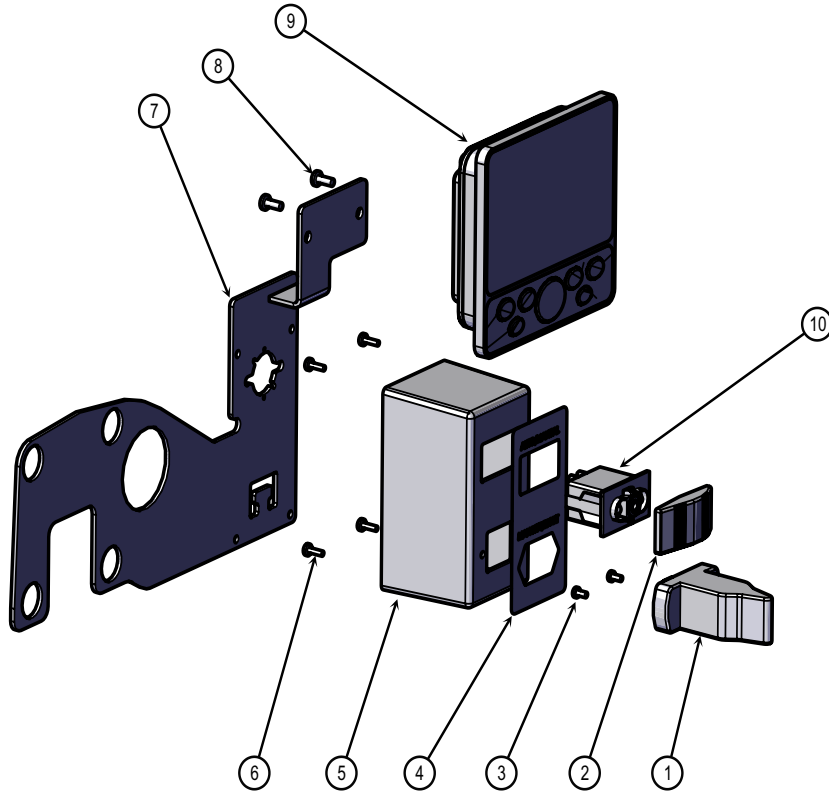
Reference to the "To-From" tables on the following pages to trace wires and what their function is.

600 Series Monitor



600 Series Monitor			
BOM ID	Part No.	Qty	Description
1	1358372	1	PROGRAM, LEVELER DISPLAY
2	155784	1	JOYSTICK, SINGLE AXIS
3	155785	1	SWITCH, SPST MOMENTARY
4	171.003.006	2	SCREW,PHM,CH M3
5	1346991	1	BOX, SWITCH MOUNT
6	155796	1	DECAL, SWITCH BOX, LEVELING SYSTEM
7	114.#06.006	4	6-32X3/8
8	1347561	1	MONITOR MOUNT, S
9	123.006	4	M6 X 1.0
10	171.006.016	4	M6x1.0x16
11	153851	2	RAM 2-7/16" X 1-5/16" BASE W/ 1" BALL
12	153871	1	RAM, DBL SOCKET ARM FOR 1" BALL, 2" SOCKET TO SOCKET LENGTH
13	1347582	1	DISPLAY MOUNT
14	171.004.010	2	M4X10
15	EC-149581	1	CONTURA BLACK ACTUATOR WAYTEK 44361

700 Series Monitor



700 Series Monitor			
BOM ID	Part No.	Qty	Description
1	155784	1	JOYSTICK, SINGLE AXIS
2	EC-149581	1	CONTURA BLACK ACTUATOR WAYTEK 44361
3	171.003.006	2	SCREW,PHM,CH M3
4	155796	1	DECAL, SWITCH BOX, LEVELING SYSTEM
5	1346991	1	BOX, SWITCH MOUNT
6	114.#06.006	4	6-32X3/8
7	1347232	1	MOUNT, 700 SERIES LEVELER CONTROLS
8	171.004.010	2	M4X10
9	1358372	1	PROGRAM, LEVELER DISPLAY
10	155785	1	SWITCH, SPST MOMENTARY

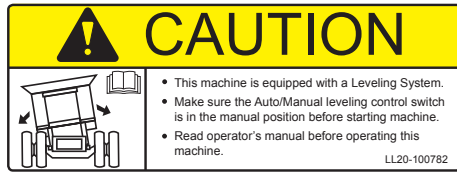
Decals and Literature



1) LL-133741



2) LL-151041



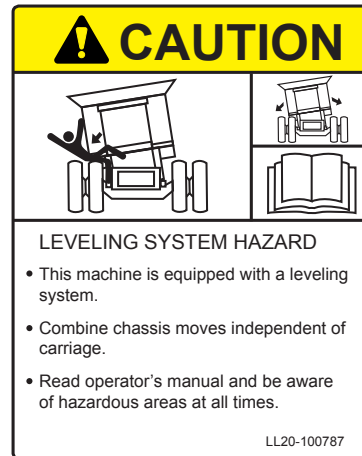
3) LL20-100782



5) LL20-100784



4) LL20-100783



7) LL20-100787



6) LL20-100786



8) LL20-100788



9) LL-143621

Model JH9020 Hillco Leveling System
For Serial Numbers JH9020-22001 thru JH9020-22999

DECALS AND LITERATURE				
REF.	PART NO.	QTY.	PART NAME	DESCRIPTION
1	LL-133741	1	LABEL, GREASE 50 HRS	OC BULKHEAD
2	LL-133741	2	LABEL, GREASE 50 HRS	RIGHT & LEFT MAIN LEV CYL BOTTOM
1	LL-133741	1	LABEL, GREASE 50 HRS	MASTER CYLINDER ROD
2	LL-151041	2	DECAL, HILLSIDE LEVELING SYSTEM	SIDE OF COMBINE
3	LL20-100782	1	CAUTION LEVELING SYSTEM CAB	WINDOW IN CAB
4	LL20-100783	2	DANGER, CRUSHING HAZARD	RIGHT & LEFT UNDERCARRIAGE
4	LL20-100783	2	DANGER, CRUSHING HAZARD	SIDES OF DROP AXLE ASSEMBLY
5	LL20-100784	2	DECAL, DANGER PINCH POINT	RIGHT & LEFT UPPER TRANS FACE PLT
6	LL20-100786	1	WARNING ELECTRICAL CRUSHING HAZARD	FRONT OF ELECTRICAL CONTROL BOX
7	LL20-100787	1	CAUTION - LEVELING SYSTEM HAZARD	ON LADDER PLATFORM
8	LL20-100788	1	DANGER - HYDRAULIC HAZARD	ON SIDE OF COMBINE ABOVE THE HYDRAULIC MANIFOLD
8	LL20-100788	2	DANGER - HYDRAULIC HAZARD	FOR EACH LEVELING CYLINDER
9	LL-143621	2	DANGER, AVOID CRUSHING INJURY	IN AREA NEAR SAFETY STOP STORAGE LOCATION
NS	LL-147651	1	LABEL, FEMA MEMBER TAG	NEAR SERIAL NUMBER TAG
NS	LA-255961	1	TAG, SERIAL NUMBER	
NS	LL-289641	1	CM LABEL, MECHANICAL CYLINDER STOP	
NS	D-120613CMA01D	1	MANUAL, PARTS	
NS	D-120427MCA01C	1	MANUAL, OPERATORS	SN 16001-16999
NS	D-050611SLR01	1	WARRANTY REGISTRATION CARD	
NS	LL-239412	1	LABEL, STEERING WHEEL	TIED TO STEERING WHEEL DURING INSTALLATION
NS	D-120412CMA01	3	DEALER PDI & INSTALL CHECKLIST	

Model JH9020 Hillco Leveling System
For Serial Numbers JH9020-22001 thru JH9020-22999

Notes

Hillco Technologies, Inc.
107 1st Avenue
Nezperce, Idaho 83543

Phone	800-937-2461
	208-937-2461
Fax	208-937-2280

www.hillcotechnologies.com
email: support@hillcotechnologies.com