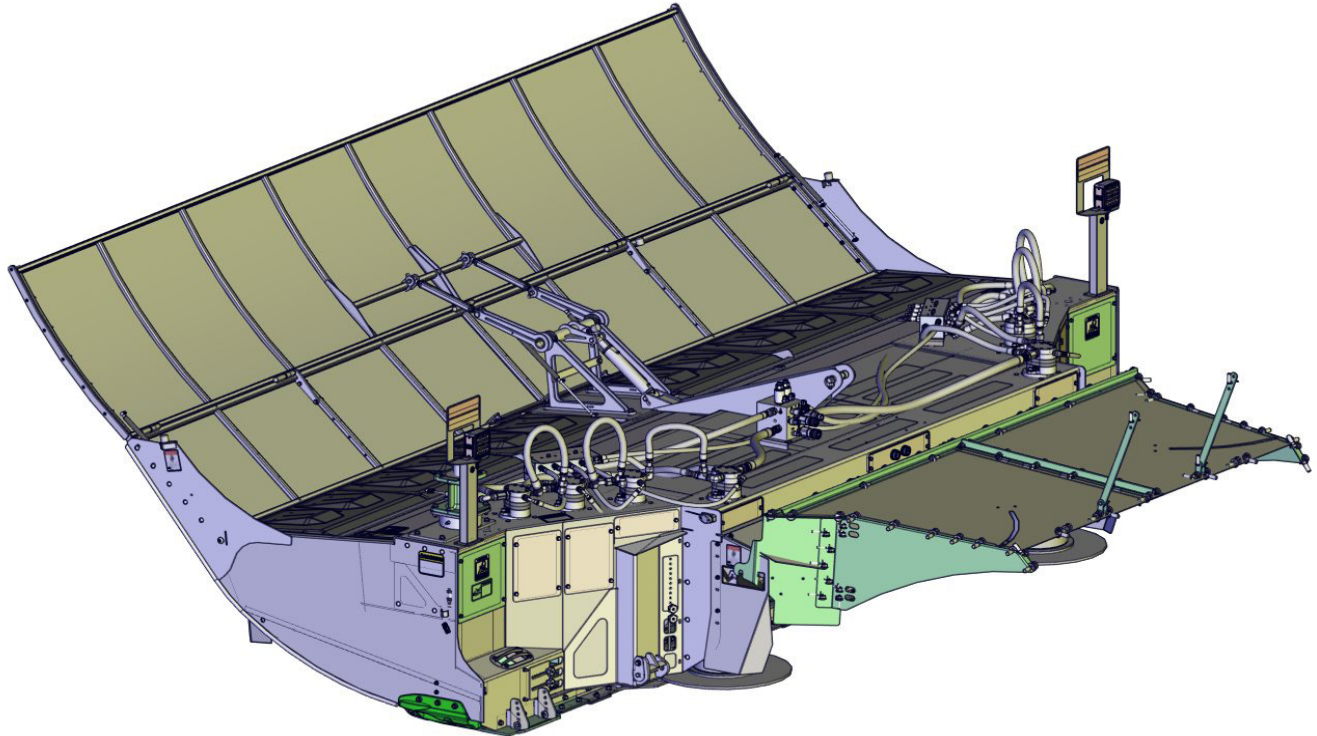


Model SC1500 Specialty Seed Header
For Serial Numbers SC1500-22001 thru SC1500-22999



Model SC1500 Specialty Seed Header Parts Manual

SN SC1500-22001 thru SC1500-22999
Rev. B

D-220308DMC01

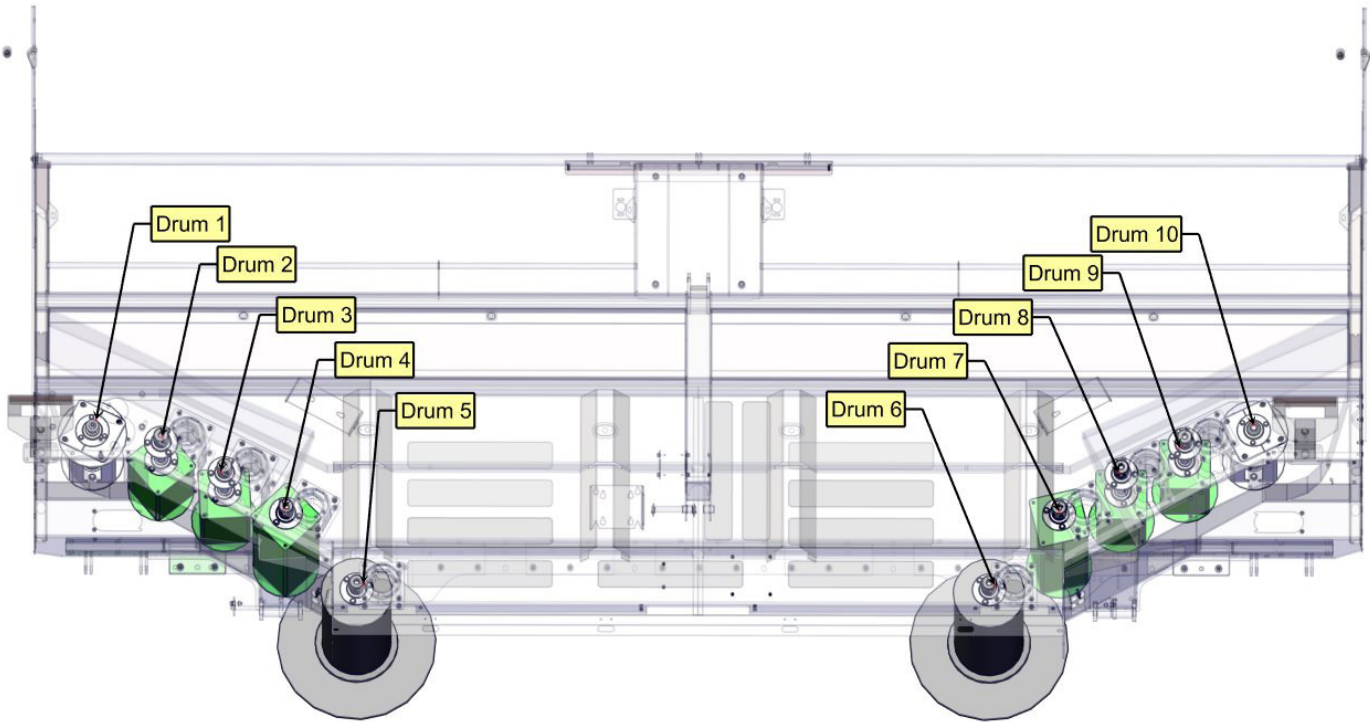
208-937-2461
www.hillcotechnologies.com
email: support@hillcotechnologies.com

Model SC1500 Specialty Seed Header
For Serial Numbers SC1500-22001 thru SC1500-22999

DRUMS.....	4-7
Drums 1 and 10	4
Suspended Drums	5
Tall Drum	6
Forming Drum	7
DEFLECTOR.....	8-9
Deflector	8
Deflector Lift	9
CUTTERBAR DRIVE.....	10
CURTAINS AND DOORS.....	12
SHIELDS.....	13-14
CUTTERBAR.....	15
DRUM HOSES.....	16-19
Right Hoses	16-17
Left Hoses	18-19
FRAME.....	21-24
Center Frame	22
Frame Left and Right	23
Frame Front	24
HYDRAULICS MOTORS.....	25-26
Left Motors and Fittings	25
Right Motors and Fittings	26
MANIFOLDS.....	27-32
Center Manifold	27
Left Manifold	29
Right Manifold	31
DISPLAY.....	33
ELECTRICAL.....	34
PUMP KIT.....	35-38
SPRAY KIT (OPTIONAL).....	39-40
DECALS.....	41-42

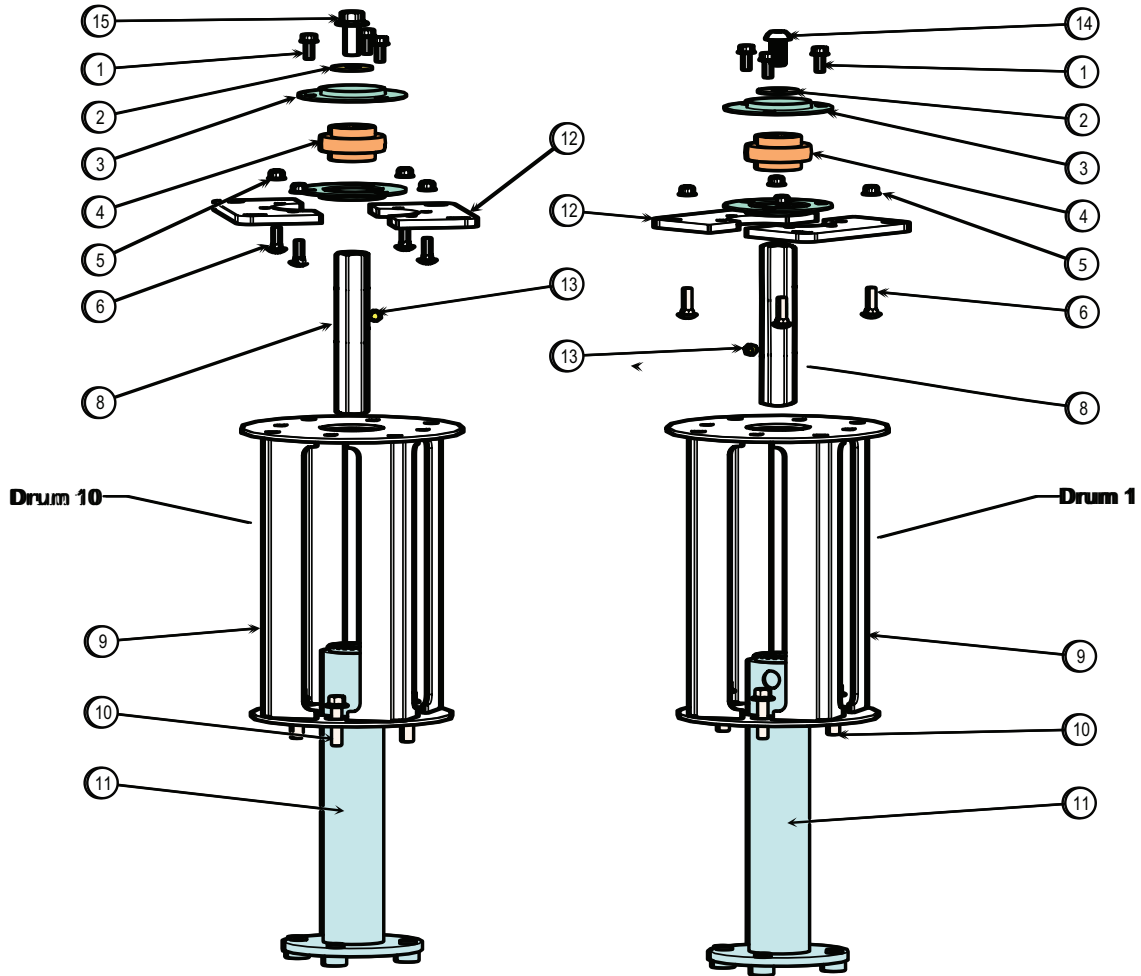
Model SC1500 Specialty Seed Header
For Serial Numbers SC1500-22001 thru SC1500-22999

Drum Location



Model SC1500 Specialty Seed Header
For Serial Numbers SC1500-22001 thru SC1500-22999

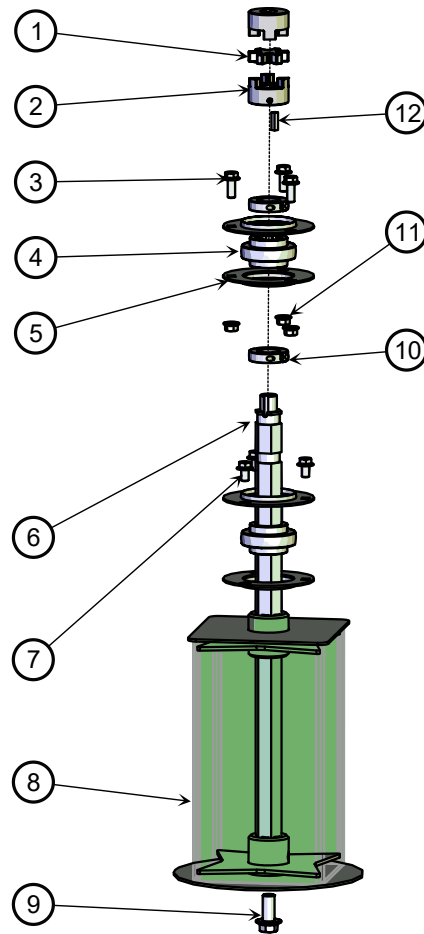
Drums 1 and 10



BOM ID	Hillco Part No.	John Deere Part No.	Qty	Description
1	122.008.020	19M7866	6	BOLT,HX,FL,CL10.9 M8X20
2	105.010		2	WASHER,FLT 5/8
3	101339	E79725	4	FLANGETTE, RND BEARING (PAIR) 72MM 3 BOLT
4	156111	JD#AE37057	2	BEARING, INSERT, 1-1/4 HEX
5	128.008	14M7298	8	NUT,HX,FL,STV,CL10 M8 X 1.25
6	163.008.025	D3M7185	4	BOLT,CARR,CL8.8 M8X25
8	1368172		2	DRIVE SHAFT
9	1368761		2	OUTER DRUM
10	122.012.045		8	BOLT,HX,FL,CL10.9 M12X45
11	1368731		2	INNER DRUM
12	1368161		4	BEARING MNT
13	133891		2	ZERK, GREASE, 1/8
14	122.016.035	19M7843	1	BOLT,HX:FL, CL10.9 M16 X 35
15	122.016.035	19M7843	1	BOLT,HX:FL, CL10.9 M16 X 35

Model SC1500 Specialty Seed Header
For Serial Numbers SC1500-22001 thru SC1500-22999

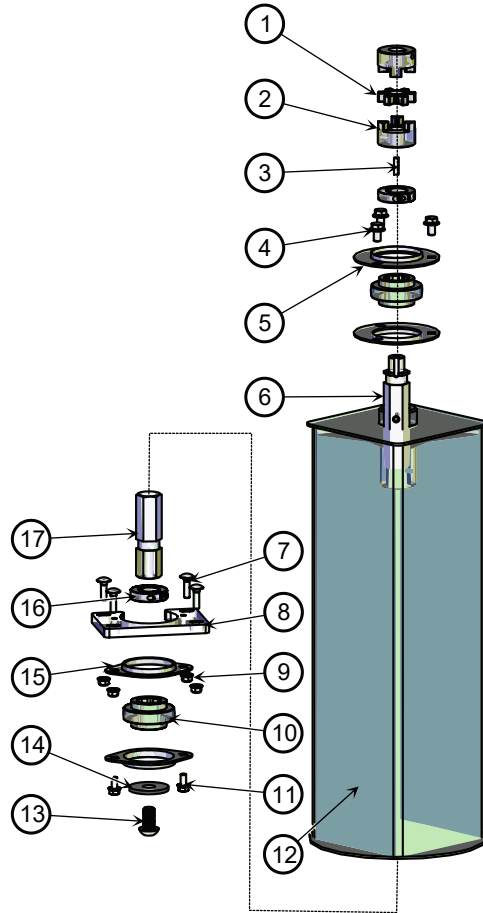
Suspended Drums



BOM ID	Hillco Part No.	John Deere Part No.	Qty	Description
1	155980		1	SOLID CENTER, L090 SPIDER
2	155979		1	COUPLER,JAW, 7/8" BORE, 1/4"X1/8" KEYWAY (Pair with Spider)
3	122.010.025	19M7785	3	BOLT,HEX,FLANGE,CL10.9 M10X25
4	156111	AE37057	2	BEARING, INSERT, 1-1/4 HEX
5	101339	E79725	4	FLANGETTE, RND BEARING (PAIR) 72MM 3 BOLT
6	1369164		1	DRUM SHAFT
7	122.010.016	19M7783	3	BOLT,HEX,FLANGE,CL10.9 M10X16
8	1379121		1	SUSPENDED DRUM
9	122.016.035	19M7843	1	BOLT,HEX,FLANGE, CL10.9 M16 X 35
10	155955		2	TWO-PIECE CLAMP-ON SHAFT COLLAR 1-3/16" BORE
11	123.010	14M7296	3	NUT,HEX,FLANGE,CL10 M10
12	10064.04.00015		1	KEYSTOCK,SQUARE 1/4" x1/4" X .9375"

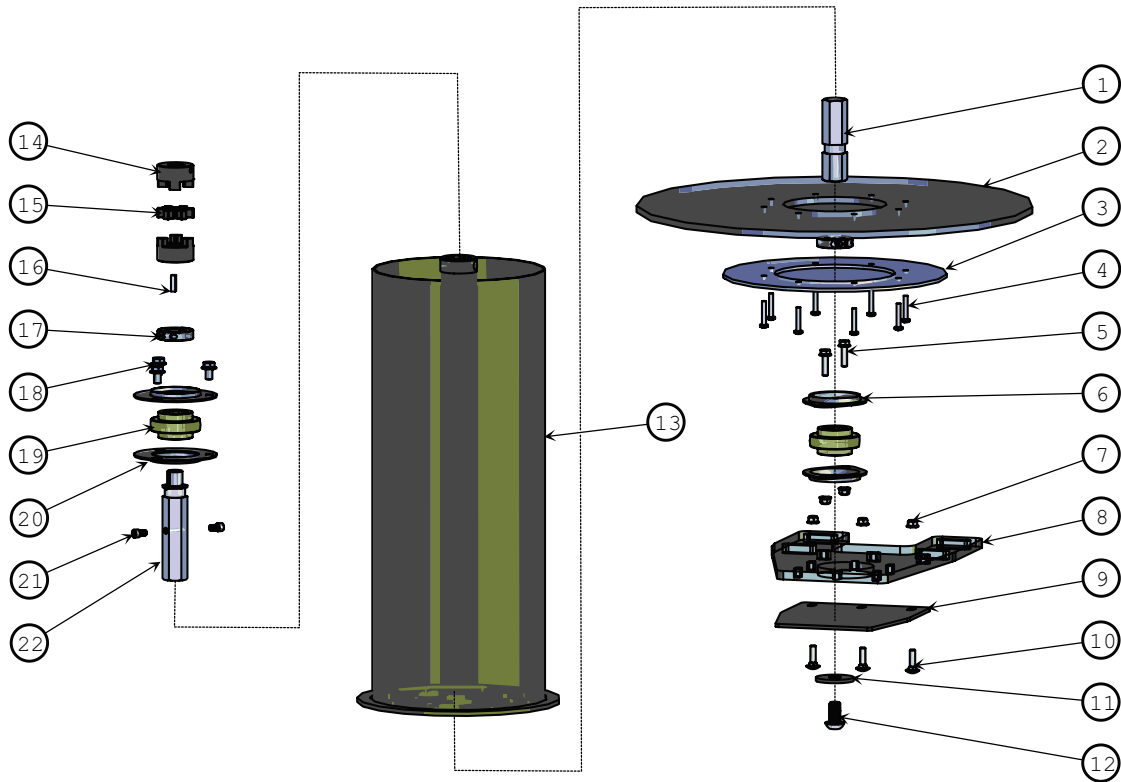
Model SC1500 Specialty Seed Header
For Serial Numbers SC1500-22001 thru SC1500-22999

Tall Drum



BOM ID	Hillco Part No.	John Deere Part No.	Qty	Description
1	155980		1	SOLID CENTER, L090 SPIDER
2	155979		1	COUPLER,JAW, 7/8" BORE, 1/4"X1/8" KEYWAY (Pair with Spider)
3	10064.04.00015		1	KEYSTOCK,SQUARE 1/4" x1/4" X.9375"
4	122.010.016	19M7783	3	BOLT,HEX,FLANGE,CL10.9 M10X16
5	101339	E79725	1	FLANGETTE, RND BEARING (PAIR) 72MM 3 BOLT
6	1363603		1	DRUM SHAFT
7	163.008.030	03M7094	4	BOLT,CARR,CL8.8 M8X30
8	1369452		1	TALL DRUM BEARING MNT
9	128.008	14M7298	4	NUT,HEX,FLANGE,STOVER,CL10 M8 X 1.25
10	156111	AE37057	2	BEARING, INSERT, 1-1/4 HEX
11	122.008.016	19M7865	2	BOLT,HEX,FLANGE,CL10.9 M8X16
12	1363525		1	DRUM, TALL
13	206.016.030	24M7103	1	BUTTON HEAD CAP SCREW, CL12.9 M16X30
14	143641		1	WASHER,FLAT 17.5 X 56 X 5
15	153111	H76961	2	FLANGETTE, 2-BOLT, 72MST
16	155955		2	TWO-PIECE CLAMP-ON SHAFT COLLAR 1-3/16" BORE
17	1368173		1	IDLER SHAFT

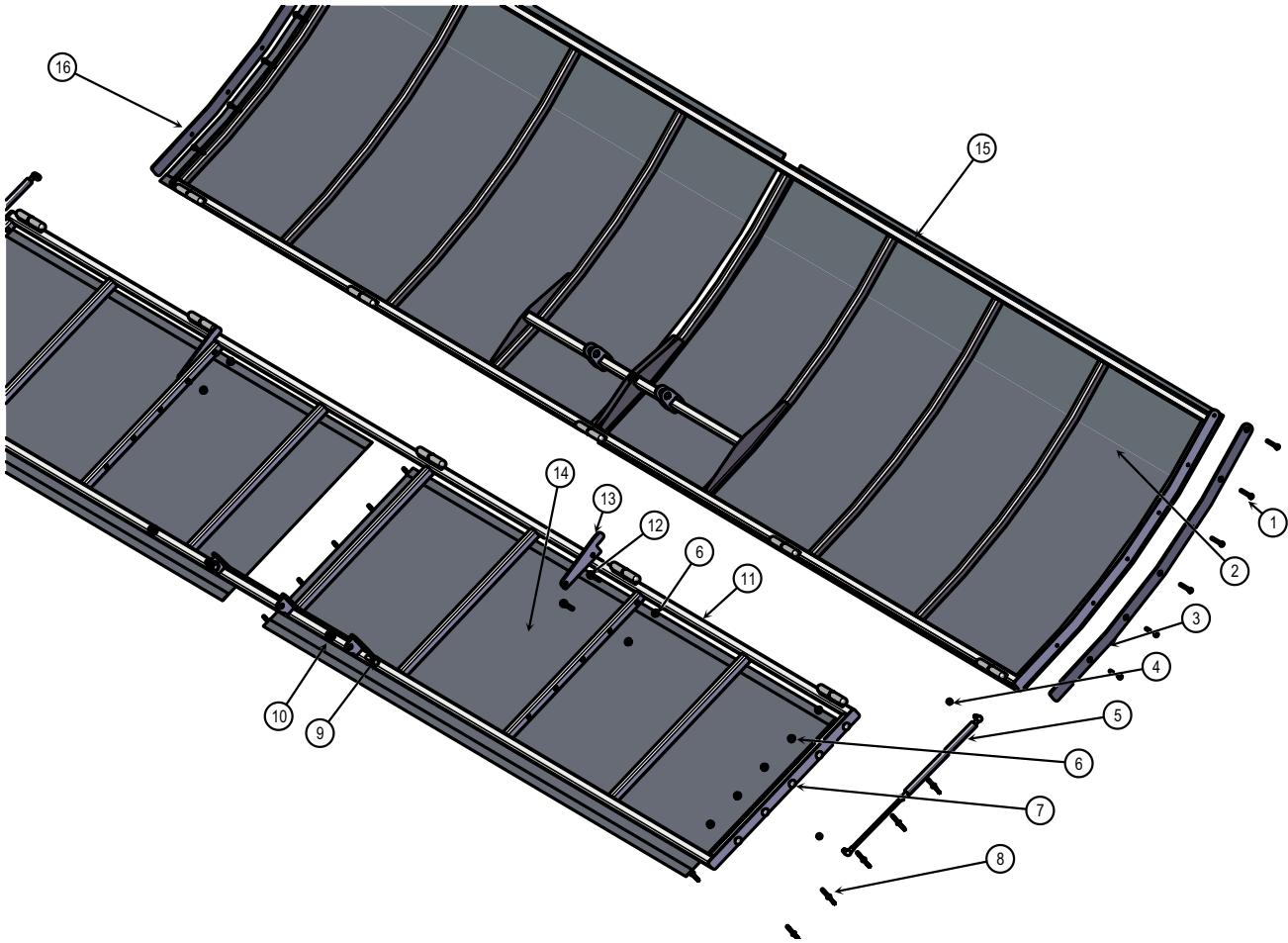
Model SC1500 Specialty Seed Header
 For Serial Numbers SC1500-22001 thru SC1500-22999
Forming Drum



BOM ID	Hillco Part No.	John Deere Part No.	Qty	Description
1	1368173		1	IDLER SHAFT
2	1363662		1	WEAR DISC, ROLLING GUIDE
3	1363811		1	WEAR DISC SUPPORT PLATE
4	171.006.035		8	SCREW, PAN HEAD MACHINE SCREW, CH M6 X 1.0 X 35
5	122.008.030	19M7868	2	BOLT, HEX, FLANGE, CL10.9 M8X30
6	153111	H76961	2	FLANGETTE, 2-BOLT, 72MST
7	128.008	14M7298	5	NUT, HEX, FLANGE, STOVER, CL10 M8 X 1.25
8	1369442		1	ROLLER GUIDE BEARING MNT
9	1376641		1	WEAR PAD, ROLLING GUIDE
10	163.008.030	03M7094	3	BOLT, CARR, CL8.8 M8X30
11	143641	24M7103	1	17.5X56X5MM
12	206.016.030		1	BUTTON HEAD CAP SCREW, CL12.9 M16X30
13	1363651		1	FORMING DRUM
14	155979		1	COUPLER, JAW, 7/8" BORE, 1/4" X 1/8" KEYWAY (Pair with Spider)
15	155980		1	SOLID CENTER, L090 SPIDER
16	10064.04.00015		1	KEYSTOCK, SQUARE 1/4" x 1/4" X.9375"
17	155955		2	TWO-PIECE CLAMP-ON SHAFT COLLAR 1-3/16" BORE
18	122.010.016	19M7783	3	BOLT, HEX, FLANGE, CL10.9 M10X16
19	156111	AE37057	2	BEARING, INSERT, 1-1/4 HEX
20	101339	E79725	1	FLANGETTE, RND BEARING (PAIR) 72MM 3 BOLT
21	156049		2	SCREW, SOCKET HEAD, THREAD LOCKING, (5/16-18 X 1/2")
22	1363603		1	DRUM SHAFT

Model SC1500 Specialty Seed Header
For Serial Numbers SC1500-22001 thru SC1500-22999

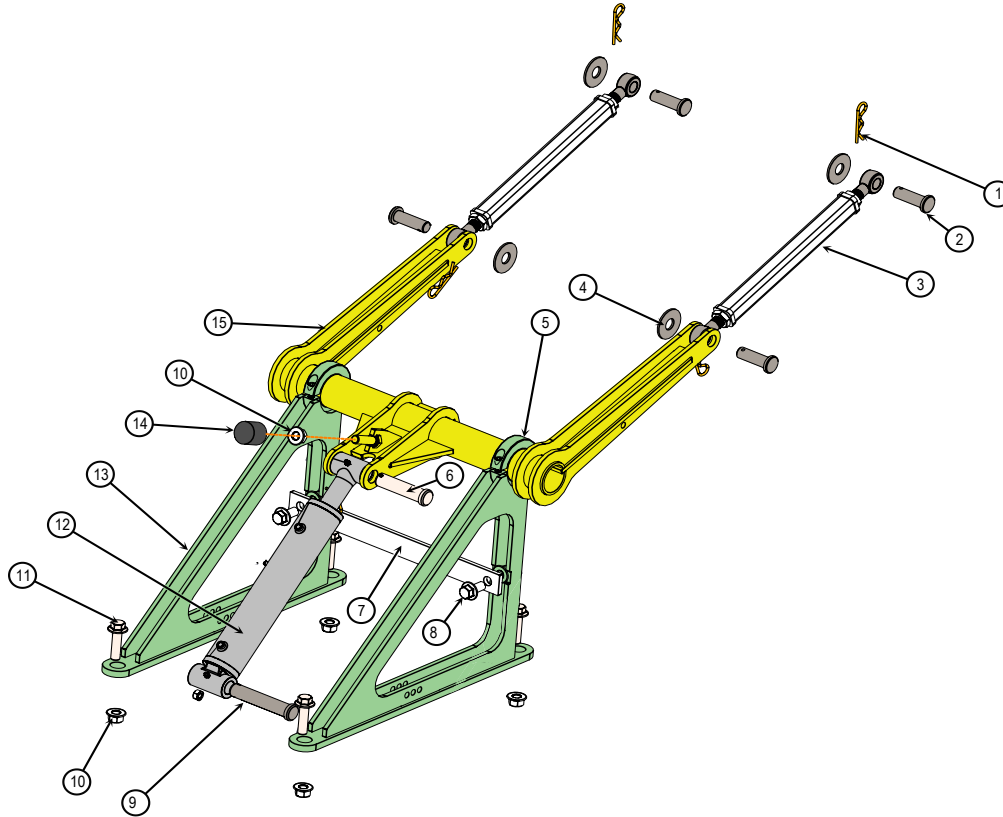
Deflector



BOM ID	Hillco Part No.	John Deere Part No.	Qty	Description
1	114.004.036		12	SCREW,PHM,CH,SERR 1/4-20X2-1/4
2	1362622		2	SKIN, UPPER DEFLECTOR
3	1375791		1	GUARD, END CAP, R (Obsolete)
4	103.005		4	NUT, HX, GR5 5/16
5	156231		2	GAS SPRING, 40LBF, 20.12" EXTENDED X 8.27"STROKE,5/16-18
6	123.008	14M7298	14	NUT,HEX,FLANGE,CLASS 10 M8
7	163.008.020	03M7184	10	BOLT, CARR, CL8.8 M8 X 20
8	156205	M64720	139	RIVET, BLIND, 3/16" DIA, FLAT
9	122.012.040	19M7791	2	BOLT,HX,FL,CL10.9 M12X40
10	123.012	14M7299	2	NUT,HX,FL,CL10 M12
11	1362502		1	DEFLECTOR, LOWER
12	122.008.050	19M8319	4	BOLT,HEX,FLANGE,CLASS 10.9 M8X50MM
13	1375041		2	DEFLECTOR STOP
14	1362542		2	SKIN, LOWER DEFLECTOR
15	1362552		1	GF WLD, DEFLECTOR, UPPER
16	1375781		1	GUARD, END CAP, L

Model SC1500 Specialty Seed Header
For Serial Numbers SC1500-22001 thru SC1500-22999

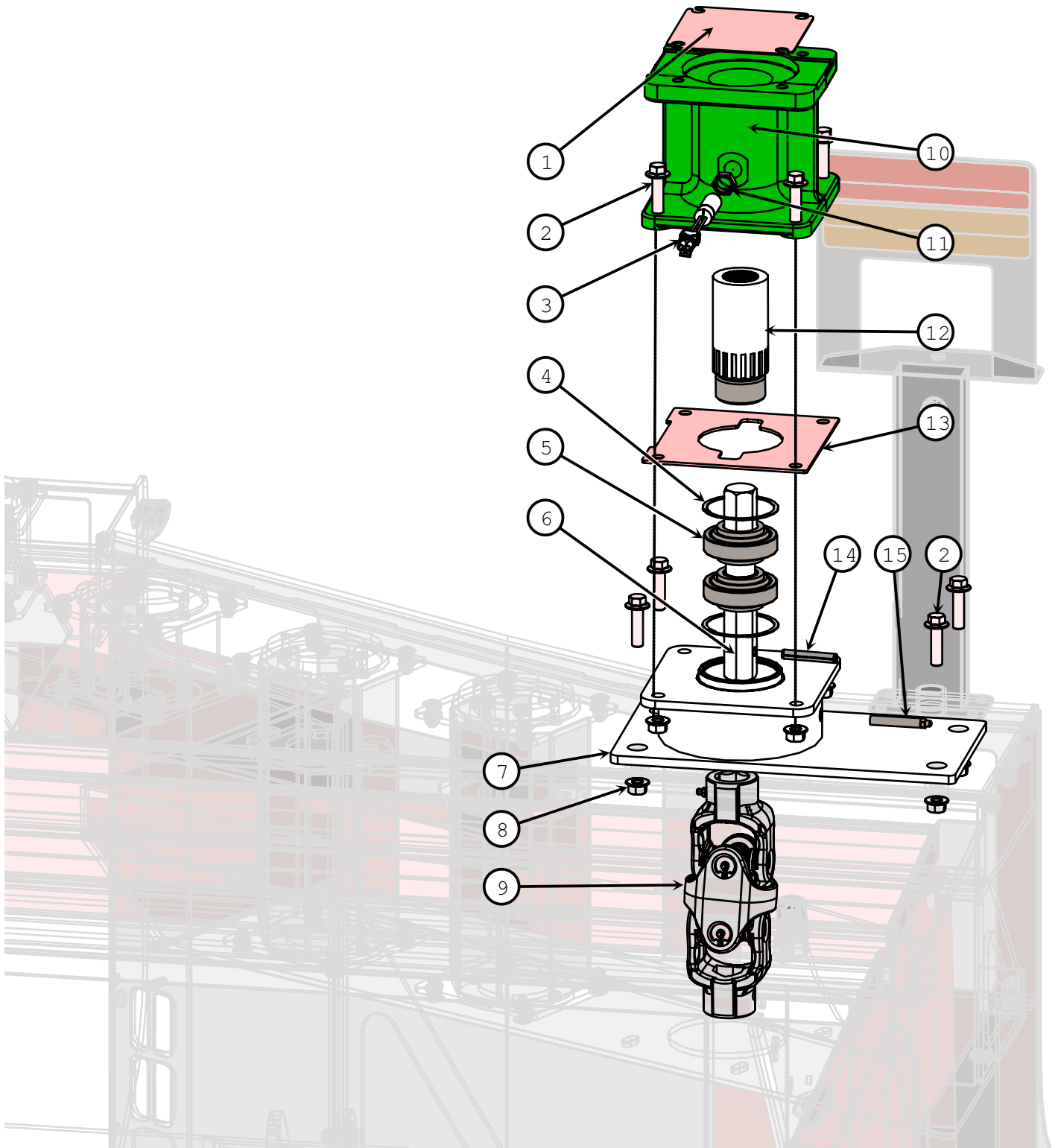
Deflector Lift



BOM ID	Hillco Part No.	John Deere Part No.	Qty	Description
1	144.010.038	PM00010	6	PIN,HITCH,CLIP 1/8" X 5/8" EYE DIA X 2-3/8" LENGTH
2	234.16.041		4	PIN, CLEVIS, M16x41MM USABLE LENGTH W/4MM HOLE
3	1375411		2	UPPER LINKAGE
4	105.010		4	WASHER,FLT 5/8
5	156207		2	COLLAR, SHAFT, TWO-PIECE CLAMPING 1-7/8"DIA
6	141.012		1	WASHER,3/4"x2-3/4"USABLE LENGTH W/5/32"HOLE
7	1375771		1	STRAP, PIVOT TOWER
8	122.012.025	19M7788	2	BOLT,HX,FL,CL10.9 M12X25
9	141.012.044		1	PIN, CLEVIS 3/4"x3-1/2"USEABLE LENGTH W/5/32" HOLE
10	123.012	14M7299	5	NUT,HX,FL,CL10 M12
11	122.012.045	19M7813	4	BOLT,HX,FL,CL10.9 M12X45
12	155690		1	CYLINDER, 1" ROD, 6" STROKE, 14" CPC
13	1375511		2	PIVOT TOWER
14	156202		1	BUMPER,NEOPRENE, M12x1.75MM,DUROMETER 70A
15	1375441		1	PIVOT ARM

Model SC1500 Specialty Seed Header
For Serial Numbers SC1500-22001 thru SC1500-22999

Drive



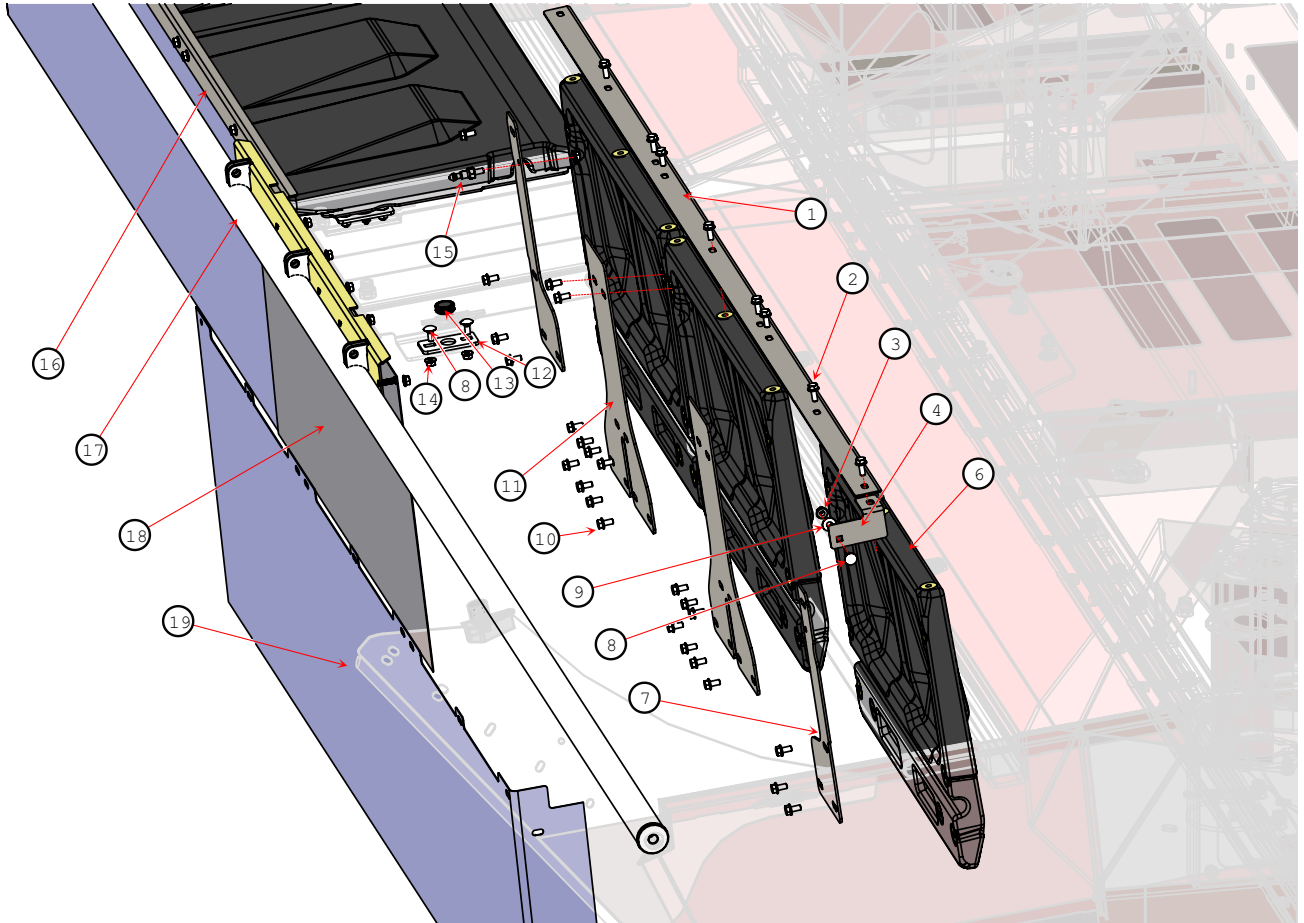
Model SC1500 Specialty Seed Header
 For Serial Numbers SC1500-22001 thru SC1500-22999

Drive

Drive				
BOM ID	Hillco Part No.	John Deere Part No.	Qty	Description
1	1370861		1	TOWER CAP
2	122.012.045		8	BOLT, HEX, FLANGE, CL10.9 M12X45MM
3	156052	AFH208466	1	SENSOR, ASSY.,MAGNETIC PICKUP
4	156063		2	RETAINING RING, SPIRAL INTERNAL
5	156065	AE46606	2	BEARING, BALL, DEEP GROOVE 80MM X 1-1/4" HEX BORE
6	1368911		1	UPPER DRIVESHAFT
7	1368182		1	MOTOR MOUNT
8	123.012	14M7299	8	NUT, HX, FL, CL10 M12
9	156305		1	DRIVELINE, 2300 SERIES 1-1/4" HEX B x 1-1/4" HEX SHAFT
10	156056		1	ADAPTER, HYDRAULIC, MOTOR
11	156055	R27448	1	NUT, SPECIAL JAM,
12	1368861		1	MOTOR COUPLER
13	1370851		1	MOTOR TOWER SHIM
14	201.010.060		1	PIN, ROLL M10 x 60
15	156009		1	ZERK, GREASE, STR, 1/8NPTX 2-5/8"

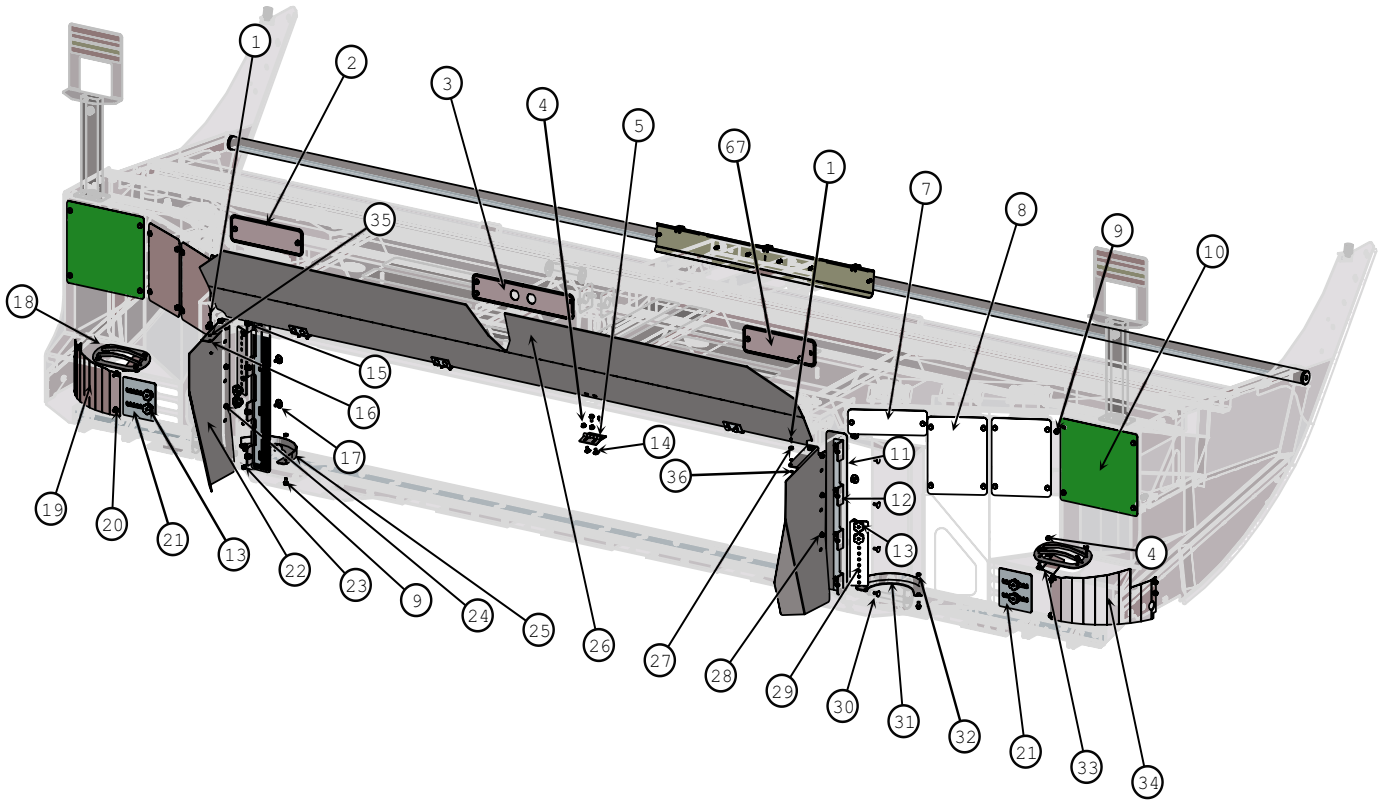
Model SC1500 Specialty Seed Header
For Serial Numbers SC1500-22001 thru SC1500-22999

Curtains and Doors



BOM ID	Hilco Part No.	John Deere Part No.	Qty	Description
1	1363101	FH320640	1	CLAMP, LEFT, CURTAIN
2	122.008.020	19M7866	18	BOLT, HEX, FLANGE, CL10.9 M8 X 20MM
3	127.008	14M7400	2	NUT, HEX, FLANGE, NYLOCK, CL10 M8X1.25
4	1363161	FH325310	1	CORNER MOUNT, CURTAIN LEFT
NS*	1363171	FH325311	1	CORNER MOUNT, CURTAIN, RIGHT
6	156162	FH30090	6	DOOR, 2 PANEL
7	1363141	FH324044	4	EDGE SUPPORT, ACCESS PANEL
8	163.008.020	03M7184	6	BOLT, CARRIAGE, CL8.8 M8 X 20MM
9	105.005		4	WASHER, FLAT 5/16
10	122.008.016	19M7865	48	BOLT, HEX, FLANGE, CL10.9 M8 X 16MM
11	1363151	FH10468	4	CENTER SUPPORT, ACCESS PANEL
12	1364001	FH324046	2	GROMMET PLATE
13	156034	M162701	2	GROMMET
14	123.008	14M7298	12	NUT, HEX, FLANGE, CL10 M8
15	156035	FH324047	2	PIN, ANNULAR LOCK PIN
16	1363111	FH320641	1	CLAMP, RIGHT, CURTAIN
17	1373841		1	FRONT BRACE
18	156040	FH325585	1	SHIELD, (CENTER CURTAIN)

Model SC1500 Specialty Seed Header
For Serial Numbers SC1500-22001 thru SC1500-22999
Shields



Model SC1500 Specialty Seed Header
For Serial Numbers SC1500-22001 thru SC1500-22999

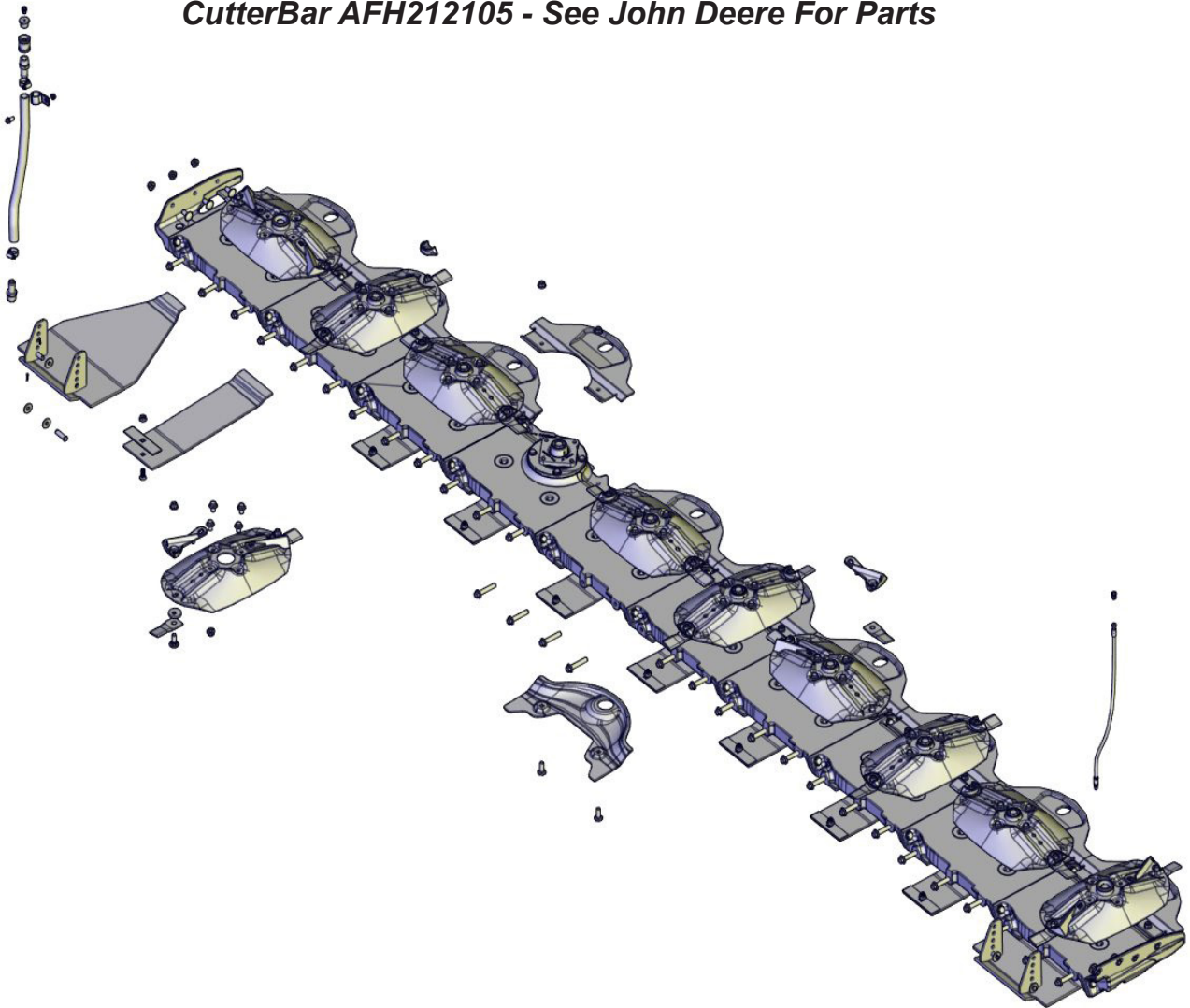
Shields

BOM ID	Hillco Part No.	John Deere Part No.	Qty	Description
1	114.#06.008		2	SCREW,PHM,CH 6-32X1/2
2	1376321		2	ACCESS PANEL, ROLLING GUIDE
3	1376291		1	ACCESS DOOR, CONTROLLER
4	123.008	14M7298	20	NUT, HEX, FLANGE, CL10 M8
5	156031	AE42346	4	HINGE
6	1364192		1	ACCESS PANEL, ROLLING GUIDE
7	1368092		2	TALL DRUM ACCESS DOOR
8	1368102		4	MIDDLE DRUM ACCESS DOOR
9	122.008.016	19M7865	52	BOLT, HEX, FLANGE, CL10.9 M8 X 16MM
10	1363342		2	OUTER DRUM ACCESS DOOR
11	1369272		2	FLAP, UHMW, BLACK 3/16-10062
12	1369262		2	FLAP MOUNT
13	156177		8	KNOB, PLASTIC, SIX ARM GRIP
14	163.008.016	03M7183	8	BOLT, CARRIAGE, CL8.8 M8 X 16MM
15	128.008	14M7298	15	NUT,HX,FL,STV,CL10 M8 X 1.25
17	157.005.016	19H1905	8	BOLT, ELEVATOR, 5/16-18 X 1"L
18	1379271		2	INLET GRATE
19	1359351		1	CORNER WALL, LEFT
20	163.008.025	03M7185	2	BOLT,CARRIAGE,CL8.8 M8 X 25MM
21	1363353		2	OUTER DAMPER
22	1367871		1	CHUTE SHIELD, LEFT
23	187.005	K40002	8	NUT, HEX, NYLOCK, GR8 5/16
24	122.008.020	19M7866	7	BOLT, HEX, FLANGE, CL10.9 M8 X 20MM
25	1374591		1	FENCE, LEFT
26	1363422		1	REAR SHIELD
27	156032		2	BUMPER,UNTHREADED, TAPERED RND, 43/64"ODx1/4"HIGH
28	1367911		1	CHUTE SHIELD, RIGHT
29	1368082		2	INNER DAMPENER
30	163.008.020	03M7184	19	BOLT, CARRIAGE, CL8.8 M8 X 20MM
31	1374621		1	FENCE, RIGHT
32	227.008		2	NUT, HEX WELD, M8
33	1376331		2	DEFLECTOR, GRATE
34	1359361		1	CORNER WALL,RIGHT
35	137.#06		2	WASHER, EXTERNAL TOOTH, #6
36	119.#06		2	NUT, HEX, FLANGE, SERRATED 6-32

Model SC1500 Specialty Seed Header
For Serial Numbers SC1500-22001 thru SC1500-22999

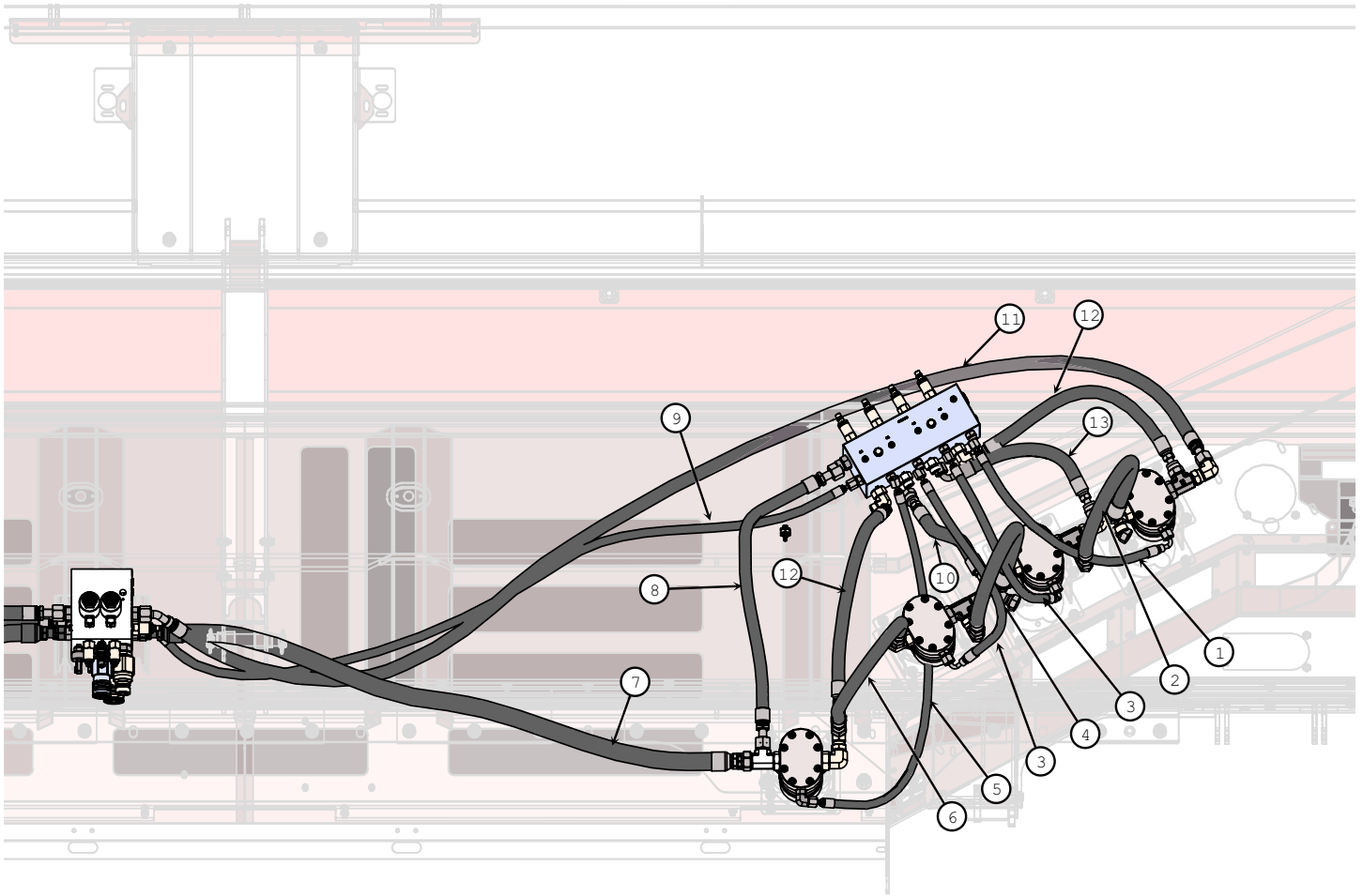
CutterBar

CutterBar AFH212105 - See John Deere For Parts



Model SC1500 Specialty Seed Header
For Serial Numbers SC1500-22001 thru SC1500-22999

Hydraulic Hoses (Right)



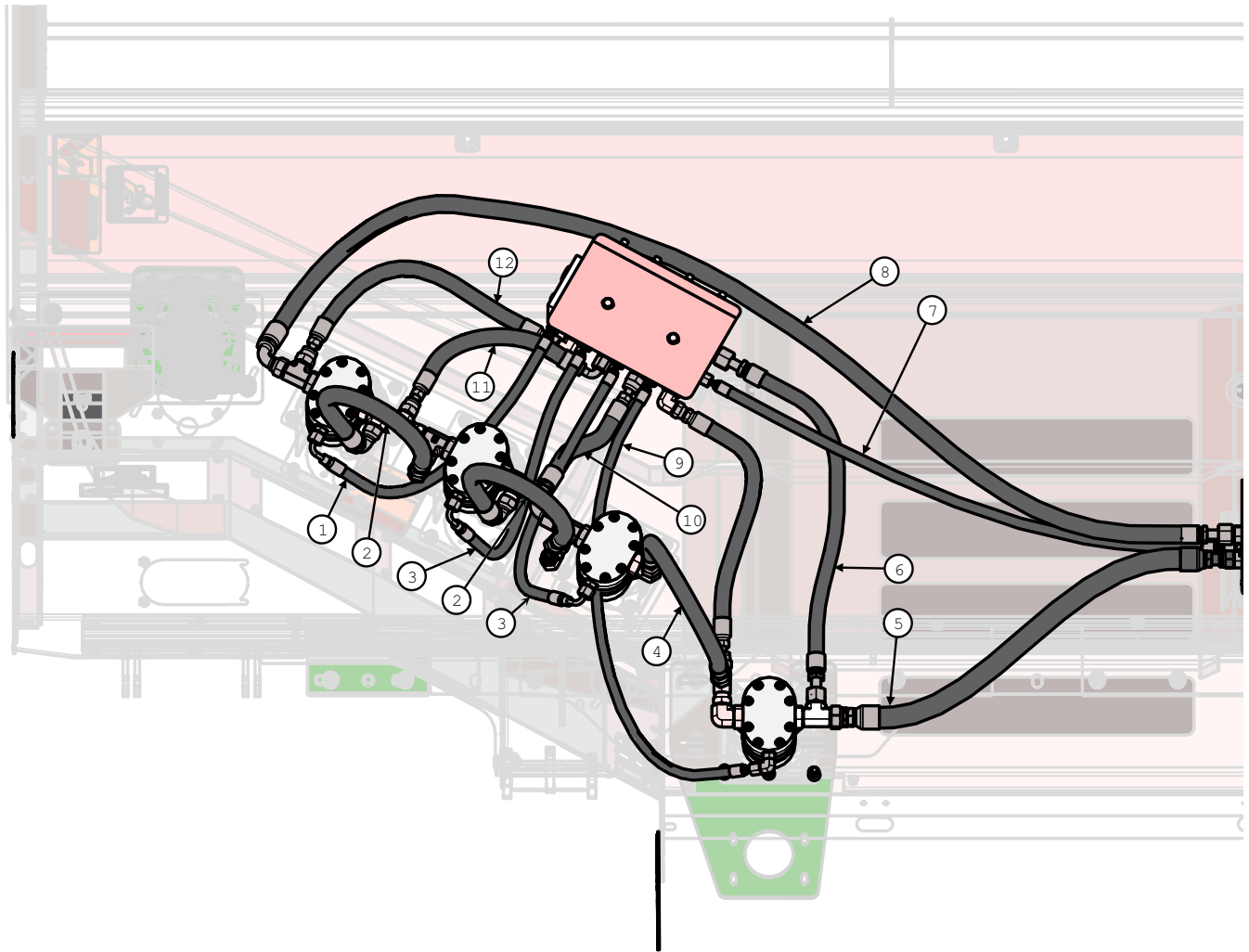
Model SC1500 Specialty Seed Header
 For Serial Numbers SC1500-22001 thru SC1500-22999

Hydraulic Hoses (Right)

BOM ID	Hillco Part No.	HoseDescription	Qty	Description
1	1368213	CD PORT MOTOR 9 TO C1 PORT	1	100R17AR-4x22", -6FORS STR x -6FORS STR
2	1368223	CONNECTS MOTOR 9 "T" PORT TO MOTOR 8 "P" TEE	1	100R17AR-10x23" -10FORS STR X -10FORS 90°D32MM
3	1368303	CONNECTS MOTOR 7 CD TO RIGHT WING MANIFOLD C3	1	100R17AR-4x21"; -6FORS STR x -6FORS90°D23MM
3	1368303	CONNECTS MOTOR 8 CD TO RIGHT WING MANIFOLD C2	1	100R17AR-4x21"; -6FORS STR x -6FORS90°D23MM
4	1368223	CONNECTS MOTOR 8 "T" PORT TO MOTOR 7 "P" TEE	1	100R17AR-10x23" -10FORS STR X -10FORS 90°D32MM
5	1376081	MOTOR 6 TANK PORT TO C4	1	100R17AR-04x36";-06FORS STRx-06FORS STR
6	1368282	CONNECTS MOTOR 7 "T" PORT TO MOTOR 6 "P" TEE	1	100R17AR-10x21" -10FORS STR X -10FORS STR
7	1368423	CONNECTS MOTOR 6 RETURN TEE TO R2 CENTER MANIFOLD	1	100R17AR-12x50";-10FORS STR x -12FORS STR
8	1376051	CONNECTS MOTOR 6 "T" TEE TO R4 RIGHT WING MANIFOLD	1	100R17AR-10x25-1/2" -10FORS STR X-12FORS STR
9	1368433	CONNECTS CENTER MANIFOLD CD3 TO RIGHT WING MAINFOLD CD	1	100R17AR-4x64";-6FORS STR x -6FORS 45°
10	1376071	CONNECTS MOTOR 7 "P" TEE TO RIGHT WING MANIFOLD P3	1	100R17AR-08x12-1/2";-10FORS STRx-10FORS 90°D32MM
11	1368443	CONNECTS CENTER MANIFOLD P3 TO MOTOR 9 "P" TEE	1	100R17AR-10x99";-10FORS STR x -10FORS 45°
12	1376021	CONNECTS MOTOR 9 "P" TEE TO RIGHT WING MANIFOLD P1	1	100R17AR-08x19-1/2",-08FORS STRx-10FORS STR
12	1376021	CONNECTS MOTOR 6 "P" TEE TO RIGHT WING MANIFOLD P4	1	100R17AR-08x19-1/2",-08FORS STRx-10FORS STR
13	1376061	CONNECTS MOTOR 8 "P" TEE TO RIGHT WING MANIFOLD P2	1	100R17AR-08x14";-10FORSx-8FORS 90°D29

Model SC1500 Specialty Seed Header
For Serial Numbers SC1500-22001 thru SC1500-22999

Hydraulic Hoses (Left)



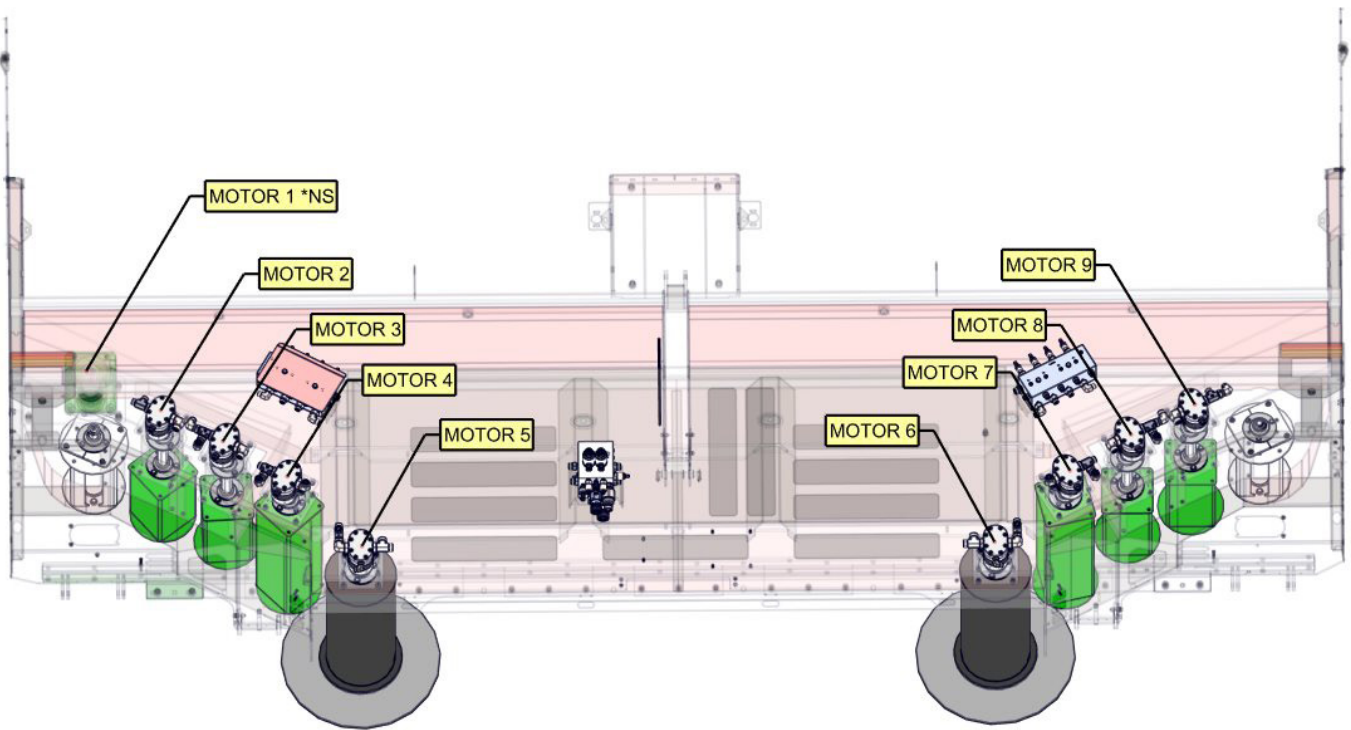
Model SC1500 Specialty Seed Header
For Serial Numbers SC1500-22001 thru SC1500-22999

Hydraulic Hoses (Left)

BOM ID	Hillco Part No.	HoseDescription	Qty	Description
1	1368213	CD PORT #2 MOTOR TO C1 PORT LEFT WING MANIFOLD	1	100R17AR-4x22", -6FORS STR x - 6FORS STR
2	1368223	CONNECTS MOTOR #2 "T" PORT TO MOTOR #3 "P" TEE	1	100R17AR-10x23" -10FORS STR X - 10FORS 90°D32MM
2	1368223	CONNECTS MOTOR #3 "T" PORT TO MOTOR #4 "P" TEE	1	100R17AR-10x23" -10FORS STR X - 10FORS 90°D32MM
3	1368303	CD PORT MOTOR #3 TO C2 PORT LEFT WING MANIFOLD	1	100R17AR-4x21"; -6FORS STR x - 6FORS90°D23MM
3	1368303	CD PORT MOTOR #4 TO C3 PORT LEFT WING MANIFOLD	1	100R17AR-4x21"; -6FORS STR x - 6FORS90°D23MM
4	1368282	MOTOR 4 TANK PORT TO MOTOR 5 "P" TEE	1	100R17AR-10x21" -10FORS STR X - 10FORS STR
5	1368403	CONNECTS MOTOR 5 "T" TO CENTER MANIFOLD R1	1	100R17AR-12x28";-10FORS STR x - 12FORS STR
6	1376051	CONNECTS MOTOR #5 RETURN TEE TO LEFT WING R4	1	100R17AR-10x25-1/2" -10FORS STR X- 12FORS STR
7	1368393	CENTER MANIFOLD CD2 PORT TO LEFT WING MANIFOLD CD PORT	1	100R17AR-4x38-1/2";-6FORS STR x - 6FORS STR
8	1368413	CONNECTS CENTER MANIFOLD P2 PORT TO MOTOR #2 "P" TEE	1	100R17AR-10x77";-10FORS STR x - 10FORS 90°D32MM
9	1376081	CONNECTS MOTOR #5 CD TO WING MANIFOLD CD4 PORT	1	100R17AR-04x36";-06FORS STRx- 06FORS STR
10	1376071	CONNECTS #4 MOTOR "P" TEE TO WING MANIFOLD P3	1	100R17AR-08x12-1/2";-10FORS STRx- 10FORS 90°D32MM
11	1376061	CONNECTS MOTOR #3 "P" PORT TO CENTER MANIFOLD P2	1	100R17AR-08x14";-10FORSx-8FORS 90°D29
12	1376021	CONNECT MOTOR #2 "P" TEE TO WING MANIFOLD P1	1	100R17AR-08x19-1/2",-08FORS STRx- 10FORS STR
12	1376021	CONNECT MOTOR #5 "P" TEE TO WING MANIFOLD P4	1	100R17AR-08x19-1/2",-08FORS STRx- 10FORS STR

Model SC1500 Specialty Seed Header
For Serial Numbers SC1500-22001 thru SC1500-22999

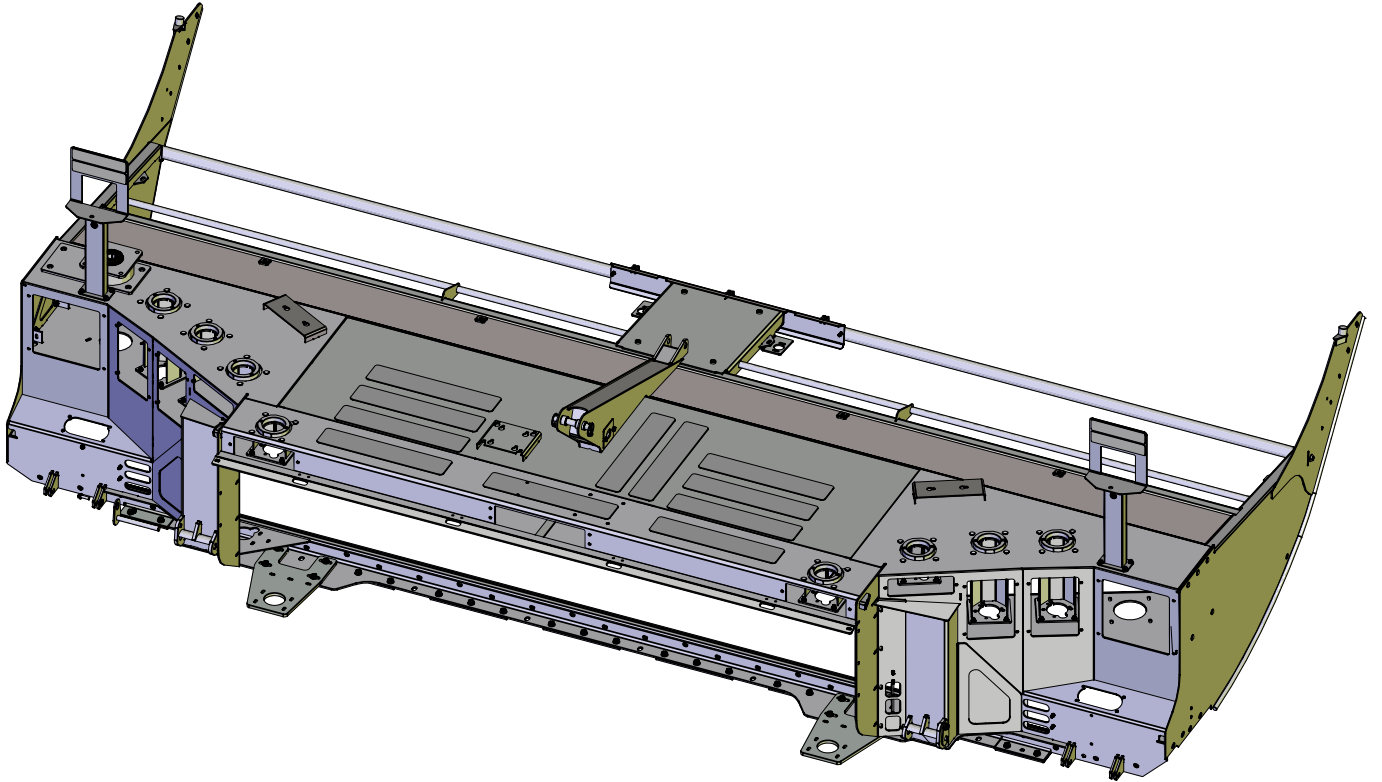
Hydraulic Motors



*NS = Not Shown

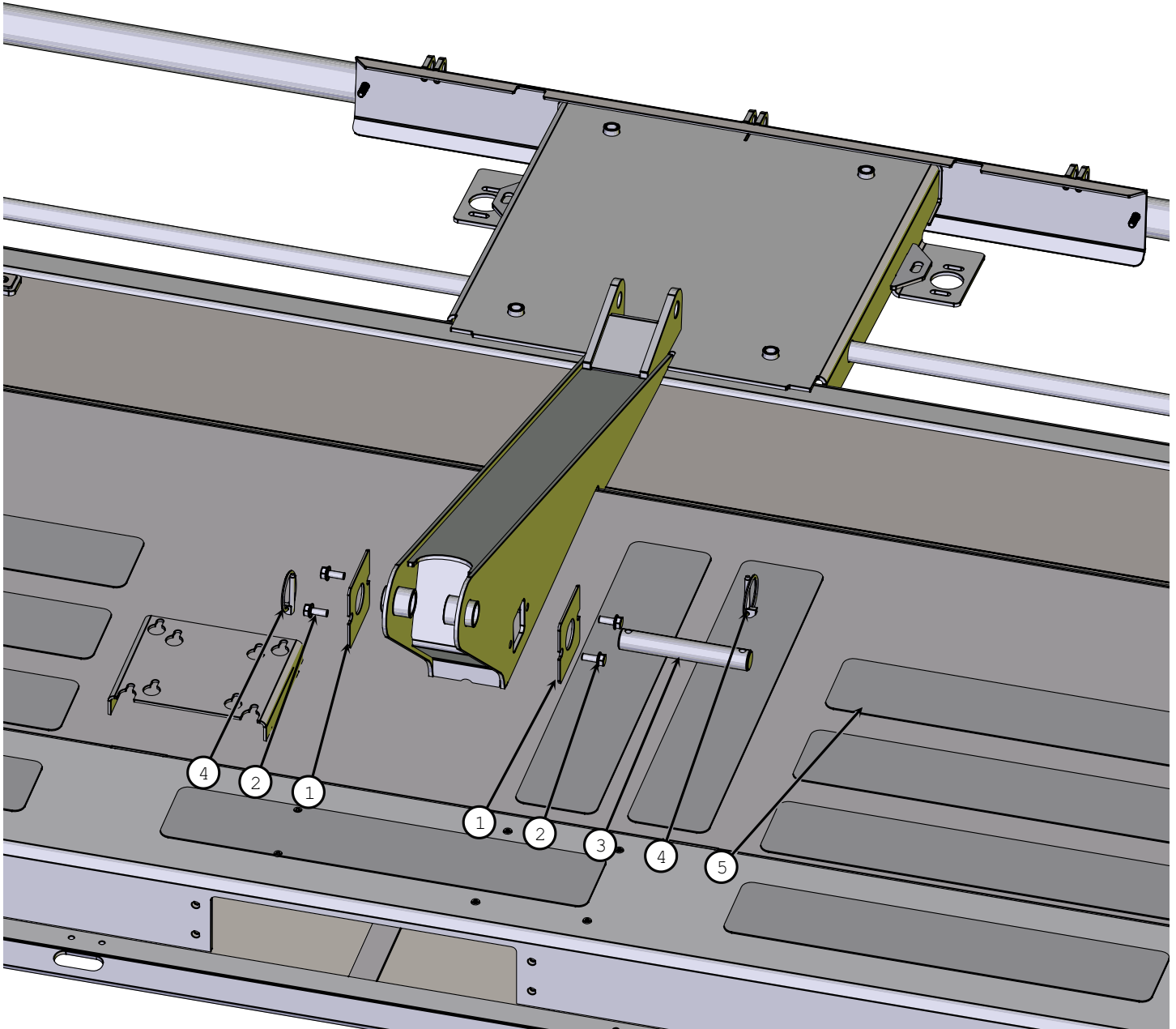
Model SC1500 Specialty Seed Header
For Serial Numbers SC1500-22001 thru SC1500-22999

Frame



Model SC1500 Specialty Seed Header
 For Serial Numbers SC1500-22001 thru SC1500-22999

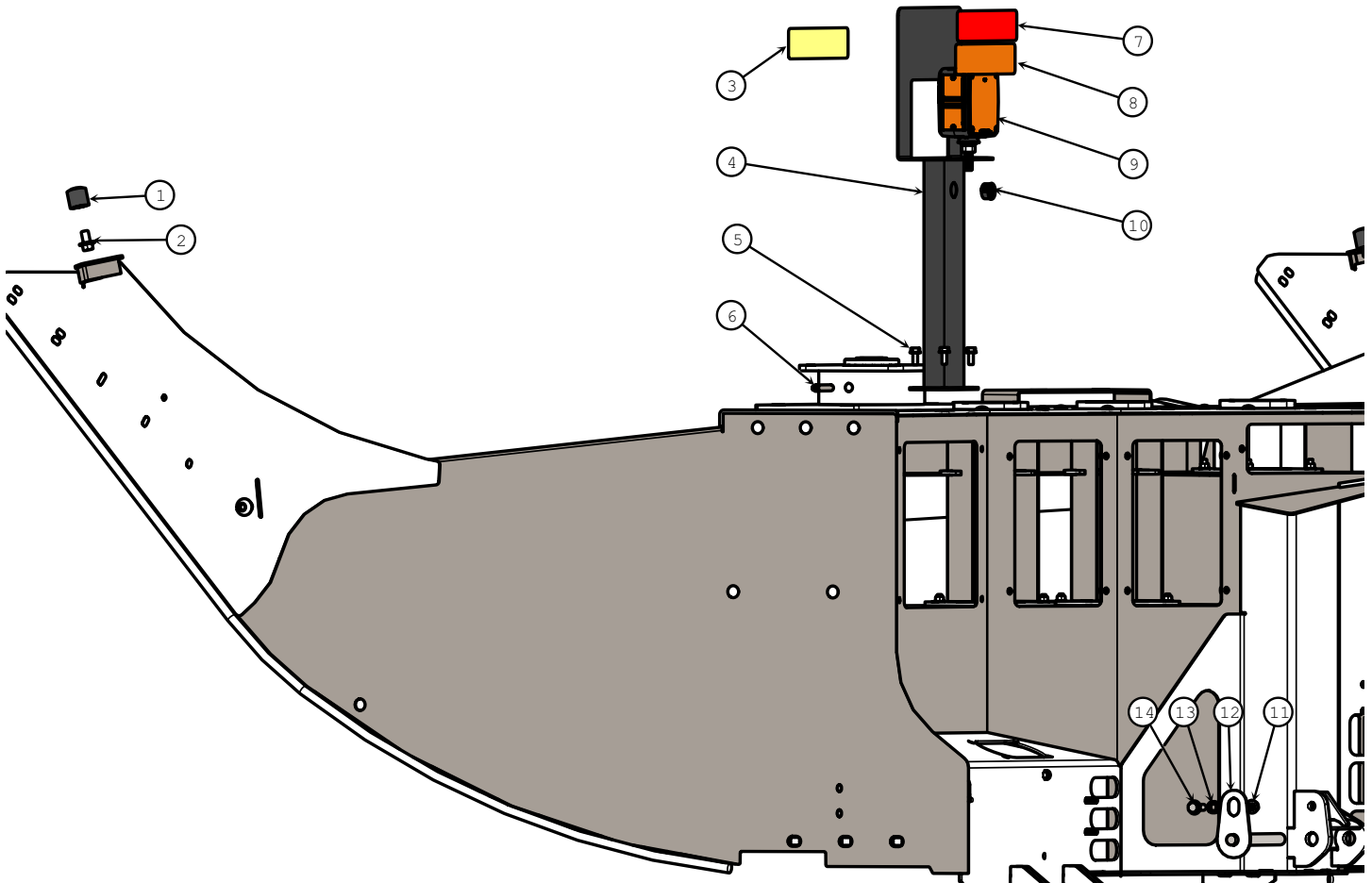
Frame (Center)



BOM ID	Hillco Part No.	Qty	John Deere Part No.	Description
1	1376131	2		PANEL MNT
2	122.008.020	4	19M7866	BOLT, HEX, FLANGE, CL10.9 M8X20
3	1368031	1		PIN, TOP LINK
4	156044	1	AA21292	PIN, QUICK LOCK
5	10262.064.336	11		4" WIDE X 21" LONG

Model SC1500 Specialty Seed Header
 For Serial Numbers SC1500-22001 thru SC1500-22999

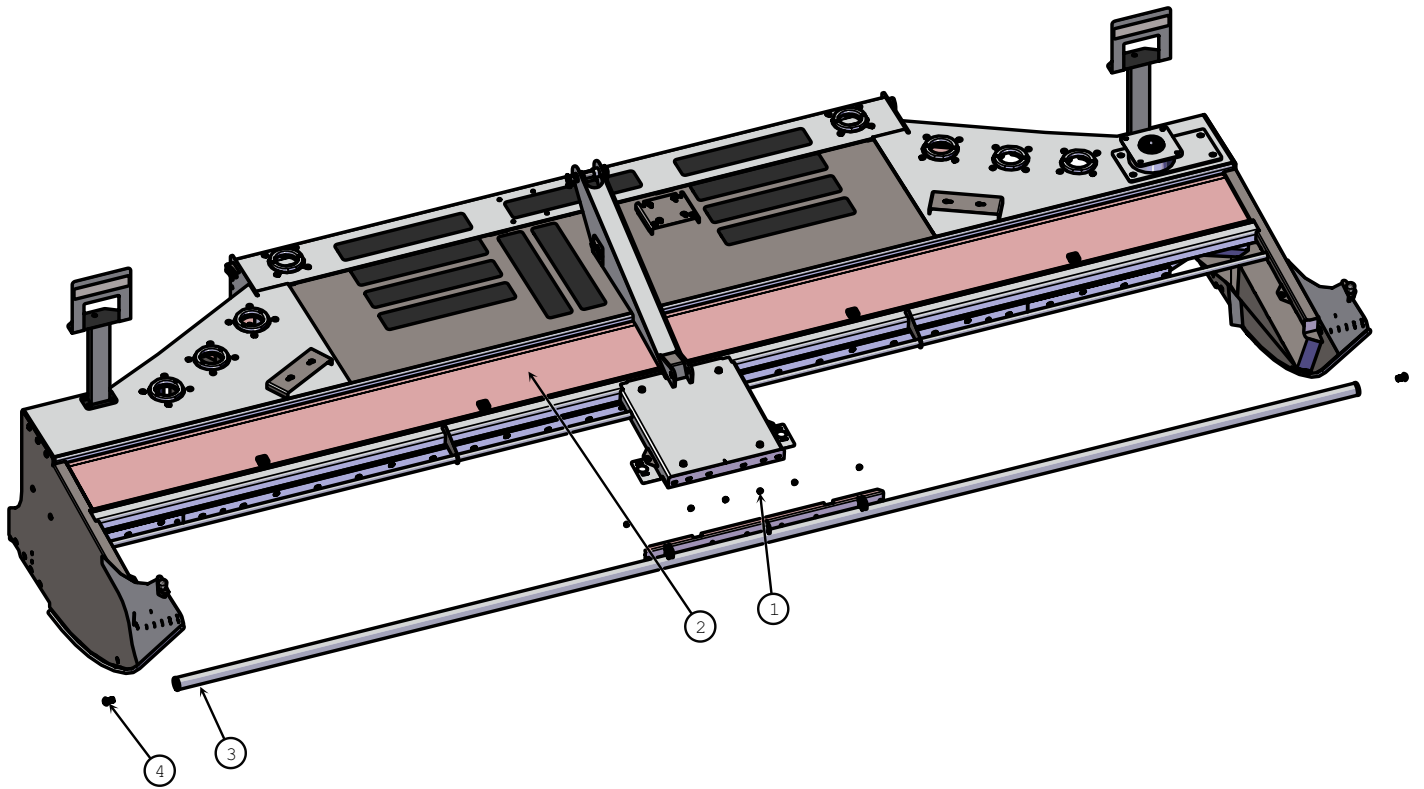
Frame (Left and Right)



BOM ID	Hillco Part No.	Qty	John Deere Part No.	Description
1	156202	1		BUMPER,NEOPRENE, M12x1.75MM, DUROMETER 70A
2	122.012.020	1	19M7787	BOLT, HEX, FLANGE, CL10.9 M12X20MM
3	1347441	1		STICKER, YELLOW, 2"X9"
4	1367831	1		WARNING LIGHT STAND
5	122.008.020	4	19M7866	BOLT,HEX, FLANGE, CL10.9 M8X20MM
6	156009	1		ZERK,GREASE,STR,1/8NPTX 2-5/8" (LEFT ONLY)
7	1347431	1		STICKER, RED, 2"X9"
8	1347451	1		STICKER, RED/ORANGE, 2"X9"
9	156030	1	AFH213195	LAMP, WARNING
10	156029	1		GROMMET, EXPANDABLE LOCKING 1"
11	123.010	1	14M7296	NUT, HEX, FLANGE, CL10 M10
12	1367981	1		LIFT PIN
13	1364061	1		BUSHING, LIFT PIN
14	122.010.035	1	19M7835	BOLT, HEX, FLANGE, CL10.9 M10X35

Model SC1500 Specialty Seed Header
 For Serial Numbers SC1500-22001 thru SC1500-22999

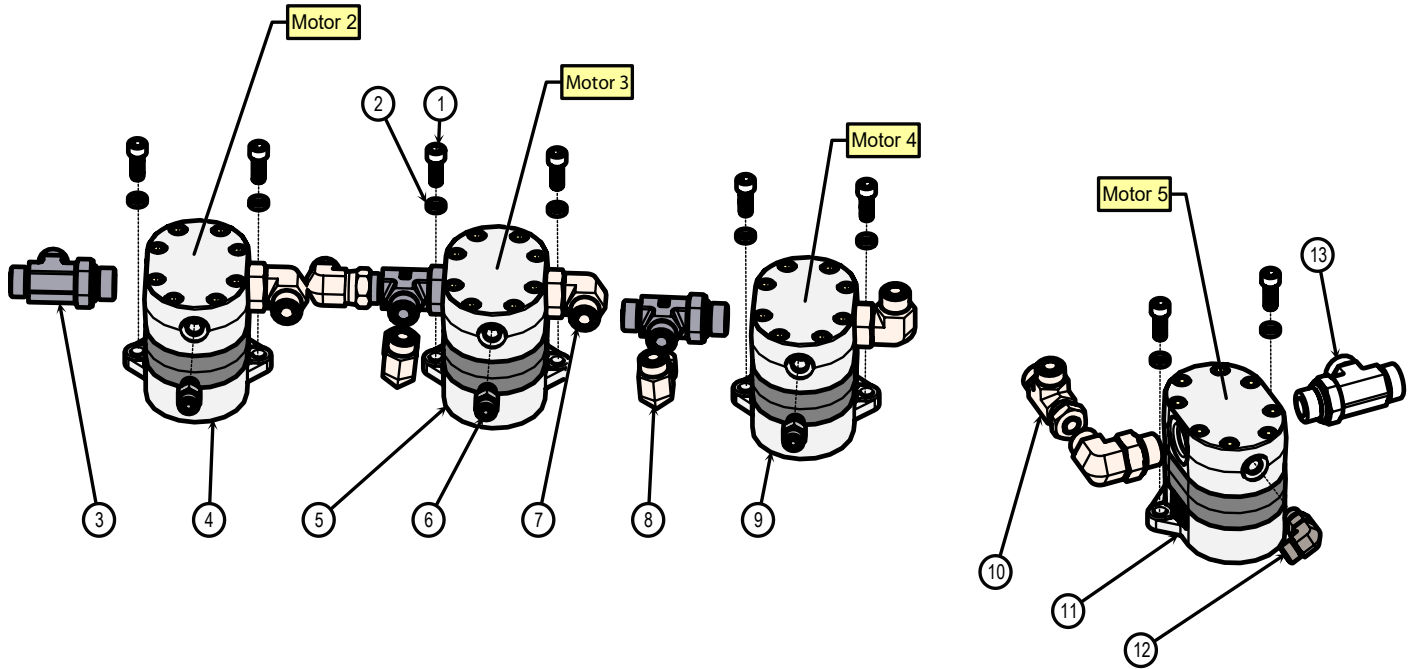
Frame (Front)



Frame (Left)				
BOM ID	Hillco Part No.	Qty	John Deere Part No.	Description
1	123.008	6	14M7298	NUT, HEX, FLANGE, CL10 M8x1.25
2	1368922	1		FRAME
3	1373841	1		FRONT BRACE
4	206.016.030	2		SCREW, BUTTON HEAD SOCKET CAP, CL12.9 M16 X 30MM

Model SC1500 Specialty Seed Header
For Serial Numbers SC1500-22001 thru SC1500-22999

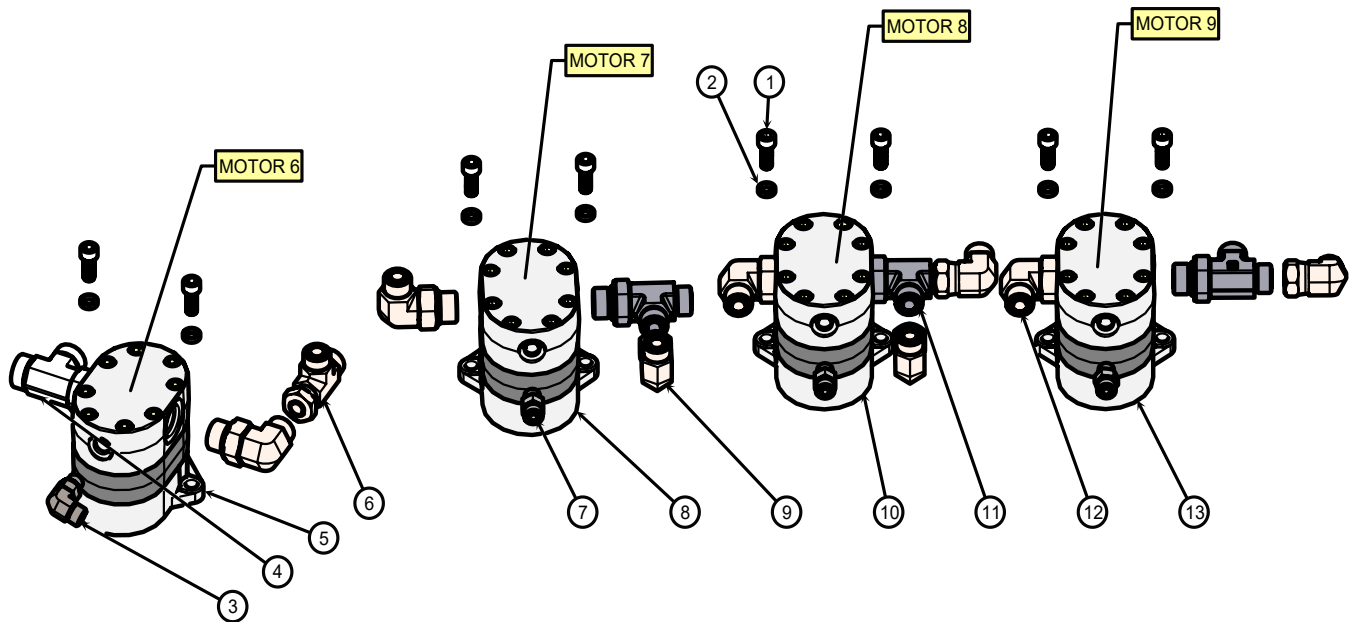
Left Motors And Fittings



BOM ID	Hillco Part No.	John Deere Part No.	Qty	Description
1	237.010.025		8	SCREW,SHC,CL12.9 M10 X 1.5 X 25
2	135.007		8	WASHER,LCK,HIGH COLLAR 7/16
3	1007.12.10		3	HA TEE STR, THD,RUN, -12 ORB X -10 ORS
4	155945	99JD70423	1	MOTOR HYD, 21CC, D SERIES
5	156164		1	MOTOR HYD, 21CC, DSERIES W/SPEED SENSOR
6	1001.06.06		3	HA, STR -6MORB X -6MORFS
7	1003.12.10		4	HA, 90° -12MORB X 10MORFS
8	1006.10.10		3	HA, 90°, -10FORFS X -10MORFS
9	156070	99JD70422	1	MOTOR HYD, 25CC, D SERIES
10	1008.10		1	HA,TEE,SWV,NUT,RUN -10 ORFS
11	156071	99JD70424	1	MOTOR HYD, 32CC, D SERIES
12	1003.06.06		1	HA,90° -6MORB X -6MORFS
13	1007.12		1	HA TEE STR, THD, RUN -12 ORFS

Model SC1500 Specialty Seed Header
 For Serial Numbers SC1500-22001 thru SC1500-22999

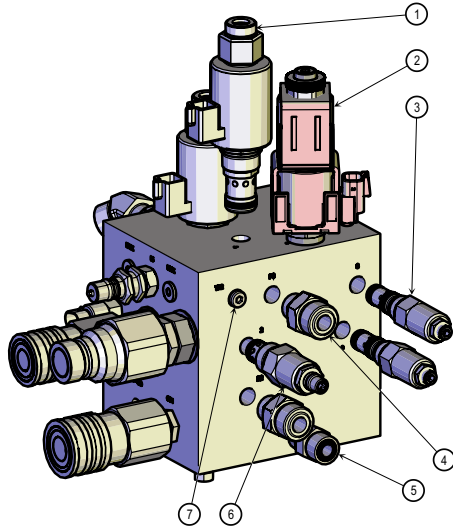
Right Motors And Fittings



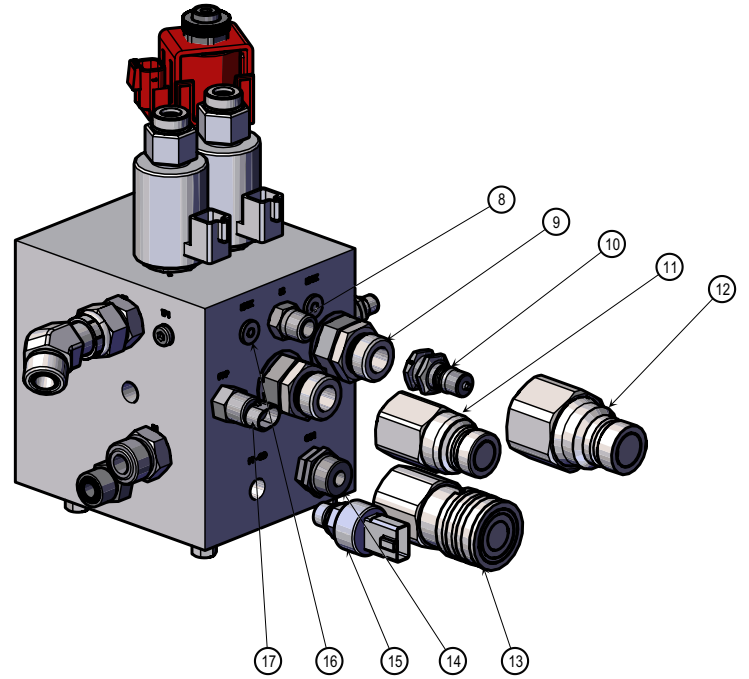
BOM ID	Hillco Part No.	John Deere Part No.	Qty	Description
1	237.010.025		8	SCREW,SHC,CL12.9 M10 X 1.5 X 25
2	135.007		8	WASHER,LCK,HIGH COLLAR 7/16
3	1003.06.06		3	HA,90° -6MORB X -6MORFS
4	1007.12		1	HA TEE STR, THD, RUN 12 ORFS
5	156071	99JD70421	1	MOTOR HYD, 32CC, D SERIES
6	1008.10		3	HA,TEE,SWV,NUT,RUN -10 ORFS
7	1001.06.06		4	HA, STR -6MORB X -6MORFS
8	156070	99JD70422	3	MOTOR HYD, 25CC, D SERIES
9	1006.10.10		1	HA, 90°, -10FORFS X -10MORFS
10	156164		1	MOTOR HYD, 21CC, DSERIES W/SPEED SENSOR
11	1007.12.10		1	HA TEE, STR,THD,RUN,-12ORBx-10ORS
12	1003.12.10		1	HA, 90° -12MORB X 10MORFS
13	155945	99JD70422	1	MOTOR HYD, 21CC, D SERIES

Model SC1500 Specialty Seed Header
For Serial Numbers SC1500-22001 thru SC1500-22999

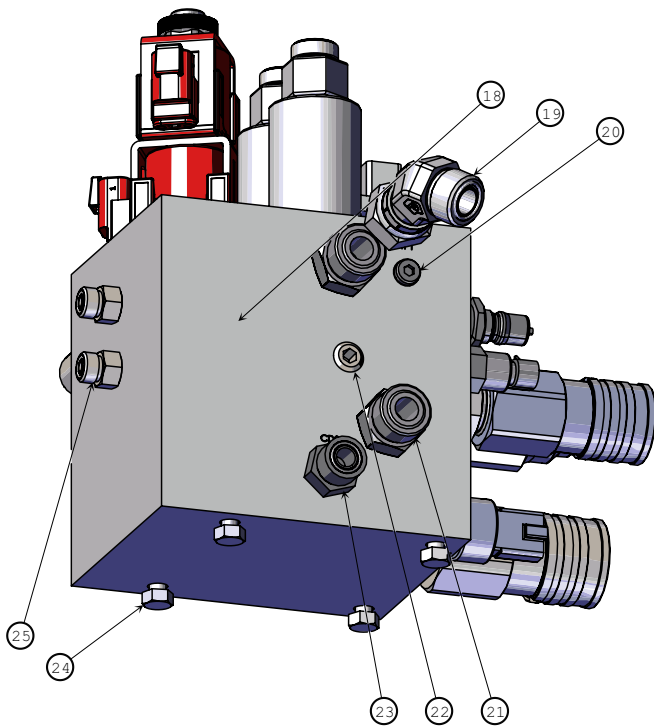
Center Manifold



Right and Top



Rear



Left and Front

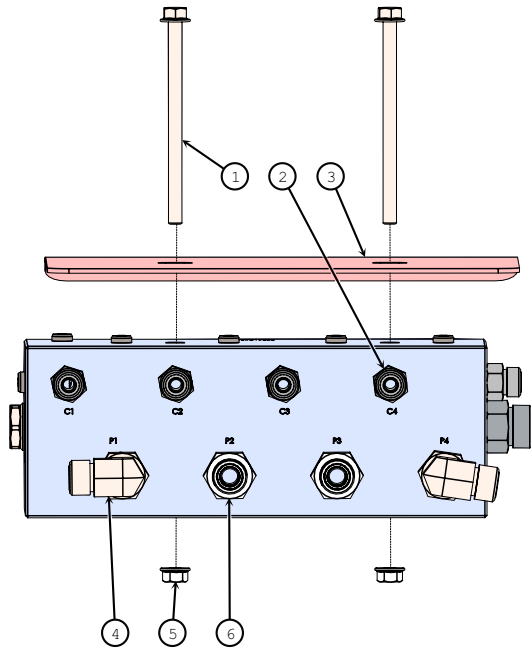
Model SC1500 Specialty Seed Header
 For Serial Numbers SC1500-22001 thru SC1500-22999

Center Manifold

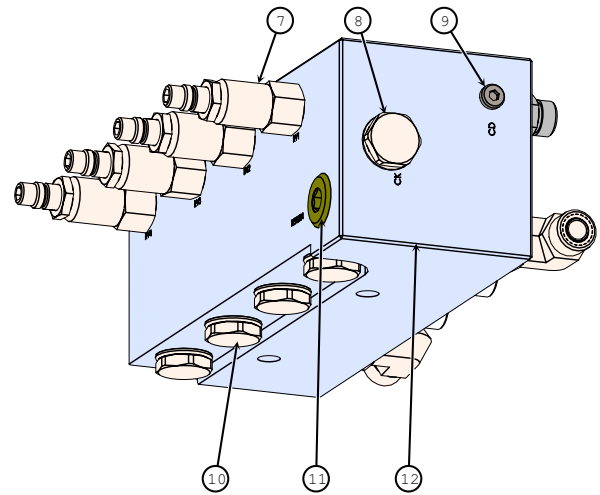
BOM ID	Hillco Part No.	Qty	John Deere Part No.	Description
1	156124	2	99JD71506	VALVE, PROPORTIONAL, FLOW CONTROL
2	156126	1	99JD71519	VALVE, SOLENOID, DIRECTING ACTING, 3-POS, 5-WAY
3	156128	2	99JD71531	VALVE, LOAD CHECK,3 PORTED,
4	1001.08.10	2		HA, STR -8MORB X -10MORFS
5	1001.08.06	1		HA, STR -8MORB X -6MORFS
6	156125	1	99JD70101	VALVE, RELIEF, PILOT OPERATED, 3KPSI
7	1019.04	1	99JD71523	PLUG, SKT, HD -4ORB
8	1027.04.06	1		STRAIGHT -4MORB X -6MORB
9	1027.12.12	2		STRAIGHT -12MORB X -12MORB
10	156118	1		COUPLING PLUG HYD, QUICK 1/4" BODY, -6ORB
11	156115	1		COUPLER COUPLING, HYD QUICK, -12FORB
12	156113	1		COUPLER PLUG, HYD, QUICK, -12FORB
13	156116	1		COUPLER COUPLING, HYD QUICK, -10FORB
14	1027.08.10	1		STRAIGHT -8MORB X -10MORB
15	156132	1	AXE16689	TRANSDUCER, OIL PRESSURE
16	156127	2	99JD71507	VALVE, CHECK, REVERSE FLOW, CP104-1
17	156131	1	RE204264	SENSOR, OIL PRESSURE
18	1372871	1	99JD71522	CENTER MANIFOLD
19	1005.10.10	1		HA 45° -10MORS -10FORS
20	1019.04	1	99JD71523	PLUG, SKT, HD -4ORB
21	1001.08.10	2		HA, STR -8MORB X -10MORFS
22	1019.06	1		HA, PLUG, SKT, HD
23	1001.08.06	1		HA, STR -8MORB X -6MORFS
24	101.005.012	4		BOLT, HEX, GR5, 5/16-18 X 34
25	1001.04.04	2		HA, STR -4MORB X -4MORFS

Model SC1500 Specialty Seed Header
For Serial Numbers SC1500-22001 thru SC1500-22999

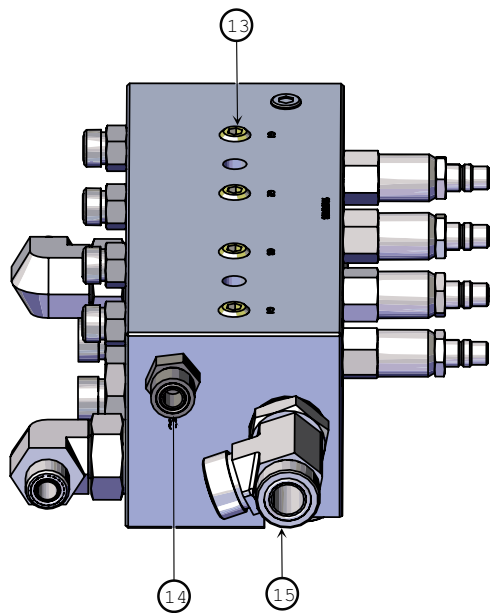
Left Manifold



Rear



Left, Bottom, and Front



Right and Top

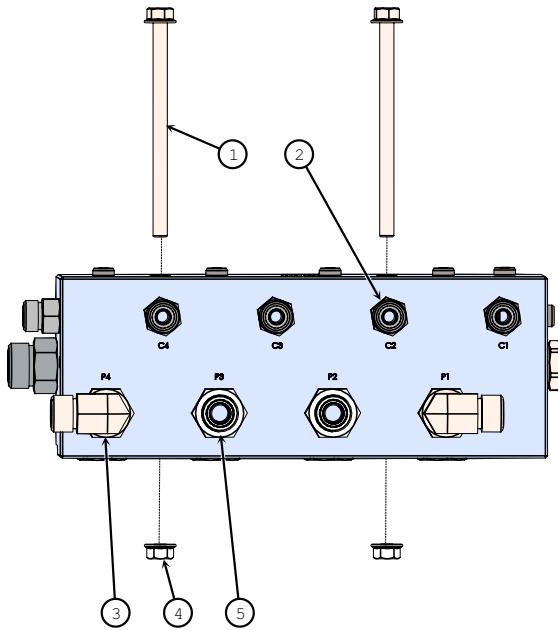
Model SC1500 Specialty Seed Header
For Serial Numbers SC1500-22001 thru SC1500-22999

Left Manifold

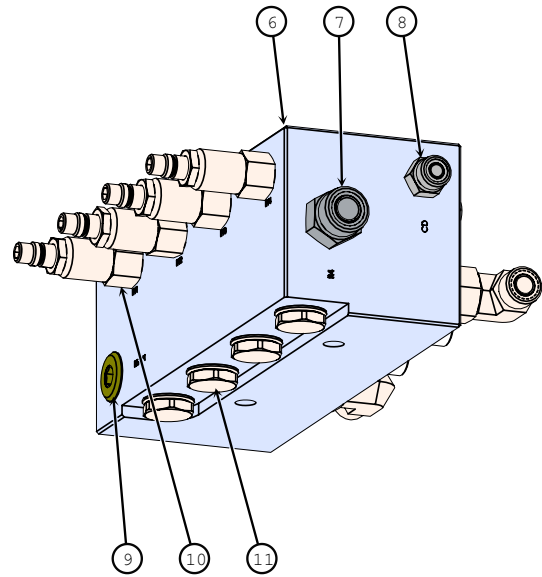
BOM ID	Hillco Part No.	Qty	John Deere Part No.	Description
1	122.008.120	2	19M8006	BOLT, HEX, FLANGE, CL,10.9 M8 X 120MM
2	1001.06.06	4		STRAIGHT -6MORB X -6MORFS
3	1369471	1		HOSE SHIELD
4	1003.10.08	2		90° -10MORB X -8MORFS
5	123.008	2	14M7298	NUT, HEX, FLANGE, CL10 M8
6	1001.10.08	2		STRAIGHT, -8MORS X -10MORB
7	156120	4	99JD71508	VALVE, RELIEF, DIRECT-ACTING POPPET,3KPSI
8	156122	1	99JD70102	VALVE, CHECK, POPPET,15PSI,CV10
9	1019.04	1		PLUG, SKT, HD -4ORB
10	156123	4	99JD71507	POPPET, 5PSI, CV08
11	1019.10	1		PLUG, SKT, HD -10ORB
12	1372891	1		MANIFOLD, HYD, WING, LEFT
13	1019.06	5		HA:PLUG:SKT:HD -6ORB
14	1001.08.06	1		HA, STR -8MORB X -6MORFS
15	1007.12	1		HA TEE STR, THD, RUN 12 ORFS

Model SC1500 Specialty Seed Header
For Serial Numbers SC1500-22001 thru SC1500-22999

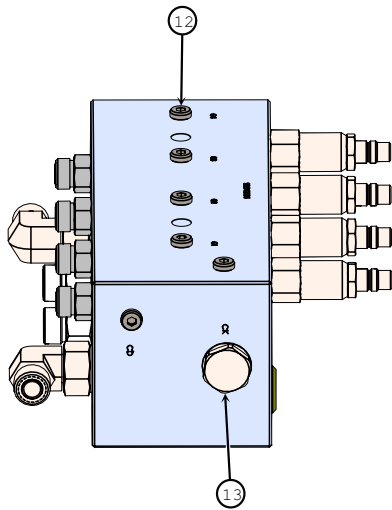
Right Manifold



Rear



Left, Bottom, and Front



Right and Top

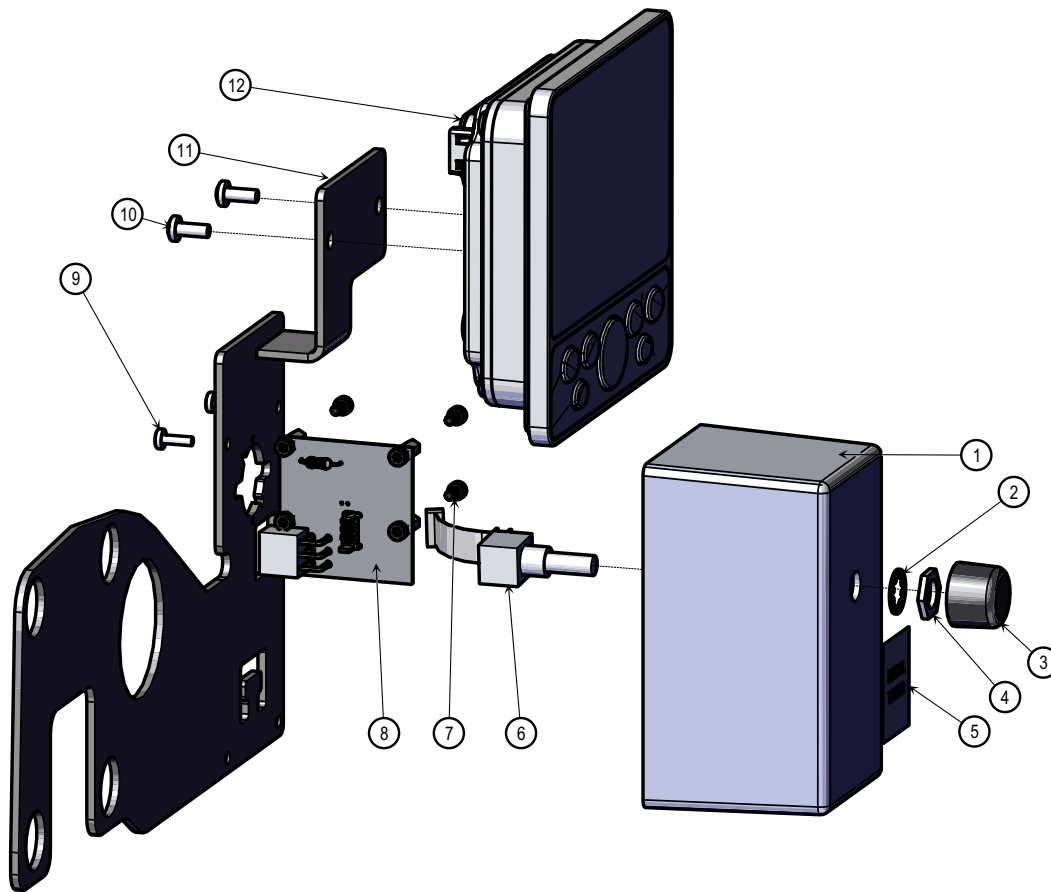
Model SC1500 Specialty Seed Header
 For Serial Numbers SC1500-22001 thru SC1500-22999

Right Manifold

BOM ID	Hillco Part No.	Qty	John Deere Part No.	Description
1	122.008.120	2	19M8006	BOLT, HEX, FLANGE, CL,10.9 M8 X 120MM
2	1001.06.06	4		STRAIGHT -6MORB X -6MORFS
3	1003.10.08	2		90° -10MORB X -8MORFS
4	123.008	2	14M7298	NUT, HEX, FLANGE, CL10 M8
5	1001.10.08	2		STRAIGHT, -8MORS X -10MORB
6	156130	1	99JD71504	MANIFOLD, HYD, WING, RIGHT
7	1001.10.10	1		STRAIGHT -10MORB X -10MORFS
8	1001.06.06	1		STRAIGHT -6MORB X -6MORFS
9	1019.10	1		PLUG, SKT, HD -10ORB
10	156120	4	99JD71508	VALVE, RELIEF, DIRECT-ACTING POPPET, 3KPSI
11	156123	4	99JD71507	VALVE, CHECK, POPPET, 5PSI, CV08
12	1019.04	6		PLUG, SKT, HD -4ORB
13	156122	1	99JD71502	VALVE CHECK, POPPET, 15PSI, CV10

Model SC1500 Specialty Seed Header
For Serial Numbers SC1500-22001 thru SC1500-22999

Display



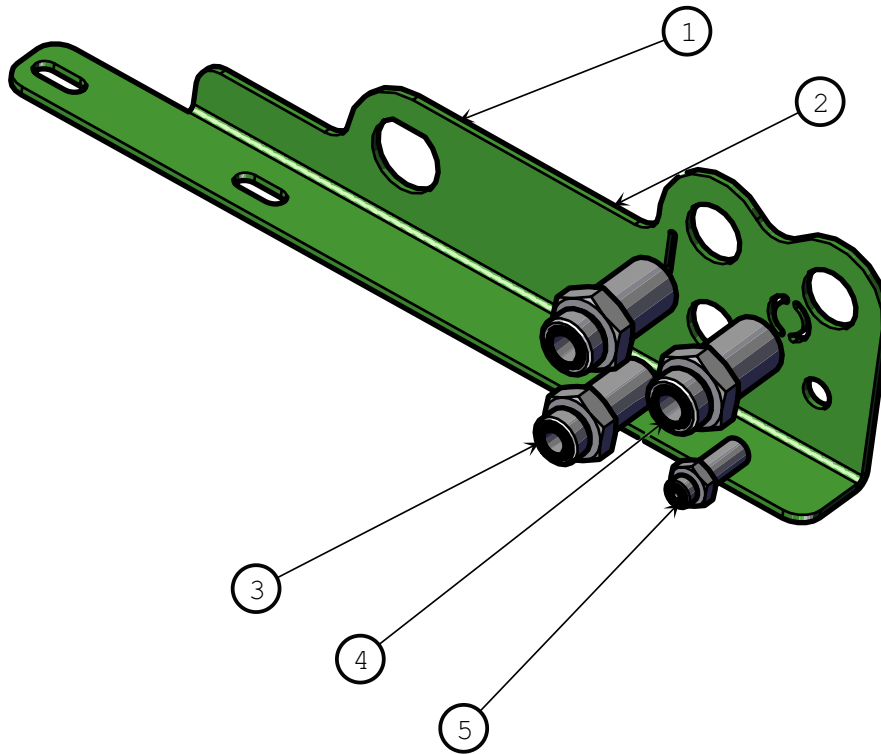
BOM ID	Hillco Part No.	Qty	John Deere Part No.	Description
1	1377591	1		BOX, ENCODER MOUNT
2	138.006	1		WASHER, INTERNAL TOOTH, 3/8"
3	156230	1		KNOB, ENCODER
4	174.006	1		NUT, JAM, 3/8"
5	156238	1		DECAL, SWITCH BOX, SPECIALTY HEADER
6	156227	1		ENCODER, OPTICAL
7	237.003.006	4		SCREW, ALLOY STEEL SOCKET HEAD 6MM
8	1377601	1		PCB, VOLTAGE REGULATOR CIRCUIT, 5V
9	114.#06.006	4		SCREW, PAN HEAD MACHINE, CH 6-32X3/8
10	171.004.010	2	99JD81019	SCREW, PAN HEAD MACHINE, CH M4 X 10
11	1347232	1		MOUNT, 700 SERIES LEVELER CONTROLS
12	156038	1		DISPLAY, DANFOSS, DM430E-1-0-1-0

Model SC1500 Specialty Seed Header
For Serial Numbers SC1500-22001 thru SC1500-22999

Electrical

BOM ID	Hillco Part No.	Qty	Description
ns*	1375671	1	HARNESS, HCU PRIMARY
ns*	1375681	2	HARNESS, HCU LIGHT EXTENSION
ns*	1375691	1	HARNESS, HCU LEFT CONTROL
ns*	1375701	1	HARNESS, HCU RIGHT CONTROL
ns*	1377701	6	ROCK LIGHT WITH CONNECTOR
ns*	114.#08.008	12	SCREW, PHM, CH #8-32 X 1/2" (ROCK LIGHT)
ns*	1375992	1	HARNESS, HCU CAB
ns*	146521	1	WEDGE, BLACK,2-SOCKET, B-KEY,
ns*	146531	1	Y-CONNECTOR,BLACK,DTM SERIES
ns*	146541	1	PLUG,GRAY,120-OHM RESISTOR, DTM SERIES
ns*	1376002	1	HARNESS, HCU CAN EXTENSION
ns*	1376011	1	HARNESS, WET KIT
ns*	1376241	1	HARNESS, DEERE SERVICE
ns*	156052	1	SENSOR, ASSY.,MAGNETIC PICKUP
ns*	1374903	1	POWER BUS SPLITTER, 60A PLUS-1-38PIN
ns*	156176	2	GROMMET, 3/4"HOLE & 1/32-1/4"MAT, BLACK
ns*	156211	1	POWER BUS SPLITTER, 60A
ns*	1376251	1	HARNESS, HILLCO SERVICE

Model SC1500 Specialty Seed Header
 For Serial Numbers SC1500-22001 thru SC1500-22999
Bulkhead



BOM ID	Hillco Part No.	Qty	John Deere Part No.	Description
1	1373622	1		BULKHEAD MNT
2	1378491	1		BULKHEAD
3	1054.10	1		BULKHEAD STR -10MORFS x -10 MORFS
4	1054.12.12	2		BULKHEAD -12 ORFS
5	1054.04.04	1		BULKHEAD -4 ORFS

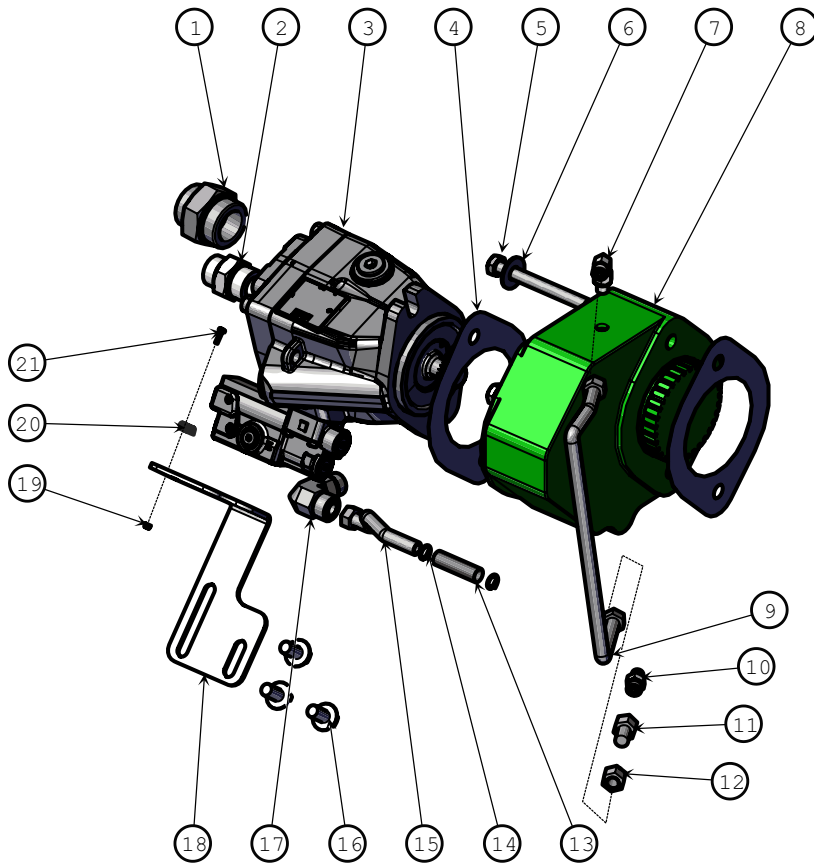
Model SC1500 Specialty Seed Header
 For Serial Numbers SC1500-22001 thru SC1500-22999

Pump Kit Hoses

BOM ID	Hilco Part No.	Qty	John Deere Part No.	Description
ns*	1372682	1		HOSE 100R17AR -12x58-1/2",-12FF STR X -16ff 90° D56MM
ns*	1372692	1		HOSE 100R17AR -16 x 51-1/2" -16FF STR X -16FF 90° D56MM
ns*	1372721	1		HOSE 100R17AR -04 X 124" -04FORS STR X-04FORFS 90°D32MM
ns*	1372731	1		HOSE 100R17AR -12 X 124" -12FORS X -12FORS 45°
ns*	1372742	1		HOSE 100R17AR -10 X 64" -10FORS X -10FORS 90° D32MM
ns*	1372752	1		HOSE 100R17AR -10 X 80" -10FORS STR X -10FORS STR
ns*	1372761	1		HOSE 100R17AR -20 X 91" -16FORS X -20FORS 45°
ns*	1372802	1		HOSE 100R17AR -12 X 31" -12FORS STR X -16FORS
ns*	1372811	2		HOSE 100R17AR -12 X 64-1/2" -12FORS X -12MORB
ns*	1372821	1		HOSE 100R17AR -10 X 65" -10FORS X -10MORB
ns*	1372831	1		HOSE 100R17AR -04 X 67-1/2" -4FORS X -6MORB

Model SC1500 Specialty Seed Header
For Serial Numbers SC1500-22001 thru SC1500-22999

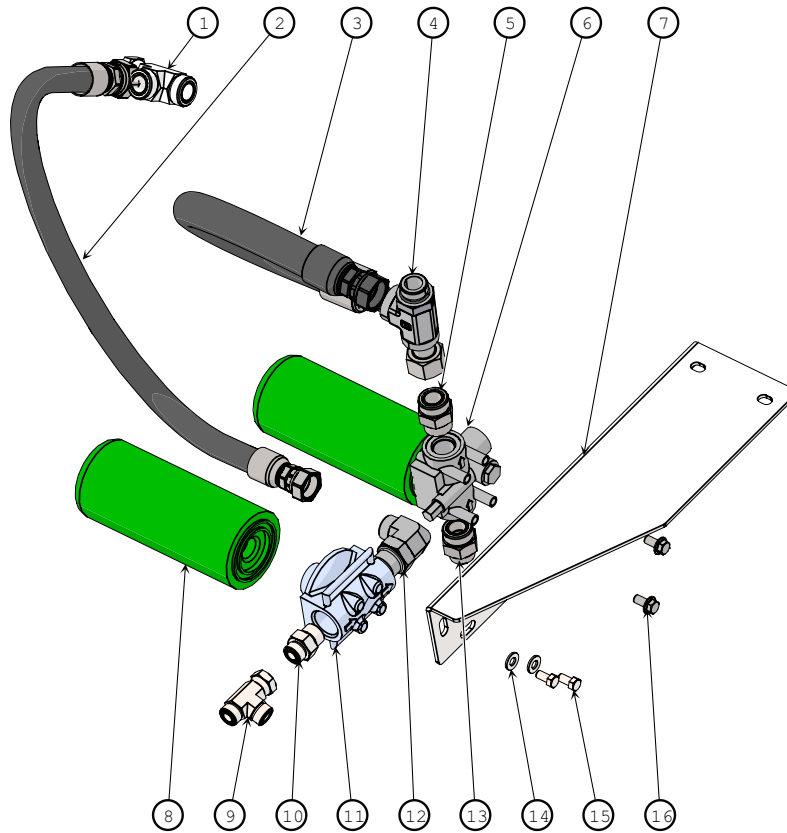
Pump and Gearcase



BOM ID	Hillco Part No.	Qty	John Deere Part No.	Description
1	1001.24.20	1		STRAIGHT, -24MORB x -20MORFS
2	1001.16.12	1		STRAIGHT, -16MORB X -12MORFS
3	156091	1		PUMP, SERIES 45. AXIAL PORTED
4	156152	2	R522690	GASKET
5	121.012.110	2		BOLT,HEX,CL10.9 M12 X 1.75 X 110
6	105.008	2		WASHER, FLAT 1/2"
7	1003.04.04	1		90° -4MORB X -4MORFS
8	156151	1	RE544941	AUXILIARY DRIVE, ASSEMBLY
9	156158	1	RE539061	OIL LINE
10	1001.04.04	1		STRAIGHT, -4MORB X -4MORFS
11	156159	1	R110664	COUPLING
12	156160	1	15H700	BUSHING, PIPE
13	10315.00065	1	DIN73411	HOSE,HEATER, 5/8"x 2-1/2"
14	156155	2	M19356	HOSE CLAMP
15	156156	1	RE539062	OIL LINE,
16	122.012.025	3		BOLT,HEX,FLANGE,CL10.9 M12X25
17	1025.22.10	1		MALE O-RING FACE 90° X MALE METRIC
18	1378421	1		HYD PUMP SUPPORT
19	119.#06	1		NUT,HEX,FLANGE,SERRATED 6-32
20	156032	1		BUMPER,UNTHREADED, TAPERED RND 43/64"OD X 1/4" HIGH
21	114.#06.008	1		SCREW,PHM,CH 6-32X1/2

Model SC1500 Specialty Seed Header
For Serial Numbers SC1500-22001 thru SC1500-22999

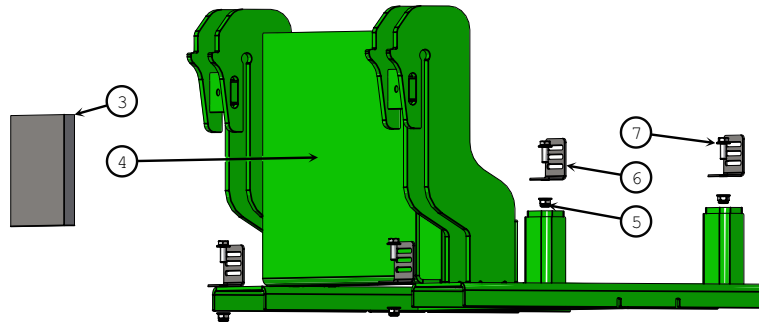
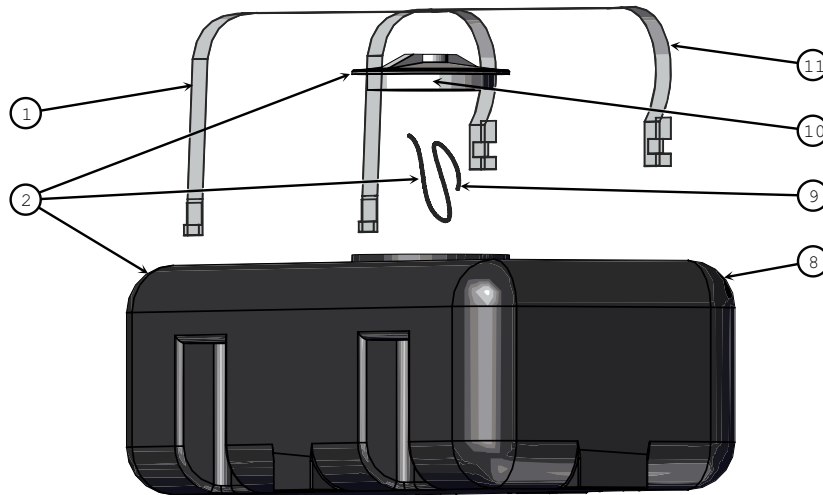
Filter



BOM ID	Hillco Part No.	Qty	John Deere Part No.	Description
1	1008.16	1		TEE,SWIVEL,NUT,RUN
2	1372802	1		HOSE, 100R17AR-12x31";-12FFORS STRx-16FFORS
3	1372692	1		HOSE, 100R17AR-16x51-1/2";-16FF STRx-16FF 90° 56MM
4	1083.016	1		TEE SAE ORB, RUN -16ORB
5	1001.16.16	1		-16MORB x -16MORFS
6	143441	1	AH125733	FILTER ASSEMBLY, OIL
7	1378281	1		DUAL FILTER MNT
8	156161	1	AH128449	OIL FILTER
9	1008.10	1		SWV,NUT,RUN
10	1001.16.10	1		-16MORBx-10MORFS
11	156119	1		HYDRAULIC FILTER HEAD, SAE-16, 4 PSI BYPASS
12	1003.16.12	1		-16MORB x-12MORFS
13	1001.12.16	1		-16MORB X -12MORFS
14	105.006	2		WASHER,FLT 3/8
15	102.006.012	2		BOLT,HEX,GR8 3/8-16X3/4"
16	122.010.020	2		BOLT,HEX,FLANGE,CL10.9 M10X20

Model SC1500 Specialty Seed Header
 For Serial Numbers SC1500-22001 thru SC1500-22999

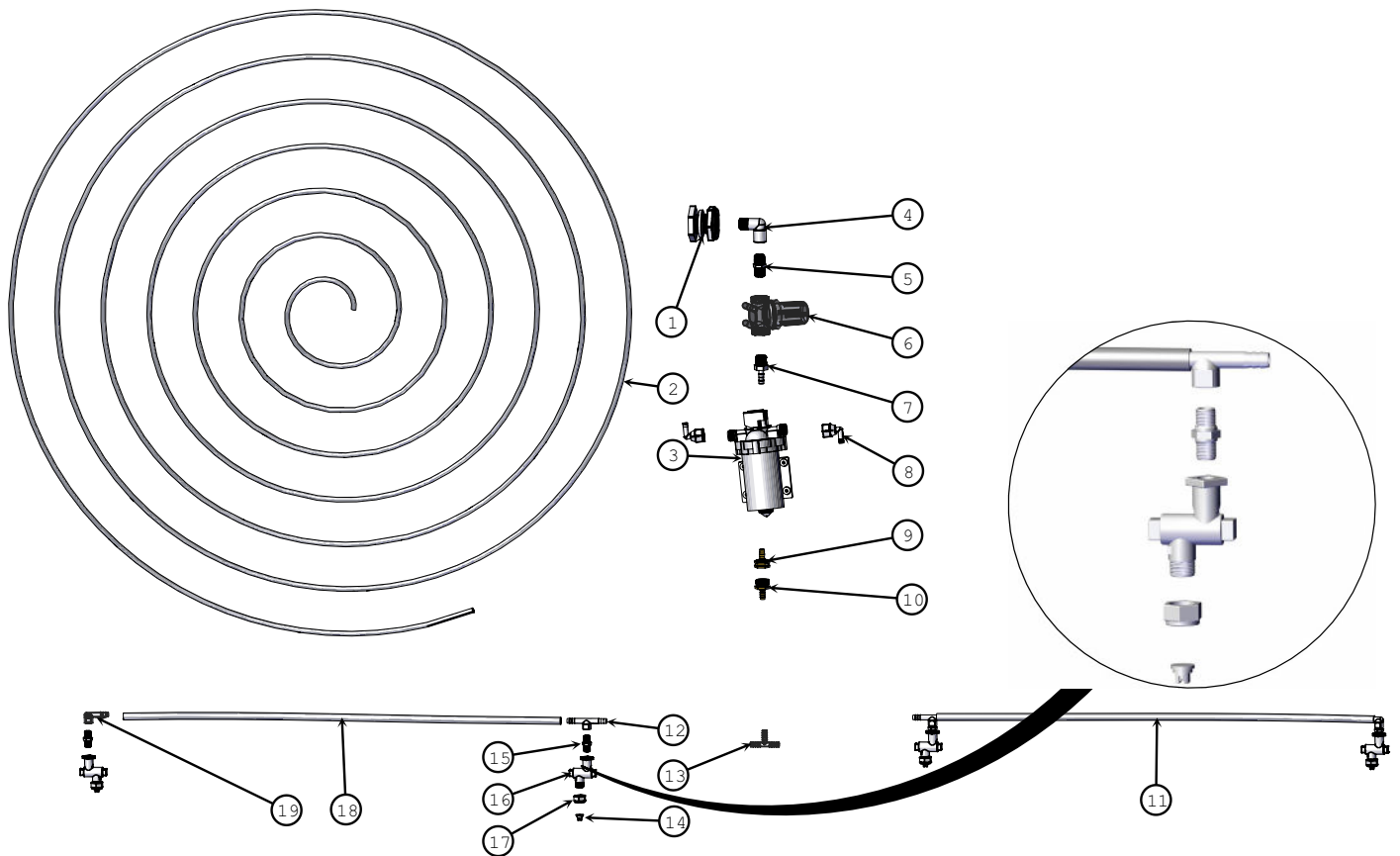
Spray Kit Option - Frame And Tank



BOM ID	Hilco Part No.	Qty	John Deere Part No.	Description
1 & 11	10298.32.00832	1	50TRSWB	STRAP, WOVEN NYLON 2" X 52"
2	1374691	1	50RTFWB	50 GALLON POLYETHYLENE TANK AND LID
3	10299.134	1		WEIGHT, 134 LBS
4	1374241	1		SPRAY KIT FRAME
5	127.010	4	TY15930	NUT, HEX, FLANGE, NYLOCK M10
6	1374641	4		TANK STRAP BUCKLE
7	122.010.025	4		BOLT, HEX, FLANGE, CL10.9 M10 X 25MM
8	156166	1		50 GALLON POLYETHYLENE TANK
9	10296.02.00288	1	TY15930	NYLON ROPE, 1/8" X 18"
10	156167	1		8" LID WITH AIR VENT

Model SC1500 Specialty Seed Header
 For Serial Numbers SC1500-22001 thru SC1500-22999

Spray Kit Option - Hose And Pump



BOM ID	Hillco Part No.	Qty	John Deere Part No.	Description
1	156216	1	PMT050	1/2" POLY, EPDM TANK FITTING
2	10304.06.08832	1	K3155-38	TUBING, 3/8" DIA X 552" PVC W/SPIRALED POLY YARD
3	156165	1	2088-343-135	12VDC,45PSI,3.0GPM, 1/2"NPSM DIAPHRAM PUMP, 2088 SERIES
4	156219	1	PMHB050-90	1/2" POLY STREET ELBOW 90°
5	156220	1	PMN1050-SH	1/2" SHORT POLY NIPPLE
6	156221	1	PMLSTM050-50	MINI T-STRAINER W/30 MESH SCREEN
7	156217	1	PMNB050-38	POLY MALE STRT HOSE BARB, 1/2"MPT X 3/8" BARB
8	156169	2		WINGNUT SWIVEL ELBOW
9	156222	1	3/8GHF	FITTING, 3/8"BARB X FEMALE GARDEN HOSE FITTING
10	156223	1	3/8GHM	FITTING, 3/8" BARB X MALE GARDEN HOSE FITTING
11	10304.06.00568	1	K3155-38	TUBING, 3/8" DIA X 35.5" PVC W/SPIRALED POLY YARD
12	156215	2	13435-406NYB	1/4" FPT X 3/8 HOSE BARB TEE
13	156218	1	3T38	3/8" POLY HOSE BARB TEE
14	156171	4	TP8006EUS	TEE JET 8006EVS SPRAY TIP 80°
15	1078.04	4	PMNIP025-SH	NIPPLE, POLY PIPE 1/4" SHORT
16	156168	4	8600-1/4T-NYB	1/4" FPT 1 OUTLET SWIVEL NOZZLE BODY
17	156170	4	CP8027-NYB	TEEJET NYLON CAP, CP8027-NYB
18	10304.06.00568	1	K3155-38	TUBING, 3/8" DIA X 35.5" PVC W/SPIRALED POLY YARD
19	156214	2	13434-406NYB	ADAPTER, 1/4" FPT 3/8 HOSE SHANK

Decals



1377451 (RH)



1377471 (LH)

! WARNING

Components behind guards or access doors in this area may rotate possibly several minutes, after power is shut off.

To avoid bodily injury:

1. Look and listen for evidence of rotation.
2. Do not open or move guard or access door until all components have stopped.

156041

! WARNING



AVOID INJURY FROM ROTATING KNIVES

- Keep hands and feet away while machine is running
- Shut off power to service, lubricate or fold for transport.

156042

! DANGER



Entanglement in rotating driveline can cause serious injury or death.

Keep all shields in place.

Avoid contact with rotating parts.

156045

! WARNING



Avoid serious injury from entanglement. Never raise shield with the engine running. Stop engine and remove key.

156046

! DANGER



PINCH POINT HAZARD

- Keep hands, feet and body away from moving parts.
- Do not stand or climb on machine when operating.

155139

Model SC1500 Specialty Seed Header
 For Serial Numbers SC1500-22001 thru SC1500-22999

Decals



147651



100790

BOM ID	Hillco Part No.	John Deere Part No.	Qty	Description
ns*	1347431		2	STICKER, RED, 2"X9"
ns*	1347441		2	STICKER, YELLOW, 2"X9"
ns*	156184	JD5922	2	STICKER, RED/ORANGE, 2"X9"