

Model JH7010 Hillco Leveling System  
For Serial Numbers JH7010-16001 thru JH7010-16999



# **Model JH7010 Hillside Leveling System Parts Manual**

SN JH7010-16001 thru JH7010-16999

For John Deere S660 & S670  
S Series Combines

D-120703CMA01D



# JH7010 Hillside Leveling System

For S660 & S670 S Series Combines

## Table of Contents

<b>General Information</b>	<b>3</b>
Serial Number Location	3
Text and Illustrations	3
Abbreviations	3
Right and left Identification	3
Part Orders	3
<b>Transition</b>	<b>4</b>
Transition Throat	5
Transition Beater Drive	7
Radial Pin Slip Clutch	9
Transition Middle/Tilt Sensor	10
Transition Header Adapter	13
<b>Carriage</b>	<b>14</b>
Overcarriage	15
Undercarriage	17
Carriage Misc. Parts	18
Carriage Position Sensor	19
<b>Drive Wheel</b>	<b>21</b>
<b>Drop Axle</b>	<b>22</b>
<b>Hydraulic Components</b>	<b>23</b>
Hydro Hose Adapters	24
Leveling Manifold	25
Header Trim Manifold	27
Gear Pump	29
Hydraulic Hoses	30
<b>Retractable Ladder</b>	<b>31</b>
<b>Ladder Wedge</b>	<b>33</b>
<b>Electrical</b>	<b>35</b>
Controller/Wiring Harnesses	35
Monitor	36
<b>Decals and Literature</b>	<b>37</b>

### Contact Information

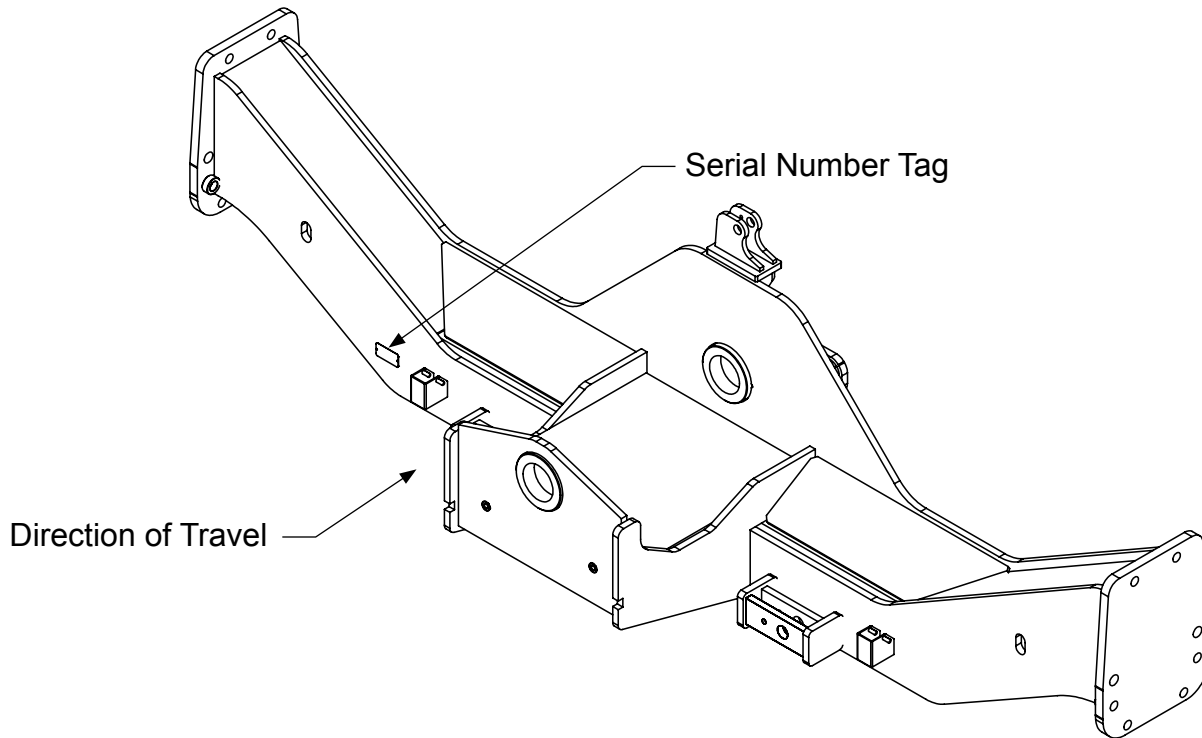
Hillco Technologies, Inc.  
107 1st Avenue  
Nezperce, Idaho 83543

Phone 800-937-2461  
208-937-2461  
Fax 208-937-2280

[www.hillcotechnologies.com](http://www.hillcotechnologies.com)  
email: [support@hillcotechnologies.com](mailto:support@hillcotechnologies.com)

## **GENERAL INFORMATION**

### **SERIAL NUMBER LOCATION**



### **TEXT AND ILLUSTRATIONS**

The arrangement of this parts catalog is for easy identification of parts. All parts are illustrated in exploded views in proper relation to each other. Some diagrams refer to other pages for further information. Reference numbers used in the illustrations refer to line numbers in the part lists. The part lists appear to the right or below all diagrams and correspond with those diagrams. Included in the part lists, along with the reference numbers are part numbers, part descriptions and the quantity of the part required per leveling system.

### **ABBREVIATIONS**

**SN** "Serial Number" refers to the serial number given to each leveling system (by Hillco Technologies), as well as the serial number given to the combine (by the specific combine manufacturer) the leveling system is installed. See above for the leveling system's serial number location. This abbreviation is used interchangeably in both instances. Each Model JH7010 Leveling System uses the following serial number format: JH7010-XXXXX (sequential numbers).

**ASM** "Assembly" refers to a whole grouping of parts (shown in the diagram corresponding with the page where "ASM" is shown unless otherwise noted). Some assemblies have parts that are sold separately, however some must be purchased as a single unit. Hillco Product Specialists will be able to assist you with any questions.

**NS** "Not Shown" refers to a part that is not depicted in the illustration.

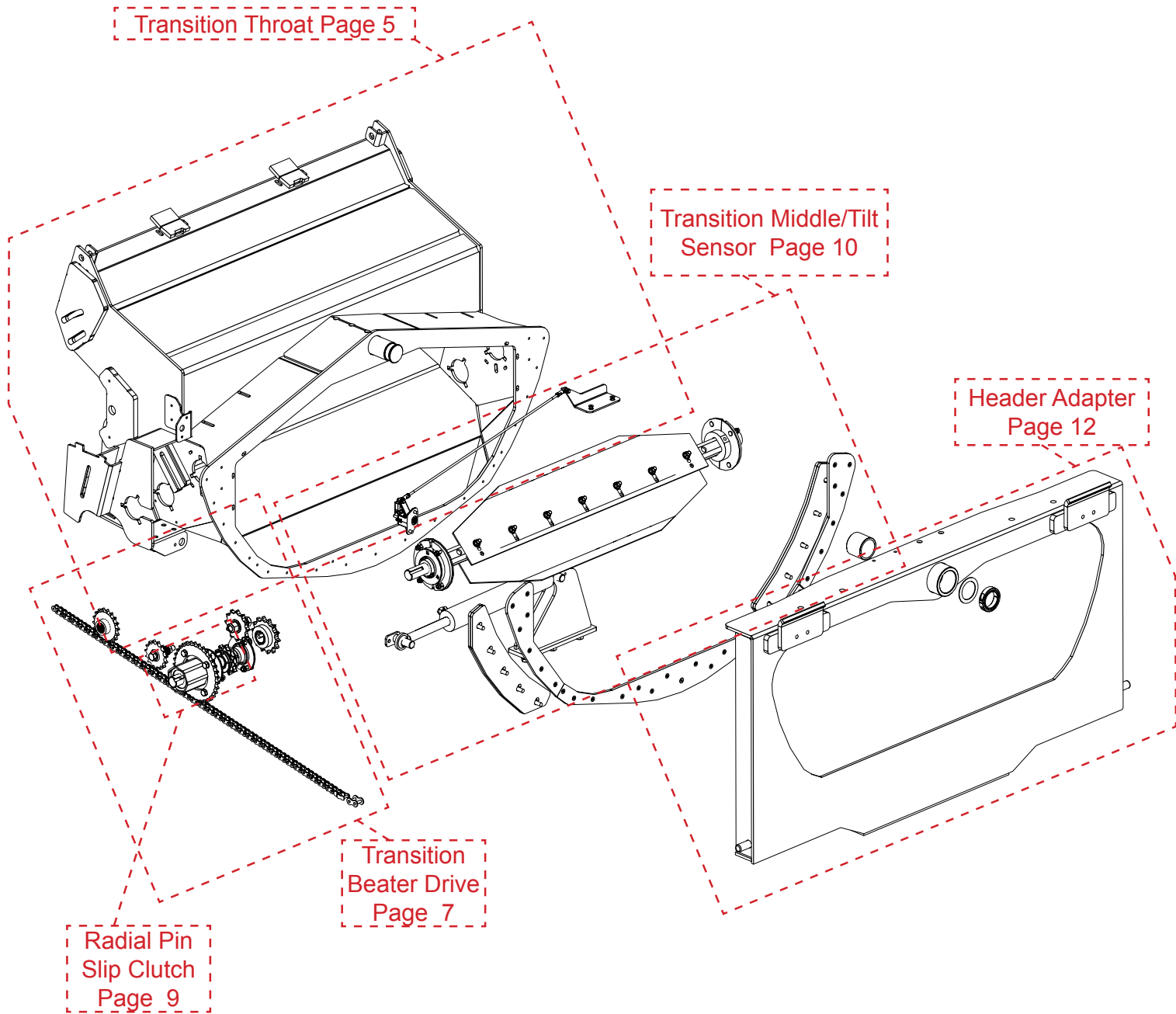
### **RIGHT AND LEFT IDENTIFICATION**

The reference to right-hand and left-hand in this catalog is identified by the operator sitting in the operator's seat, looking toward the front of the machine (in normal forward travel).

### **PART ORDERS**

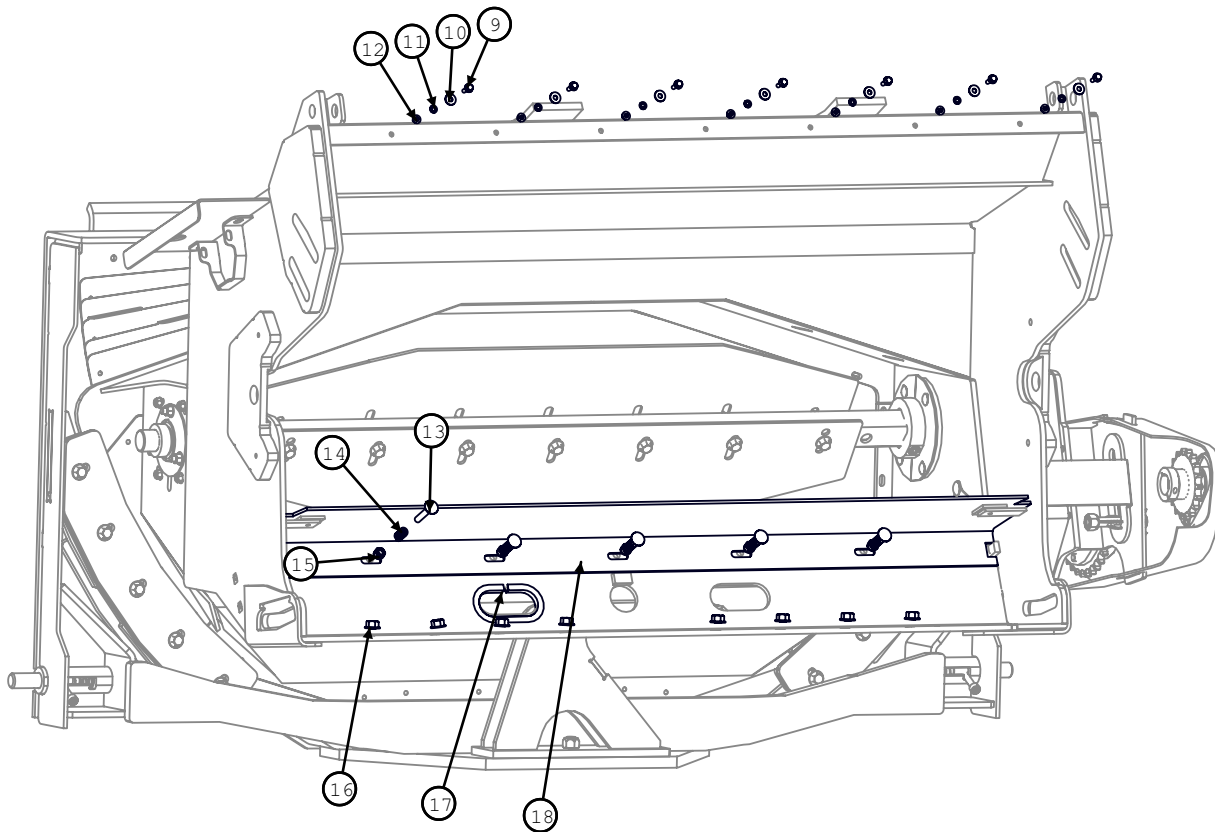
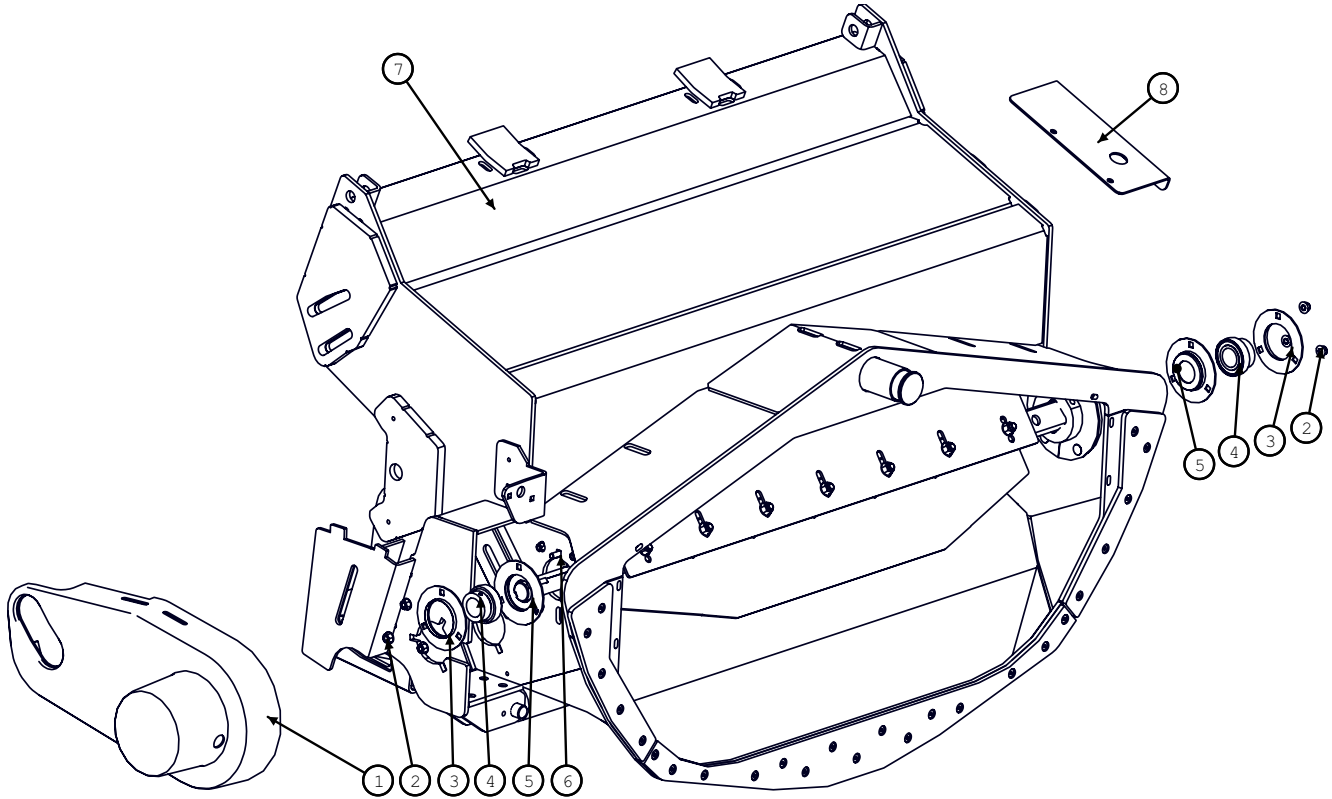
Orders must specify product model, serial number, correct part number, complete description, quantity required, method of shipment, shipping address, and billing address.

## TRANSITION



Model JH7010 Hillco Leveling System  
For Serial Numbers JH7010-16001 thru JH7010-16999

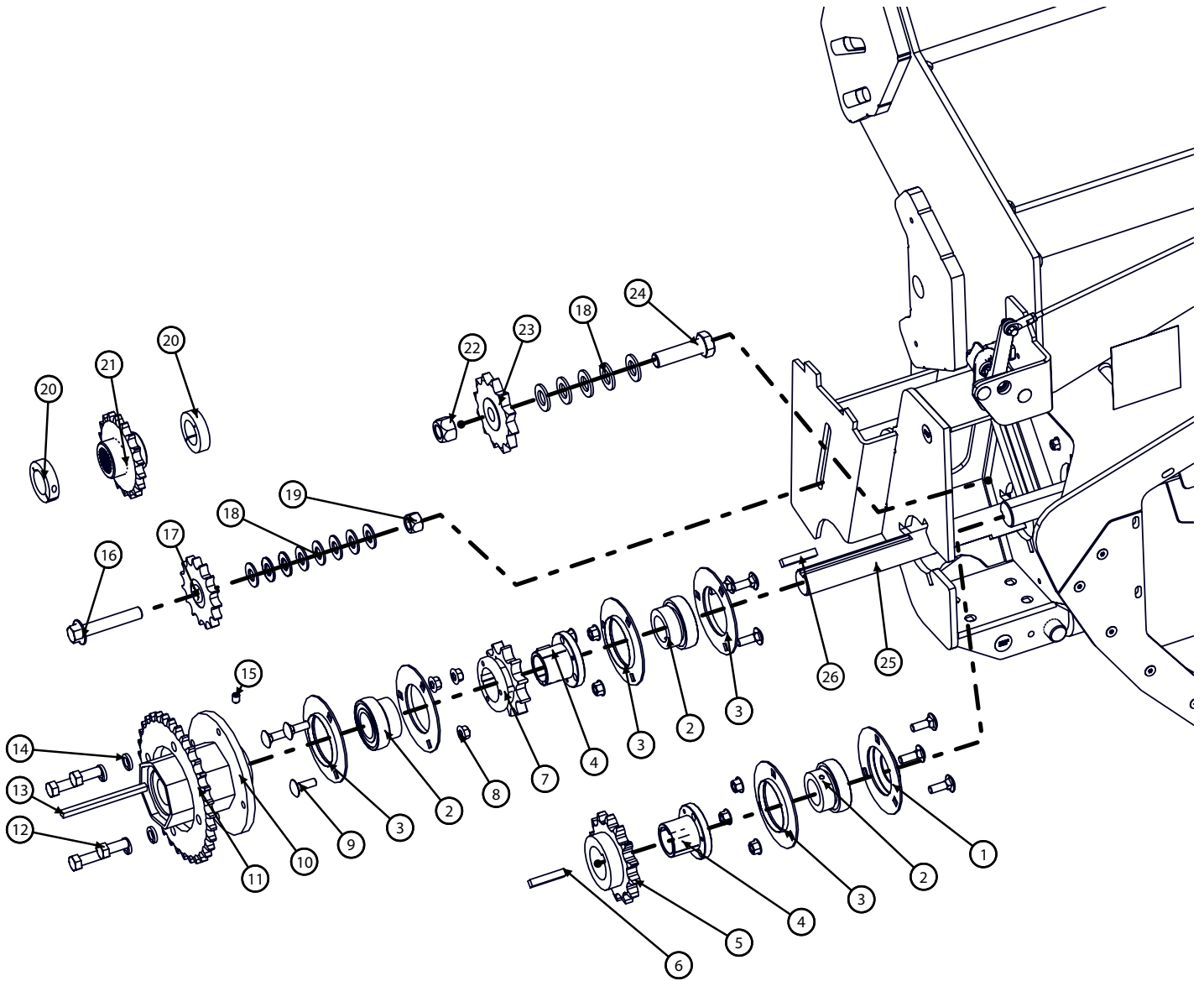
**TRANSITION THROAT**



Model JH7010 Hillco Leveling System  
For Serial Numbers JH7010-16001 thru JH7010-16999

<b>Transition Throat</b>			
<b>BOM ID</b>	<b>Part No.</b>	<b>Qty</b>	<b>Description</b>
1	1147671	1	SHIELD, BEATER DRIVE
2	123.010	6	NUT,HEX,FLANGE,CL10 M10
3	101339	2	FLANGETTE,
4	100548	2	INSERT BEARING
5	1243691	2	INNER FLANGETTE
6	163.010.030	6	BOLT,CARR,CL8.8 M10
7	1323301	1	THROAT
8	1316463	1	TRIM SHIELD
9	122.006.020	7	BOLT,HX,FL,CL10.9 M6X20
10	105.004	7	WASHER,FLT 1/4
11	136.004	7	WASHER,LCK,MED-SPLIT 1/4
12	123.006	7	NUT,HX,FL,CL10 M6
13	163.010.060	5	BOLT,CARR,CL8.8 M10
14	143591	5	SPRING, COMPRESSION
15	191.010	5	NUT,HX,NYL,CL8 M10
16	123.012	8	NUT,HX,FL,CL10 M12
17	10114.00168	1	TRIM, RUBBER EDGE,
18	1312971	1	FLEX FLOOR

**TRANSITION BEATER DRIVE**

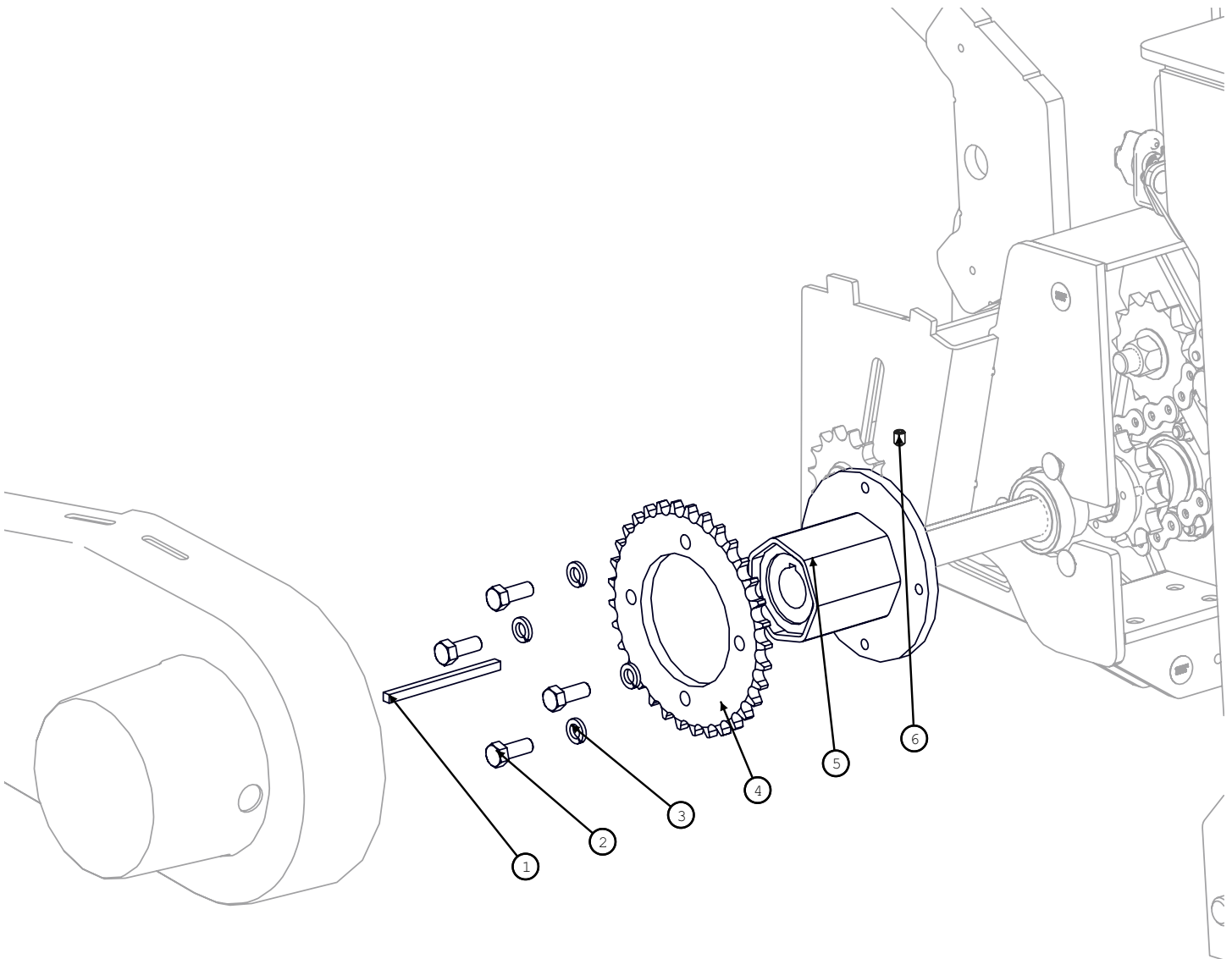


Model JH7010 Hillco Leveling System  
For Serial Numbers JH7010-16001 thru JH7010-16999

<b>Transtion Beater Drive</b>			
<b>BOM ID</b>	<b>Part No.</b>	<b>Qty</b>	<b>Description</b>
1	1243691	1	INNER FLANGETTE
2	100548	3	INSERT BEARING
3	101339	5	FLANGETTE,
4	135511	2	HUB, SPLIT TAPER
5	136151	1	SPROCKET, TAPER BORE
6	10049.06.00032	1	SQ,1018,CD 3/8X2
7	135491	1	SPROCKET, TAPER BORE
8	123.010	9	NUT,HX,FL,CL10 M10
9	163.010.030	9	BOLT,CARR,CL8.8 M10
10	136921	1	SLIP CLUTCH, RADIAL
11	1226532	1	SPROCKET, PLATE
12	167.008.020	4	BOLT,HX,GR8 1/2-20X1-1/4
13	10049.05.00080	1	SQ,1018,CD 5/16X5
14	139.008	4	WASHER,LCK,HVY-SPLIT 1/2
15	158.006.008	1	SCREW,SKT,SET 3/8-16X1/2
16	122.016.060	1	BOLT,HX,FL,CL10.9 M16X60
17	100237	1	SPROCKET, IDLER, 60P
18	133.010	15	WASHER,L9,HD
19	126.016	1	NUT,HX,STV,CL10 M16
20	142001	2	1 PC SPLIT COLLAR,
21	1273851	1	DRIVE SPROCKET
22	126.02	1	NUT,HX,STV,CL10 M20
23	137441	1	SPOCKET, IDLER
24	121.020.070	1	BOLT,HX,CL10.9 M20
25	1229142	1	JACK SHAFT, RND, 1144, G&P 1-7/16" X 13-1/16
26	10049.06.00032	1	SQ,1018,CD 3/8X2
<b>DRIVE CHAINS</b>			
NS	10068.073	-	60 PITCH CHAIN, 73 PITCHES, TRANSITION DRIVE
NS	10066.029		80 PITCH CHAIN, 29 PITCHES, PADDLE BEATER DRIVE

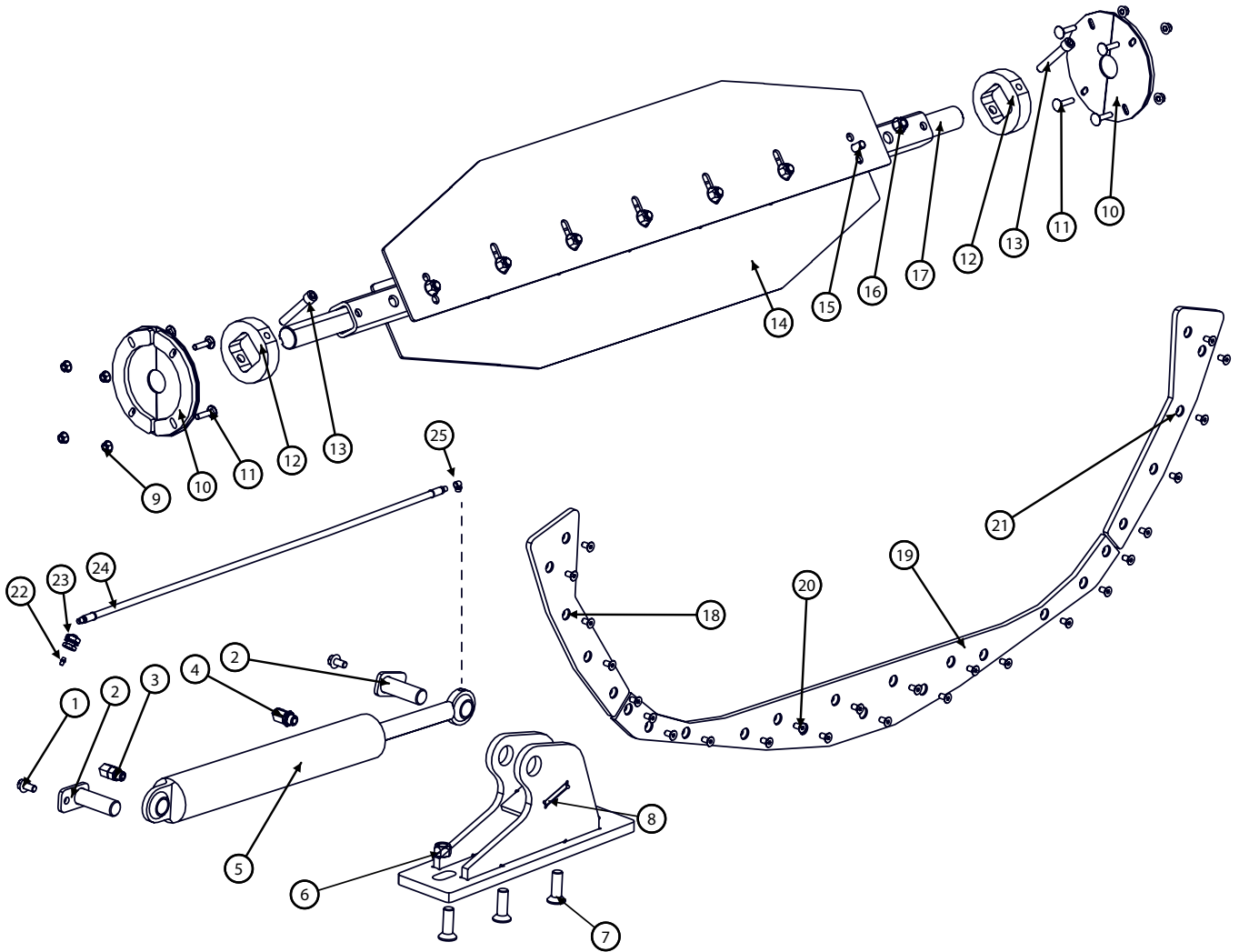


**RADIAL PIN SLIP CLUTCH**



<b>Radial Pin Slip Clutch</b>			
<b>BOM ID</b>	<b>Part No.</b>	<b>Qty</b>	<b>Description</b>
ASM	LA-242431	1	SLIP CLUTCH ASM, RADIAL PIN
2	10049.05.00080	1	SQ,1018,CD 5/16X5
2	167.008.020	4	BOLT,HX,GR8 1/2-20X1-1/4
3	139.008	4	WASHER,LCK,HVY-SPLIT 1/2
4	1226532	1	SPROCKET, PLATE
5	136921	1	SLIP CLUTCH, RADIAL
6	158.006.008	1	SCREW,SKT,SET 3/8-16X1/2

**TRANSITION MIDDLE/TILT SENSOR**

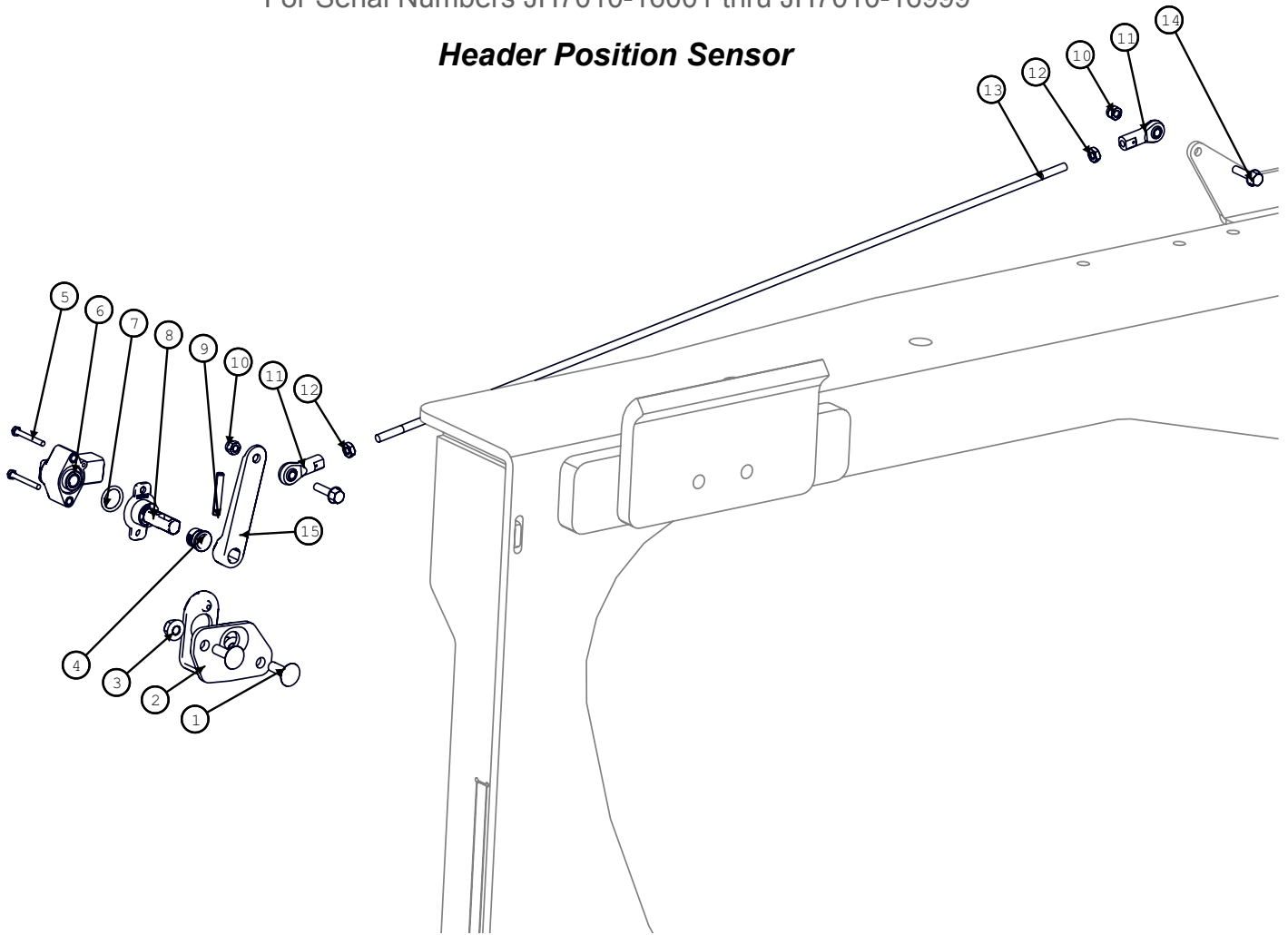


Model JH7010 Hillco Leveling System  
For Serial Numbers JH7010-16001 thru JH7010-16999

<b>Transition Middle</b>			
<b>BOM ID</b>	<b>HILLCO Part No.</b>	<b>Qty</b>	<b>Description</b>
1	122.010.020	2	BOLT,HX,FL,CL10.9 M10X20
2	1253884	2	CYLINDER PIN, TRIM
3	1003.06.06	1	HA,90° 6MORB X 6MORS 90°
4	1002.06.06	1	HA,45° -6MORB X -6MORFS
5	147491	1	CYLINDER,SLAVE,21"CPC
6	126.016	3	NUT,HX,STV,CL10 M16
7	221.016.050	3	SCREW,COUNTERSUNK,
8	1322201	1	ROD MOUNT
9	128.008	8	NUT,HX,FL,STV,CL10 M8
10	1286311	4	CAN ASM
11	163.008.035	8	BOLT,CARR,CL8.8 M8X35
12	1286331	2	SHAFT SEAL
13	159.012.075	2	SCREW,SHC,CL12.9 M12X75
14	1286321	2	PADDLE,METAL,NARROW
15	122.012.080	7	BOLT,HX,FL,CL10.9 M12X80
16	128.012	7	NUT,HX,FL,STV,CL10 M12
17	1251632	1	BEATER SHAFT
18	1229162	1	SIDE WEAR PLATE, L
19	1322151	1	BOTTOM WEAR PLATE
20	164.008.016	25	SCREW,FHSC,CL10.9 M8X16
21	1229172	1	SIDE WEAR PLATE, R
22	138011	1	ZERK,STR, 1/4-28MTAPER
23	155157	1	BULKHEAD,GREASE,STR,
24	1138952	1	100R1-03, 40"
25	135771	1	ADAPTER,GREASE,90°

Model JH7010 Hillco Leveling System  
 For Serial Numbers JH7010-16001 thru JH7010-16999

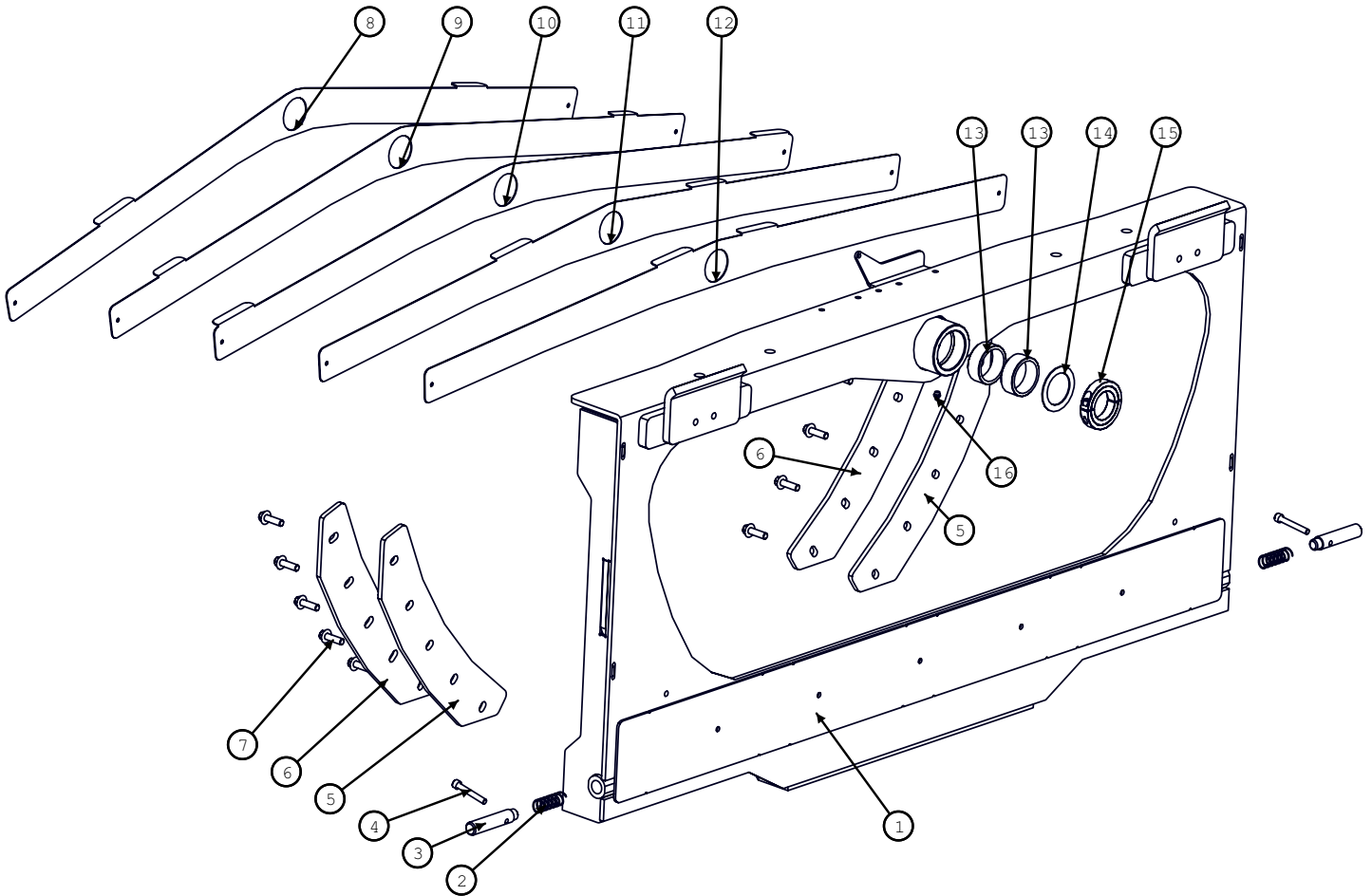
**Header Position Sensor**



Header Position Sensor			
BOM ID	HILLCO Part No.	Qty	Description
1	163.008.025	2	BOLT,CARR,CL8.8 M8X25
2	151321	1	BRACKET, SENSOR
3	123.008	2	NUT,HX,FL,CL10 M8
4	151361	1	BUSHING,
5	170.004.035	2	BOLT, HX,CL8.8
6	151381	1	SENSOR, ROTATION,
7	151391	1	O-RING, 11/16ID
8	151401	1	SENSOR SHAFT,
9	201.006.036	1	PIN,ROLL M6X36
10	191.006	2	NUT,HX,NYL,CL8 M6
11	151881	2	ROD END, BALL JOINT,
12	174.004	2	NUT,HX,JAM,GR5 1/4-20
13	1295502	1	SENSOR ROD
14	122.006.025	2	BOLT,HX,FL,CL10.9 M6X25
15	151351	1	ARM, SENSOR

Model JH7010 Hillco Leveling System  
 For Serial Numbers JH7010-16001 thru JH7010-16999

**TRANSITION HEADER ADAPTER**



Transition Header Adapter			
BOM ID	Part No.	Qty	Description
1	1322001	1	HEADER ADAPTER
2	135531	2	SPRING, COMPRESSION
3	1229193	2	LOCKOUT PIN
4	159.010.070	2	SCREW, SHC, CL12.9
5	1249871	2	WEAR PLATE,
6	1249861	2	BACKING PLATE
7	122.012.040	10	BOLT,HX,FL,CL10.9 M12X40
8-12	P306131	1	DEFLECTOR KIT
8	1306183	1	DEFLECTOR, REAR
9	1306173	1	DEFLECTOR, INNER REAR
10	1306163	1	DEFLECTOR,
11	1306153	1	DEFLECTOR, INNER FRONT
12	1306143	1	DEFLECTOR, FRONT
13	1305471	2	PIVOT BUSHING
14	162.014.040	1	BUSHING,MACH,NR
15	150742	1	COLLAR,CLAMPING,2-1/2 ID 3-3/4 OD, 2 PIECE HEAVY
16	133891	1	ZERK, GREASE, 1/8

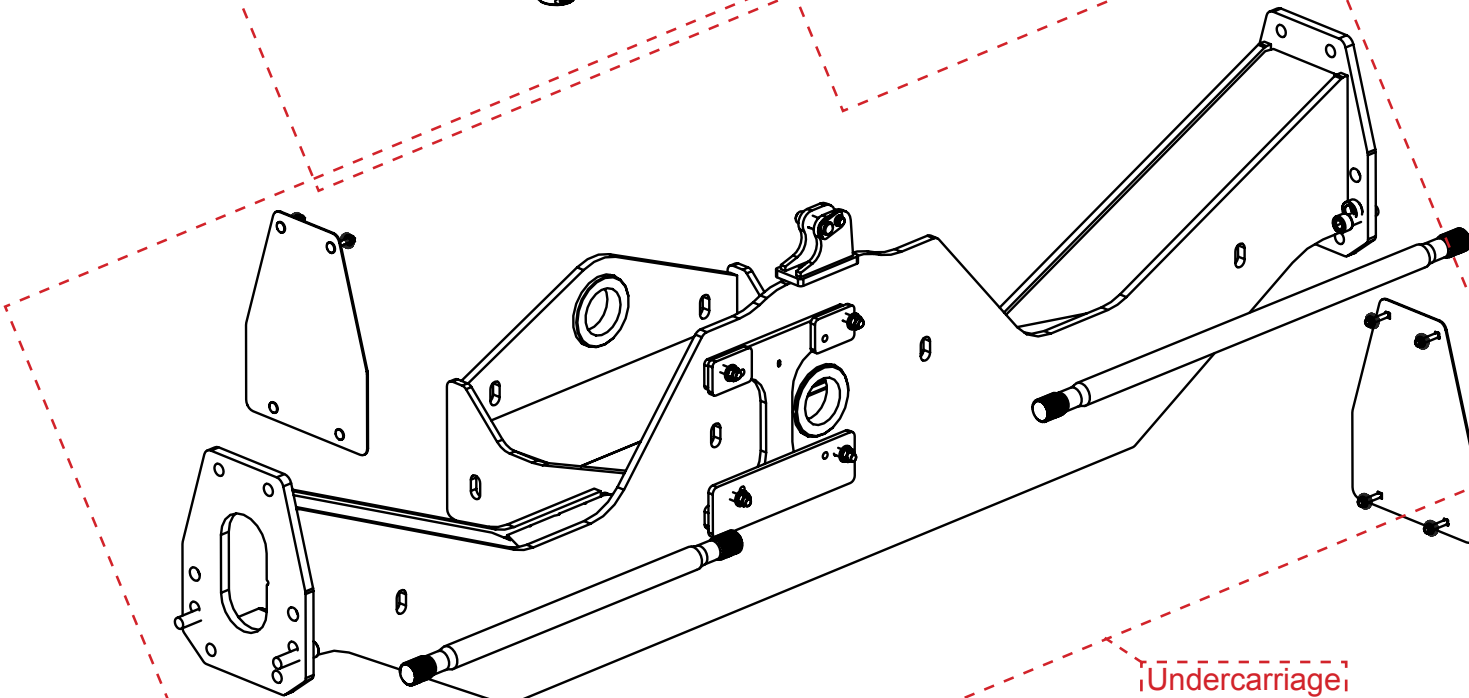
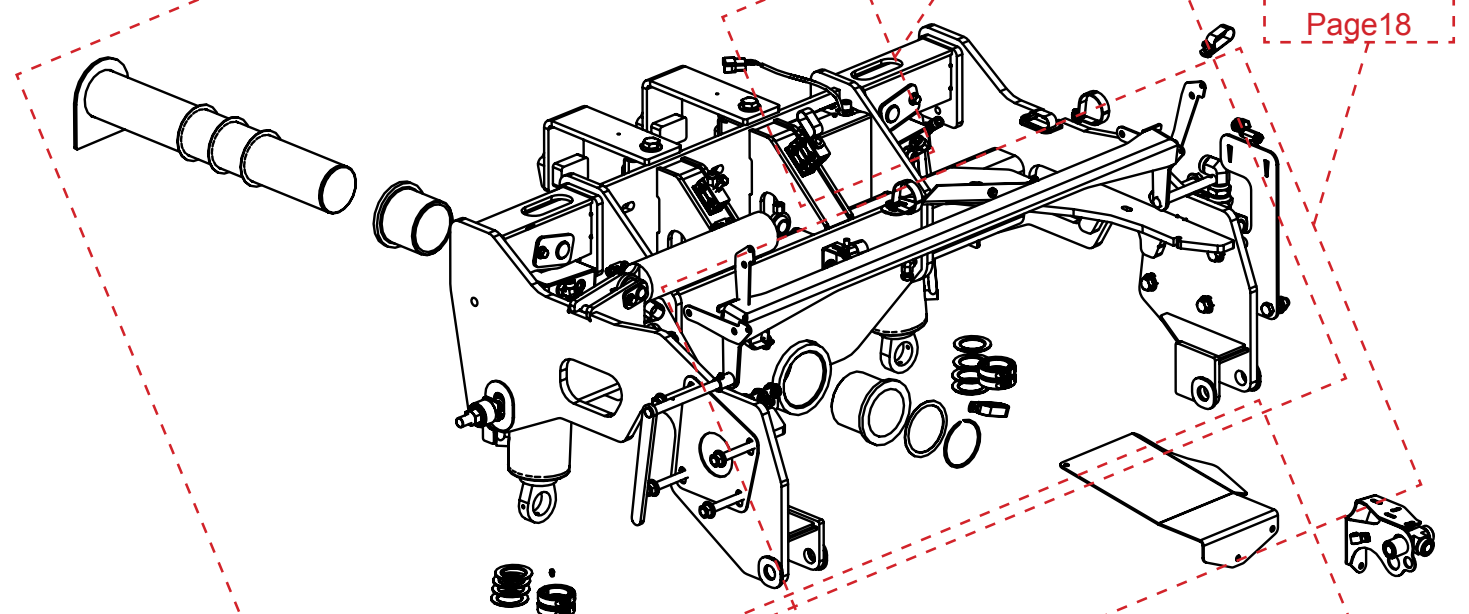
Model JH7010 Hillco Leveling System  
For Serial Numbers JH7010-16001 thru JH7010-16999

**Carriage**

Overcarriage  
Page 15

Carriage  
Position Sensor  
Page 19

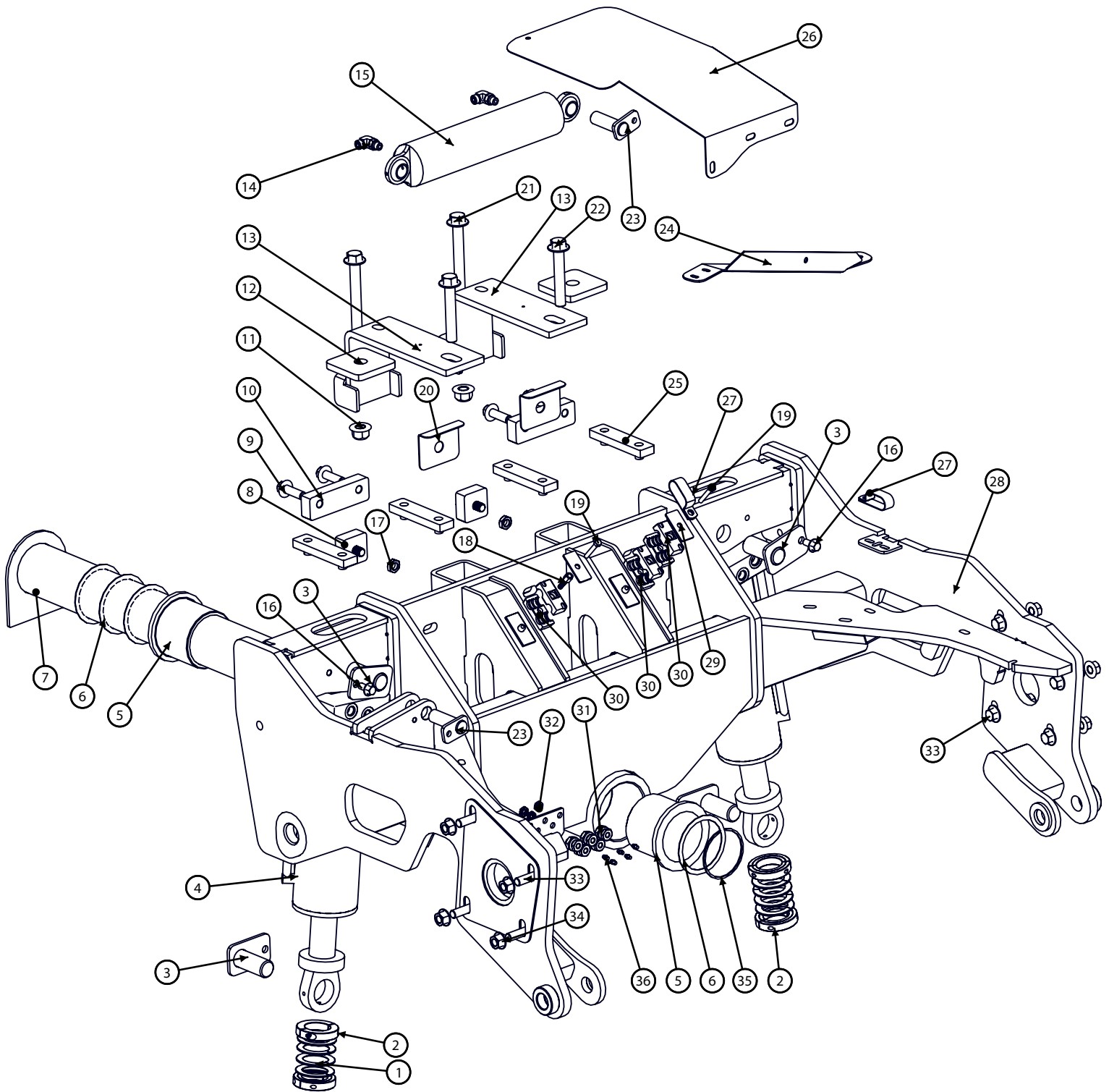
Misc.  
Carriage  
Parts  
Page 18



Undercarriage  
Page 17

Model JH7010 Hillco Leveling System  
For Serial Numbers JH7010-16001 thru JH7010-16999

**Overcarriage**



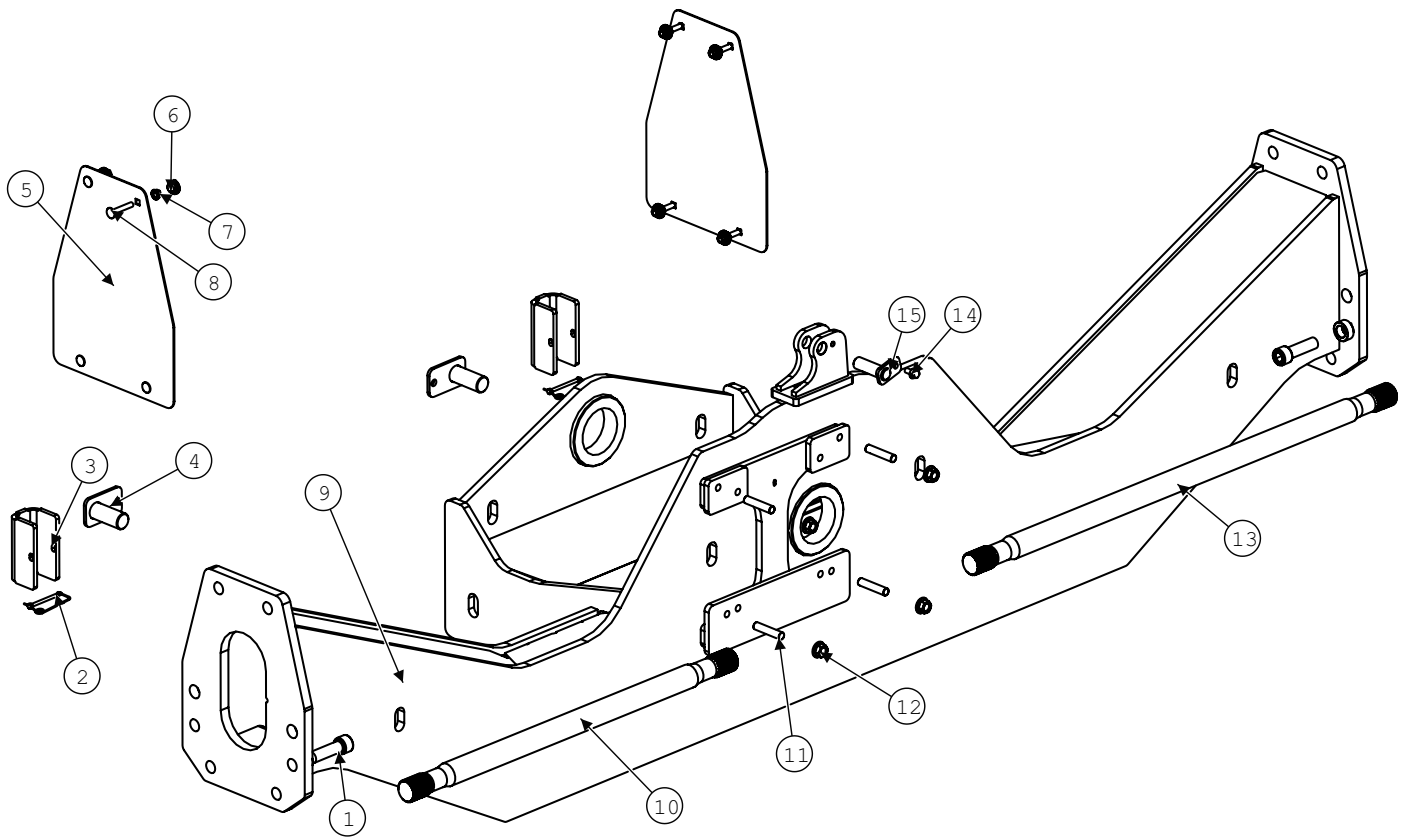
Model JH7010 Hillco Leveling System  
For Serial Numbers JH7010-16001 thru JH7010-16999

<b>Overcarriage</b>			
<b>BOM ID</b>	<b>Part No.</b>	<b>Qty</b>	<b>Description</b>
1	137501	8	WASHER, QUICK REPAIR
2	153241	4	COLLAR, CLAMPING
3	1230552	4	PIN, MAIN CYLINDER
4	151002	2	CYLINDER, CB VALVE,
5	1247961	2	PIVOT BUSHING
6	138641	4	4.016ID X 4.7640D X 048
7	1291351	1	PIVOT PIN
8	1293951	2	UPPER CARRIAGE SHIM
9	122.016.035	4	BOLT,HX,FL,CL10.9,M16X35
10	1293911	2	CARRIAGE LOCK (7010)
11	128.020	2	NUT,HX,FL,STV,CL10 M20
12	1297901	2	SPACER, TUBE CLAMP
13	1293631	2	AXLE CLAMP
14	1006.06.06	2	-6FORFS X -6MORFS
15	140342	1	CYLINDER, CROSS PORT
16	122.012.025	2	BOLT,HX,FL,CL10.9 M12X25
17	165.016	2	NUT,HX,JAM,CL8 M16
18	155409	1	STACK BOLT, BEHRINGER
19	101.005.028	2	BOLT,HX,GR5 5/16-18X2
20	1270042	4	CARRIAGE SHIM
21	122.020.220	2	BOLT,HX,FL,CL10.9 M20
22	122.020.120	2	BOLT,HX,FL,CL10.9 M20
23	1253884	2	CYLINDER PIN, TRIM
24	1274902	1	SUPPORT, HYDRO HOSE
25	1293921	4	LOWER CARRIAGE SHIM
26	1274252	1	TABLE, HYDRO HOSE
27	147781	2	CLAMP 1/4" DOUBLE LOOP 3/8HOLE
28	1291332	1	OVERCARRIAGE
29	139231	2	COVER PLATE,TWIN
30	139481	3	CLAMP, 5/8" TWIN BEHRINGER PAIR
31	155157	5	BULKHEAD,GREASE,STR,
32	155158	5	BULKHEAD,LOCKNUT
33	122.016.120	8	BOLT, HX, FL, CL10.9, M16X120
34	123.016	8	NUT,HX,FL,CL10 M16
35	138651	1	SNAP RING; 4"
36	138011	5	ZERK,STR, 1/4-28MTAPER



Model JH7010 Hillco Leveling System  
For Serial Numbers JH7010-16001 thru JH7010-16999

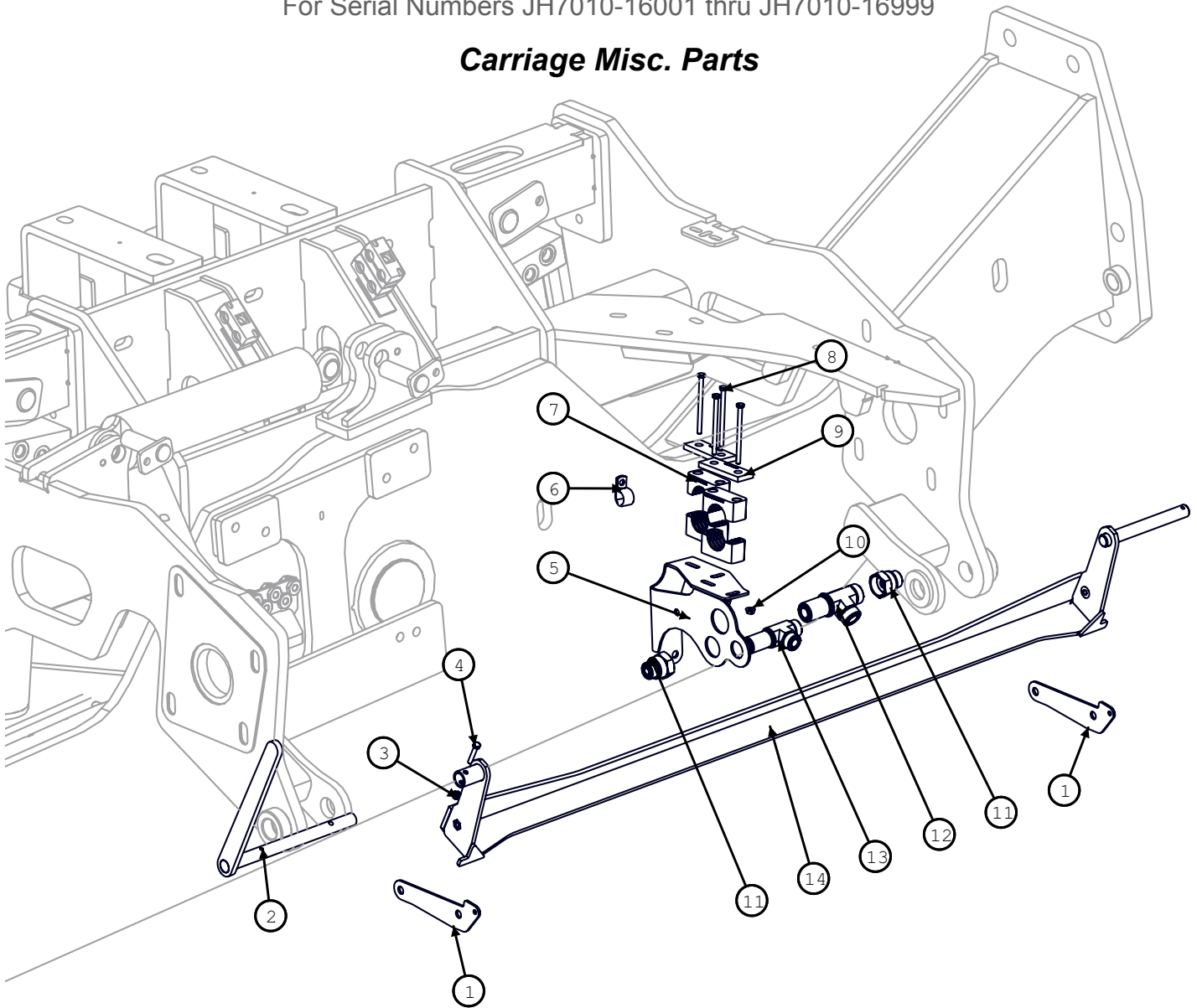
**Undercarriage**



Undercarriage			
BOM ID	Part No.	Qty	Description
1	159.024.080	4	SHCS 12.9-M24 X 3 X 80 PLT
2	146.004.048	2	SNAP LOCK PIN 1/4 X 3
3	1306721	2	CM PLT, CYLINDER STOP
4	1230552	2	CM PIN ASM, MAIN CYLINDER
5	1293831	2	CM SHT, CAP, AXLE
6	151021	8	BUSHING, PLASTIC (JD#Z31550)
7	123.010	8	FLHN-10.9 M10 X 1.50
8	163.010.050	8	CARR-8.8M10X1.5X50 HEAD SCREW
9	1291431	1	CU WLD, UNDERCARRIAGE, 122.5
10	151531	1	SHAFT, DRIVE 951MM
11	155.016	4	STUD, DOUBLE-10.9 M16X2.00X75
12	F-HNF-16ME	4	FLHN-10.9M16X2.0
13	151541	1	SHAFT, DRIVE 1228MM
14	122.010.020	1	BOLT,HX,FL,CL10.9 M10X20
15	1253884	1	CYLINDER PIN, TRIM

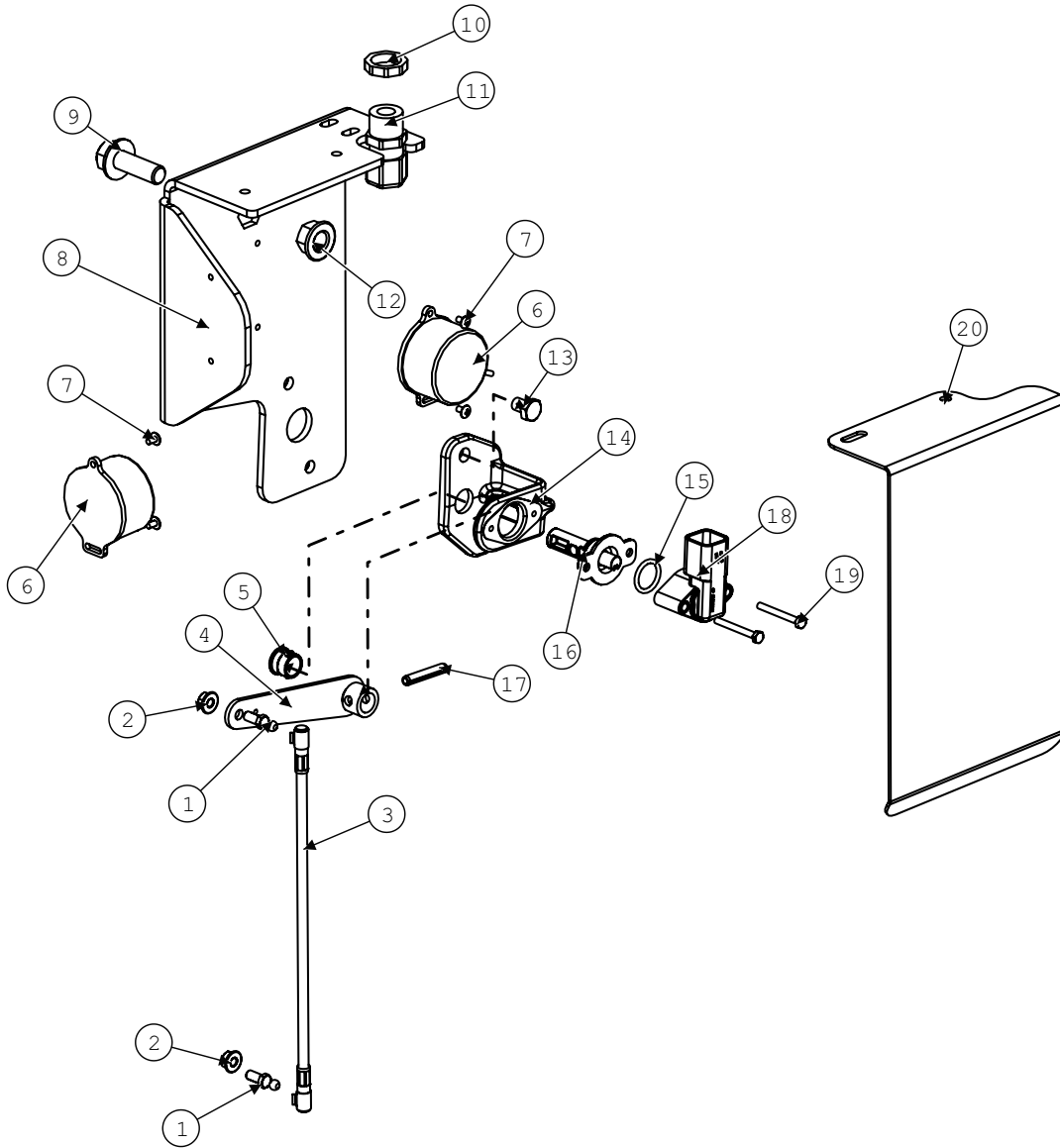
Model JH7010 Hillco Leveling System  
 For Serial Numbers JH7010-16001 thru JH7010-16999

**Carriage Misc. Parts**



Overcarriage Misc.			
BOM ID	Part No.	Qty	Description
1	1290741	2	LINKAGE, UPPER
2	1264501	1	HANDLE, ROCK TRAP
3	191.006	1	NUT,HX,NYL,CL8 M6
4	121.006.035	1	BOLT,HX,CL10.9 M6X35
5	1297312	1	HEADER LIFT BULKHEAD
6	135791	1	CLAMP, HOSE
7	148251	2	STD. CLAMP
8	170.006.090	4	BOLT,HX,CL8.8 M6X90
9	148261	2	STANDARD COVER PLATE
10	123.006	4	NUT,HX,FL,CL10 M6
11	1004.12.10	2	SWIVEL NUT,
NS	1004.10.08	2	SWIVEL NUT,
12	1034.12	1	HA,TEE,BKHD,RUN
13	1034.10	1	HA, TEE, BKHD, RUN,-10ORFS
14	1264511	1	LINKAGE, CROSS

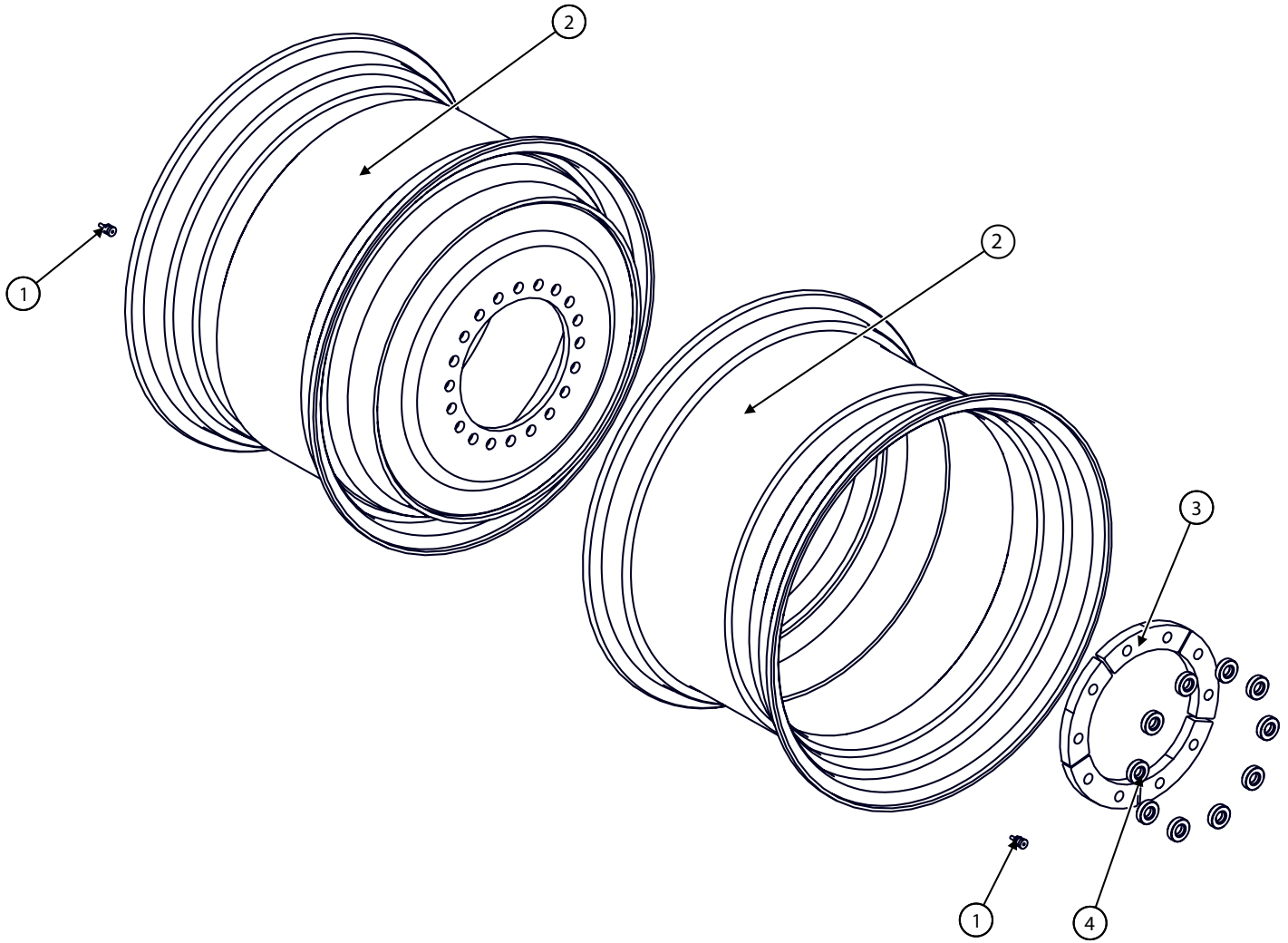
### Carriage Position Sensor



Model JH7010 Hillco Leveling System  
For Serial Numbers JH7010-16001 thru JH7010-16999

<b>Carriage Position Sensor</b>				
<b>BOM ID</b>	<b>Hillco Part No.</b>	<b>John Deere Part No.</b>	<b>Qty</b>	<b>Description</b>
1	151341	H168732	2	BALL STUD (H168732)
2	123.006	-	2	FLHN-10.9M6X1.00
3	151331	AH226146	1	LINKAGE, POSITION (AH226146)
4	151371	AXE17303	1	ARM, ASSY, TILT SENSOR, HM (axe17303)
5	151361	R41076	1	BUSHING, (R41076)
6	141841	-	2	EM ASM, CLINOMETER (Only 1 used on Sidehill's)
7	115.#06.004	-	4	PHMS #6-32X1/4
8	1295142	-	1	EM SHT, SENSOR MNT, CLINOMETER
9	122.012.035	-	1	FLHC 10.9 M12 X 1.75 X 35 PLT
10	142121	-	1	STRAIN RELIEF NUT, 1/2" BLACK
11	138781	-	1	STRAIN RELIEF, NYLON, BLK,
12	123.012	-	1	FLHN-10.9 M12 x 1.75 PLT
13	170.008.010	19m7008	2	HC-8.8M8X1.25X10 (19m7008)
14	151321	HXE16001	1	BRACKET, SENSOR MNT (HXE16001)
15	151391	P48347	1	O-RING, 11/16ID (P48347)
16	151401	AXE14888	1	SHAFT, ROUGH SERVICE DEVICE (AXE14888)
17	201.006.036	-	1	PIN, ROLL 6mm x 36mm
18	151381	AXE14246	1	SENSOR, ROTATION, HALL 2CH +/-120DE (axe14246)
19	170.004.035	19M9368	2	HC-8.8M4X0.7X035 (19m9368)
20	1303151	-	1	EM SHT, SHIELD SENSOR

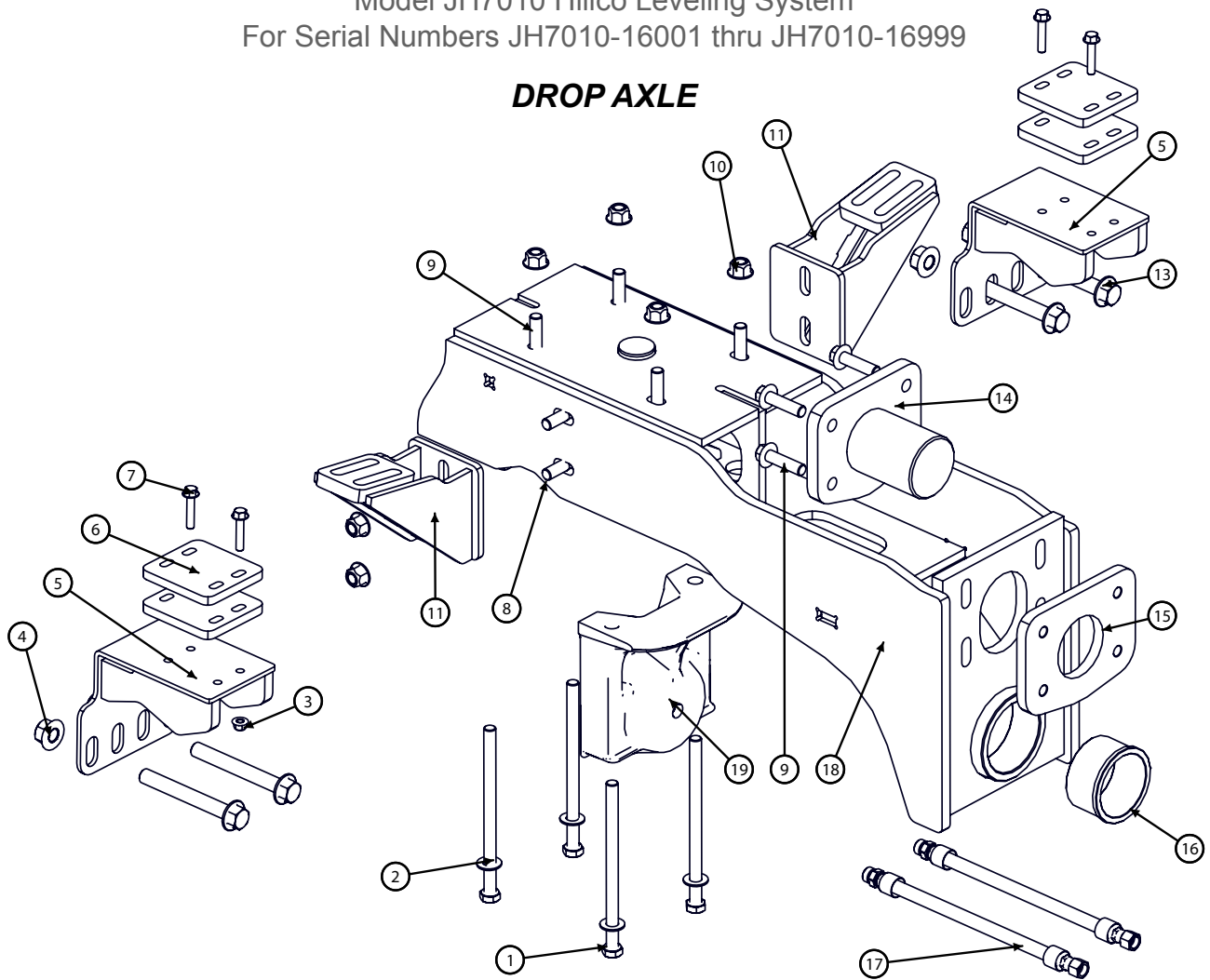
**DRIVE WHEEL**



DRIVE WHEEL COMPONENTS				
REF.	PART NO.	QTY.	PART NAME	NOTES
1	MC-143921	4	VALVE STEM	FOR 24.5 x 32 TIRE ONLY
NS	155450	4	WHL 38XDW23A 10-13.189 -14.5	FOR 650/65R38 TIRE
2	MC-143131	4	32 X 21 SINGLE PIECE WHEEL	FOR 24.5 X 32 TIRE
3 & 4	1265962	2	SET, WHEEL CLAMPING RING ASSEMBLY	ASSEMBLY, 1 SET PER SIDE
3	1260113	10	RING, WHEEL CLAMPING	5 PER SET
4	1330901	20	WASHER	10 PER SET
STEER WHEEL COMPONENTS				
NS	JD PART NO AXE10349		4 WD REAR WHEEL	JOHN DEERE SUPPLIED PART
NS	JD PART NO AT25226		REAR WHEEL VALVE STEM	JOHN DEERE SUPPLIED PART

Model JH7010 Hillco Leveling System  
For Serial Numbers JH7010-16001 thru JH7010-16999

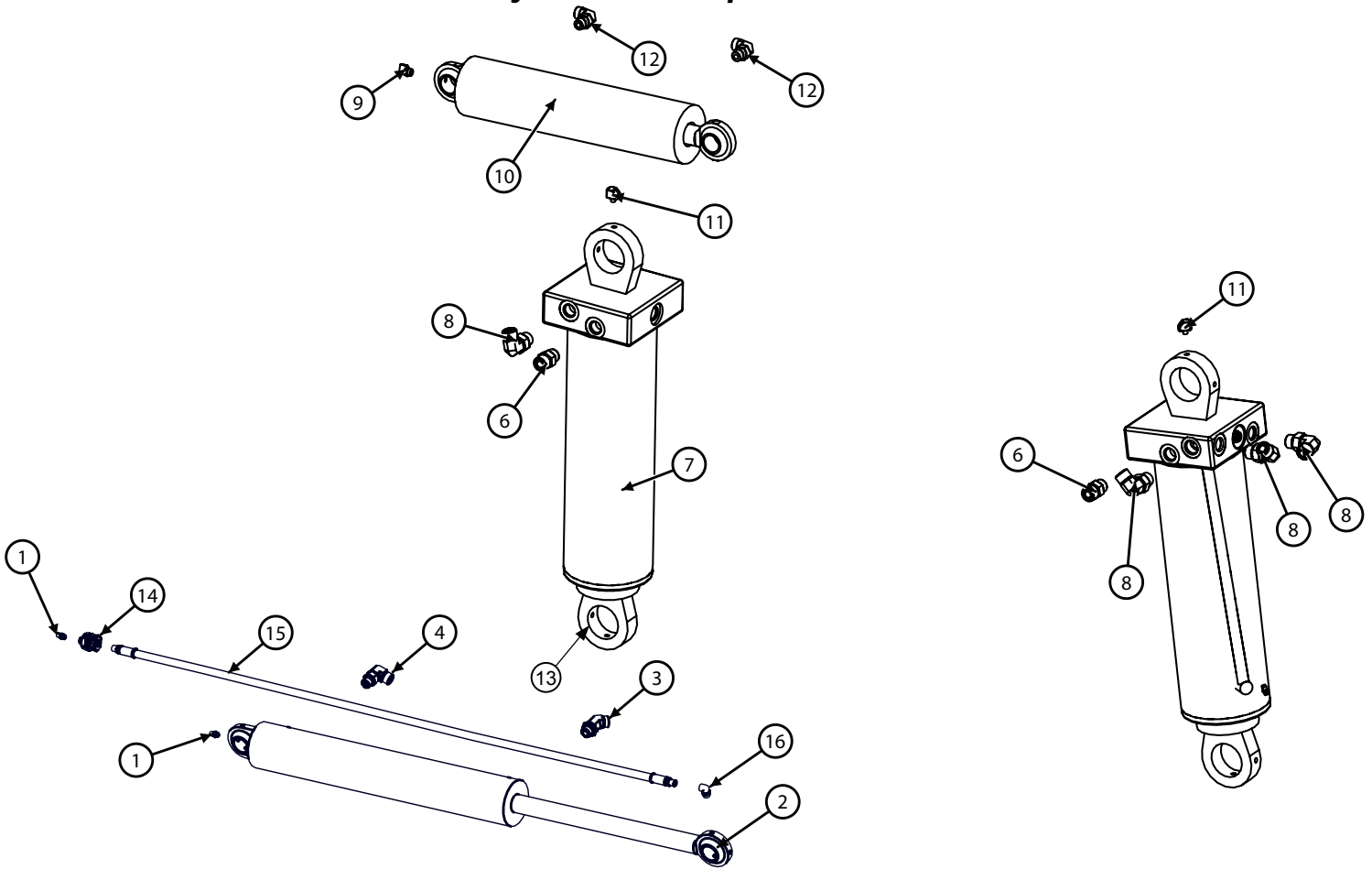
**DROP AXLE**



Drop Axle			
BOM ID	Part No.	Qty	Description
1	121.016.250	4	BOLT,HX,CL10.9 M16X250
2	133.01	4	WASHER,L9,HD 5/8
3	128.01	4	NUT,HX,FL,STV,CL10 M10
4	123.020	4	NUT,HX,FL,CL10 M20
5	1299792	2	ROTATION STOP
6	1299892	4	ROTATION STOP 16°
7	122.010.050	4	BOLT,HX,FL,CL10.9 M10X50
8	122.016.050	4	BOLT,HX, FL, CL10.9 M16X50
9	122.016.060	8	BOLT, HX, FL, CL10.9, M16X60
10	128.016	12	NUT,HX,FL,STV,CL10 M16
11	1313541	2	WING
13	122.020.160	4	BOLT,HX,FL,CL10.9 M20
14	1291071	1	PIVOT PIN
15	1291091	1	PIVOT LOCK
16	1235092	1	BUSHING, PIVOT
17	1273461	2	3/8" R2 #8FF#8MF 15"
18	1291023	1	DROP AXLE
19	1299801	1	STAND-OFF, REAR AXLE

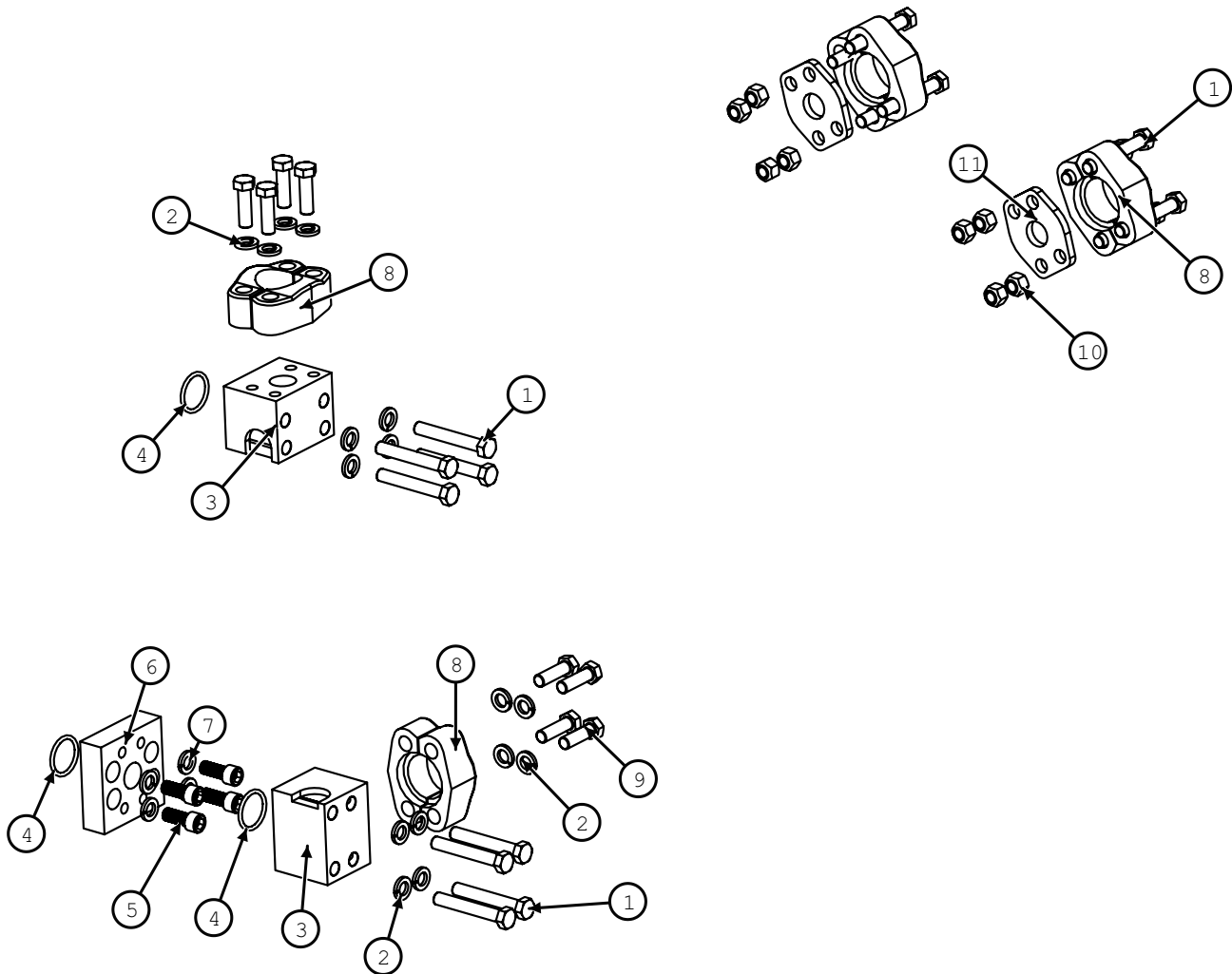
Model JH7010 Hillco Leveling System  
 For Serial Numbers JH7010-16001 thru JH7010-16999

**Hydraulic Components**



Hydraulic Cylinders			
BOM ID	Part No.	Qty	Description
1	138011	2	ZERK, GREASE 1/4-28 STR
2	MC-140321	2	BEARING, SEALED SPHERICAL-1 IN
3	1001.06.06	1	STR -6MORB X -6MORS
4	1003.06.06	1	ELBOW, 90°, 6MF x 6MO
5	138582	1	CLY 2-1/2X10, INLINE PORTS
NS	HC-140321	-	SEAL KIT, SLAVE CYLINDER
6	1001.08.08	2	STR, -8MF x -8MO
7	151002	2	CYLINDER, CB VALVE, 4-1/2x11, 22-1/2CPC
NS	HC-135221	-	SEAL KIT, LEVELING CYLINDER
8	1003.08.08	4	ELBOW, 90°, #8MORS#8MORB
9	135771	1	1/4-28 MALE X 1/8 FPT 90°
10	140342	1	CYL, 3"B,8-3/4"S,1-3/8"R, 17-1/4"CPC, CROSS
NS	HC-134201	-	SEAL KIT, MASTER CYLINDER
11	135761	2	1/4-28 MALE X 1/8 FPT 45 DEG
12	1009.06	2	TEE, STRAIGHT THREAD, BRANCH -6MF x -6MO
13	MC-150881	4	1 3/8" BEARING, SEALED SPHERICAL
14	155157	1	BULKHEAD,GREASE,STR,
15	1138952	1	100R1-03, 40"
16	135771	1	ADAPTER,GREASE,90°

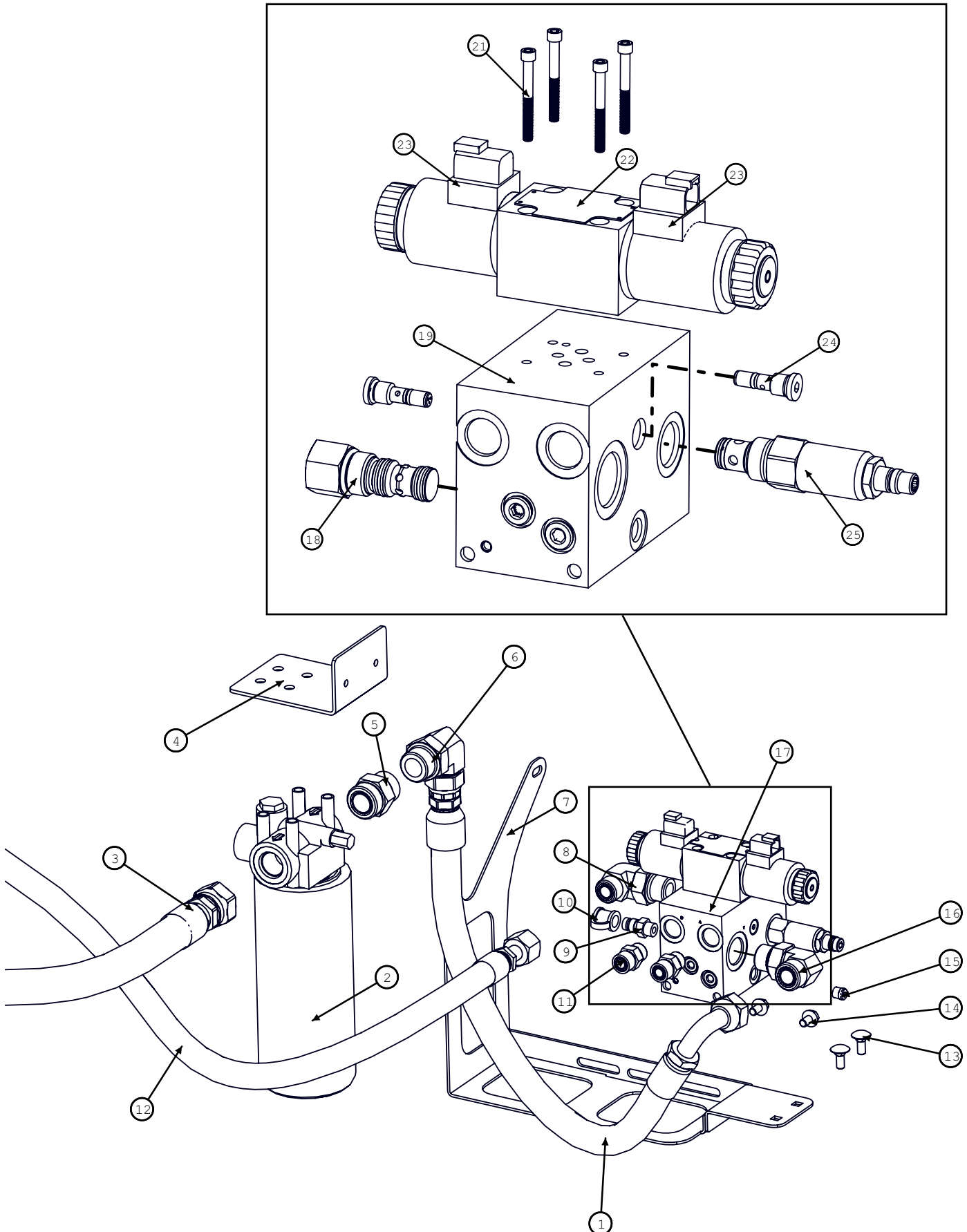
### Hydro Hose Adapters



Code 62 Adapters			
BOM ID	Part No.	Qty	Description
1	121.012.080	16	HC-10.9M12X1.75X80
2	139.008	16	LW 1/2 HD
3	1261082	2	HM BLOCK, CODE 62 90°
4	147551	3	O-RING, CODE 62, 1"
5	159.012.030	4	SHCS-12.9M12X1.75X30
6	1143372	1	HM ADAPTER, CODE 62 90° ROTATIONAL
7	135.008	4	LW 1/2 HD HIGH COLLAR
8	147601	8	FLANGE, 1" CODE 62, HALF
9	120.012.040	8	HC-10.9M12X1.75X40
10	126.012	8	HN-10.9M8X1.25 STVR
11	1272242	2	HM PLT, CODE 62 1" UNION



### Leveling Manifold

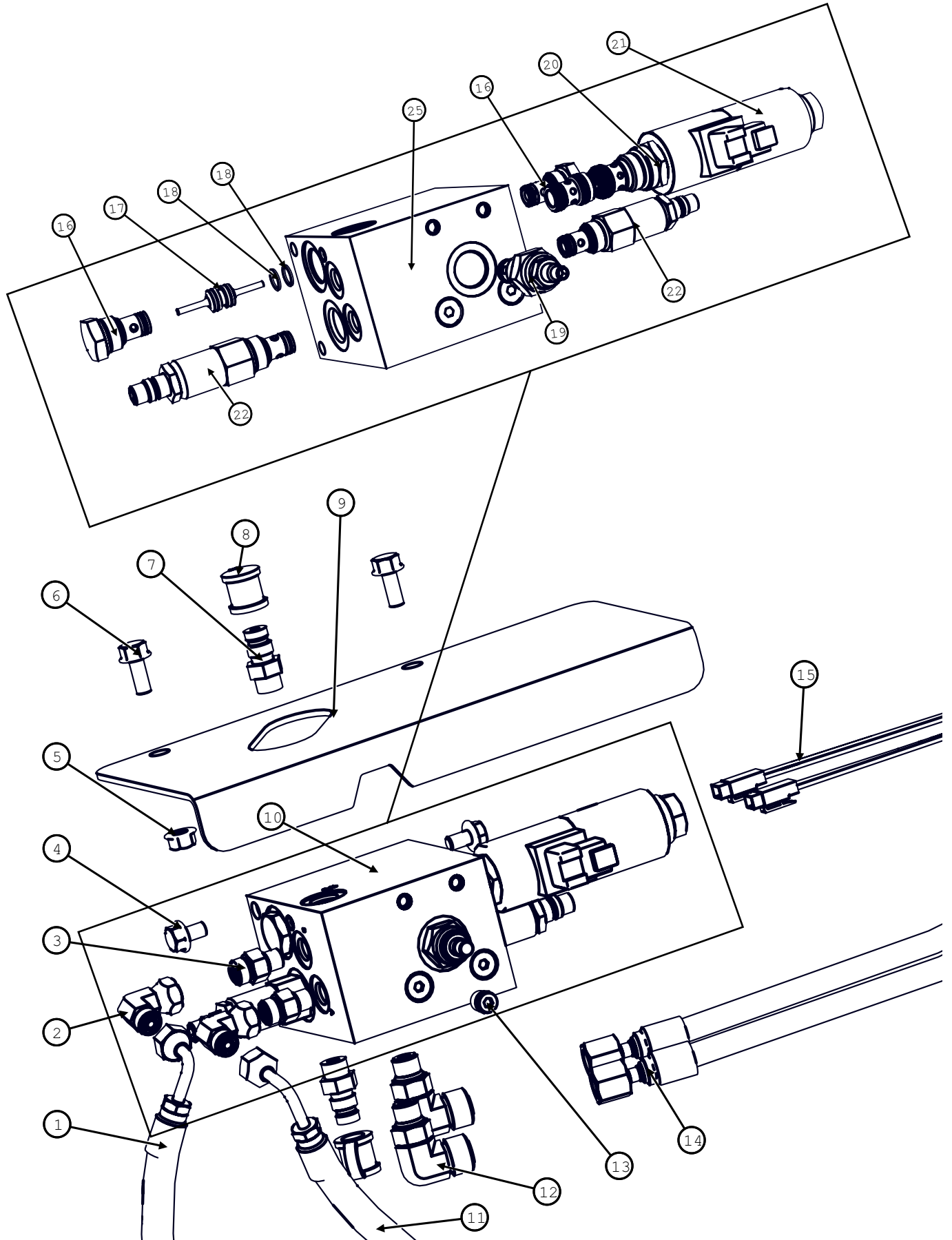


Model JH7010 Hillco Leveling System  
For Serial Numbers JH7010-16001 thru JH7010-16999

<b>Leveling Manifold</b>			
<b>BOM ID</b>	<b>Part No.</b>	<b>Qty</b>	<b>Description</b>
1	1295771	1	HYDRAULIC HOSE FROM MANIFOLD TO FILTER, 100R2-10, 252" 12FORS STR X 12FORS 90°
2	143441	1	FILTER ASM, OIL (Deere Filter Part No AH128449)
3	1295781	1	HYDRAULIC HOSE FROM FILTER TO TANK, 100R1-12, 252" 16FORS STR X 16FORS STR
4	1296121	1	MOUNT, RETURN FILTER
5	1001.16.16	1	-16MORB X -16MORFS
6	1003.16.12	1	16MORB - X-12MORFS
7	1313601	1	MANIFOLD MOUNT
8	1003.12.10	1	-12MORB X -10MORFS
9	143991	1	COUPLER,
10	144001	1	DUST COVER
11	1001.08.08	2	-8MORB X -8MORFS
12	1295741	1	HYDRAULIC HOSE FROM PUMP TO MANIFOLD, 100R2-10, 252", -10FORS 90° X -10FORS STR,
13	163.008	2	BOLT,CARR,CL8.8 M8X20
14	111.005	2	BOLT,HX,FL,GR5 5/16-18X1/2
15	1019.04	1	PLUG -4ORB
16	1003.12.12	1	-12MORB X -12MORFS
17	1309641	1	LEVELING MANIFOLD (SEE 18-25 FOR BREAKDOWN)
18	155241	1	LOGIC ELEMENT, HIGH PRESSURE
19	155235	1	MANIFOLD VALVE BODY, LEVELING
21	196.#10.028	4	SHCS 10-24 X 1.75
22	155237	1	DIRECTIONAL VALVE,PROPORTIONAL (INCLUDES PART NO. 155239)
23	155239	2	SOLENOID COIL,D03,PROP,DEUTSCH
24	155236	2	CAVITY PLUG, 2 WAY, 10 SERIES
25	155240	1	CARTRIDGE, PRESSURE RELIEF

Model JH7010 Hillco Leveling System  
For Serial Numbers JH7010-16001 thru JH7010-16999

**Header Trim Manifold**

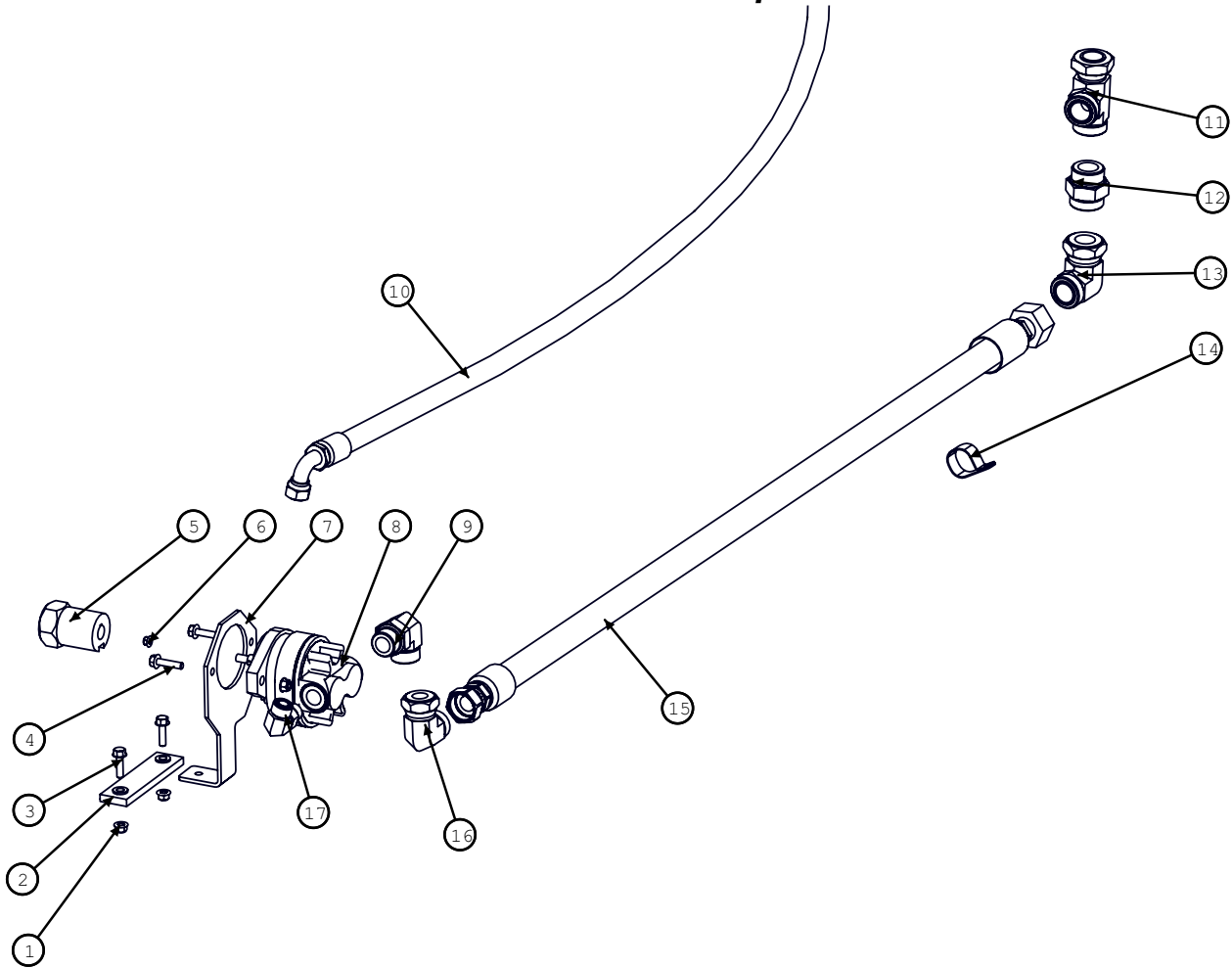


Model JH7010 Hillco Leveling System  
For Serial Numbers JH7010-16001 thru JH7010-16999

<b>Header Trim Manifold</b>			
<b>BOM ID</b>	<b>Part No.</b>	<b>Qty</b>	<b>Description</b>
1	1322101	1	100R17-04X80",
2	1006.04.04	2	HA,90°
3	1001.04.04	2	HA,STR
4	111.005	2	BOLT,HX,FL,GR5 5/16-18X1/2
5	123.008	2	NUT,HX,FL,CL10 M8x20
6	122.008	2	BOLT,HX,FL,CL10.9 M8
7	143991	2	COUPLER,
8	144001	2	DUST COVER
9	1316463	1	SHIELD, TRIM SHIELD
10	1311571	1	MANIFOLD, CUSTOM, TRIM
11	1322112	1	100R17-04 67",
12	1003.08.06	2	-8MORB X -6MORFS
13	1019.04	1	HA,PLUG,SKT,HD
14	1322781	2	100R17AR-04 X 72"
15	1320731	1	HEADER TRIM
16	155246	2	CHECK VALVE, CARTRIDGE
17	155245	1	PILOT PISTON, DOUBLE ACTING
18	155247	2	BACKUP RING
19	155244	1	NEEDLE VALVE, ADJUSTABLE FLOW
20	155249	1	CARTRIDGE VALVE, 3 POS,4 WAY (INCLUDES 155248)
21	155248	2	SOLENOID COIL, CARTRIDGE, PROP
22	155243	2	CARTRIDGE, PRESSURE RELIEF,
23	155242	1	VALVE BODY, TRIM

Model JH7010 Hillco Leveling System  
 For Serial Numbers JH7010-16001 thru JH7010-16999

**Gear Pump**



Gear Pump			
BOM ID	Part No.	Qty	Description
1	128.008	4	NUT,HX,FL,STV,CL10 M8
2	155177	1	ISOLATOR, PUMP DRIVE
3	122.008.030	2	BOLT,HX,FL,CL10.9 M8X30
4	122.008.035	2	BOLT,HX,FL,CL10.9 M8X35
5	1295441	1	COUPLER, GEAR PUMP
6	192.006	1	NUT, HX, FL, STV, GR8,
7	1314191	1	TORQUE ARM
8	148181	1	HYDRAULIC PUMP ASSY,
9	1003.16.16	1	HA,90°
10	1295741	1	100R2-10, 252"
11	1008.2	1	HA,TEE,SWIVEL,NUT,RUN
12	1023.42.20	1	HA, STR, M42MMST X -20MORS
13	1006.20.20	1	HA,90°
14	135631	1	CLAMP, 1-1/2" R/C W 3/8
15	1295791	1	451TC-16, 55"
16	1006.16.16	1	HA,90°
17	1003.10.10	1	HA,90°

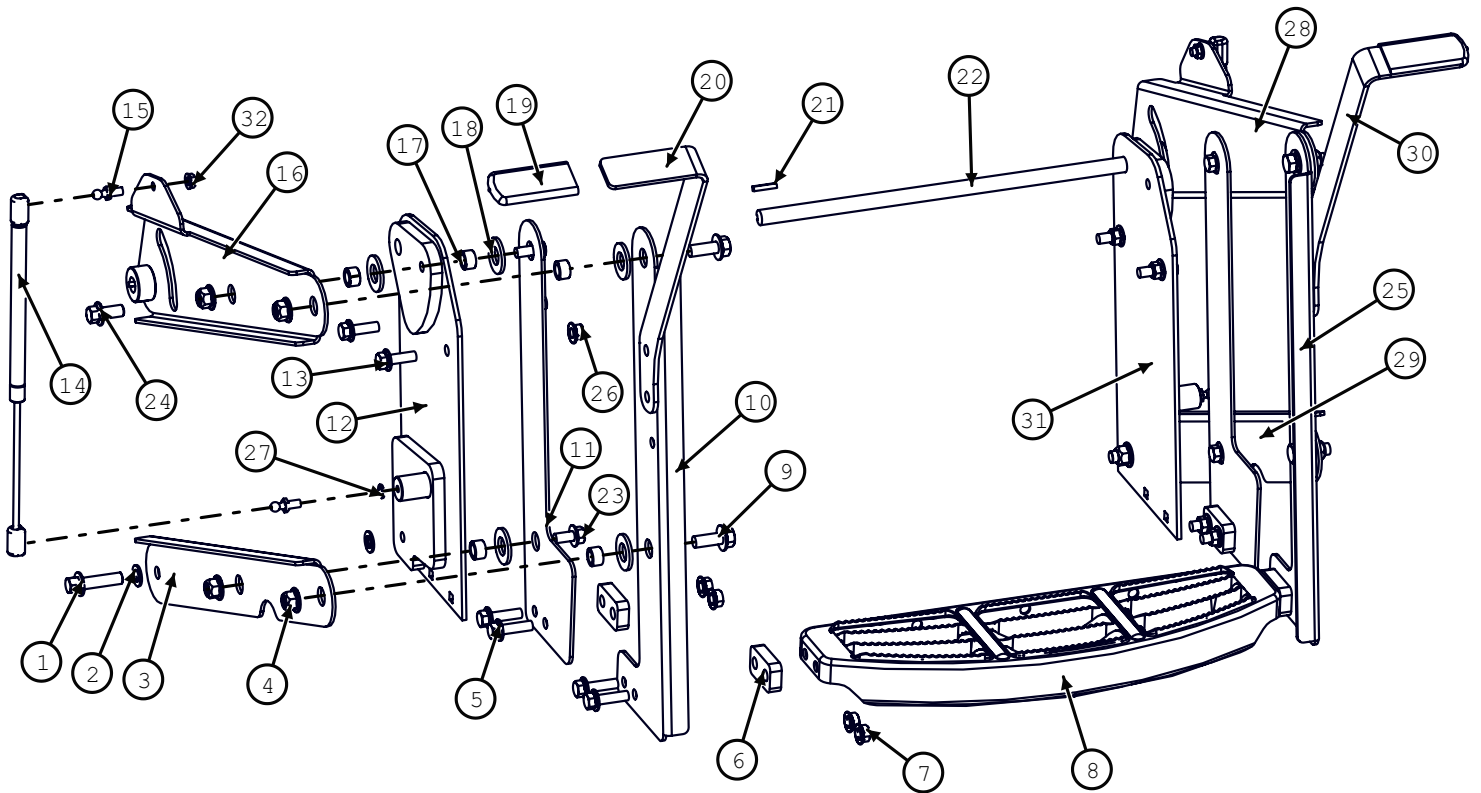
Model JH7010 Hillco Leveling System  
For Serial Numbers JH7010-16001 thru JH7010-16999

## Hydraulic Hoses

Common Hoses			
Part Number	Quantity	Description	Where Used
1138942	1	Grease Hose	HOSE, 100R1-03, 33-1/2" 1/8 MPT X 1/8 MPT
1138951	1	Grease Hose	HOSE, 100R1-03, 40" 1/8 MPT X 1/8 MPT
1138963	1	Grease Hose	HOSE, 100R1-03, 54" 1/8 MPT X 1/8 MPT
1138974	2	Grease Hose	HOSE, 100R1-03, 77" 1/8 MPT X 1/8 MPT
1293431	2	CONNECTS LEFT AND RIGHT LEVELING CYLINDERS	100R2-06 47" #8FORS #8FORS 90°
1295601	2	CONNECTS LEFT LEVELING CYLINDER TO MANIFOLD	100R2-08, 103" 08FORSx08FORS
1295741	1	PRESSURE, PUMP OUTLET TO P PORT	100R2-10, 252" -10FORS 90° X -10FORS STR
1295771	1	RETURN, T PORT TO FILTER	100R1-12, 22", 12FORS STR X 12FORS 90°
1295781	1	RETURN, FILTER TO TANK	100R1-12, 252" 16FORS STR X 16FORS STR
1295791	1	SUCTION	451TC-16, 55" 16FORS STR X 20FORS STR
1295802	1	REPLACES JD HDR LIFT HOSE	100R16-12, 86" -10FORS 90X16FORS
1296021	1	REPLACES JD HDR LIFT HOSE	100R2-08, 49" -8MORS STR X -8FORS 90°
1313671	1	CONNECTS TRIM MANIFOLD A PORT TO ROD PORT OF MASTER CYLINDER	451TC-04, 137", -4FF 45° X -6FF STR
1313681	1	CONNECTS TRIM MANIFOLD B PORT TO BASE PORT OF MASTER CYLINDER	451TC-04, 126", -4FF 45° X -6FF STR
1313902	1	CONNECTS HIC MANIFOLD TO P PORT OF TRIM MANIFOLD	451TC-04, 252", -4FF STR X -4FF STR
1313912	1	CONNECTS HIC MANIFOLD TO T PORT OF TRIM MANIFOLD	451TC-04, 252"-4FF STR X -6FF STR
1313922	2	CONNECTS MASTER CYLINDER TO TRIM CYLINDER (ROD PORT & BASE PORT)	451TC-06, 158"-6FF STR X -6FF STR
LA-130371	2	EXTENDS BRAKE LINES (L&R)	HOSE, TITEFLEX, 31" -4FORSx4FORS&4UNION
Standard Transmission SN ( -765000)			
1140403	1	EXTENDS CASE DRAIN	HH ASM, 100R1-12, 74", -12MORS x -12FORS
1273301	1	EXTENDS FROWARD HYDRO LINE	HH ASM, EFG6K-16, 89" -16SPFL 90°x -16SPFL STR
1296901	1	EXTENDS PARKING BRAKE HOSE	100R2-08, 36", -8FORS X -8MORS
Common ProDrive			
1273462	2	100R2-08 62", #10FF x #8FF 90°	Filter Head; Front and Side Ports to Valve Block Ports
1297421	1	100R2-10 66", -10FF 90° x -10MF STR	Extends AH226084 to Proportionator Motor Supply
1297441	1	100R1-12 66", -12FF 90° x -12MF STR	Extends AH226085 to Proportionator Pump Supply
1297452	1	100R2-10 147", -10FF STR x -10FF 90°	Replaces AH219243; Connects Rear Filter Port to Proportionator Motor Return
1297481	1	100R2-06 31", -6FF 90° x -6MF STR	Extends AH226119 to the Transmission Lube
1297641	1	100R2-06 78", -06MF STR x -06FF 90°	Extends Right Brake Line
1297651	1	100R2-06 60", -06MF STR x -06FF STR	Extends Left Brake Line; Extends Lube Line
ProDrive SN ( -765000)			
1274111	1	EXTENDS THE CASE DRAIN	100R1-12 24", -16MF STR X -16 FF STR
1276631	1	EXTENDS REAR HYDROSTAT LINE (PRO-DRIVE)	EFG6K-16 128", 90° CODE 62 x STR CODE 62
1276642	1	EXTENDS FORWARD HYDROSTAT LINE (PRO-DRIVE)	100R15-16 122", 90° CODE 62 x STR CODE 62
ProDrive SN (765001- )			
1316861	1	HYDRO REVERSE	EFG6K-16, 71"
1273301	1	EXTENDS FROWARD HYDRO LINE	HH ASM, EFG6K-16, 89" -16SPFL 90°x -16SPFL STR

Model JH7010 Hillco Leveling System  
For Serial Numbers JH7010-16001 thru JH7010-16999

**RETRACTABLE LADDER**



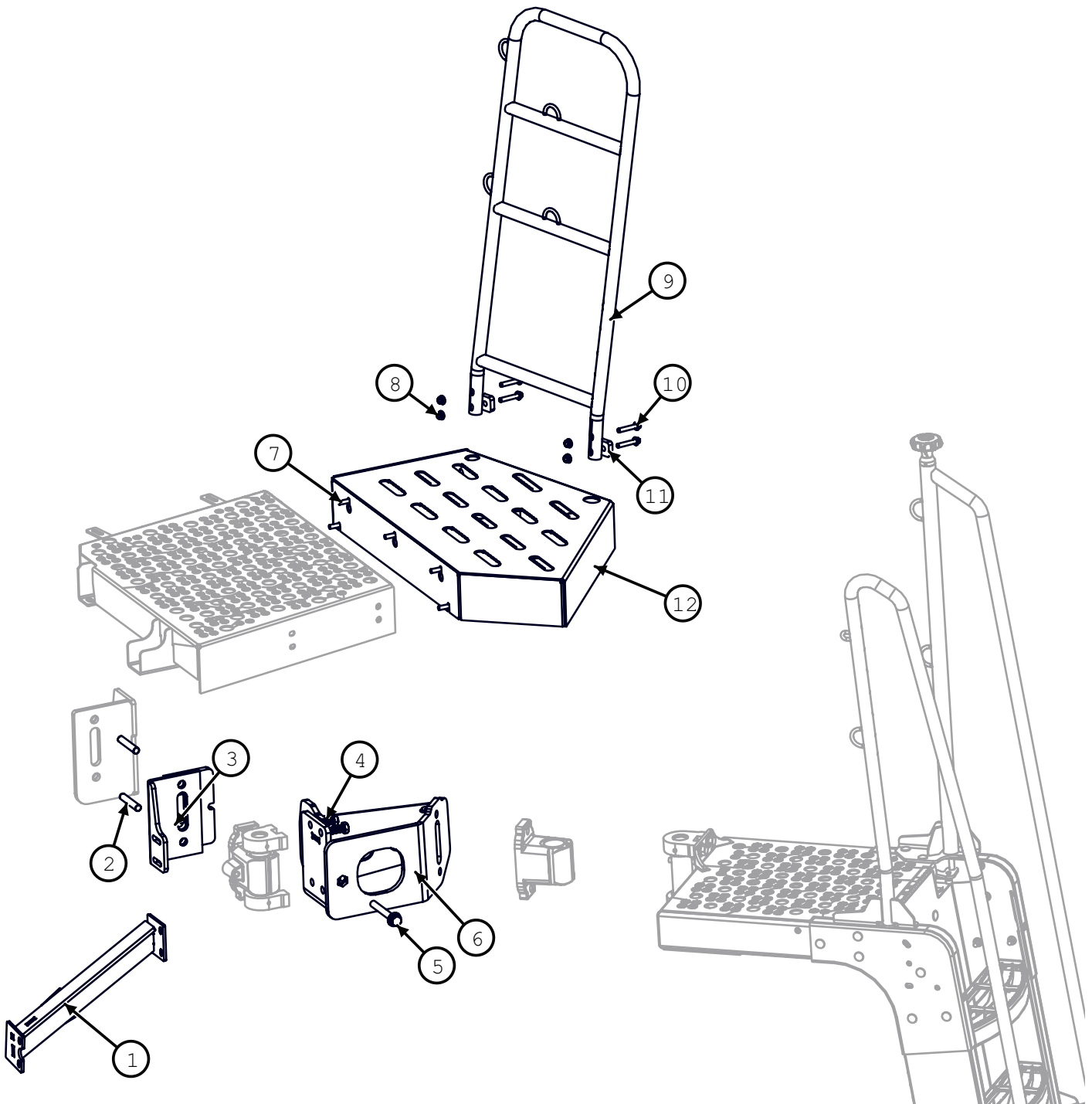
Model JH7010 Hillco Leveling System  
For Serial Numbers JH7010-16001 thru JH7010-16999

**Retractable Ladder**

<b>BOM ID</b>	<b>Part No.</b>	<b>Qty</b>	<b>Description</b>
1-32	1300211	1	ASSEMBLY, MOVING STEP (HILLSIDE)
2	122.012.045	2	FLHC-10.9M12X1.75X45
2	162.014.008	4	MACHINE BUSHING 14GA NR 1/2ID
3	1300091	1	LM LINK, LWR RIGHT PARALLEL
4	128.012	10	FLHN-10.9M12X1.75 STVR
5	122.010.035	8	SCREW, FLANGED HEX CAP, 10.9
6	1300191	4	LM SPACER, STEP
7	123.01	12	FLHN-10.9 M10 X 1.50
8	152601	1	STEP, PLATFORM, STEP (HXE19816)
9	122.012.030	4	FLHC-10.9 M12X1.75X30
10	1300162	1	LM PLT, VERTICAL OUTER RIGHT
11	1300111	2	LM LINK, VERTICAL INNER
12	1300061	1	LM WLD, RHT LADDER MNT
13	122.010.030	4	FLHC 10.9 M10 X 1.5 X 30
14	155327	2	STRUT, LIFT, 100LB, 15OPC, 6" STROKE
15	134931	4	LIFT SUPPORT BRACKETS (PAIR)
16	1300121	1	LM WLD, TOP RIGHT LINK
17	1299181	10	LM BUSHING, LADDER PIVOT
18	153.010.012	10	MACHINE BUSHING 10GA WR 3/4ID
19	151921	2	GRIP, JD#W25634
20	1306351	1	LM PLT, HANDLE, LEFT
NS	1316512	1	LM PLT, HANDLE, LEFT - SHORT
21	10049.03.00016	2	KEY, STR, 3/16 X 3/16 X 1
22	1298191	1	LM RND, ROCK SHAFT
23	122.010.020	4	FLHC-10.9M10X1.75X20
24	122.012.025	2	FLHC-10.9M12X1.75X25
25	1300172	1	LM PLT, VERTICAL OUTER LEFT
26	128.01	4	FLHN-10.9M10X1.5 STVR
27	136.005	2	LOCK WASHER 5/16"
28	1300141	1	LM WLD, TOP LEFT LINK
29	1300101	1	LM LINK, LWR LEFT PARALLEL
30	1300182	1	LM PLT, LADDER HANDLE RIGHT
NS	1316502	1	LM PLT, HANDLE, RIGHT - SHORT
31	1300051	1	LM WLD, LEFT LADDER MNT
32	119.005	2	FLHN 5/16-18



### Ladder Wedge

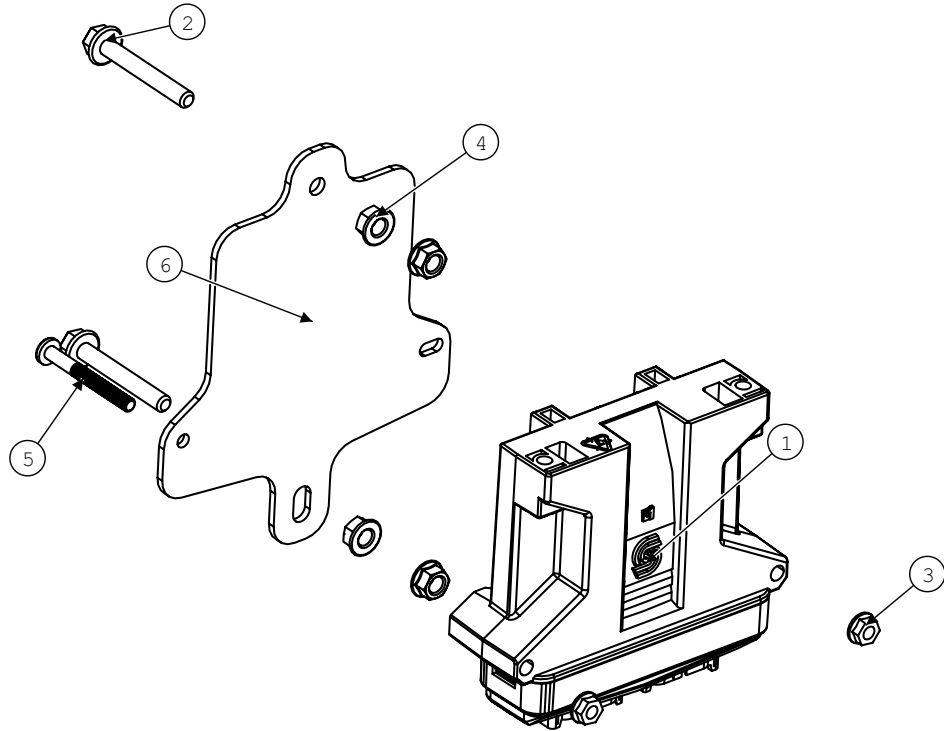


Model JH7010 Hillco Leveling System  
For Serial Numbers JH7010-16001 thru JH7010-16999

**Ladder Wedge**

<b>BOM ID</b>	<b>Part No.</b>	<b>Qty</b>	<b>Description</b>
1	1296081	1	LM WLD, LADDER BRACE
2	155.016.090	2	STUD, DOUBLE-10.9 M16X2.00X90
3	1301181	1	LM ASM, SUPPORT BRACKET
4	122.016.040	4	HC 10.9M16X2.0X40
5	122.016.090	1	
6	1300931	1	LM WLD, PIVOT EXTENSION
7	122.010.030	5	FLHC 10.9 M10 X 1.5 X 30
8	F-HNF-10ME	4	FLHN-10.9 M10 X 1.50
9	MC-153571	1	HANDRAIL, EXTENSION ASSY FRONT ( AXE16380)
10	122.010.060	4	FLHC-10.9M10X1.50X060
11	LP-307281	2	LM PLT, SPACER, PLATFORM
12	LW-301102	1	LM WLD, PLATFORM

### Controller/Wiring Harnesses

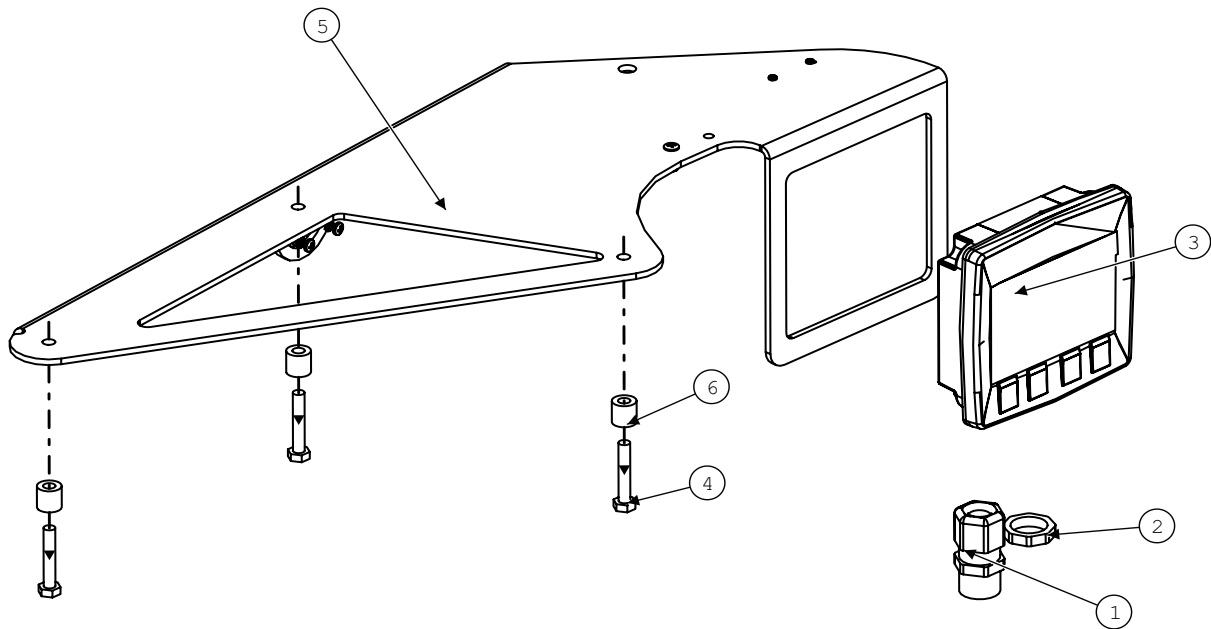


Electrical Components			
BOM ID	Part No.	Qty	Description
1	141831	1	SAUER-DANFOSS PLUS 1 CONTROLLER, PROGRAM 1296211
2	122.008.060	2	FLHC-M08X1.25X60
3	119.004	2	PHMS-GR5-1/4-20 X 2-1/4"
4	123.008	4	FLHN 10.9 M8 X 1.25
5	114.004.036	2	SCREW,PHM,CH,SERR
6	1295201	1	EM PLT, CONTROLLER MNT

Wiring Harnesses			
NS	Part No.	Qty	Description
NS	1294743	1	EM HARNESS, PRIMARY
NS	1295181	1	EM HARNESS, SENSOR PACKAGE
NS	1295342	1	EM HARNESS, TA SENSOR
NS	1296841	1	EM HARNESS, DUAL CAN LINK
NS	1319741	1	PRIMARY HARNESS, EXTENSION
NS	1323231	1	CAB POWER PIGTAIL
NS	1320731	1	HEADER TRIM

Model JH7010 Hillco Leveling System  
 For Serial Numbers JH7010-16001 thru JH7010-16999

**Monitor**



Electrical Components			
BOM ID	Part No.	Qty	Description
1	EC-138781	1	STRAIN RELIEF, NYLON, BLK,
2	EC-142121	1	STRAIN RELIEF NUT, 1/2" BLACK
3	151591	1	DISPLAY, SAUER DANFOSS DP-250
4	120.006.035	3	HC-10.9 M6x1.0X35
5	1296702	1	EM MNT, HILLSIDE DISPLAY
6	151931	3	BUSHING, NYLON .25ID x .50D

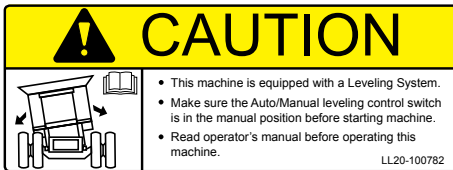
**Decals and Literature**



1) LL-133741



2) LL-151041



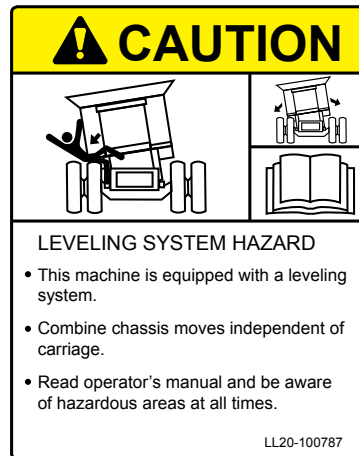
3) LL20-100782



5) LL20-100784



4) LL20-100783



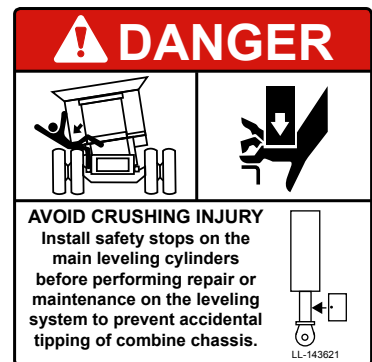
7) LL20-100787



6) LL20-100786



8) LL20-100788



9) LL-143621

Model JH7010 Hillco Leveling System  
For Serial Numbers JH7010-16001 thru JH7010-16999

DECALS AND LITERATURE				
REF.	PART NO.	QTY.	PART NAME	DESCRIPTION
1	LL-133741	1	LABEL, GREASE 50 HRS	OC BULKHEAD
1	LL-133741	2	LABEL, GREASE 50 HRS	RIGHT & LEFT MAIN LEV CYL BOTTOM
1	LL-133741	1	LABEL, GREASE 50 HRS	MASTER CYLINDER ROD
2	LL-151041	2	DECAL, HILLSIDE LEVELING SYSTEM	SIDE OF COMBINE
3	LL20-100782	1	CAUTION LEVELING SYSTEM CAB	WINDOW IN CAB
4	LL20-100783	2	DANGER, CRUSHING HAZARD	RIGHT & LEFT UNDERCARRIAGE
4	LL20-100783	2	DANGER, CRUSHING HAZARD	SIDES OF DROP AXLE ASSEMBLY
5	LL20-100784	2	DECAL, DANGER PINCH POINT	RIGHT & LEFT UPPER TRANS FACE PLT
6	LL20-100786	1	WARNING ELECTRICAL CRUSHING HAZARD	FRONT OF ELECTRICAL CONTROL BOX
7	LL20-100787	1	CAUTION - LEVELING SYSTEM HAZARD	ON LADDER PLATFORM
8	LL20-100788	1	DANGER - HYDRAULIC HAZARD	ON SIDE OF COMBINE ABOVE THE HYDRAULIC MANIFOLD
8	LL20-100788	2	DANGER - HYDRAULIC HAZARD	FOR EACH LEVELING CYLINDER
9	LL-143621	2	DANGER, AVOID CRUSHING INJURY	IN AREA NEAR SAFETY STOP STORAGE LOCATION
NS	LL-147651	1	LABEL, FEMA MEMBER TAG	NEAR SERIAL NUMBER TAG
NS	LA-255961	1	TAG, SERIAL NUMBER	
NS	LL-289641	1	CM LABEL, MECHANICAL CYLINDER STOP	
NS	D-120613CMA01A	1	MANUAL, PARTS	
NS	D-120427MCA01B	1	MANUAL, OPERATORS	
NS	D-050611SLR01	1	WARRANTY REGISTRATION CARD	
NS	LL-239412	1	LABEL, STEERING WHEEL	TIED TO STEERING WHEEL DURING INSTALLATION
NS	D-120412CMA01	3	DEALER PDI & INSTALL CHECKLIST	

Model JH7010 Hillco Leveling System  
For Serial Numbers JH7010-16001 thru JH7010-16999

**Notes**

Hillco Technologies, Inc.  
107 1st Avenue  
Nezperce, Idaho 83543

Phone	800-937-2461
	208-937-2461
Fax	208-937-2280

[www.hillcotechnologies.com](http://www.hillcotechnologies.com)  
email: [support@hillcotechnologies.com](mailto:support@hillcotechnologies.com)