

Model CS9030 Hillco Leveling System
For Serial Numbers CS9030-20001 thru CS9030-20999



Model CS9030 Hillside Leveling System Parts Manual

SN CS9030-21001 thru CS9030-21999
For Case-IH 7250, 8250, and 9250
Combines

D-200107DMC01A



CS9030 Sidehill Leveling System

For Case-IH 7250, 8250, and 9250 Combines

Table of Contents

General Information	3
Serial Number Location	3
Text and Illustrations	3
Abbreviations	3
Right and left Identification	3
Part Orders	3
TRANSITION	4
Transition Throat	4
Transition Header Adapter	6
Transition Sensor	8
CARRIAGE	9
Overcarriage	9
Undercarriage	11
Carriage Position Sensor	12
LADDER	13
ELECTRICAL	15
Leveling Box	15
Monitor & Remote Switches	16
Electrical Harnesses	17
HYDRAULICS COMPONENTS	18
Leveling Manifold	20
Hydro Hose Accessories	22
Hydraulic Hoses	24
MISCELLANEOUS	25

Contact Information

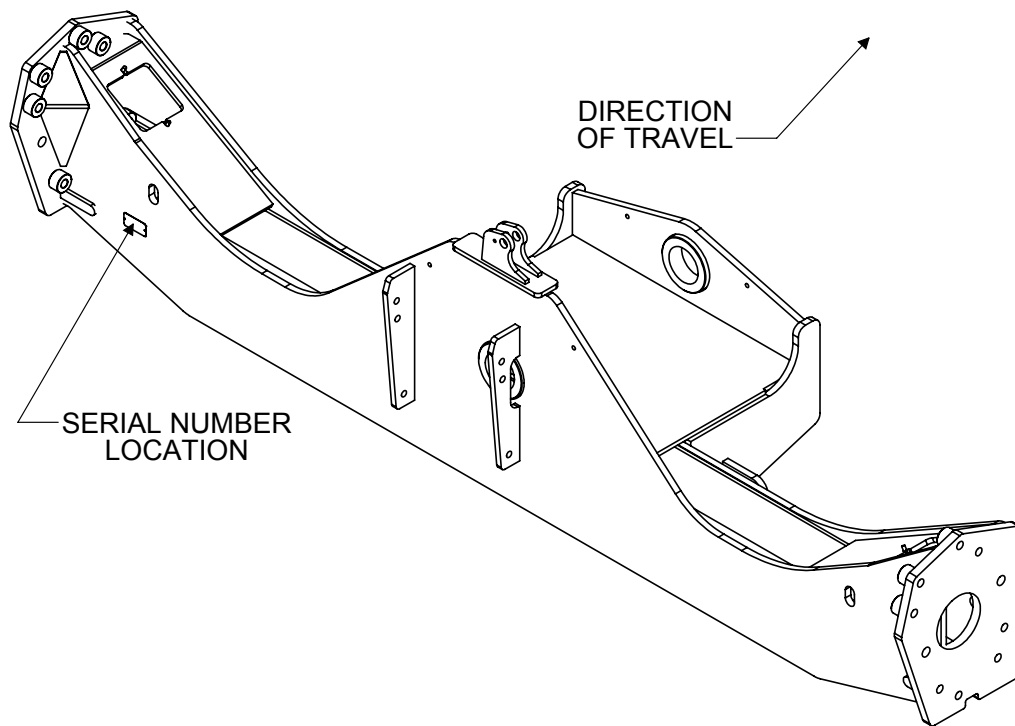
Hillco Technologies, Inc.
107 1st Avenue
Nezperce, Idaho 83543

Phone	800-937-2461
	208-937-2461
Fax	208-937-2280

www.hillcotechnologies.com
email: support@hillcotechnologies.com

GENERAL INFORMATION

SERIAL NUMBER LOCATION



TEXT AND ILLUSTRATIONS

The arrangement of this parts catalog is for easy identification of parts. All parts are illustrated in exploded views in proper relation to each other. Some diagrams refer to other pages for further information. Reference numbers used in the illustrations refer to line numbers in the part lists. The part lists appear to the right or below all diagrams and correspond with those diagrams. Included in the part lists, along with the reference numbers are part numbers, part descriptions and the quantity of the part required per leveling system.

ABBREVIATIONS

SN "Serial Number" refers to the serial number given to each leveling system (by Hillco Technologies), as well as the serial number given to the combine (by the specific combine manufacturer) the leveling system is installed. See above for the leveling system's serial number location. This abbreviation is used interchangeably in both instances. Each Model CS9030 Leveling System uses the following serial number format: CS9030-XXXXX (sequential numbers).

ASM "Assembly" refers to a whole grouping of parts (shown in the diagram corresponding with the page where "ASM" is shown unless otherwise noted). Some assemblies have parts that are sold separately, however some must be purchased as a single unit. Hillco Product Specialists will be able to assist you with any questions.

NS "Not Shown" refers to a part that is not depicted in the illustration.

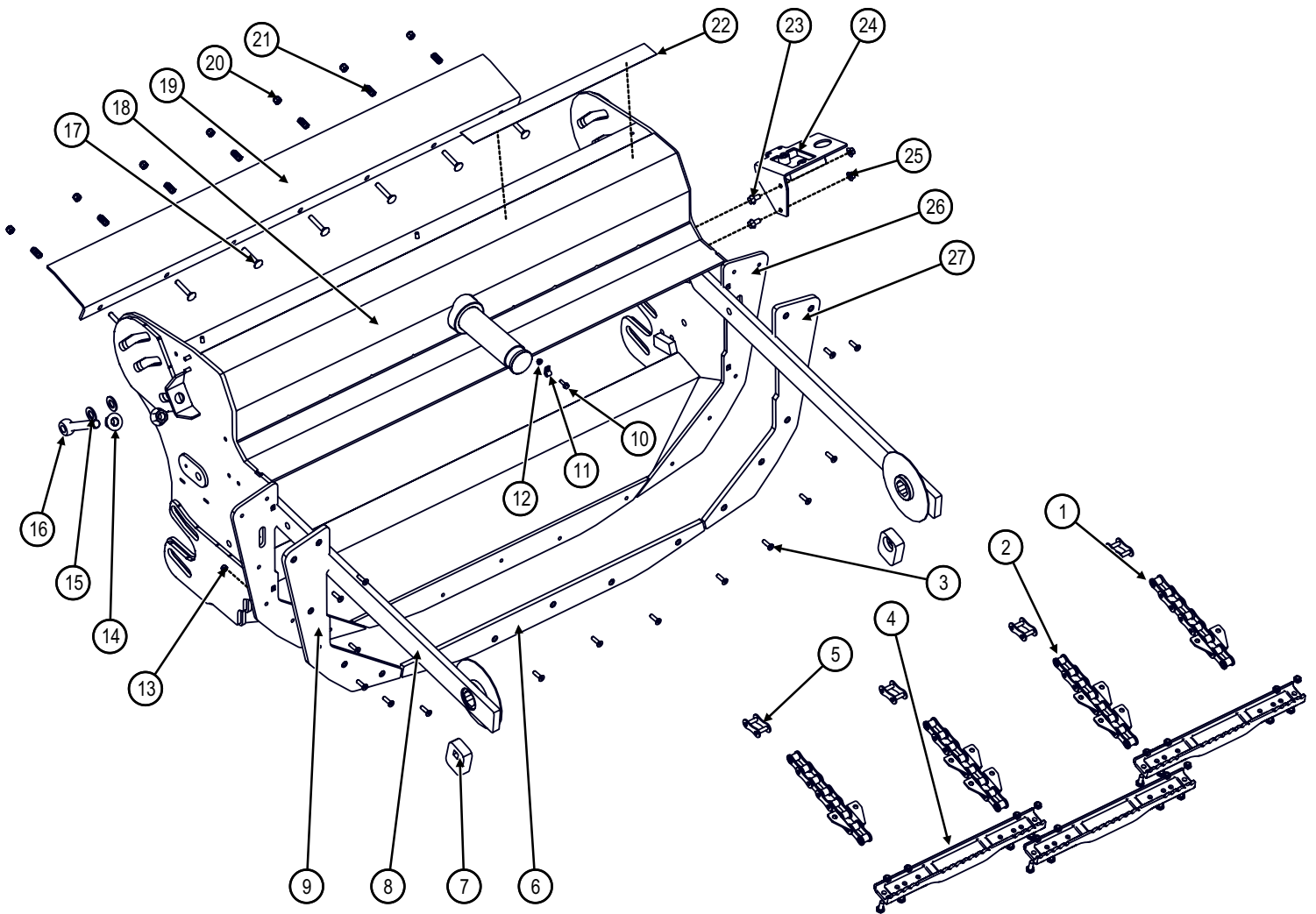
RIGHT AND LEFT IDENTIFICATION

The reference to right-hand and left-hand in this catalog is identified by the operator sitting in the operator's seat, looking toward the front of the machine (in normal forward travel).

PART ORDERS

Orders must specify product model, serial number, correct part number, complete description, quantity required, method of shipment, shipping address, and billing address.

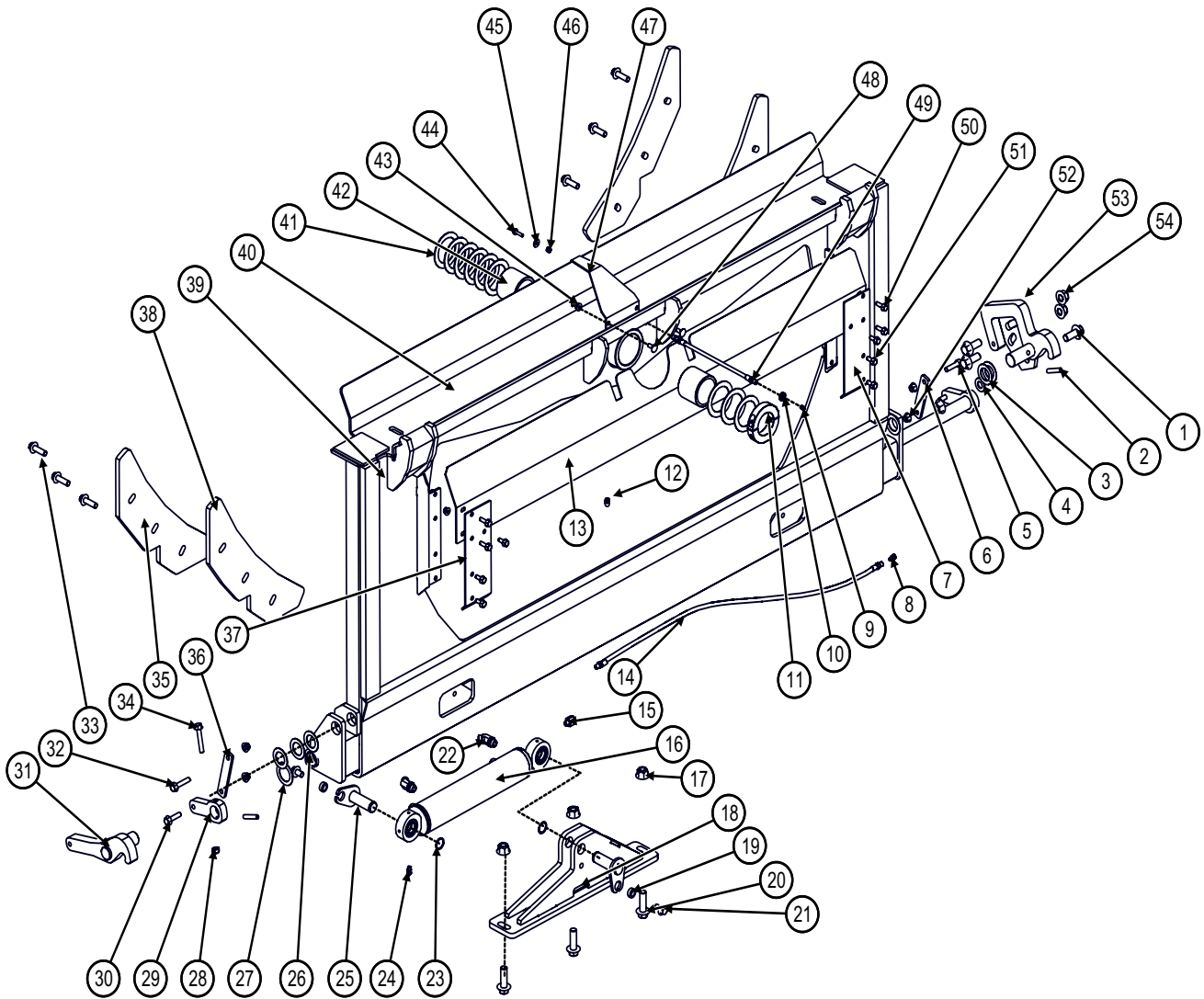
TRANSITION THROAT



Model CS9030 Hillco Leveling System
For Serial Numbers CS9030-20001 thru CS9030-20999

Transition Throat			
BOM ID	Description	Qty	Description
1	1354992	2	CHAIN EXT, OUTER FEEDER
2	1354982	2	CHAIN EXT, INNER FEEDER
3	164.008.030	17	SCREW,FHSC,CL-10.9 M8 X 30
4	155903	3	KIT, CAST SLAT, FEEDER
5	155906	4	CONNECTING LINK, 960H CHAIN
6	1354621	1	WEAR PLATE, BOTTOM
7	1354811	2	LOWER STOP, FEEDER DRUM
8	1354851	2	ARM, FEEDER DRUM
9	1354602	1	WEAR PLATE, RIGHT
10	122.006.020	2	BOLT,HX,FL,CL10.9 M6X20
11	142101	2	LOOP, CLOSED, .375", R/C
12	123.006	2	NUT,HX,FL,CL10 M6
13	126.008	1	NUT,HX,STV,CL10 M8
14	123.020	4	NUT,HX,FL,CL10 M20
15	133.012	4	WASHER, FLT L9,HD 3/4
16	169.020.150	2	BOLT,EYE M20X150
17	163.010.060	7	BOLT,CARR,CL8.8 M10 X 60
18	1354791	1	THROAT
19	1351411	1	FLOOR PLATE, FLEX
20	191.010	7	NUT,HX,NYL,CL8 M10
21	143591	7	.125WIREx1.09Lx.703OD
22	10262.32.00352	1	#610,BLK 2"X22"
23	122.010.020	2	BOLT,HX,FL,CL10.9 M10X20
24	1351221	1	HYDRAULIC COUPLER
25	123.010	2	M10 x 1.5
26	126.008	16	NUT,HX,STV,CL10 M8
27	1354612	1	WEAR PLATE, LEFT

TRANSITION HEADER ADAPTER

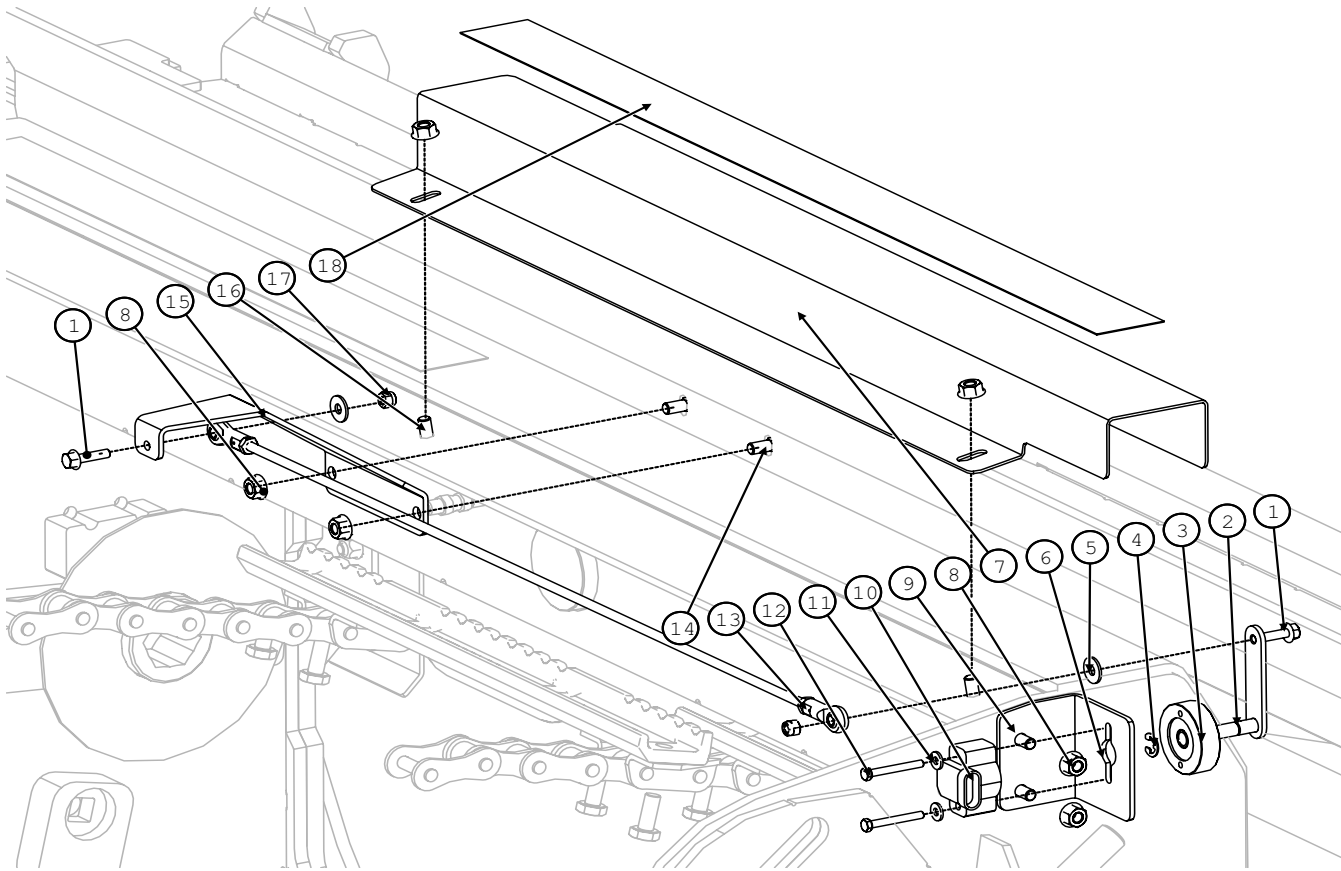


Model CS9030 Hillco Leveling System
For Serial Numbers CS9030-20001 thru CS9030-20999

Header Adapter			
BOM ID	Description	Qty	Description
1	122.016.040	3	BOLT, HX, FL, CL 10.9 M 16X40
2	140.006.032	2	PIN,ROLL, 3/8 X 2
3	162.018.020	6	BUSHING,MACH
4	133.010	1	WASHER, FLT L9,HD 5/8
5	195.010.040	1	SCREW,SHC,CL10.9 M10X40
6	1270201	1	LINKAGE, HDR LOCK, LFT
7	1273221	1	LEFT SHIELD
8	141931	1	1/4-28MTAPER
9	138011.000	1	ZERK,STR, 1/4-28MTAPER
10	155158	2	BULKHEAD,LOCKNUT
11	150742.000	1	2-1/2 ID 3-3/4 OD
12	155159	1	ADAPTER,GREASE,90°
13	1354541	1	TOP SHIELD
14	1353201	1	HLB-02X35",-02MP STR SWVL X 1/8-27NPSM STR
15	135881	1	ADAPTER,GREASE,STR
16	138582	1	CYLINDER,SLAVE,18-1/2"CPC,
17	128.016	2	M16x2.0,
18	1250713	1	SLAVE CYL ROD MOUNT
19	1351031	2	BUSHING, CYLINDER PIN
20	122.016	3	NUT,HX,FL,STV,CL10 M16X2.
21	122.012.020	2	BOLT,HX,FL,CL10.9 M12X20
22	1002.06.06	2	HA,45° -6MORB X -6MORFS
23	240.016	2	RING,RETAINING,SPIRAL,EXT 1"
24	140471	1	1/4-28MTAPER
25	1351591	2	CYLINDER PIN, TRIM
26	1351451	1	CROSS SHAFT, HDR LOCK
27	162.018.024	2	BUSHING,MACH
28	126.010	1	STV,CL10 M10
29	1270191	1	PIVOT ARM, LOWER, RHT
30	122.010.040	2	BOLT,HX,FL,CL10.9 M10X40
31	1351481	1	HEADER LOCK, RHT
32	122.010.050	1	BOLT, HX, FL, CL 10.9 M10X50
33	122.012.040	6	BOLT,HX,FL,CL10.9 M12X40
34	122.010.060	1	BOLT,HX,FL,CL10.9 M10X60
35	1354581	2	BACKING PLATE
36	1270211	1	LINKAGE, HDR LOCK, RHT
37	1273211	1	RIGHT SHIELD
38	1354591	2	WEAR PAD, BACKING PLATE
39	128.008	10	M8x1.5
40	1354571	1	HEADER ADAPTER
41	162.014.040	9	14GA, 2-1/2ID
42	1241721	2	PIVOT BUSHING
43	123.008	2	NUT,HX,FL,CL10 M8
44	122.006.025	1	BOLT,HX,FL,CL10.9 M6X25
45	105.004	1	WASHER,FLT 1/4
46	191.006	1	NUT,HX,NYL,CL8 M6
47	1357071	1	SENSOR MOUNT,
48	163.008.020	2	BOLT, CARR, CL8.8 M8 X 20
49	1356311	1	HLB-02X12"; -02MP STR SWVL x 1/8-27 NPSM STR
50	122.008.025	4	BOLT,HX,FL,CL10.9 M8X25
51	122.008.020	6	BOLT,HX,FL,CL10.9 M8X20
52	128.010	4	NUT,HX,FL,STV,CL10 M10
53	1351521	1	HEADER LOCK, LFT
54	123.016	3	NUT,HX,FL,CL10 M16

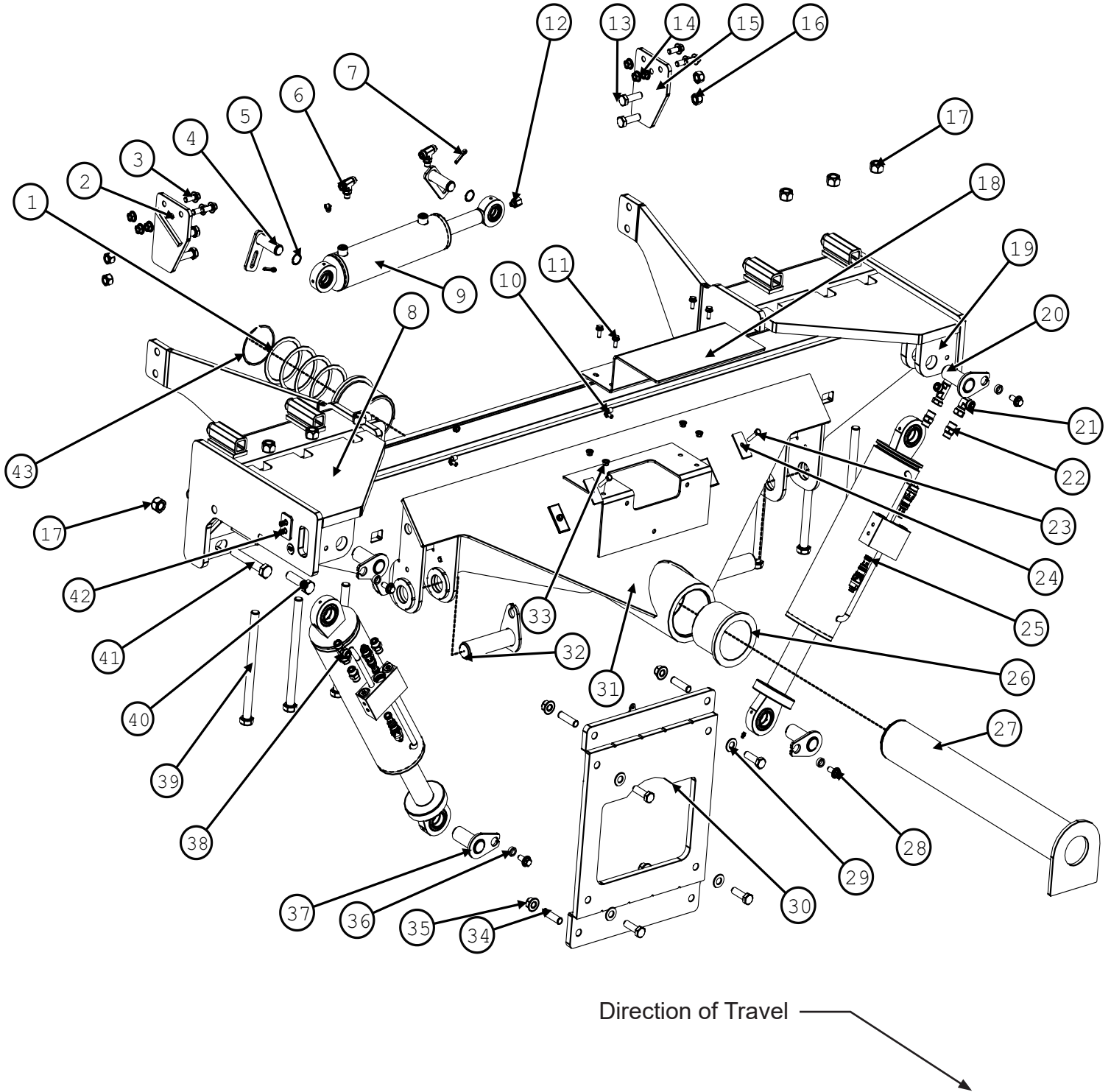
Model CS9030 Hillco Leveling System
For Serial Numbers CS9030-20001 thru CS9030-20999

TRANSITION SENSOR



TRANSITION TILT SENSOR			
BOM ID	Description	Qty	Description
1	122.006.025	2	BOLT,HX,FL,CL10.9 M6X25
2	1356761	1	SENSOR ARM
3	1356801	1	SENSOR MOUNT
4	249.006	1	RING,RET,E-STYLE,EXT 3/8
5	105.004	2	WASHER,FLT 1/4
6	1356681	1	SENSOR MOUNT,
7	1356671	1	SHIELD, SENSOR ROD
8	123.008	6	NUT,HX,FL,CL10 M8
9	122.008.025	2	BOLT,HX,FL,CL10.9 M8X25
10	87330286	1	CASE IH SENSOR
11	105.003	2	WASHER, FLT 3/16
12	170.005.040	2	BOLT,HX,CL8.8 M5X40
13	1356721.000	1	SENSOR LINKAGE
14	163.008.020	2	BOLT, CARR, CL8.8 M8 X 20
15	1357071	1	SENSOR MOUNT,
16	122.008.020	2	BOLT,HX,FL,CL10.9 M8X20
17	191.006	2	NUT,HX,NYL,CL8 M6
18	10262.32.00480	1	#610,BLK 2"X30"

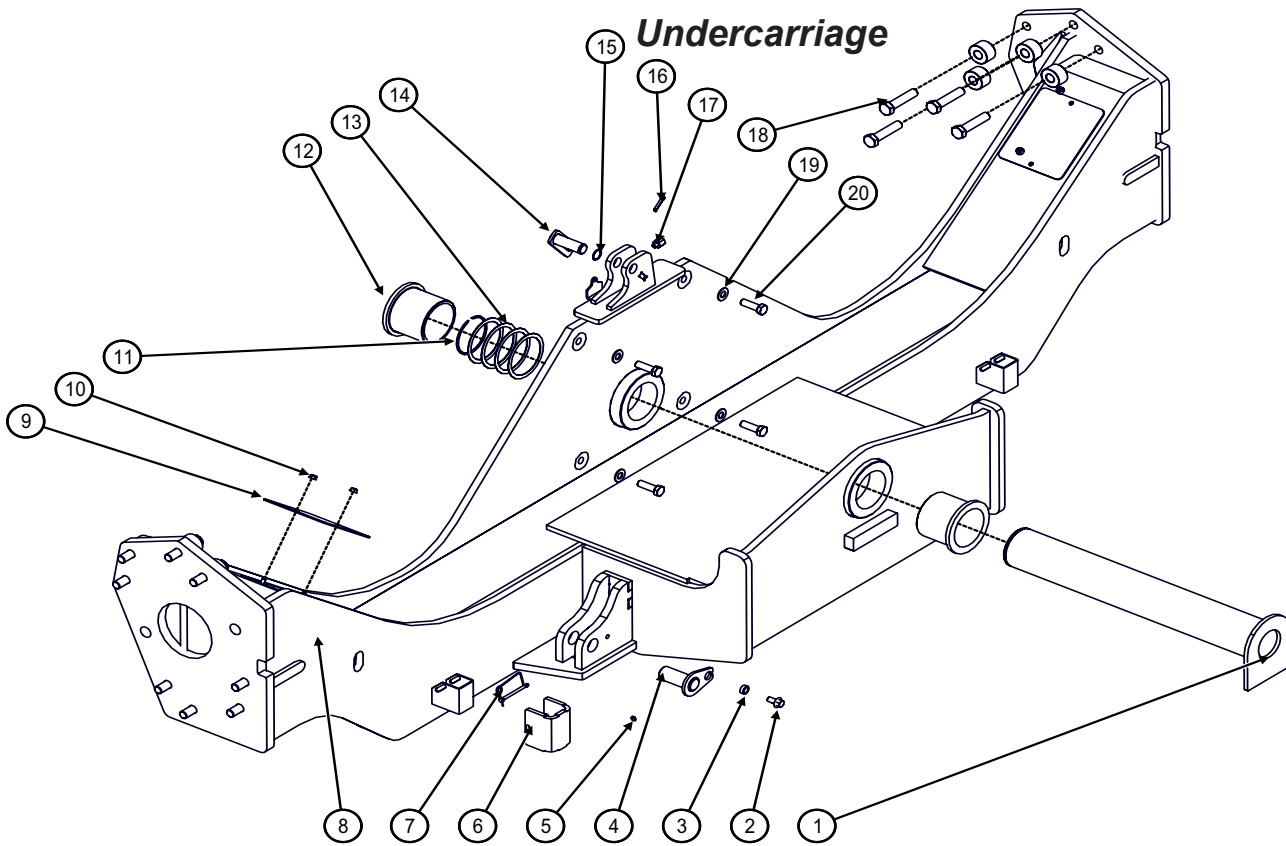
OVERCARRIAGE



Model CS9030 Hillco Leveling System
For Serial Numbers CS9030-20001 thru CS9030-20999

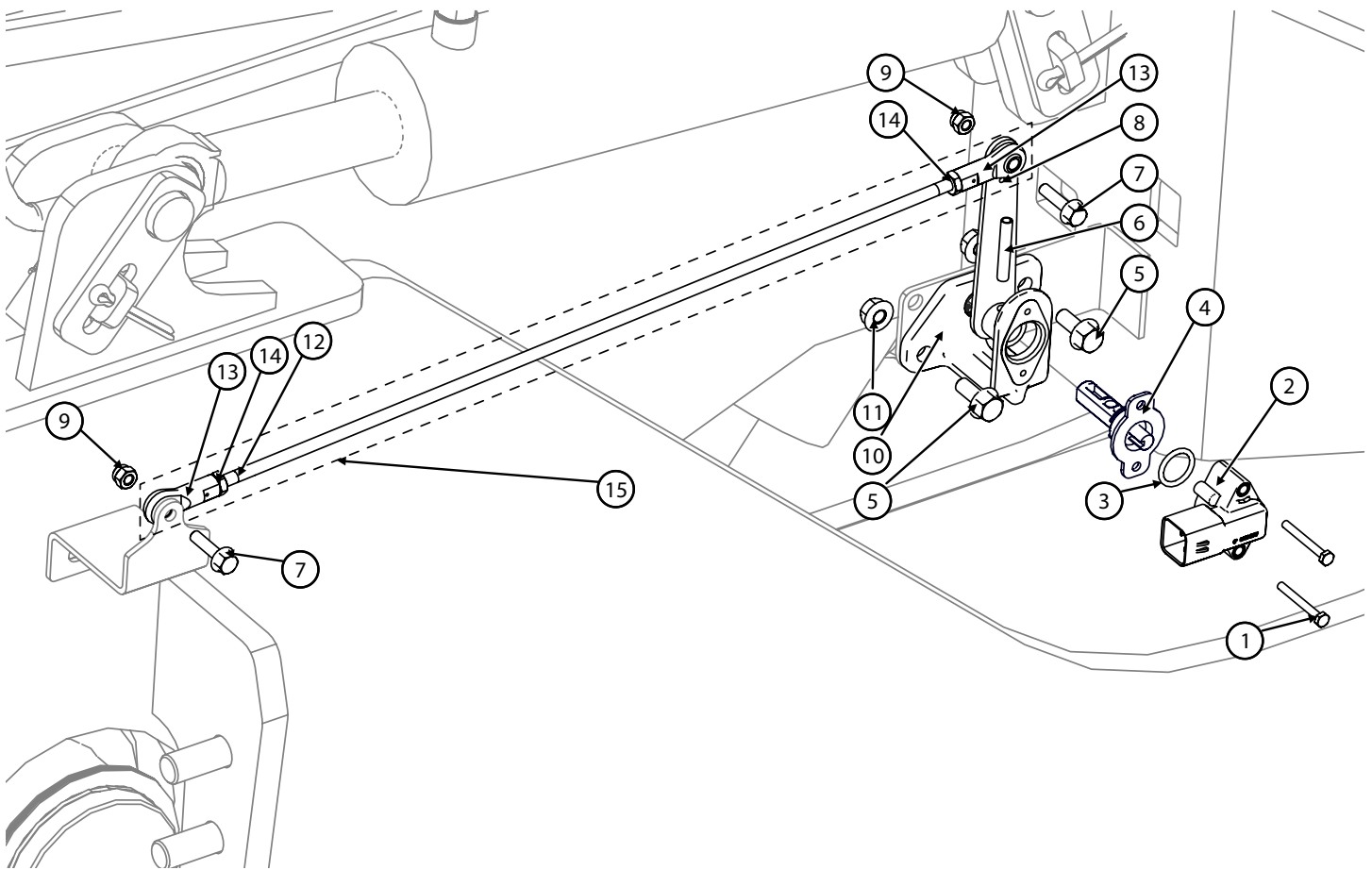
Overcarriage			
BOM ID	Part No.	Qty	Description
1	1351021	4	CA WLD, OVERCARRIAGE
2	1251481	1	MOUNT, SWING ARM
3	122.012.030	6	BOLT,HX,FL,CL10.9 M12X30
4	1345961	2	CYLINDER PIN,
5	240.016	2	RING,RETAINING,SPIRAL,EXT 1"
6	1009.06	2	HA,TEE,STR,THD BRA -6MFX-6MO
7	142.004.016	2	PIN, COTTER 1/4" X 1"
8	138641	1	WASHER 4.016ID X 4.764OD X.048
9	147501	1	CYLINDER,MASTER,3"B,8-3/4"STR,17-1/4"CPC
10	142101	2	LOOP, CLOSED, .375", R/C
11	122.008.020	4	M8X20BOLT,HX,FL,CL10.9 M8X20
12	135881	1	ADAPTER,GREASE,STR
13	120.016.050	8	BOLT,HX,CL10.9 M16X50
14	123.012	6	NUT,HX,FL,CL10 M12
15	1251471	1	MOUNT, SWING ARM, LEFT
16	126.016	4	NUT,HX,STV,CL10 M16
17	126.020	16	NUT,HX,STV,CL10 M20
18	1346491	1	BOX COVER, ELECTRICAL
19	133741	2	LABEL, GREASE, 50 HRS
20	1350891	4	CYLINDER PIN, LEVELING
21	1006.08.08	1	HA, 90° -8FORFS X -8MORFS
22	1001.08.08	4	HA,STR -8MORB X -8MORFS
23	101.005.028	2	BOLT,HX,GR5 5/16-18 X 1-3/4
24	139451	2	COVER PLATE,TWIN
25	155856	2	CYLINDER, LEVELING, DUAL CB, 4-1/2" BORE,
26	1247961	2	CA PRT, PIVOT BUSHING
27	1350851	1	PIVOT PIN, MAIN
28	122.012.025	6	BOLT,HX,FL,CL10.9 M12X25
29	133.010	4	WASHER, FLT L9,HD 5/8
30	1350831	1	TRANSMISSION MOUNT
31	135771	2	ADAPTER,GREASE,90°
32	1350871	2	CYLINDER PIN, HEADER LIFT
33	123.008	6	NUT,HX,FL,CL10 M8
34	155.016.060	4	STUD,DBL-END,CL10.9 M16X60,
35	128.016	4	NUT,HX,FL,STV,CL10 M16X2.
36	1351031	6	BUSHING, CYLINDER PIN
37	138011	2	ZERK,STR, 1/4-28MTAPER
38	1008.08	2	SWV,NUT,RUN -8ORFS
39	121.020.280	6	BOLT,HX,CL, 10.9 M20 X 280
40	121.020.070	2	BOLT,HX,CL10.9 M20X70
41	121.020.120	4	BOLT,HX,CL10.9 M20X120
42	140471	3	ZERK, 90°,1/4-28MTAPER,LINCOLN
43	138651	1	SNAP RING 4 INCHES

Model CS9030 Hillco Leveling System
For Serial Numbers CS9030-20001 thru CS9030-20999



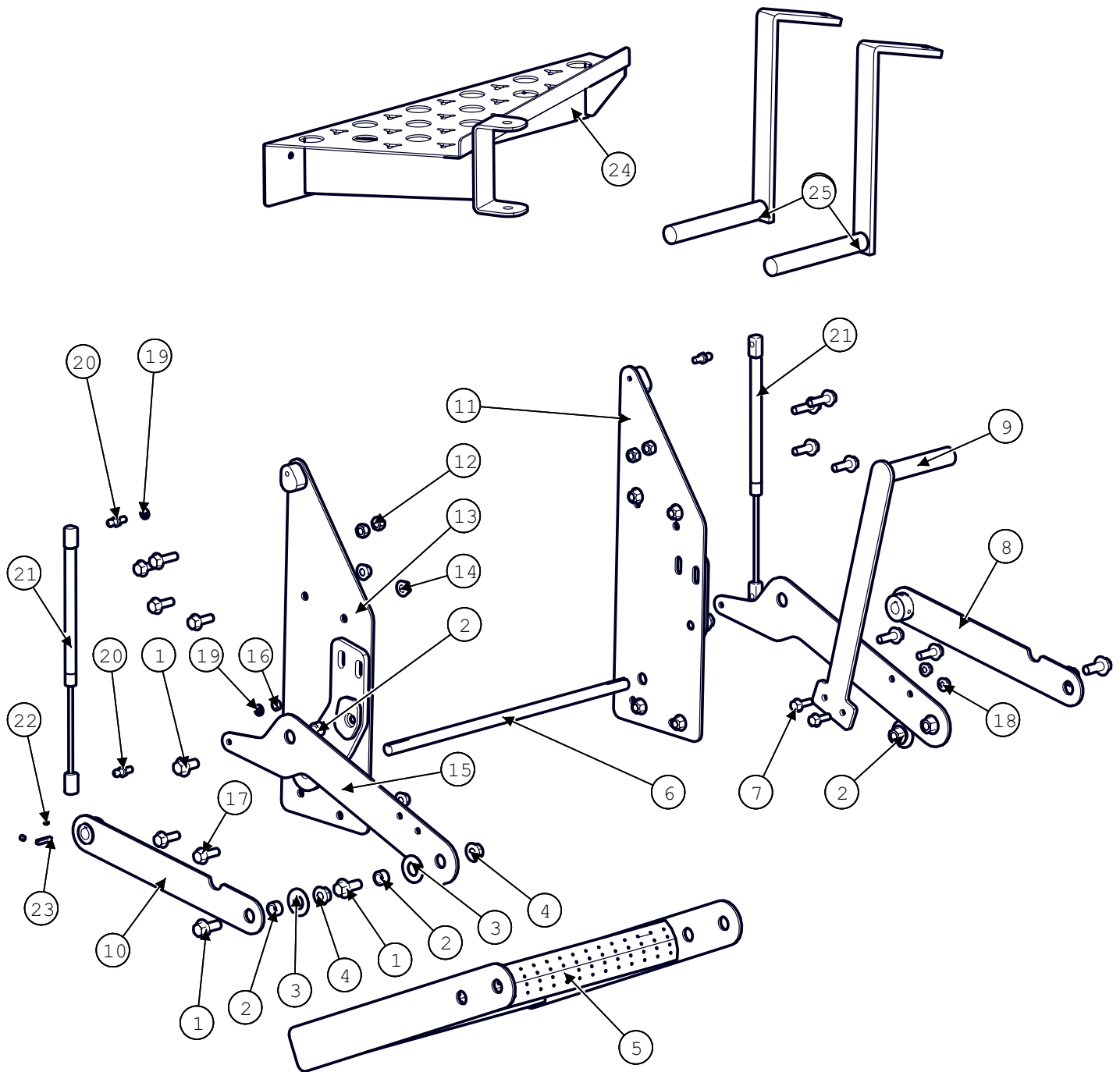
Undercarriage			
BOM ID	Description	Qty	Description
1	1350851	1	PIVOT PIN, MAIN
2	122.012.025	2	BOLT,HX,FL,CL10.9 M12X25
3	1351031	2	BUSHING, CYLINDER PIN
4	1350891	2	CYLINDER PIN, LEVELING
5	138011	2	ZERK,STR, 1/4-28MTAPER
6	1290142	1	CYLINDER STOP
7	146.004.048	1	3IN SPRING CLIP
8	1355111	1	UNDERCARRIAGE
9	1251461	2	BOLT COVER, FINAL
10	123.008	4	NUT,HX,FL,CL10 M8
11	138651	1	SNAP RING 4 INCHES
12	1247961	2	PIVOT
13	138641	4	WASHER 4.016ID X 4.764OD X.048
14	1229085	1	FLANGE, CYLINDER PIN
15	240.016	1	RING,RETAINING,SPIRAL,EXT 1"
16	142.004.016	1	PIN, COTTER 1/4" X 1"
17	135881	1	ADAPTER,GREASE,STR
18	121.020.090	16	BOLT,HX,CL10.9 M20X90
19	133.010	4	WASHER, FLT L9,HD 5/8
20	121.016.050	4	BOLT,HX,CL10.9 M16 X 50

Carriage Position Sensor



CARRIAGE POSITION SENSOR			
REF.	PART NO.	QTY.	PART NAME
1	170.004.035	2	BOLT, HX,CL8.8
2	151381	1	SENSOR, ROTATION,
3	151391	1	O-RING, 11/16ID
4	151401	1	SENSOR SHAFT,
5	122.008.020	2	M8X20
6	201.006.036	1	PIN,ROLL M6X36
7	122.006.025	2	M6X25
8	151371	1	ARM, TILT SENSOR
9	191.006	2	NUT,HX,NYL,CL8 M6
10	151321	1	BRACKET, SENSOR
11	123.008	2	M8x1.25
12	1346501	1	SENSOR ROD
13	151881	2	ROD END, BALL JOINT,
14	184.004	2	NUT,HX,JAM,GR5 1/4-28
15	1355151	1	SENSOR LINKAGE ASSEMBLY

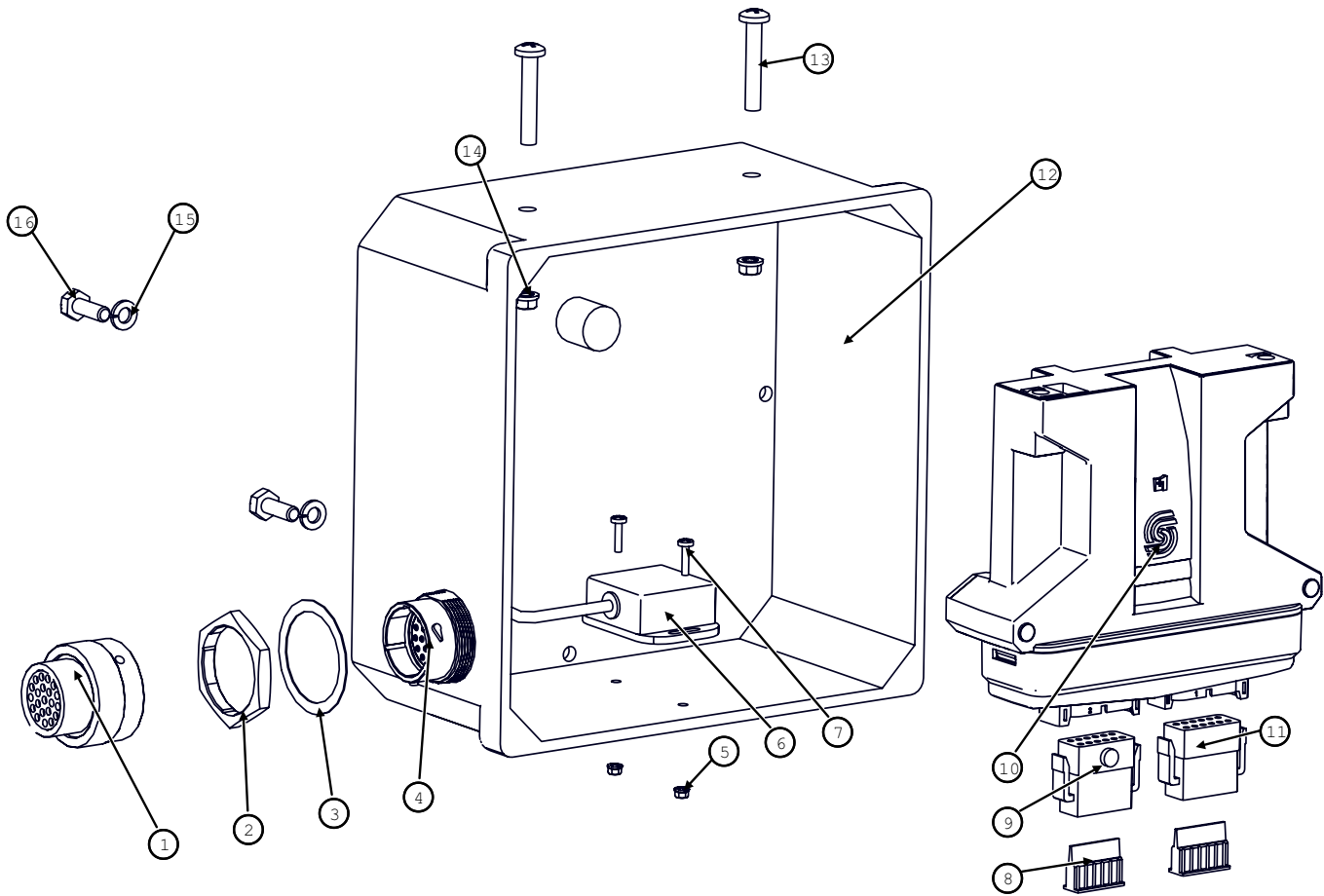
RETRACTABLE LADDER & TOP WEDGE



Model CS9030 Hillco Leveling System
For Serial Numbers CS9030-20001 thru CS9030-20999

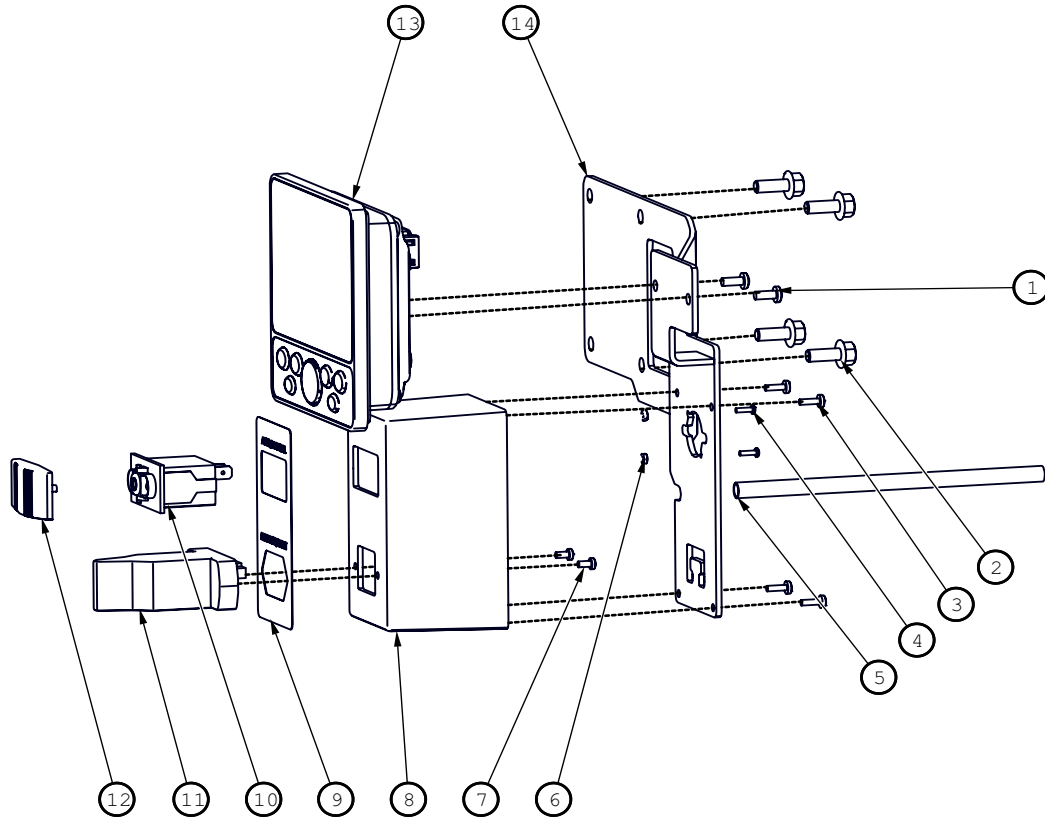
Ladder			
BOM ID	Part No.	Qty	Description
1	122.012.030	6	BOLT,HX,FL,CL10.9 M12X30
2	1299181	6	PIVOT BUSHING
3	153.014.012	4	BUSHING,MACH,WR
4	123.012	4	NUT,HX,FL,CL10 M12
5	1305801	1	STEP, FOLDING LADDER
6	1305861	1	ROCK SHAFT
7	122.008.025	2	BOLT,HX,FL,CL10.9 M8X25
8	1305811	1	LEFT LINK
9	1248861	1	LADDER HANDLE
10	1305821	1	RIGHT LINK
11	1305871	1	LADDER MOUNT, LEFT (-YDG218539)
	1306781		LADDER MOUNT, LEFT (YDG218540-)
12	126.01	4	NUT,HX,STV,CL10 M10
13	1305921	1	LADDER MOUNT, RIGHT (-YDG218539)
	1306791		LADDER MOUNT, RIGHT (YDG218540-)
14	128.01	8	NUT,HX,FL,STV,CL10 M10
15	1305831	2	UPPER ARM
16	174.005	2	NUT,HX,JAM,GR5 5/16-18
17	122.010.030	12	BOLT,HX,FL,CL10.9 M10X3
18	123.008	2	NUT,HX,FL,CL10 M8
19	136.005	4	WASHER,LCK,MED-SPLIT 5/16
20	134931	4	BRACKET, LIFT SUPPORT
21	139251	2	LIFT SUPPORT, GAS CHARGED,
22	166.004.004	4	SCREW,SKT,SET 1/4-28X1/4
23	10049.03.00016	2	SQ,1018,CD 3/16X1
24	1253901	1	LADDER WEDGE (-YDG218539)
	1307451	1	LADDER WEDGE (YDG218540-)
25	1251802	2	STEP SUPPORT, RIGHT

LEVELING BOX



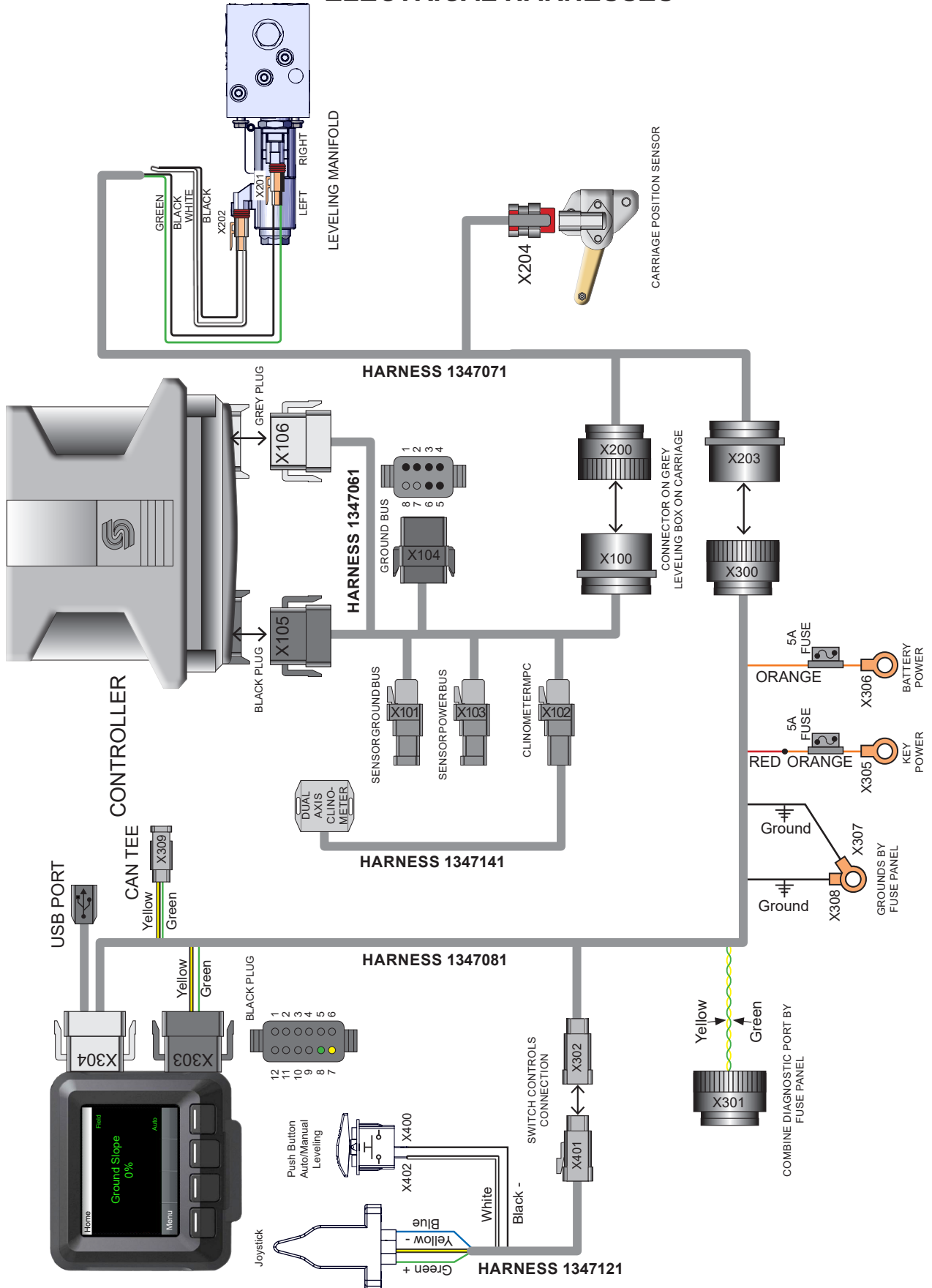
Leveling Box			
BOM ID	Part No.	Qty	Description
1	155789	1	PLUG, DEUTSCH, 21 POS
2	155792	1	PANEL NUT, PLASTIC, DEUTSCH
3	155791	1	LOCK WASHER, PANEL, DEUTSCH
4	155790	1	RECEPTACLE, DEUTSCH, 21POS
5	119.#06	2	NUT,HX,FL,SERR 6-32
6	1347142	1	CLINOMETER, DUAL AXIS
7	114.#06.008	2	SCREW,PHM,CH 6-32X1/2
8	141741	2	WEDGE,12-SOCKET,
9	141761	1	PLUG,12-SOCKET,
10	155713	1	CONTROLLER, PROGRAM 1346642
11	141751	1	PLUG,12-SOCKET,A-KEY
12	1346521	1	CONTROLLER BOX
13	114.004.024	2	SCREW,PHM,CH,SERR
14	119.004	2	NUT,HX,FL,SERR 1/4-20
15	136.004	3	WASHER,LCK,MED-SPLIT 1/4
16	101.004.012	3	BOLT,HX,GR5 1/4-20X3/4

MONITOR & REMOTE SWITCHES

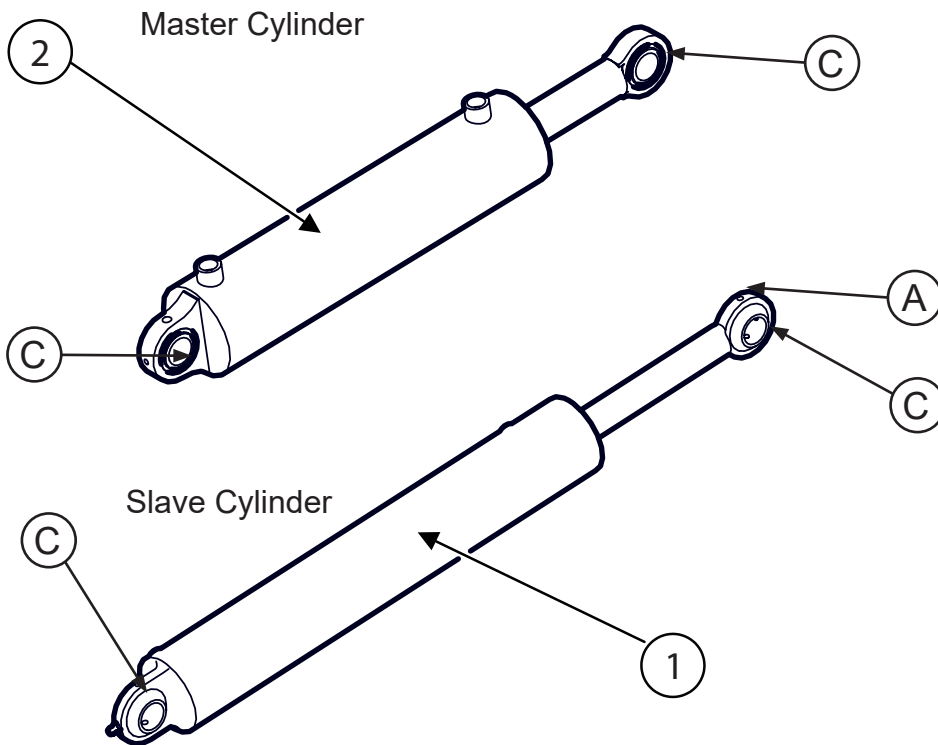
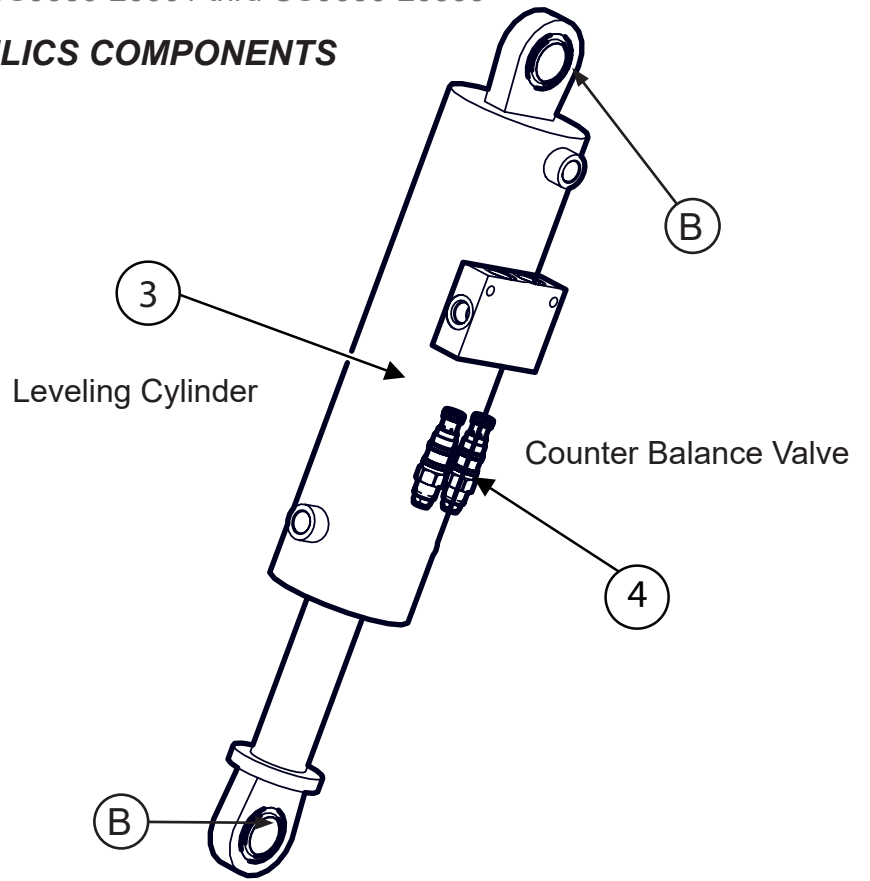


Monitor & Remote Switches			
BOM ID	Description	Qty	Description
1	171.004.010	2	SCREW, PHM, CH M4 X 10
2	122.006.016	4	BOLT, HX, FL, CL10.9 M6X16
3	114.#06.006	4	SCREW,PHM,CH 6-32X3/8
4	114.#02.005	2	SCREW,PHM, CH, #2-56 X 5/16
5	1347122	1	SWITCH BOX
6	168.#02	2	NUT, HX, 2-56
7	171.003	2	SCREW,PHM,CH M3
8	155265	1	SWITCH BOX
9	155796	1	DECAL, SWITCH BOX, LEVELING SYSTEM
10	155785	1	SWITCH, SPST MOMENTARY
11	155784	1	JOYSTICK, SINGLE AXIS
12	EC-149581	1	CONTURA BLACK ACTUATOR WAYTEK
13	156038	1	DISPLAY, COLOR, DANFOSS, DM430E-1-0-1-
14	1347034	1	MOUNT PLATE, SWITCH BOX
15	1368591	1	DISPLAY MOUNT, DANFOSS

ELECTRICAL HARNESSES



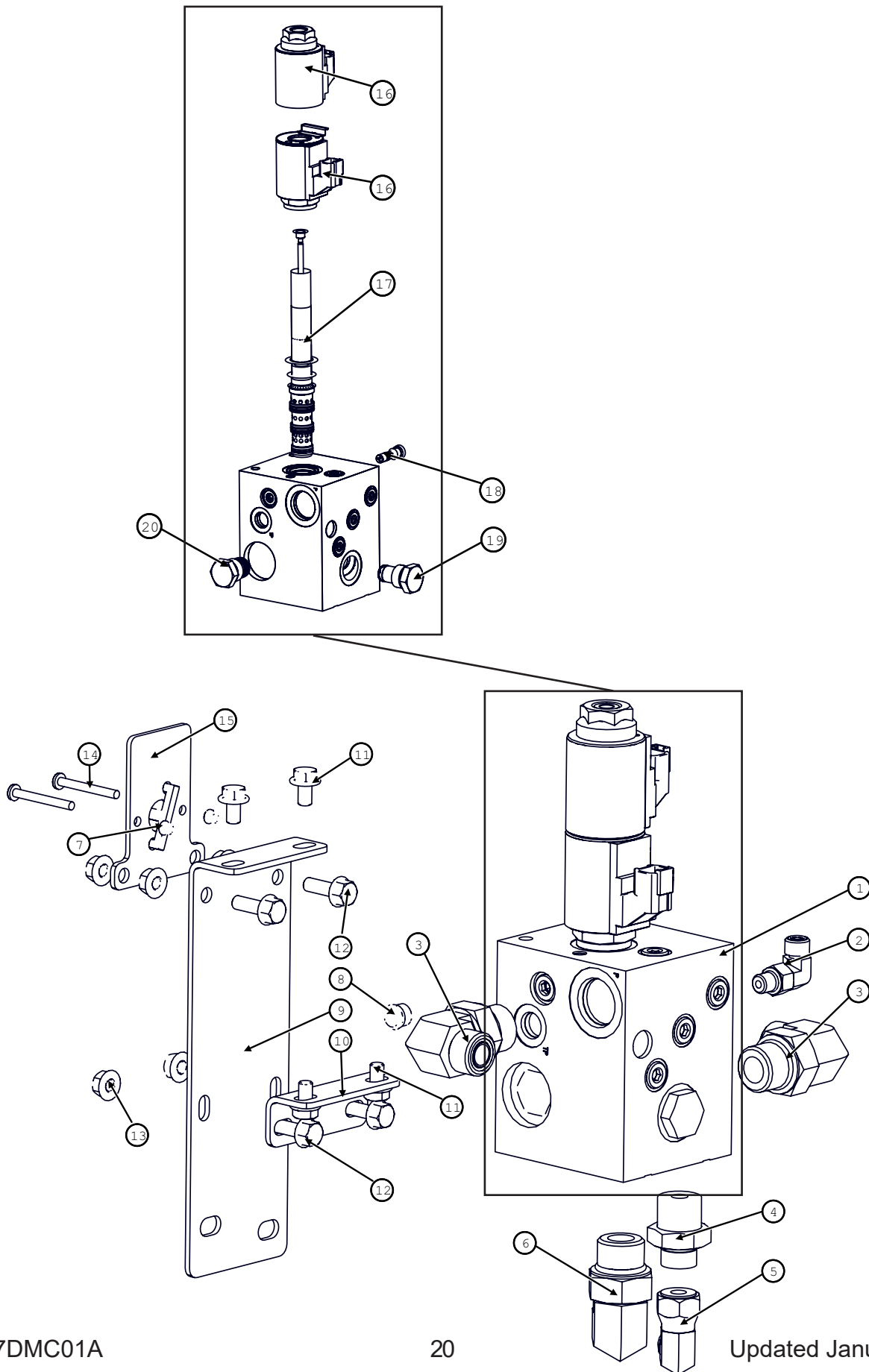
HYDRAULICS COMPONENTS



Model CS9030 Hillco Leveling System
For Serial Numbers CS9030-20001 thru CS9030-20999

COUNTERBALANCE VALVE AND CYLINDERS				
REF.	PART NO.	QTY.	PART NAME	NOTES
1	138582	1	SLAVE CYL, 1-1/8" R, 12-1/2" S, 2-1/2 B, 21" CPC	
NS	HC-134191	1	SEAL KIT, SLAVE CYLINDER	
2	147501	1	CYLINDER, MASTER	
NS	HC-134201	1	SEAL KIT, MASTER CYLINDER	
3	155856	2	CYLINDER, MAIN	
NS	155954	2	SEAL KIT, MAIN CYLINDER	
4	155593	4	CARTRIDGE, COUNTERBALANCE VALVE	
NS	HC-140361	4	SEAL KIT, COUNTERBALANCE VALVE	TWO SEAL KITS REQUIRED PER COUNTERBALANCE VALVE
HYDRAULIC FASTENERS				
REF.	PART NO.	QTY.	PART NAME	WHERE USED
A	F-SSS-04F04	6	SET SCREW, 1/4-28 X 1/4	ALL CYLINDERS
B	MC-150881	4	1 3/8" BEARING, SEALED SPHERICAL	
C	MC-150871	4	1" BEARING, SEALED SPHERICAL	

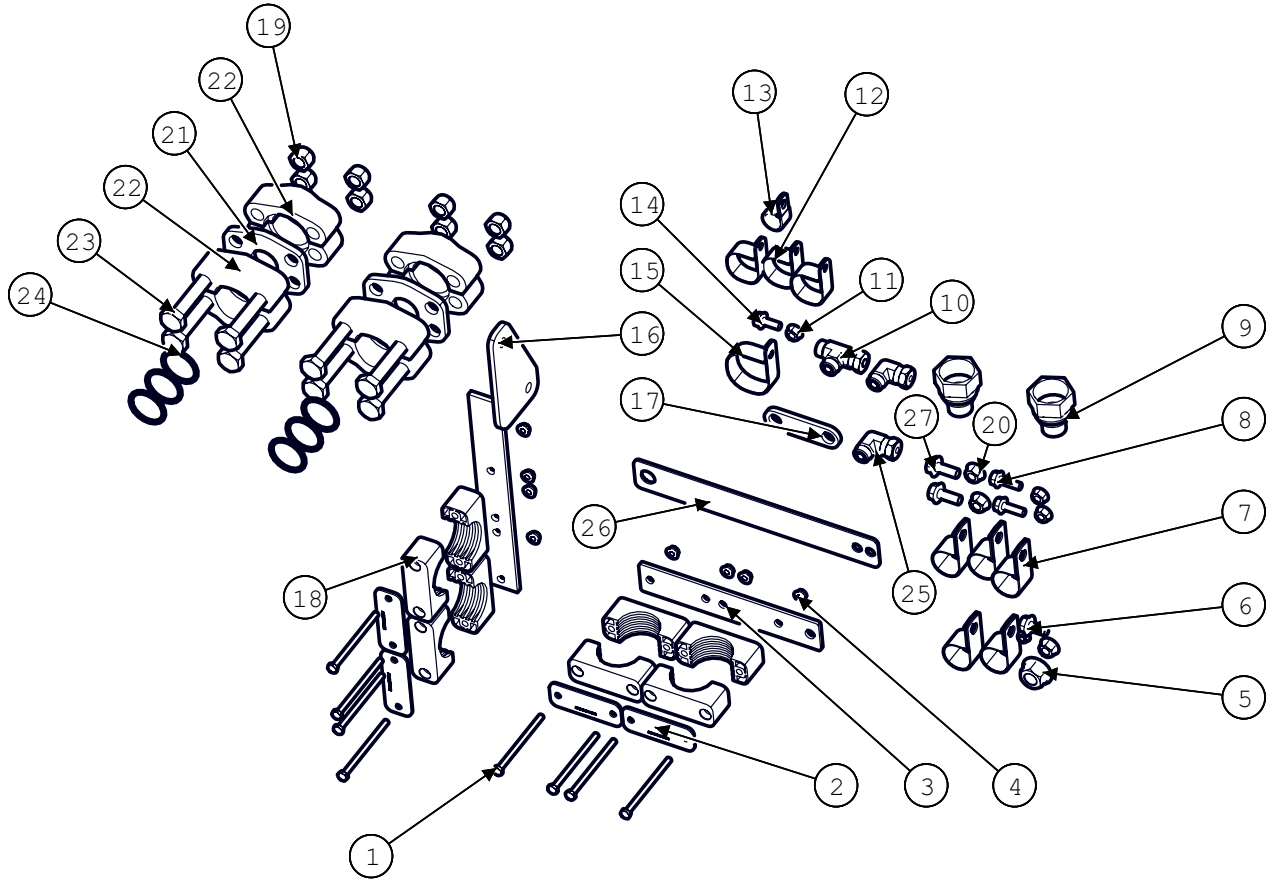
LEVELING MANIFOLD



Model CS9030 Hillco Leveling System
For Serial Numbers CS9030-20001 thru CS9030-20999

LEVELING MANIFOLD			
BOM ID	Part No.	Qty	Description
1	1343021	1	HIGH-FLOW (COMATROL P/N11191146)
2	1003.04.04	1	HA,90°
3	1003.12.10	2	HA,90°
4	1001.12.08	1	HA,STR
5	1006.08.08	1	-8FORFS X -8MORFS
6	1003.12.08	1	HA,90° -12MORB X -8MORFS
7	119.#10	2	NUT,HX,FL,SERR 10-24
8	1019.06	1	HA,PLUG,SKT,HD
9	1313221	1	MANIFOLD MOUNT, BASE
10	1313231	1	MANIFOLD MOUNT, BASE
11	111.005.008	4	BOLT,HX,FL,GR5 5/16-18X1/2
12	122.008.025	4	M8X25
13	123.008	6	M8x1.25
14	114.#10.028	2	SCREW,PHM,CH 10-24X1-3/4
15	1259951	1	MOUNT, TILT SENSOR
16	155854	2	SOLENOID COIL,M19,PROP,DEUTSCH
17	155855	1	CARTRIDGE VALVE,3 POS,4 WAY, PROP, 16GPM
18	155236	1	CHECK VALVE, REVERSE DIRECTION
19	155238	1	CAVITY PLUG, 2 WAY, 10 SERIES
20	155234	1	CAVITY PLUG, 3 WAY, 10 SERIES

HYDRO HOSES ACCESSORIES



Model CS9030 Hillco Leveling System
For Serial Numbers CS9030-20001 thru CS9030-20999

Hydro Hose Accessories			
BOM ID	Part No.	Qty	Description
1	170.006.090	8	BOLT,HX,CL8.8 M6X90
2	140651	4	COVER PLATE
3	1251862	1	HYDROHOSE SUPPORT
4	123.006	9	NUT,HX,FL,CL10 M6
5	123.016	1	NUT,HX,FL,CL10 M16
6	122.010.020	1	BOLT,HX,FL,CL10.9 M10X20
7	143601	5	CLAMP, HOSE 1-1/8"
8	122.008.025	2	BOLT,HX,FL,CL10.9 M8X25
9	1004.16.10	2	HA,STR
10	1008.06	1	SWIVEL NUT, RUN, -6ORFS
11	123.008	3	NUT,HX,FL,CL10 M8
12	135631	3	CLAMP, 1-1/2" R/C W 3/8
13	135791	1	CLAMP, HOSE
14	122.008.020	1	BOLT,HX,FL,CL10.9 M8X20
15	135781	1	CLAMP, HOSE 2 R/C W/3/8 HOLE
16	1251832	1	HOSE BRACKET, HYDRO
17	1275651	1	HYDROHOSE SPREADER
18	140641	4	CLAMP, 2" BEHRINGER
19	126.014	8	NUT,HX,STV,CL10 M14
20	123.010	3	NUT,HX,FL,CL10 M10
21	1272161	2	UNION, CODE 62, 1-1/4"
22	147611	8	FLANGE, CODE 62, -20
23	121.014.090	8	BOLT,HX,CL10.9 M14X90
24	147621	6	O-RING, CODE 62
25	1006.06.06	2	-6FORFS X -6MORFS
26	1285102	1	HYDROHOSE PULL
27	122.010.025	2	BOLT,HX,FL,CL10.9 M10X25

Model CS9030 Hillco Leveling System
For Serial Numbers CS9030-20001 thru CS9030-20999

HYDRAULIC HOSES

Hydraulic Hoses				
BOM ID	Description	Qty	Description	Where Used
ns	1154131	1	HH ASM,100R16-10 18"	BOTTOM TEE TO "T" PORT ON LEVELING MANIFOLD
ns	1325061	1	100R17AR-08 9";	EXTENDS CASE DRAIN HOSE ON LEFT RWA MOTOR
ns	1352291	1	100R17AR-08X79-1/2";-08FF90° D29MMx-08FF90° D29MM	LEFT CYLINDER RETRACT PORT TO RIGHT CYLINDER EXTEND PORT
ns	1352301	1	100R17AR-08X79-1/2";-08FF STRx-08FF90° D29MM	LEFT CYLINDER EXTEND PORT TO RIGHT CYLINDER RETRACT PORT
ns	1352311	1	HLB-02X28"; -02MP STR SWVL x 1/8-27 NPSM STR	MASTER CYLINDER BASE TO RIGHT GREASE BULKHEAD
ns	1352321	1	HLB-02X66"; -02MP STR SWVL x 1/8-27 NPSM STR	MASTER CYLINDER ROD TO RIGHT GREASE BULKHEAD
ns	1352331	1	HLB-02X44"; -02MP STR SWVL x 1/8-27 NPSM STR	MAIN PIVOT PIN TO LEFT GREASE BULKHEAD
ns	1352591	1	100R17AR-16X99"; -20 FORFS STR X -16 MORFS STR	HYDRO MOTOR CASE DRAIN
ns	1352601	1	100R17AR-10 X 19";	LEVELING VALVE PRESSURE PORT TO TOP TEE
ns	1352611	1	100R17AR-4X24"; -4 FORFS STR X -6 FORFS 90 D23MM	LOAD SENSE TO MANIFOLD
ns	1352621	1	100R17AR-6X53"; -8FORFS STR X -8FORFS 90° D29MM	LEFT BRAKE HOSE
ns	1352631	1	100R17AR-6X51"; -8 FORFS 90° D29MM X -8 MORFS STR	RIGHT BRAKE HOSE
ns	1352661	1	100R17AR-6X63"; -8FORFS STR X -8FORFS 90° D29MM	DIFFERENTIAL LOCK
ns	1352671	1	100R17AR-6X63"; -8MORFS STR X -6FORFS 90° D29MM	PARK BRAKE HOSE
ns	1352681	1	100R17AR-8X169"; -8FORFS STR X -8 FORFS 45°	LEVELING VALVE "A" PORT TO RIGHT CYLINDER BASE PORT
ns	1352691	1	100R17AR-8X114"; -8FORFS STR X -8 FORFS 45°	LEVELING VALVE "B" PORT TO LEFT CYLINDER BASE PORT
ns	1352701	1	100R17AR-4X108"; -6FORFS STR X -6FORFS 90° D23MM	TERRAIN TRACTOR ROD PORT TO MASTER CYLINDER ROD
ns	1352711	1	100R17AR-4X116"; -6FORFS STR X -6FORFS 90° D23MM	TERRAIN TRACTOR HEAD PORT TO MASTER CYLINDER BASE
ns	1352721	1	100R17AR-4X119"; -6FORFS STR X -6FORFS STR	MASTER CYLINDER BASE TO SLAVE CYLINDER BASE
ns	1352731	1	100R17AR-4X143"; -6FORFS STR X -6FORFS STR	MASTER CYLINDER ROD TO SLAVE CYLINDER ROD
ns	1352741	2	100R17AR-10X30"; -10 FORFS 45° X -12 MORFS STR	HEADER LIFT PRESSURE HOSE
ns	1352751	2	100R17AR-8X29"; -10 FORFS STR X -8 FORFS 45°	HEADER LIFT CYLINDER RETURN
ns	1357101	1	797TC-20X79"; -20 CODE 62 STR X -20 CODE 62 90° D90MM	TOP HYDRO HOSE EXTENSION
ns	1357111	1	797TC-20X81"; -20 CODE 62 STR X -20 CODE 62 90° D140MM	BOTTOM HYDRO HOSE EXTENSION

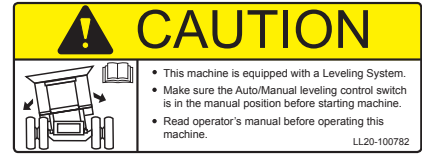
MISCELLANEOUS



1) 133741



2) 151051



3) LL20-100782



4) LL20-100783



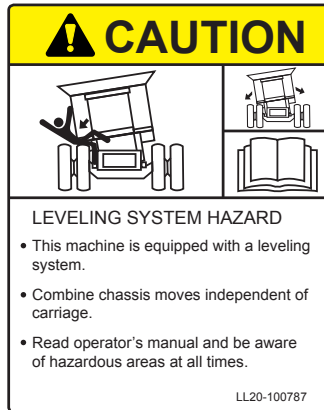
5) LL20-100784



6) LL20-100785



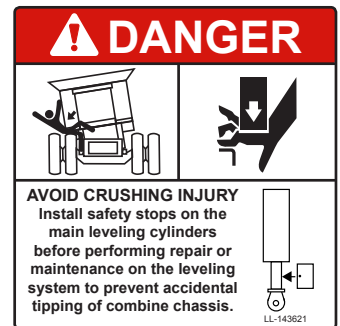
7) LL20-100786



8) LL20-100787



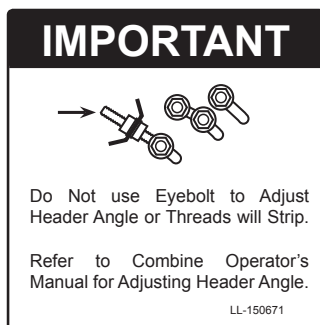
9) LL20-100788



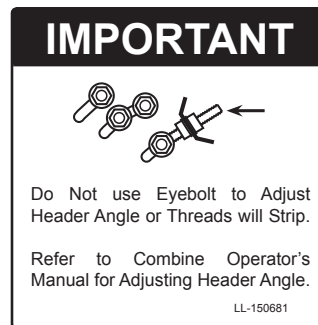
10) LL-143621



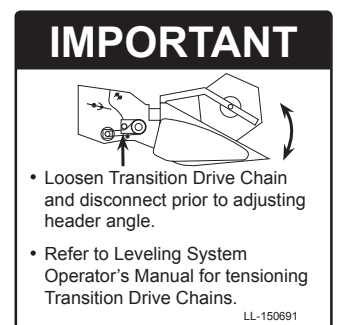
11) LL-141012



12) LL-150571



13) LL-150581



14) LL-150591

Model CS9030 Hillco Leveling System
For Serial Numbers CS9030-20001 thru CS9030-20999

DOCUMENTS AND LABELS				
REF.	PART NO.	QTY.	PART NAME	NOTES
1	LL-133741	2	LABEL, GREASE 50 HR	RH AND LH MAIN LEV CYL BOTTOM
1	LL-133741	1	LABEL, GREASE 50 HRS	BY BASE END OF SLAVE CYLINDER
1	LL-133741	2	LABEL, GREASE 50 HRS	REAR FACE 12" ON BOTH SIDES OF PIVOT PIN
1	LL-133741	2	LABEL, GREASE 50 HRS	RH AND LH BULKHEAD MOUNT
2	151051	2	DECAL, CASE SIDEHILL LEVELING SYSTEM	SIDE PANELS ON COMBINE
3	LL20-100782	1	CAUTION LEVELING SYSTEM CAB	WINDOW IN CAB
4	LL20-100783	2	DANGER, CRUSHING HAZARD	FRONT UC LEFT & RIGHT
4	LL20-100783	2	DANGER CRUSHING HAZARD	SIDE OF COMBINE ABOVE REAR TIRES
5	LL20-100784	2	DANGER PINCH POINT	RH & LH UPPER TRANS FACE PLT
6	LL20-100785	1	CAUTION MOVING STEP	COMBINE LADDER CHANNEL
7	LL20-100786	1	WARNING, ELECTRONIC CRUSHING HAZARD	FRONT OF CONTROL BOX
8	LL20-100787	2	CAUTION LEVELING SYSTEM HAZARD	CLEAN GRAIN ELEVATOR (RH); SCREEN (LH)
9	LL20-100788	3	DANGER HYDRAULIC HAZARD	1- EA MAIN CYLINDER
9	LL20-100788	1	DANGER HYDRAULIC HAZARD	ABOVE HYDRAULIC MANIFOLD
10	LL-143621	2	DANGER, AVOID CRUSHING INJURY	REAR OF UC NEAR THE SAFETY STOP MNTS
11	LL-141012	2	DECAL, ROCK TRAP WARNING	BY ROCK TRAP HANDLE AND ON SHIELD ABOVE HANDLE
12	LL-150671	1	LABEL, EYEBOLT LEFT	BELOW LEFT EYEBOLT MOUNT
13	LL-150681	1	LABEL, EYEBOLT RIGHT	BELOW RIGHT EYEBOLT MOUNT
14	LL-150691	1	LABEL, HEADER ANGLE	ON RH SIDE TT ASM NEAR TOP ADJ BOLTS
NS	EC-150131	1	DECAL, REMOTE SWITCH BOX	
NS	LL-141011	2	DECAL, ROCK TRAP WARNING	BY ROCK TRAP HANDLE AND ON SHIELD ABOVE HANDLE
NS	LL-239412	1	LABEL, STEERING WHEEL	TIED TO STEERING WHEEL DURING INSTALLATION
NS	LA-255951	1	PLATE, SERIAL NUMBER	LEFT REAR OF UNDERCARRIAGE
NS	D-180913CMA01A	1	CH9030 OPERATORS MANUAL	SN 20001-20999

Model CS9030 Hillco Leveling System
For Serial Numbers CS9030-20001 thru CS9030-20999

Hillco Technologies, Inc.
107 1st Avenue
Nezperce, Idaho 83543

Phone	800-937-2461
	208-937-2461
Fax	208-937-2280

www.hillcotechnologies.com
email: support@hillcotechnologies.com