

Model CH9030 Hillco Leveling System
For Serial Numbers CH9030-22001 thru CH9030-22999



Model CH9030 Hillside Leveling System Parts Manual

SN CH9030-22001 thru CH9030-22999
For Case-IH 7250, 8250, and 9250
Combines

D-200107DMC01A



CH9030 Hillside Leveling System

For Case-IH 7250, 8250, and 9250 Combines

Table of Contents

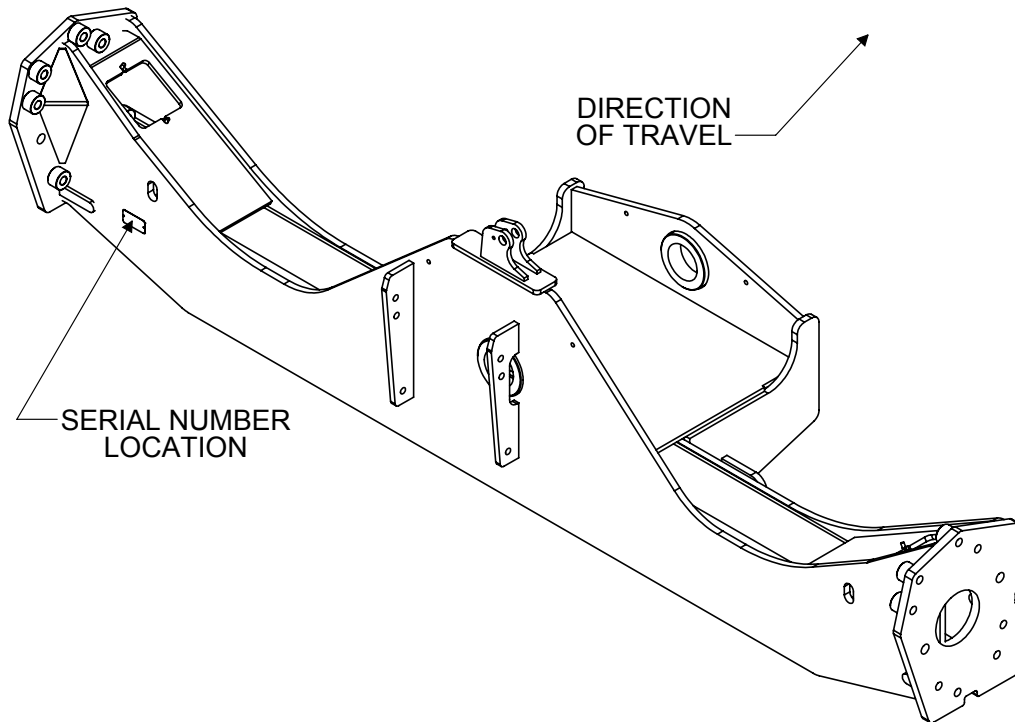
General Information.....	3
Serial Number Location	3
Text and Illustrations	3
Abbreviations	3
Right and left Identification	3
Part Orders	3
TRANSITION.....	4
Beater Transition	5-13
Beaterless Transition	14-18
WHEELS.....	19
CARRIAGE.....	20
Overcarriage	20
Undercarriage	22
Carriage Position Sensor	23
DROP AXLE.....	24
LADDER.....	25
ELECTRICAL.....	27
Leveling Box	27
Monitor & Remote Switches	28
Electrical Harnesses	29
HYDRAULICS COMPONENTS.....	30
Leveling Manifold	32
Hydro Hose Accessories	34
Hydraulic Hoses	36
MISCELLANEOUS.....	37

Contact Information

Hillco Technologies, Inc.	Phone	800-937-2461
107 1st Avenue		208-937-2461
Nezperce, Idaho 83543	Fax	208-937-2280
www.hillcotechnologies.com email: support@hillcotechnologies.com		

GENERAL INFORMATION

SERIAL NUMBER LOCATION



TEXT AND ILLUSTRATIONS

The arrangement of this parts catalog is for easy identification of parts. All parts are illustrated in exploded views in proper relation to each other. Some diagrams refer to other pages for further information. Reference numbers used in the illustrations refer to line numbers in the part lists. The part lists appear to the right or below all diagrams and correspond with those diagrams. Included in the part lists, along with the reference numbers are part numbers, part descriptions and the quantity of the part required per leveling system.

ABBREVIATIONS

SN “Serial Number” refers to the serial number given to each leveling system (by Hillco Technologies), as well as the serial number given to the combine (by the specific combine manufacturer) the leveling system is installed. See above for the leveling system’s serial number location. This abbreviation is used interchangeably in both instances. Each Model CH9020 Leveling System uses the following serial number format: CH9020-XXXXX (sequential numbers).

ASM “Assembly” refers to a whole grouping of parts (shown in the diagram corresponding with the page where “ASM” is shown unless otherwise noted). Some assemblies have parts that are sold separately, however some must be purchased as a single unit. Hillco Product Specialists will be able to assist you with any questions.

NS “Not Shown” refers to a part that is not depicted in the illustration.

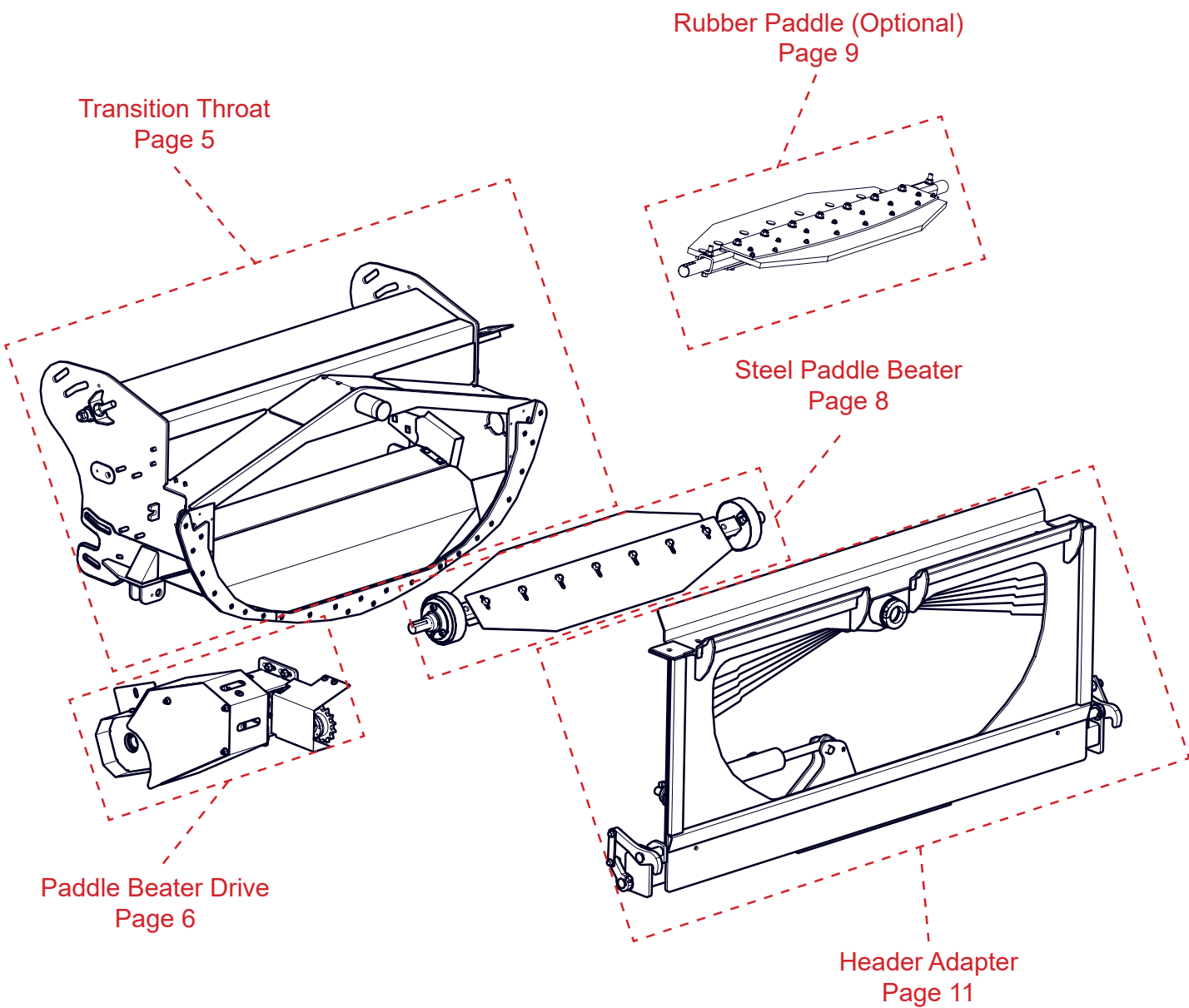
RIGHT AND LEFT IDENTIFICATION

The reference to right-hand and left-hand in this catalog is identified by the operator sitting in the operator’s seat, looking toward the front of the machine (in normal forward travel).

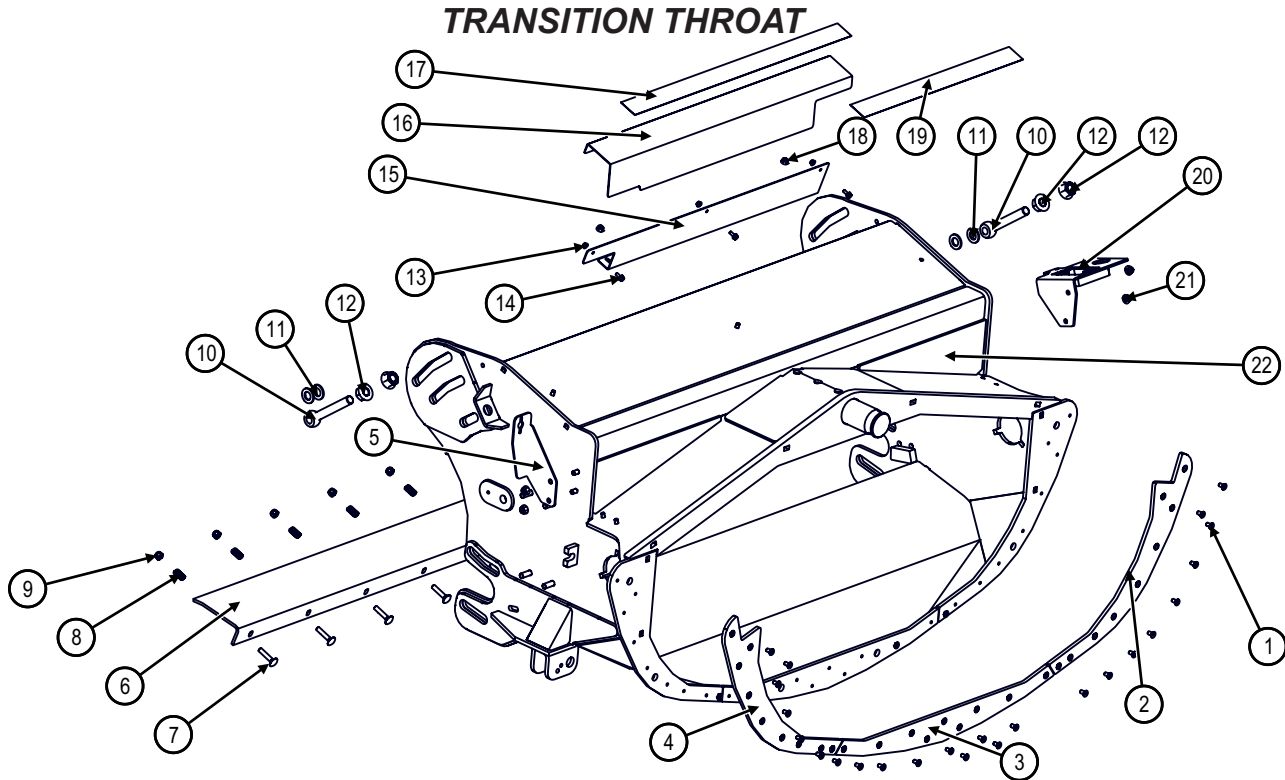
PART ORDERS

Orders must specify product model, serial number, correct part number, complete description, quantity required, method of shipment, shipping address, and billing address.

TRANSITION



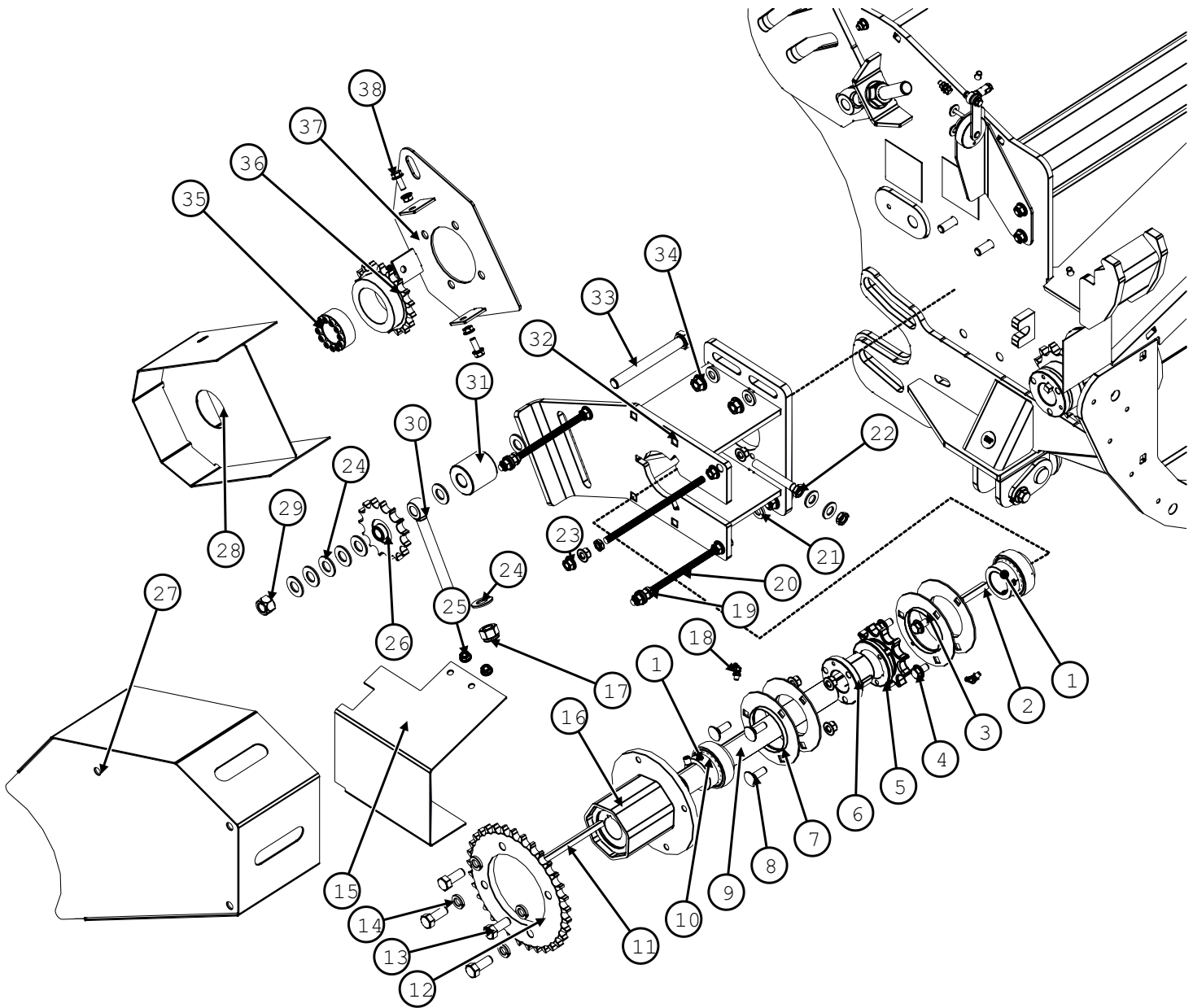
Model CH9030 Hillco Leveling System
 For Serial Numbers CH9030-22001 thru CH9030-22999



Transition Throat			
BOM ID	Part No.	Qty	Description
1	164.008.016	27	SCREW, FHSC, CL10.9 M8X16
2	1255194	1	WEAR PLATE,LEFT
3	1255184	1	WEAR PLATE, BOTTOM
4	1255204	1	WEAR PLATE,RHT
5	1334062	1	SENSOR MOUNT,
6	1351411	1	FLOOR PLATE, FLEX
7	163.010	7	M10x50
8	143591	7	.125WIREx1.09Lx.703OD
9	191.010	7	NUT,HX,NYL, CL8 M10
10	169.020.150	2	BOLT,EYE M20X150
11	133.012	4	WASHER, FLT L9,HD 3/4
12	123.02	4	M20x2.5
13	123.006	3	M6 X 1.0
14	122.006.016	3	BOLT, HX, FL, CL10.9 M6X16
15	1356931	1	SHIELD, SENSOR ROD, REAR
16	1356941	1	SHIELD, SENSOR ROD, FRONT
17	10262.32.00480	1	#610,BLK 2"X30"
18	123.008	2	M8x1.25
19	10262.32.00352	1	#610,BLK 2"X22"
20	1351221	1	HYDRAULIC COUPLER
21	123.010	4	M10 x 1.5
22	1351191	1	THROAT

Model CH9030 Hillco Leveling System
For Serial Numbers CH9030-22001 thru CH9030-22999

PADDLE BEATER DRIVE

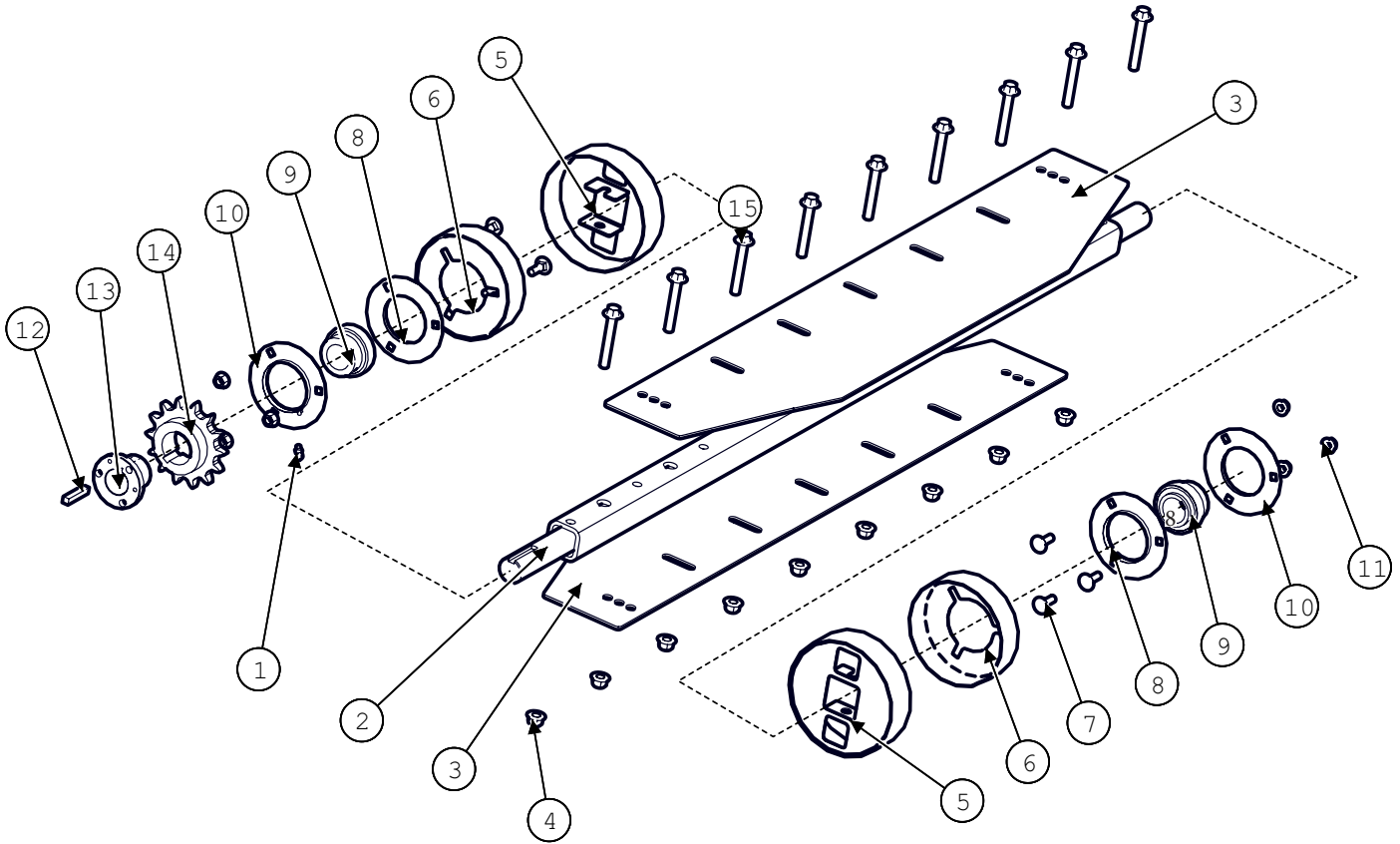


Model CH9030 Hillco Leveling System
For Serial Numbers CH9030-22001 thru CH9030-22999

Paddle Beater Drive			
BOM ID	Part No.	Qty	SW Configuration
1	153861	2	INSERT, BEARING, 1-7/16",
2	10049.06.00032	1	SQ,1018,CD 3/8X2
3	153551	2	FLANGETTE, GREASABLE, 3-BOLT
4	122.010.016	3	BOLT,HX,FL,CL10.9 M10X16
5	135491	1	SPROCKET, TAPER BORE, 80P, 11T
6	135511	1	HUB, SPLIT TAPER, 1-7/16" BORE
7	153541	2	3-BOLT, 72MM, INNER
8	163.010.030	3	BOLT,CARR,CL8.8 M10X30
9	10040.23.00202	1	RND 1144 G&P 1-7/16 X 12.625
10	158.006.008	2	SCREW,SKT,SET 3/8-16X1/2
11	10049.05.00080	1	SQ,1018,CD 5/16X5
12	1226532	1	SPROCKET, SLIP CLUTCH
13	167.008.020	4	BOLT,HX,GR8 1/2-20X1-1/4
14	139.008	4	WASHER,LCK,HVY-SPLIT 1/2
15	1293461	1	CHAIN SHIELD, 80P
16	150071	1	SLIP CLUTCH
17	F-HN-16ME	1	NUT,HX,NYL,CL10 M16
18	141931	2	ZERK, 45°,1/4-28MTAPER,LINCOLN
19	165.010	3	NUT,HX,JAM,CL8 M10
20	10069.10.00200	3	ALLTHREAD,GRB7 M10X200
21	153.010.008	4	BUSHING,MACH,WR,
22	165.012	2	NUT,HX,JAM,CL8 M12
23	123.010	15	NUT,HX,FL,CL10 M10
24	133.010	10	WASHER, FLT L9,HD 5/8
25	123.008	2	NUT,HX,FL,CL10 M8
26	100237.000	1	SPROCKET, IDLER, 60P
27	1305641	1	FRONT SHIELD
28	1305711	1	DRIVE SHIELD,
29	126.016	1	NUT,HX,STV,CL10 M16
30	169.016.150	1	BOLT,EYE M16X150
31	10041.31.00032	1	RND 1018 CD 1-15/16X2
32	1305571	1	MOUNT, JACK SHAFT
33	121.016.140	1	BOLT, HX, CL10.9 M16X140
34	123.012	4	NUT,HX,FL,CL10 M12
35	101838	1	HUB, POWER LOCK, 1-3/8
36	1255211	1	SPROCKET,POWERLOCK
37	1351541	1	DRIVE SHIELD,
38	122.008.020	3	BOLT,HX,FL,CL10.9 M8X20
40	126.008	3	NUT,HX,STV,CL10 M8
41	169.016.150	1	BOLT,EYE M16X150
42	125.016	1	NUT,HX,NYL,CL10 M16
Drive Chains			
NS	10271.073	1	CHAIN,60P,73PITCHES
NS	10066.031	1	CHAIN, 80P, 31PITCHES

Model CH9030 Hillco Leveling System
 For Serial Numbers CH9030-22001 thru CH9030-22999

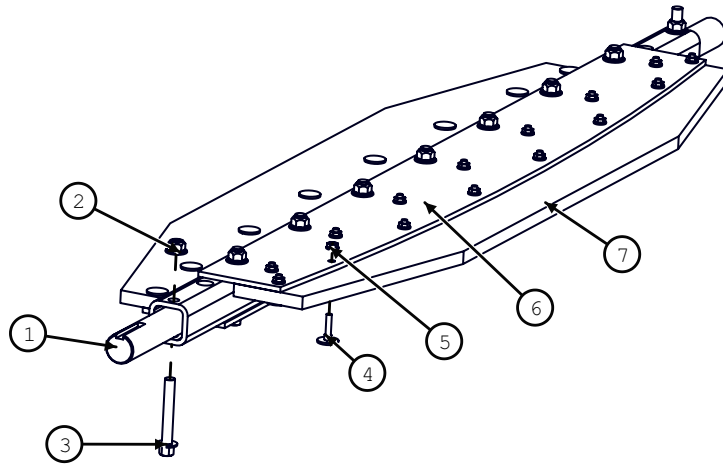
STEEL PADDLE BEATER



Paddle Beater			
BOM ID	Part No.	Qty	Description
1	141931	1	ZERK, 45°,1/4-28M TAPER, LINCOLN
2	1251633	1	BEATER SHAFT
3	1286321	2	PADDLE,METAL,NARROW
4	128.012	9	NUT,HX,FL,STV,CL10 M12
5	1292662	2	BEARING COVER, SHAFT
6	1292671	2	BEARING COVER, WALL
7	163.010.030	6	BOLT,CARR,CL8.8 M10
8	153541	2	FLANGETTE, GREASABLE
9	153861	2	INSERT,BEARING, 1-7/16
10	153551	2	FLANGETTE, GREASABLE
11	123.010	6	NUT,HX,FL,CL10 M10
12	10049.06.00032	1	SQ,1018,CD 3/8X2
13	135511	1	HUB, SPLIT TAPER
14	136151	1	SPROCKET, TAPER BORE
15	122.012.080	9	BOLT,HX,FL,CL10.9 M12X80

Model CH9030 Hillco Leveling System
 For Serial Numbers CH9030-22001 thru CH9030-22999

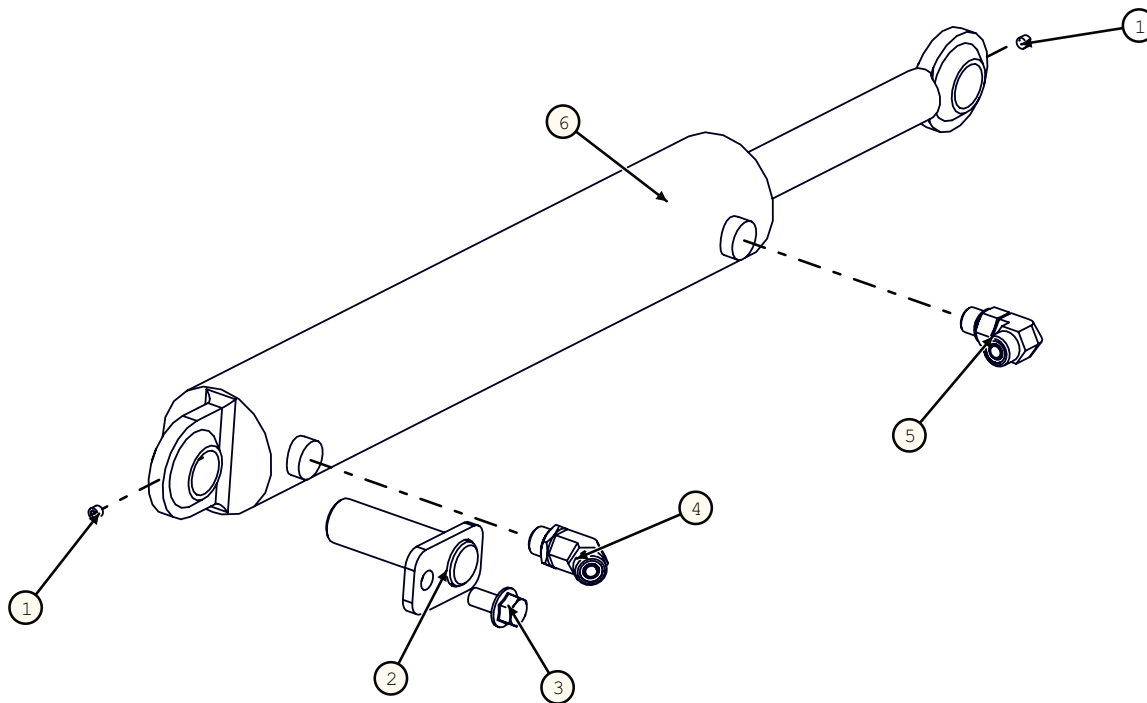
RUBBER PADDLE BEATER



Rubber Paddle Option			
BOM ID	Part No.	Qty	Description
1	1251633	1	TB ASM, SHAFT
2	128.012	9	FLHN-10.9 M12 X 1.75 STVR
3	122.012	9	MM FLHC-10.9 M12 X 1.75 X 80 Plated
4	157.004.020	30	ELEVATOR BOLT
5	119.004	30	FLHN-GR5 1/4-20
6	1272172	2	TB PLATE, PADDLE BACKING
7	1272182	2	TB PADDLE, RUBBER

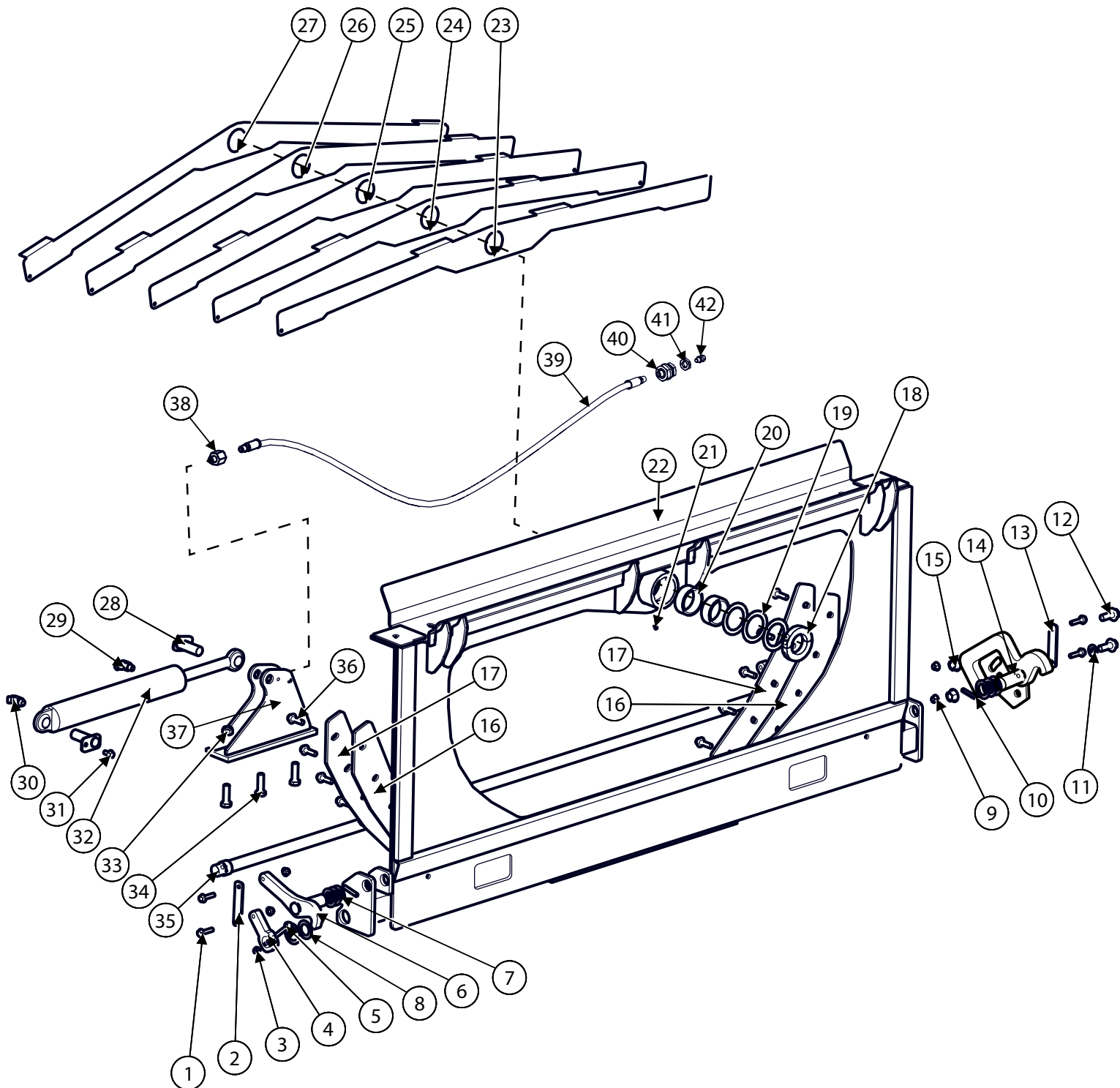
Model CH9030 Hillco Leveling System
 For Serial Numbers CH9030-22001 thru CH9030-22999

SLAVE CYLINDER



SLAVE CYLINDER			
BOM ID	Part No.	Qty	Description
1	141931	1	ZERK,STR, 1/4-28MTAPER
2	1283884	2	CYLINDER PIN,
3	122.012.020	2	BOLT,HX,FL,CL10.9 M12X20
4	1002.06.06	1	ELBOW, 45, -6MORB X -6MORFS
5	1003.06.06	1	ELBOW, 90, -6MORB X -6MORFS
6	147491	1	CYLINDER,SLAVE, 1-1/8"R, 12-1/2"S, 2-
NS	HC-141281	1	SEAL KIT, SLAVE CYLINDER

TRANSITION HEADER ADAPTER

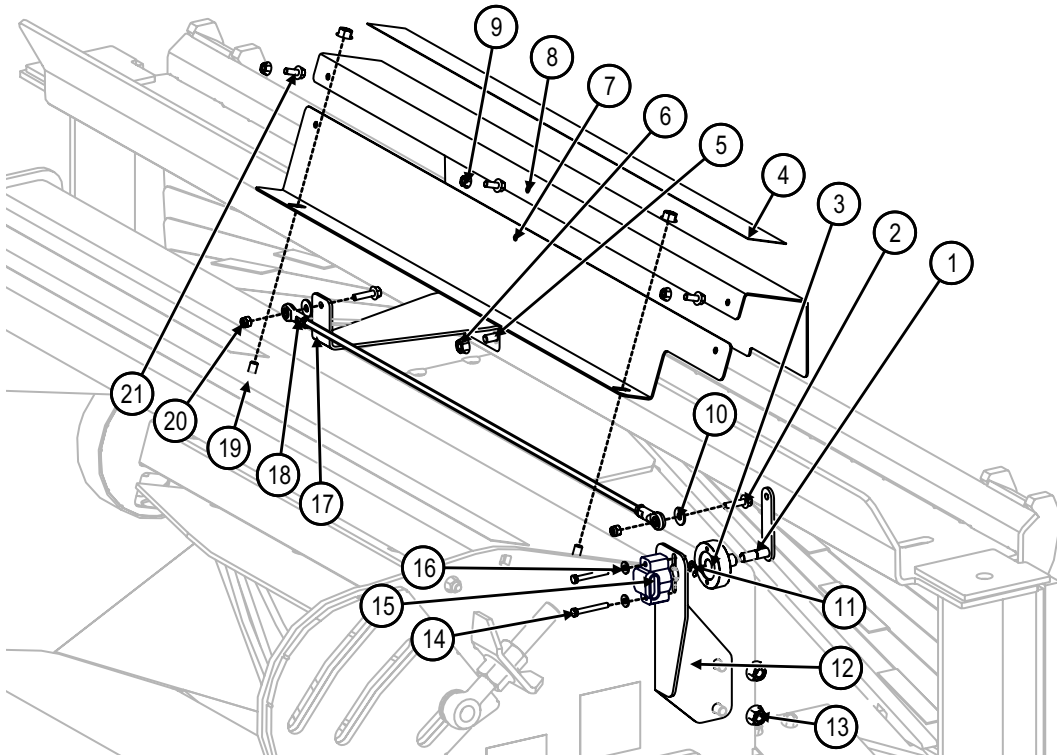


Model CH9030 Hillco Leveling System
For Serial Numbers CH9030-22001 thru CH9030-22999

Header Adapter			
BOM ID	Part No.	Qty	Description
1	122.010.040	4	BOLT,HX,FL,CL10.9 M10X40
2	1270211	1	LINKAGE, HDR LOCK, RHT
3	126.010	1	NUT,HX,STV,CL10 M10
4	1270191	1	PIVOT ARM, LOWER, RHT
5	122.010.060	1	BOLT,HX,FL,CL10.9 M10X60
6	1351481	1	HEADER LOCK, RHT
7	162.018.020	7	BUSHING,MACH
8	162.018.024	2	BUSHING,MACH
9	128.010	4	NUT,HX,FL,STV,CL10 M10
10	140.006.032	2	PIN,ROLL 3/8X2
11	133.010	1	WASHER,L9,HD 5/8
12	122.016.040	2	BOLT,HX,FL,CL10.9 M16X40
13	1270201	1	LINKAGE, HDR LOCK, LFT
14	1351521	1	HEADER LOCK, LFT
15	123.016	2	NUT,HX,FL,CL10 M16
16	1249871	2	WEAR PLATE,
17	1255122	2	BACKING PLATE
18	150742	1	COLLAR,CLAMPING,2-1/2 ID 3-3/4 OD, 2 PIECE
19	162.014.040	3	BUSHING,MACH,NR
20	1305471	2	PIVOT BUSHING
21	133891	1	ZERK, GREASE, 1/8
22	1351401	1	HEADER ADAPTER
23	1306631	1	FRONT DEFLECTOR
24	1306621	1	FRONT DEFLECTOR, INNER
25	1306611	1	MIDDLE DEFLECTOR
26	1306601	1	REAR DEFLECTOR, INNER
27	1306591	1	REAR DEFLECTOR
28	1229091	2	CYLINDER PIN, TRIM
29	1003.06.06	1	ELBOW, 90, -6MORB X -6MORFS
30	1002.06.06	1	ELBOW, 45, -6MORB X -6MORFS
31	122.010.020	2	BOLT,HX,FL,CL10.9 M10X20
32	147491	1	CYLINDER,SLAVE,21"CPC
33	126.016	3	NUT,HX,STV,CL10 M16
34	121.016.050	3	BOLT,HX,CL10.9 M16X50
35	1351451	1	CROSS SHAFT, HDR LOCK
36	122.012.040	10	BOLT,HX,FL,CL10.9 M12X40
37	1255141	1	ROD MOUNT
38	135881	1	ADAPTER,GREASE,STR
39	1353201	1	GREASE HOSE, 100R1-03 35";
40	155157	1	BULKHEAD,GREASE,STR,
41	155158	1	BULKHEAD,LOCKNUT
42	141931	1	GREASE ZERK, 1/4-28MTAPER

Model CH9030 Hillco Leveling System
 For Serial Numbers CH9030-22001 thru CH9030-22999

TRANSITION SENSOR

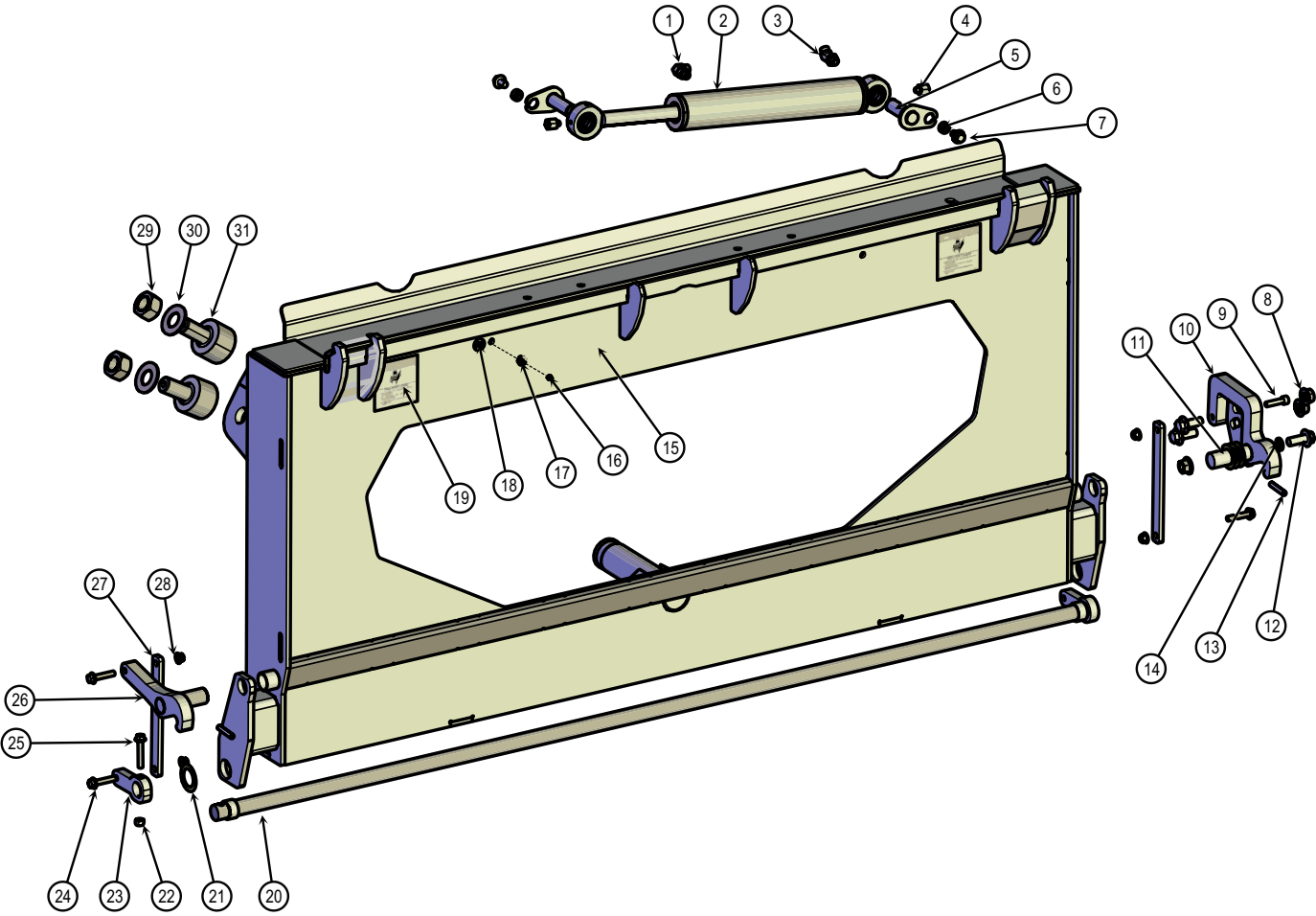


TRANSITION TILT SENSOR

BOM ID	Description	Qty	SW Configuration
1	1356761	1	SENSOR ARM
2	122.006.025	2	BOLT,HX,FL,CL10.9 M6X25
3	1356801	1	SENSOR MOUNT
4	10262.32.00480	1	#610,BLK 2"X30"
5	163.008.020	2	BOLT, CARR, CL8.8 M8 X 20
6	123.008	4	NUT,HX,FL,CL10 M8
7	1356931	1	SHIELD, SENSOR ROD, REAR
8	1356941	1	SHIELD, SENSOR ROD, FRONT
9	123.006	3	NUT,HX,FL,CL10 M6
10	105.004	2	WASHER,FLT 1/4
11	249.006	1	RING, RET, E-STLE, EXT 3/8
12	1334062	1	SENSOR MOUNT,
13	123.010	2	NUT,HX,FL,CL10 M10
14	170.005.040	2	BOLT,HX,CL8.8 M5X40
15	87330286	1	Sensor - Case IH
16	105.003	2	WASHER, FLT 3/16
17	1334072	1	SENSOR MOUNT,
18	1356721	1	SENSOR LINKAGE
19	122.008.020	2	BOLT,HX,FL,CL10.9 M8X20
20	191.006	2	NUT,HX,NYL,CL8 M6
21	122.006.016	3	BOLT, HX, FL, CL10.9 M6X16

Model CH9030 Hillco Leveling System
For Serial Numbers CH9030-22001 thru CH9030-22999

Beaterless Header Adapter

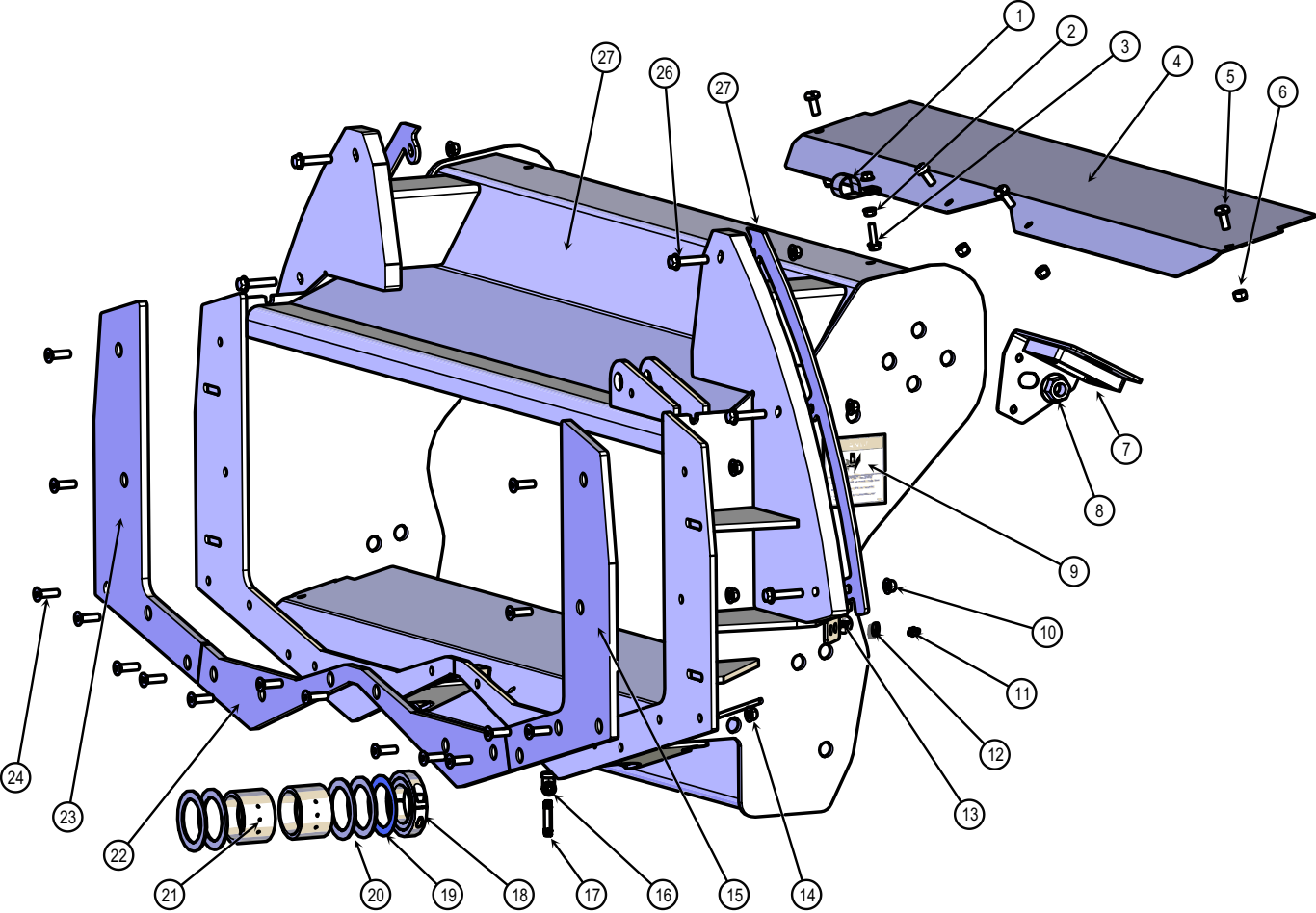


Model CH9030 Hillco Leveling System
For Serial Numbers CH9030-22001 thru CH9030-22999

Beaterless Header Adapter			
BOM ID	Description	Qty	Description
1	1003.06.06	1	-6MORB X -6MORFS
2	147491	1	2-1/2"B x 12-1/2S, 21"CPC
3	1002.06.06	1	HA,45° -6MORB X -6MORFS
4	135881	2	1/4-28Mx1/8FNPTF, LINCOLN
5	1351591	2	CYLINDER PIN, TRIM
6	1351031	2	BUSHING, CYLINDER PIN
7	122.012.020	2	BOLT,HX,FL,CL10.9 M12X20
8	123.016	3	NUT,HX,FL,CL10 M16
9	195.010.040	1	SCREW, SHC, CL 10.9 M10X40
10	1351521	1	HEADER LOCK, LFT
11	162.018.020	6	BUSHING,MACH
12	122.016.040	3	BOLT, HX, FL, CL 10.9 M 16X40
13	140.006.032	2	PIN,ROLL, 3/8 X 2
14	133.010	1	WASHER, FLT L9,HD 5/8
15	1372351	1	HEADER ADAPTER
16	138011	1	1/4-28MTAPER
17	155158	1	1/8NPSM, LINCOLN
18	133741	1	LABEL, GREASE, 50 HRS
19	100784	2	LABEL, PINCH POINT
20	1351451	1	CROSS SHAFT, HDR LOCK
21	162.018.024	2	BUSHING,MACH,NR,18GA,1-1/2ID
22	126.010	1	NUT,HX,STV,CL10 M10
23	1270191	1	PIVOT ARM, LOWER, RHT
24	122.010.050	3	BOLT, HX, FL, CL 10.9 M10X50
25	122.010.060	1	BOLT,HX,FL,CL10.9 M10X60
26	1351481	1	HEADER LOCK, RHT
27	1372311	2	LINKAGE, HDR LOCK
28	128.010	4	NUT,HX,FL,STV,CL10 M10
29	177.020	4	NUT,HX,GR8 1-1/4-12
30	133.02	4	WASHER,L9, FLT, HD, 1-1/4
31	156096	4	BEARING, TRACK ROLLER, NON-FLANGED

Model CH9030 Hillco Leveling System
For Serial Numbers CH9030-22001 thru CH9030-22999

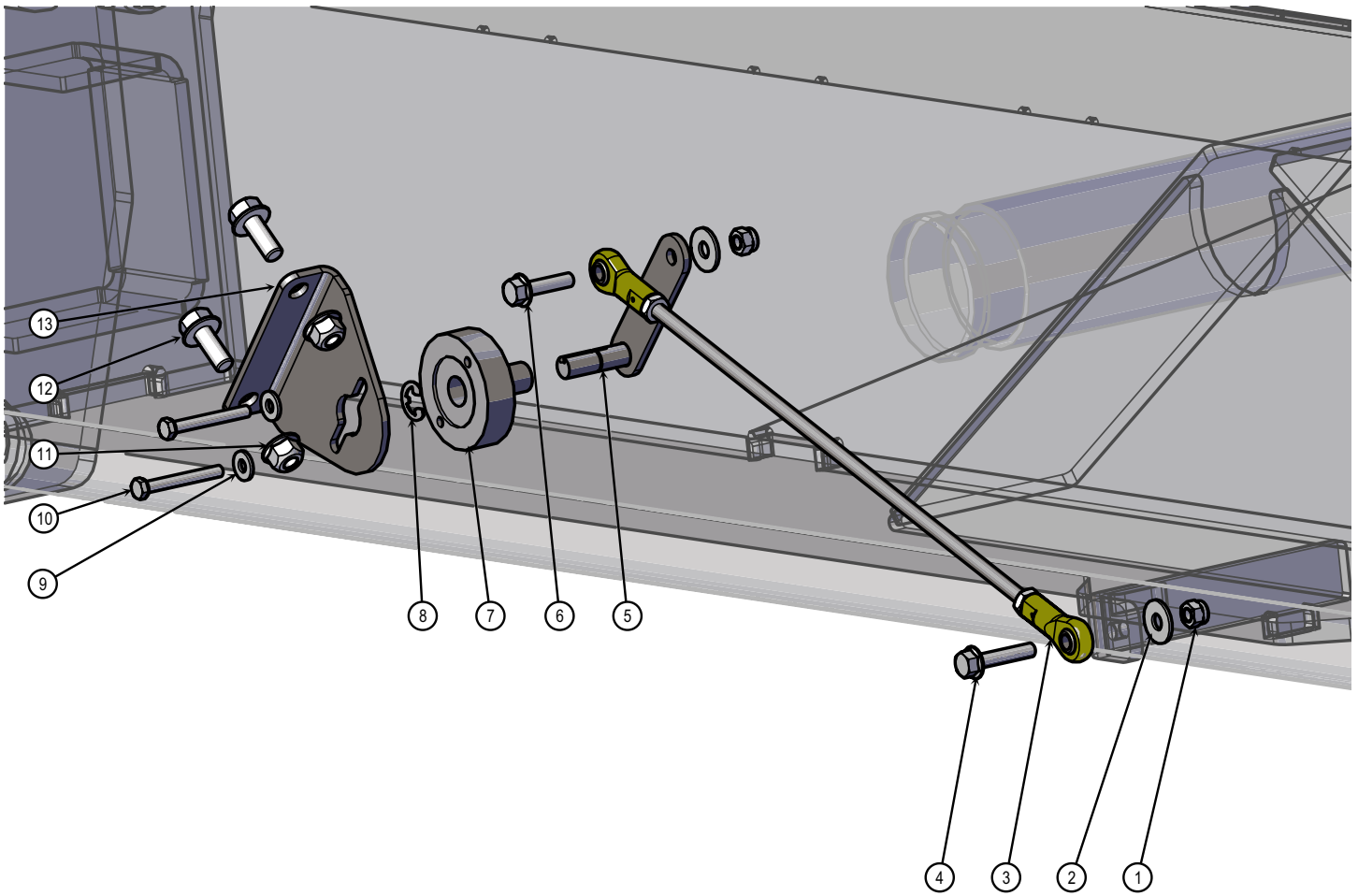
Beaterless Throat



Model CH9030 Hillco Leveling System
For Serial Numbers CH9030-22001 thru CH9030-22999

Beaterless Header Adapter			
BOM ID	Description	Qty	Description
1	143601	1	1-1/8"OD, R/C, 3/8"HOLE
2	123.008	2	NUT,HX,FL,CL10 M8
3	122.008.030	1	BOLT, HX, FL, CL10.9 M8X30
4	1372521	1	FLOOR PLATE, REPLACEABLE
5	181.010.025	4	SCREW, PHM, SH M10 X 25
6	191.010	4	NUT,HX,NYL, CL8 M10
7	1351221	1	HYDRAULIC COUPLER
8	123.020	1	NUT,HX,FL,CL10 M20
9	100784	2	PINCH POINT
10	128.010	20	NUT,HX,FL,STV,CL10 M10
11	138011	2	1/4-28MTAPER
12	155158	2	1/8NPSM, LINCOLN
13	133741	1	50HRS
14	126.010	2	STV,CL10 M10
15	1372331	1	WEAR PAD, LEFT
16	1074.02	1	HA,90° 1/8FNPT X 1/8FNPT
17	156110	1	PIPE,BLK,THREADED,BOTH ENDS 1/8NPT X 2"
18	150742	1	2-1/2 ID 3-3/4 OD
19	162.014.040	1	BUSHING,MACH,NR,14GA,2-1/2ID
21	LM-226831	2	TM BUSHING, PIVOT
22	1372341	1	WEAR PAD, MIDDLE
23	1372321	1	WEAR PAD, RIGHT
24	164.010.035	16	SCREW,FHSC, CL10.9 M10X35
25	1372531	1	THROAT
26	122.010.050	6	BOLT, HX, FL, CL 10.9 M10X50
27	1372931	2	WEAR PLATE, ROLLER

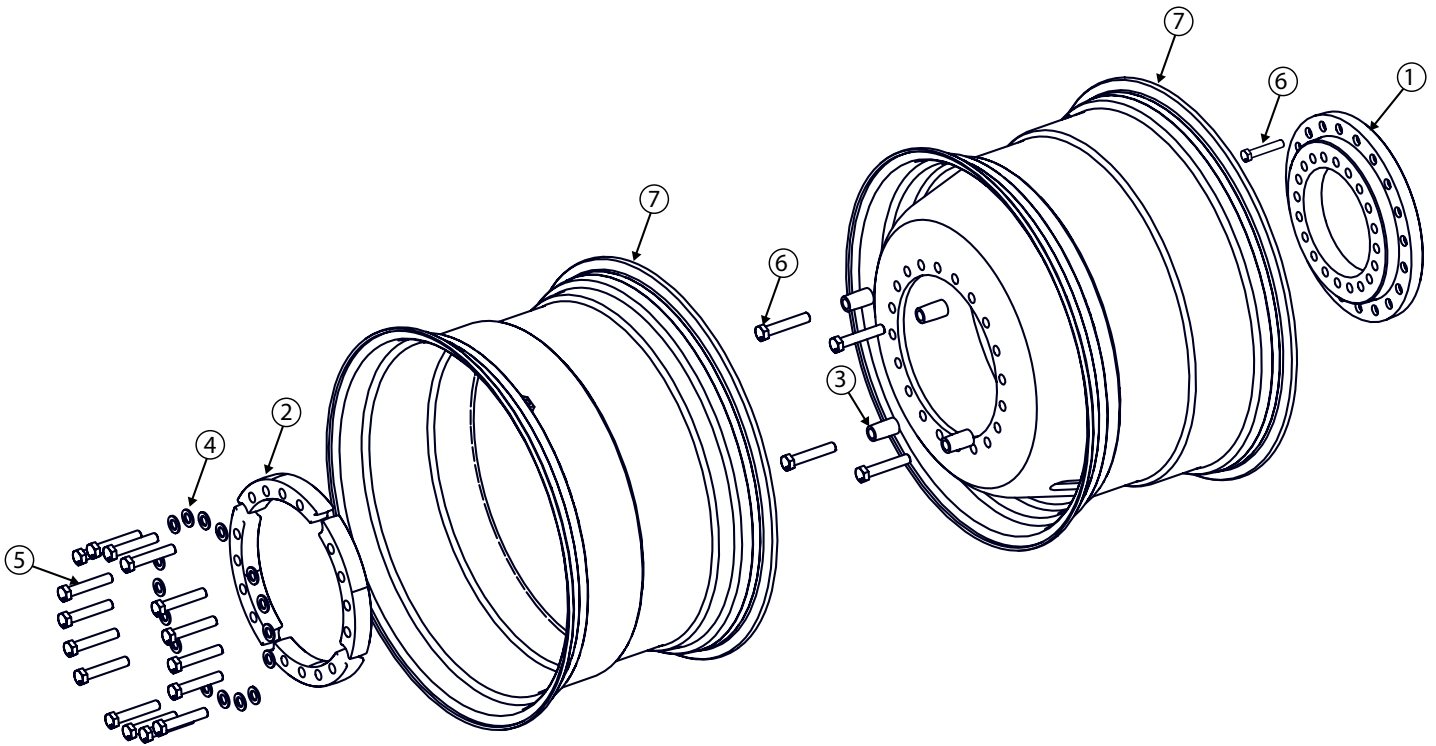
Model CH9030 Hillco Leveling System
 For Serial Numbers CH9030-22001 thru CH9030-22999



Beaterless Header Adapter			
BOM ID	Description	Qty	Description
1	191.006	2	NUT,HX,NYL,CL8 M6
2	105.004	2	WASHER,FLT 1/4
3	1367351	1	SENSOR LINKAGE
4	122.006.030	1	BOLT, HX, FL, CL 10.9 M6X30
5	1356761	1	SENSOR ARM
6	122.006.025	1	BOLT,HX,FL,CL10.9 M6X25
7	1356801	1	SENSOR MOUNT
8	249.006	1	RING,RET,E-STYLE,EXT 3/8
9	105.003	2	WASHER, FLT 3/16
10	170.005.040	2	BOLT,HX,CL8.8 M5X40
11	128.008	2	NUT,HX,STV,CL10 M8
12	122.008.020	2	BOLT,HX,FL,CL10.9 M8X20
13	1367331	1	SENSOR MOUNT

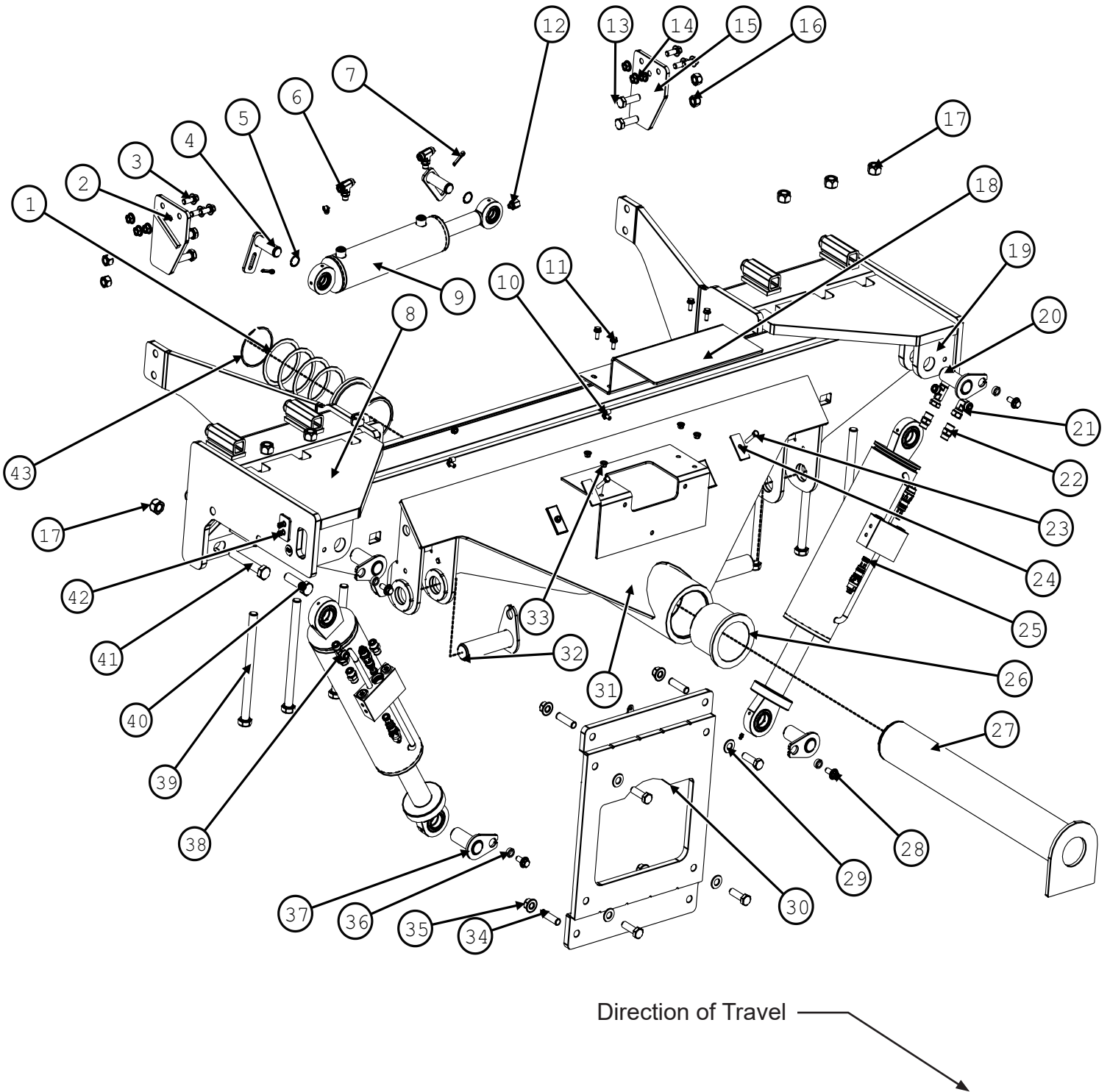
Model CH9030 Hillco Leveling System
 For Serial Numbers CH9030-22001 thru CH9030-22999

WHEEL



38" Wheel & Adapter (QTY/SIDE)			
BOM ID	Description	Qty	Description
1	155937	1	ADAPTER, HUB 20-18.504 - 16.48
2	155936	4	SEGMENT, CAST
3	155935	4	SPACER, M24, TAPERED
4	155934	16	WASHER, M24, HARDENED STEEL
5	155933	20	BOLT, HEX, CL10.9 M24 X 3 X130
6	87367550	20	CNH WHEEL BOLT
7	155938	2	WHEEL, SILVER

OVERCARRIAGE

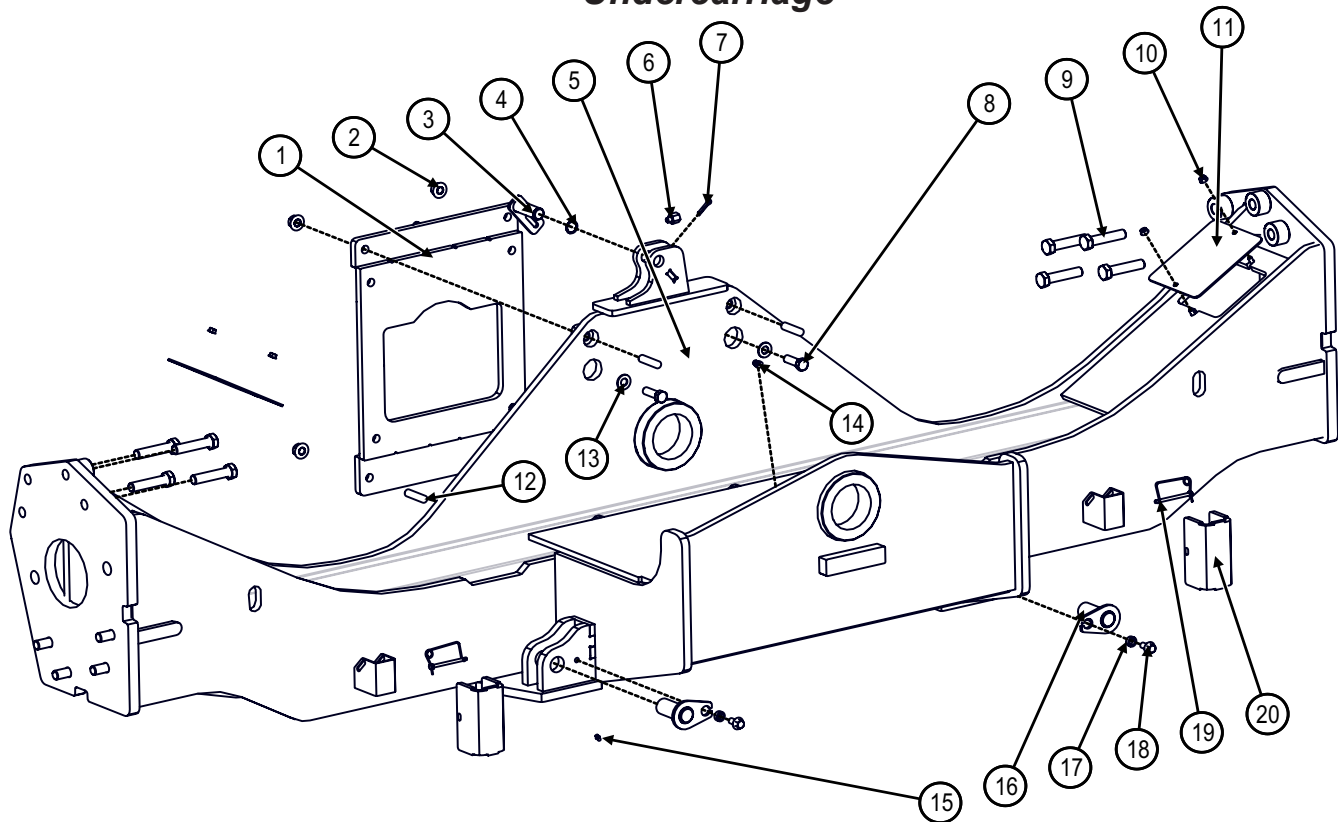


Model CH9030 Hillco Leveling System
For Serial Numbers CH9030-22001 thru CH9030-22999

Overcarriage			
BOM ID	Part No.	Qty	Description
1	1351021	4	CA WLD, OVERCARRIAGE
2	1251481	1	MOUNT, SWING ARM
3	122.012.030	6	BOLT,HX,FL,CL10.9 M12X30
4	1345961	2	CYLINDER PIN,
5	240.016	2	RING,RETAINING,SPIRAL,EXT 1"
6	1009.06	2	HA,TEE,STR,THD BRA -6MFX-6MO
7	142.004.016	2	PIN, COTTER 1/4" X 1"
8	138641	1	WASHER 4.016ID X 4.764OD X.048
9	147501	1	CYLINDER,MASTER,3"B,8-3/4"STR,17-1/4"CPC
10	142101	2	LOOP, CLOSED, .375", R/C
11	122.008.020	4	M8X20BOLT,HX,FL,CL10.9 M8X20
12	135881	1	ADAPTER,GREASE,STR
13	120.016.050	8	BOLT,HX,CL10.9 M16X50
14	123.012	6	NUT,HX,FL,CL10 M12
15	1251471	1	MOUNT, SWING ARM, LEFT
16	126.016	4	NUT,HX,STV,CL10 M16
17	126.020	16	NUT,HX,STV,CL10 M20
18	1346491	1	BOX COVER, ELECTRICAL
19	133741	2	LABEL, GREASE, 50 HRS
20	1350891	4	CYLINDER PIN, LEVELING
21	1006.08.08	1	HA, 90° -8FORFS X -8MORFS
22	1001.08.08	4	HA,STR -8MORB X -8MORFS
23	101.005.028	2	BOLT,HX,GR5 5/16-18 X 1-3/4
24	139451	2	COVER PLATE,TWIN
25	155856	2	CYLINDER, LEVELING, DUAL CB, 4-1/2" BORE,
26	1247961	2	CA PRT, PIVOT BUSHING
27	1350851	1	PIVOT PIN, MAIN
28	122.012.025	6	BOLT,HX,FL,CL10.9 M12X25
29	133.010	4	WASHER, FLT L9,HD 5/8
30	1350831	1	TRANSMISSION MOUNT
31	135771	2	ADAPTER,GREASE,90°
32	1350871	2	CYLINDER PIN, HEADER LIFT
33	123.008	6	NUT,HX,FL,CL10 M8
34	155.016.060	4	STUD,DBL-END,CL10.9 M16X60,
35	128.016	4	NUT,HX,FL,STV,CL10 M16X2.
36	1351031	6	BUSHING, CYLINDER PIN
37	138011	2	ZERK,STR, 1/4-28MTAPER
38	1008.08	2	SWV,NUT,RUN -8ORFS
39	121.020.280	6	BOLT,HX,CL, 10.9 M20 X 280
40	121.020.070	2	BOLT,HX,CL10.9 M20X70
41	121.020.120	4	BOLT,HX,CL10.9 M20X120
42	140471	3	ZERK, 90°,1/4-28MTAPER,LINCOLN
43	138651	1	SNAP RING 4 INCHES

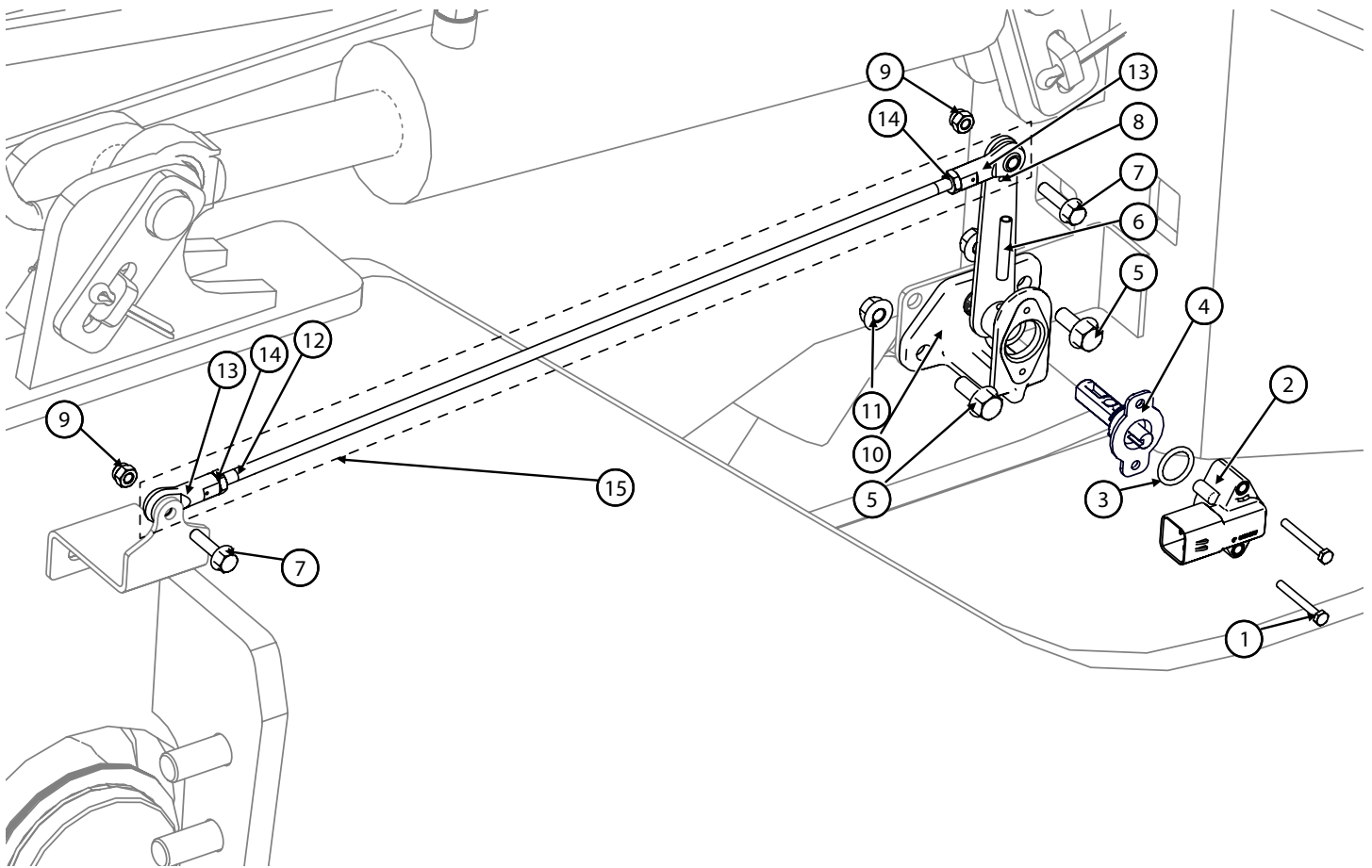
Model CH9030 Hillco Leveling System
 For Serial Numbers CH9030-22001 thru CH9030-22999

Undercarriage



Undercarriage			
BOM ID	Part Number	Qty	Description
1	1350831	1	TRANSMISSION MOUNT
2	128.016	4	NUT,HX,FL,STV,CL10 M16X2.
3	1345961	1	CYLINDER PIN,
4	240.016	1	RING,RETAINING,SPIRAL,EXT 1"
5	1350881	1	UNDERCARRIAGE
6	135881	1	ADAPTER,GREASE,STR
7	142.004.016	1	PIN, COTTER 1/4" X 1"
8	120.016.050	4	BOLT,HX,CL10.9 M16X50
9	121.020.090	16	BOLT,HX,CL10.9 M20X90
10	123.008	4	M8x1.25
11	1251461	2	BOLT COVER, FINAL
12	155.016.060	4	STUD,DBL-END,CL10.9 M16X60,
13	133.010	4	WASHER, FLT L9,HD 5/8
14	155159	1	ADAPTER,GREASE,90°
15	138011	2	ZERK,STR, 1/4-28MTAPER
16	1350891	2	CYLINDER PIN, LEVELING
17	1351031	2	BUSHING, CYLINDER PIN
18	122.012.025	2	BOLT,HX,FL,CL10.9 M12X25
19	146.004.048	2	3IN PIN, SPRING CLIP
20	1352391	2	CYLINDER STOP

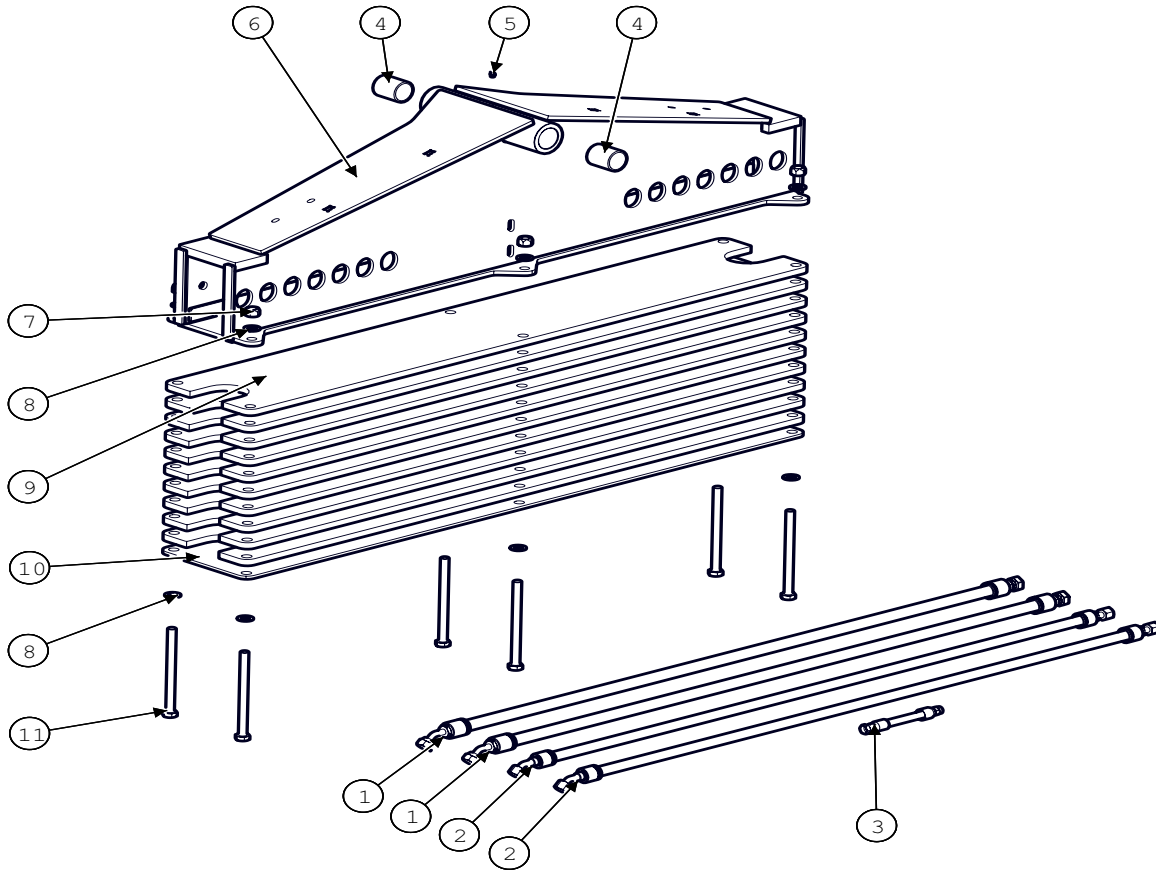
Carriage Position Sensor



CARRIAGE POSITION SENSOR			
REF.	PART NO.	QTY.	PART NAME
1	170.004.035	2	BOLT, HX,CL8.8
2	151381	1	SENSOR, ROTATION,
3	151391	1	O-RING, 11/16ID
4	151401	1	SENSOR SHAFT,
5	122.008.020	2	M8X20
6	201.006.036	1	PIN,ROLL M6X36
7	122.006.025	2	M6X25
8	151371	1	ARM, TILT SENSOR
9	191.006	2	NUT,HX,NYL,CL8 M6
10	151321	1	BRACKET, SENSOR
11	123.008	2	M8x1.25
12	1346501	1	SENSOR ROD
13	151881	2	ROD END, BALL JOINT,
14	184.004	2	NUT,HX,JAM,GR5 1/4-28
15	1355151	1	SENSOR LINKAGE ASSEMBLY

Model CH9030 Hillco Leveling System
 For Serial Numbers CH9030-22001 thru CH9030-22999

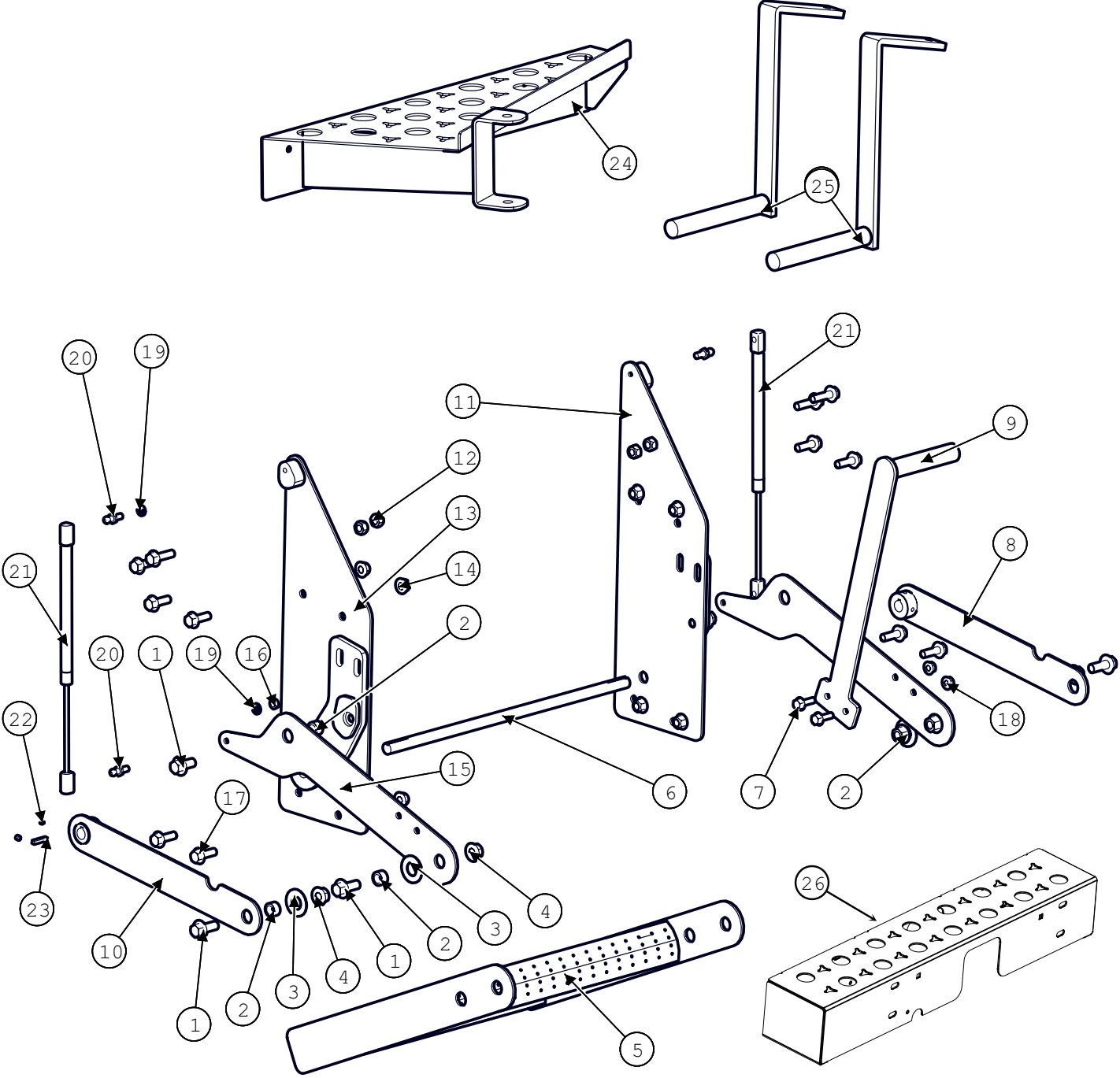
DROP AXLE



Drop Axle			
BOM ID	Part No.	Qty	Description
1	1324171	2	100R15-12 72";
2	1324181	2	100R15-10 72";
3	1325061	1	100R17AR-08 9";
4	140791	2	PIVOT SLEEVE
5	141231	1	ZERK, GREASE, 45°, 1/8
6	1252162	1	DROP AXLE
7	126.020	6	NUT,HX,STV,CL10 M20
8	133.012	12	WASHER,L9,HD 3/4
9	1285891	0-10	WEIGHT, 160LB
10	1320511	1	JACKING PLATE
11	121.020.250	6	BOLT,HX,CL10.9 M20X250 (10 WEIGHT OPTION)
11	121.020.170	6	BOLT,HX,CL10.9 M20X170 (6 WEIGHT OPTION)
11	121.020.060	6	BOLT,HX,CL10.9 M20X060 (NO WEIGHT OPTION)
*NS	1356411	2	AXLE ROTATION STOP
*NS	121.020.170	2	BOLT, HX, CL10.9 M20 X 170
*NS	128.020	2	NUT, HX, FL,STV,CL10 M20 X 2.5
*NS	133.012	2	WASHER, FLT L9,HD 3/4

Model CH9030 Hillco Leveling System
For Serial Numbers CH9030-22001 thru CH9030-22999

RETRACTABLE LADDER & TOP WEDGE

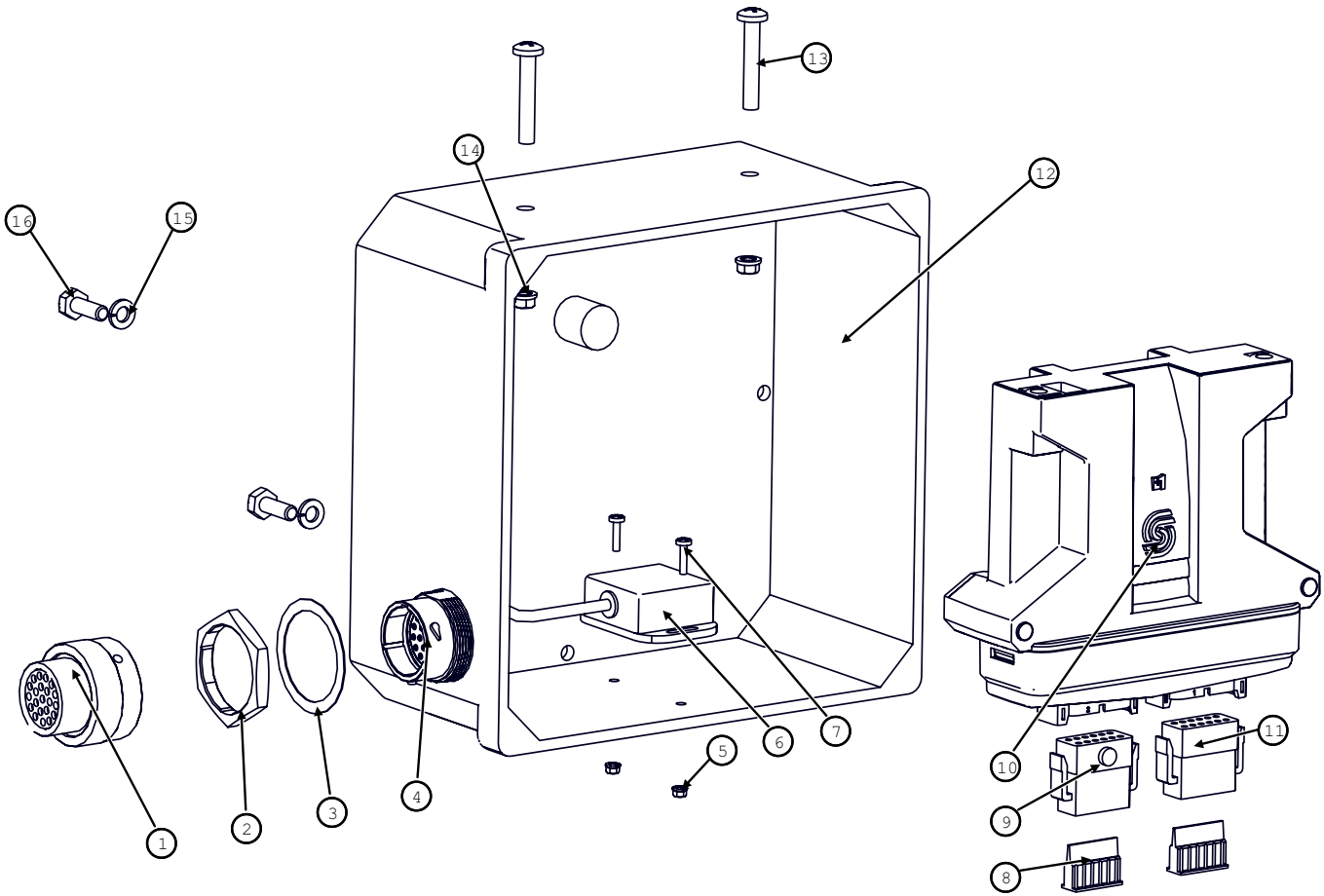


Model CH9030 Hillco Leveling System
For Serial Numbers CH9030-22001 thru CH9030-22999

Ladder			
BOM ID	Part No.	Qty	Description
1	122.012.030	6	BOLT,HX,FL,CL10.9 M12X30
2	1299181	6	PIVOT BUSHING
3	153.014.012	4	BUSHING,MACH,WR
4	123.012	4	NUT,HX,FL,CL10 M12
5	1305801	1	STEP, FOLDING LADDER
6	1305861	1	ROCK SHAFT
7	122.008.025	2	BOLT,HX,FL,CL10.9 M8X25
8	1305811	1	LEFT LINK
9	1248861	1	LADDER HANDLE
10	1305821	1	RIGHT LINK
11	1305871	1	LADDER MOUNT, LEFT (-YDG218539)
	1306781	1	LADDER MOUNT, LEFT (YDG218540-)
12	126.01	4	NUT,HX,STV,CL10 M10
13	1305921	1	LADDER MOUNT, RIGHT (-YDG218539)
	1306791	1	LADDER MOUNT, RIGHT (YDG218540-)
14	128.01	8	NUT,HX,FL,STV,CL10 M10
15	1305831	2	UPPER ARM
16	174.005	2	NUT,HX,JAM,GR5 5/16-18
17	122.010.030	12	BOLT,HX,FL,CL10.9 M10X3
18	123.008	2	NUT,HX,FL,CL10 M8
19	136.005	4	WASHER,LCK,MED-SPLIT 5/16
20	134931	4	BRACKET, LIFT SUPPORT
21	139251	2	LIFT SUPPORT, GAS CHARGED,
22	166.004.004	4	SCREW,SKT,SET 1/4-28X1/4
23	10049.03.00016	2	SQ,1018,CD 3/16X1
24	1253901	1	LADDER WEDGE (-YDG218539)
	1307451	1	LADDER WEDGE (YDG218540-)
25	1251802	2	STEP SUPPORT, RIGHT
26	1357361	1	LADDER PLATFORM EXT, 6 INCH

Model CH9030 Hillco Leveling System
 For Serial Numbers CH9030-22001 thru CH9030-22999

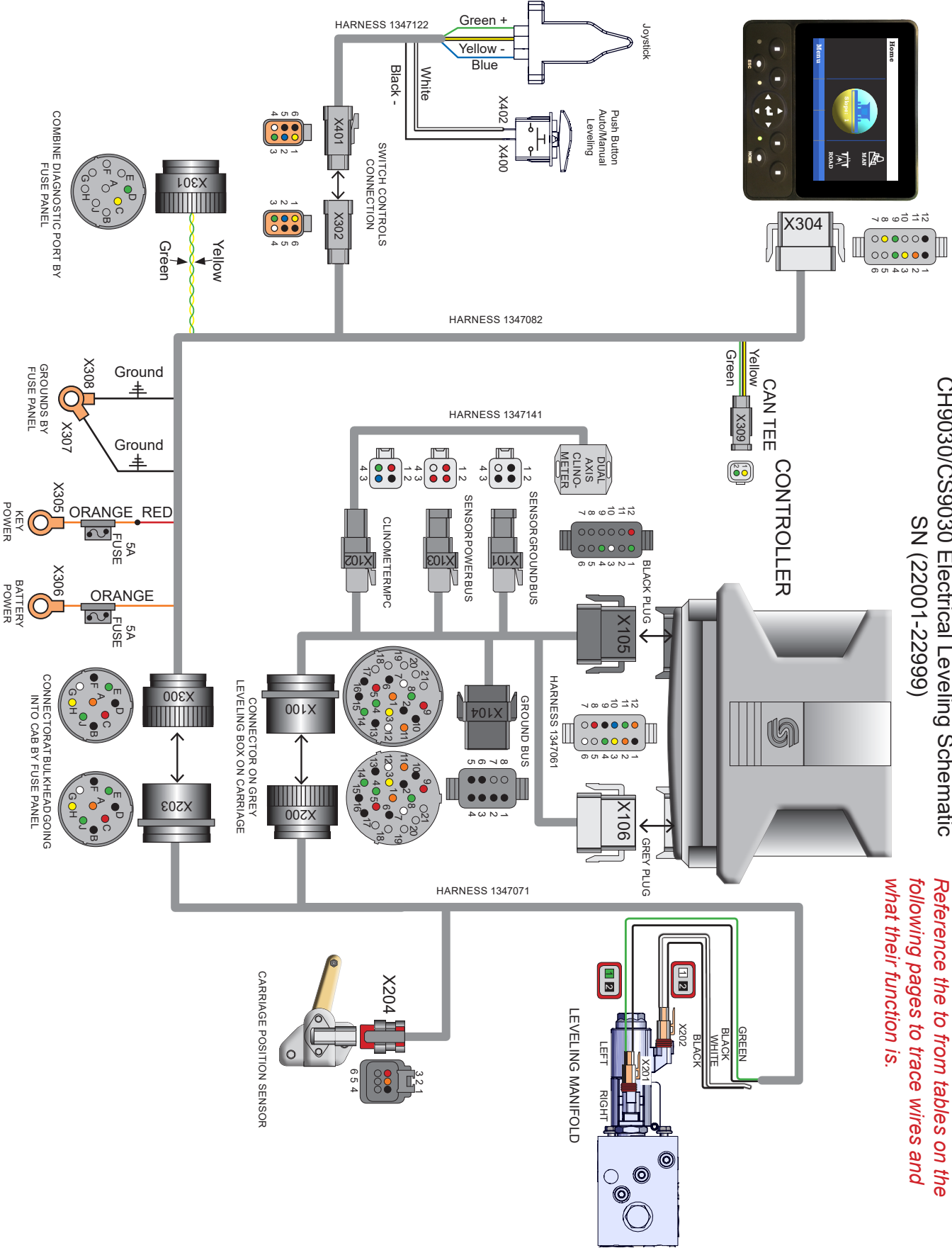
LEVELING BOX



Leveling Box			
BOM ID	Part No.	Qty	Description
1	155789	1	PLUG, DEUTSCH, 21 POS
2	155792	1	PANEL NUT, PLASTIC, DEUTSCH
3	155791	1	LOCK WASHER, PANEL, DEUTSCH
4	155790	1	RECEPTACLE, DEUTSCH, 21POS
5	119.#06	2	NUT,HX,FL,SERR 6-32
6	1347142	1	CLINOMETER, DUAL AXIS
7	114.#06.008	2	SCREW,PHM,CH 6-32X1/2
8	141741	2	WEDGE,12-SOCKET,
9	141761	1	PLUG,12-SOCKET,
10	155713	1	CONTROLLER, PROGRAM 1346642
11	141751	1	PLUG,12-SOCKET,A-KEY
12	1346521	1	CONTROLLER BOX
13	114.004.024	2	SCREW,PHM,CH,SERR
14	119.004	2	NUT,HX,FL,SERR 1/4-20
15	136.004	3	WASHER,LCK,MED-SPLIT 1/4
16	101.004.012	3	BOLT,HX,GR5 1/4-20X3/4

Model CH9030 Hillco Leveling System
 For Serial Numbers CH9030-22001 thru CH9030-22999

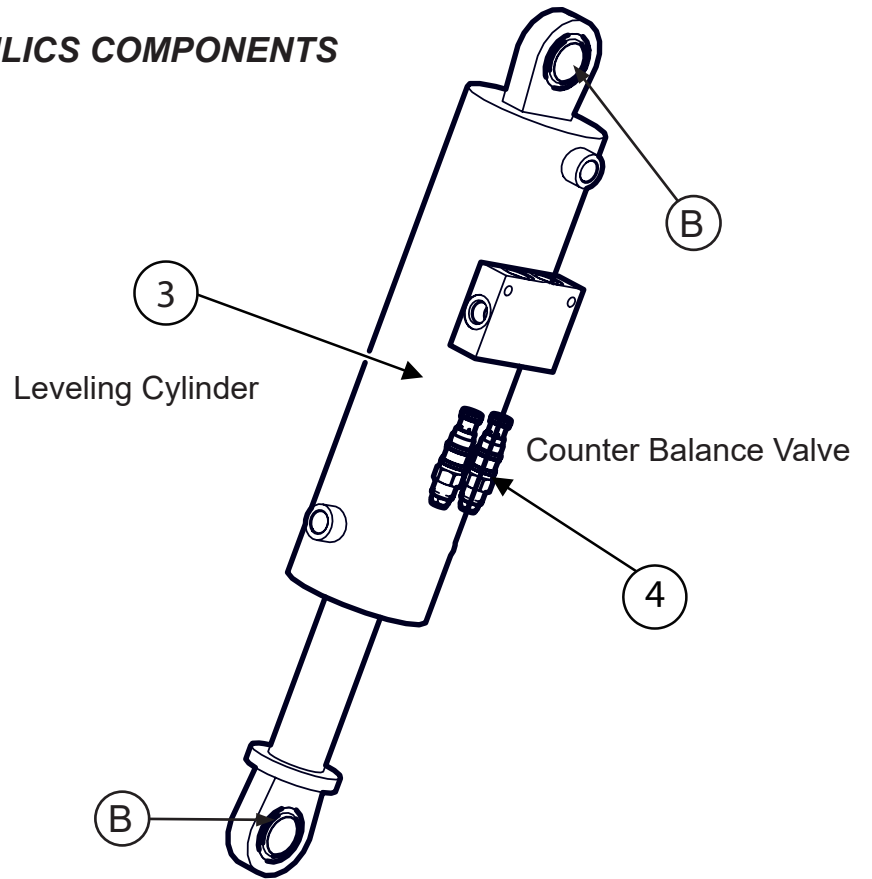
ELECTRICAL HARNESSES



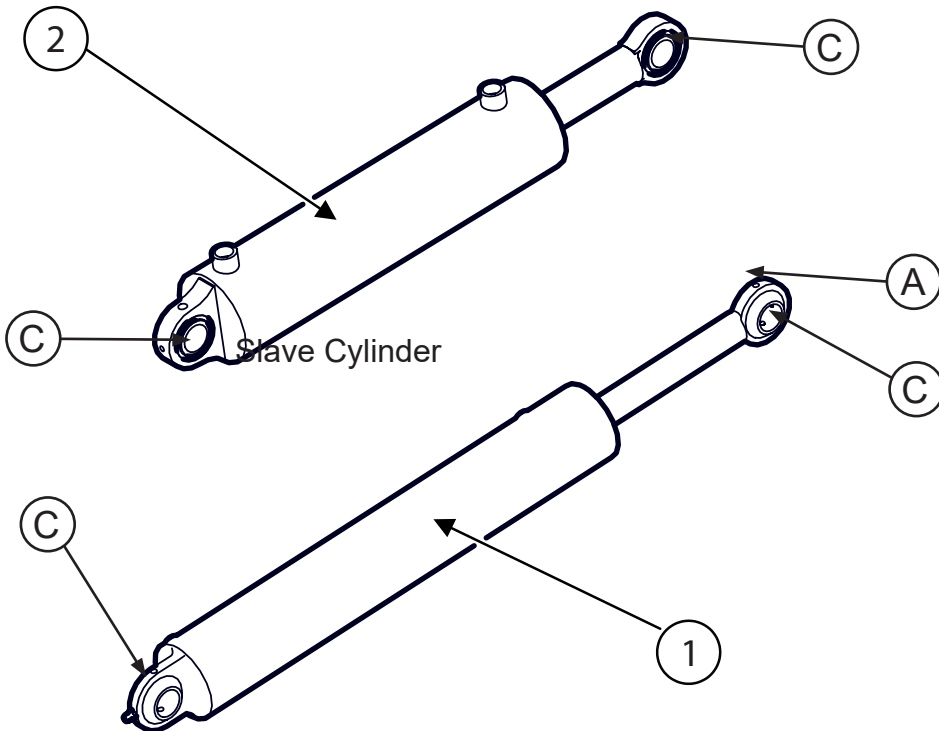
CH9030/CS9030 Electrical Leveling Schematic
 SN (22001-22999)

Reference the to from tables on the following pages to trace wires and what their function is.

HYDRAULICS COMPONENTS



Master Cylinder

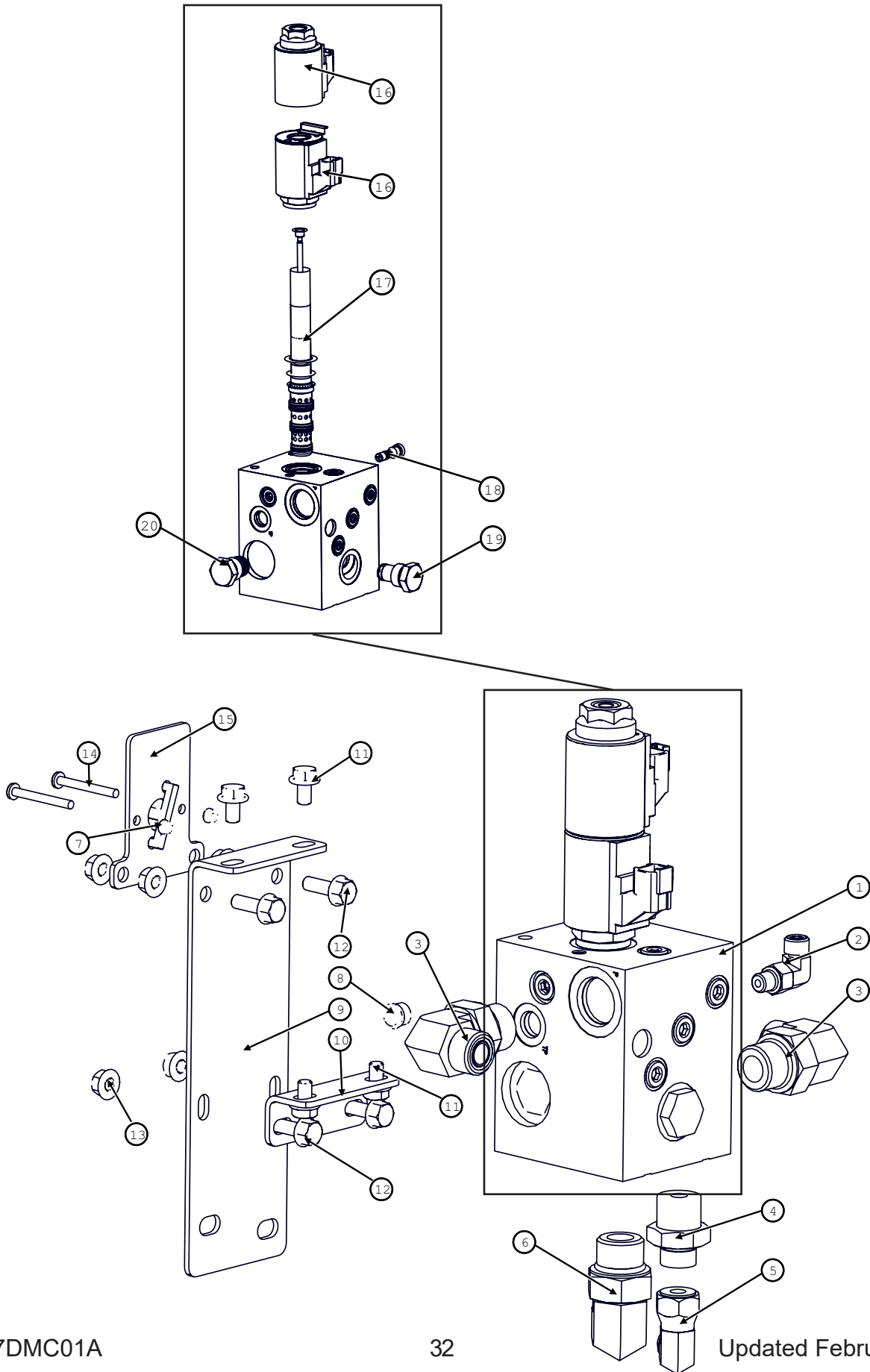


Model CH9030 Hillco Leveling System
For Serial Numbers CH9030-22001 thru CH9030-22999

COUNTERBALANCE VALVE AND CYLINDERS				
REF.	PART NO.	QTY.	PART NAME	NOTES
1	147491	1	SLAVE CYL, 1-1/8" R, 12-1/2" S, 2-1/2 B, 21" CPC	
NS	HC-141281	1	SEAL KIT, SLAVE CYLINDER	
2	147501	1	CYLINDER, MASTER	
NS	HC-134201	1	SEAL KIT, MASTER CYLINDER	
3	155856	2	CYLINDER, MAIN	
NS	155954	2	SEAL KIT, MAIN CYLINDER	
4	155593	4	CARTRIDGE, COUNTERBALANCE VALVE	
NS	HC-140361	4	SEAL KIT, COUNTERBALANCE VALVE	TWO SEAL KITS REQUIRED PER COUNTERBALANCE VALVE
HYDRAULIC FASTENERS				
REF.	PART NO.	QTY.	PART NAME	WHERE USED
A	F-SSS-04F04	6	SET SCREW, 1/4-28 X 1/4	ALL CYLINDERS
B	MC-150881	4	1 3/8" BEARING, SEALED SPHERICAL	
C	MC-150871	4	1" BEARING, SEALED SPHERICAL	

Model CH9030 Hillco Leveling System
For Serial Numbers CH9030-22001 thru CH9030-22999

LEVELING MANIFOLD

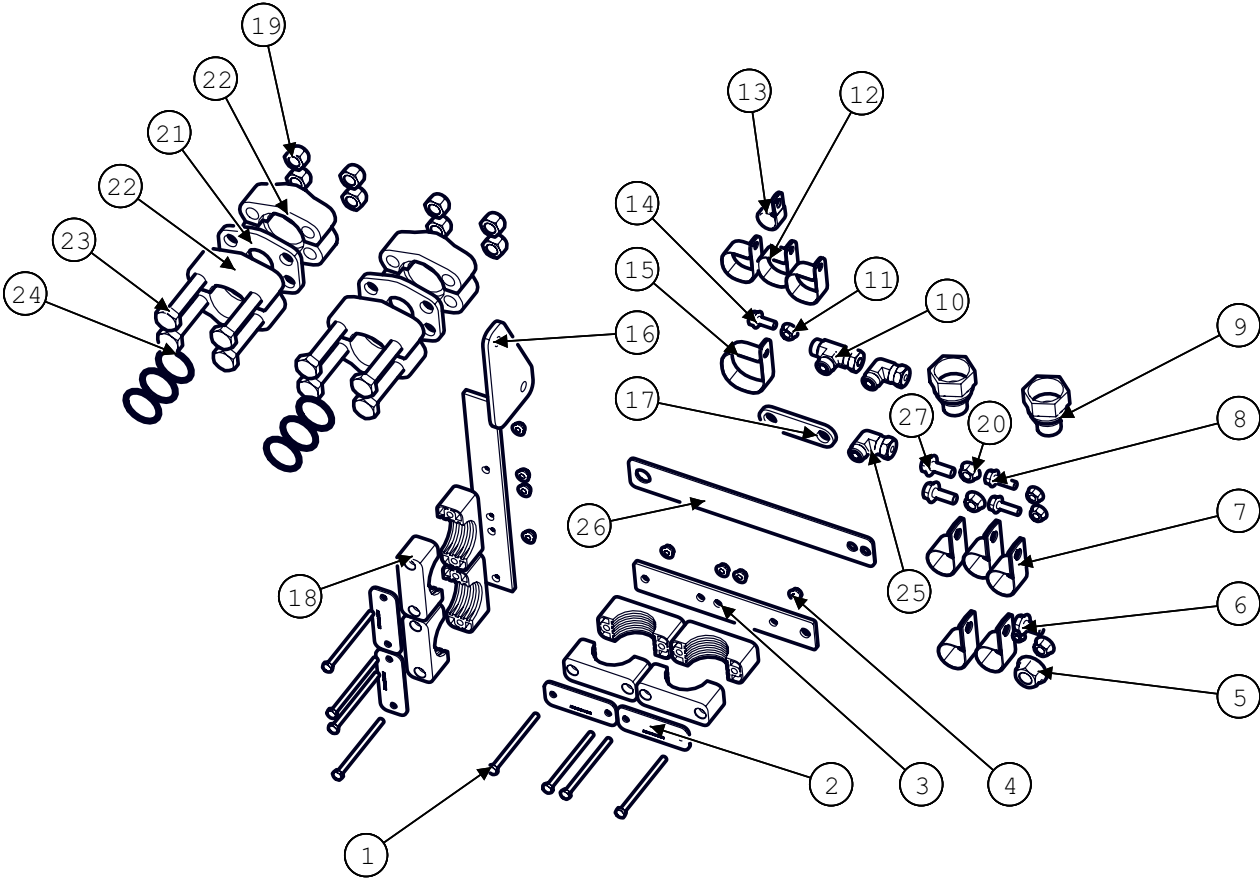


Model CH9030 Hillco Leveling System
For Serial Numbers CH9030-22001 thru CH9030-22999

LEVELING MANIFOLD			
BOM ID	Part No.	Qty	Description
1	1343021	1	HIGH-FLOW (COMATROL P/N11191146)
2	1003.04.04	1	HA,90°
3	1003.12.10	2	HA,90°
4	1001.12.08	1	HA,STR
5	1006.08.08	1	-8FORFS X -8MORFS
6	1003.12.08	1	HA,90° -12MORB X -8MORFS
7	119.#10	2	NUT,HX,FL,SERR 10-24
8	1019.06	1	HA,PLUG,SKT,HD
9	1313221	1	MANIFOLD MOUNT, BASE
10	1313231	1	MANIFOLD MOUNT, BASE
11	111.005.008	4	BOLT,HX,FL,GR5 5/16-18X1/2
12	122.008.025	4	M8X25
13	123.008	6	M8x1.25
14	114.#10.028	2	SCREW,PHM,CH 10-24X1-3/4
15	1259951	1	MOUNT, TILT SENSOR
16	155854	2	SOLENOID COIL,M19,PROP,DEUTSCH
17	155855	1	CARTRIDGE VALVE,3 POS,4 WAY, PROP, 16GPM
18	155236	1	CHECK VALVE, REVERSE DIRECTION
19	155238	1	CAVITY PLUG, 2 WAY, 10 SERIES
20	155234	1	CAVITY PLUG, 3 WAY, 10 SERIES

Model CH9030 Hillco Leveling System
For Serial Numbers CH9030-22001 thru CH9030-22999

HYDRO HOSES ACCESSORIES



Model CH9030 Hillco Leveling System
For Serial Numbers CH9030-22001 thru CH9030-22999

Hydro Hose Accessories			
BOM ID	Part No.	Qty	Description
1	170.006.090	8	BOLT,HX,CL8.8 M6X90
2	140651	4	COVER PLATE
3	1251862	1	HYDROHOSE SUPPORT
4	123.006	9	NUT,HX,FL,CL10 M6
5	123.016	1	NUT,HX,FL,CL10 M16
6	122.010.020	1	BOLT,HX,FL,CL10.9 M10X20
7	143601	5	CLAMP, HOSE 1-1/8"
8	122.008.025	2	BOLT,HX,FL,CL10.9 M8X25
9	1004.16.10	2	HA,STR
10	1008.06	1	SWIVEL NUT, RUN, -6ORFS
11	123.008	3	NUT,HX,FL,CL10 M8
12	135631	3	CLAMP, 1-1/2" R/C W 3/8
13	135791	1	CLAMP, HOSE
14	122.008.020	1	BOLT,HX,FL,CL10.9 M8X20
15	135781	1	CLAMP, HOSE 2 R/C W/3/8 HOLE
16	1251832	1	HOSE BRACKET, HYDRO
17	1275651	1	HYDROHOSE SPREADER
18	140641	4	CLAMP, 2" BEHRINGER
19	126.014	8	NUT,HX,STV,CL10 M14
20	123.01	3	NUT,HX,FL,CL10 M10
21	1272161	2	UNION, CODE 62, 1-1/4"
22	147611	8	FLANGE, CODE 62, -20
23	121.014.090	8	BOLT,HX,CL10.9 M14X90
24	147621	6	O-RING, CODE 62
25	1006.06.06	2	-6FORFS X -6MORFS
26	1285102	1	HYDROHOSE PULL
27	122.010.025	2	BOLT,HX,FL,CL10.9 M10X25

Model CH9030 Hillco Leveling System
For Serial Numbers CH9030-22001 thru CH9030-22999

HYDRAULIC HOSES

Hydraulic Hoses				
BOM ID	Part No.	Qty	Description	Where Used
ns	1154131	1	HH ASM,100R16-10 18"	Reducer on Bottom Tee to "T" Port on Manifold
ns	1325061	1	100R17AR-08 9";	Extends Case Drain Hose on the Left RWA Motor
ns	1352291	1	100R17AR-08X79-1/2";-08FF90° D29MMx-08FF90° D29MM	Left Cylinder Retract to Right Cylinder Extend
ns	1352301	1	100R17AR-08X79-1/2";-08FF STRx-08FF90° D29MM	Left Cylinder Extend to Right Cylinder Retract
ns	1352311	1	HLB-02X28"; -02MP STR SWVL x 1/8-27 NPSM STR	Master Cylinder Base to Right Grease Bulkhead
ns	1352321	1	HLB-02X66"; -02MP STR SWVL x 1/8-27 NPSM STR	Master Rod to Right Grease Bulkhead
ns	1352331	1	HLB-02X44"; -02MP STR SWVL x 1/8-27 NPSM STR	Main Pivot Pin to Left Grease Bulkhead
ns	1352591	1	100R17AR-16X99"; -20 FORFS STR X -16 MORFS STR	Hydro Motoor Case Drain
ns	1352601	1	100R17AR-10 X 19";	Leveling Valve Pressure Port to Top Tee
ns	1352611	1	100R17AR-4X24"; -4 FORFS STR X -6 FORFS 90 D23MM	Load Sense to Manifold
ns	1352621	1	100R17AR-6X53"; -8FORFS STR X -8FORFS 90° D29MM	Left Brake Hose
ns	1352631	1	100R17AR-6X51"; -8 FORFS 90° D29MM X -8 MORFS STR	Right Brake Hose
ns	1352641	1	797TC-20X86"; -20 CODE 62 STR X -20 CODE 62 90° D90MM	Top Hydro Hose Extension
ns	1352651	1	797TC-20X90"; -20 CODE 62 STR X -20 CODE 62 90° D140MM	Bottom Hydro Hose Extension
ns	1352661	1	100R17AR-6X63"; -8FORFS STR X -8FORFS 90° D29MM	Differential Lock
ns	1352671	1	100R17AR-6X63"; -8MORFS STR X -6FORFS 90° D29MM	Park Brake Hose
ns	1352681	1	100R17AR-8X169"; -8FORFS STR X -8 FORFS 45°	Valve Port "A" to Right Cylinder Base
ns	1352691	1	100R17AR-8X114"; -8FORFS STR X -8 FORFS 45°	Valve Port "B" to Left Cylinder Base
ns	1352701	1	100R17AR-4X108"; -6FORFS STR X -6FORFS 90° D23MM	Terrain Tractor Rod Port to Master Cylinder Rod
ns	1352711	1	100R17AR-4X116"; -6FORFS STR X -6FORFS 90° D23MM	Terrain Tractor Head Port to Master Cylinder Base
ns	1352721	1	100R17AR-4X119"; -6FORFS STR X -6FORFS STR	Master Cylinder Base to Slave Cylinder Base
ns	1352731	1	100R17AR-4X143"; -6FORFS STR X -6FORFS STR	Master Cylinder Rod to Slave Cylinder Rod
ns	1352741	2	100R17AR-10X30"; -10 FORFS 45° X -12 MORFS STR	Header Lift Pressure Hose
ns	1352751	2	100R17AR-8X29"; -10 FORFS STR X -8 FORFS 45°	Header Lift Cylinder Return

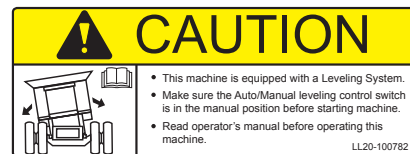
MISCELLANEOUS



1) LL-133741



2) LL-151061



3) LL20-100782



4) LL20-100783



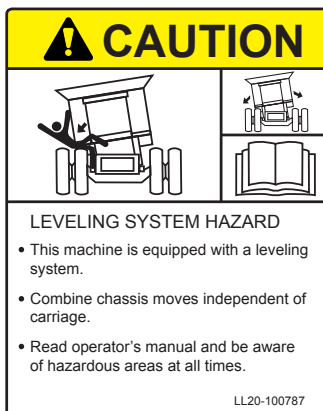
5) LL20-100784



6) LL20-100785



7) LL20-100786



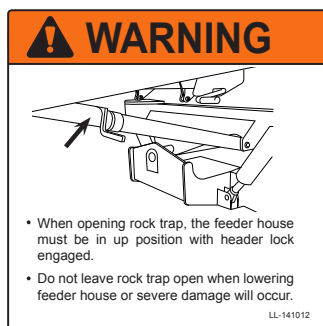
8) LL20-100787



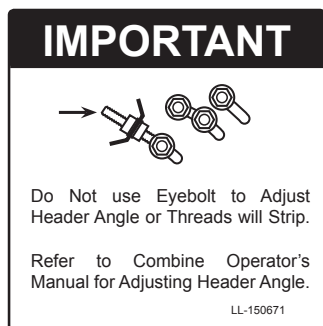
9) LL20-100788



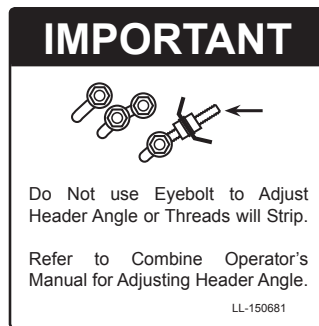
10) LL-143621



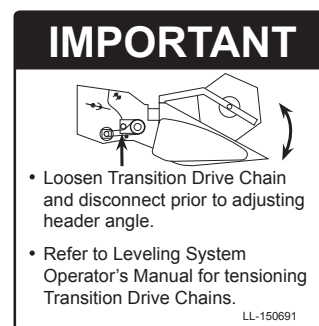
11) LL-141012



12) LL-150571



13) LL-150581



14) LL-150591

Model CH9030 Hillco Leveling System
For Serial Numbers CH9030-22001 thru CH9030-22999

DOCUMENTS AND LABELS				
REF.	PART NO.	QTY.	PART NAME	NOTES
1	LL-133741	2	LABEL, GREASE 50 HR	RH AND LH MAIN LEV CYL BOTTOM
1	LL-133741	1	LABEL, GREASE 50 HRS	BY BASE END OF SLAVE CYLINDER
1	LL-133741	2	LABEL, GREASE 50 HRS	REAR FACE 12" ON BOTH SIDES OF PIVOT PIN
1	LL-133741	2	LABEL, GREASE 50 HRS	RH AND LH BULKHEAD MOUNT
2	LL-153631	2	DECAL, CASE HILLSIDE LEVELING SYSTEM (20 YEAR ANNIVERSARY)	SIDE PANELS ON COMBINE
3	LL20-100782	1	CAUTION LEVELING SYSTEM CAB	WINDOW IN CAB
4	LL20-100783	2	DANGER, CRUSHING HAZARD	FRONT UC LEFT & RIGHT
4	LL20-100783	2	DANGER CRUSHING HAZARD	SIDE OF COMBINE ABOVE REAR TIRES
5	LL20-100784	2	DANGER PINCH POINT	RH & LH UPPER TRANS FACE PLT
6	LL20-100785	1	CAUTION MOVING STEP	COMBINE LADDER CHANNEL
7	LL20-100786	1	WARNING, ELECTRONIC CRUSHING HAZARD	FRONT OF CONTROL BOX
8	LL20-100787	2	CAUTION LEVELING SYSTEM HAZARD	CLEAN GRAIN ELEVATOR (RH); SCREEN (LH)
9	LL20-100788	3	DANGER HYDRAULIC HAZARD	1- EA MAIN CYLINDER
9	LL20-100788	1	DANGER HYDRAULIC HAZARD	ABOVE HYDRAULIC MANIFOLD
10	LL-143621	2	DANGER, AVOID CRUSHING INJURY	REAR OF UC NEAR THE SAFETY STOP MNTS
11	LL-141012	2	DECAL, ROCK TRAP WARNING	BY ROCK TRAP HANDLE AND ON SHIELD ABOVE HANDLE
12	LL-150671	1	LABEL, EYEBOLT LEFT	BELOW LEFT EYEBOLT MOUNT
13	LL-150681	1	LABEL, EYEBOLT RIGHT	BELOW RIGHT EYEBOLT MOUNT
14	LL-150691	1	LABEL, HEADER ANGLE	ON RH SIDE TT ASM NEAR TOP ADJ BOLTS
NS	EC-150131	1	DECAL, REMOTE SWITCH BOX	
NS	LL-141011	2	DECAL, ROCK TRAP WARNING	BY ROCK TRAP HANDLE AND ON SHIELD ABOVE HANDLE
NS	LL-239412	1	LABEL, STEERING WHEEL	TIED TO STEERING WHEEL DURING INSTALLATION
NS	LA-255951	1	PLATE, SERIAL NUMBER	LEFT REAR OF UNDERCARRIAGE
NS	D-180913CMA01A	1	CH9030 OPERATORS MANUAL	SN 19001-19999

Model CH9030 Hillco Leveling System
For Serial Numbers CH9030-22001 thru CH9030-22999

Hillco Technologies, Inc.
107 1st Avenue
Nezperce, Idaho 83543

Phone	800-937-2461
	208-937-2461
Fax	208-937-2280

www.hillcotechnologies.com
email: support@hillcotechnologies.com