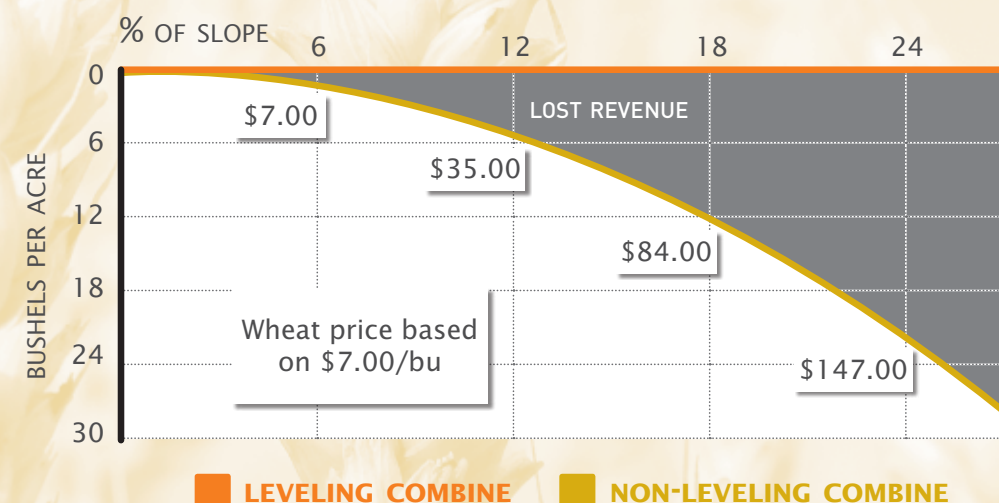


HARVEST IS PAYOFF TIME.

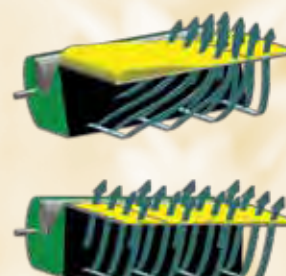
You've done your best to reduce your input costs and maximize your yield potential throughout the growing season. Now is not the time to start cutting corners by harvesting your hills with a non-leveling combine! Hillco's Leveling Systems eliminate hillside related grain loss and increase your harvesting speeds. At the end of the day, that means more grain in the tank and more acres behind you.

BUSHEL PER ACRE LOST FOR WHEAT WITH A NON-LEVELING COMBINE ON VARYING SLOPES (harvesting at full level-land harvesting speed)



(100 bu. winter wheat; 35' flex head; class 7 combine; 3 mph level-land harvesting speed)

As a non-leveling combine moves onto a hillside, threshed material moves to the low side of the cleaning shoe, allowing valuable cleaning air to escape without lifting and separating the crop. The result is hillside grain loss.



With a Hillco Leveling System installed on your combine, the material is evenly distributed on the shoe, allowing for maximum separation and cleaning capacity.

At Hillco, we understand that no two farms are alike. Visit us at www.hillcotecnologies.com and try our Return on Investment Calculator. This tool allows you to enter your farm's crop information and discover the benefits of adding a Hillco Leveling System to your combine.

The Hillco/John Deere Referral Supplier Agreement ensures that all original combine warranties remain in full effect after installation of a Hillco Leveling System.

DISCLAIMER: The information contained regarding crop loss as a function of slope and speed was obtained as a result of extensive testing conducted at the request of Hillco Technologies, Inc. and every effort was made during testing to create "average" harvesting conditions and yields. However, since there are countless number of variables that impact sidehill harvesting performances, your performance may vary from our test results. Hillco Technologies, Inc. expressly disclaims any warranty that if you purchase a Hillco Leveling System, you will achieve the sidehill leveling performance indicated by our test results.



Dear Customer,

Fifty years ago my dad was a young farmer with a knack for looking at a challenge on the farm and coming up with an equipment solution to solve the problem. Throw in three decades, the help of his daughter and two sons, and more than our share of business bumps and bruises along the way, and Hillco built its first combine leveling system in 1993. Add twenty more years, a little luck, careful listening, and a lot of hard work and here we are today, proud to be known as Hillco Technologies, Inc., the leading manufacturer of combine leveling systems in North America.

We like to think we built this business the right way, listening to you, our customer, and delivering products that have real value to your farming operation. Though we don't promise to build a perfect product, we do promise to build you a product to the best of our abilities and to back it with the kind of product support that shows you we care about your business.

Our employees largely grew up in the farming and logging communities of the Pacific Northwest and we are as at home behind the wheel of combines and tractors as we are behind our computers and machinery. We understand the industry and we understand you need reliable, cost effective equipment that can make your farming operation more productive and profitable.

I promise you that we'll never forget where we came from and will continue to earn your business by delivering innovative products of high quality and value backed with first class support. On behalf of my company, my employees, and my family, I'd like to thank you for investing in Hillco products.

Sincerely,

Lenny Hill, President
Hillco Technologies, Inc.

HILLSIDE COMBINE LEVELING SYSTEMS



208.937.2461 Toll-free: 800.937.2461 www.hillcotecnologies.com

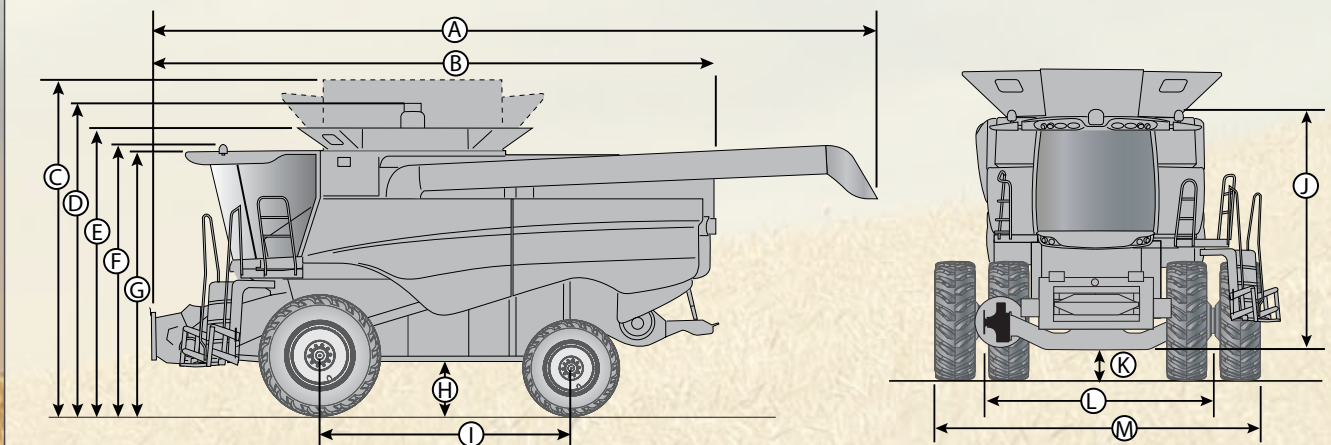
info@hillcotecnologies.com

1010 1st Avenue, Nezperce, Idaho 83543-5062

HILCO LEVELING SYSTEMS.

How do we improve on a leveling system that has already set the industry standard? We continue to push the boundaries; designing and building equipment that meets the rigorous demands of today's farmer. Hillco's new Hillside Leveling System, designed for the S Series combines, is the "workhorse" of our product line. Built to handle the increased weight and grain tank capacity of the new, larger combines, our latest Hillside Leveling System delivers superior performance and unparalleled results in some of the steepest terrain harvested in the world.

So how do we improve on an industry standard? We set an entirely new one.



HILCO LEVELING SYSTEM FEATURES



LEVELING CONTROLS—

The leveling system controls are conveniently located in the John Deere CommandTouch™ Armrest Console. Select Automatic mode and the leveling system corrects for slope changes without any operator input. Switch to Manual mode and the Automatic leveling function is disabled, allowing the operator to have full control of the combine's chassis position.



MONITOR—An in-cab color monitor is used to display warnings and to provide electrical diagnostic information.



LADDER—A retractable double step ladder is installed to the bottom of the John Deere ladder, allowing for easier access to the cab.



REAR DROP AXLE—The drop axle lifts the rear of the combine to match the 8" height increase of the overcarriage/undercarriage. This levels the combine fore/aft and accommodates both powered and non-powered rear axles.



CROP FEEDING SYSTEM—The low maintenance paddle beater feed system is designed for maximum throughput to handle the heaviest of yields.

OVERCARRIAGE/ UNDERCARRIAGE—

The leveling system's unique center pivot design allows the original drive train components to be reused. Original components are simply unbolted from the main axle tube and remounted to the leveling system's undercarriage, delivering maximum drivetrain efficiency and reliability. This unique design also keeps the treadface of the tires flat on the ground for improved traction, stability and flotation.



ADVANCED SLOPE SENSING & CORRECTION—

The clinometer-based slope sensor mounted to the carriage continuously monitors the slope and maintains a level combine chassis. The technology utilized in the leveling controller and hydraulic control valve allows for variable leveling speed.

HYDRAULICS—The JH7010 Leveling System uses a gear pump mounted directly to the output shaft on the combine's rear engine housing. This simple yet effective design is not only reliable but also delivers ample hydraulic flow on the steepest of terrain.

The JH9010 Leveling System hydraulic flow is integrated into the combine's existing hydraulic circuit for ease of maintenance and excellent reliability.

LATERAL TILT CONTROL—

The hydraulic controlled lateral tilt system counter rotates the header during leveling, keeping the header parallel to the ground. When integrated with the combine's lateral tilt electronics, it delivers fully automatic header height and lateral tilt control for excellent ground contouring performance.

 HILCO TECHNOLOGIES	JH9010	JH7010
Dimensions	24.5 x 32 6* Front Tires 28LR26 Rear Tires	24.5 x 32 6* Front Tires 28LR26 Rear Tires
John Deere Models	S680 & S690	S670
A	36'3" (22'5" Unloading Auger)	33'6" (22'5" Unloading Auger)
B	28'1"	28'2"
C	16'5" (400 bu. folding)	16'4" (300 bu. folding)
D	15'10"	15'9"
E	15'1" (400 bu. extensions)	14'4" (300 bu. extensions)
F	13'3"	13'4"
G	13'1"	13'1"
H	1'11"	1'11"
I	12'9"	12'9"
J	12'3"	12'4"
K	12"	12"
L ^a	158"	158"
M ^a	212.5"	212.5"
Maximum Slope Compensation	27% (15.4°)	27% (15.4°)
Leveling Controller	Slope Sensing Clinometer	
Leveling Speed	Proportional Control with Auto/Manual	
Leveling Hydraulic System	Integrated into Combine's Closed Center Hydraulics	Gear Pump
Header Lateral Tilt Control	Hydraulic Master/Slave Cylinder with Auto/Manual Override	
Feeder Transition	Paddle Beater	
Leveling System Installation	The unique bolt-on design of Hillco Leveling Systems makes Near Factory and Dealer installation a convenient option for both new and pre-owned combines.	
Leveling System Shipping Weight	4,950 lbs	4,950 lbs
Net Weight Added to Combine ^b	3,950 lbs	3,950 lbs

^a Due to different tire configurations, row spacings, axle configurations, wheel offsets, axle positions and spindle types, machine widths will vary. Measurements given in chart are for minimum and maximum widths with dual drive tires. For more detailed width information, please contact Hillco.

^b Due to different combine options, weight will vary.

Note: Dimensions are approximate and subject to change without notice.