

Model JS7010 Hillco Leveling System
For Serial Numbers JS7010-15001 thru JS7010-15999



Model JS7010 Sidehill Leveling System Parts Manual

SN JS7010-15001 thru JS7010-15999

For John Deere S660 & S670
S Series Combines

D-120621CMA01B



JS7010 Sidehill Leveling System

For S660 & S670 S Series Combines

Table of Contents

| | |
|--|-----------|
| General Information | 3 |
| Serial Number Location | 3 |
| Text and Illustrations | 3 |
| Abbreviations | 3 |
| Right and left Identification | 3 |
| Part Orders | 3 |
| Transition | 4 |
| Tilt Sensor | 5 |
| Feeder Drum Arms and Chain Extensions | 6 |
| Transition Throat | 8 |
| Transition Throat - Hydraulic Fore/Aft | 10 |
| Transition Header Adapter | 12 |
| Transition Header Adapter - Hydraulic Fore/Aft | 14 |
| Carriage | 16 |
| Overcarriage | 17 |
| Undercarriage | 19 |
| Carriage Misc. Parts | 21 |
| Carriage Position Sensor | 22 |
| Drop Axle | 24 |
| Hydraulic Components | 25 |
| Hydro Hose Adapters | 26 |
| Leveling Manifold | 27 |
| Header Trim Manifold | 29 |
| Gear Pump | 31 |
| Hydraulic Hoses | 32 |
| Retractable Ladder | 33 |
| Ladder Wedge | 35 |
| Electrical | 37 |
| Controller/Wiring Harnesses | 37 |
| Decals and Literature | 38 |

Contact Information

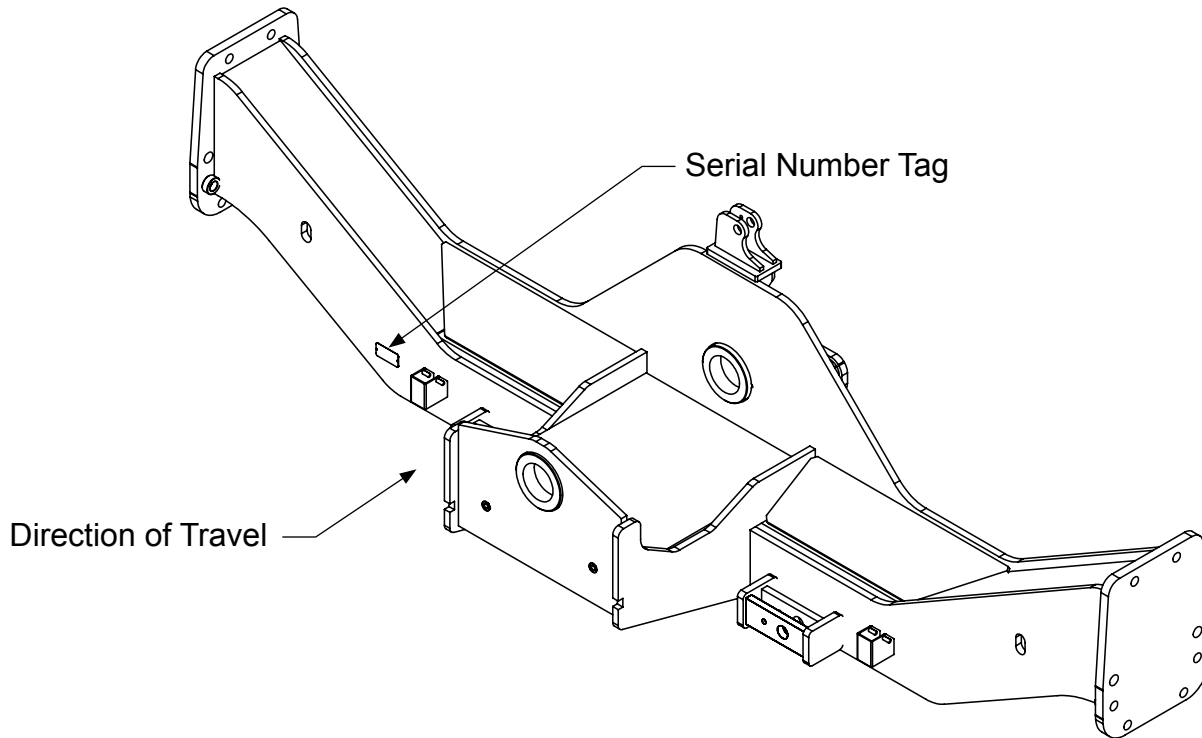
Hillco Technologies, Inc.
107 1st Avenue
Nezperce, Idaho 83543

| | |
|-------|--------------|
| Phone | 800-937-2461 |
| | 208-937-2461 |
| Fax | 208-937-2280 |

www.hillcotechnologies.com
email: support@hillcotechnologies.com

GENERAL INFORMATION

SERIAL NUMBER LOCATION



TEXT AND ILLUSTRATIONS

The arrangement of this parts catalog is for easy identification of parts. All parts are illustrated in exploded views in proper relation to each other. Some diagrams refer to other pages for further information. Reference numbers used in the illustrations refer to line numbers in the part lists. The part lists appear to the right or below all diagrams and correspond with those diagrams. Included in the part lists, along with the reference numbers are part numbers, part descriptions and the quantity of the part required per leveling system.

ABBREVIATIONS

SN "Serial Number" refers to the serial number given to each leveling system (by Hillco Technologies), as well as the serial number given to the combine (by the specific combine manufacturer) the leveling system is installed. See above for the leveling system's serial number location. This abbreviation is used interchangeably in both instances. Each Model JS7010 Leveling System uses the following serial number format: JS7010-XXXXX (sequential numbers).

ASM "Assembly" refers to a whole grouping of parts (shown in the diagram corresponding with the page where "ASM" is shown unless otherwise noted). Some assemblies have parts that are sold separately, however some must be purchased as a single unit. Hillco Product Specialists will be able to assist you with any questions.

NS "Not Shown" refers to a part that is not depicted in the illustration.

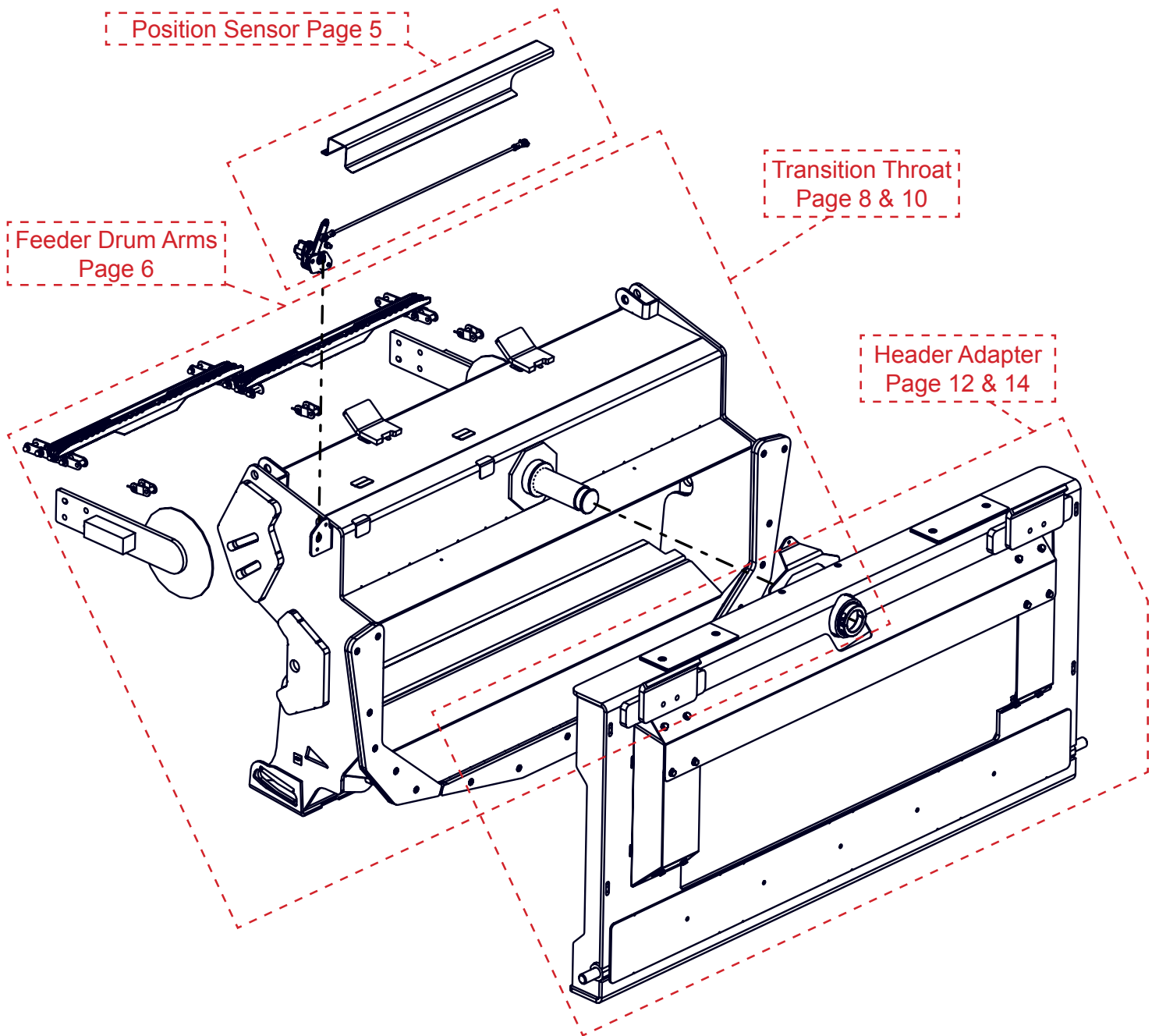
RIGHT AND LEFT IDENTIFICATION

The reference to right-hand and left-hand in this catalog is identified by the operator sitting in the operator's seat, looking toward the front of the machine (in normal forward travel).

PART ORDERS

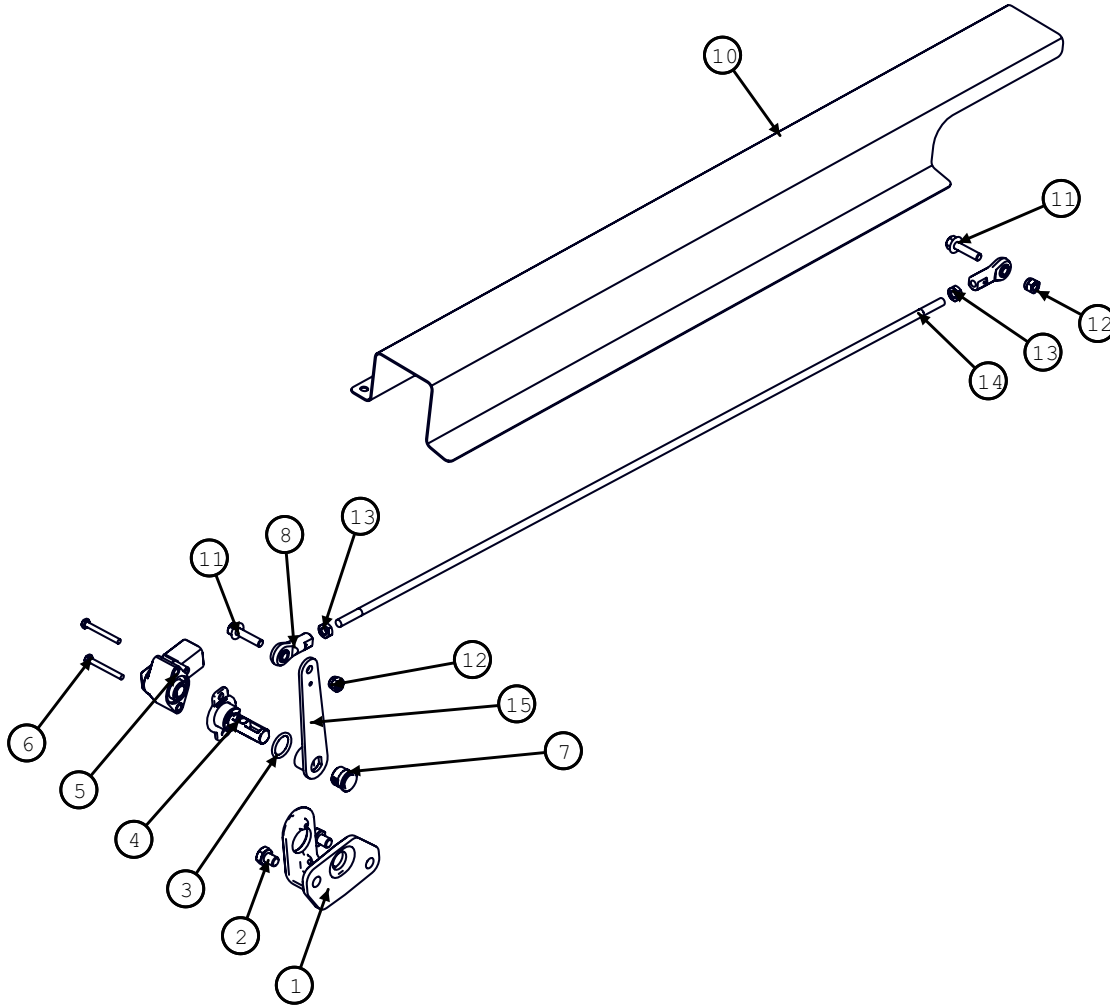
Orders must specify product model, serial number, correct part number, complete description, quantity required, method of shipment, shipping address, and billing address.

TRANSITION



Model JS7010 Hillco Leveling System
 For Serial Numbers JS7010-15001 thru JS7010-15999

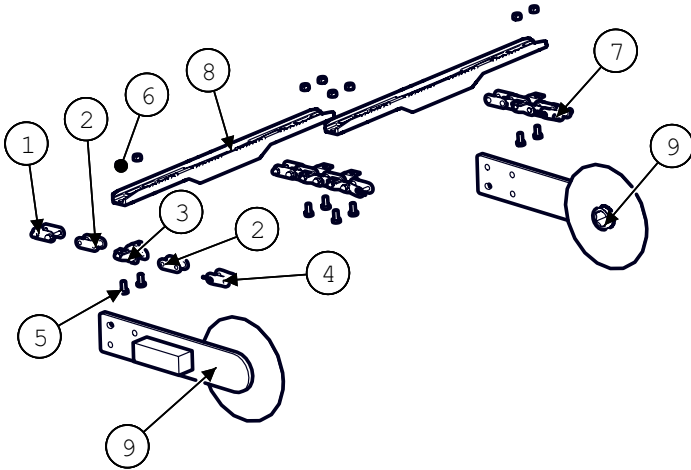
TRANSITION TILT SENSOR



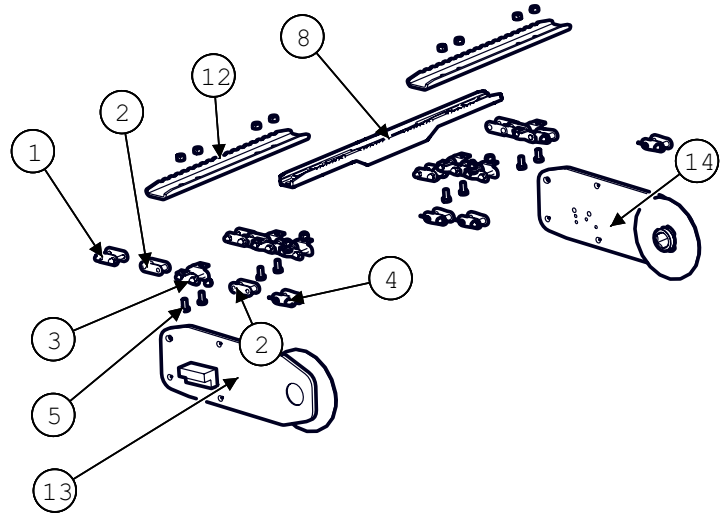
| TRANSITION POSITION SENSOR | | | |
|----------------------------|----------|-----|-------------------------|
| BOM ID | Part No. | Qty | Description |
| 1 | 151321 | 1 | BRACKET, SENSOR |
| 2 | 178.008 | 2 | BOLT,HX,CL8.8 M8X10 |
| 3 | 151391 | 1 | O-RING, 11/16 ID |
| 4 | 151401 | 1 | SENSOR SHAFT, |
| 5 | 151381 | 1 | SENSOR, ROTATION, |
| 6 | 170.004 | 2 | BOLT, HX,CL8.8 |
| 7 | 151361 | 1 | BUSHING, |
| 8 | 151881 | 2 | ROD END, BALL JOINT, |
| 9 | 201.006 | 1 | PIN,ROLL M6X36 |
| 10 | 1295541 | 1 | SENSOR LINKAGE |
| 11 | 122.006 | 2 | BOLT,HX,FL,CL10.9 M6X25 |
| 12 | 191.006 | 2 | NUT,HX,NYL,CL8 M6 |
| 13 | 184.004 | 2 | NUT,HX,JAM,GR5 1/4-28 |
| 14 | 1295502 | 1 | SENSOR ROD |
| 15 | 151371 | 1 | ARM, TILT SENSOR |

Feeder Drum Arms and Chain Extensions

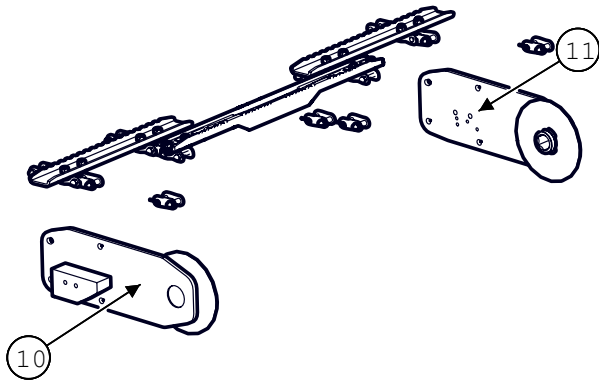
10" Drum, 3 Strand



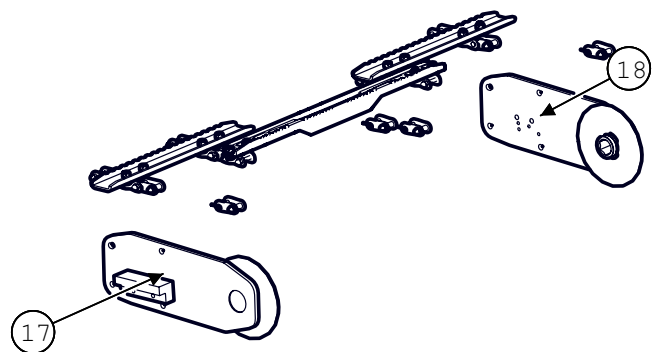
8" Drum, Full Travel, Hydraulic Fore/Aft



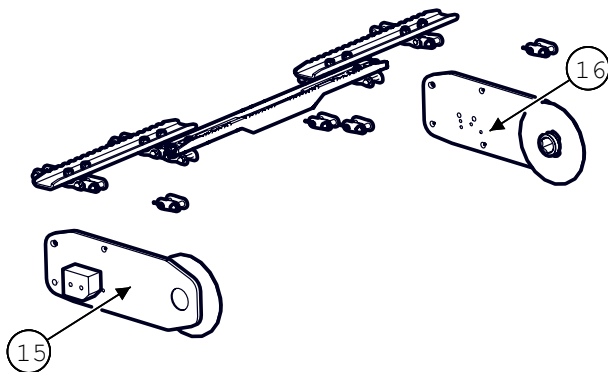
8" Drum, Limited Travel



8" Drum, Full Travel



8" Drum, Limited Travel, Hydraulic Fore/Aft



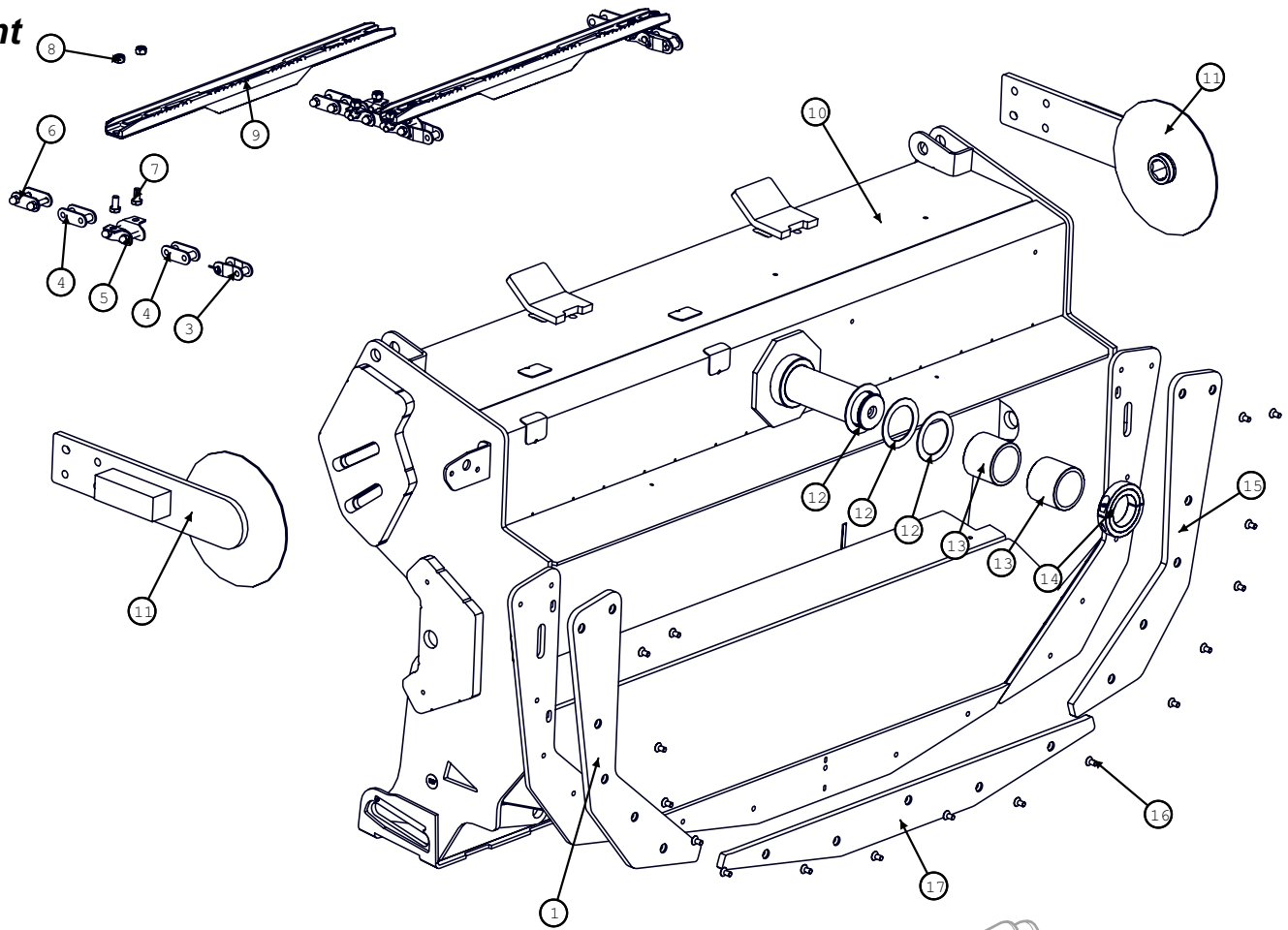
Model JS7010 Hillco Leveling System
For Serial Numbers JS7010-15001 thru JS7010-15999

| Feeder Drum Arms & Feeder Chain | | | |
|--|-----------------|------------|---|
| 10" DRUM, 3-STRAND, | | | |
| BOM ID | Part No. | Qty | Description |
| 140261 | 1 | 3 | COUPLER, CA557 CHAIN LINK |
| 146391 | 2 | 6 | LINK, FEMALE, CA557 |
| 146381 | 3 | 4 | CHAIN LINK WITH K6 SIDEBAR |
| 146641 | 4 | 3 | LINK, OFFSET COUPLER CA557 |
| 120.010.020 | 5 | 10 | BOLT,HX,CL10.9 M10 |
| 126.01 | 6 | 10 | NUT,HX,STV,CL10 M10 |
| 146211 | 7 | 3 | NUT 8MM X 1.25 ACORN |
| 146402 | 8 | 2 | SLAT, CAST |
| 1269141 | 9 | 2 | 10" FEEDR DRUM ARM |
| 8" DRUM, LIMITED TRAVEL | | | |
| 140261 | 1 | 4 | COUPLER, CA557 CHAIN LINK |
| 146391 | 2 | 8 | LINK, FEMALE, CA557 |
| 146381 | 3 | 6 | CHAIN LINK WITH K6 SIDEBAR |
| 146641 | 4 | 4 | LINK, OFFSET COUPLER CA557 |
| 120.010.020 | 5 | 12 | BOLT,HX,CL10.9 M10 |
| 126.01 | 6 | 12 | NUT,HX,STV,CL10 M10 |
| 146211 | 7 | 6 | NUT 8MM X 1.25 ACORN |
| 146402 | 8 | 3 | SLAT, CAST |
| 1324681 | 10 | 1 | 8" DRUM ARM, LIMITED TRAVEL |
| 1324671 | 11 | 1 | 8" DRUM ARM, LIMITED TRAVEL |
| 155308 | 12 | 2 | SHORT CONVEYOR |
| 8" DRUM, FULL TRAVEL, HYDRAULIC FORE/AFT | | | |
| 140261 | 1 | 4 | COUPLER, CA557 CHAIN LINK |
| 146391 | 2 | 8 | LINK, FEMALE, CA557 |
| 146381 | 3 | 6 | CHAIN LINK WITH K6 SIDEBAR |
| 146641 | 4 | 4 | LINK, OFFSET COUPLER CA557 |
| 120.010.020 | 5 | 12 | BOLT,HX,CL10.9 M10 |
| 126.01 | 6 | 12 | NUT,HX,STV,CL10 M10 |
| 146211 | 7 | 6 | NUT 8MM X 1.25 ACORN |
| 146402 | 8 | 3 | SLAT, CAST |
| 155308 | 12 | 2 | SHORT CONVEYOR |
| 1319641 | 13 | 1 | 8" DRUM ARM, FULL TRAVEL, HYDRAULIC FORE/AFT |
| 1319631 | 14 | 1 | 8" DRUM ARM, FULL TRAVEL, HYDRAULIC FORE/AFT |
| 8" DRUM, LIMITED TRAVEL, HYDRAULIC FORE/AFT | | | |
| 140261 | 1 | 4 | COUPLER, CA557 CHAIN LINK |
| 146391 | 2 | 8 | LINK, FEMALE, CA557 |
| 146381 | 3 | 6 | CHAIN LINK WITH K6 SIDEBAR |
| 146641 | 4 | 4 | LINK, OFFSET COUPLER CA557 |
| 120.010.020 | 5 | 12 | BOLT,HX,CL10.9 M10 |
| 126.01 | 6 | 12 | NUT,HX,STV,CL10 M10 |
| 146211 | 7 | 6 | NUT 8MM X 1.25 ACORN |
| 146402 | 8 | 3 | SLAT, CAST |
| 155308 | 12 | 2 | SHORT CONVEYOR |
| 1324841 | 15 | 1 | 8" DRUM ARM, LIMITED TRAVEL, HYDRAULIC FORE/AFT |
| 1324831 | 16 | 1 | 8" DRUM ARM, LIMITED TRAVEL, HYDRAULIC FORE/AFT |
| 8" DRUM, FULL TRAVEL | | | |
| 140261 | 1 | 4 | COUPLER, CA557 CHAIN LINK |
| 146391 | 2 | 8 | LINK, FEMALE, CA557 |
| 146381 | 3 | 6 | CHAIN LINK WITH K6 SIDEBAR |
| 146641 | 4 | 4 | LINK, OFFSET COUPLER CA557 |
| 120.010.020 | 5 | 12 | BOLT,HX,CL10.9 M10 |
| 126.01 | 6 | 12 | NUT,HX,STV,CL10 M10 |
| 146211 | 7 | 6 | NUT 8MM X 1.25 ACORN |
| 146402 | 8 | 3 | SLAT, CAST |
| 155308 | 12 | 2 | SHORT CONVEYOR |
| 1324711 | 17 | 1 | 8" DRUM ARM, FULL TRAVEL |
| 1324701 | 18 | 1 | 8" DRUM ARM, FULL TRAVEL |

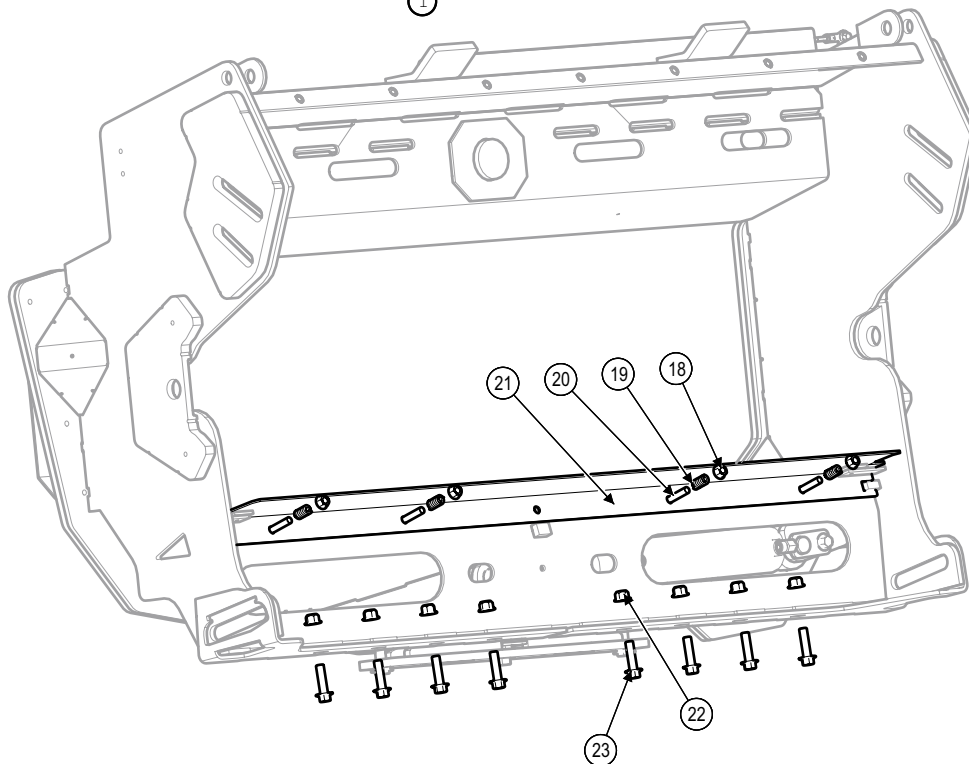
Model JS7010 Hillco Leveling System
For Serial Numbers JS7010-15001 thru JS7010-15999

TRANSITION THROAT

Front



Back



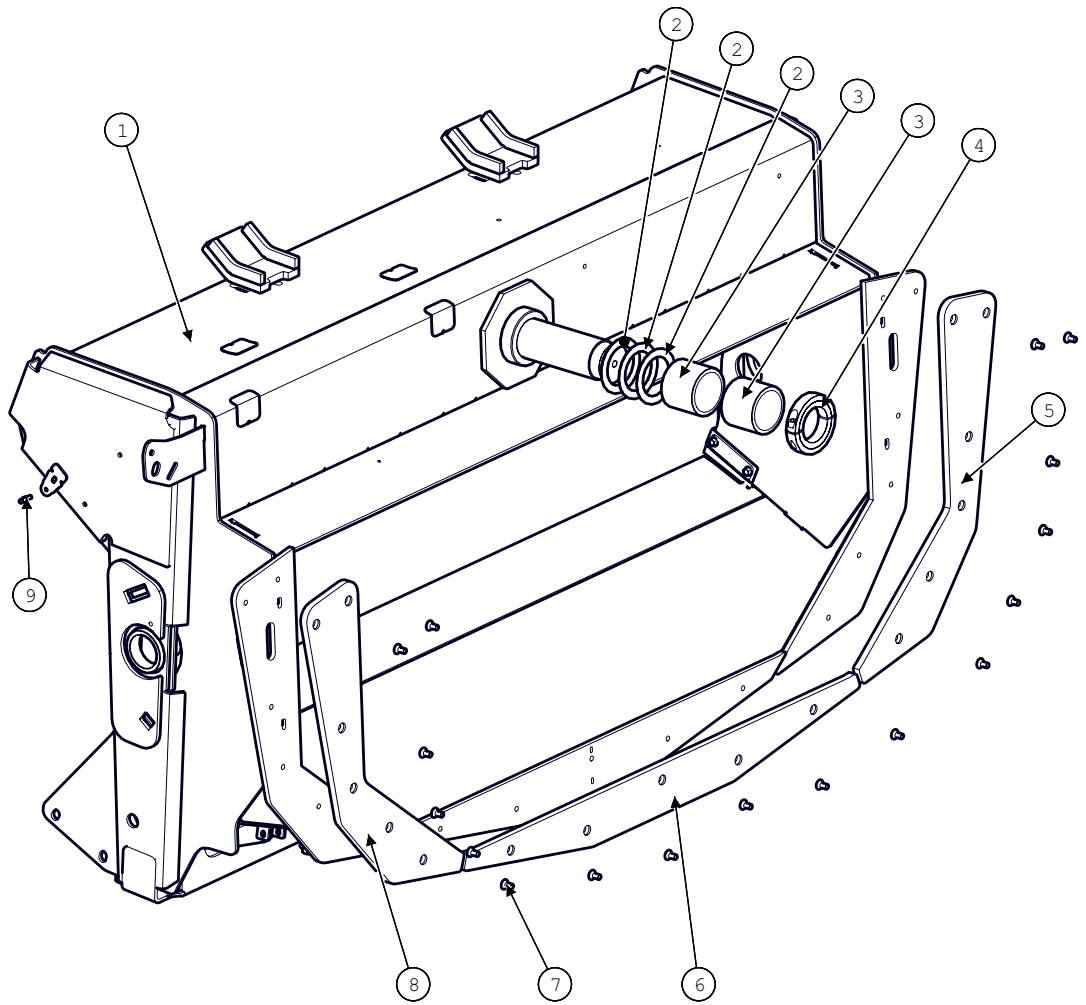
Model JS7010 Hillco Leveling System
For Serial Numbers JS7010-15001 thru JS7010-15999

| Transition Throat | | | |
|--------------------------|-----------------|------------|---|
| BOM ID | Part No. | Qty | Description |
| 1 | 1250571 | 1 | RIGHT WEARPAD |
| 3 | 146641 | 3 | LINK, OFFSET COUPLER CA557 |
| 4 | 146391 | 6 | LINK, FEMALE, CA557 |
| 5 | 146381 | 4 | CHAIN LINK WITH K6 SIDEBAR |
| 6 | 140261 | 3 | COUPLER, CA557 CHAIN LINK |
| 7 | 120.01 | 8 | BOLT,HX,CL10.9 M10 |
| 8 | 126.01 | 8 | NUT,HX,STV,CL10 M10 |
| 9 | 146402 | 2 | SLAT, CAST (See previous pages for more slat options) |
| 10 | 1290461 | 1 | THROAT, SIDEHILL |
| 11 | 1269141 | 2 | FEEDR DRUM ARM (10" - See previous pages for more drum arm options) |
| 12 | 162.014.040 | 3 | BUSHING,MACH,NR |
| 13 | 10133.06.00040 | 2 | TM, GRAPHITE MICARTA |
| 14 | 150742 | 1 | COLLAR,CLAMPING,2-1/2 ID 3-3/4 OD, 2 PIECE HEAVY |
| 15 | 1250561 | 1 | LEFT WEARPAD |
| 16 | 164.008 | 17 | SCREW,FHSC,CL10.9 M8X16 |
| 17 | 1250581 | 1 | BOTTOM WEARPAD |
| 18 | 125.01 | 4 | NUT,HX,NYL,CL10 M10 |
| 19 | 143591 | 4 | SPRING, COMPRESSION |
| 20 | 163.010.060 | 4 | BOLT,CARR,CL8.8 M10 |
| 21 | 1313751 | 1 | FLEX FLOOR |
| 22 | 128.012 | 8 | NUT,HX,FL,STV,CL10 M12 |
| 23 | 122.012.045 | 8 | BOLT,HX,FL,CL10.9 M12X45 |

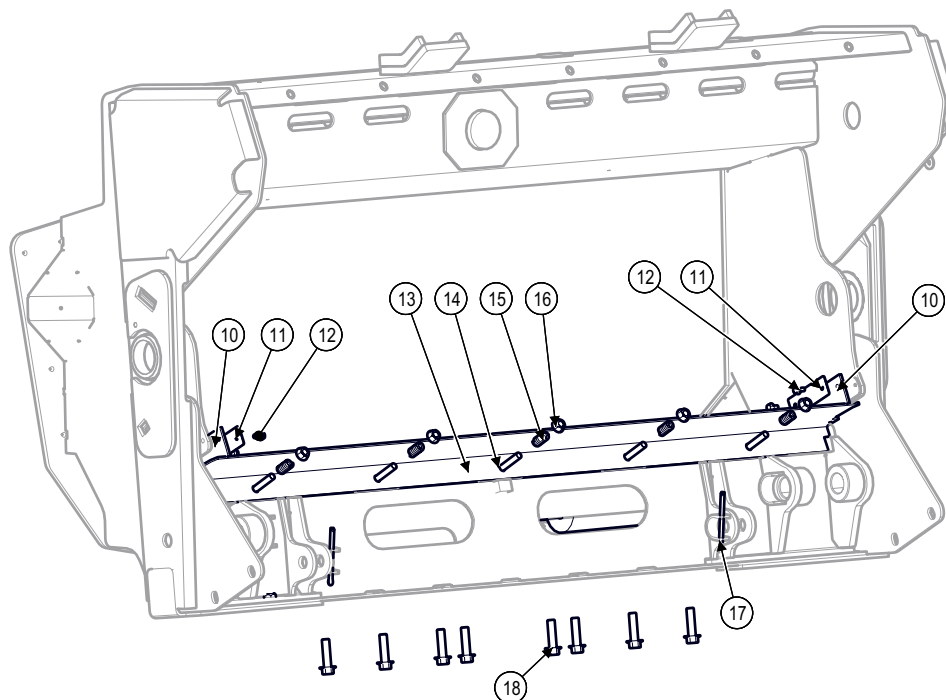
Model JS7010 Hillco Leveling System
For Serial Numbers JS7010-15001 thru JS7010-15999

TRANSITION THROAT - HYDRAULIC FORE/AFT

Front



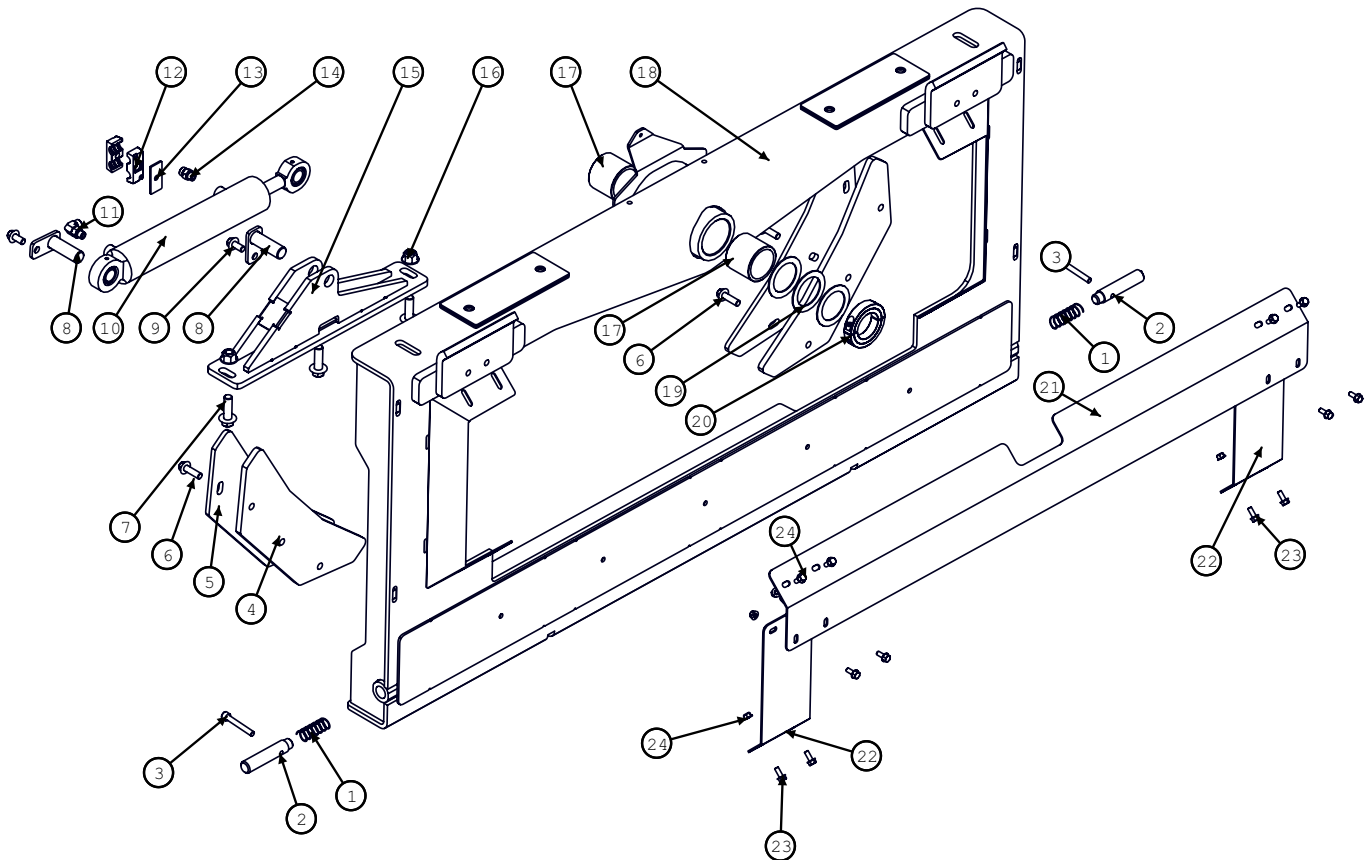
Back



Model JS7010 Hillco Leveling System
For Serial Numbers JS7010-15001 thru JS7010-15999

| Transition Throat - Hydraulic Fore/Aft | | | |
|---|-----------------|------------|--|
| BOM ID | Part No. | Qty | Description |
| 1 | 1318241 | 1 | THROAT, SIDEHILL |
| 2 | 162.014.040 | 3 | BUSHING,MACH,NR |
| 3 | 10133.06.00040 | 2 | TM, GRAPHITE MICARTA |
| 4 | 150742 | 1 | COLLAR,CLAMPING,2-1/2 ID 3-3/4 OD, 2 PIECE HEAVY |
| 5 | 1250561 | 1 | LEFT WEARPAD |
| 6 | 1250581 | 1 | BOTTOM WEARPAD |
| 7 | 164.008.016 | 17 | SCREW,FHSC,CL10.9 M8X16 |
| 8 | 1250571 | 1 | RIGHT WEARPAD |
| 9 | 151341 | 1 | BALL STUD |
| 10 | 1323251 | 2 | SEAL |
| 11 | 1323241 | 2 | STIFFENER, SEAL |
| 12 | 122.006.012 | 3 | BOLT,HX,FL,CL10.9 M6X12 |
| 13 | 1318882 | 1 | FLEX FLOOR |
| 14 | 163.010.060 | 5 | BOLT,CARR,CL8.8 M10 |
| 15 | 143591 | 5 | SPRING, COMPRESSION |
| 16 | 125.01 | 5 | NUT,HX,NYL,CL10 M10 |
| 17 | 142.004.048 | 2 | PIN,COTTER 1/4 |
| 18 | 122.012.04 | 9 | BOLT,HX,FL,CL10.9 M12X4 |

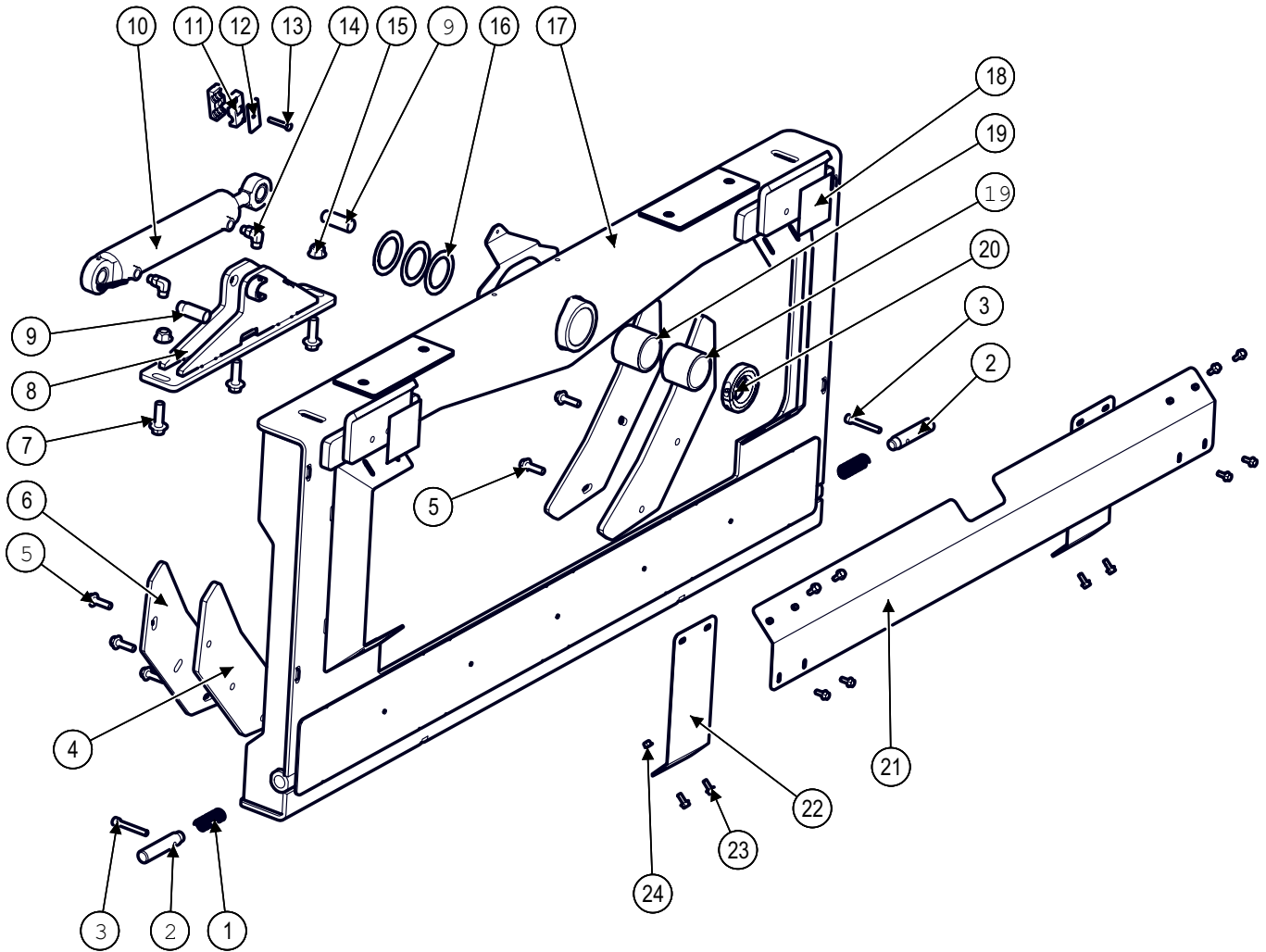
TRANSITION HEADER ADAPTER



Model JS7010 Hillco Leveling System
For Serial Numbers JS7010-15001 thru JS7010-15999

| Transition Header Adapter | | | |
|----------------------------------|-----------------|------------|---------------------------------|
| BOM ID | Part No. | Qty | Description |
| 1 | 135531 | 2 | SPRING, COMPRESSION |
| 2 | 1229193 | 2 | LOCKOUT PIN |
| 3 | 195.010.070 | 2 | SCREW,SHC,CL10.9 M10X70 |
| 4 | 1250551 | 2 | BACKING WEARPAD |
| 5 | 1250541 | 2 | BACKING PLATE |
| 6 | 122.012.040 | 6 | BOLT,HX,FL,CL10.9 M12X40 |
| 7 | 122.016.050 | 3 | BOLT,HX,FL,CL10.9,M16X50 |
| 8 | 1253883 | 2 | CYLINDER PIN |
| 9 | 122.012.025 | 2 | BOLT,HX,FL,CL10.9 M12X25 |
| 10 | 138582 | 1 | CYLINDER 2-1/2 X 10 |
| 11 | 1003.06.06 | 1 | -6MORB X -6MORFS |
| 12 | 139431 | 2 | CLAMP, 3/4" TWIN BEHRINGER PAIR |
| 13 | 139451 | 1 | COVER PLATE,TWIN |
| 14 | 1001.06.06 | 1 | HEADER ADAPTER, STR |
| 15 | 1250713 | 1 | SLAVE CYL ROD MOUNT |
| 16 | 128.016 | 2 | NUT,HX,FL,STV,CL10 M16 |
| 17 | 10133.06.00040 | 2 | TM, GRAPHITE MICARTA |
| 18 | 1250165 | 1 | HEADER ADAPTER |
| 19 | 162.014.040 | 3 | BUSHING,MACH,NR |
| 20 | 150742 | 1 | COLLAR, CLAMPING |
| 21 | 1250522 | 1 | TOP SHIELD |
| 22 | 1250534 | 2 | SIDE SHIELD |
| 23 | 122.008.020 | 12 | BOLT,HX,FL,CL10.9 M8X20 |
| 24 | 128.008 | 12 | NUT,HX,FL,STV,CL10 M8 |

TRANSITION HEADER ADAPTER - HYDRAULIC FORE/AFT



Model JS7010 Hillco Leveling System
For Serial Numbers JS7010-15001 thru JS7010-15999

| Transition Header Adapter - Hydraulic Fore/Aft | | | |
|---|-----------------|------------|--|
| BOM ID | Part No. | Qty | Description |
| 1 | 135531 | 2 | SPRING, COMPRESSION |
| 2 | 1229193 | 2 | LOCKOUT PIN |
| 3 | 195.010.070 | 2 | SCREW,SHC,CL10.9 M10X70 |
| 4 | 1250551 | 2 | BACKING WEARPAD |
| 5 | 122.012.040 | 6 | BOLT,HX,FL,CL10.9 M12X40 |
| 6 | 1250541 | 2 | BACKING PLATE |
| 7 | 122.016.050 | 3 | BOLT,HX,FL,CL10.9,M16X50 |
| 8 | 1320941 | 1 | CYLINDER MOUNT, |
| 9 | 1320891 | 2 | PIN, 1" X 2-1/2 |
| 10 | 138582 | 1 | CYLINDER 2-1/2 X 10 |
| 11 | 139431 | 1 | CLAMP, 3/4" TWIN BEHRINGER PAIR |
| 12 | 139451 | 1 | COVER PLATE,TWIN |
| 13 | 170.008.045 | 1 | BOLT,HX,CL8.8 M8X45 |
| 14 | 1003.06.06 | 2 | -6MORB X -6MORFS |
| 15 | 128.016 | 2 | NUT,HX,FL,STV,CL10 M16 |
| 16 | 162.014.040 | 3 | BUSHING,MACH,NR |
| 17 | 1320921 | 1 | HEADER ADAPTER |
| 18 | 100784 | 2 | LABEL, PINCH POINT |
| 19 | 10133.06.00040 | 2 | TM, GRAPHITE MICARTA |
| 20 | 150742 | 1 | COLLAR,CLAMPING,2-1/2 ID 3-3/4 OD, 2 PIECE HEAVY |
| 21 | 1250522 | 1 | TOP SHIELD |
| 22 | 1250534 | 2 | SIDE SHIELD |
| 23 | 122.008.020 | 12 | BOLT,HX,FL,CL10.9 M8X20 |
| 24 | 128.008 | 12 | NUT,HX,FL,STV,CL10 M8 |

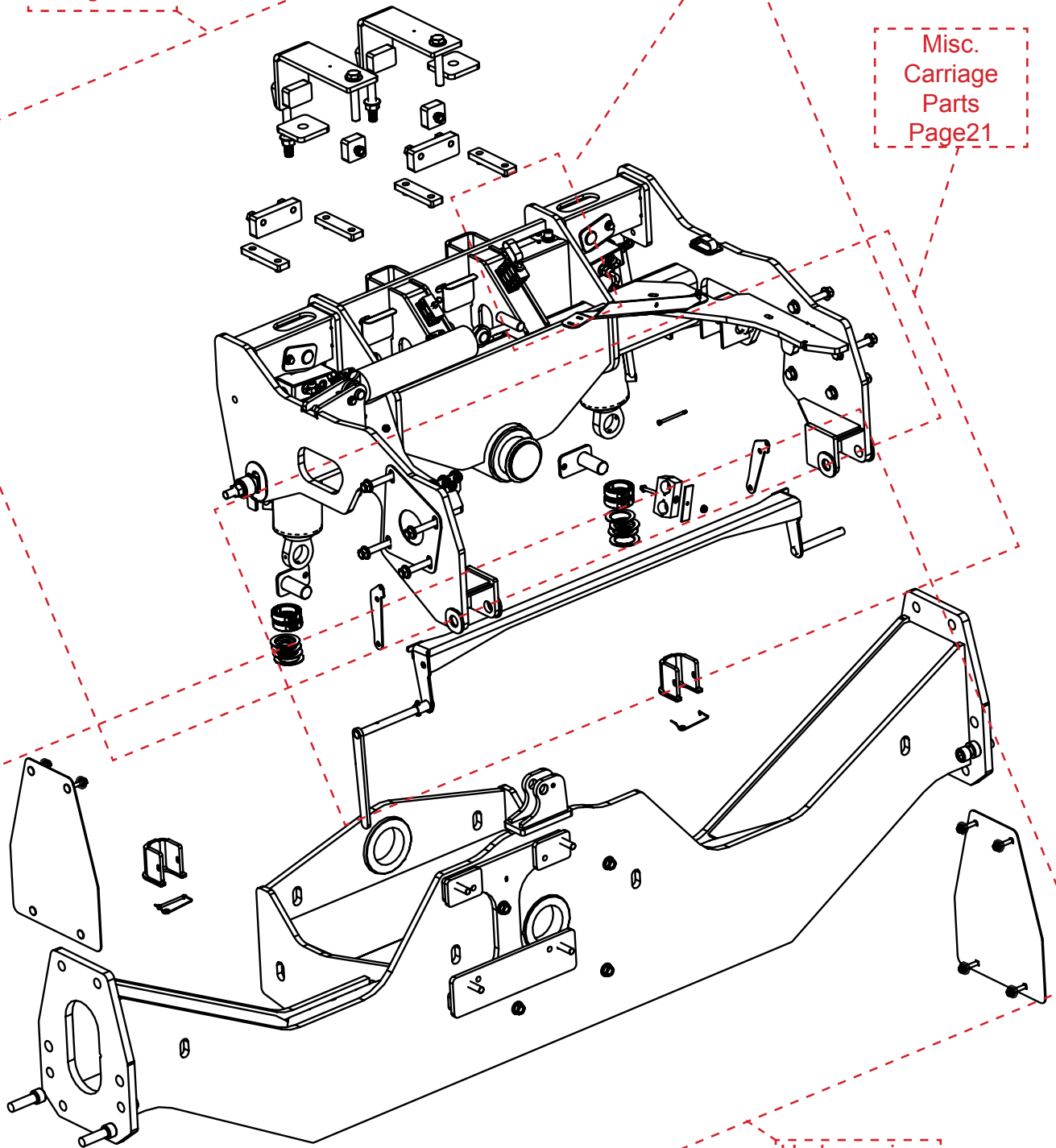
Model JS7010 Hillco Leveling System
For Serial Numbers JS7010-15001 thru JS7010-15999

Carriage

Overcarriage
Page 17

Carriage
Position Sensor
Page 22

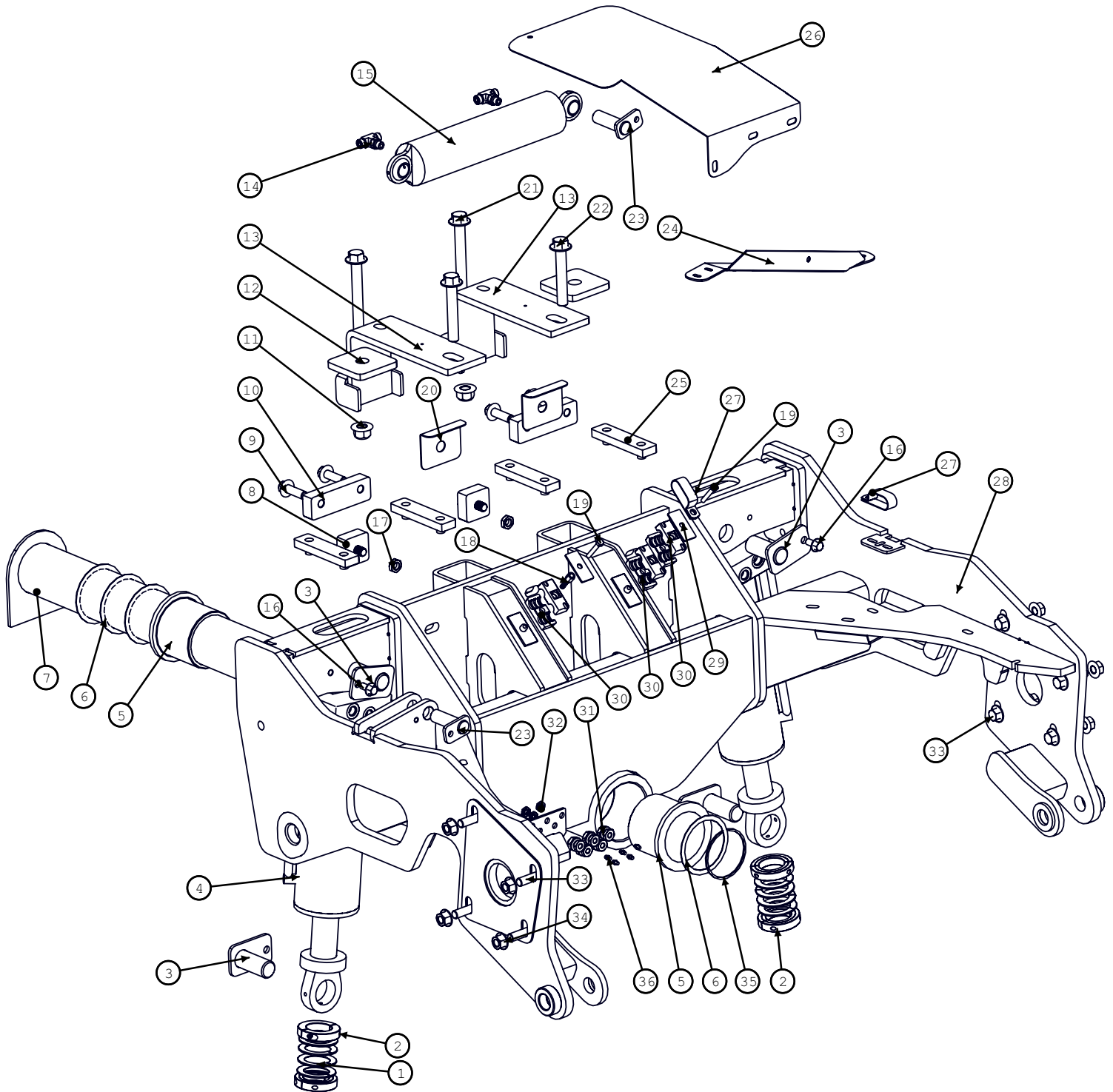
Misc.
Carriage
Parts
Page 21



Undercarriage
Page 19

Model JS7010 Hillco Leveling System
For Serial Numbers JS7010-15001 thru JS7010-15999

Overcarriage

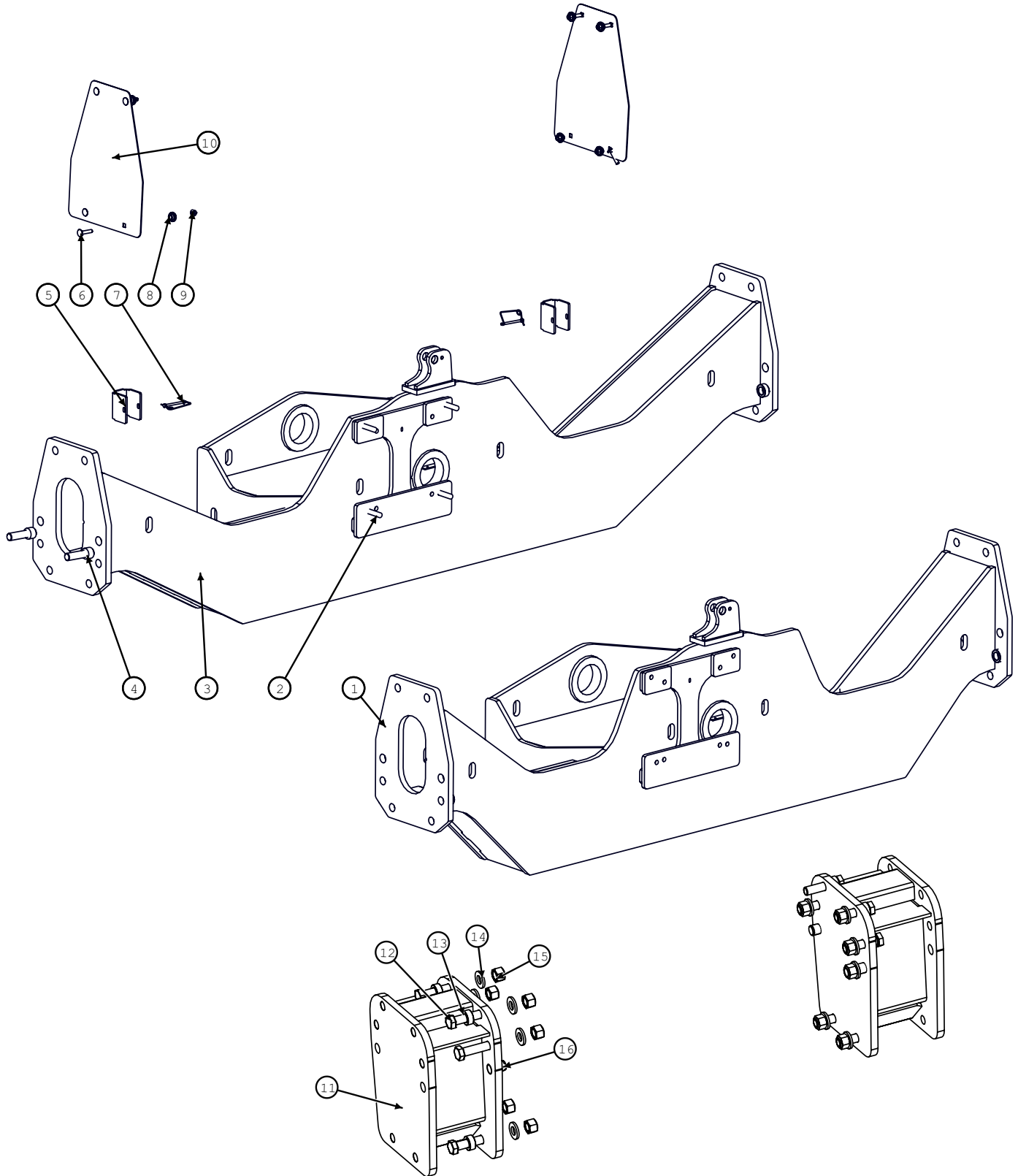


Model JS7010 Hillco Leveling System
For Serial Numbers JS7010-15001 thru JS7010-15999

| Overcarriage | | | |
|---------------------|-----------------|------------|---------------------------------|
| BOM ID | Part No. | Qty | Description |
| 1 | 137501 | 8 | WASHER, QUICK REPAIR |
| 2 | 153241 | 4 | COLLAR, CLAMPING |
| 3 | 1230552 | 4 | PIN, MAIN CYLINDER |
| 4 | 151002 | 2 | CYLINDER, CB VALVE, |
| 5 | 1247961 | 2 | PIVOT BUSHING |
| 6 | 138641 | 4 | 4.016ID X 4.7640D X 048 |
| 7 | 1291351 | 1 | PIVOT PIN |
| 8 | 1293951 | 2 | UPPER CARRIAGE SHIM |
| 9 | 122.016.050 | 4 | BOLT,HX,FL,CL10.9,M16X50 |
| 10 | 1293911 | 2 | CARRIAGE LOCK (7010) |
| 11 | 128.02 | 2 | NUT,HX,FL,STV,CL10 M20 |
| 12 | 1297901 | 2 | SPACER, TUBE CLAMP |
| 13 | 1293631 | 2 | AXLE CLAMP |
| 14 | 1009.06 | 2 | STR THD, BRANCH, |
| 15 | 140342 | 1 | CYLINDER, CROSS PORT |
| 16 | 122.012.025 | 2 | BOLT,HX,FL,CL10.9 M12X25 |
| 17 | 165.016 | 2 | NUT,HX,JAM,CL8 M16 |
| 18 | 139471 | 1 | STACK BOLT, BEHRINGER |
| 19 | 101.005.032 | 2 | BOLT,HX,GR5 5/16-18X2 |
| 20 | 1270042 | 2 | CARRIAGE SHIM |
| 21 | 122.020.220 | 2 | BOLT,HX,FL,CL10.9 M20 |
| 22 | 122.020.120 | 2 | BOLT,HX,FL,CL10.9 M20 |
| 23 | 1229071 | 2 | CYLINDER PIN, TRIM |
| 24 | 1274901 | 1 | SUPPORT, HYDRO HOSE |
| 25 | 1293921 | 4 | LOWER CARRIAGE SHIM |
| 26 | 1274252 | 1 | TABLE, HYDRO HOSE |
| 27 | 147781 | 2 | CLAMP 1/4" DOUBLE LOOP 3/8HOLE |
| 28 | 1291332 | 1 | OVERCARRIAGE |
| 29 | 139451 | 2 | COVER PLATE,TWIN |
| 30 | 139431 | 3 | CLAMP, 3/4" TWIN BEHRINGER PAIR |
| 31 | 155157 | 5 | BULKHEAD,GREASE,STR, |
| 32 | 155158 | 5 | BULKHEAD,LOCKNUT |
| 33 | 122.016.060 | 8 | BOLT, HX, FL, CL10.9, M16X60 |
| 34 | 123.016 | 8 | NUT,HX,FL,CL10 M16 |
| 35 | 138651 | 1 | SNAP RING; 4" |
| 36 | 138011 | 5 | ZERK,STR, 1/4-28MTAPER |

Model JS7010 Hillco Leveling System
For Serial Numbers JS7010-15001 thru JS7010-15999

Undercarriage

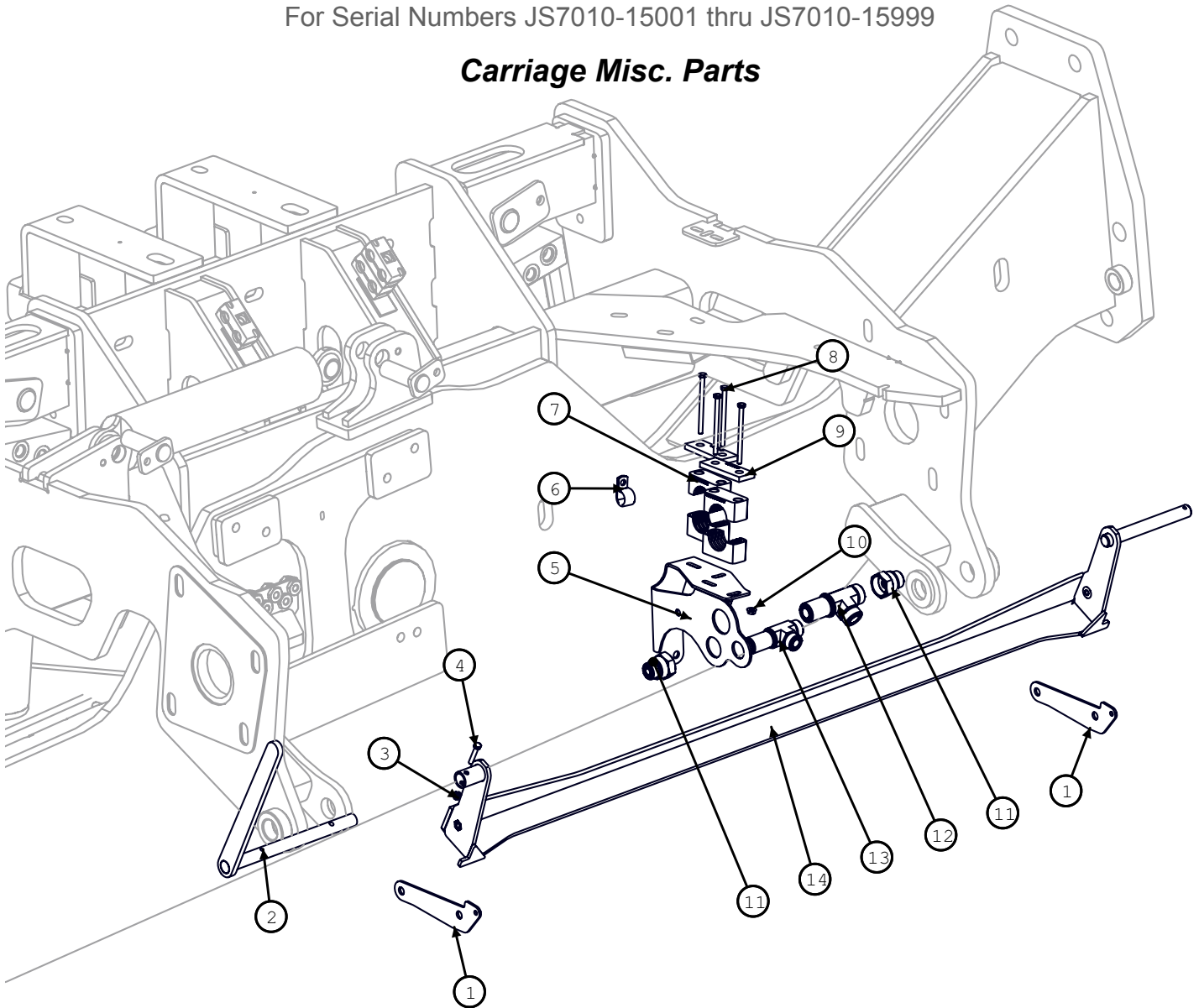


Model JS7010 Hillco Leveling System
For Serial Numbers JS7010-15001 thru JS7010-15999

| Undercarriage | | | |
|----------------------|-----------------|------------|--------------------------------------|
| BOM ID | Part No. | Qty | Description |
| 1 | 1292921 | 1 | UNDERCARRIAGE, NARROW, 96.25", |
| 2 | 155.016 | 4 | STUD, DOUBLE-10.9 |
| 3 | 1290811 | 1 | UNDERCARRIAGE, WIDE, 114.75" |
| 4 | 159.024.080 | 2 | SCREW,SHC,CL12.9 M24 |
| 5 | 1307161 | 2 | CYLINDER STOP |
| 6 | 163.010.050 | 7 | BOLT,CARR,CL8.8 M10 |
| 7 | 146.004.048 | 2 | PIN,SNAP,LCK |
| 8 | 151021 | 8 | BUSHING, PLASTIC |
| 9 | 123.01 | 8 | NUT,HX,FL,CL10 M10 |
| 10 | 1293831 | 2 | CAP, AXLE |
| 11-16 | LA-253141 | 1 | NARROW UNDERCARRIAGE AXLE EXTENSIONS |
| 11 | LA-253132 | 2 | LM WLD, 9.25 AXLE EXTENSION |
| 12 | F-HC-24M100E | 12 | M24 X 3 X 110 HEX CAP |
| 13 | LM-266382 | 8 | CU TM, SPACER-FINAL DRIVE |
| 14 | MC-141121 | 12 | FW M25.4 X 50.0 X 6.0 |
| 15 | F-HNS-24ME | 12 | STOVER NUT 24MX3 |
| 16 | LM-253871 | 4 | LM RND, DOWEL |

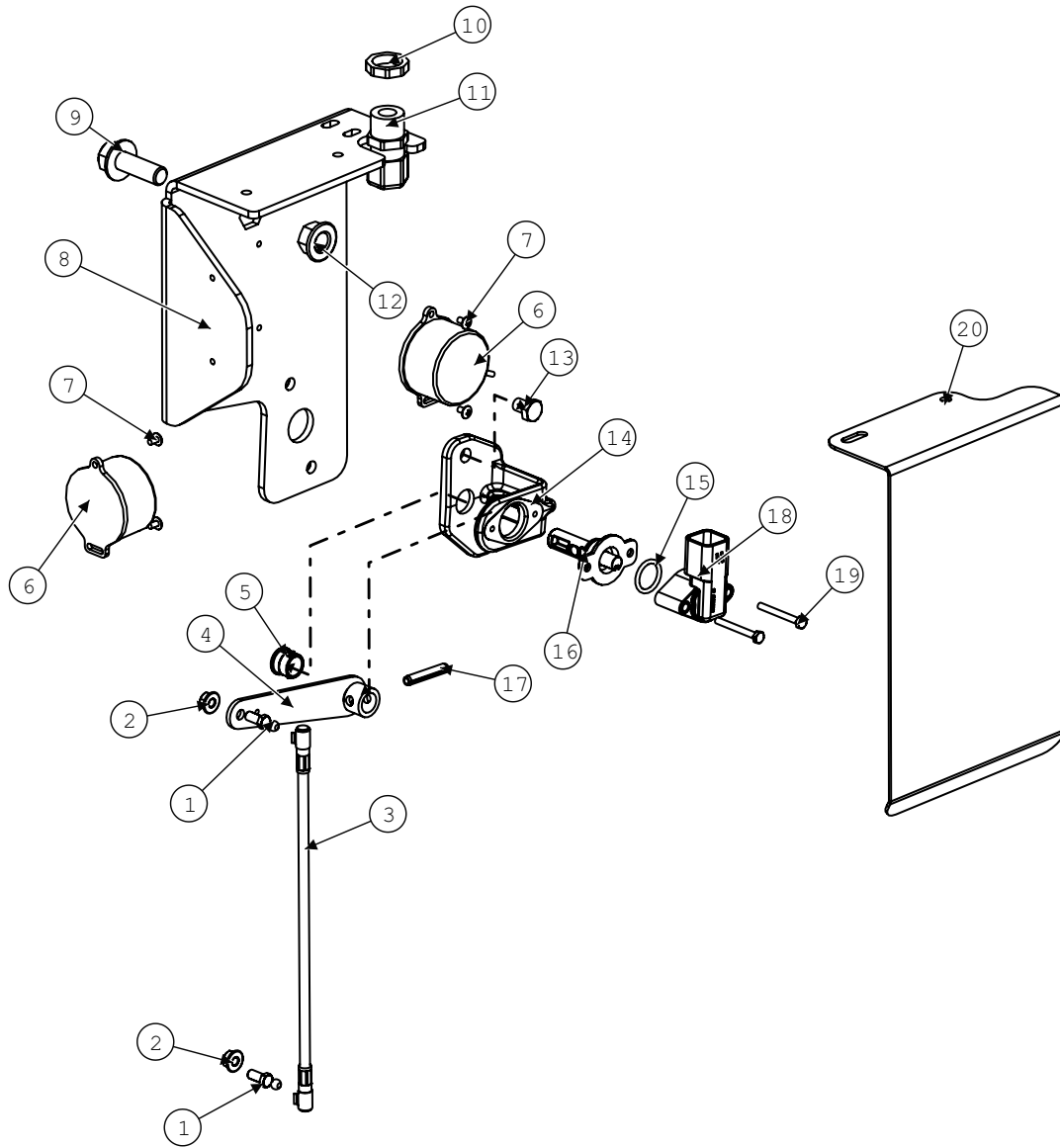
Model JS7010 Hillco Leveling System
 For Serial Numbers JS7010-15001 thru JS7010-15999

Carriage Misc. Parts



| Overcarriage Misc. | | | |
|--------------------|-------------|-----|----------------------------|
| BOM ID | Part No. | Qty | Description |
| 1 | 1290741 | 2 | LINKAGE, UPPER |
| 2 | 1264501 | 1 | HANDLE, ROCK TRAP |
| 3 | 191.006 | 1 | NUT,HX,NYL,CL8 M6 |
| 4 | 121.006.035 | 1 | BOLT,HX,CL10.9 M6X35 |
| 5 | 1297312 | 1 | HEADER LIFT BULKHEAD |
| 6 | 135791 | 1 | CLAMP, HOSE |
| 7 | 148251 | 2 | STD. CLAMP |
| 8 | 170.006.090 | 4 | BOLT,HX,CL8.8 M6X90 |
| 9 | 148261 | 2 | STANDARD COVER PLATE |
| 10 | 123.006 | 4 | NUT,HX,FL,CL10 M6 |
| 11 | 1004.12.10 | 2 | SWIVEL NUT, |
| 12 | 1034.12 | 1 | HA,TEE,BKHD,RUN |
| 13 | 1034.1 | 1 | HA, TEE, BKHD, RUN,-10ORFS |
| 14 | 1264511 | 1 | LINKAGE, CROSS |

Carriage Position Sensor

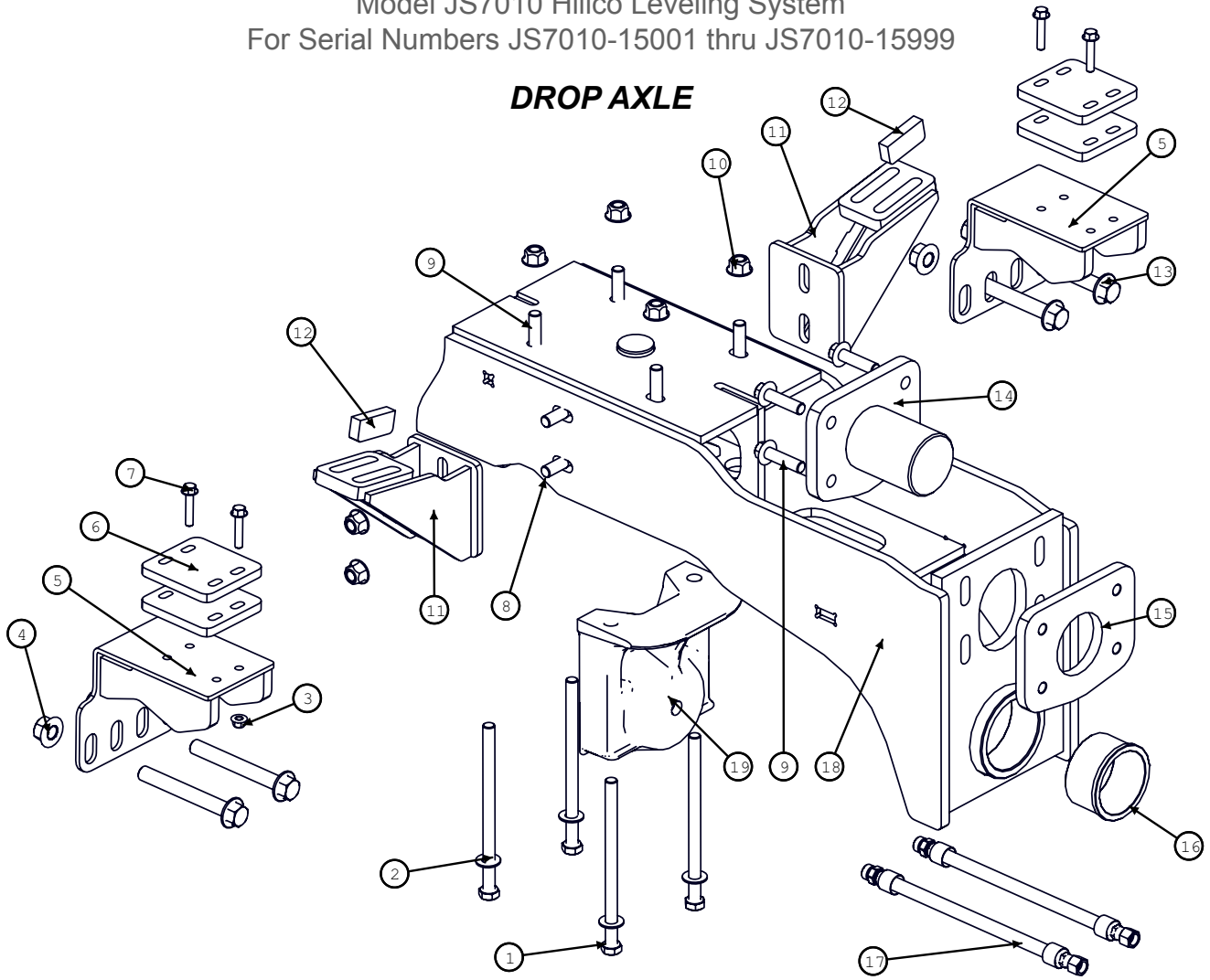


Model JS7010 Hillco Leveling System
For Serial Numbers JS7010-15001 thru JS7010-15999

| Carriage Position Sensor | | | | |
|---------------------------------|------------------------|----------------------------|------------|--|
| BOM ID | Hillco Part No. | John Deere Part No. | Qty | Description |
| 1 | 151341 | H168732 | 2 | BALL STUD (H168732) |
| 2 | 123.006 | - | 2 | FLHN-10.9M6X1.00 |
| 3 | 151331 | AH226146 | 1 | LINKAGE, POSITION (AH226146) |
| 4 | 151371 | AXE17303 | 1 | ARM, ASSY, TILT SENSOR, HM (axe17303) |
| 5 | 151361 | R41076 | 1 | BUSHING, (R41076) |
| 6 | 141841 | - | 2 | EM ASM, CLINOMETER (Only 1 used on Sidehill's) |
| 7 | 115.#06.004 | - | 4 | PHMS #6-32X1/4 |
| 8 | 1295142 | - | 1 | EM SHT, SENSOR MNT, CLINOMETER |
| 9 | 122.012.035 | - | 1 | FLHC 10.9 M12 X 1.75 X 35 PLT |
| 10 | 142121 | - | 1 | STRAIN RELIEF NUT, 1/2" BLACK |
| 11 | 138781 | - | 1 | STRAIN RELIEF, NYLON, BLK, |
| 12 | 123.012 | - | 1 | FLHN-10.9 M12 x 1.75 PLT |
| 13 | 170.008.010 | 19m7008 | 2 | HC-8.8M8X1.25X10 (19m7008) |
| 14 | 151321 | HXE16001 | 1 | BRACKET, SENSOR MNT (HXE16001) |
| 15 | 151391 | P48347 | 1 | O-RING, 11/16ID (P48347) |
| 16 | 151401 | AXE14888 | 1 | SHAFT, ROUGH SERVICE DEVICE (AXE14888) |
| 17 | 201.006.036 | - | 1 | PIN, ROLL 6mm x 36mm |
| 18 | 151381 | AXE14246 | 1 | SENSOR, ROTATION, HALL 2CH +/-120DE (axe14246) |
| 19 | 170.004.035 | 19M9368 | 2 | HC-8.8M4X0.7X035 (19m9368) |
| 20 | 1303151 | - | 1 | EM SHT, SHIELD SENSOR |

Model JS7010 Hillco Leveling System
For Serial Numbers JS7010-15001 thru JS7010-15999

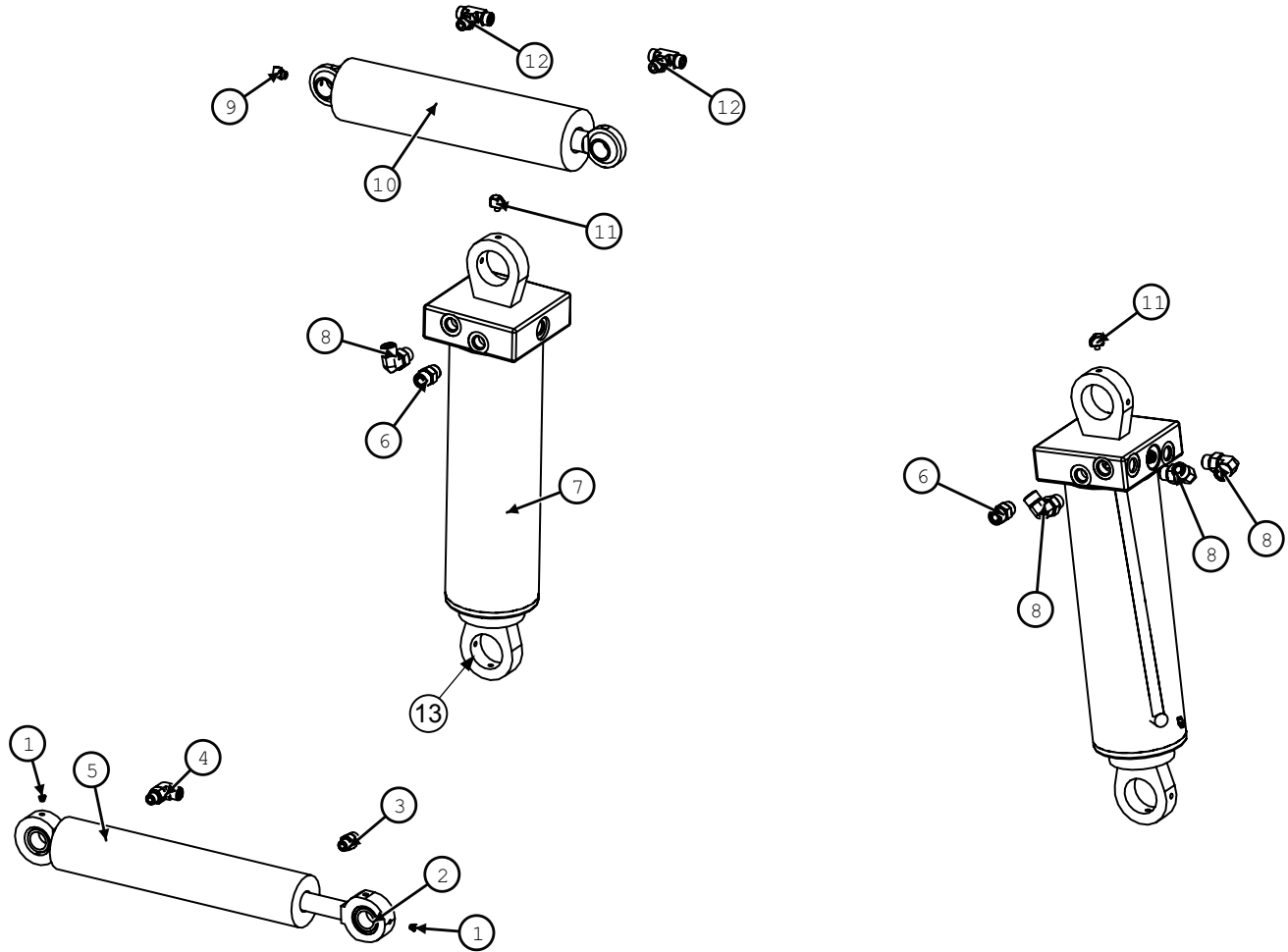
DROP AXLE



| Drop Axle | | | |
|-----------|-------------|-----|------------------------------|
| BOM ID | Part No. | Qty | Description |
| 1 | 121.016.250 | 4 | BOLT,HX,CL10.9 M16X250 |
| 2 | 133.01 | 4 | WASHER,L9,HD 5/8 |
| 3 | 128.01 | 4 | NUT,HX,FL,STV,CL10 M10 |
| 4 | 123.02 | 4 | NUT,HX,FL,CL10 M20 |
| 5 | 1299792 | 2 | ROTATION STOP |
| 6 | 1299892 | 4 | ROTATION STOP 16° |
| 7 | 122.010.050 | 4 | BOLT,HX,FL,CL10.9 M10X50 |
| 8 | 198.016.050 | 4 | BOLT,CARR,CL10.9 M16X50 |
| 9 | 122.016.060 | 8 | BOLT, HX, FL, CL10.9, M16X60 |
| 10 | 128.016 | 12 | NUT,HX,FL,STV,CL10 M16 |
| 11 | 1313541 | 2 | WING |
| 12 | 1313571 | 2 | WING STOP |
| 13 | 122.020.160 | 4 | BOLT,HX,FL,CL10.9 M20 |
| 14 | 1291071 | 1 | PIVOT PIN |
| 15 | 1291091 | 1 | PIVOT LOCK |
| 16 | 1235092 | 1 | BUSHING, PIVOT |
| 17 | 1273461 | 2 | 3/8" R2 #8FF#8MF 15" |
| 18 | 1291022 | 1 | DROP AXLE |
| 19 | 1299801 | 1 | STAND-OFF, REAR AXLE |

Model JS7010 Hillco Leveling System
 For Serial Numbers JS7010-15001 thru JS7010-15999

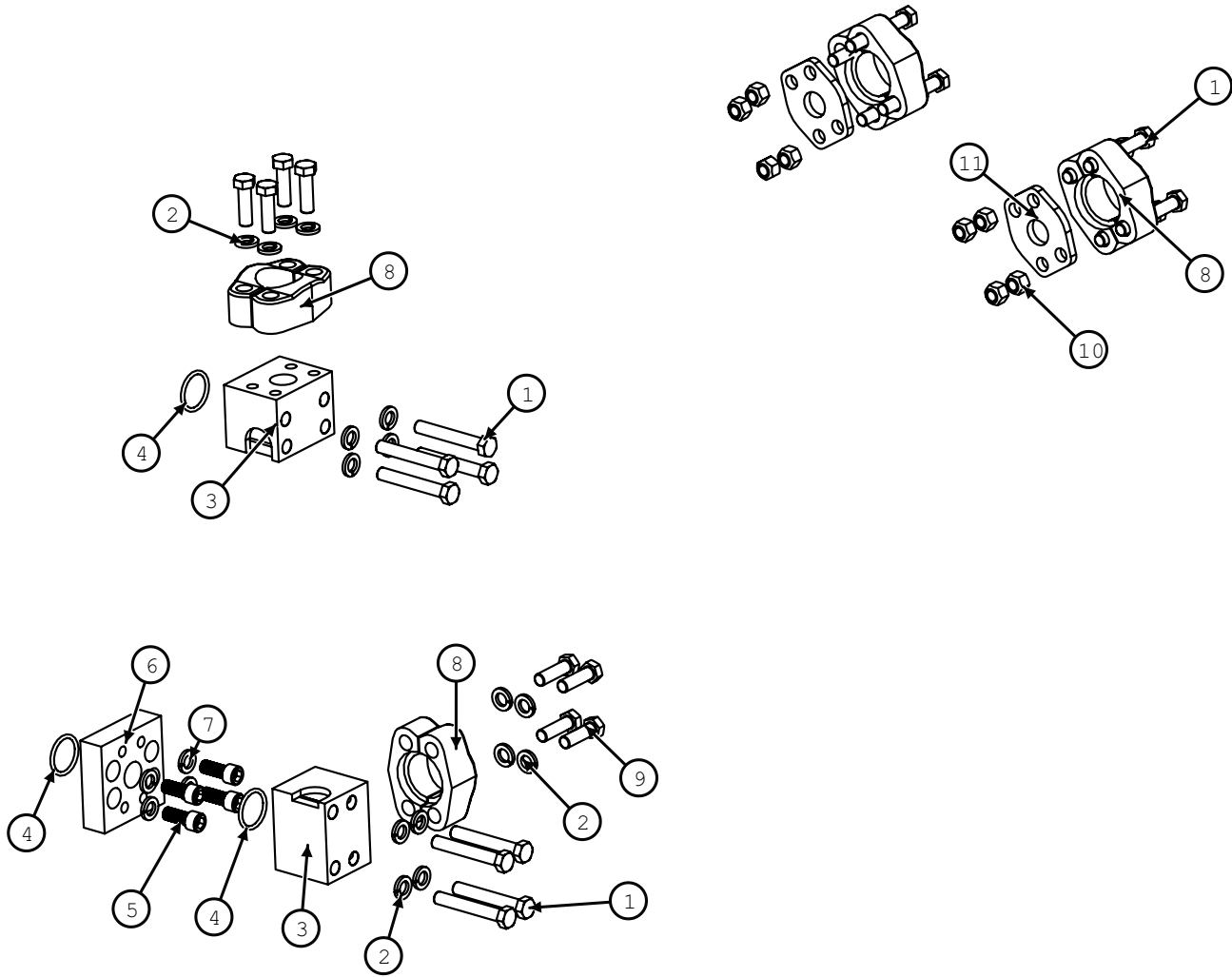
Hydraulic Components



| Hydraulic Cylinders | | | |
|---------------------|------------|-----|---|
| BOM ID | Part No. | Qty | Description |
| 1 | 138011 | 2 | ZERK, GREASE 1/4-28 STR |
| 2 | MC-140321 | 2 | BEARING, SEALED SPHERICAL-1 IN |
| 3 | 1001.06.06 | 1 | STR -6MORB X -6MORS |
| 4 | 1003.06.06 | 1 | ELBOW, 90°, 6MF x 6MO |
| 5 | 138582 | 1 | CLY 2-1/2X10, INLINE PORTS |
| NS | HC-140321 | - | SEAL KIT, SLAVE CYLINDER |
| 6 | 1001.08.08 | 2 | STR, -8MF x -8MO |
| 7 | 151002 | 2 | CYLINDER, CB VALVE, 4-1/2x11, 22-1/2CPC |
| NS | HC-135221 | - | SEAL KIT, LEVELING CYLINDER |
| 8 | 1003.08.08 | 4 | ELBOW, 90°, #8MORS#8MORB |
| 9 | 135771 | 1 | 1/4-28 MALE X 1/8 FPT 90° |
| 10 | 140342 | 1 | CYL, 3"B,8-3/4"S,1-3/8"R, 17-1/4"CPC, CROSS |
| NS | HC-134201 | - | SEAL KIT, MASTER CYLINDER |
| 11 | 135761 | 2 | 1/4-28 MALE X 1/8 FPT 45 DEG |
| 12 | 1009.06 | 2 | TEE, STRAIGHT THREAD, BRANCH -6MF x -6MO |
| 13 | MC-150881 | 4 | 1 3/8" BEARING, SEALED SPHERICAL |

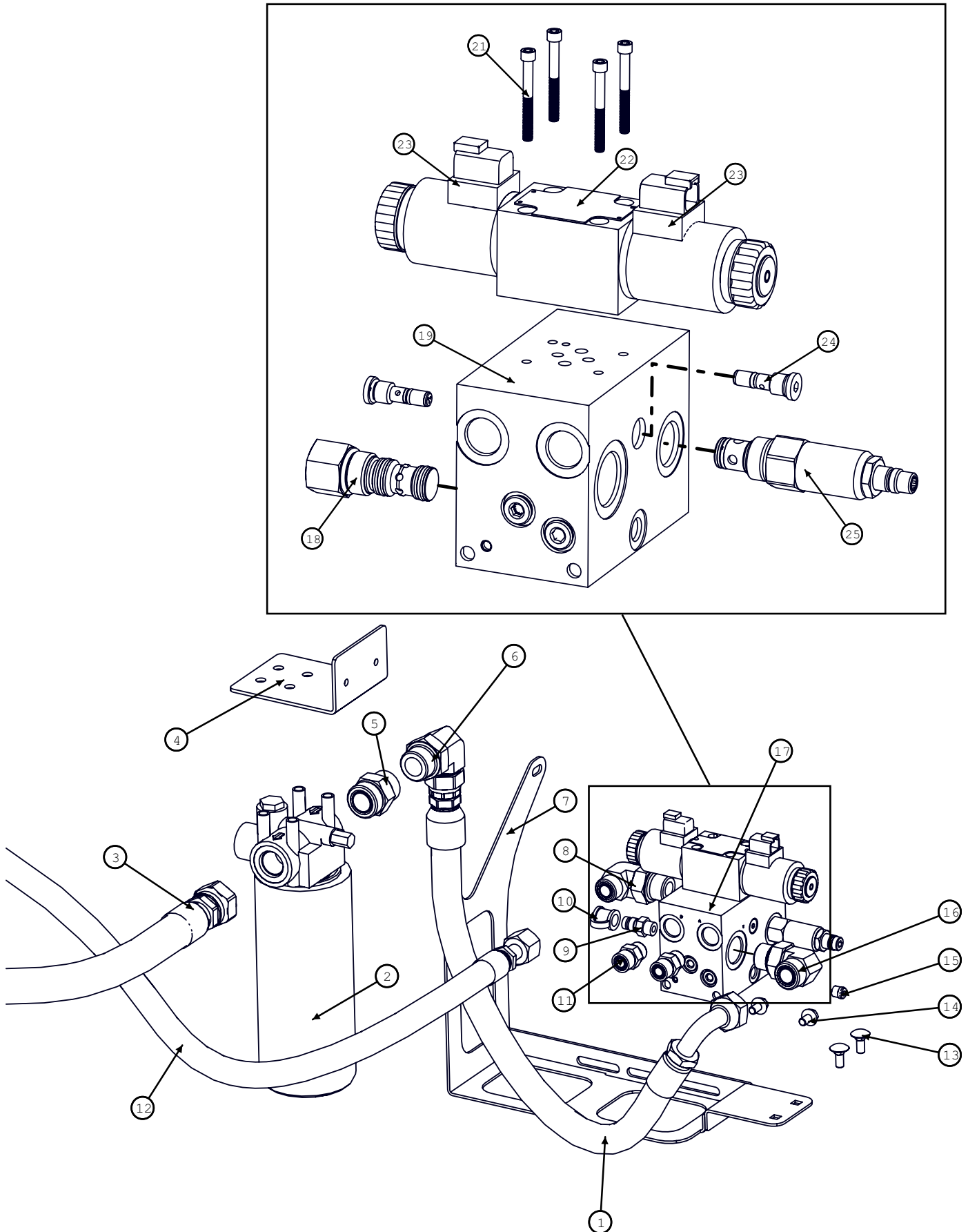
Model JS7010 Hillco Leveling System
 For Serial Numbers JS7010-15001 thru JS7010-15999

Hydro Hose Adapters



| Code 62 Adapters | | | |
|------------------|-------------|-----|------------------------------------|
| BOM ID | Part No. | Qty | Description |
| 1 | 121.012.080 | 16 | HC-10.9M12X1.75X80 |
| 2 | 139.008 | 16 | LW 1/2 HD |
| 3 | 1261082 | 2 | HM BLOCK, CODE 62 90° |
| 4 | 147551 | 3 | O-RING, CODE 62, 1" |
| 5 | 159.012.030 | 4 | SHCS-12.9M12X1.75X30 |
| 6 | 1143372 | 1 | HM ADAPTER, CODE 62 90° ROTATIONAL |
| 7 | 135.008 | 4 | LW 1/2 HD HIGH COLLAR |
| 8 | 147601 | 8 | FLANGE, 1" CODE 62, HALF |
| 9 | 120.012.040 | 8 | HC-10.9M12X1.75X40 |
| 10 | 126.012 | 8 | HN-10.9M8X1.25 STVR |
| 11 | 1272242 | 2 | HM PLT, CODE 62 1" UNION |

Leveling Manifold

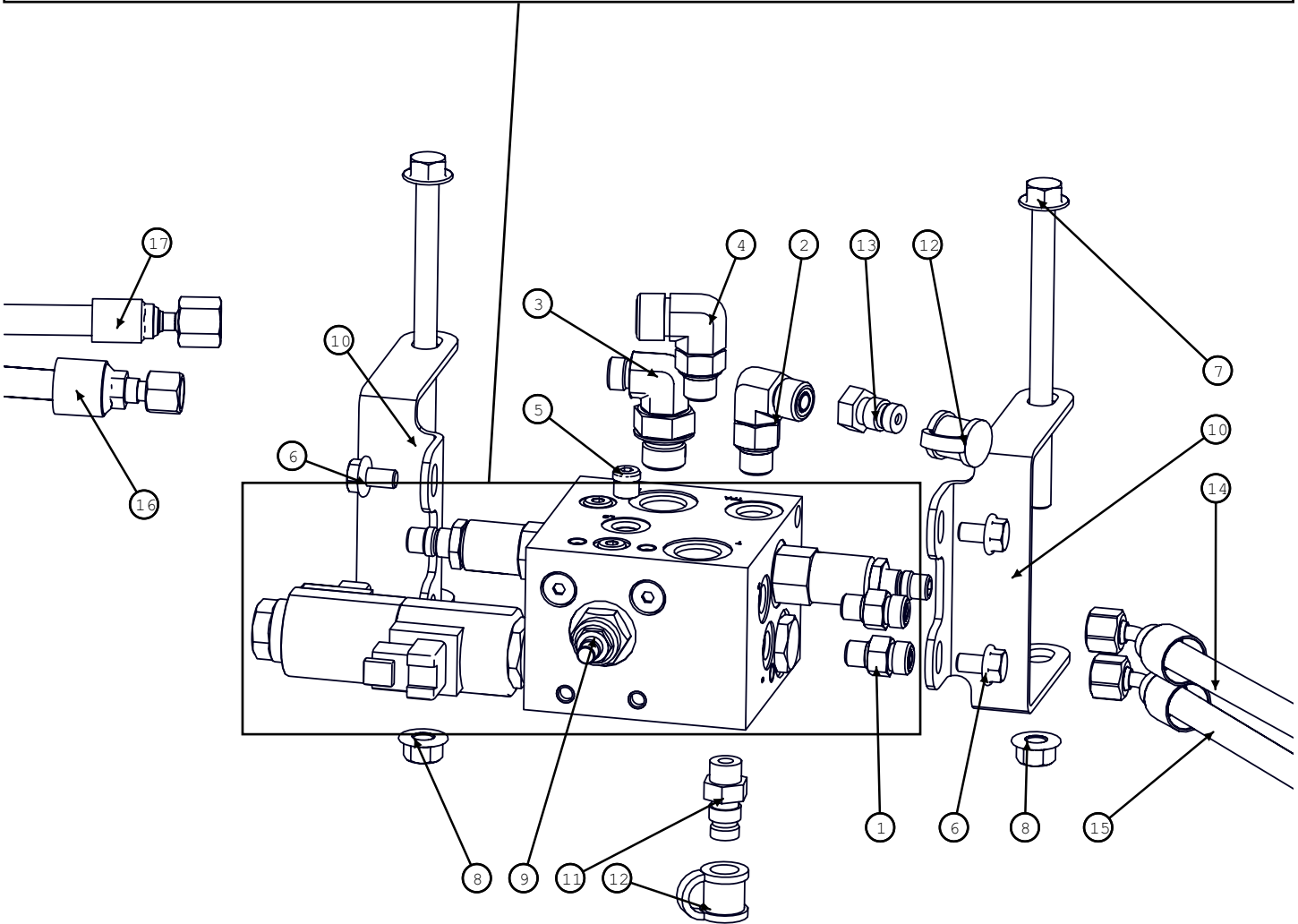
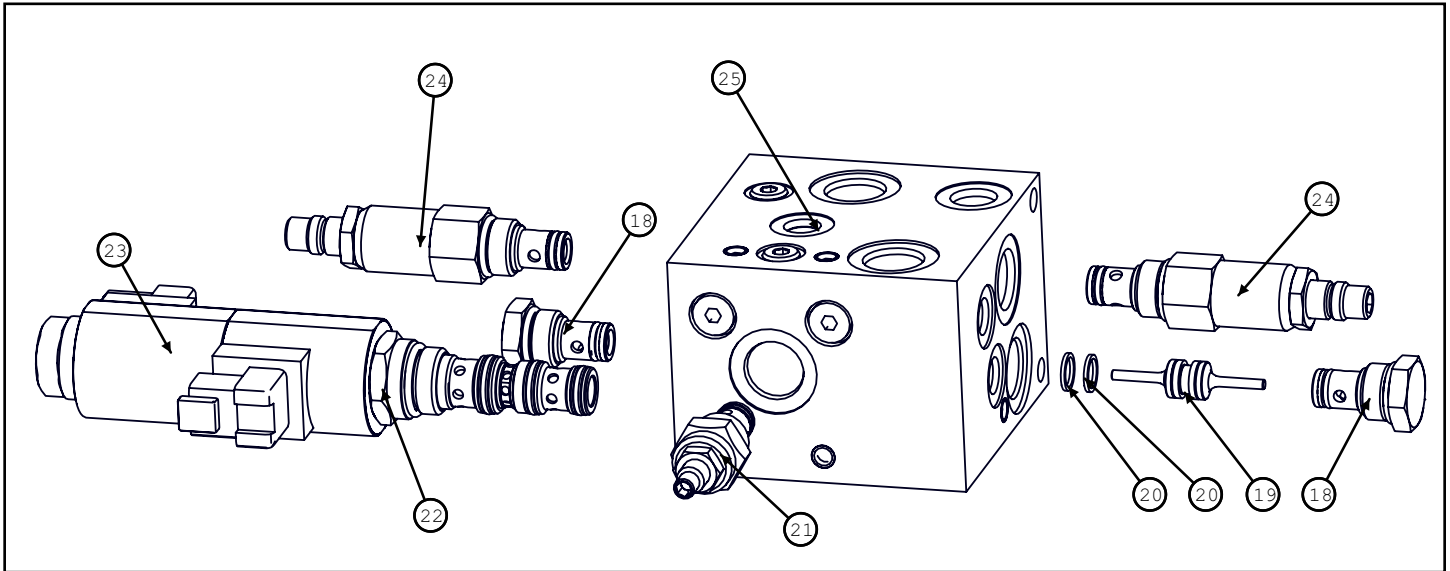


Model JS7010 Hillco Leveling System
For Serial Numbers JS7010-15001 thru JS7010-15999

| Leveling Manifold | | | |
|--------------------------|-----------------|------------|--|
| BOM ID | Part No. | Qty | Description |
| 1 | 1295771 | 1 | HYDRAULIC HOSE FROM MANIFOLD TO FILTER, 100R2-10, 252" 12FORS STR X 12FORS 90° |
| 2 | 143441 | 1 | FILTER ASM, OIL (|
| 3 | 1295781 | 1 | HYDRAULIC HOSE FROM FILTER TO TANK, 100R1-12, 252" 16FORS STR X 16FORS STR |
| 4 | 1296121 | 1 | MOUNT, RETURN FILTER |
| 5 | 1001.16.16 | 1 | -16MORB X -16MORFS |
| 6 | 1003.16.12 | 1 | 16MORB - X-12MORFS |
| 7 | 1313601 | 1 | MANIFOLD MOUNT |
| 8 | 1003.12.10 | 1 | -12MORB X -10MORFS |
| 9 | 143991 | 1 | COUPLER, |
| 10 | 144001 | 1 | DUST COVER |
| 11 | 1001.08.08 | 2 | -8MORB X -8MORFS |
| 12 | 1295741 | 1 | HYDRAULIC HOSE FROM PUMP TO MANIFOLD, 100R2-10, 252", -10FORS 90° X -10FORS STR, |
| 13 | 163.008 | 2 | BOLT,CARR,CL8.8 M8X20 |
| 14 | 111.005 | 2 | BOLT,HX,FL,GR5 5/16-18X1/2 |
| 15 | 1019.04 | 1 | PLUG -4ORB |
| 16 | 1003.12.12 | 1 | -12MORB X -12MORFS |
| 17 | 1309641 | 1 | LEVELING MANIFOLD (SEE 18-25 FOR BREAKDOWN) |
| 18 | 155241 | 1 | LOGIC ELEMENT, HIGH PRESSURE |
| 19 | 155235 | 1 | MANIFOLD VALVE BODY, LEVELING |
| 21 | 196.#10.028 | 4 | SHCS 10-24 X 1.75 |
| 22 | 155237 | 1 | DIRECTIONAL VALVE,PROPORTIONAL (INCLUDES PART NO. 155239) |
| 23 | 155239 | 2 | SOLENOID COIL,D03,PROP,DEUTSCH |
| 24 | 155236 | 2 | CAVITY PLUG, 2 WAY, 10 SERIES |
| 25 | 155240 | 1 | CARTRIDGE, PRESSURE RELIEF |

Model JS7010 Hillco Leveling System
For Serial Numbers JS7010-15001 thru JS7010-15999

Header Trim Manifold

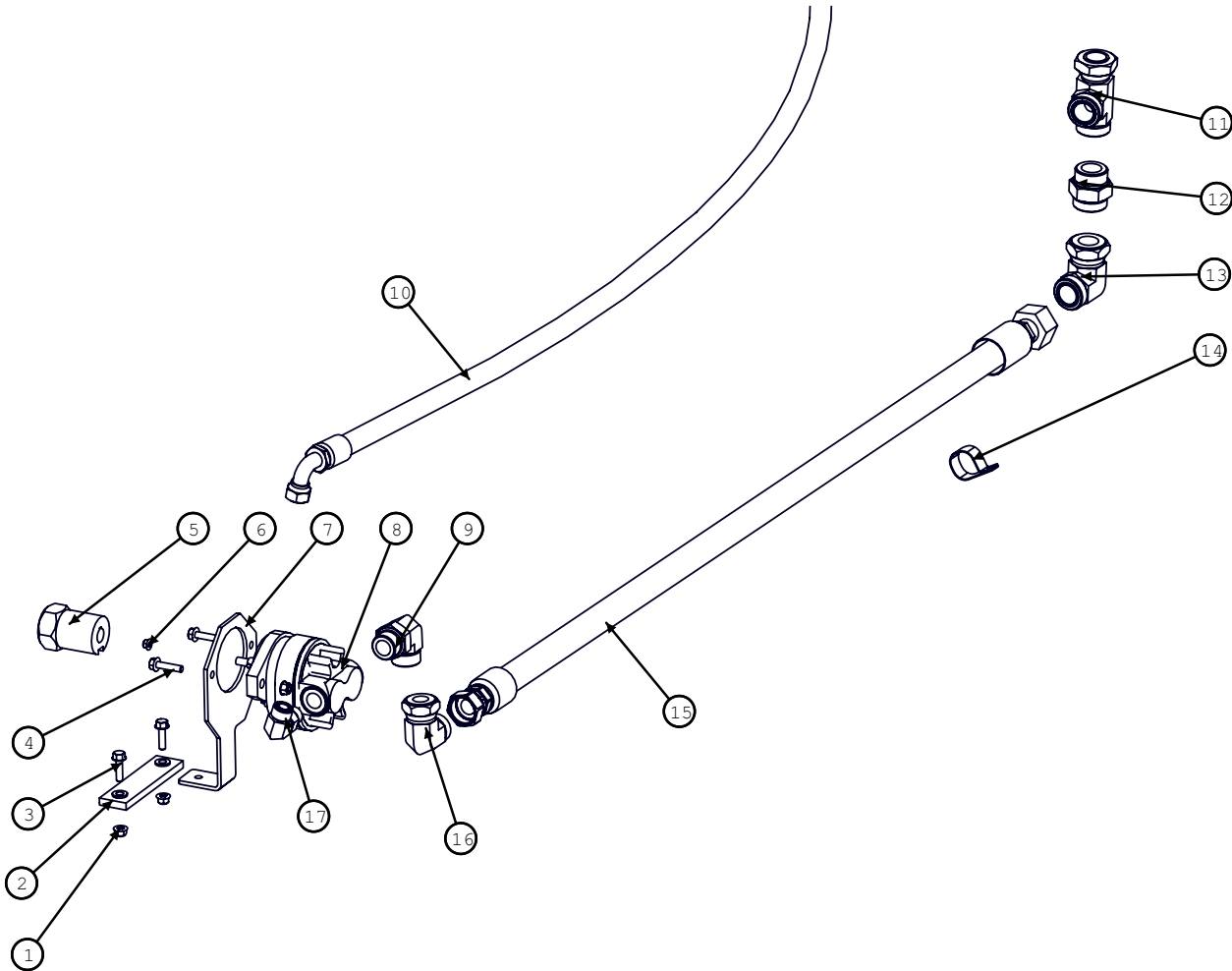


Model JS7010 Hillco Leveling System
For Serial Numbers JS7010-15001 thru JS7010-15999

| Header Trim Manifold | | | |
|-----------------------------|-----------------|------------|--|
| BOM ID | Part No. | Qty | Description |
| 1 | 1001.04.04 | 2 | -4MORB X -4MORFS |
| 2 | 1003.06.06 | 1 | -6MORB X -6MORFS |
| 3 | 1003.08.04 | 1 | -8MORB X -4MORFS |
| 4 | 1003.08.06 | 1 | -8MORB X -6MORFS |
| 5 | 1019.04 | 1 | HA,PLUG,SKT,HD |
| 6 | 111.005 | 4 | BOLT,HX,FL,GR5 5/16-18X1/2 |
| 7 | 122.01 | 2 | BOLT,HX,FL,CL10.9 M10X140 |
| 8 | 123.01 | 2 | NUT,HX,FL,CL10 M10 |
| 9 | 1311571 | 1 | MANIFOLD, CUSTOM, TRIM |
| 10 | 1313632 | 2 | LEG, TRIM MANIFOLD |
| 11 | 143991 | 1 | COUPLER, |
| 12 | 144001 | 2 | DUST COVER |
| 13 | 155173 | 1 | COUPLER, |
| 14 | 1313671 | 1 | CONNECTS TRIM MANIFOLD A PORT TO ROD PORT OF MASTER CYLINDER 451TC-04, 137", -4FF 45° X -6FF STR |
| 15 | 1313681 | 1 | CONNECTS TRIM MANIFOLD B PORT TO BASE PORT OF MASTER CYLINDER 451TC-04, 126", -4FF 45° X -6FF STR |
| 16 | 1313902 | 1 | CONNECTS HIC MANIFOLD TO P PORT OF TRIM MANIFOLD, 451TC-04, 252", - 4FF STR X -4FF STR |
| 17 | 1313912 | 1 | CONNECTS HIC MANIFOLD TO T PORT OF TRIM MANIFOLD, 451TC-04, 252", - 4FF STR X -6FF STR |
| 18 | 155246 | 2 | CHECK VALVE, CARTRIDGE |
| 19 | 155245 | 1 | PILOT PISTON, DOUBLE ACTING |
| 20 | 155247 | 2 | BACKUP RING |
| 21 | 155244 | 1 | NEEDLE VALVE, ADJUSTABLE FLOW |
| 22 | 155249 | 1 | CARTRIDGE VALVE, 3 POS,4 WAY (INCLUDES 155248) |
| 23 | 155248 | 2 | SOLENOID COIL, CARTRIDGE, PROP |
| 24 | 155243 | 2 | CARTRIDGE, PRESSURE RELIEF, |
| 25 | 155242 | 1 | VALVE BODY, TRIM |

Model JS7010 Hillco Leveling System
 For Serial Numbers JS7010-15001 thru JS7010-15999

Gear Pump



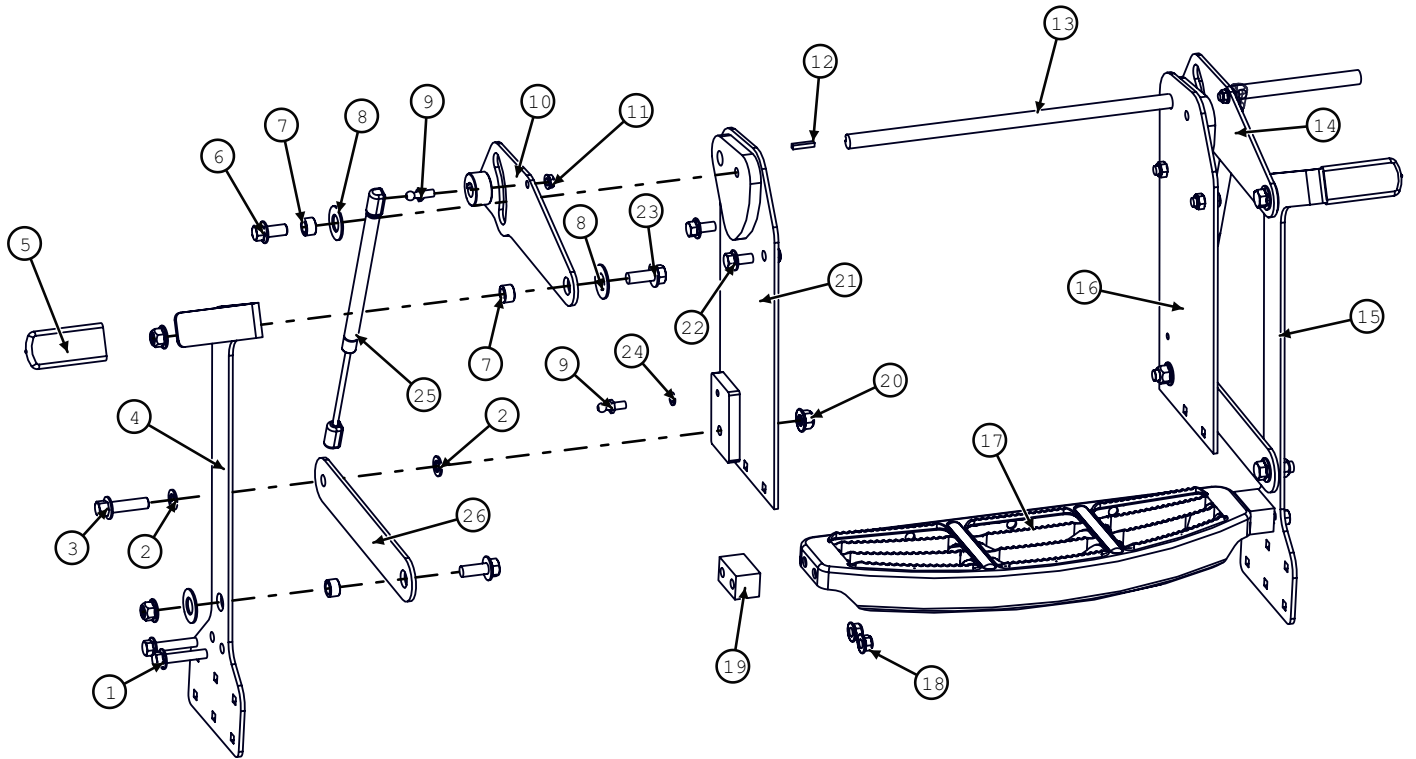
| Gear Pump | | | |
|-----------|-------------|-----|----------------------------|
| BOM ID | Part No. | Qty | Description |
| 1 | 128.008 | 4 | NUT,HX,FL,STV,CL10 M8 |
| 2 | 155177 | 1 | ISOLATOR, PUMP DRIVE |
| 3 | 122.008.030 | 2 | BOLT,HX,FL,CL10.9 M8X30 |
| 4 | 122.008.035 | 2 | BOLT,HX,FL,CL10.9 M8X35 |
| 5 | 1295441 | 1 | COUPLER, GEAR PUMP |
| 6 | 192.006 | 1 | NUT, HX, FL, STV, GR8, |
| 7 | 1314191 | 1 | TORQUE ARM |
| 8 | 148181 | 1 | HYDRAULIC PUMP ASSY, |
| 9 | 1003.16.16 | 1 | HA,90° |
| 10 | 1295741 | 1 | 100R2-10, 252" |
| 11 | 1008.2 | 1 | HA,TEE,SWIVEL,NUT,RUN |
| 12 | 1023.42.20 | 1 | HA, STR, M42MMST X -20MORS |
| 13 | 1006.20.20 | 1 | HA,90° |
| 14 | 135631 | 1 | CLAMP, 1-1/2" R/C W 3/8 |
| 15 | 1295791 | 1 | 451TC-16, 55" |
| 16 | 1006.16.16 | 1 | HA,90° |
| 17 | 1003.10.10 | 1 | HA,90° |

Model JS7010 Hillco Leveling System
For Serial Numbers JS7010-15001 thru JS7010-15999

| Hydraulic Hoses | | | |
|---|-----|---|---|
| Common on all JS7010 Leveling Systems | | | |
| Part No. | Qty | Description | Hose Specs |
| 1138942 | 1 | Grease Hose | 100R1-03, 33-1/2" 1/8 MPT X 1/8 MPT |
| 1138951 | 1 | Grease Hose | 100R1-03, 40" 1/8 MPT X 1/8 MPT |
| 1138963 | 1 | Grease Hose | 100R1-03, 54" 1/8 MPT X 1/8 MPT |
| 1138974 | 2 | Grease Hose | 100R1-03, 77" 1/8 MPT X 1/8 MPT |
| 1273461 | 2 | Extends Steer Hoses | 3/8" R2 #8FF#8MF 15" |
| 1293431 | 2 | Leveling Cylinder Cross-Over Hose | 100R2-06 47" #8FORS #8FORS 90° |
| 1295601 | 2 | Leveling Manifold To Leveling Cyl | 100R2-08, 103" 08FORSx08FORS |
| 1295741 | 1 | Pressure, Gear Pump To P Port | 100R2-10, 252" 10FORS 90° X 10FORS STR |
| 1295771 | 1 | Return, Manifold To Filter Inlet | 100R1-12, 22", 12FORS STR X 12FORS 90° |
| 1295781 | 1 | Return, Filter To Reservoir | 100R1-12, 252" 16FORS STR X 16FORS STR |
| 1295791 | 1 | Suction, Reservoir To Gear Pump | 100R16-16, 55" 16FORS STR X 20FORS STR |
| 1295802 | 1 | Replaces Jd Hdr Lift Hose | 100R16-12, 86" -10FORS 90X16FORS |
| 1296021 | 1 | Replaces John Deere Header Lift Hose | 100R2-08, 49" -8MORS STR X -8FORS 90° |
| 1313671 | 1 | Connects Trim Manifold A Port To Rod Port Of Master Cylinder | 451TC-04, 137", -4FF 45° X -6FF STR |
| 1313681 | 1 | Connects Trim Manifold B Port To Base Port Of Master Cylinder | 451TC-04, 126", -4FF 45° X -6FF STR |
| 1313902 | 1 | Connects Hic Manifold To P Port Of Trim Manifold | 451TC-04, 252", -4FF STR X -4FF STR |
| 1313912 | 1 | Connects Hic Manifold To T Port Of Trim Manifold | 451TC-04, 252"-4FF STR X -6FF STR |
| 1313922 | 2 | Connects Master Cylinder To Trim Cylinder | 451TC-06, 158"-6FF STR X -6FF STR |
| Specific to Prodrive combines SN 765001 and later | | | |
| 1273301 | 1 | Extends Froward Hydro Line | EFG6K-16, 89" -16SPFL 90°x -16SPFL STR |
| 1273462 | 2 | Filter Head; Front & Side Port To Valve Block Ports | 100R2-08 62", #10FF x #8FF 90° |
| 1274111 | 1 | Extends Case Drain | 100R1-12 24", -16MF STR X -16 FF STR |
| 1297421 | 1 | Extends Ah226084 To Proportionator Motor Supply | 100R2-10 66", -10FF 90° x -10MF STR |
| 1297441 | 1 | Extends Ah226085 To Proportionator Pump Supply | 100R1-12 66", -12FF 90° x -12MF STR |
| 1297452 | 1 | Replaces Ah219243; Connects Rear Filter Port To Proportionator Motor Return | 451TC, 5/8" X 127", -10FF STR x -10FF 90° |
| 1297481 | 1 | Extends Ah226119 To The Trans Lube | 100R2-06 31", -6FF 90° x -6MF STR |
| 1297641 | 1 | Extends Right Brake Hose | 100R2-06 78", -06MF STR x -06FF 90° |
| 1297651 | 1 | Extends Left Brake Line; Extends Lube Line | 100R2-06 60", -06MF STR x -06FF STR |
| 1299191 | 1 | Extends Jd Hose To Shift Block | 100R2-04 15", -6FF 90° X -6MF STR |
| 1316861 | 1 | Extends Reverse Hydro Line | EFG6K-16, 71"-16SPFL 90°x -16SPFL STR |
| Specific to Prodrive Combines SN 765000 and Earlier | | | |
| 1273462 | 2 | Filter Head; Front & Side Port To Valve Block Ports | 100R2-08 62", #10FF x #8FF 90° |
| 1274111 | 1 | Extends Case Drain | 100R1-12 24", -16MF STR X -16 FF STR |
| 1276631 | 1 | Extends Rear Hydrostat Line | 100R15-16 128", 90° CODE 62 x STR CODE 62 |
| 1276642 | 1 | Extends Forward Hydrostat Line (Pro-Drive) | 100R15-16 122", 90° CODE 62 x STR CODE 62 |
| 1297421 | 1 | Extends Ah226084 To Proportionator Motor Supply | 100R2-10 66", -10FF 90° x -10MF STR |
| 1297441 | 1 | Extends Ah226085 To Proportionator Pump Supply | 100R1-12 66", -12FF 90° x -12MF STR |
| 1297452 | 1 | Replaces Ah219243; Connects Rear Filter Port To Proportionator Motor Return | 100R2-10 147", -10FF STR x -10FF 90° |
| 1297481 | 1 | Extends Ah226119 To The Trans Lube | 100R2-06 31", -6FF 90° x -6MF STR |
| 1297641 | 1 | Extends Right Brake Hose | 100R2-06 78", -06MF STR x -06FF 90° |
| 1297651 | 1 | Extends Left Brake Line; Extends Lube Line | 100R2-06 60", -06MF STR x -06FF STR |
| 1299191 | 1 | Extends Jd Hose To Shift Block | 100R2-04 15", -6FF 90° X -6MF STR |
| Specific to Standard Transmission | | | |
| 1140403 | 1 | Extends Case Drain | 100R1-12, 74", -12MORS x -12FORS |
| 1273301 | 1 | Extends Froward Hydro Line | EFG6K-16, 89" -16SPFL 90°x -16SPFL STR |
| 1296901 | 1 | Extends Parking Brake Hose | 100R2-08, 36", -8FORS X -8MORS |
| 1316861 | 1 | Extends Reverse Hydro Line | EFG6K-16, 71"-16SPFL 90°x -16SPFL STR |
| LA-130371 | 2 | Extends Brake Line (L&R) | HOSE, TITFLEX, 31" -4FORSx4FORS&4UNION |

Model JS7010 Hillco Leveling System
For Serial Numbers JS7010-15001 thru JS7010-15999

RETRACTABLE LADDER



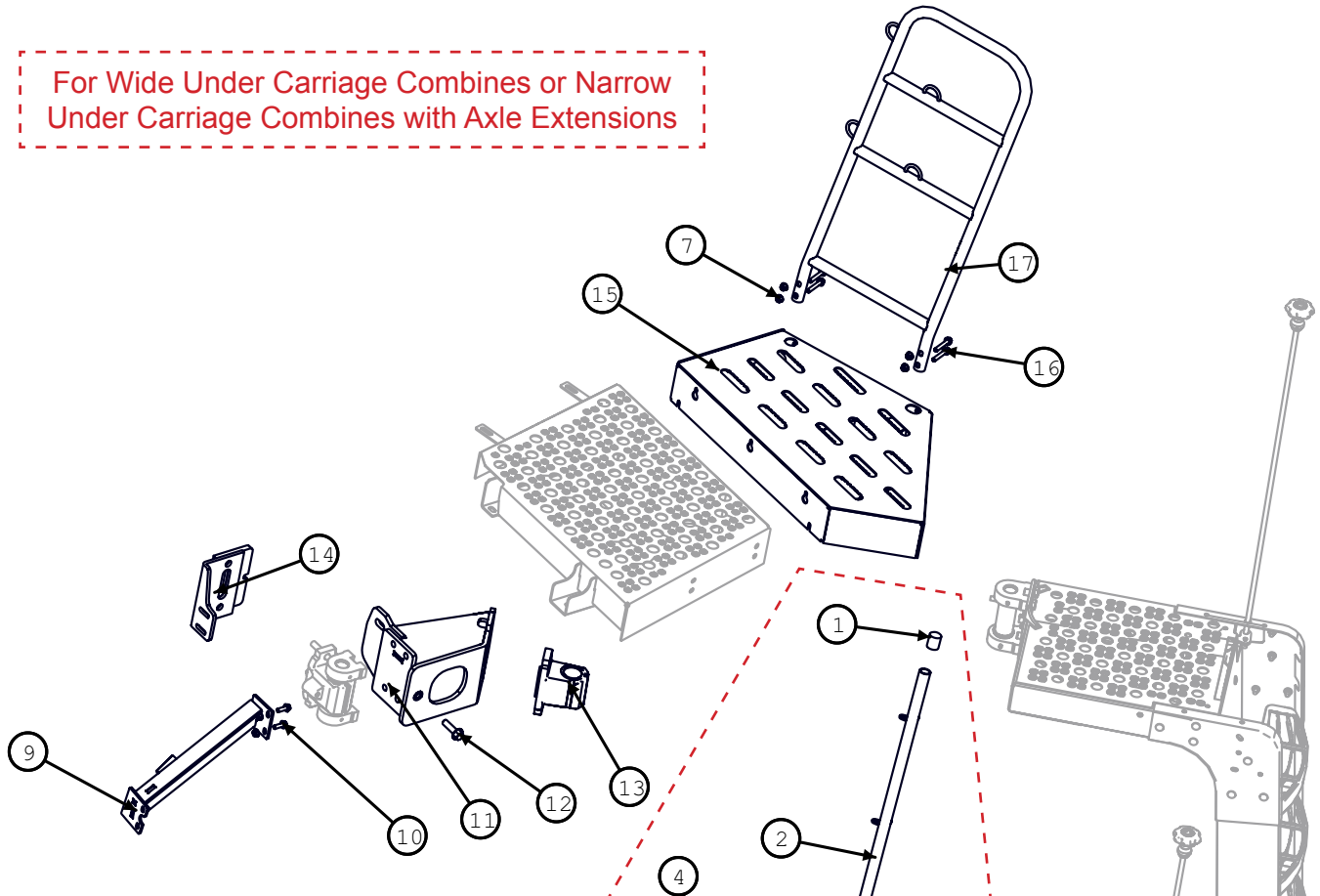
Model JS7010 Hillco Leveling System
For Serial Numbers JS7010-15001 thru JS7010-15999

Retractable Ladder

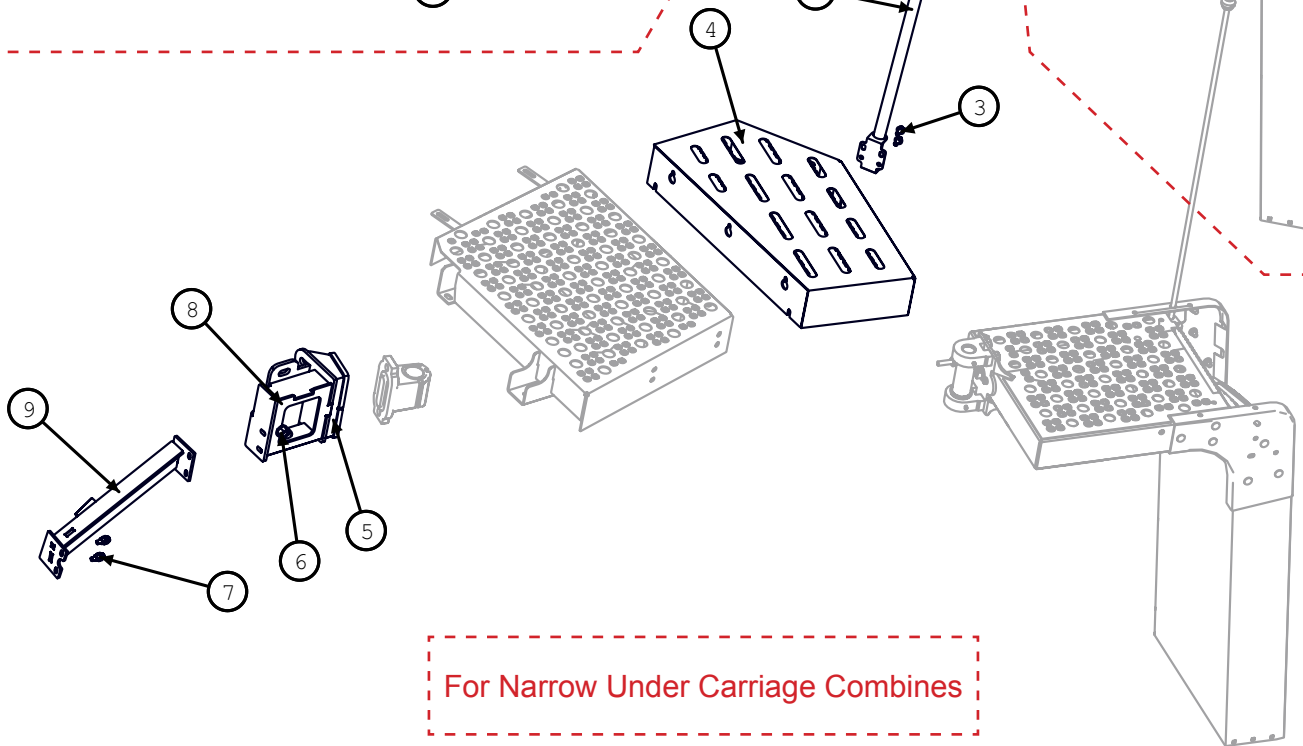
| BOM ID | Part No. | Qty | Description |
|---------------|-----------------|------------|-----------------------------------|
| ASM | LA-297171 | 1 | LM ASM, MOVING STEP (SIDEHILL) |
| 1 | F-HCF-10M050E | 4 | SCREW, FLANGED HEX CAP |
| 2 | F-MB-14NR08 | 4 | MACHINE BUSHING 14GA NR 1/2ID |
| 3 | F-HCF-12M045E | 2 | FLHC-10.9M12X1.75X45 |
| 4 | LB-298222 | 1 | LM PLT, LADDER HANDLE, RIGHT |
| 5 | MC-151921 | 2 | GRIP, JD#W25634 |
| 6 | F-HCF-12M025E | 2 | FLHC-10.9M12X1.75X25 |
| 7 | LM-299181 | 6 | LM BUSHING, LADDER PIVOT |
| 8 | 153.014.012 | 6 | BUSHING,MACH,WR |
| 9 | MC-134931 | 2 | LIFT SUPPORT BRACKETS (PAIR) |
| 10 | LW-298272 | 1 | LM ASM, UPPER CONTROL LINK, RIGHT |
| 11 | F-HNF-05C | 2 | FLHN 5/16-18 |
| 12 | F-KST-03X03X16 | 2 | KEY, STR, 3/16 X 3/16 X 1 |
| 13 | LM-298191 | 1 | LM RND, ROCK SHAFT |
| 14 | LW-298252 | 1 | LM WLD, UPPER CONTROL LINK |
| 15 | LB-298182 | 1 | LM PLT, LADDER HANDLE, LEFT |
| 16 | LM-298132 | 1 | LM WLD, LFT LADDER MNT |
| 17 | MC-152601 | 1 | STEP, PLATFORM, STEP (HXE19816) |
| 18 | F-HNFS-10ME | 8 | FLHN-10.9M10X1.5 STVR |
| 19 | LM-299071 | 2 | LM SPACER, LADDER STEP |
| 20 | F-HNFS-12ME | 6 | FLHN-10.9M12X1.75 STVR |
| 21 | LM-298212 | 1 | LM WLD, RHT LADDER MNT |
| 22 | F-HCF-10M020E | 4 | FLHC-10.9 M10X1.75X20 |
| 23 | F-HCF-12M30E | 4 | FLHC-10.9 M12X1.75X30 |
| 24 | F-LW-05 | 2 | LOCK WASHER 5/16" |
| 25 | MC-139251 | 2 | GAS CHARGED LIFT SUPPORT |
| 26 | LM-298171 | 2 | LM PLT, LOWER CONTROL LINK |

Ladder Wedge

For Wide Under Carriage Combines or Narrow Under Carriage Combines with Axle Extensions



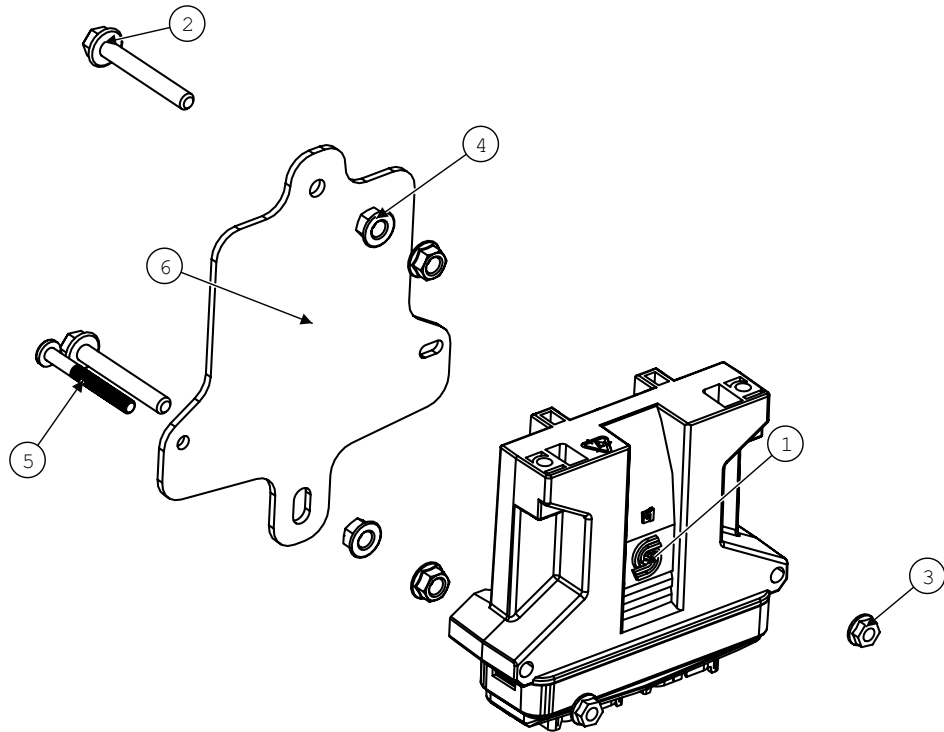
For Narrow Under Carriage Combines



Model JS7010 Hillco Leveling System
For Serial Numbers JS7010-15001 thru JS7010-15999

| Ladder Wedge | | | |
|---------------------|-----------------|------------|--|
| BOM ID | Part No. | Qty | Description |
| 1-9 | 1314181 | 1 | Narrow Undercarriage Ladder |
| 1 | 151681 | 1 | SHORT CAP, BLK, 1-1/4ID X 1-1/2L |
| 2 | 1296681 | 1 | HANDRAIL CORNER |
| 3 | 122.010.020 | 4 | BOLT,HX,FL,CL10.9 M10X20 |
| 4 | 1301803 | 1 | PLATFORM, 17" |
| 5 | 122.016.050 | 2 | BOLT,HX,FL,CL10.9 M16X50 |
| 6 | 123.016 | 1 | NUT,HX,FL,CL10 M16 |
| 7 | 123.01 | 12 | NUT,HX,FL,CL10 M10 |
| 8 | 1300681 | 1 | PIVOT EXTENSION |
| 9-17 | 1314171 | 1 | Wide Undercarriage Ladder or Narrow with Axle Extensions |
| 9 | 1296081 | 2 | LADDER BRACE |
| 10 | 122.010.030 | 4 | BOLT,HX,FL,CL10.9 M10X30 |
| 11 | 1300932 | 1 | PIVOT EXTENSION |
| 12 | 122.016.060 | 1 | BOLT,HX,FL,CL10.9 M16X60 |
| 13 | 154501 | 1 | PIVOT, LADDER, |
| 14 | 1301181 | 1 | SUPPORT BRACKET |
| 15 | 1301102 | 1 | PLATFORM |
| 16 | 122.010.060 | 4 | BOLT,HX,FL,CL10.9 M10X60 |
| 17 | MC-153571 | 1 | HANDRAIL, EXTENSION ASSY FRONT (AXE16380) |

Controller/Wiring Harnesses



| Electrical Components | | | |
|-----------------------|-------------|-----|---------------------------------|
| BOM ID | Part No. | Qty | Description |
| 1-6 | LA-295211 | 1 | EM ASM, CONTROLLER W/MNT |
| 1 | 1295221 | 1 | SAUER-DANFOSS PLUS 1 CONTROLLER |
| 2 | 122.008.060 | 2 | FLHC-M08X1.25X60 |
| 3 | 119.004 | 2 | FLHN-GR5 1/4-20 |
| 4 | 123.008 | 4 | FLHN 10.9 M8 X 1.25 |
| 5 | 114.004.036 | 2 | PHMS-GR5-1/4-20 X 2-1/4" |
| 6 | 1295201 | 1 | EM PLT, CONTROLLER MNT |

| Wiring Harnesses | | | |
|------------------|-----------|----------------------------|--|
| BOM ID | Part No. | Description | Purpose |
| NS | 1294743 | EM HARNESS, PRIMARY | POWER SUPPLY & SENSOR PACKAGE |
| NS | LA-295342 | EM HARNESS, TA SENSOR | TRANSITION TILT SENSOR |
| NS | 1295181 | EM HARNESS, SENSOR PACKAGE | SENSOR PACKAGE WIRING |
| NS | 1260222 | TRIM SIGNAL | CONNECTS TRIM MANIFOLD TO DEERE CONTOUR MASTER |

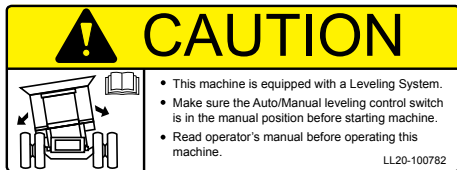
Decals and Literature



1) LL-133741



2) LL-151041



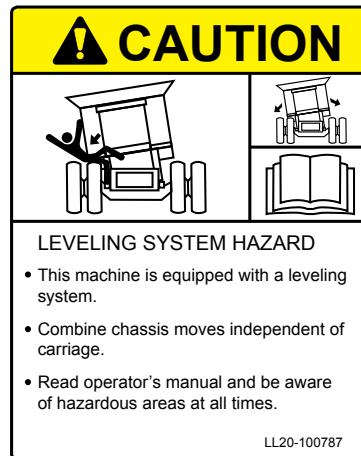
3) LL20-100782



4) LL20-100784



5) LL20-100783



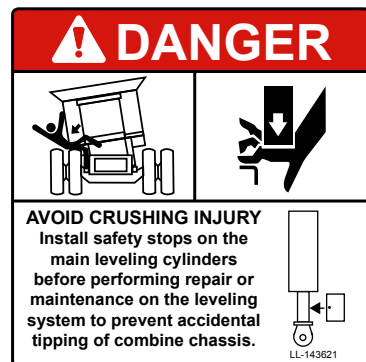
6) LL20-100787



7) LL20-100786



8) LL20-100788



9) LL-143621

Model JS7010 Hillco Leveling System
For Serial Numbers JS7010-15001 thru JS7010-15999

| DECALS AND LITERATURE | | | | |
|-----------------------|----------------|------|------------------------------------|---|
| REF. | PART NO. | QTY. | PART NAME | DESCRIPTION |
| 1 | LL-133741 | 1 | LABEL, GREASE 50 HRS | OC BULKHEAD |
| 1 | LL-133741 | 2 | LABEL, GREASE 50 HRS | RIGHT & LEFT MAIN LEV CYL BOTTOM |
| 1 | LL-133741 | 1 | LABEL, GREASE 50 HRS | MASTER CYLINDER ROD |
| 2 | LL-151041 | 2 | DECAL, HILLSIDE LEVELING SYSTEM | SIDE OF COMBINE |
| 4 | LL20-100782 | 1 | CAUTION LEVELING SYSTEM CAB | WINDOW IN CAB |
| 5 | LL20-100783 | 2 | DANGER, CRUSHING HAZARD | RIGHT & LEFT UNDERCARRIAGE |
| 5 | LL20-100783 | 2 | DANGER, CRUSHING HAZARD | SIDES OF DROP AXLE ASSEMBLY |
| 6 | LL20-100784 | 2 | DECAL, DANGER PINCH POINT | RIGHT & LEFT UPPER TRANS FACE PLT |
| 7 | LL20-100786 | 1 | WARNING ELECTRICAL CRUSHING HAZARD | FRONT OF ELECTRICAL CONTROL BOX |
| 8 | LL20-100787 | 1 | CAUTION - LEVELING SYSTEM HAZARD | ON LADDER PLATFORM |
| 9 | LL20-100788 | 1 | DANGER - HYDRAULIC HAZARD | ON SIDE OF COMBINE ABOVE THE HYDRAULIC MANIFOLD |
| 9 | LL20-100788 | 2 | DANGER - HYDRAULIC HAZARD | FOR EACH LEVELING CYLINDER |
| 10 | LL-143621 | 2 | DANGER, AVOID CRUSHING INJURY | IN AREA NEAR SAFETY STOP STORAGE LOCATION |
| NS | LL-147651 | 1 | LABEL, FEMA MEMBER TAG | NEAR SERIAL NUMBER TAG |
| NS | LA-255961 | 1 | TAG, SERIAL NUMBER | |
| NS | LL-289641 | 1 | CM LABEL, MECHANICAL CYLINDER STOP | |
| NS | D-120620CMA01A | 1 | MANUAL, PARTS | |
| NS | D-111124CMA01B | 1 | MANUAL, OPERATORS | |
| NS | D-050611SLR01 | 1 | WARRANTY REGISTRATION CARD | |
| NS | LL-239412 | 1 | LABEL, STEERING WHEEL | TIED TO STEERING WHEEL DURING INSTALLATION |
| NS | D-120412CMA01 | 3 | DEALER PDI & INSTALL CHECKLIST | |

Model JS7010 Hillco Leveling System
For Serial Numbers JS7010-15001 thru JS7010-15999

Notes

Hillco Technologies, Inc.
107 1st Avenue
Nezperce, Idaho 83543

| | |
|-------|--------------|
| Phone | 800-937-2461 |
| | 208-937-2461 |
| Fax | 208-937-2280 |

www.hillcotechnologies.com
email: support@hillcotechnologies.com