

Model JS7010 Hillco Leveling System  
For Serial Numbers JS7010-14001 thru JS7010-14999



# **Model JS7010 Sidehill Leveling System Parts Manual**

SN JS7010-14001 thru JS7010-14999

For John Deere S660 & S670  
S Series Combines

D-120621CMA01A



# JS7010 Sidehill Leveling System

For S660 & S670 S Series Combines

## Table of Contents

<b>General Information</b>	<b>3</b>
Serial Number Location	3
Text and Illustrations	3
Abbreviations	3
Right and left Identification	3
Part Orders	3
<b>Transition</b>	<b>4</b>
Tilt Sensor	5
Transition Throat	6
Transition Header Adapter	8
<b>Carriage</b>	<b>10</b>
Overcarriage	11
Undercarriage	13
Carriage Misc. Parts	15
Carriage Position Sensor	16
<b>Drop Axle</b>	<b>18</b>
<b>Hydraulic Components</b>	<b>19</b>
Hydro Hose Adapters	20
Leveling Manifold	21
Header Trim Manifold	23
Gear Pump	25
Hydraulic Hoses	26
<b>Retractable Ladder</b>	<b>27</b>
<b>Ladder Wedge</b>	<b>29</b>
<b>Electrical</b>	<b>31</b>
Controller/Wiring Harnesses	31
<b>Decals and Literature</b>	<b>32</b>

### Contact Information

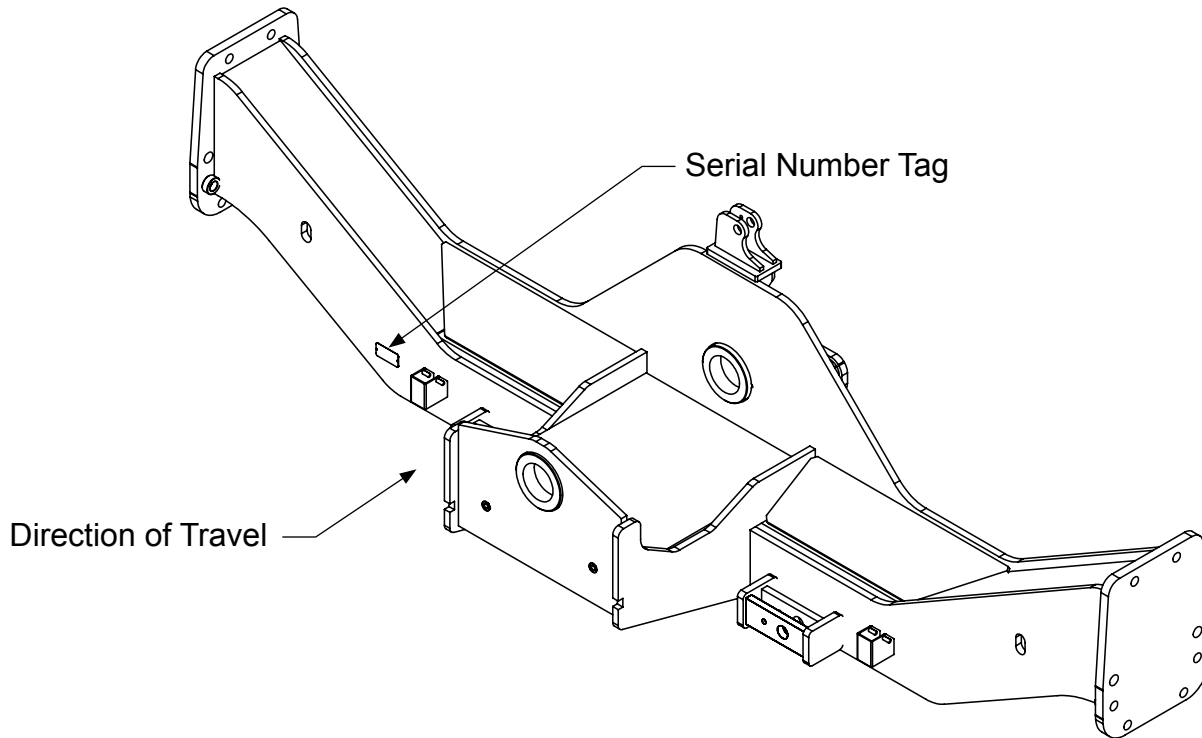
Hillco Technologies, Inc.  
107 1st Avenue  
Nezperce, Idaho 83543

Phone 800-937-2461  
208-937-2461  
Fax 208-937-2280

[www.hillcotechnologies.com](http://www.hillcotechnologies.com)  
email: [support@hillcotechnologies.com](mailto:support@hillcotechnologies.com)

## **GENERAL INFORMATION**

### **SERIAL NUMBER LOCATION**



### **TEXT AND ILLUSTRATIONS**

The arrangement of this parts catalog is for easy identification of parts. All parts are illustrated in exploded views in proper relation to each other. Some diagrams refer to other pages for further information. Reference numbers used in the illustrations refer to line numbers in the part lists. The part lists appear to the right or below all diagrams and correspond with those diagrams. Included in the part lists, along with the reference numbers are part numbers, part descriptions and the quantity of the part required per leveling system.

### **ABBREVIATIONS**

**SN** "Serial Number" refers to the serial number given to each leveling system (by Hillco Technologies), as well as the serial number given to the combine (by the specific combine manufacturer) the leveling system is installed. See above for the leveling system's serial number location. This abbreviation is used interchangeably in both instances. Each Model JS7010 Leveling System uses the following serial number format: JS7010-XXXXX (sequential numbers).

**ASM** "Assembly" refers to a whole grouping of parts (shown in the diagram corresponding with the page where "ASM" is shown unless otherwise noted). Some assemblies have parts that are sold separately, however some must be purchased as a single unit. Hillco Product Specialists will be able to assist you with any questions.

**NS** "Not Shown" refers to a part that is not depicted in the illustration.

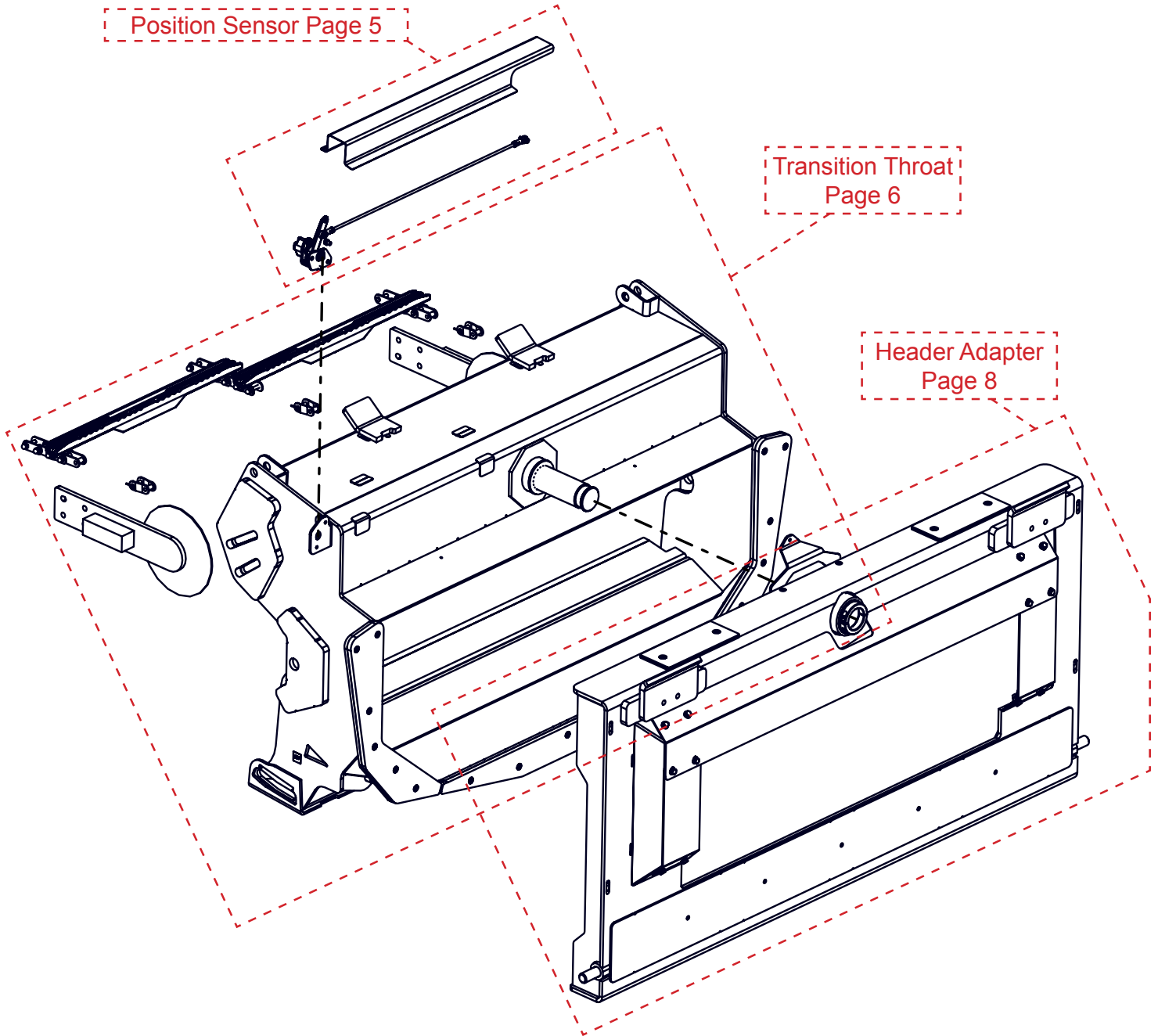
### **RIGHT AND LEFT IDENTIFICATION**

The reference to right-hand and left-hand in this catalog is identified by the operator sitting in the operator's seat, looking toward the front of the machine (in normal forward travel).

### **PART ORDERS**

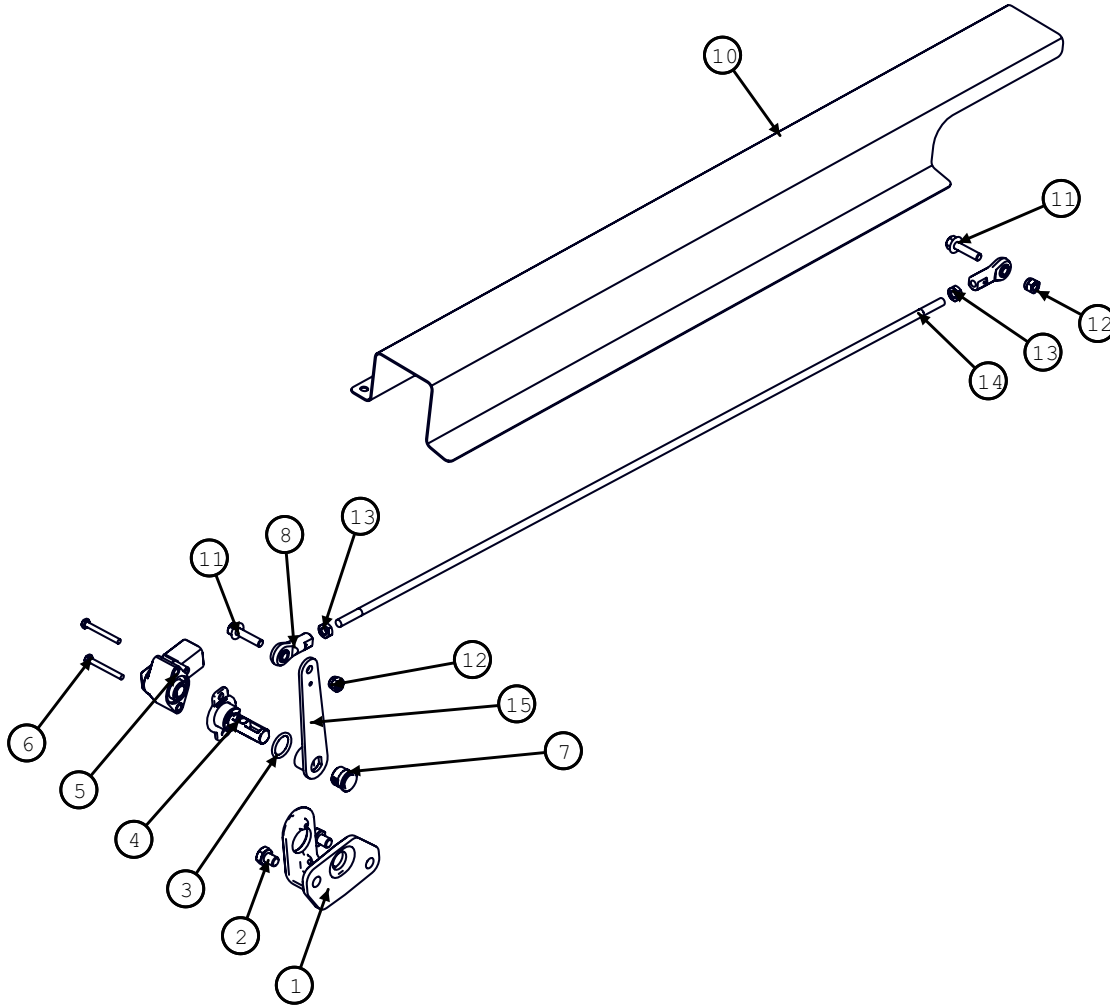
Orders must specify product model, serial number, correct part number, complete description, quantity required, method of shipment, shipping address, and billing address.

## **TRANSITION**



Model JS7010 Hillco Leveling System  
 For Serial Numbers JS7010-14001 thru JS7010-14999

**TRANSITION TILT SENSOR**

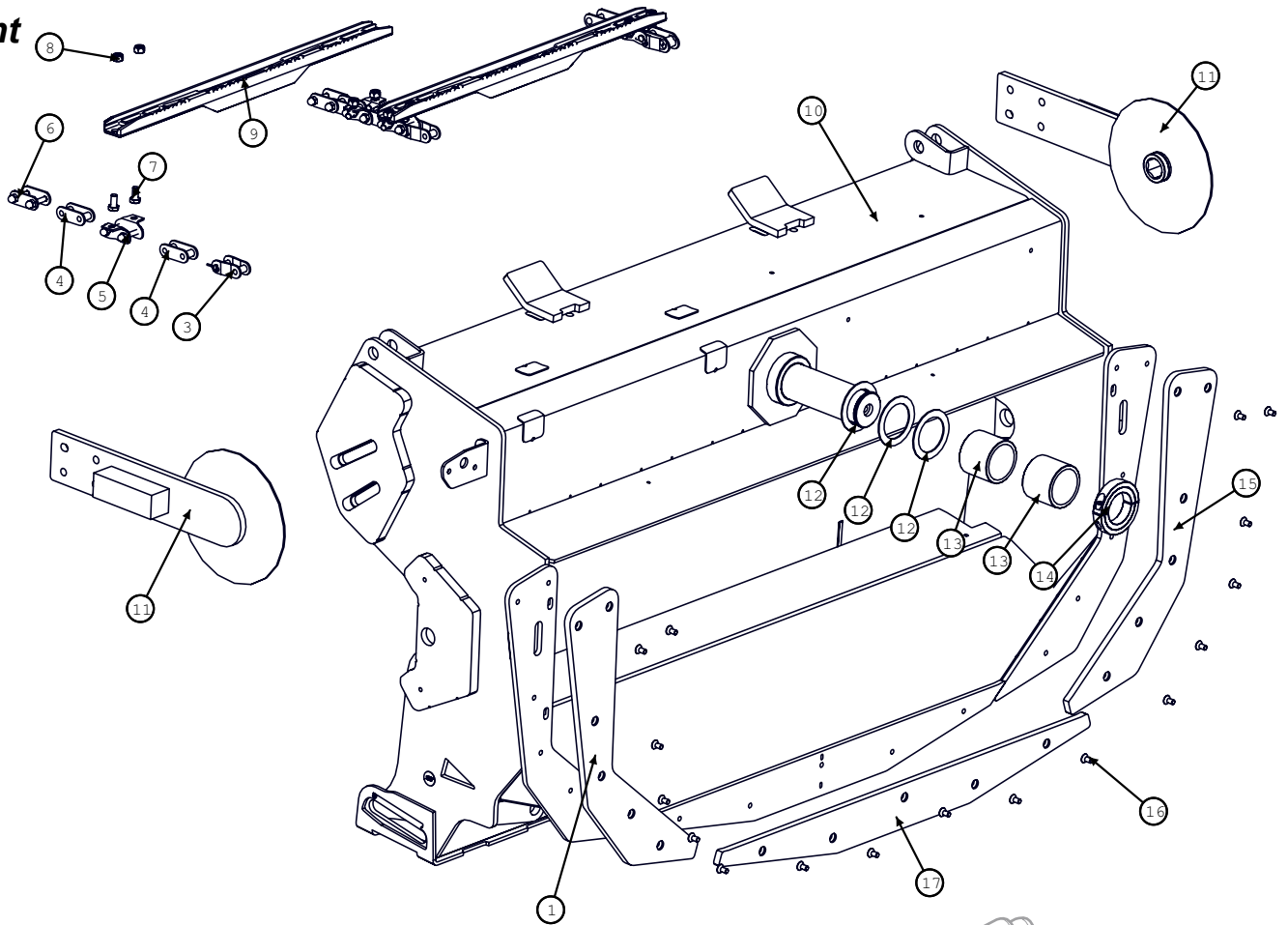


TRANSITION POSITION SENSOR			
BOM ID	Part No.	Qty	Description
1	151321	1	BRACKET, SENSOR
2	178.008	2	BOLT,HX,CL8.8 M8X10
3	151391	1	O-RING, 11/16 ID
4	151401	1	SENSOR SHAFT,
5	151381	1	SENSOR, ROTATION,
6	170.004	2	BOLT, HX,CL8.8
7	151361	1	BUSHING,
8	151881	2	ROD END, BALL JOINT,
9	201.006	1	PIN,ROLL M6X36
10	1295541	1	SENSOR LINKAGE
11	122.006	2	BOLT,HX,FL,CL10.9 M6X25
12	191.006	2	NUT,HX,NYL,CL8 M6
13	184.004	2	NUT,HX,JAM,GR5 1/4-28
14	1295502	1	SENSOR ROD
15	151371	1	ARM, TILT SENSOR

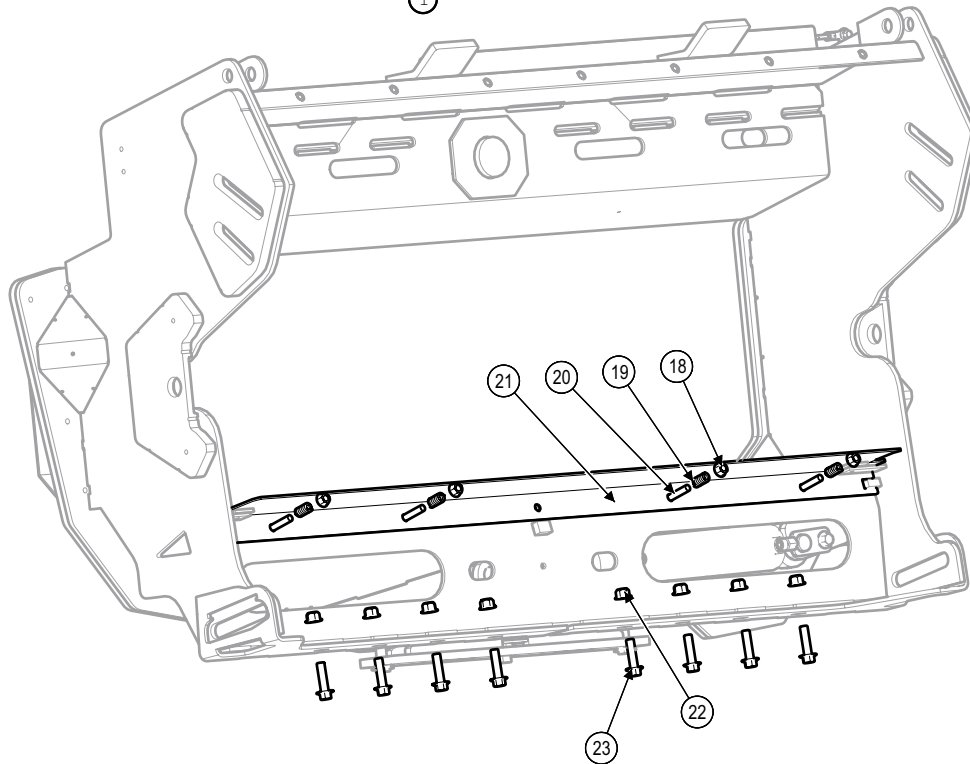
Model JS7010 Hillco Leveling System  
For Serial Numbers JS7010-14001 thru JS7010-14999

**TRANSITION THROAT**

**Front**



**Back**

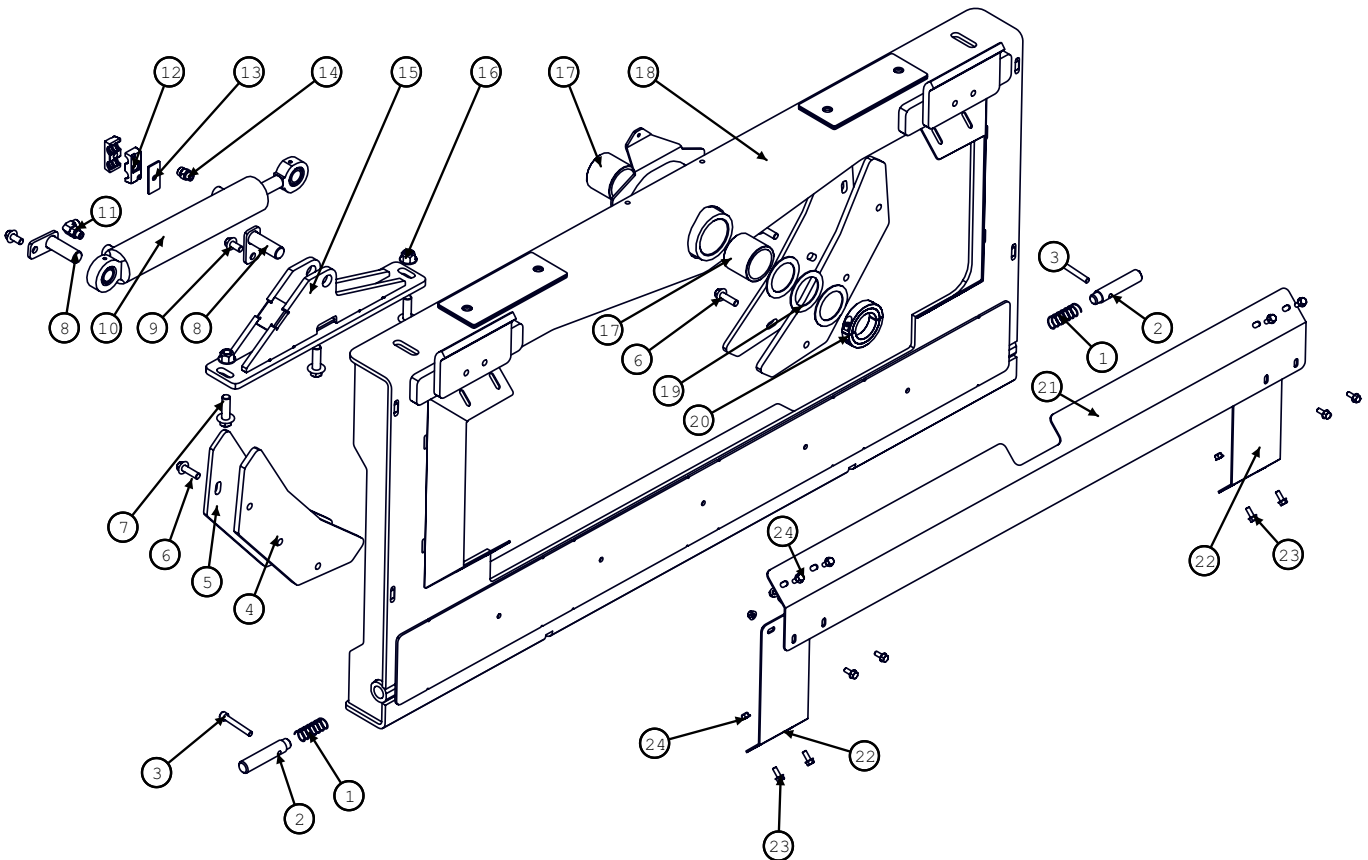


Model JS7010 Hillco Leveling System  
For Serial Numbers JS7010-14001 thru JS7010-14999

<b>Transition Throat</b>			
<b>BOM ID</b>	<b>Part No.</b>	<b>Qty</b>	<b>Description</b>
1	1250571	1	RIGHT WEARPAD
3	146641	3	LINK, OFFSET COUPLER CA557
4	146391	6	LINK, FEMALE, CA557
5	146381	4	CHAIN LINK WITH K6 SIDEBAR
6	140261	3	COUPLER, CA557 CHAIN LINK
7	120.01	8	BOLT,HX,CL10.9 M10
8	126.01	8	NUT,HX,STV,CL10 M10
9	146402	2	SLAT, CAST ( See previous pages for more slat options)
10	1290461	1	THROAT, SIDEHILL
11	1269141	2	FEEDR DRUM ARM (10" - See previous pages for more drum arm options)
12	162.014.040	3	BUSHING,MACH,NR
13	10133.06.00040	2	TM, GRAPHITE MICARTA
14	150742	1	COLLAR,CLAMPING,2-1/2 ID 3-3/4 OD, 2 PIECE HEAVY
15	1250561	1	LEFT WEARPAD
16	164.008	17	SCREW,FHSC,CL10.9 M8X16
17	1250581	1	BOTTOM WEARPAD
18	125.01	4	NUT,HX,NYL,CL10 M10
19	143591	4	SPRING, COMPRESSION
20	163.010.060	4	BOLT,CARR,CL8.8 M10
21	1313751	1	FLEX FLOOR
22	128.012	8	NUT,HX,FL,STV,CL10 M12
23	122.012.045	8	BOLT,HX,FL,CL10.9 M12X45

Model JS7010 Hillco Leveling System  
For Serial Numbers JS7010-14001 thru JS7010-14999

**TRANSITION HEADER ADAPTER**





Model JS7010 Hillco Leveling System  
For Serial Numbers JS7010-14001 thru JS7010-14999

<b>Transition Header Adapter</b>			
<b>BOM ID</b>	<b>Part No.</b>	<b>Qty</b>	<b>Description</b>
1	135531	2	SPRING, COMPRESSION
2	1229193	2	LOCKOUT PIN
3	195.010.070	2	SCREW,SHC,CL10.9 M10X70
4	1250551	2	BACKING WEARPAD
5	1250541	2	BACKING PLATE
6	122.012.040	6	BOLT,HX,FL,CL10.9 M12X40
7	122.016.050	3	BOLT,HX,FL,CL10.9,M16X50
8	1253883	2	CYLINDER PIN
9	122.012.025	2	BOLT,HX,FL,CL10.9 M12X25
10	138582	1	CYLINDER 2-1/2 X 10
11	1003.06.06	1	-6MORB X -6MORFS
12	139431	2	CLAMP, 3/4" TWIN BEHRINGER PAIR
13	139451	1	COVER PLATE,TWIN
14	1001.06.06	1	HEADER ADAPTER, STR
15	1250713	1	SLAVE CYL ROD MOUNT
16	128.016	2	NUT,HX,FL,STV,CL10 M16
17	10133.06.00040	2	TM, GRAPHITE MICARTA
18	1250165	1	HEADER ADAPTER
19	162.014.040	3	BUSHING,MACH,NR
20	150742	1	COLLAR, CLAMPING
21	1250522	1	TOP SHIELD
22	1250534	2	SIDE SHIELD
23	122.008.020	12	BOLT,HX,FL,CL10.9 M8X20
24	128.008	12	NUT,HX,FL,STV,CL10 M8

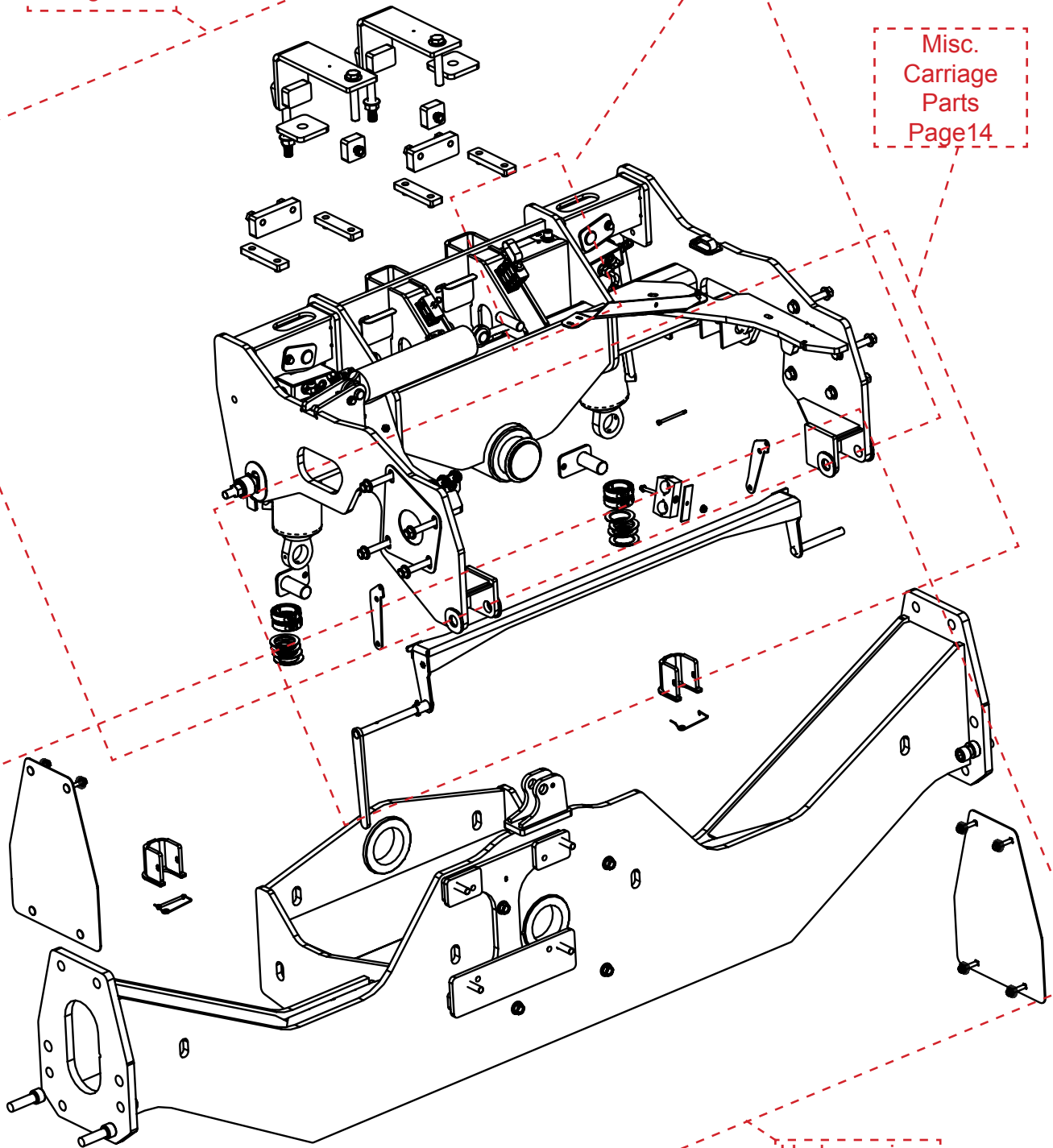
Model JS7010 Hillco Leveling System  
For Serial Numbers JS7010-14001 thru JS7010-14999

**Carriage**

Overcarriage  
Page 11

Carriage  
Position Sensor  
Page 15

Misc.  
Carriage  
Parts  
Page 14



Undercarriage  
Page 13

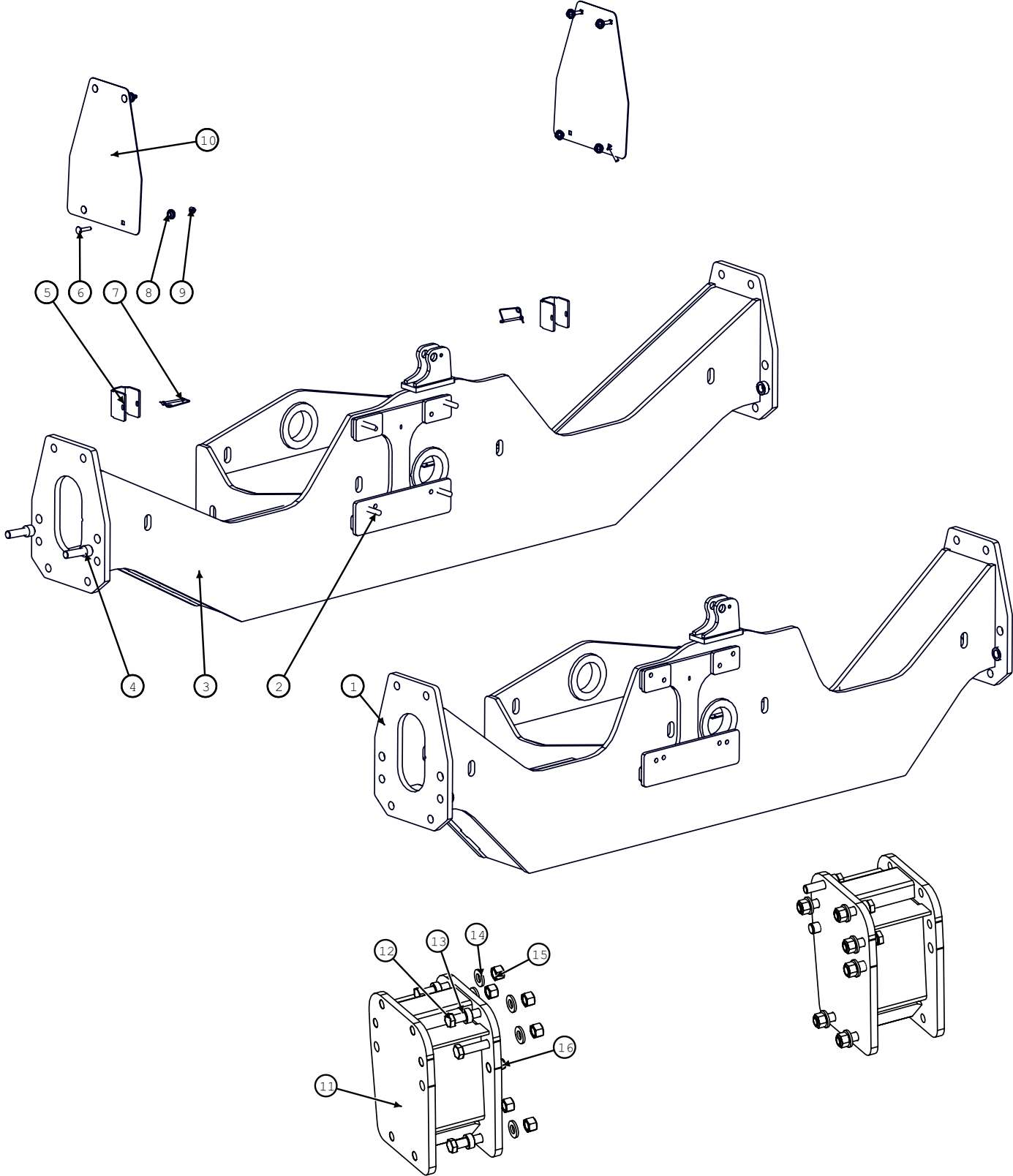


Model JS7010 Hillco Leveling System  
For Serial Numbers JS7010-14001 thru JS7010-14999

<b>Overcarriage</b>			
<b>BOM ID</b>	<b>Part No.</b>	<b>Qty</b>	<b>Description</b>
1	137501	8	WASHER, QUICK REPAIR
2	153241	4	COLLAR, CLAMPING
3	1230552	4	PIN, MAIN CYLINDER
4	151002	2	CYLINDER, CB VALVE,
5	1247961	2	PIVOT BUSHING
6	138641	4	4.016ID X 4.7640D X 048
7	1291351	1	PIVOT PIN
8	1293951	2	UPPER CARRIAGE SHIM
9	122.016.050	4	BOLT,HX,FL,CL10.9,M16X50
10	1293911	2	CARRIAGE LOCK (7010)
11	128.02	2	NUT,HX,FL,STV,CL10 M20
12	1297901	2	SPACER, TUBE CLAMP
13	1293631	2	AXLE CLAMP
14	1009.06	2	STR THD, BRANCH,
15	140342	1	CYLINDER, CROSS PORT
16	122.012.025	2	BOLT,HX,FL,CL10.9 M12X25
17	165.016	2	NUT,HX,JAM,CL8 M16
18	139471	1	STACK BOLT, BEHRINGER
19	101.005.032	2	BOLT,HX,GR5 5/16-18X2
20	1270042	2	CARRIAGE SHIM
21	122.020.220	2	BOLT,HX,FL,CL10.9 M20
22	122.020.120	2	BOLT,HX,FL,CL10.9 M20
23	1229071	2	CYLINDER PIN, TRIM
24	1274901	1	SUPPORT, HYDRO HOSE
25	1293921	4	LOWER CARRIAGE SHIM
26	1274252	1	TABLE, HYDRO HOSE
27	147781	2	CLAMP 1/4" DOUBLE LOOP 3/8HOLE
28	1291332	1	OVERCARRIAGE
29	139451	2	COVER PLATE,TWIN
30	139431	3	CLAMP, 3/4" TWIN BEHRINGER PAIR
31	155157	5	BULKHEAD,GREASE,STR,
32	155158	5	BULKHEAD,LOCKNUT
33	122.016.060	8	BOLT, HX, FL, CL10.9, M16X60
34	123.016	8	NUT,HX,FL,CL10 M16
35	138651	1	SNAP RING; 4"
36	138011	5	ZERK,STR, 1/4-28MTAPER

Model JS7010 Hillco Leveling System  
For Serial Numbers JS7010-14001 thru JS7010-14999

**Undercarriage**

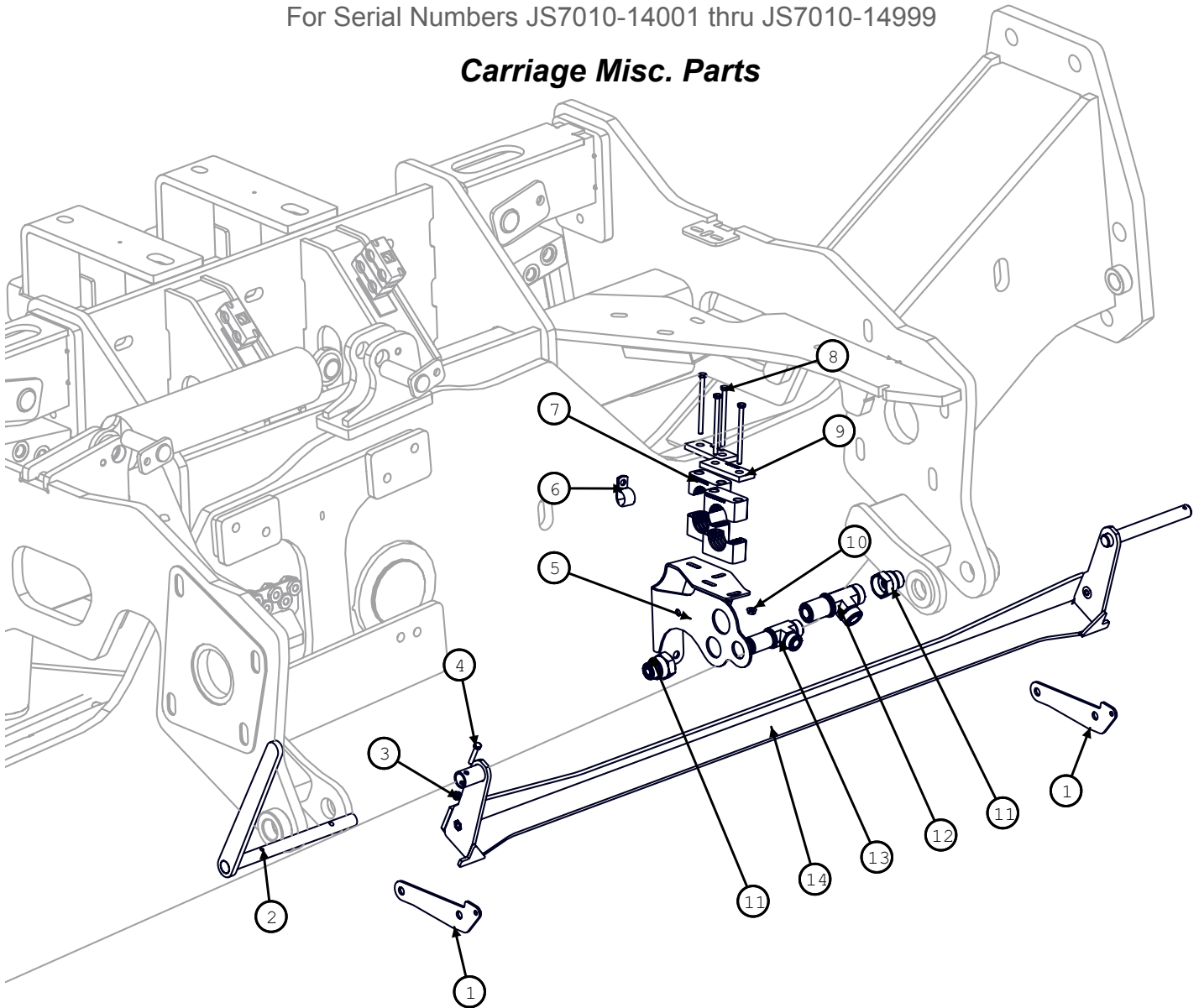


Model JS7010 Hillco Leveling System  
For Serial Numbers JS7010-14001 thru JS7010-14999

<b>Undercarriage</b>			
<b>BOM ID</b>	<b>Part No.</b>	<b>Qty</b>	<b>Description</b>
1	1292921	1	UNDERCARRIAGE, NARROW, 96.25",
2	155.016	4	STUD, DOUBLE-10.9
3	1290811	1	UNDERCARRIAGE, WIDE, 114.75"
4	159.024.080	2	SCREW,SHC,CL12.9 M24
5	1307161	2	CYLINDER STOP
6	163.010.050	7	BOLT,CARR,CL8.8 M10
7	146.004.048	2	PIN,SNAP,LCK
8	151021	8	BUSHING, PLASTIC
9	123.01	8	NUT,HX,FL,CL10 M10
10	1293831	2	CAP, AXLE
11-16	LA-253141	1	NARROW UNDERCARRIAGE AXLE EXTENSIONS
11	LA-253132	2	LM WLD, 9.25 AXLE EXTENSION
12	F-HC-24M100E	12	M24 X 3 X 110 HEX CAP
13	LM-266382	8	CU TM, SPACER-FINAL DRIVE
14	MC-141121	12	FW M25.4 X 50.0 X 6.0
15	F-HNS-24ME	12	STOVER NUT 24MX3
16	LM-253871	4	LM RND, DOWEL

Model JS7010 Hillco Leveling System  
For Serial Numbers JS7010-14001 thru JS7010-14999

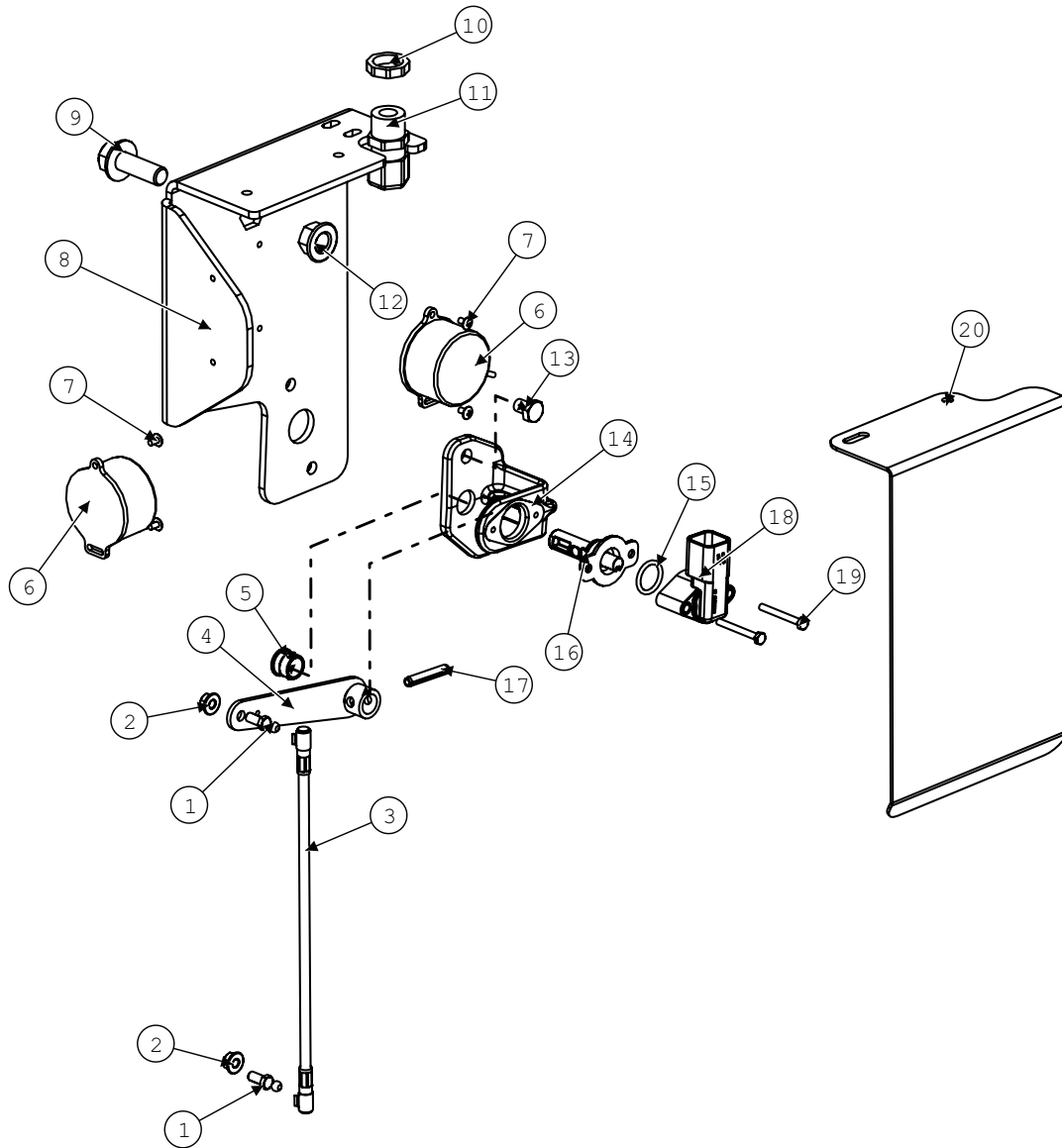
**Carriage Misc. Parts**



Overcarriage Misc.			
BOM ID	Part No.	Qty	Description
1	1290741	2	LINKAGE, UPPER
2	1264501	1	HANDLE, ROCK TRAP
3	191.006	1	NUT,HX,NYL,CL8 M6
4	121.006.035	1	BOLT,HX,CL10.9 M6X35
5	1297312	1	HEADER LIFT BULKHEAD
6	135791	1	CLAMP, HOSE
7	148251	2	STD. CLAMP
8	170.006.090	4	BOLT,HX,CL8.8 M6X90
9	148261	2	STANDARD COVER PLATE
10	123.006	4	NUT,HX,FL,CL10 M6
11	1004.12.10	2	SWIVEL NUT,
12	1034.12	1	HA,TEE,BKHD,RUN
13	1034.1	1	HA, TEE, BKHD, RUN,-10ORFS
14	1264511	1	LINKAGE, CROSS

Model JS7010 Hillco Leveling System  
For Serial Numbers JS7010-14001 thru JS7010-14999

**Carriage Position Sensor**



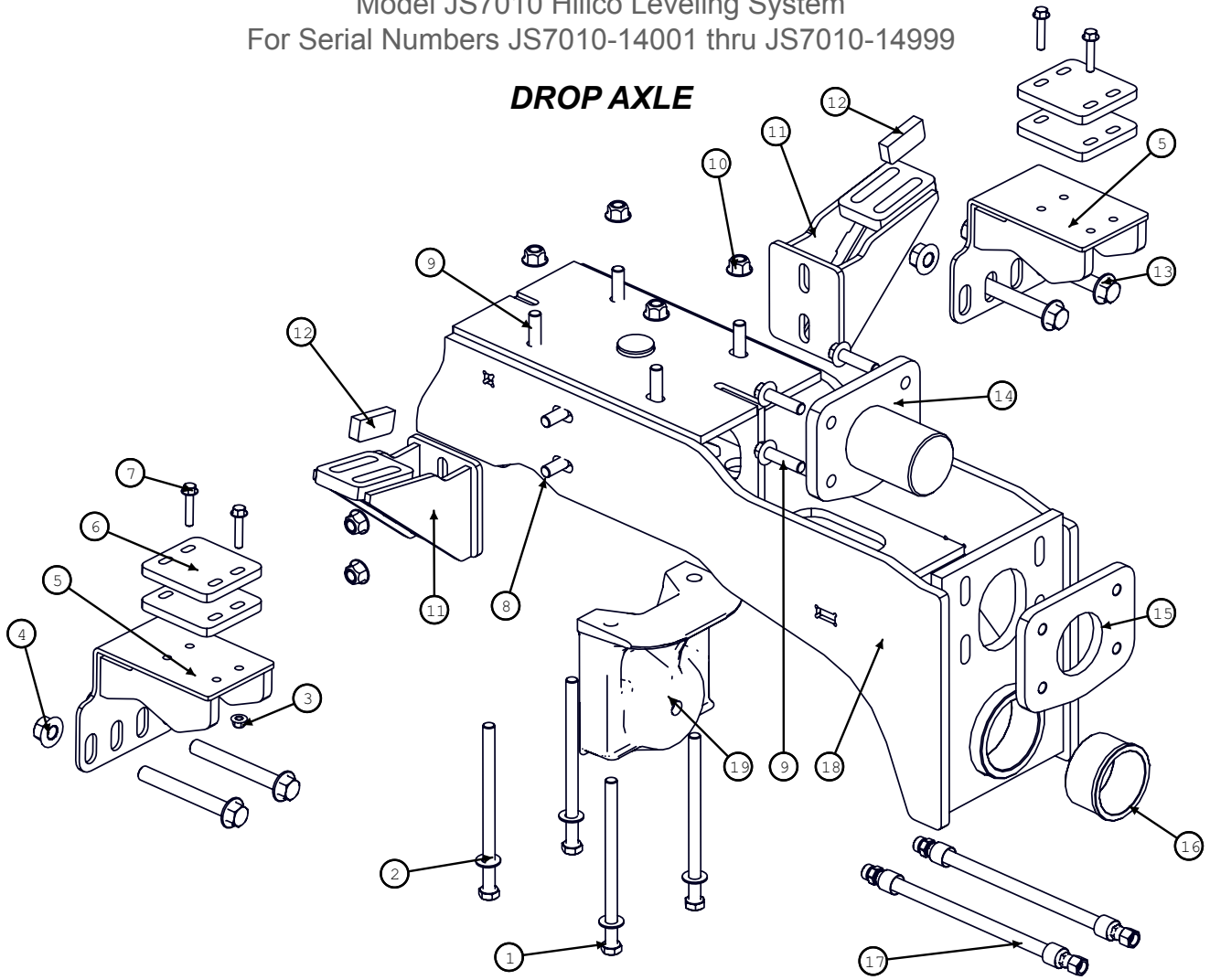


Model JS7010 Hillco Leveling System  
For Serial Numbers JS7010-14001 thru JS7010-14999

<b>Carriage Position Sensor</b>				
<b>BOM ID</b>	<b>Hillco Part No.</b>	<b>John Deere Part No.</b>	<b>Qty</b>	<b>Description</b>
1	151341	H168732	2	BALL STUD (H168732)
2	123.006	-	2	FLHN-10.9M6X1.00
3	151331	AH226146	1	LINKAGE, POSITION (AH226146)
4	151371	AXE17303	1	ARM, ASSY, TILT SENSOR, HM (axe17303)
5	151361	R41076	1	BUSHING, (R41076)
6	141841	-	2	EM ASM, CLINOMETER (Only 1 used on Sidehill's)
7	115.#06.004	-	4	PHMS #6-32X1/4
8	1295142	-	1	EM SHT, SENSOR MNT, CLINOMETER
9	122.012.035	-	1	FLHC 10.9 M12 X 1.75 X 35 PLT
10	142121	-	1	STRAIN RELIEF NUT, 1/2" BLACK
11	138781	-	1	STRAIN RELIEF, NYLON, BLK,
12	123.012	-	1	FLHN-10.9 M12 x 1.75 PLT
13	170.008.010	19m7008	2	HC-8.8M8X1.25X10 (19m7008)
14	151321	HXE16001	1	BRACKET, SENSOR MNT (HXE16001)
15	151391	P48347	1	O-RING, 11/16ID (P48347)
16	151401	AXE14888	1	SHAFT, ROUGH SERVICE DEVICE (AXE14888)
17	201.006.036	-	1	PIN, ROLL 6mm x 36mm
18	151381	AXE14246	1	SENSOR, ROTATION, HALL 2CH +/-120DE (axe14246)
19	170.004.035	19M9368	2	HC-8.8M4X0.7X035 (19m9368)
20	1303151	-	1	EM SHT, SHIELD SENSOR

Model JS7010 Hillco Leveling System  
For Serial Numbers JS7010-14001 thru JS7010-14999

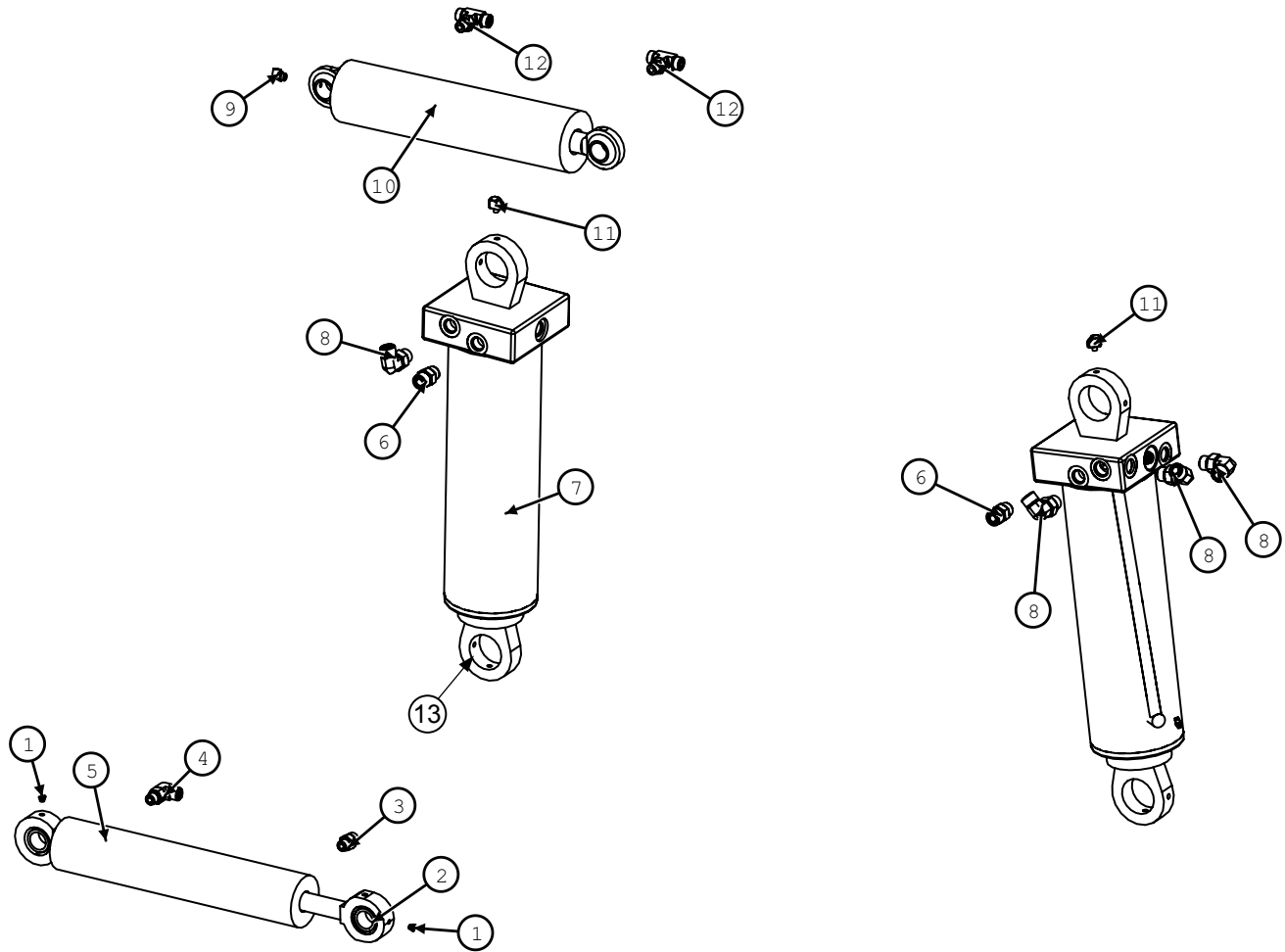
**DROP AXLE**



Drop Axle			
BOM ID	Part No.	Qty	Description
1	121.016.250	4	BOLT,HX,CL10.9 M16X250
2	133.01	4	WASHER,L9,HD 5/8
3	128.01	4	NUT,HX,FL,STV,CL10 M10
4	123.02	4	NUT,HX,FL,CL10 M20
5	1299792	2	ROTATION STOP
6	1299892	4	ROTATION STOP 16°
7	122.010.050	4	BOLT,HX,FL,CL10.9 M10X50
8	198.016.050	4	BOLT,CARR,CL10.9 M16X50
9	122.016.060	8	BOLT, HX, FL, CL10.9, M16X60
10	128.016	12	NUT,HX,FL,STV,CL10 M16
11	1313541	2	WING
12	1313571	2	WING STOP
13	122.020.160	4	BOLT,HX,FL,CL10.9 M20
14	1291071	1	PIVOT PIN
15	1291091	1	PIVOT LOCK
16	1235092	1	BUSHING, PIVOT
17	1273461	2	3/8" R2 #8FF#8MF 15"
18	1291022	1	DROP AXLE
19	1299801	1	STAND-OFF, REAR AXLE

Model JS7010 Hillco Leveling System  
 For Serial Numbers JS7010-14001 thru JS7010-14999

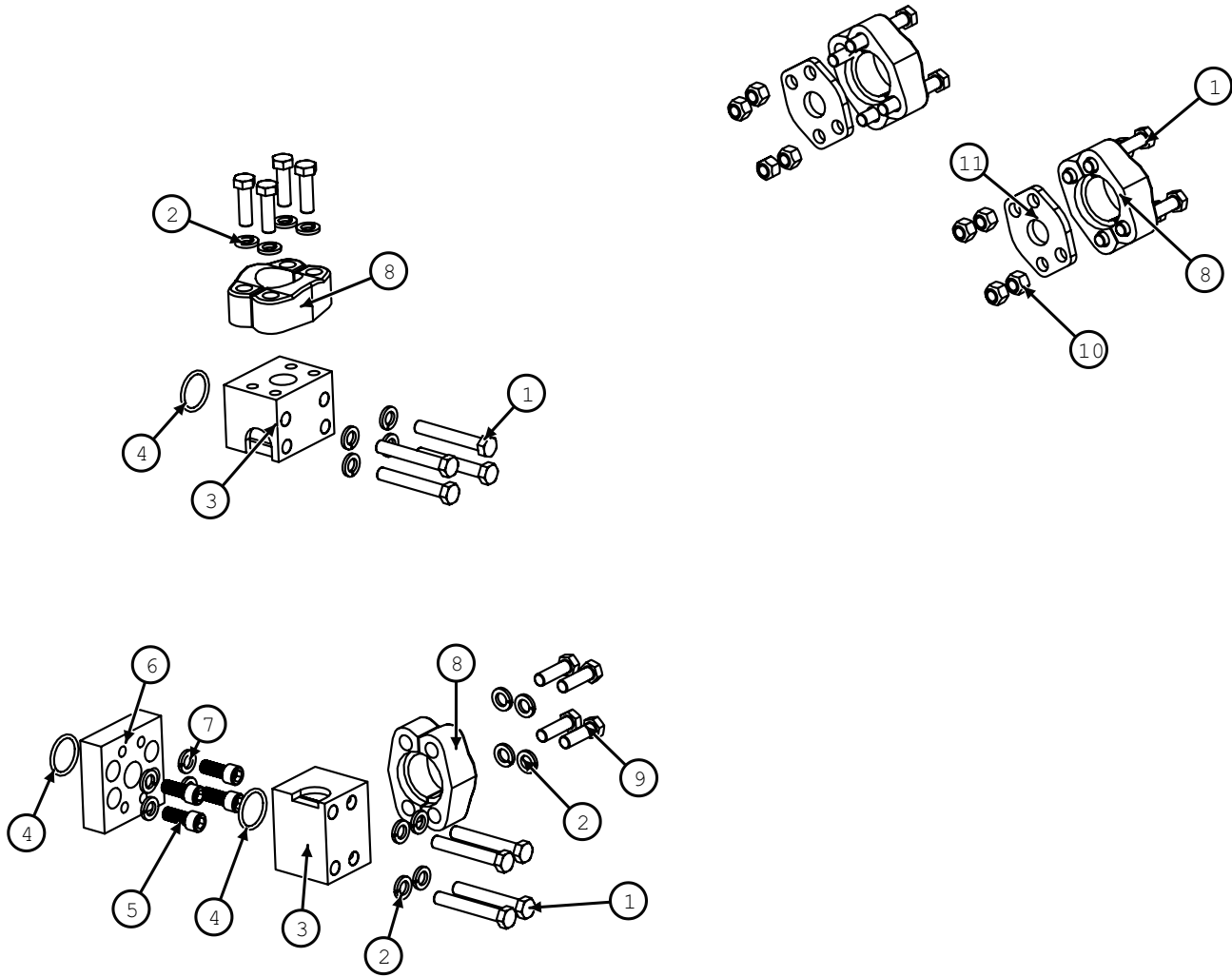
**Hydraulic Components**



Hydraulic Cylinders			
BOM ID	Part No.	Qty	Description
1	138011	2	ZERK, GREASE 1/4-28 STR
2	MC-140321	2	BEARING, SEALED SPHERICAL-1 IN
3	1001.06.06	1	STR -6MORB X -6MORS
4	1003.06.06	1	ELBOW, 90°, 6MF x 6MO
5	138582	1	CLY 2-1/2X10, INLINE PORTS
NS	HC-140321	-	SEAL KIT, SLAVE CYLINDER
6	1001.08.08	2	STR, -8MF x -8MO
7	151002	2	CYLINDER, CB VALVE, 4-1/2x11, 22-1/2CPC
NS	HC-135221	-	SEAL KIT, LEVELING CYLINDER
8	1003.08.08	4	ELBOW, 90°, #8MORS#8MORB
9	135771	1	1/4-28 MALE X 1/8 FPT 90°
10	140342	1	CYL, 3"B,8-3/4"S,1-3/8"R, 17-1/4"CPC, CROSS
NS	HC-134201	-	SEAL KIT, MASTER CYLINDER
11	135761	2	1/4-28 MALE X 1/8 FPT 45 DEG
12	1009.06	2	TEE, STRAIGHT THREAD, BRANCH -6MF x -6MO
13	MC-150881	4	1 3/8" BEARING, SEALED SPHERICAL

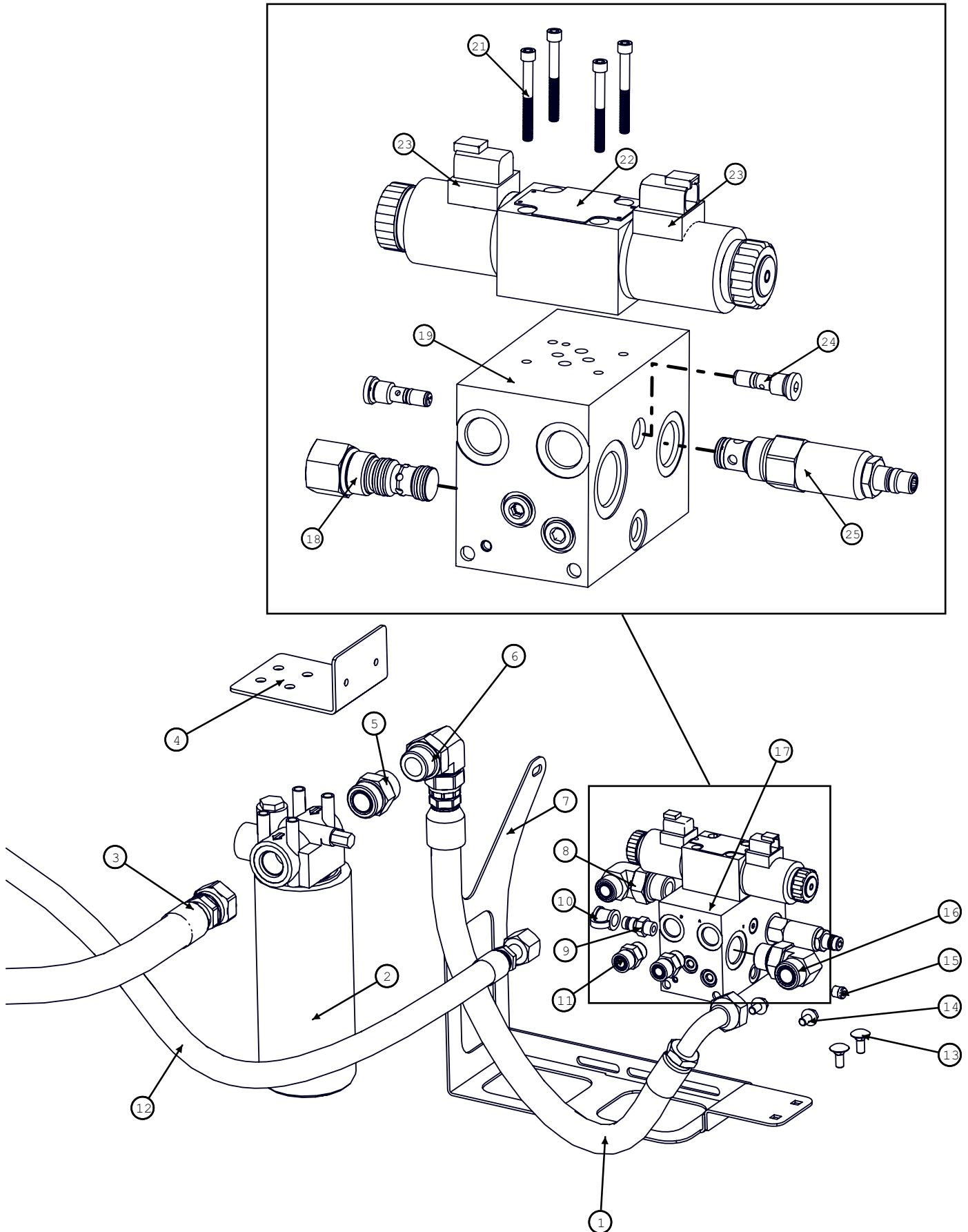
Model JS7010 Hillco Leveling System  
 For Serial Numbers JS7010-14001 thru JS7010-14999

**Hydro Hose Adapters**



Code 62 Adapters			
BOM ID	Part No.	Qty	Description
1	121.012.080	16	HC-10.9M12X1.75X80
2	139.008	16	LW 1/2 HD
3	1261082	2	HM BLOCK, CODE 62 90°
4	147551	3	O-RING, CODE 62, 1"
5	159.012.030	4	SHCS-12.9M12X1.75X30
6	1143372	1	HM ADAPTER, CODE 62 90° ROTATIONAL
7	135.008	4	LW 1/2 HD HIGH COLLAR
8	147601	8	FLANGE, 1" CODE 62, HALF
9	120.012.040	8	HC-10.9M12X1.75X40
10	126.012	8	HN-10.9M8X1.25 STVR
11	1272242	2	HM PLT, CODE 62 1" UNION

### Leveling Manifold

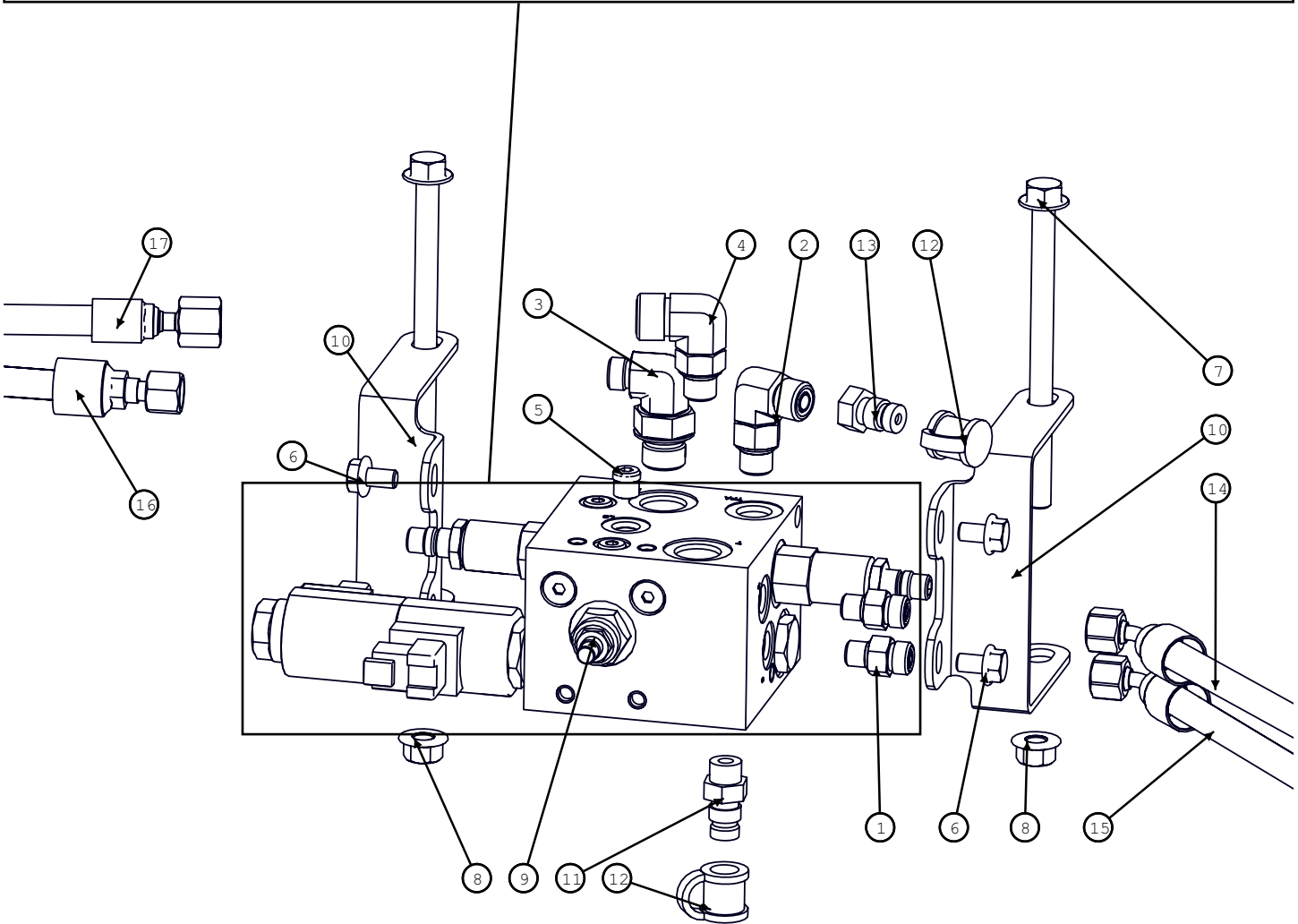
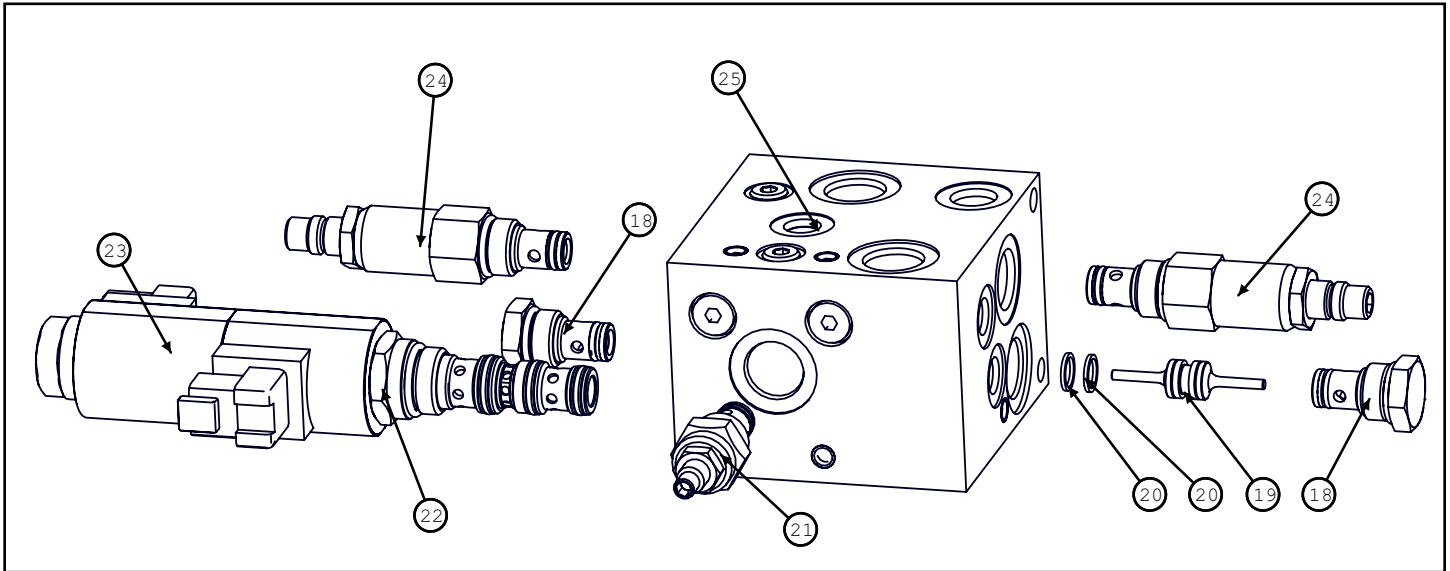


Model JS7010 Hillco Leveling System  
For Serial Numbers JS7010-14001 thru JS7010-14999

<b>Leveling Manifold</b>			
<b>BOM ID</b>	<b>Part No.</b>	<b>Qty</b>	<b>Description</b>
1	1295771	1	HYDRAULIC HOSE FROM MANIFOLD TO FILTER, 100R2-10, 252" 12FORS STR X 12FORS 90°
2	143441	1	FILTER ASM, OIL (
3	1295781	1	HYDRAULIC HOSE FROM FILTER TO TANK, 100R1-12, 252" 16FORS STR X 16FORS STR
4	1296121	1	MOUNT, RETURN FILTER
5	1001.16.16	1	-16MORB X -16MORFS
6	1003.16.12	1	16MORB - X-12MORFS
7	1313601	1	MANIFOLD MOUNT
8	1003.12.10	1	-12MORB X -10MORFS
9	143991	1	COUPLER,
10	144001	1	DUST COVER
11	1001.08.08	2	-8MORB X -8MORFS
12	1295741	1	HYDRAULIC HOSE FROM PUMP TO MANIFOLD, 100R2-10, 252", -10FORS 90° X -10FORS STR,
13	163.008	2	BOLT,CARR,CL8.8 M8X20
14	111.005	2	BOLT,HX,FL,GR5 5/16-18X1/2
15	1019.04	1	PLUG -4ORB
16	1003.12.12	1	-12MORB X -12MORFS
17	1309641	1	LEVELING MANIFOLD (SEE 18-25 FOR BREAKDOWN)
18	155241	1	LOGIC ELEMENT, HIGH PRESSURE
19	155235	1	MANIFOLD VALVE BODY, LEVELING
21	196.#10.028	4	SHCS 10-24 X 1.75
22	155237	1	DIRECTIONAL VALVE,PROPORTIONAL (INCLUDES PART NO. 155239)
23	155239	2	SOLENOID COIL,D03,PROP,DEUTSCH
24	155236	2	CAVITY PLUG, 2 WAY, 10 SERIES
25	155240	1	CARTRIDGE, PRESSURE RELIEF

Model JS7010 Hillco Leveling System  
For Serial Numbers JS7010-14001 thru JS7010-14999

**Header Trim Manifold**



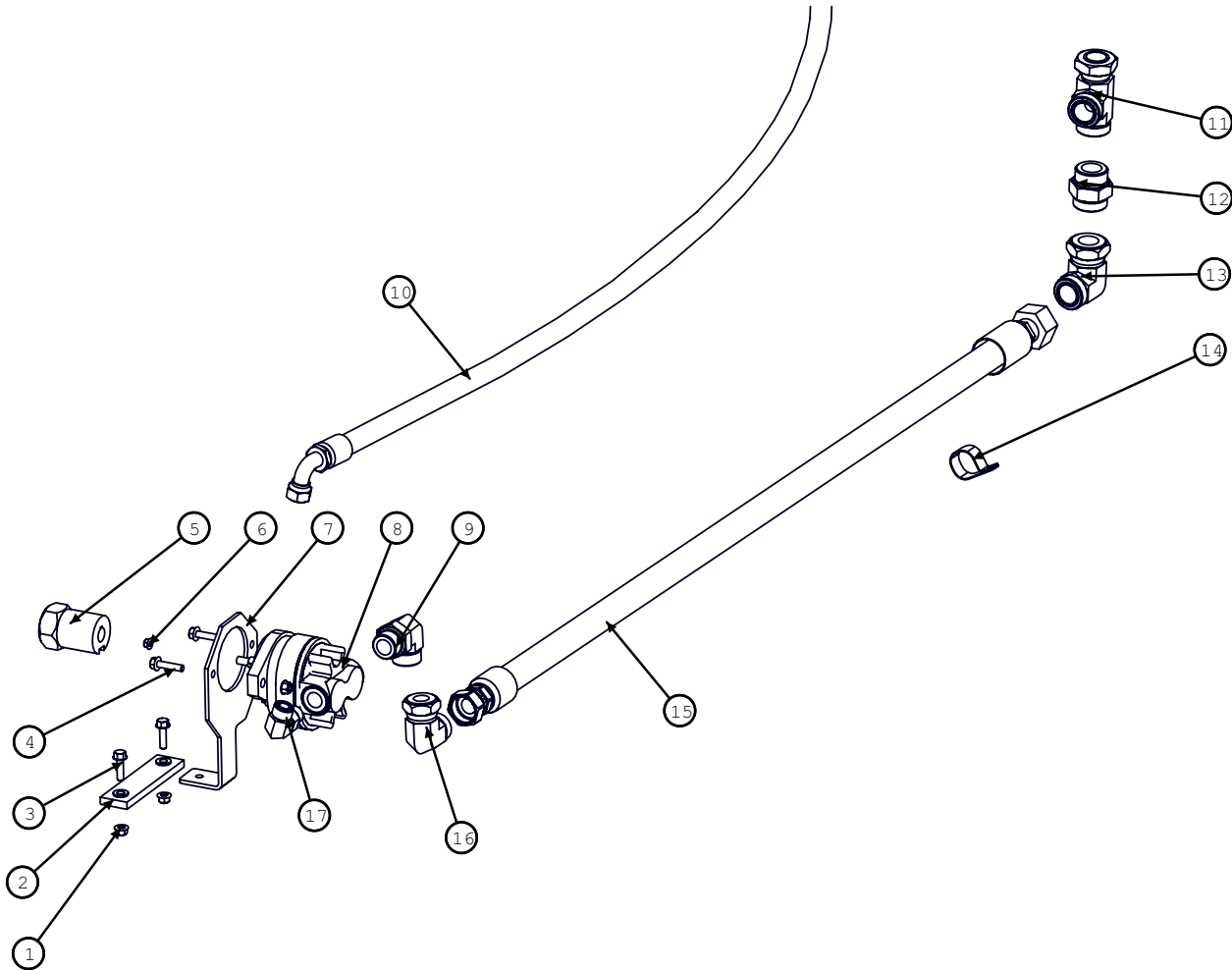
Model JS7010 Hillco Leveling System  
For Serial Numbers JS7010-14001 thru JS7010-14999

<b>Header Trim Manifold</b>			
<b>BOM ID</b>	<b>Part No.</b>	<b>Qty</b>	<b>Description</b>
1	1001.04.04	2	-4MORB X -4MORFS
2	1003.06.06	1	-6MORB X -6MORFS
3	1003.08.04	1	-8MORB X -4MORFS
4	1003.08.06	1	-8MORB X -6MORFS
5	1019.04	1	HA,PLUG,SKT,HD
6	111.005	4	BOLT,HX,FL,GR5 5/16-18X1/2
7	122.01	2	BOLT,HX,FL,CL10.9 M10X140
8	123.01	2	NUT,HX,FL,CL10 M10
9	1311571	1	MANIFOLD, CUSTOM, TRIM
10	1313632	2	LEG, TRIM MANIFOLD
11	143991	1	COUPLER,
12	144001	2	DUST COVER
13	155173	1	COUPLER,
14	1313671	1	CONNECTS TRIM MANIFOLD A PORT TO ROD PORT OF MASTER CYLINDER 451TC-04, 137", -4FF 45° X -6FF STR
15	1313681	1	CONNECTS TRIM MANIFOLD B PORT TO BASE PORT OF MASTER CYLINDER 451TC-04, 126", -4FF 45° X -6FF STR
16	1313902	1	CONNECTS HIC MANIFOLD TO P PORT OF TRIM MANIFOLD, 451TC-04, 252", - 4FF STR X -4FF STR
17	1313912	1	CONNECTS HIC MANIFOLD TO T PORT OF TRIM MANIFOLD, 451TC-04, 252", - 4FF STR X -6FF STR
18	155246	2	CHECK VALVE, CARTRIDGE
19	155245	1	PILOT PISTON, DOUBLE ACTING
20	155247	2	BACKUP RING
21	155244	1	NEEDLE VALVE, ADJUSTABLE FLOW
22	155249	1	CARTRIDGE VALVE, 3 POS,4 WAY (INCLUDES 155248)
23	155248	2	SOLENOID COIL, CARTRIDGE, PROP
24	155243	2	CARTRIDGE, PRESSURE RELIEF,
25	155242	1	VALVE BODY, TRIM



Model JS7010 Hillco Leveling System  
For Serial Numbers JS7010-14001 thru JS7010-14999

**Gear Pump**



Gear Pump			
BOM ID	Part No.	Qty	Description
1	128.008	4	NUT,HX,FL,STV,CL10 M8
2	155177	1	ISOLATOR, PUMP DRIVE
3	122.008.030	2	BOLT,HX,FL,CL10.9 M8X30
4	122.008.035	2	BOLT,HX,FL,CL10.9 M8X35
5	1295441	1	COUPLER, GEAR PUMP
6	192.006	1	NUT, HX, FL, STV, GR8,
7	1314191	1	TORQUE ARM
8	148181	1	HYDRAULIC PUMP ASSY,
9	1003.16.16	1	HA,90°
10	1295741	1	100R2-10, 252"
11	1008.2	1	HA,TEE,SWIVEL,NUT,RUN
12	1023.42.20	1	HA, STR, M42MMST X -20MORS
13	1006.20.20	1	HA,90°
14	135631	1	CLAMP, 1-1/2" R/C W 3/8
15	1295791	1	451TC-16, 55"
16	1006.16.16	1	HA,90°
17	1003.10.10	1	HA,90°

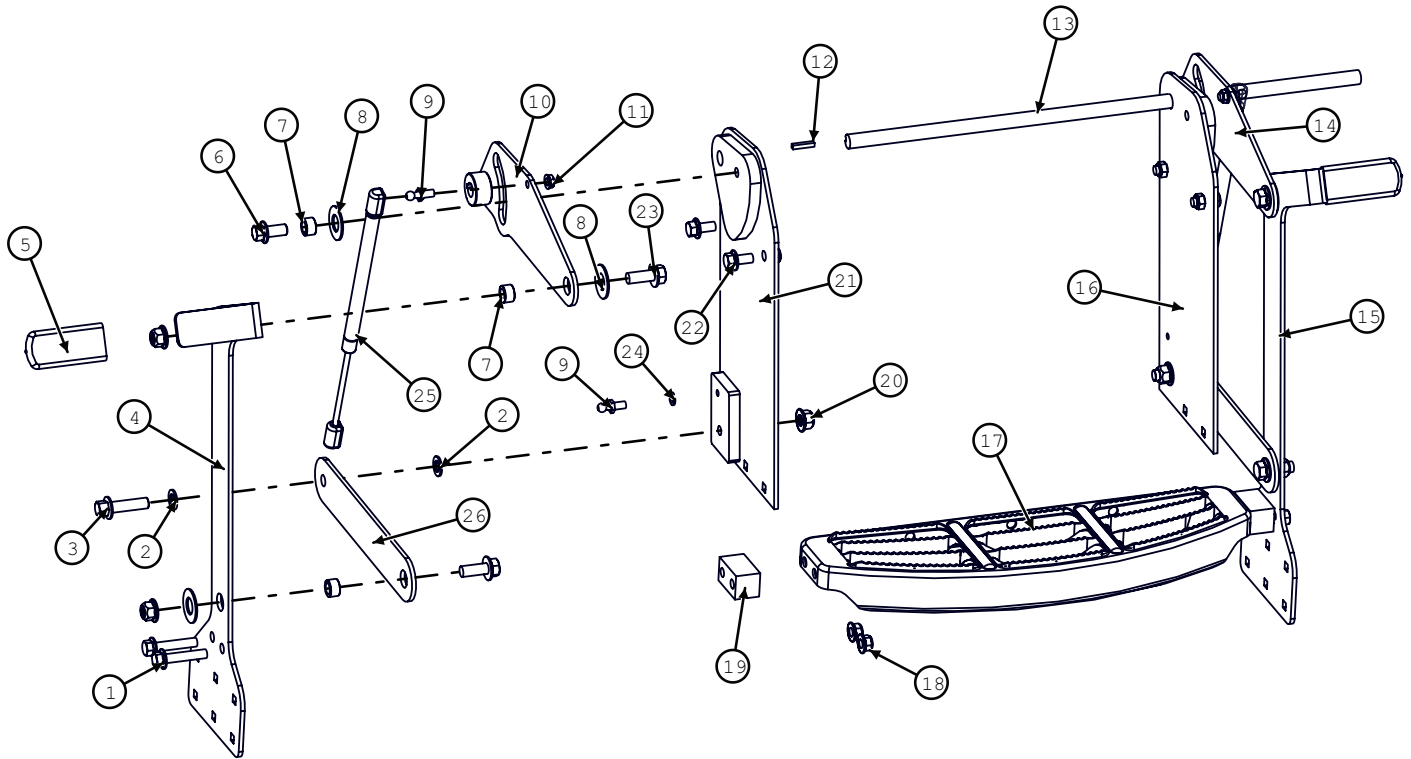
Model JS7010 Hillco Leveling System  
For Serial Numbers JS7010-14001 thru JS7010-14999

<b>Hydraulic Hoses</b>			
Common on all JS7010 Leveling Systems			
Part No.	Qty	Description	Hose Specs
1138942	1	Grease Hose	100R1-03, 33-1/2" 1/8 MPT X 1/8 MPT
1138951	1	Grease Hose	100R1-03, 40" 1/8 MPT X 1/8 MPT
1138963	1	Grease Hose	100R1-03, 54" 1/8 MPT X 1/8 MPT
1138974	2	Grease Hose	100R1-03, 77" 1/8 MPT X 1/8 MPT
1273461	2	Extends Steer Hoses	3/8" R2 #8FF#8MF 15"
1293431	2	Leveling Cylinder Cross-Over Hose	100R2-06 47" #8FORS #8FORS 90°
1295601	2	Leveling Manifold To Leveling Cyl	100R2-08, 103" 08FORSx08FORS
1295741	1	Pressure, Gear Pump To P Port	100R2-10, 252" 10FORS 90° X 10FORS STR
1295771	1	Return, Manifold To Filter Inlet	100R1-12, 22", 12FORS STR X 12FORS 90°
1295781	1	Return, Filter To Reservoir	100R1-12, 252" 16FORS STR X 16FORS STR
1295791	1	Suction, Reservoir To Gear Pump	100R16-16, 55" 16FORS STR X 20FORS STR
1295802	1	Replaces Jd Hdr Lift Hose	100R16-12, 86" -10FORS 90X16FORS
1296021	1	Replaces John Deere Header Lift Hose	100R2-08, 49" -8MORS STR X -8FORS 90°
1313671	1	Connects Trim Manifold A Port To Rod Port Of Master Cylinder	451TC-04, 137", -4FF 45° X -6FF STR
1313681	1	Connects Trim Manifold B Port To Base Port Of Master Cylinder	451TC-04, 126", -4FF 45° X -6FF STR
1313902	1	Connects Hic Manifold To P Port Of Trim Manifold	451TC-04, 252", -4FF STR X -4FF STR
1313912	1	Connects Hic Manifold To T Port Of Trim Manifold	451TC-04, 252"-4FF STR X -6FF STR
1313922	2	Connects Master Cylinder To Trim Cylinder	451TC-06, 158"-6FF STR X -6FF STR
Specific to Prodrive combines SN 765001 and later			
1273301	1	Extends Froward Hydro Line	EFG6K-16, 89" -16SPFL 90°x -16SPFL STR
1273462	2	Filter Head; Front & Side Port To Valve Block Ports	100R2-08 62", #10FF x #8FF 90°
1274111	1	Extends Case Drain	100R1-12 24", -16MF STR X -16 FF STR
1297421	1	Extends Ah226084 To Proportionator Motor Supply	100R2-10 66", -10FF 90° x -10MF STR
1297441	1	Extends Ah226085 To Proportionator Pump Supply	100R1-12 66", -12FF 90° x -12MF STR
1297452	1	Replaces Ah219243; Connects Rear Filter Port To Proportionator Motor Return	451TC, 5/8" X 127", -10FF STR x -10FF 90°
1297481	1	Extends Ah226119 To The Trans Lube	100R2-06 31", -6FF 90° x -6MF STR
1297641	1	Extends Right Brake Hose	100R2-06 78", -06MF STR x -06FF 90°
1297651	1	Extends Left Brake Line; Extends Lube Line	100R2-06 60", -06MF STR x -06FF STR
1299191	1	Extends Jd Hose To Shift Block	100R2-04 15", -6FF 90° X -6MF STR
1316861	1	Extends Reverse Hydro Line	EFG6K-16, 71"-16SPFL 90°x -16SPFL STR
Specific to Prodrive Combines SN 765000 and Earlier			
1273462	2	Filter Head; Front & Side Port To Valve Block Ports	100R2-08 62", #10FF x #8FF 90°
1274111	1	Extends Case Drain	100R1-12 24", -16MF STR X -16 FF STR
1276631	1	Extends Rear Hydrostat Line	100R15-16 128", 90° CODE 62 x STR CODE 62
1276642	1	Extends Forward Hydrostat Line (Pro-Drive)	100R15-16 122", 90° CODE 62 x STR CODE 62
1297421	1	Extends Ah226084 To Proportionator Motor Supply	100R2-10 66", -10FF 90° x -10MF STR
1297441	1	Extends Ah226085 To Proportionator Pump Supply	100R1-12 66", -12FF 90° x -12MF STR
1297452	1	Replaces Ah219243; Connects Rear Filter Port To Proportionator Motor Return	100R2-10 147", -10FF STR x -10FF 90°
1297481	1	Extends Ah226119 To The Trans Lube	100R2-06 31", -6FF 90° x -6MF STR
1297641	1	Extends Right Brake Hose	100R2-06 78", -06MF STR x -06FF 90°
1297651	1	Extends Left Brake Line; Extends Lube Line	100R2-06 60", -06MF STR x -06FF STR
1299191	1	Extends Jd Hose To Shift Block	100R2-04 15", -6FF 90° X -6MF STR
Specific to Standard Transmission			
1140403	1	Extends Case Drain	100R1-12, 74", -12MORS x -12FORS
1273301	1	Extends Froward Hydro Line	EFG6K-16, 89" -16SPFL 90°x -16SPFL STR
1296901	1	Extends Parking Brake Hose	100R2-08, 36", -8FORS X -8MORS
1316861	1	Extends Reverse Hydro Line	EFG6K-16, 71"-16SPFL 90°x -16SPFL STR
LA-130371	2	Extends Brake Line (L&R)	HOSE, TITEFLEX, 31" -4FORSx4FORS&4UNION

Model JS7010 Hillco Leveling System  
For Serial Numbers JS7010-14001 thru JS7010-14999

Model JS7010 Hillco Leveling System  
For Serial Numbers JS7010-14001 thru JS7010-14999

**RETRACTABLE LADDER**



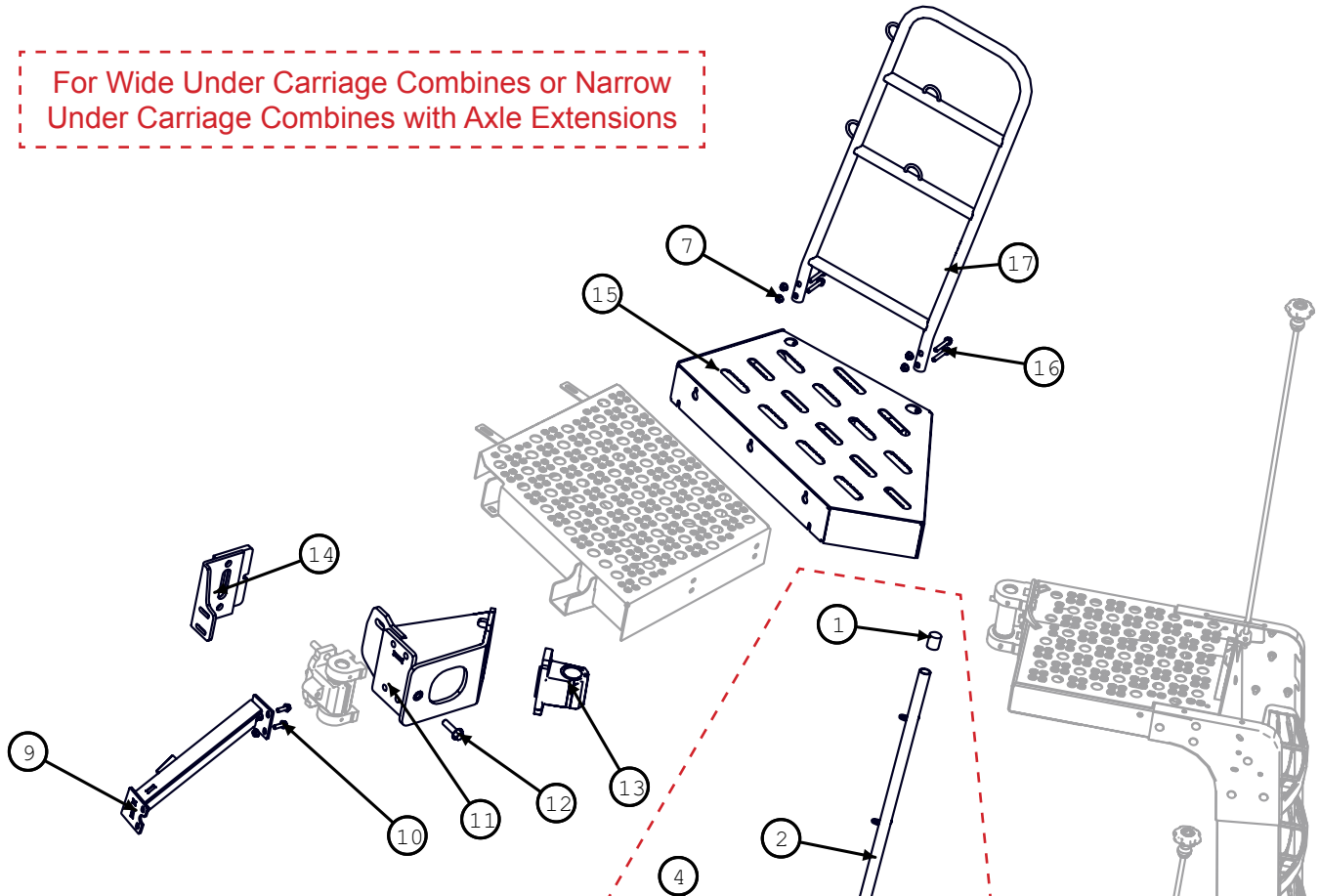
Model JS7010 Hillco Leveling System  
For Serial Numbers JS7010-14001 thru JS7010-14999

**Retractable Ladder**

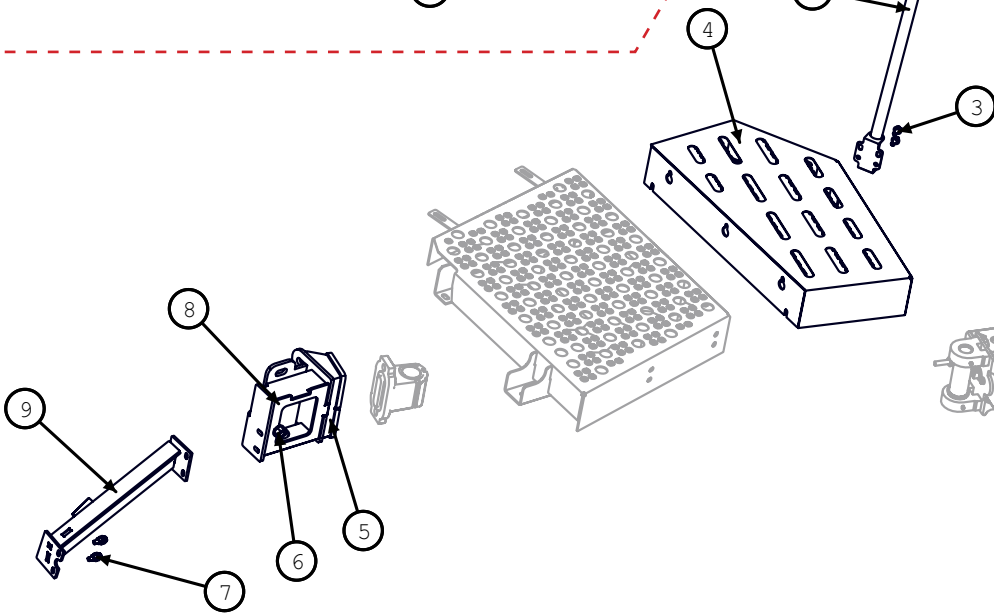
<b>BOM ID</b>	<b>Part No.</b>	<b>Qty</b>	<b>Description</b>
ASM	LA-297171	1	LM ASM, MOVING STEP (SIDEHILL)
1	F-HCF-10M050E	4	SCREW, FLANGED HEX CAP
2	F-MB-14NR08	4	MACHINE BUSHING 14GA NR 1/2ID
3	F-HCF-12M045E	2	FLHC-10.9M12X1.75X45
4	LB-298222	1	LM PLT, LADDER HANDLE, RIGHT
5	MC-151921	2	GRIP, JD#W25634
6	F-HCF-12M025E	2	FLHC-10.9M12X1.75X25
7	LM-299181	6	LM BUSHING, LADDER PIVOT
8	153.014.012	6	BUSHING,MACH,WR
9	MC-134931	2	LIFT SUPPORT BRACKETS (PAIR)
10	LW-298272	1	LM ASM, UPPER CONTROL LINK, RIGHT
11	F-HNF-05C	2	FLHN 5/16-18
12	F-KST-03X03X16	2	KEY, STR, 3/16 X 3/16 X 1
13	LM-298191	1	LM RND, ROCK SHAFT
14	LW-298252	1	LM WLD, UPPER CONTROL LINK
15	LB-298182	1	LM PLT, LADDER HANDLE, LEFT
16	LM-298132	1	LM WLD, LFT LADDER MNT
17	MC-152601	1	STEP, PLATFORM, STEP (HXE19816)
18	F-HNFS-10ME	8	FLHN-10.9M10X1.5 STVR
19	LM-299071	2	LM SPACER, LADDER STEP
20	F-HNFS-12ME	6	FLHN-10.9M12X1.75 STVR
21	LM-298212	1	LM WLD, RHT LADDER MNT
22	F-HCF-10M020E	4	FLHC-10.9 M10X1.75X20
23	F-HCF-12M30E	4	FLHC-10.9 M12X1.75X30
24	F-LW-05	2	LOCK WASHER 5/16"
25	MC-139251	2	GAS CHARGED LIFT SUPPORT
26	LM-298171	2	LM PLT, LOWER CONTROL LINK

### Ladder Wedge

For Wide Under Carriage Combines or Narrow Under Carriage Combines with Axle Extensions



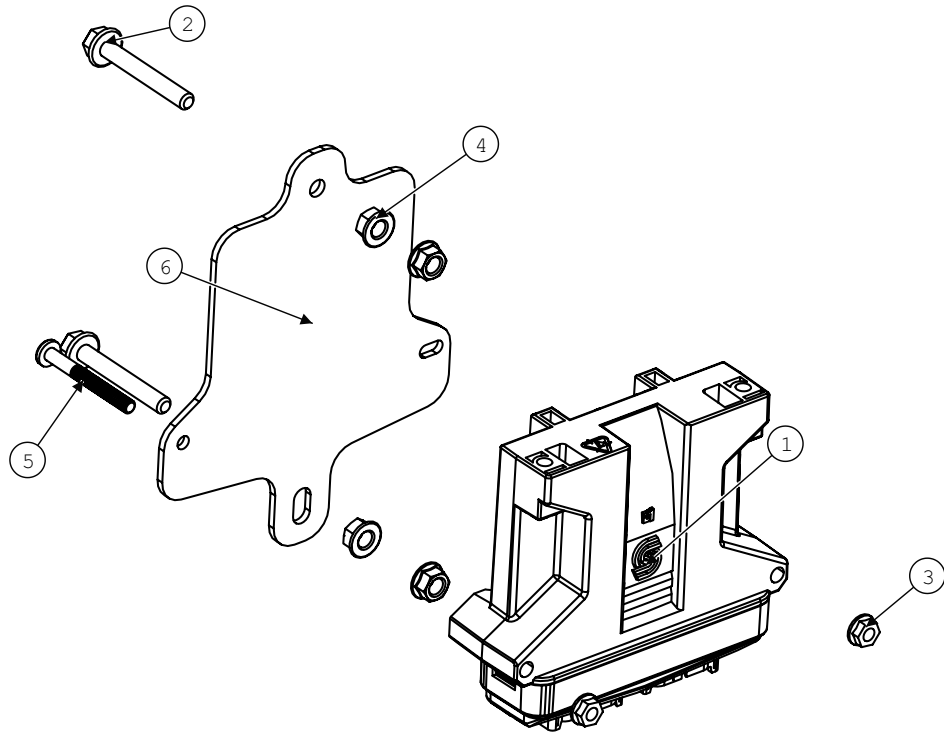
For Narrow Under Carriage Combines



Model JS7010 Hillco Leveling System  
For Serial Numbers JS7010-14001 thru JS7010-14999

<b>Ladder Wedge</b>			
<b>BOM ID</b>	<b>Part No.</b>	<b>Qty</b>	<b>Description</b>
1-9	1314181	1	Narrow Undercarriage Ladder
1	151681	1	SHORT CAP, BLK, 1-1/4ID X 1-1/2L
2	1296681	1	HANDRAIL CORNER
3	122.010.020	4	BOLT,HX,FL,CL10.9 M10X20
4	1301803	1	PLATFORM, 17"
5	122.016.050	2	BOLT,HX,FL,CL10.9 M16X50
6	123.016	1	NUT,HX,FL,CL10 M16
7	123.01	12	NUT,HX,FL,CL10 M10
8	1300681	1	PIVOT EXTENSION
9-17	1314171	1	Wide Undercarriage Ladder or Narrow with Axle Extensions
9	1296081	2	LADDER BRACE
10	122.010.030	4	BOLT,HX,FL,CL10.9 M10X30
11	1300932	1	PIVOT EXTENSION
12	122.016.060	1	BOLT,HX,FL,CL10.9 M16X60
13	154501	1	PIVOT, LADDER,
14	1301181	1	SUPPORT BRACKET
15	1301102	1	PLATFORM
16	122.010.060	4	BOLT,HX,FL,CL10.9 M10X60
17	MC-153571	1	HANDRAIL, EXTENSION ASSY FRONT ( AXE16380)

### Controller/Wiring Harnesses



Electrical Components			
BOM ID	Part No.	Qty	Description
1-6	LA-295211	1	EM ASM, CONTROLLER W/MNT
1	1295221	1	SAUER-DANFOSS PLUS 1 CONTROLLER
2	122.008.060	2	FLHC-M08X1.25X60
3	119.004	2	FLHN-GR5 1/4-20
4	123.008	4	FLHN 10.9 M8 X 1.25
5	114.004.036	2	PHMS-GR5-1/4-20 X 2-1/4"
6	1295201	1	EM PLT, CONTROLLER MNT

Wiring Harnesses			
BOM ID	Part No.	Description	Purpose
NS	1294743	EM HARNESS, PRIMARY	POWER SUPPLY & SENSOR PACKAGE
NS	LA-295342	EM HARNESS, TA SENSOR	TRANSITION TILT SENSOR
NS	1295181	EM HARNESS, SENSOR PACKAGE	SENSOR PACKAGE WIRING
NS	1260222	TRIM SIGNAL	CONNECTS TRIM MANIFOLD TO DEERE CONTOUR MASTER



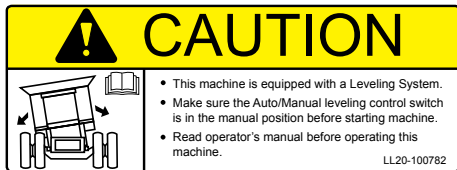
**Decals and Literature**



1) LL-133741



2) LL-151041



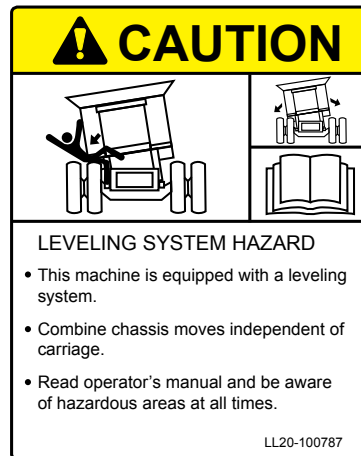
3) LL20-100782



4) LL20-100784



5) LL20-100783



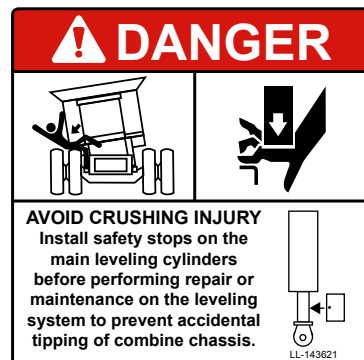
6) LL20-100787



7) LL20-100786



8) LL20-100788



9) LL-143621

Model JS7010 Hillco Leveling System  
For Serial Numbers JS7010-14001 thru JS7010-14999

DECALS AND LITERATURE				
REF.	PART NO.	QTY.	PART NAME	DESCRIPTION
1	LL-133741	1	LABEL, GREASE 50 HRS	OC BULKHEAD
1	LL-133741	2	LABEL, GREASE 50 HRS	RIGHT & LEFT MAIN LEV CYL BOTTOM
1	LL-133741	1	LABEL, GREASE 50 HRS	MASTER CYLINDER ROD
2	LL-151041	2	DECAL, HILLSIDE LEVELING SYSTEM	SIDE OF COMBINE
4	LL20-100782	1	CAUTION LEVELING SYSTEM CAB	WINDOW IN CAB
5	LL20-100783	2	DANGER, CRUSHING HAZARD	RIGHT & LEFT UNDERCARRIAGE
5	LL20-100783	2	DANGER, CRUSHING HAZARD	SIDES OF DROP AXLE ASSEMBLY
6	LL20-100784	2	DECAL, DANGER PINCH POINT	RIGHT & LEFT UPPER TRANS FACE PLT
7	LL20-100786	1	WARNING ELECTRICAL CRUSHING HAZARD	FRONT OF ELECTRICAL CONTROL BOX
8	LL20-100787	1	CAUTION - LEVELING SYSTEM HAZARD	ON LADDER PLATFORM
9	LL20-100788	1	DANGER - HYDRAULIC HAZARD	ON SIDE OF COMBINE ABOVE THE HYDRAULIC MANIFOLD
9	LL20-100788	2	DANGER - HYDRAULIC HAZARD	FOR EACH LEVELING CYLINDER
10	LL-143621	2	DANGER, AVOID CRUSHING INJURY	IN AREA NEAR SAFETY STOP STORAGE LOCATION
NS	LL-147651	1	LABEL, FEMA MEMBER TAG	NEAR SERIAL NUMBER TAG
NS	LA-255961	1	TAG, SERIAL NUMBER	
NS	LL-289641	1	CM LABEL, MECHANICAL CYLINDER STOP	
NS	D-120620CMA01A	1	MANUAL, PARTS	
NS	D-111124CMA01B	1	MANUAL, OPERATORS	
NS	D-050611SLR01	1	WARRANTY REGISTRATION CARD	
NS	LL-239412	1	LABEL, STEERING WHEEL	TIED TO STEERING WHEEL DURING INSTALLATION
NS	D-120412CMA01	3	DEALER PDI & INSTALL CHECKLIST	

Model JS7010 Hillco Leveling System  
For Serial Numbers JS7010-14001 thru JS7010-14999

**Notes**

Hillco Technologies, Inc.  
107 1st Avenue  
Nezperce, Idaho 83543

Phone	800-937-2461
	208-937-2461
Fax	208-937-2280

[www.hillcotechnologies.com](http://www.hillcotechnologies.com)  
email: [support@hillcotechnologies.com](mailto:support@hillcotechnologies.com)