

Model JS7010 Hillco Leveling System  
For Serial Numbers JS7010-13001 thru JS7010-13999



# **Model JS7010 Sidehill Leveling System Parts Manual**

SN JS7010-13001 thru JS7010-13999

For John Deere S660 & S670  
S Series Combines

D-120621CMA01A



# JS7010 Sidehill Leveling System

For S660 & S670 S Series Combines

## Table of Contents

<b>General Information</b>	<b>3</b>
Serial Number Location	3
Text and Illustrations	3
Abbreviations	3
Right and left Identification	3
Part Orders	3
<b>Transition</b>	<b>4</b>
Tilt Sensor	5
Transition Throat	6
Transition Header Adapter	8
<b>Carriage</b>	<b>10</b>
Overcarriage	11
Undercarriage	13
Carriage Misc. Parts	14
Carriage Position Sensor	15
<b>Drop Axle</b>	<b>17</b>
<b>Hydraulic Components</b>	<b>18</b>
Hydro Hose Adapters	19
Leveling Manifold	20
Header Trim Manifold	22
Gear Pump	24
Standard Transmission Hydraulic Hoses	25
ProDrive Transmission Hydraulic Hoses	26
<b>Retractable Ladder</b>	<b>27</b>
<b>Ladder Wedge</b>	<b>29</b>
<b>Electrical</b>	<b>31</b>
Controller/Wiring Harnesses	31
<b>Decals and Literature</b>	<b>32</b>

### Contact Information

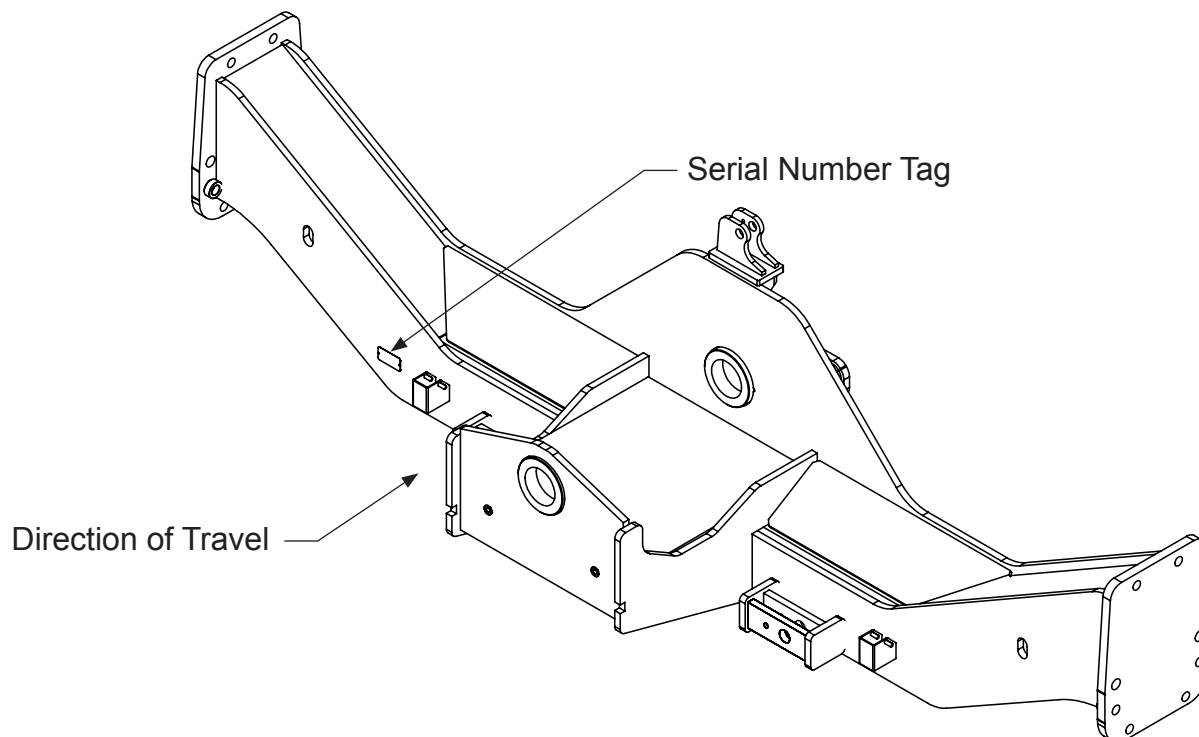
Hillco Technologies, Inc.  
107 1st Avenue  
Nezperce, Idaho 83543

Phone	800-937-2461
	208-937-2461
Fax	208-937-2280

[www.hillcotechnologies.com](http://www.hillcotechnologies.com)  
email: [support@hillcotechnologies.com](mailto:support@hillcotechnologies.com)

## **GENERAL INFORMATION**

### **SERIAL NUMBER LOCATION**



### **TEXT AND ILLUSTRATIONS**

The arrangement of this parts catalog is for easy identification of parts. All parts are illustrated in exploded views in proper relation to each other. Some diagrams refer to other pages for further information. Reference numbers used in the illustrations refer to line numbers in the part lists. The part lists appear to the right or below all diagrams and correspond with those diagrams. Included in the part lists, along with the reference numbers are part numbers, part descriptions and the quantity of the part required per leveling system.

### **ABBREVIATIONS**

**SN** "Serial Number" refers to the serial number given to each leveling system (by Hillco Technologies), as well as the serial number given to the combine (by the specific combine manufacturer) the leveling system is installed. See above for the leveling system's serial number location. This abbreviation is used interchangeably in both instances. Each Model JS7010 Leveling System uses the following serial number format: JS7010-XXXXX (sequential numbers).

**ASM** "Assembly" refers to a whole grouping of parts (shown in the diagram corresponding with the page where "ASM" is shown unless otherwise noted). Some assemblies have parts that are sold separately, however some must be purchased as a single unit. Hillco Product Specialists will be able to assist you with any questions.

**NS** "Not Shown" refers to a part that is not depicted in the illustration.

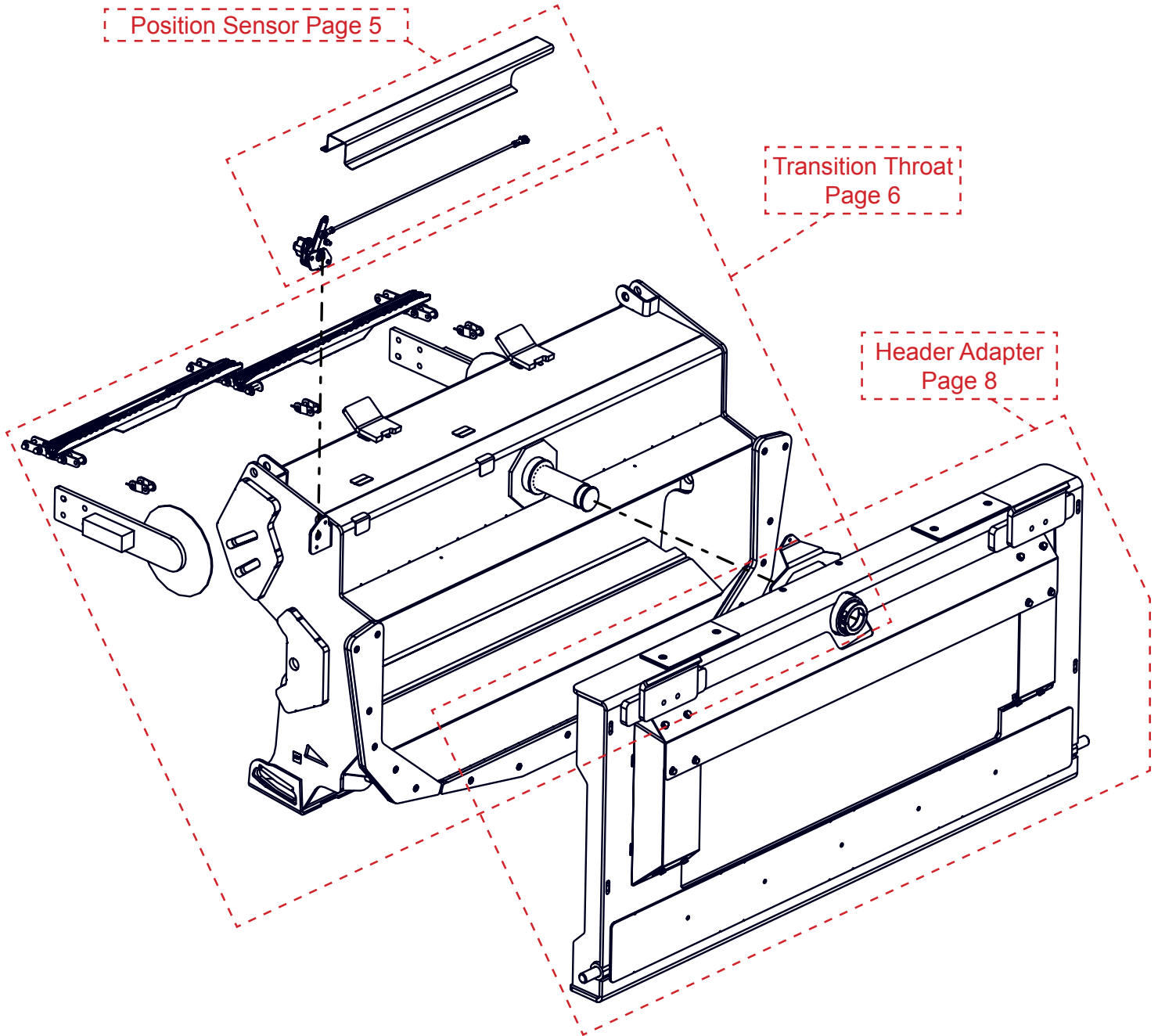
### **RIGHT AND LEFT IDENTIFICATION**

The reference to right-hand and left-hand in this catalog is identified by the operator sitting in the operator's seat, looking toward the front of the machine (in normal forward travel).

### **PART ORDERS**

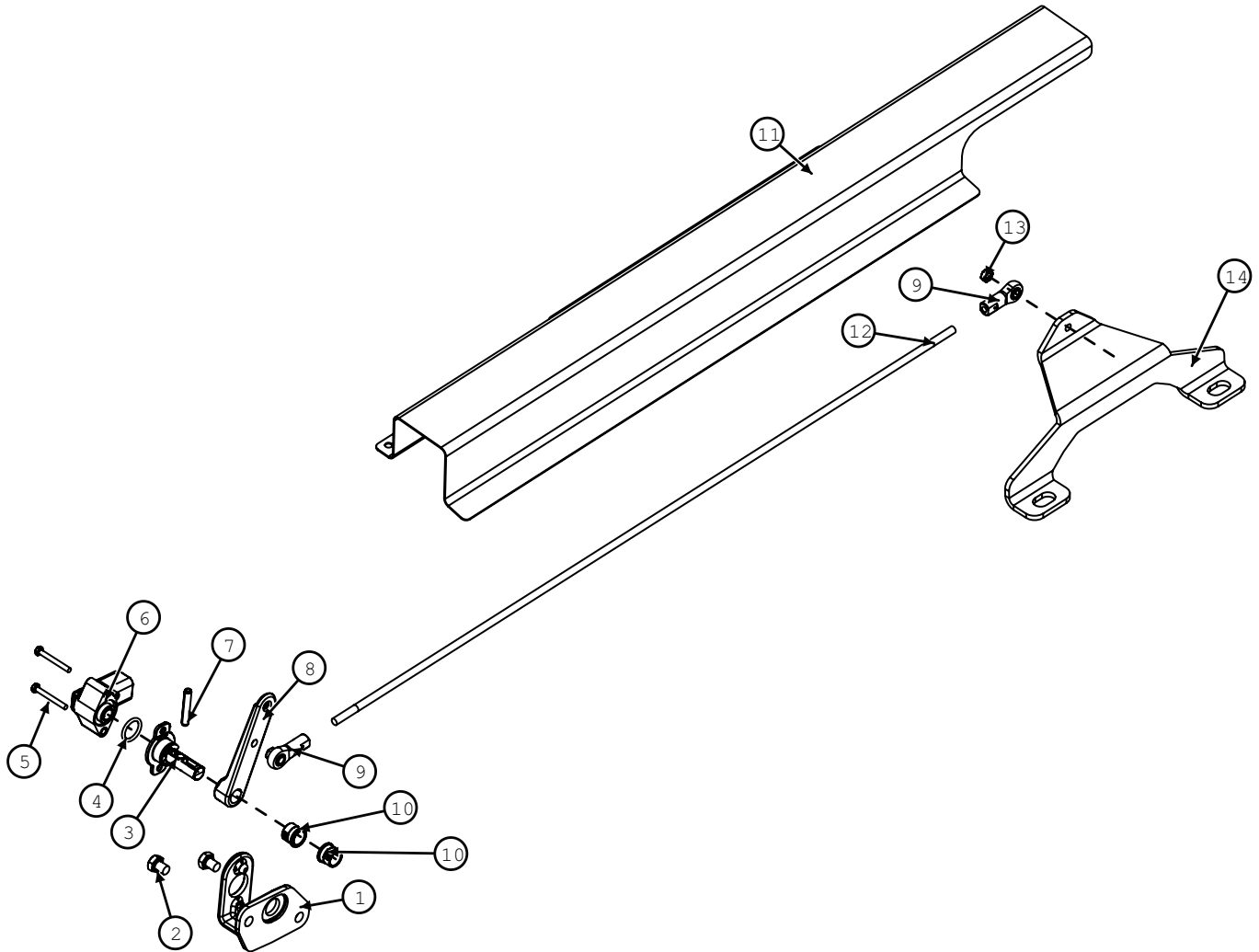
Orders must specify product model, serial number, correct part number, complete description, quantity required, method of shipment, shipping address, and billing address.

## **TRANSITION**



Model JS7010 Hillco Leveling System  
For Serial Numbers JS7010-13001 thru JS7010-13999

**TRANSITION TILT SENSOR**

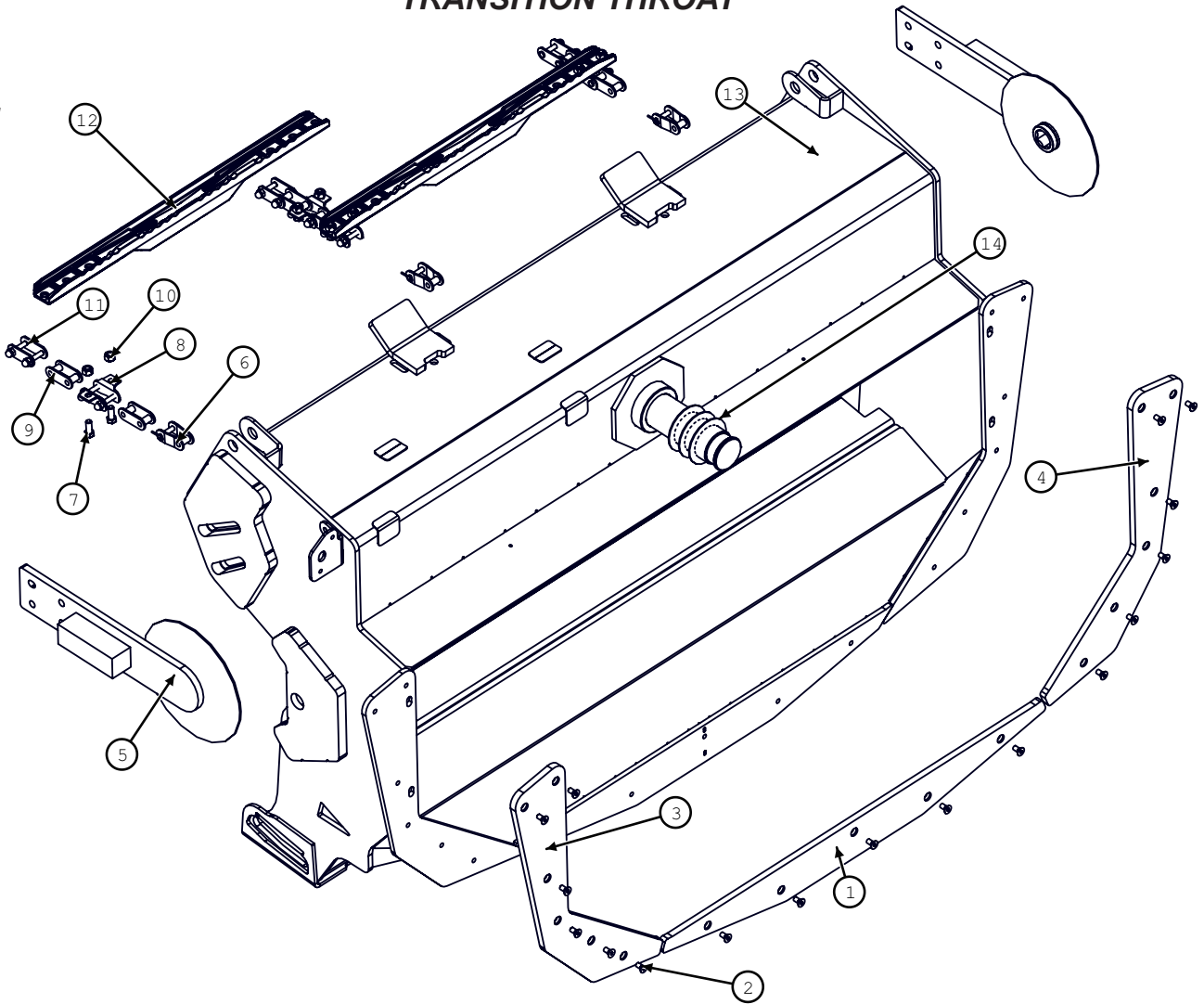


Transition Header Sensor			
BOM ID	Part No.	Qty	Description
1	MC-151321	1	BRACKET, SENSOR MNT (HXE16001)
2	F-HC-08M010F	2	HC-8.8M8X1.25X10 (19m7008)
3	MC-151401	1	SHAFT, ROUGH SERVICE DEVICE (AXE14888)
4	MC-151391	1	O-RING, 11/16ID (P48347)
5	F-HC-04M035E	2	HC-8.8M4X0.7X035 (19m9368)
6	EC-151381	1	SENSOR, ROTATION, HALL 2CH +/-120DE (axe14246)
7	F-PR-06Mx36	1	PIN, ROLL 6mm x 36mm
8	MC-151371	1	LM ARM, TA SENSOR
9	MC-151881	2	ROD END, BALL JOINT, FEMALE, 1/4-28
10	MC-151361	2	BUSHING, (R41076)
11	LB-295541	1	TA SHIELD, SENSOR LINKAGE
12	LS-295502	1	TM ROD, SENSOR LINK
13	F-HNN-06MF	2	HN-8.8M6X1.0 NYLOCK
14	LB-295522	1	TA MNT, SENSOR LINK
9, 12, 13	LA-295572	1	SENSOR LINK ASSEMBLY

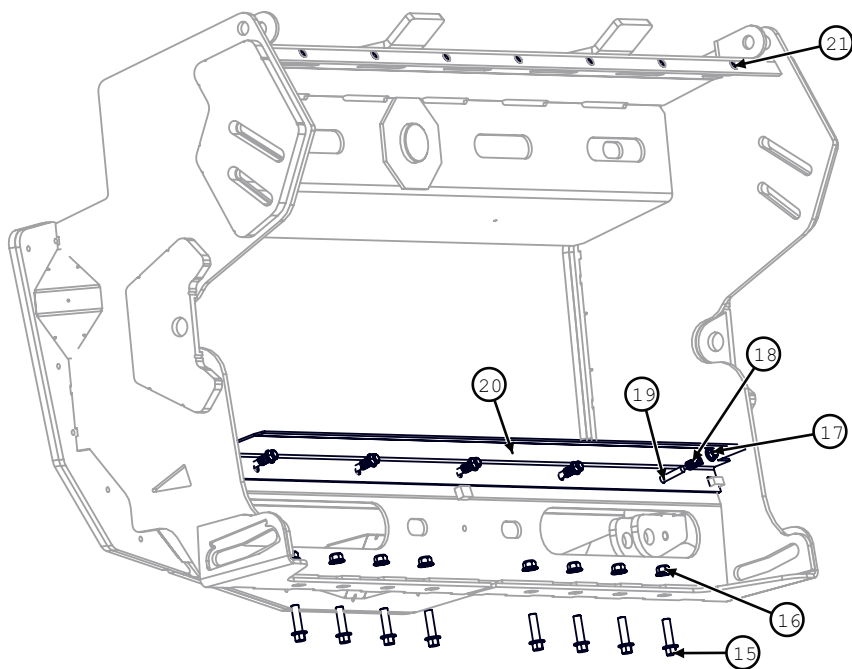
Model JS7010 Hillco Leveling System  
For Serial Numbers JS7010-13001 thru JS7010-13999

**TRANSITION THROAT**

**Front**



**Back**

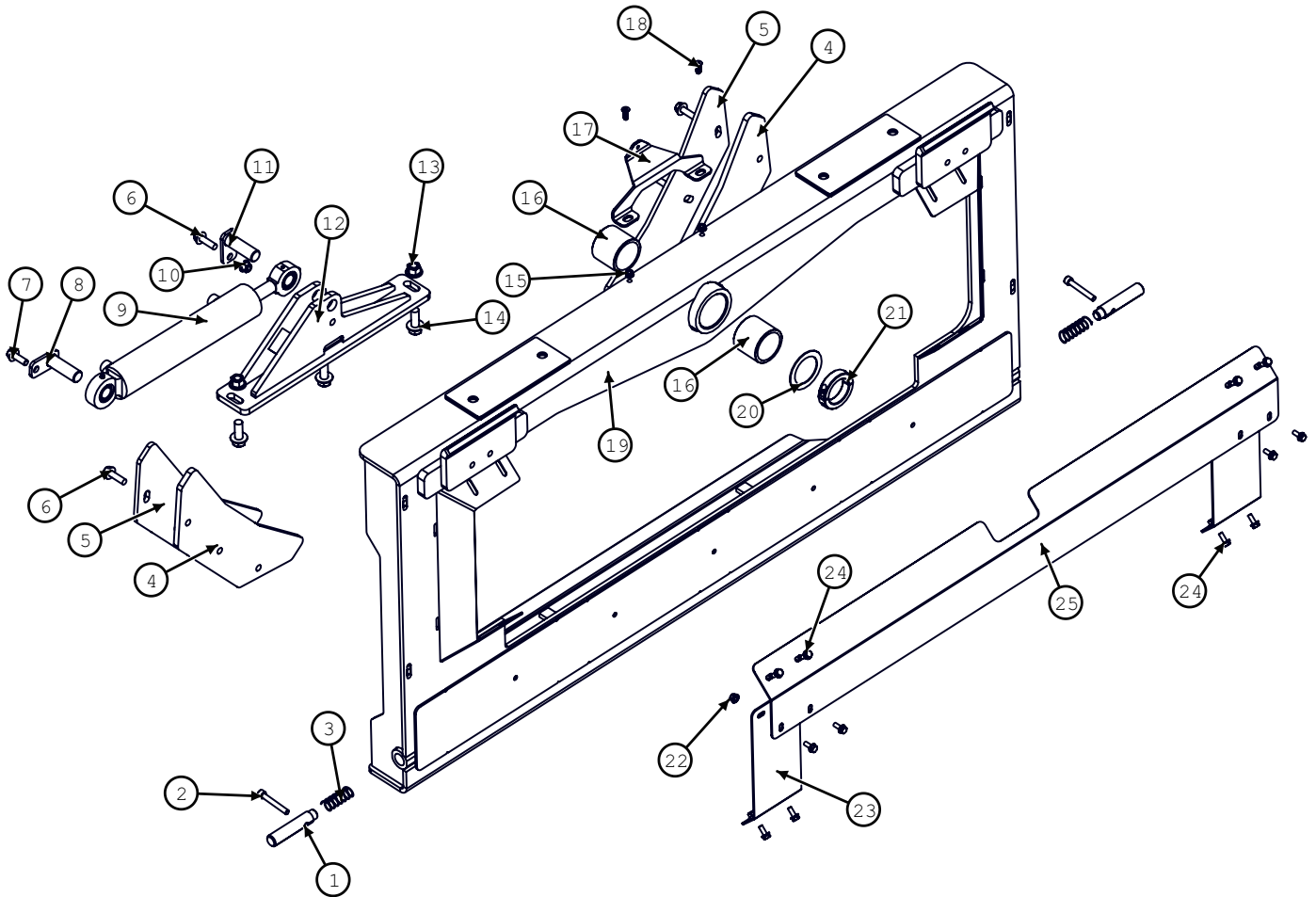


Model JS7010 Hillco Leveling System  
For Serial Numbers JS7010-13001 thru JS7010-13999

<b>Transition Throat</b>			
<b>BOM ID</b>	<b>Part No.</b>	<b>Qty</b>	<b>Description</b>
1	LM-250581	1	TM UHMW, BOTTOM WEARPAD
2	F-FHS-8M016E	17	FHSC-10.9M8X1.25X016
3	LM-250571	1	TM UHMW, RIGHT WEARPAD
4	LM-250561	1	TM UHMW, LEFT WEARPAD
5	LA-269141	2	LM ASM, FDR DRUM ARM (70SERIES 730101-)
6	MC-146641	3	LINK, OFFSET COUPLER CA557 (AH220867)
7	F-HC-10M020E	8	FLHC-M10X1.5X20
8	MC-146381	4	LINK-W/K6, CA557 (AH220868)
9	MC-146391	5	LINK, FEMALE, CA557 (AH209911)
10	F-HNS-10ME	8	HEX NUT-10.9 M10 X 1.50 STOVER PLT
11	MC-140261	3	CHAIN LINK COUPLER, CA557 (JD#AH220541)
12	MC-146402	2	SLAT, CAST (H229581)
13	LW-290461	1	TT ASM, FRONT
14	F-MB-14NR40	3	MACHINE BUSHING 14GAUGE 2-1/2"
15	F-HCF-12M045E	8	FLHC-10.9M12X1.75X45
16	F-HNFS-12ME	8	HEX FLANGE NUT 10.9M12
17	F-HNFS-10ME	5	FLHN-10.9M10X1.5 STVR
18	MC-143591	5	SPRING, C .703DX1.09LX.125W
19	F-CB-10M060F	5	CARR-8.8M10X1.5X60
20	LB-290671	1	TT SHT, FLEX FLOOR
21	F-HNF-08ME	7	FLHN-10.9M8X1.25

Model JS7010 Hillco Leveling System  
For Serial Numbers JS7010-13001 thru JS7010-13999

**TRANSITION HEADER ADAPTER**





Model JS7010 Hillco Leveling System  
For Serial Numbers JS7010-13001 thru JS7010-13999

<b>Transition Header Adapter</b>			
<b>BOM ID</b>	<b>Part No.</b>	<b>Qty</b>	<b>Description</b>
1	LM-229193	2	TA RND, LOCKOUT PIN
2	F-SHC-10M070F	2	SHCS-8.8 M10 X 1.50 X 70 PLT
3	MC-135531	2	SPRING, COM, 1"ODx2-7/8"Lx .0625W
4	LP-250551	2	TM UHMW, BACKING WEARPAD
5	LP-250541	2	TM PLT, BACKING
6	F-HCF-12M040E	7	FLHN-10.9 M12X1.75X040
7	F-HCF-12M025E	1	FLHC-10.9 M12 X 1.75 X 25
8	LA-253883	1	LM ASM, PIN
9	HC-138582	1	CLY 2-1/2X10, INLINE PORTS
10	F-HNSF-12ME	1	FLHN 10.9 M12 X 1.75 STOVER
11	LA-253883	1	LM ASM, PIN
12	LA-250713	1	TM WLD, SLAVE CYL ROD MNT
13	F-HNSF-16ME	2	FLHN-10.9M16X2.00 STV
14	F-HCF-16M040E	3	FLHC-10.9 M16X2.00X040
15	F-HNF-08ME	2	FLHN-10.9M8X1.25
16	LTP-241721	2	LTM BUSHING, PVT
17	LB-295522	1	TA MNT, SENSOR LINK
18	F-FHS-8M025E	2	FHSC-10.9 M8 X 1.25 X 25
19	LW-250165	1	TA ASM
20	F-MB-14NR40	1	MACHINE BUSHING 14GAUGE 2-1/2"
21	MC-150742	1	COLLAR,CLAMPING,2-1/2 ID 3-3/4 OD, 2 PIECE HEAVY
22	F-HNFS-08ME	12	FLHN-10.9M08X1.25 STOVER
23	LP-250534	2	TM PLATE, L&R SHIELD
24	F-HCF-08M020E	12	FLHC-10.9M8X1.25X20
25	LP-250522	1	TM PLATE, TOP SHIELD

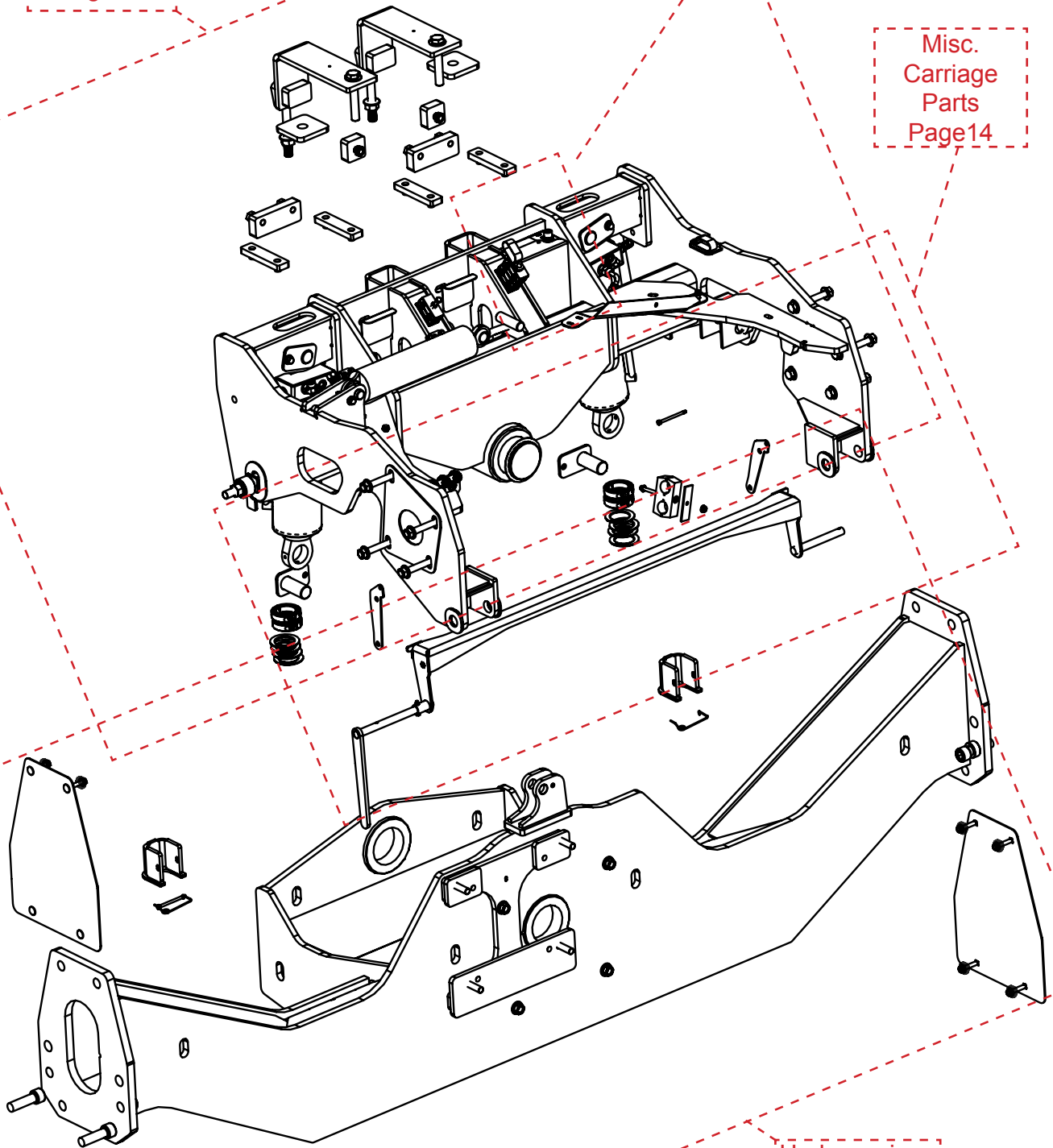
Model JS7010 Hillco Leveling System  
For Serial Numbers JS7010-13001 thru JS7010-13999

**Carriage**

Overcarriage  
Page 11

Carriage  
Position Sensor  
Page 15

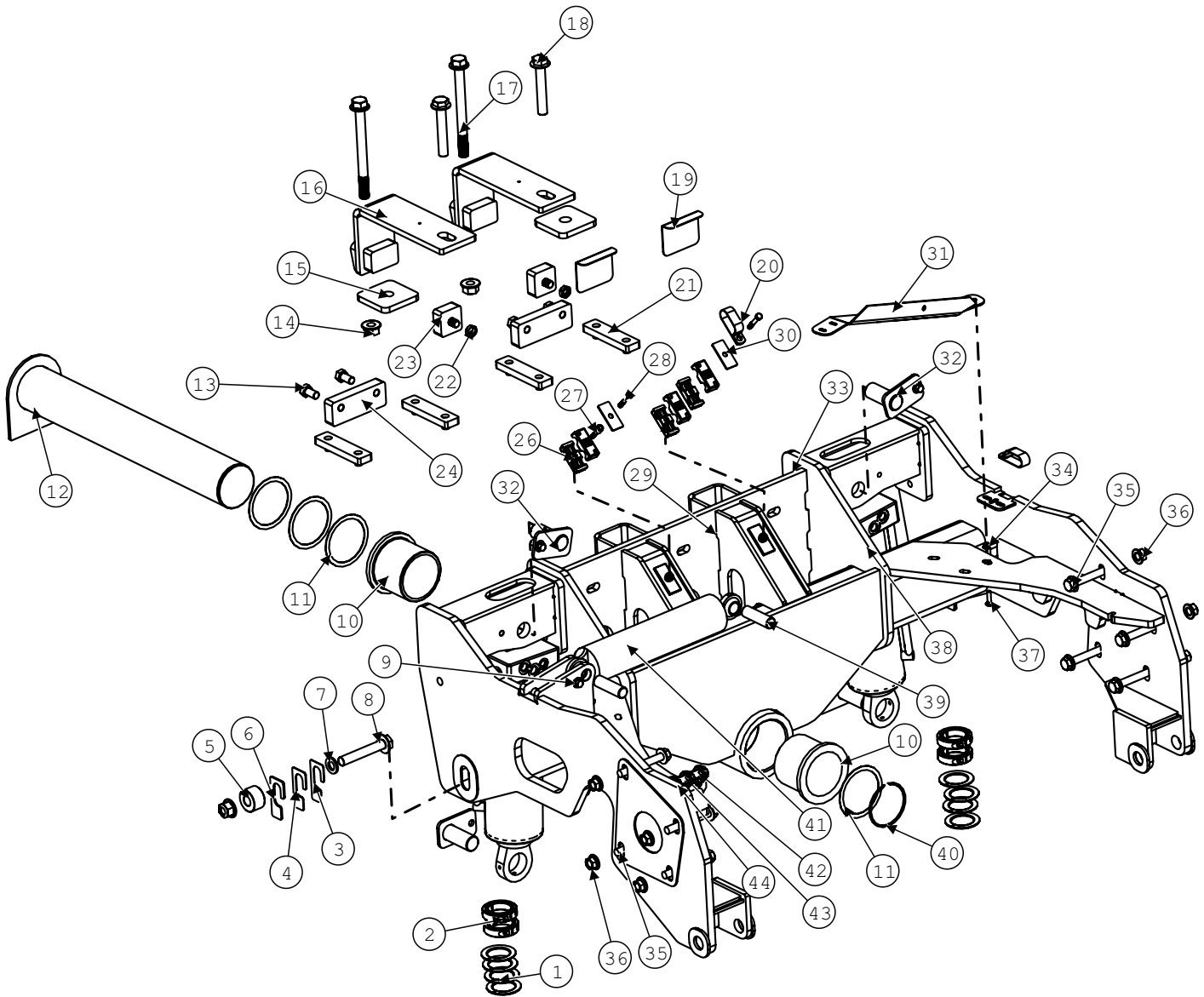
Misc.  
Carriage  
Parts  
Page 14



Undercarriage  
Page 13

Model JS7010 Hillco Leveling System  
For Serial Numbers JS7010-13001 thru JS7010-13999

**Overcarriage**

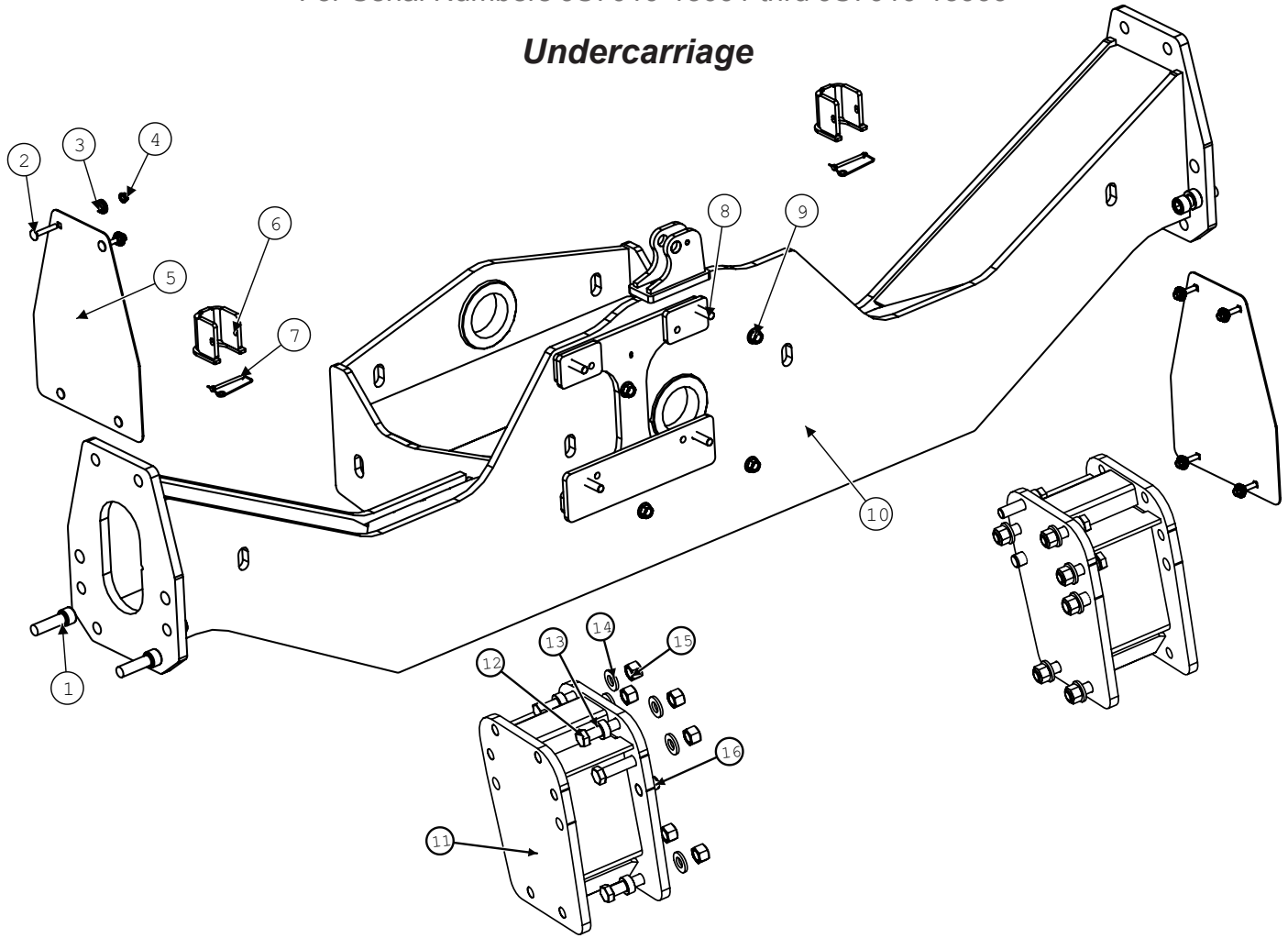


Model JS7010 Hillco Leveling System  
For Serial Numbers JS7010-13001 thru JS7010-13999

<b>Overcarriage</b>			
<b>BOM ID</b>	<b>Part No.</b>	<b>Qty</b>	<b>Description</b>
1	MC-137501	8	WASHER, QUICK REPAIR 2"
2	MC-137251	4	COLLAR, 2 PIECE CLAMPING, 2"BORE
3	LP-276151	2	CM PLT, BODY SHIM 16GA
4	LP-276141	2	CM PLT, BODY SHIM 14GA
5	LM-259831	2	CU BUSHING, FINAL BOLT
6	LP-276131	2	CM PLT, BODY SHIM 1/8"
7	F-LWC-14	2	WASHER, LOCK, CONICAL 7/8"
8	F-HCF-20M120E	2	FLHC-10.9M20X2.5X120
9	F-HCF-10M020E	1	FLHC-10.9M10X20
10	LP-247961	2	CM BUSHING, PIVOT
11	MC-138641	4	WASHER; 4.016ID X 4.764OD X 0.048
12	LW-291351	1	CM WLD, PIVOT PIN (JS-9010)
13	F-HC-16M030E	4	M16X2.0X30 HEX HEAD SCREW 10.9
14	F-HNSF-20ME	4	FLHN-10.9M20X2.5 STVR
15	LP-297901	2	CM PLT, SPACER, TUBE CLAMP
16	LW-293631	2	CM WLD, AXLE CLAMP (9010)
17	F-HCF-20M220E	2	FLHC 10.9M20X2.50X220 (JD#19M8988)
18	F-HCF-20M120F	2	FLHC-10.9 M20X2.5X120
19	LP-270041	2	CM PLT, CARRIAGE SHIM
20	MC-147781	2	CLAMP 1/4" DOUBLE LOOP 3/8HOLE
21	LW-293921	4	CO WLD, LOWER CARRIAGE SHIM (7010)
22	F-HNJ-16MF	2	HN-8.8 M16 X 1.75 JAM PLT
23	LW-293951	2	CO WLD, UPPER CARRIAGE SHIM (7010)
24	LM-293911	2	CO PLT, CARRIAGE LOCK (7010)
26	HC-139431	6	BEHRINGER TWIN CLAMP -.750 DIA
27	F-HC5-05C32	2	HC5 5/16-18 X 2
28	HC-139471	1	STACK BOLT, BEHRINGER 5/16-18
29	LW-291331	1	CO WLD, Overcarriage
30	HC-139451	2	BEHRINGER TWIN COVER PLT 0.875
31	LM-274901	1	LM PLT, SUPPORT, HYDRO HOSE
32	LA-230552	4	CM PIN ASM, MAIN CYLINDER
34	F-HNF-08ME	2	FLHN-10.9M8X1.25
35	F-HCF-16M110E	8	FLHC-10.9M16X2.0X110
36	F-HNF-16ME	8	FLHN-10.9M16X2.0
37	F-CB-08M030F	1	CARR-8.8M8X1.25X30
39	LW-293491	2	TM PIN ASM, BASE END
40	MC-138651	1	SNAP RING; 4"
41	HC-140342	1	CYL, 3"B,8-3/4"S,1-3/8"R, 17-1/4"CPC, CROSS
42	HA-S-2FP2MN	5	UNION, 1/8" NPSMx1/8" FPT, BULKHEAD
43	HA-NJ-2FN	5	1/8" NPSM BULKHEAD LOCKNUT
44	HC-138011	5	ZERK, GREASE 1/4-28 STR

Model JS7010 Hillco Leveling System  
For Serial Numbers JS7010-13001 thru JS7010-13999

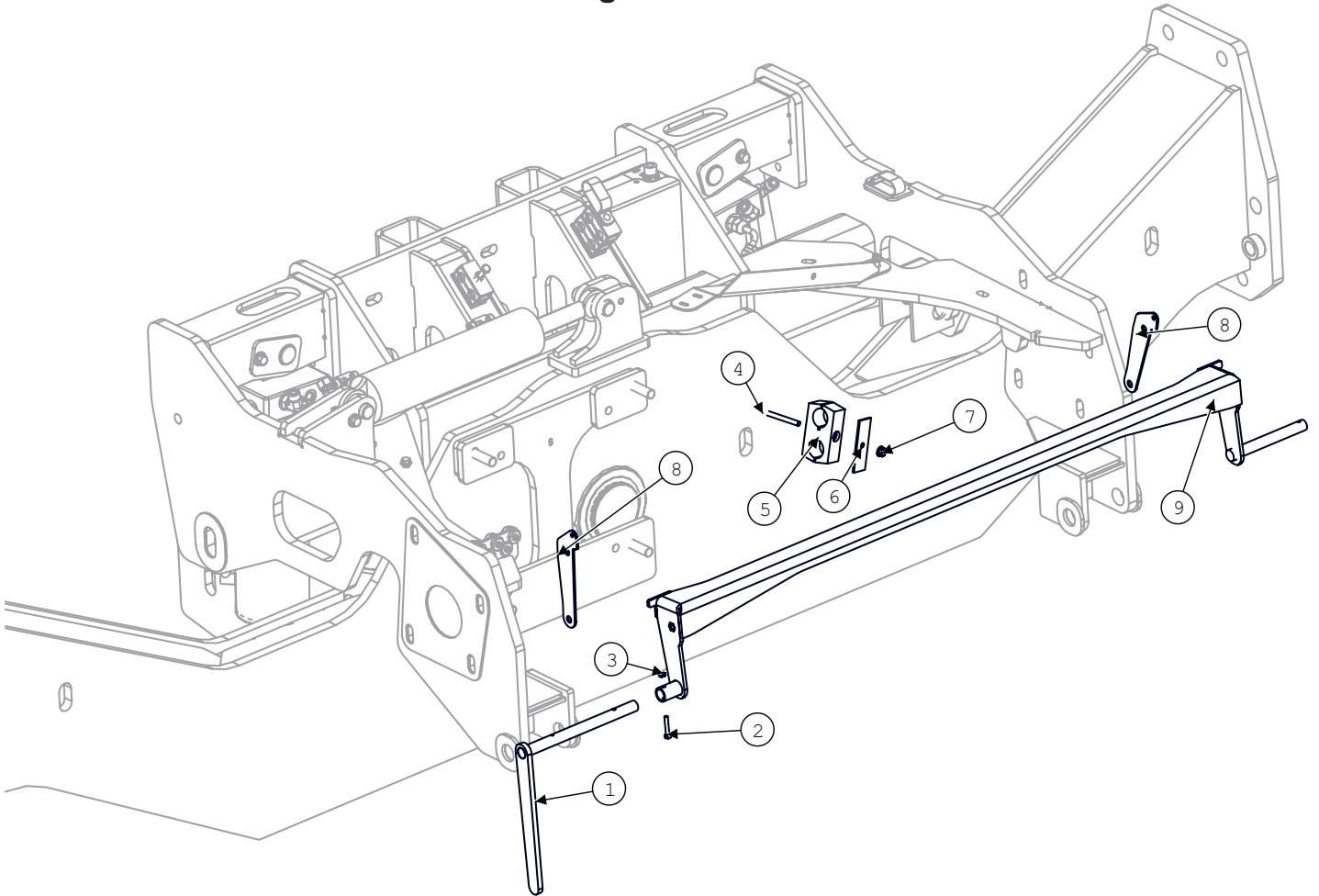
**Undercarriage**



Undercarriage			
BOM ID	Part No.	Qty	Description
1	F-SHC-24M080D	4	SHCS 12.9-M24 X 3 X 80 PLT
2	F-CB-10M050F	8	CARR-8.8M10X1.5X50 HEAD SCREW
3	MC-151021	8	BUSHING, PLASTIC (JD#Z31550)
4	F-HNF-10ME	8	FLHN-10.9 M10 X 1.50
5	LP-293831	2	CM SHT, CAP, AXLE
6	LB-307161	2	LM WLD, CLY STOP
7	F-PSL-04X48	2	SNAP LOCK PIN 1/4 X 3
8	F-STD-16M075E	4	STUD, DOUBLE-10.9 M16X2.00X75
9	F-HNF-16ME	4	FLHN-10.9M16X2.0
10	LM-290811	1	WIDE CARRIAGE
NS	LM-292921	1	NARROW UNDERCARRIAGE
11-16	LA-253141	1	NARROW UNDERCARRIAGE AXLE EXTENSIONS
11	LA-253132	2	LM WLD, 9.25 AXLE EXTENSION
12	F-HC-24M100E	12	M24 X 3 X 110 HEX CAP
13	LM-266382	8	CU TM, SPACER-FINAL DRIVE
14	MC-141121	12	FW M25.4 X 50.0 X 6.0
15	F-HNS-24ME	12	STOVER NUT 24MX3
16	LM-253871	4	LM RND, DOWEL

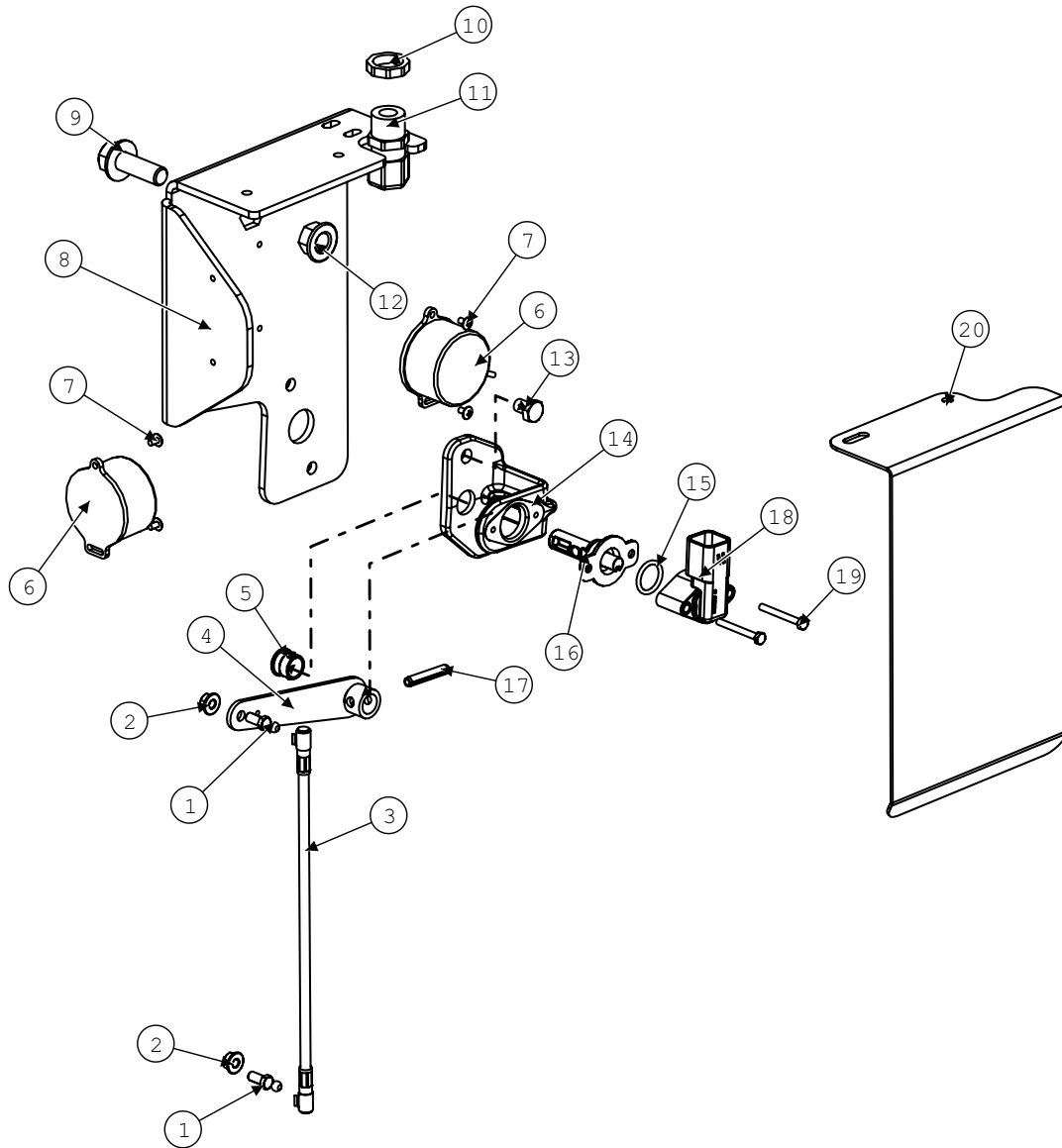
Model JS7010 Hillco Leveling System  
 For Serial Numbers JS7010-13001 thru JS7010-13999

**Carriage Misc. Parts**



Overcarriage Misc.			
BOM ID	Part No.	Qty	Description
1	LA-264501	1	LM ASM, HANDLE, ROCK TRAP
2	F-HC-06M035E	1	HC-10.9 M6x1.0X35
3	F-HNN-06MF	1	HN-8.8M6X1.0 NYLOCK
4	F-HCF-08M080E	1	FLHC-10.9M08X80
5	HC-148281	1	CLAMP, BEHRINGER (PAIR), 1-3/8"
6	MC-137531	1	COVER PLATE W/ 5/16 HOLE
7	F-HNF-08ME	1	FLHN-10.9M8X1.25
8	LP-290741	2	LM SHT, ROCK TRAP LINKAGE, UPPER
9	LA-264511	1	LM ASM, LINKAGE, ROCK TRAP

### Carriage Position Sensor



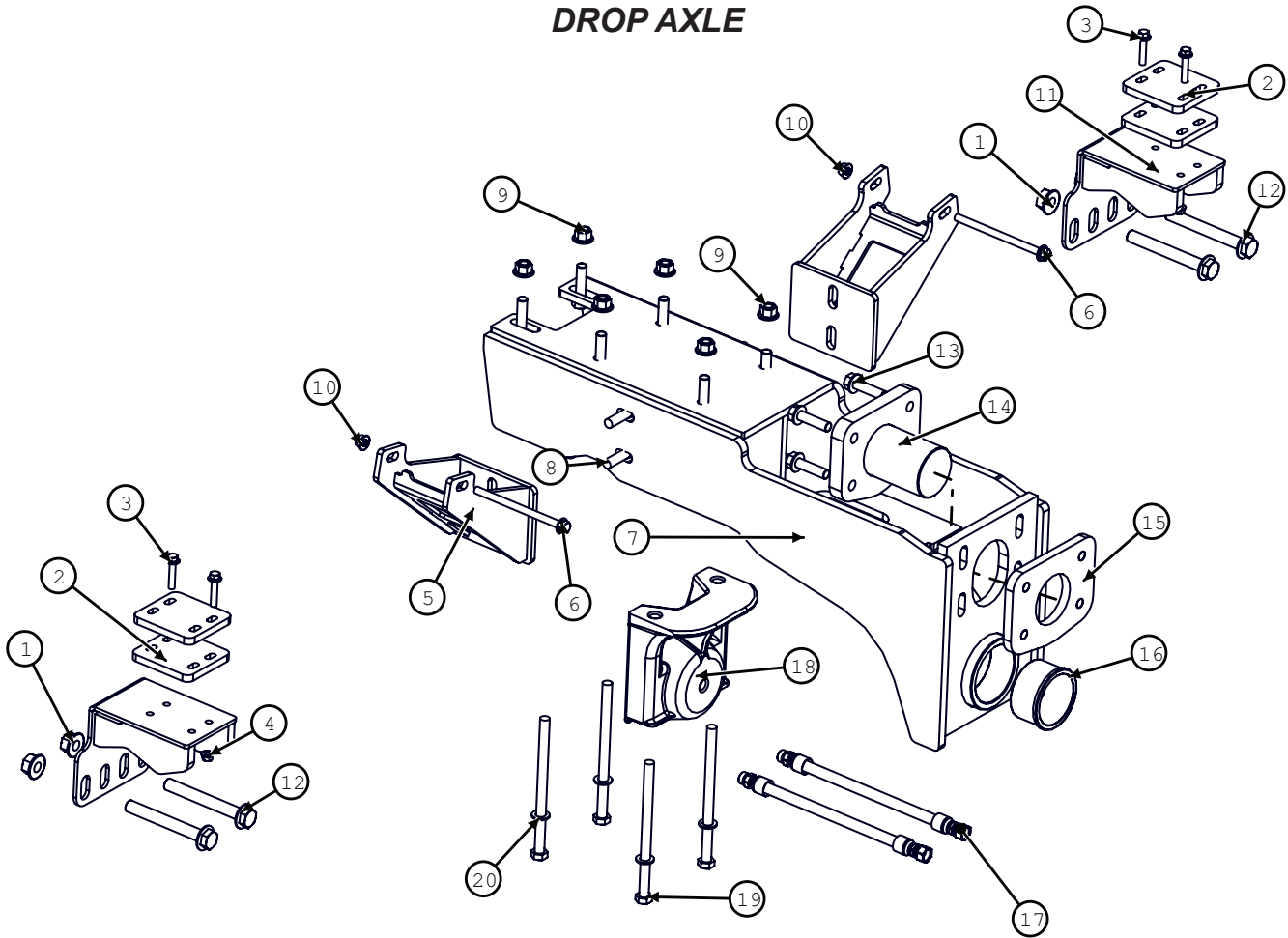
Model JS7010 Hillco Leveling System  
For Serial Numbers JS7010-13001 thru JS7010-13999

Carriage Position Sensor				
BOM ID	Hillco Part No.	John Deere Part No.	Qty	Description
1	MC-151341	H168732	2	BALL STUD (H168732)
2	F-HNF-06ME	-	2	FLHN-10.9M6X1.00
3	MC-151331	AH226146	1	LINKAGE, POSITION (AH226146)
4	MC-151371	AXE17303	1	ARM, ASSY, TILT SENSOR, HM (axe17303)
5	MC-151361	R41076	1	BUSHING, (R41076)
6	EC-141841	-	2	EM ASM, CLINOMETER
7	F-PHM-#C604	-	4	PHMS #6-32X1/4
8	LB-295142	-	1	EM SHT, SENSOR MNT, CLINOMETER
9	F-HCF-12M035E	-	1	FLHC 10.9 M12 X 1.75 X 35 PLT
10	EC-142121	-	1	STRAIN RELIEF NUT, 1/2" BLACK
11	EC-138781	-	1	STRAIN RELIEF, NYLON, BLK,
12	F-HNF-12ME	-	1	FLHN-10.9 M12 x 1.75 PLT
13	F-HC-08M010F	19m7008	2	HC-8.8M8X1.25X10 (19m7008)
14	MC-151321	HXE16001	1	BRACKET, SENSOR MNT (HXE16001)
15	MC-151391	P48347	1	O-RING, 11/16ID (P48347)
16	MC-151401	AXE14888	1	SHAFT, ROUGH SERVICE DEVICE (AXE14888)
17	F-PR-06Mx36	-	1	PIN, ROLL 6mm x 36mm
18	EC-151381	AXE14246	1	SENSOR, ROTATION, HALL 2CH +/-120DE (axe14246)
19	F-HC-04M035E	19M9368	2	HC-8.8M4X0.7X035 (19m9368)
20	LB-303151	-	1	EM SHT, SHIELD SENSOR



Model JS7010 Hillco Leveling System  
For Serial Numbers JS7010-13001 thru JS7010-13999

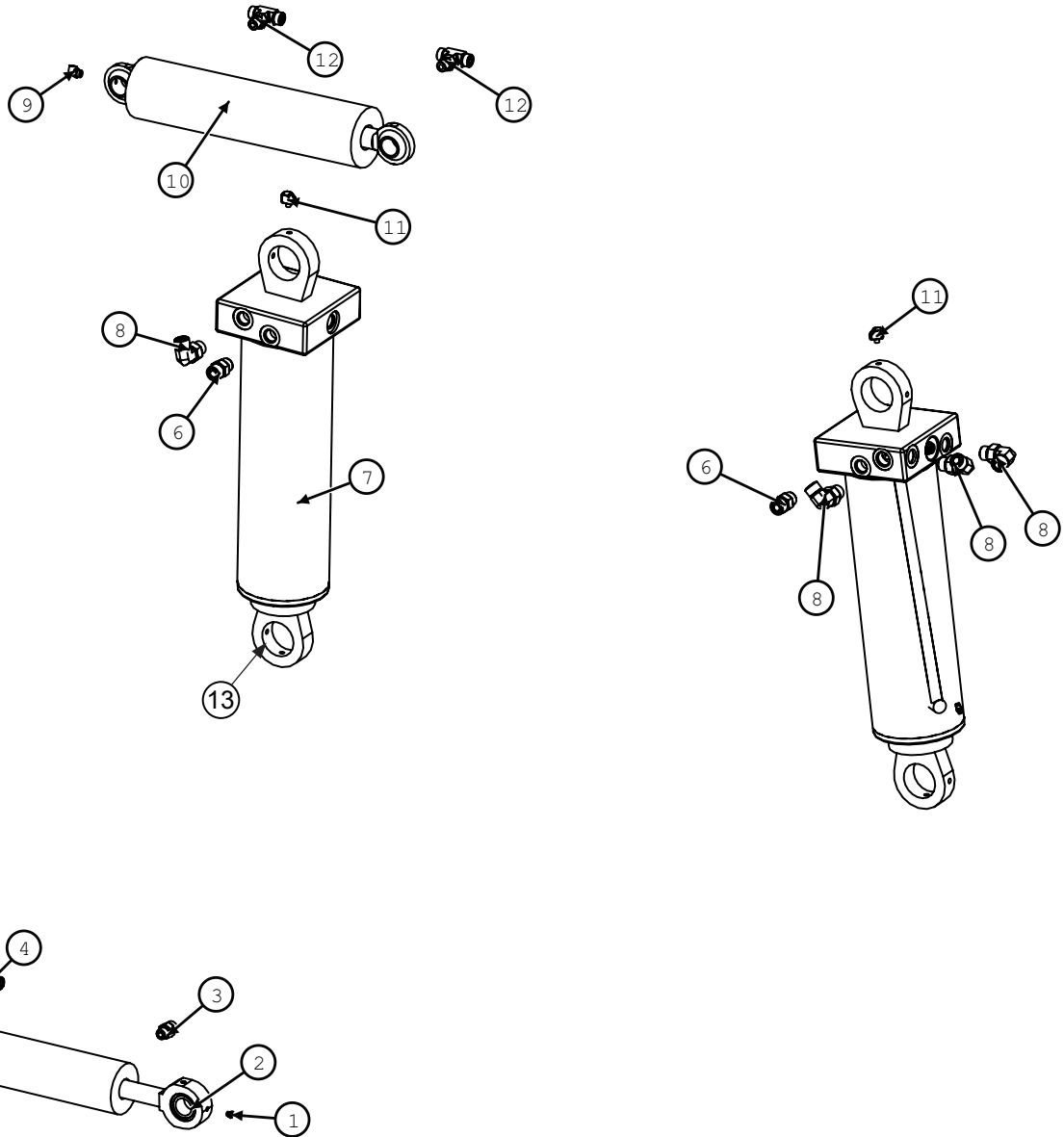
**DROP AXLE**



Drop Axle			
BOM ID	Part No.	Qty	Description
1	F-HNF-20ME	4	FLHN-10.9 M20X2.50
2	LP-299892	4	DA PLT, ROTATION STOP 16°
3	F-HCF-10M050E	4	SCREW, FLANGED HEX CAP
4	F-HNSF-10ME	4	FLHN-10.9 M10X1.5 STV
5	LW-299841	2	DA WLD, WING
6	F-HCF-12M180E	2	FLHC-10.9M12X2.0X180 (ONLY ON EARLY MY 13 COMBINES)
7	LW-291021	1	DROP AXLE SPACER
8	F-CB-16M050E	4	CARR-10.9M16X2.0X90
9	F-HNSF-16ME	10	FLHN-10.9M16X2.00 STV
10	F-HNFS-12ME	2	FLHN-10.9M12X1.75 STVR
11	LW-299792	2	DA WLD, ROTATION STOP
12	F-HCF-20M160E	4	FLHC-10.9 M20X2.5X160
13	F-HCF-16M060E	10	FLHC-10.9 M16 X 2.0 X 60
14	LW-291071	1	DA WLD, PIVOT
15	LP-291091	1	DA PLT, PVOT LOCK
16	LP-235092	1	LM BUSHING, DA PIVOT
17	LA-273461	2	HOSE, 3/8" R2 #8FF#8MF 15"
18	LM-299801	1	DA STAND-OFF, REAR AXLE
19	F-HC-16M250E	4	M16X2.0X250 HEX HEAD SCREW
20	F-FW-10	4	WASHER, FLAT, 5/8

Model JS7010 Hillco Leveling System  
 For Serial Numbers JS7010-13001 thru JS7010-13999

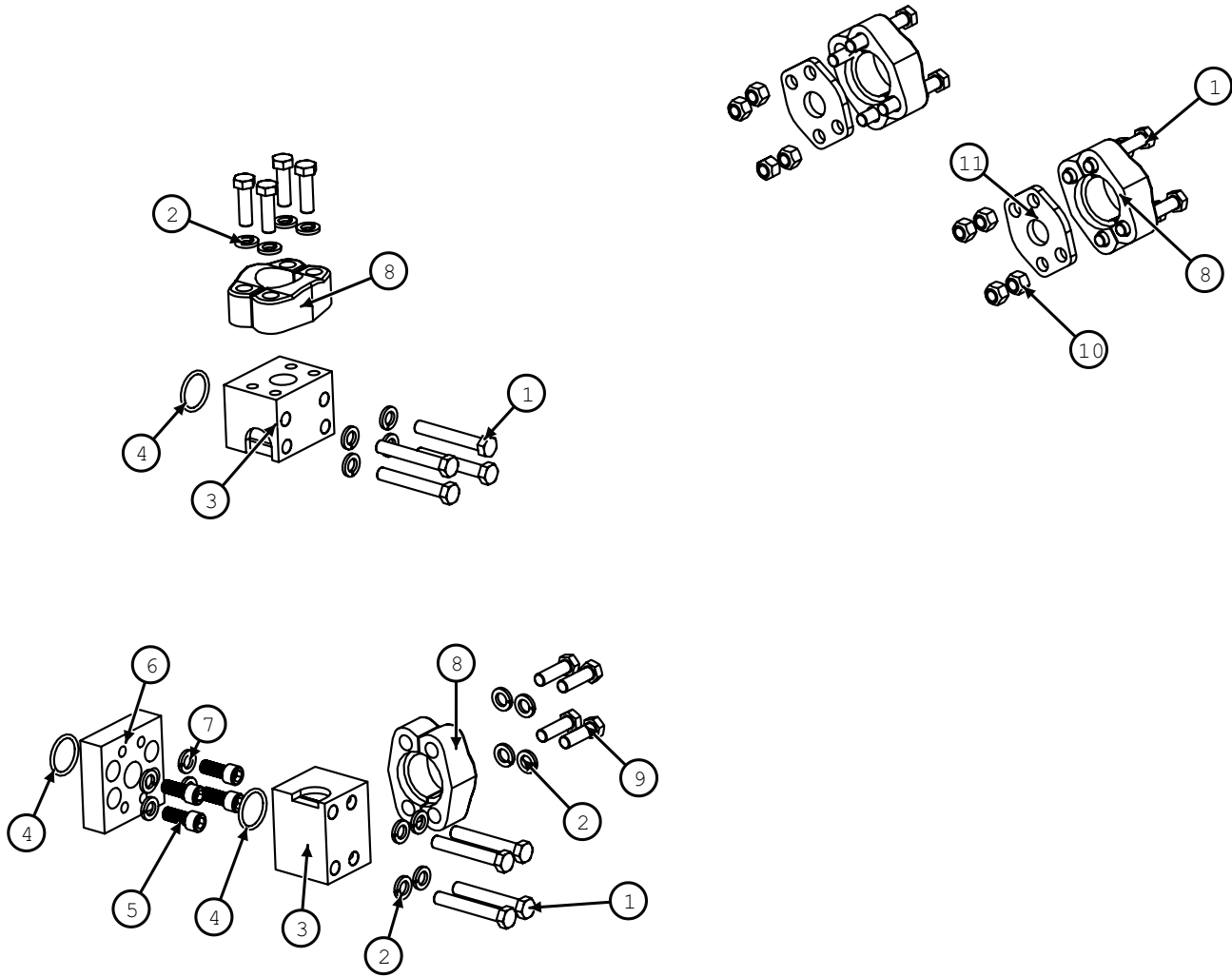
**Hydraulic Components**



Hydraulic Cylinders			
BOM ID	Part No.	Qty	Description
1	HC-138011	2	ZERK, GREASE 1/4-28 STR
2	MC-140321	2	BEARING, SEALED SPHERICAL-1 IN
3	HA-S-6MF6MO	1	STR -6MORB X -6MORS
4	HA-L-6MF6MO	1	ELBOW, 90°, 6MF x 6MO
5	HC-138582	1	CLY 2-1/2X10, INLINE PORTS
6	HA-S-8MF8MO	2	STR, -8MF x -8MO
7	HC-151002	2	CYLINDER, CB VALVE, 4-1/2x11, 22-1/2CPC
8	HA-L-8MF8MO	4	ELBOW, 90°, #8MORS#8MORB
9	HC-135771	1	1/4-28 MALE X 1/8 FPT 90°
10	HC-140342	1	CYL, 3"B,8-3/4"S,1-3/8"R, 17-1/4"CPC, CROSS
11	HC-135761	2	1/4-28 MALE X 1/8 FPT 45 DEG
12	HA-Q-06MF06MO	2	TEE, STRAIGHT THREAD, BRANCH -6MF x -6MO
13	MC-150881	4	1 3/8" BEARING, SEALED SPHERICAL

Model JS7010 Hillco Leveling System  
 For Serial Numbers JS7010-13001 thru JS7010-13999

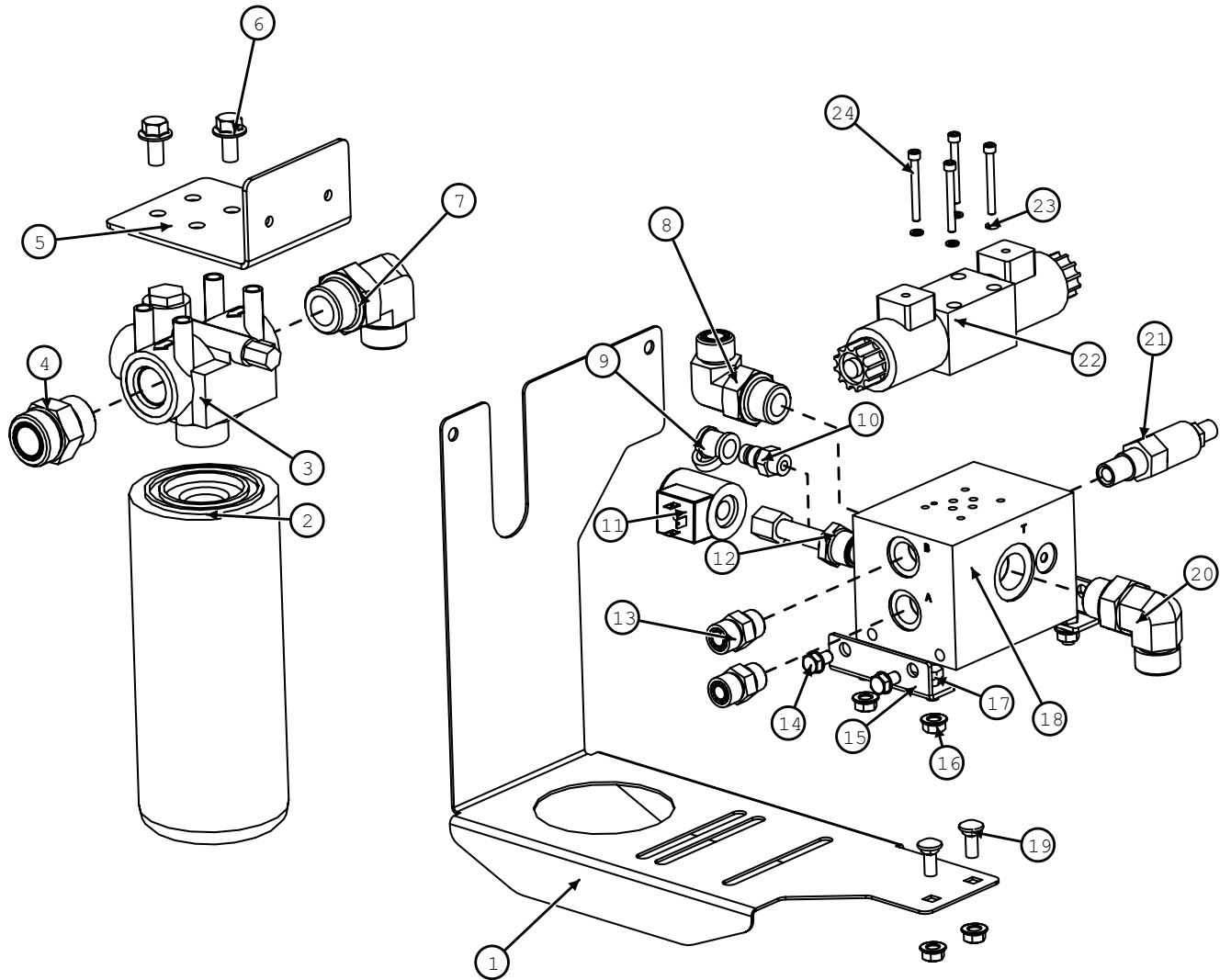
**Hydro Hose Adapters**



Code 62 Adapters			
BOM ID	Part No.	Qty	Description
1	F-HC-12M080E	16	HC-10.9M12X1.75X80
2	F-LW-08A	16	LW 1/2 HD
3	LM-261082	2	HM BLOCK, CODE 62 90°
4	HC-147551	3	O-RING, CODE 62, 1"
5	F-SHC-12M030D	4	SHCS-12.9M12X1.75X30
6	LM-143372	1	HM ADAPTER, CODE 62 90° ROTATIONAL
7	F-LWHC-08	4	LW 1/2 HD HIGH COLLAR
8	HC-147601	8	FLANGE, 1" CODE 62, HALF
9	F-HC-12M040E	8	HC-10.9M12X1.75X40
10	F-HNS-12ME	8	HN-10.9M8X1.25 STVR
11	LM-272242	2	HM PLT, CODE 62 1" UNION

Model JS7010 Hillco Leveling System  
For Serial Numbers JS7010-13001 thru JS7010-13999

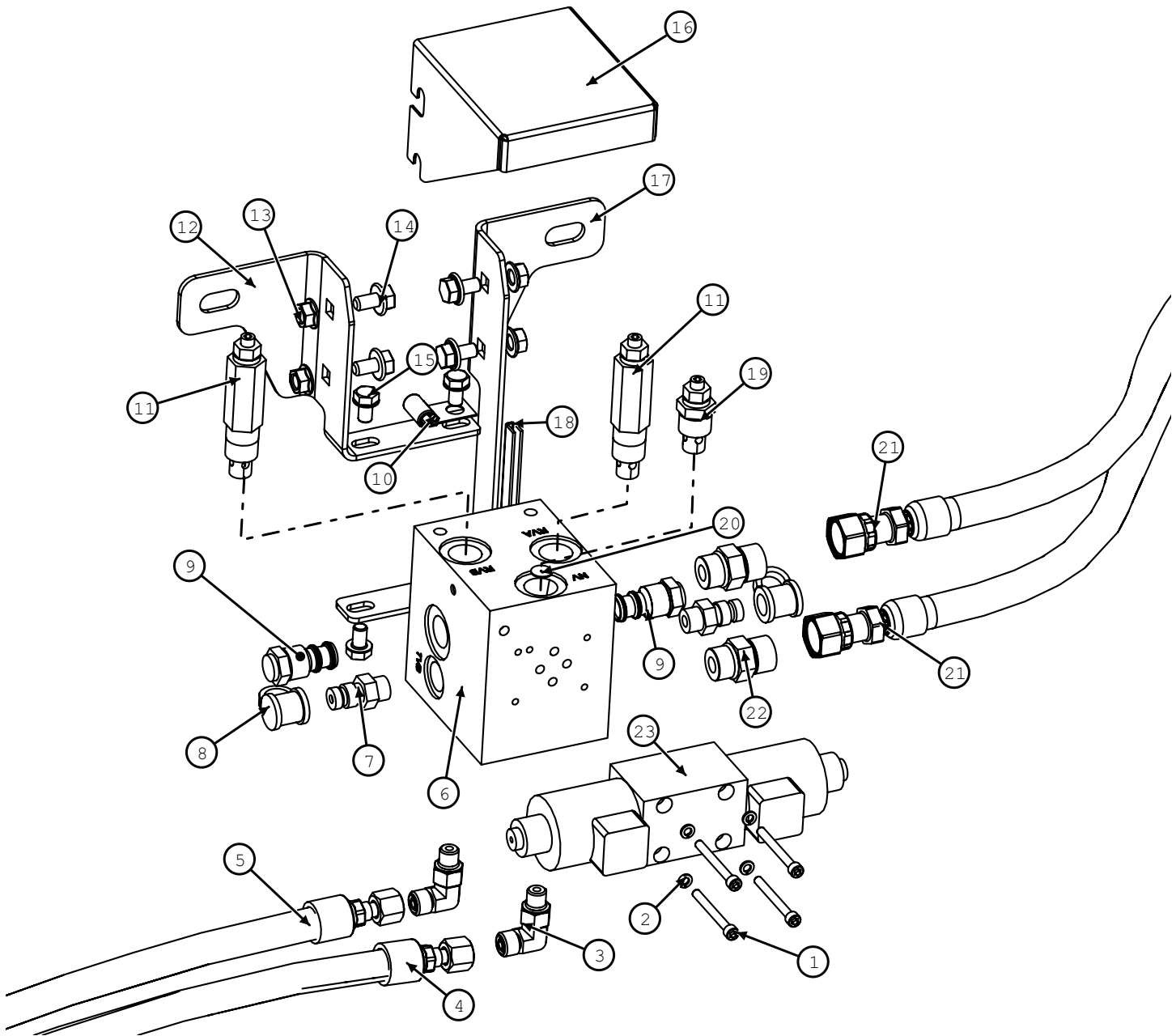
**Leveling Manifold**



Model JS7010 Hillco Leveling System  
For Serial Numbers JS7010-13001 thru JS7010-13999

<b>Leveling Manifold</b>			
<b>BOM ID</b>	<b>Part No.</b>	<b>Qty</b>	<b>Description</b>
1	LB-296131	1	HM PLT, MANIFOLD MNT
2	AH128449	1	HYDRAULIC FILTER
3	AH227172	1	FILTER MOUNT
4	HA-S-16MF16MO	1	STR, -16MO x -16MF
5	LB-296121	1	HM MNT, RETURN FILTER
6	F-HCF-10M020E	2	FLHC-10.9M10X20
7	HA-L-16MO12MF	1	ELBOW, 90° 16MO x 12MF
8	HA-L-12MO10MF	1	ELBOW, 90° -12MO-10MF
9	HC-144001	1	COVER, DUST
10	HC-143991	1	COUPLER, QUICK-CONNECT HYD
11	HC-146372	1	COIL, DUMP VALVE
12	HC-146362	1	CARTRIDGE, DUMP VALVE
13	HA-S-8MF8MO	2	STR, -8MF x -8MO
14	F-HCF-05C08	4	FLHC 5/16-18 X 1/2 SERRATED
15	LP-267511	2	HM, PLT, MOUNT, MANIFOLD
16	F-HNF-08ME	6	FLHN-10.9M8X1.25
17	F-HC-8M016F	4	HC-8.8M8X1.25X.16
18	LM-146353	1	MANIFOLD, CUSTOM LEVELING
19	F-CB-08M020F	2	CARR-8.8M8X1.25X20 HEAD SCREW
20	HA-L-12MF12MO	1	ELBOW, 90° -12MO-12MF
21	HC-142992	1	CARTRIDGE, RELIEF VALVE, PILOT
22	HC-140411	1	VALVE, D03, PRO, CLY, (PRM2-063Z11/30-12)
23	F-LW-#10	4	WASHER, LOCK, SPLIT RING, #10
24	F-SHC-#10C28	4	SCREW, SOCKET CAP, GR5

### Header Trim Manifold

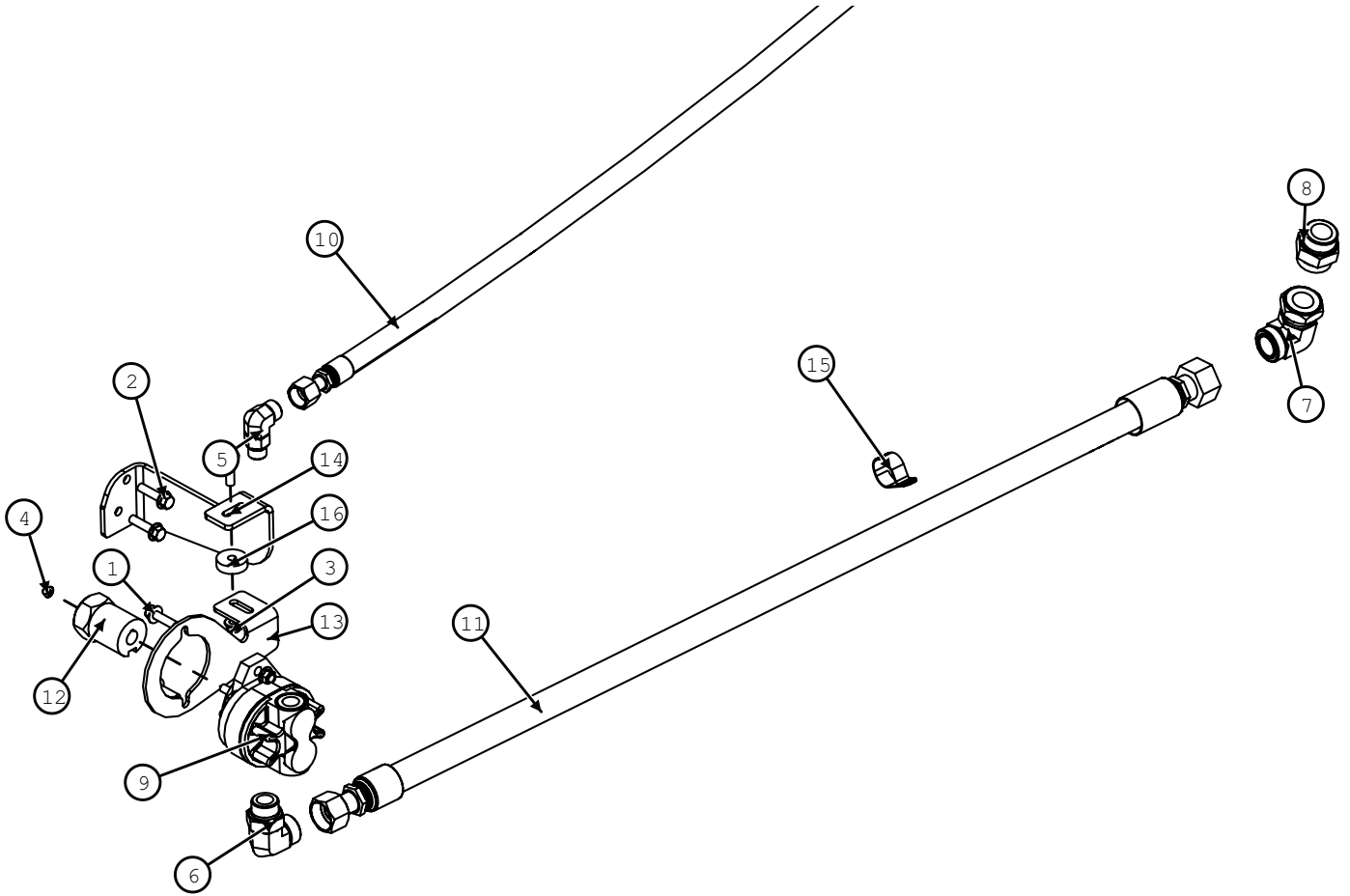


Model JS7010 Hillco Leveling System  
For Serial Numbers JS7010-13001 thru JS7010-13999

<b>Trim Manifold</b>			
<b>BOM ID</b>	<b>Part No.</b>	<b>Qty</b>	<b>Description</b>
1	F-SHC-#10C28	4	SCREW, SOCKET CAP, GR5
2	F-LW-#10	4	WASHER, LOCK, SPLIT RING, #10
3	HA-L-4MF4MO	2	ELBOW, 90°, -4MF x -4MO
4	LA-295912	1	HOSE, 100R2-04 120", 06FF STR X 04FF STR
5	LA-295922	1	HOSE, 100R2-04 129", -6FF STR X -4FF STR
6	LM-145441	1	HC MANIFOLD, CUSTOM TRIM
7	HC-143991	2	COUPLER, QUICK-CONNECT HYD
8	HC-144001	2	COVER, DUST
9	HC-145511	2	VALVE, PILOT OPERATED CHECK
10	HC-146661	1	CLAMP, COATED J (t32231)
11	HC-145431	2	RELIEF, POPPET DIRECT ACTING
12	LP-273881	1	HM PLT, MANIFOLD MNT (L)
13	F-HNF-08ME	4	FLHN-10.9M8X1.25
14	F-HCF-08M016E	4	FLHC-M08X1.25X16
15	F-HCF-05C08	4	FLHC 5/16-18 X 1/2 SERRATED
16	LP-286231	1	HM SHT, MAINFOLD SHIELD
17	LP-273871	1	HM PLT, MANIFOLD MNT (R)
18	LM-295471	1	LM TRIM, EDGE GUARD
19	HC-145501	1	VALVE, NEEDLE
20	LM-265561	1	ORIFICE, (.0520") (TRIM MANIFOLD)
21	LA-295461	2	HOSE, 100R2-04, 62" 08FORSX04FORS 90°
22	HA-S-8MF8MO	2	STR, -8MF x -8MO
23	HC-143011	1	VALVE, DIRECTIONAL, SOLENOID

Model JS7010 Hillco Leveling System  
 For Serial Numbers JS7010-13001 thru JS7010-13999

**Gear Pump**



Gear Pump			
BOM ID	Part No.	Qty	Description
1	F-HCF-10M035E	2	SCREW, FLANGED HEX CAP, 10.9
2	F-HCF-10M040E	3	FLHC-10.9M10X1.5X40
3	F-HNFS-10ME	3	FLHN-10.9M10X1.5 STVR
4	F-HNSF-06C	1	NUT, FLANGED STOVER, GR8
5	HA-L-10MF10MO	1	ELBOW, 90°, -10MF x -10MO
6	HA-L-16MF16MO	1	ADAPTER, ELBOW, 90°
7	HA-L-20FF20MF	1	ELBOW, 90°, -20MF x -20FF
8	HA-S-20MF42MMO	1	STR, 42M MORB X #20MORS
9	HC-148181	1	HYDRAULIC PUMP ASSY, REEL DRIVE
10	LA-295741	1	HOSE, 100R2-10, 252" 10FORS 90° X 10FORS STR
11	LA-295791	1	HOSE, 100R16-16, 55" 16FORS STR X 20FORS STR
12	LM-295441	1	HM COUPLER, GEAR PUMP
13	LP-276551	1	HM PLT, MOUNT, PUMP ANTI-ROTATION
14	LP-276561	1	HM PLT, ANTI-ROTATION
15	MC-135631	1	CLAMP, 1-1/2" R/C W 3/8
16	MC-148341	1	PAD-BUMPER



Model JS7010 Hillco Leveling System  
For Serial Numbers JS7010-13001 thru JS7010-13999

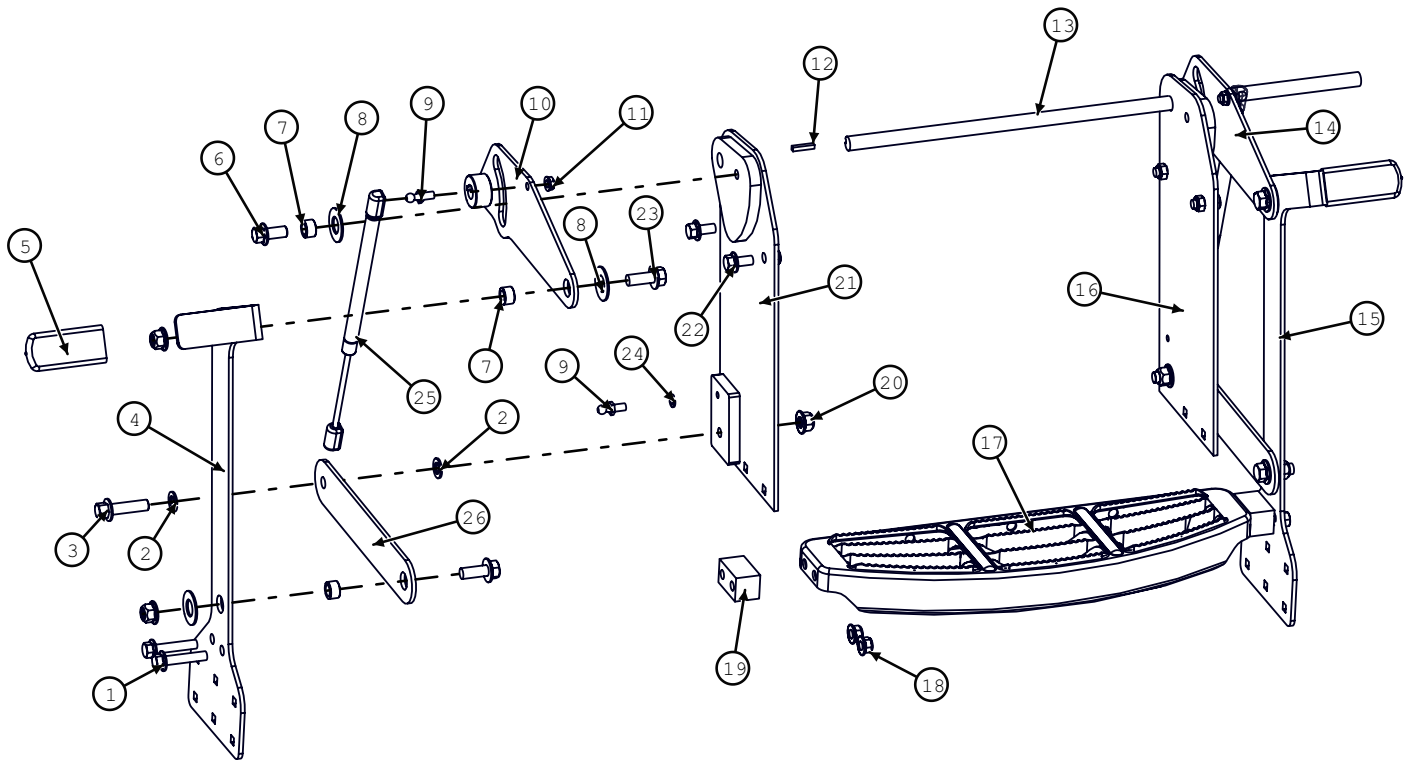
<b>Standard Transmission Hydraulic Hoses</b>			
<b>Part No</b>	<b>Qty</b>	<b>Description</b>	<b>Hose Specs</b>
LA-130371	2	Extends Brake Lines	TITFLEX, 31" -4FORSx4FORS&4UNION
LA-138942	1	Grease Hose	100R1-03, 33-1/2" 1/8 MPT X 1/8 MPT
LA-138951	1	Grease Hose	100R1-03, 40" 1/8 MPT X 1/8 MPT
LA-138963	1	Grease Hose	100R1-03, 54" 1/8 MPT X 1/8 MPT
LA-138974	2	Grease Hose	100R1-03, 77" 1/8 MPT X 1/8 MPT
LA-140383	1	Extends Hydro Hose	100R15-16, 79" -16SPFL 90°x -16SPFL STR
LA-140403	1	Extends Case Drain	100R1-12, 74" 12MORSx12FORS
LA-273301	1	Extends Reverse Hydro Hose	100R15-16, 89" -16SPFL 90°x -16SPFL STR
LA-293431	2	Leveling Cylinder Cross-over Hose	100R2-06 47" #8FORS #8FORS 90°
LA-295461	2	Connects HIC to Trim Manifold	100R2-04, 62" 08FORSX04FORS 90°
LA-295601	2	Leveling Manifold to Leveling Cyl	100R2-08, 103" 08FORSx08FORS
LA-295741	1	Pressure, Gear Pump to P Port	100R2-10, 252" 10FORS 90° X 10FORS STR
LA-295771	1	Return, Manifold to Filter Inlet	100R1-12, 22", 12FORS STR X 12FORS 90°
LA-295781	1	Return, Filter to Reservoir	100R1-12, 252" 16FORS STR X 16FORS STR
LA-295791	1	Suction, Reservoir to Gear Pump	100R16-16, 55" 16FORS STR X 20FORS STR
LA-295801	1	Replaces Header Lift Hoses	100R16-12, 86" 12FORS 90X16FORS
LA-295882	2	Connects Master Cyl to Slave Cyl	100R2-06 X 195", -06FF STR x -06FF STR
LA-295912	1	Connects Trim Manifold to Master Cyl Rod Tee	100R2-04 120", 06FF STR X 04FF STR
LA-295922	1	Connects Trim Manifold to Master Cyl Base Tee	100R2-04 129", -6FF STR X -4FF STR
LA-296021	1	Replaces Header Lift Hoses	100R2-08, 49" -8MORS STR X -8FORS 90°
LA-296901	1	Extends Parking Brake Hose	100R2-8, 36", -8FORS X -8MORS

Model JS7010 Hillco Leveling System  
For Serial Numbers JS7010-13001 thru JS7010-13999

Pro Drive Transmission Hydraulic Hoses			
Part No	Qty	Description	Hose Specs
LA-138942	1	Grease Hose	100R1-03, 33-1/2" 1/8 MPT X 1/8 MPT
LA-138951	1	Grease Hose	100R1-03, 40" 1/8 MPT X 1/8 MPT
LA-138963	1	Grease Hose	100R1-03, 54" 1/8 MPT X 1/8 MPT
LA-138974	2	Grease Hose	100R1-03, 77" 1/8 MPT X 1/8 MPT
LA-273461	2	Extends Steer Hoses	3/8" R2 #8FF#8MF 15"
LA-273462	2	Filter head; Front & Side Port to Valve Block Ports	100R2-08 62", #10FF x #8FF 90°
LA-274111	1	Extends Case Drain	100R1-12 24", -16MF STR X -16 FF STR
LA-274162	1	Replaces AH223259; connects proportionator case drain to trasmission	100R2-06 32" #6FORS X #8FORS 90°
LA-276631	1	Extends Rear Hydrostat Line	100R15-16 128", 90° CODE 62 x STR CODE 62
LA-276641	1	Extents Forward Hydrostat Line	100R15-16 128", 90° CODE 62 x STR CODE 62
LA-293431	2	Leveling Cylinder Cross-over Hose	100R2-06 47" #8FORS #8FORS 90°
LA-295461	2	Connects HIC to Trim Manifold	100R2-04, 62" 08FORSX04FORS 90°
LA-295601	2	Leveling Manifold to Leveling Cyl	100R2-08, 103" 08FORSx08FORS
LA-295741	1	Pressure, Gear Pump to P Port	100R2-10, 252" 10FORS 90° X 10FORS STR
LA-295771	1	Return, Manifold to Filter Inlet	100R1-12, 22", 12FORS STR X 12FORS 90°
LA-295781	1	Return, Filter to Reservoir	100R1-12, 252" 16FORS STR X 16FORS STR
LA-295791	1	Suction, Reservoir to Gear Pump	100R16-16, 55" 16FORS STR X 20FORS STR
LA-295801	1	Replaces Header Lift Hoses	100R16-12, 86" 12FORS 90X16FORS
LA-295882	2	Connects Master Cyl to Slave Cyl	100R2-06 X 195" -.06FF STR x -06FF STR
LA-295912	1	Connects Trim Manifold to Master Cyl Rod Tee	100R2-04 120", 06FF STR X 04FF STR
LA-295922	1	Connects Trim Manifold to Master Cyl Base Tee	100R2-04 129", -6FF STR X -4FF STR
LA-296021	1	Replaces John Deere Header Lift Hose	100R2-08, 49" -8MORS STR X -8FORS 90°
LA-297421	1	Extends AH226084 to Proportionator Motor Supply	100R2-10 66", -10FF 90° x -10MF STR
LA-297441	1	Extends AH226085 to Proportionator Pump Supply	100R1-12 66", -12FF 90° x -12MF STR
LA-297451	1	Replaces AH219243; Connects Rear Filter Port to Proportionator Motor Return	100R2-10 147", -10FF STR x -10FF 90°
LA-297481	1	Extends AH226119 to the Trans Lube	100R2-06 31", -6FF 90° x -6MF STR
LA-297641	1	Extends Right Brake Hose	100R2-06 78", -06MF STR x -06FF 90°
LA-297651	1	Extends Left Brake Line; Extends Lube Line	100R2-06 60", -06MF STR x -06FF STR
LA-299191	1	Extends JD Hose to Shift Block	100R2-04 15", -6FF 90° X -6MF STR
LA-300622	2	Extends Header Lift Hoses	100R16-10 48", -12FF STR x -08FF STR

Model JS7010 Hillco Leveling System  
For Serial Numbers JS7010-13001 thru JS7010-13999

**RETRACTABLE LADDER**

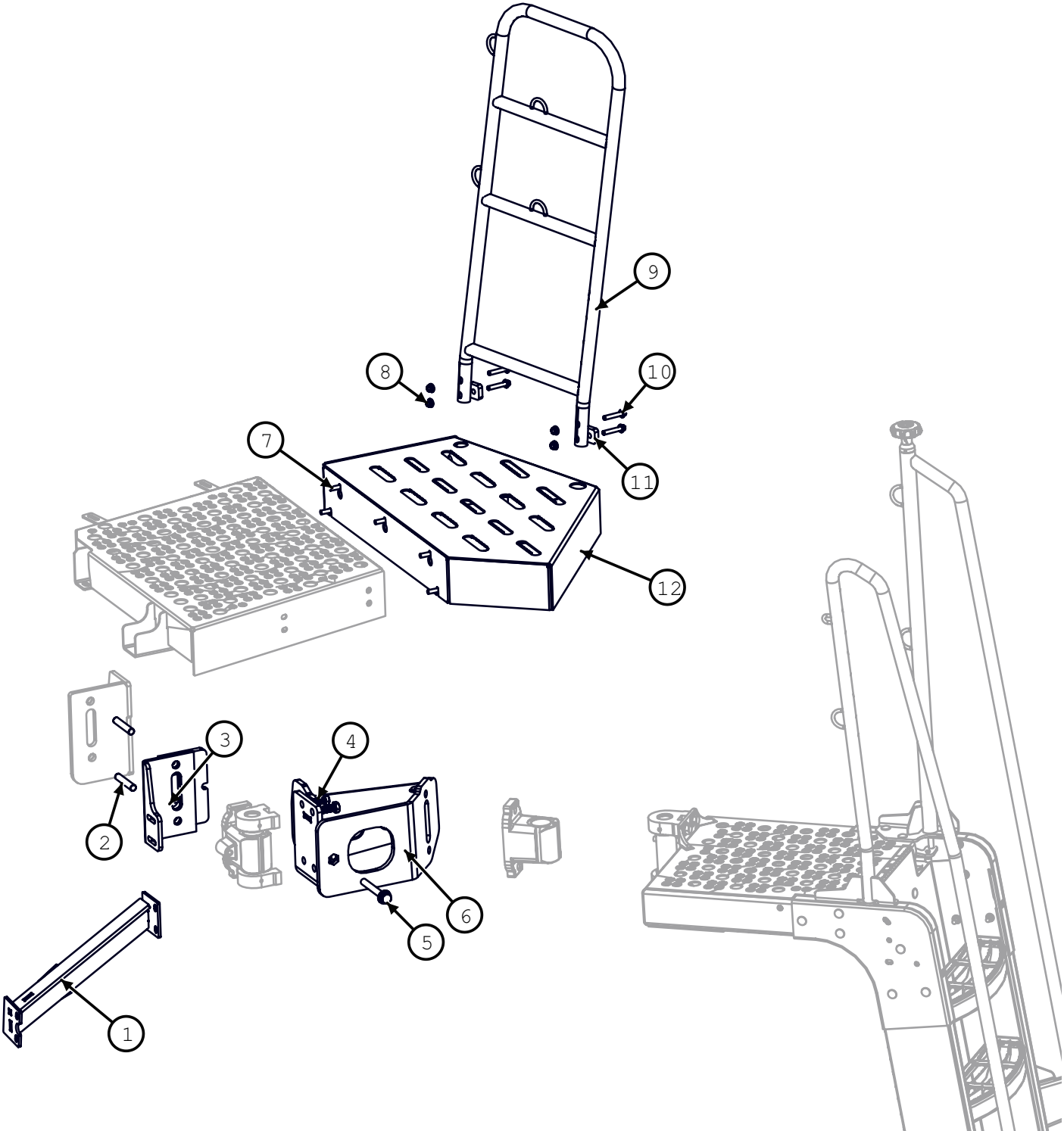


Model JS7010 Hillco Leveling System  
For Serial Numbers JS7010-13001 thru JS7010-13999

**Retractable Ladder**

<b>BOM ID</b>	<b>Part No.</b>	<b>Qty</b>	<b>Description</b>
ASM	LA-297171	1	LM ASM, MOVING STEP (SIDEHILL)
1	F-HCF-10M050E	4	SCREW, FLANGED HEX CAP
2	F-MB-14NR08	4	MACHINE BUSHING 14GA NR 1/2ID
3	F-HCF-12M045E	2	FLHC-10.9M12X1.75X45
4	LB-298222	1	LM PLT, LADDER HANDLE, RIGHT
5	MC-151921	2	GRIP, JD#W25634
6	F-HCF-12M025E	2	FLHC-10.9M12X1.75X25
7	LM-299181	6	LM BUSHING, LADDER PIVOT
8	153.014.012	6	BUSHING,MACH,WR
9	MC-134931	2	LIFT SUPPORT BRACKETS (PAIR)
10	LW-298272	1	LM ASM, UPPER CONTROL LINK, RIGHT
11	F-HNF-05C	2	FLHN 5/16-18
12	F-KST-03X03X16	2	KEY, STR, 3/16 X 3/16 X 1
13	LM-298191	1	LM RND, ROCK SHAFT
14	LW-298252	1	LM WLD, UPPER CONTROL LINK
15	LB-298182	1	LM PLT, LADDER HANDLE, LEFT
16	LM-298132	1	LM WLD, LFT LADDER MNT
17	MC-152601	1	STEP, PLATFORM, STEP (HXE19816)
18	F-HNFS-10ME	8	FLHN-10.9M10X1.5 STVR
19	LM-299071	2	LM SPACER, LADDER STEP
20	F-HNFS-12ME	6	FLHN-10.9M12X1.75 STVR
21	LM-298212	1	LM WLD, RHT LADDER MNT
22	F-HCF-10M020E	4	FLHC-10.9 M10X1.75X20
23	F-HCF-12M30E	4	FLHC-10.9 M12X1.75X30
24	F-LW-05	2	LOCK WASHER 5/16"
25	MC-139251	2	GAS CHARGED LIFT SUPPORT
26	LM-298171	2	LM PLT, LOWER CONTROL LINK

**Ladder Wedge**

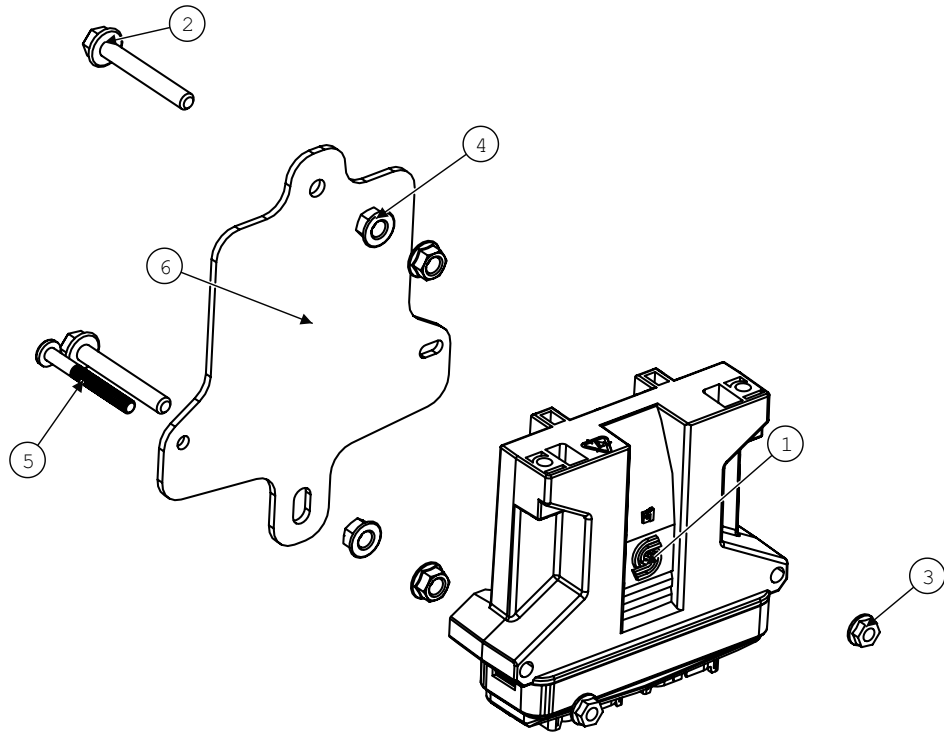


Model JS7010 Hillco Leveling System  
For Serial Numbers JS7010-13001 thru JS7010-13999

**Ladder Wedge**

<b>BOM ID</b>	<b>Part No.</b>	<b>Qty</b>	<b>Description</b>
1	LW-296081	1	LM WLD, LADDER BRACE
2	F-STD-16M90E	2	STUD, DOUBLE-10.9 M16X2.00X90
3	LW-301181	1	LM ASM, SUPPORT BRACKET
4	F-HC-16M040E	4	HC 10.9M16X2.0X40
5	F-HCF-16M120E	1	
6	LW-300931	1	LM WLD, PIVOT EXTENSION
7	F-HCF-10M030E	5	FLHC 10.9 M10 X 1.5 X 30
8	F-HNF-10ME	4	FLHN-10.9 M10 X 1.50
9	MC-153571	1	HANDRAIL, EXTENSION ASSY FRONT ( AXE16380)
10	F-HCF-10M060E	4	FLHC-10.9M10X1.50X060
11	LP-307281	2	LM PLT, SPACER, PLATFORM
12	LW-301102	1	LM WLD, PLATFORM

### Controller/Wiring Harnesses



Electrical Components			
BOM ID	Part No.	Qty	Description
1-6	LA-295211	1	EM ASM, CONTROLLER W/MNT
1	EC-141831	1	SAUER-DANFOSS PLUS 1 CONTROLLER
2	F-HCF-08M060E	2	FLHC-M08X1.25X60
3	F-HNF-04F	2	FLHN-GR5 1/4-20
4	F-HNF-08ME	4	FLHN 10.9 M8 X 1.25
5	F-PHM-04C36	2	PHMS-GR5-1/4-20 X 2-1/4"
6	LP-295201	1	EM PLT, CONTROLLER MNT

Wiring Harnesses			
BOM ID	Part No.	Description	Purpose
NS	LA-294742	EM HARNESS, PRIMARY	POWER SUPPLY & SENSOR PACKAGE
NS	LA-295342	EM HARNESS, TA SENSOR	TRANSITION TILT SENSOR
NS	LA-295181	EM HARNESS, SENSOR PACKAGE	SENSOR PACKAGE WIRING
NS	LA-294752	EM HARNESS, SECONDARY	SIGNALS TO MANIFOLD, TRANSITION SENSOR

**Decals and Literature**

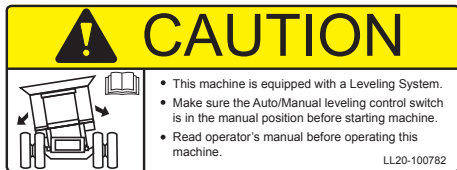


1) LL-133741



3) LL-153691

2) LL-151041



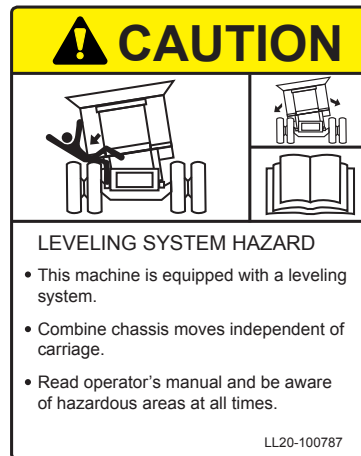
4) LL20-100782



6) LL20-100784



5) LL20-100783



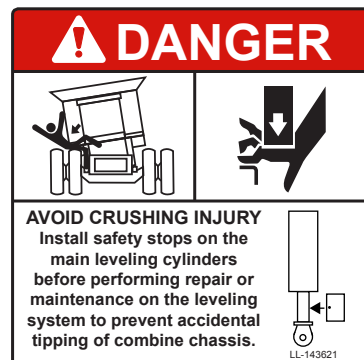
8) LL20-100787



7) LL20-100786



9) LL20-100788



10) LL-143621



Model JS7010 Hillco Leveling System  
For Serial Numbers JS7010-13001 thru JS7010-13999

DECALS AND LITERATURE				
REF.	PART NO.	QTY.	PART NAME	DESCRIPTION
1	LL-133741	1	LABEL, GREASE 50 HRS	OC BULKHEAD
1	LL-133741	2	LABEL, GREASE 50 HRS	RIGHT & LEFT MAIN LEV CYL BOTTOM
1	LL-133741	1	LABEL, GREASE 50 HRS	MASTER CYLINDER ROD
2	LL-151041	2	DECAL, HILLSIDE LEVELING SYSTEM	SIDE OF COMBINE
3	LL-153691	2	DECAL, 20 YEAR ANIVERSARY	SIDE OF COMBINE
4	LL20-100782	1	CAUTION LEVELING SYSTEM CAB	WINDOW IN CAB
5	LL20-100783	2	DANGER, CRUSHING HAZARD	RIGHT & LEFT UNDERCARRIAGE
5	LL20-100783	2	DANGER, CRUSHING HAZARD	SIDES OF DROP AXLE ASSEMBLY
6	LL20-100784	2	DECAL, DANGER PINCH POINT	RIGHT & LEFT UPPER TRANS FACE PLT
7	LL20-100786	1	WARNING ELECTRICAL CRUSHING HAZARD	FRONT OF ELECTRICAL CONTROL BOX
8	LL20-100787	1	CAUTION - LEVELING SYSTEM HAZARD	ON LADDER PLATFORM
9	LL20-100788	1	DANGER - HYDRAULIC HAZARD	ON SIDE OF COMBINE ABOVE THE HYDRAULIC MANIFOLD
9	LL20-100788	2	DANGER - HYDRAULIC HAZARD	FOR EACH LEVELING CYLINDER
10	LL-143621	2	DANGER, AVOID CRUSHING INJURY	IN AREA NEAR SAFETY STOP STORAGE LOCATION
NS	LL-147651	1	LABEL, FEMA MEMBER TAG	NEAR SERIAL NUMBER TAG
NS	LA-255961	1	TAG, SERIAL NUMBER	
NS	LL-289641	1	CM LABEL, MECHANICAL CYLINDER STOP	
NS	D-120620CMA01A	1	MANUAL, PARTS	
NS	D-111124CMA01B	1	MANUAL, OPERATORS	
NS	D-050611SLR01	1	WARRANTY REGISTRATION CARD	
NS	LL-239412	1	LABEL, STEERING WHEEL	TIED TO STEERING WHEEL DURING INSTALLATION
NS	D-120412CMA01	3	DEALER PDI & INSTALL CHECKLIST	

Model JS7010 Hillco Leveling System  
For Serial Numbers JS7010-13001 thru JS7010-13999

**Notes**

Hillco Technologies, Inc.  
107 1st Avenue  
Nezperce, Idaho 83543

Phone	800-937-2461
	208-937-2461
Fax	208-937-2280

[www.hillcotechnologies.com](http://www.hillcotechnologies.com)  
email: [support@hillcotechnologies.com](mailto:support@hillcotechnologies.com)