

Model JS7010 Hillco Leveling System
For Serial Numbers JS7010-12001 thru JS7010-12999



Model JS7010 Sidehill Leveling System Parts Manual

SN JS7010-12001 thru JS7010-12999

For John Deere S660 & S670
S Series Combines

D-120621CMA01



JS7010 Sidehill Leveling System

For S660 & S670 S Series Combines

Table of Contents

| | |
|---------------------------------------|-----------|
| General Information | 3 |
| Serial Number Location | 3 |
| Text and Illustrations | 3 |
| Abbreviations | 3 |
| Right and left Identification | 3 |
| Part Orders | 3 |
| Transition | 4 |
| Tilt Sensor | 5 |
| Transition Throat | 6 |
| Transition Header Adapter | 8 |
| Carriage | 10 |
| Overcarriage | 11 |
| Undercarriage | 13 |
| Carriage Misc. Parts | 14 |
| Carriage Position Sensor | 15 |
| Drop Axle | 17 |
| Hydraulic Components | 18 |
| Hydro Hose Adapters | 19 |
| Leveling Manifold | 20 |
| Header Trim Manifold | 22 |
| Gear Pump | 24 |
| Standard Transmission Hydraulic Hoses | 25 |
| ProDrive Transmission Hydraulic Hoses | 26 |
| Retractable Ladder | 27 |
| Ladder Wedge | 29 |
| Electrical | 31 |
| Controller/Wiring Harnesses | 31 |
| Decals and Literature | 32 |

Contact Information

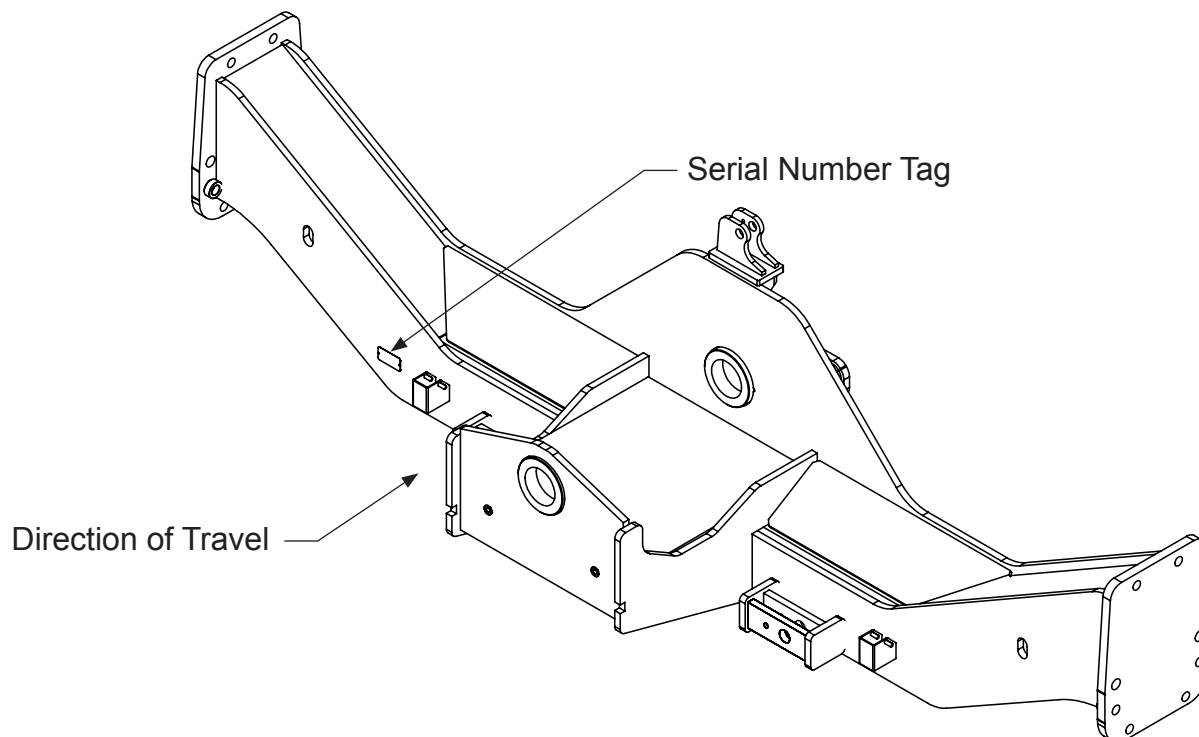
Hillco Technologies, Inc.
107 1st Avenue
Nezperce, Idaho 83543

| | |
|-------|--------------|
| Phone | 800-937-2461 |
| | 208-937-2461 |
| Fax | 208-937-2280 |

www.hillcotechnologies.com
email: support@hillcotechnologies.com

GENERAL INFORMATION

SERIAL NUMBER LOCATION



TEXT AND ILLUSTRATIONS

The arrangement of this parts catalog is for easy identification of parts. All parts are illustrated in exploded views in proper relation to each other. Some diagrams refer to other pages for further information. Reference numbers used in the illustrations refer to line numbers in the part lists. The part lists appear to the right or below all diagrams and correspond with those diagrams. Included in the part lists, along with the reference numbers are part numbers, part descriptions and the quantity of the part required per leveling system.

ABBREVIATIONS

SN "Serial Number" refers to the serial number given to each leveling system (by Hillco Technologies), as well as the serial number given to the combine (by the specific combine manufacturer) the leveling system is installed. See above for the leveling system's serial number location. This abbreviation is used interchangeably in both instances. Each Model JS7010 Leveling System uses the following serial number format: JS7010-XXXXX (sequential numbers).

ASM "Assembly" refers to a whole grouping of parts (shown in the diagram corresponding with the page where "ASM" is shown unless otherwise noted). Some assemblies have parts that are sold separately, however some must be purchased as a single unit. Hillco Product Specialists will be able to assist you with any questions.

NS "Not Shown" refers to a part that is not depicted in the illustration.

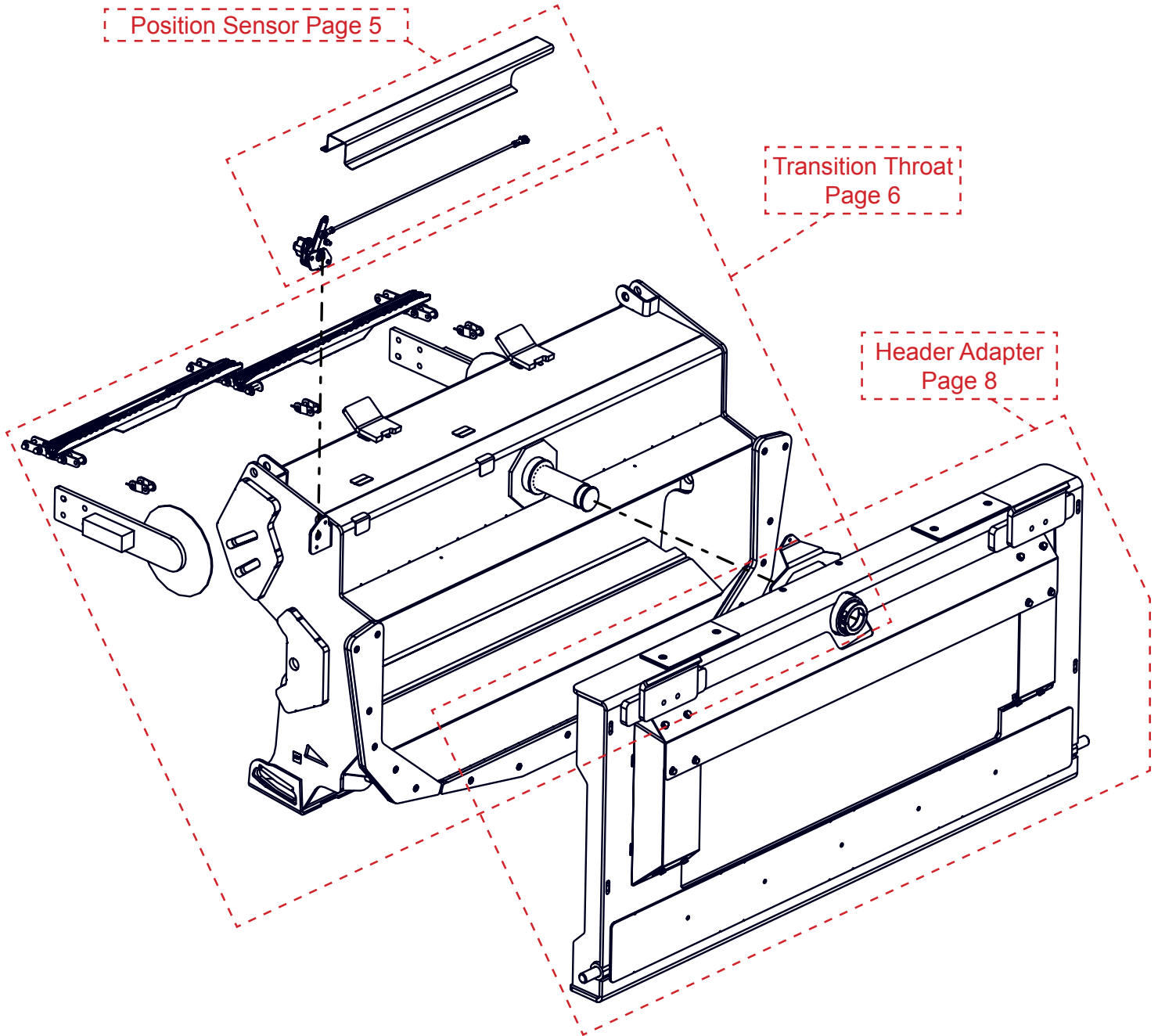
RIGHT AND LEFT IDENTIFICATION

The reference to right-hand and left-hand in this catalog is identified by the operator sitting in the operator's seat, looking toward the front of the machine (in normal forward travel).

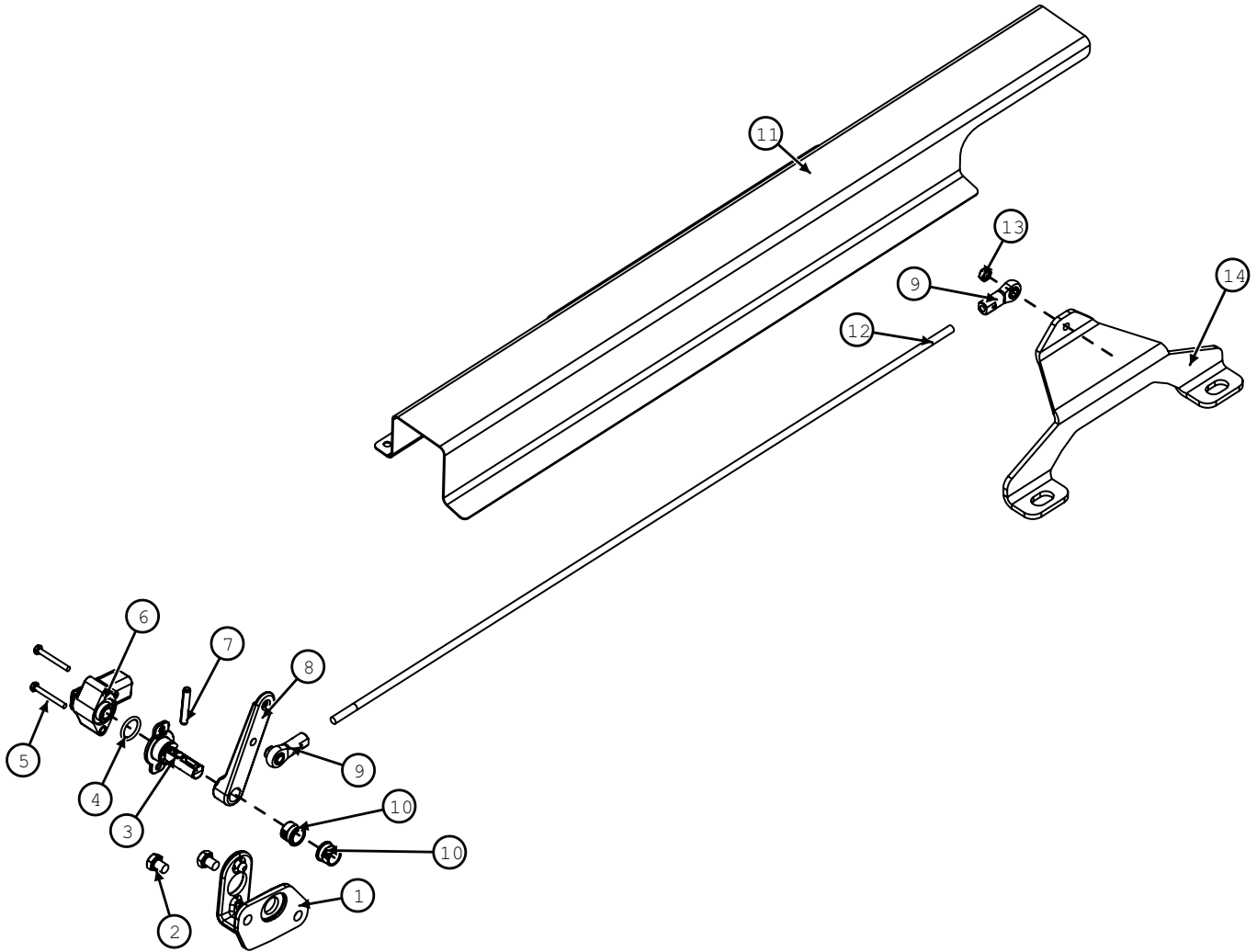
PART ORDERS

Orders must specify product model, serial number, correct part number, complete description, quantity required, method of shipment, shipping address, and billing address.

TRANSITION



TRANSITION TILT SENSOR

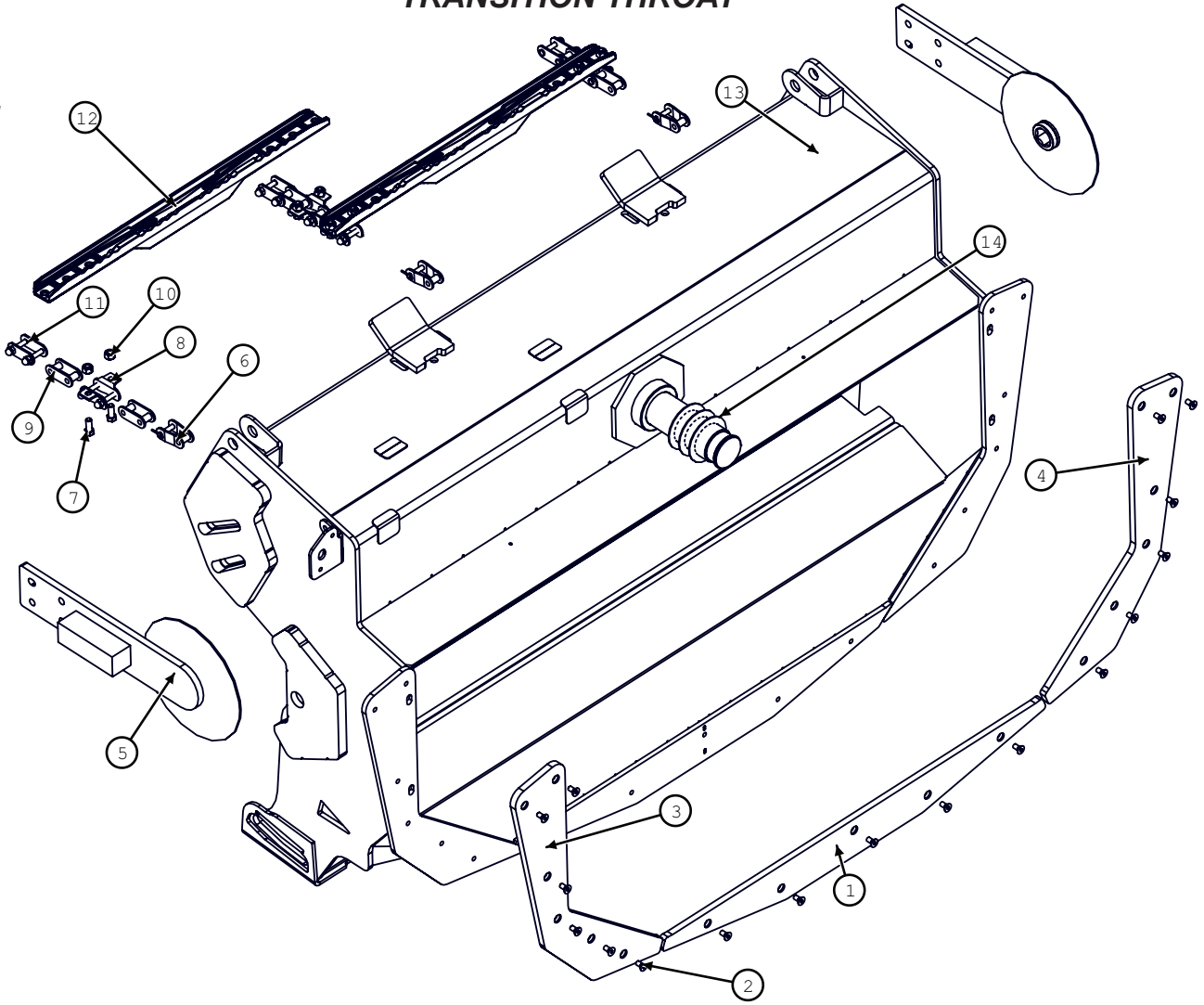


| Trim Manifold | | | |
|---------------|--------------|-----|--|
| BOM ID | Part No. | Qty | Description |
| 1 | MC-151321 | 1 | BRACKET, SENSOR MNT (HXE16001) |
| 2 | F-HC-08M010F | 2 | HC-8.8M8X1.25X10 (19m7008) |
| 3 | MC-151401 | 1 | SHAFT, ROUGH SERVICE DEVICE (AXE14888) |
| 4 | MC-151391 | 1 | O-RING, 11/16ID (P48347) |
| 5 | F-HC-04M035E | 2 | HC-8.8M4X0.7X035 (19m9368) |
| 6 | EC-151381 | 1 | SENSOR, ROTATION, HALL 2CH +/-120DE (axe14246) |
| 7 | F-PR-06Mx36 | 1 | PIN, ROLL 6mm x 36mm |
| 8 | LM-295482 | 1 | LM ARM, TA SENSOR |
| 9 | MC-151881 | 2 | ROD END, BALL JOINT, FEMALE, 1/4-28 |
| 10 | MC-151361 | 2 | BUSHING, (R41076) |
| 11 | LB-295541 | 1 | TA SHIELD, SENSOR LINKAGE |
| 12 | LS-295502 | 1 | TM ROD, SENSOR LINK |
| 13 | F-HNN-06MF | 2 | HN-8.8M6X1.0 NYLOCK |
| 14 | LB-295522 | 1 | TA MNT, SENSOR LINK |

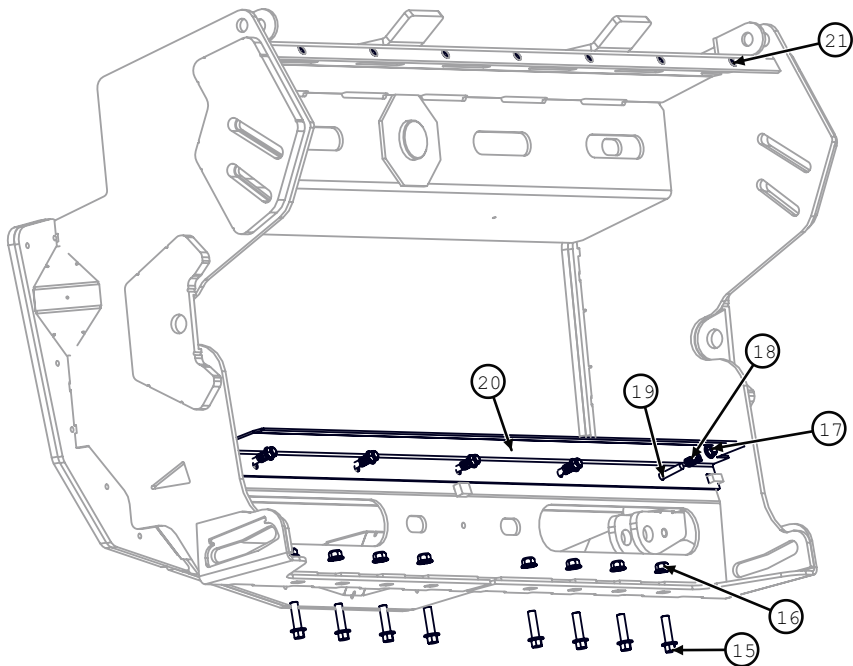
Model JS7010 Hillco Leveling System
For Serial Numbers JS7010-12001 thru JS7010-12999

TRANSITION THROAT

Front



Back

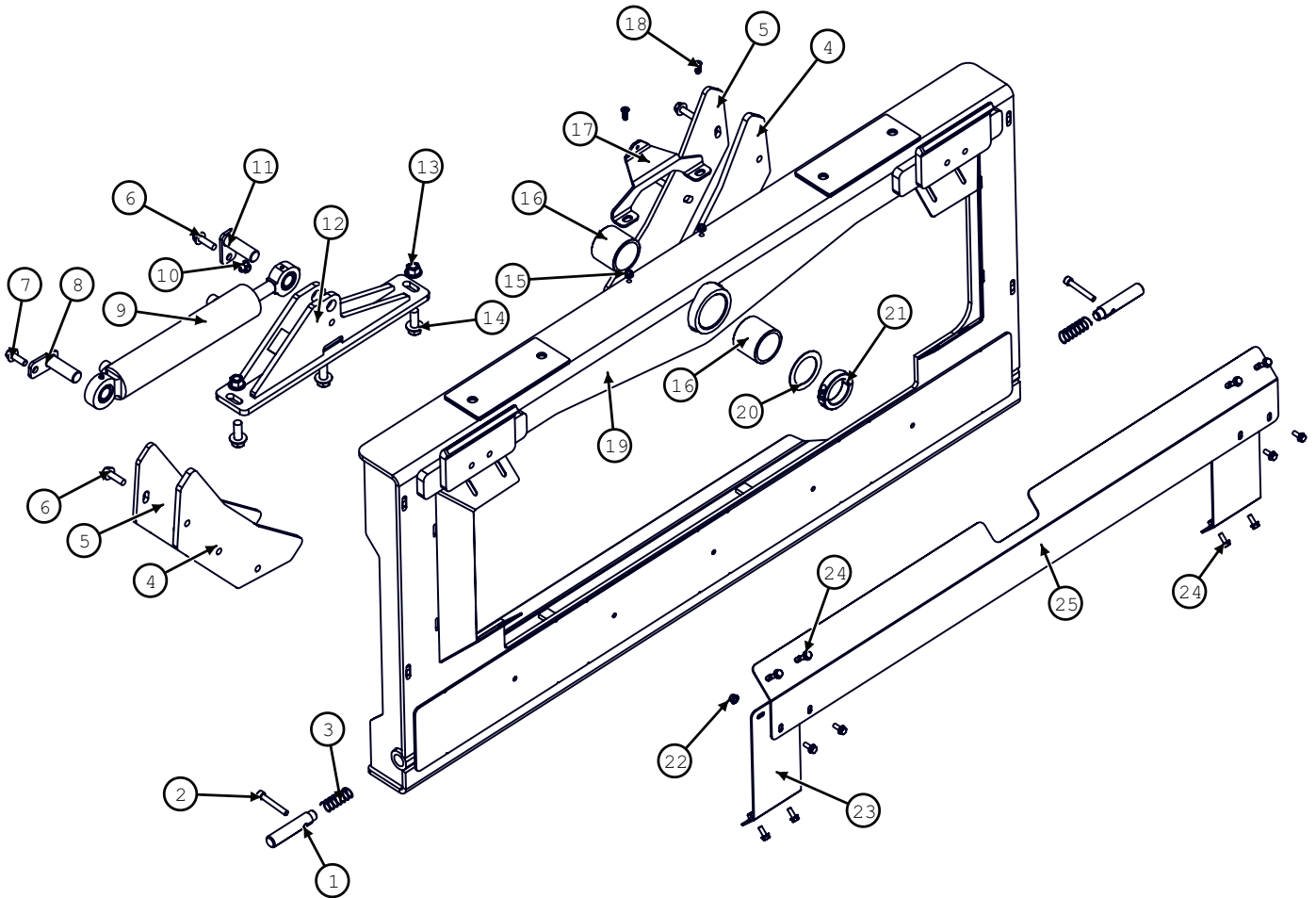


Model JS7010 Hillco Leveling System
For Serial Numbers JS7010-12001 thru JS7010-12999

| Transition Throat | | | |
|--------------------------|-----------------|------------|---|
| BOM ID | Part No. | Qty | Description |
| 1 | LM-250581 | 1 | TM UHMW, BOTTOM WEARPAD |
| 2 | F-FHS-8M016E | 17 | FHSC-10.9M8X1.25X016 |
| 3 | LM-250571 | 1 | TM UHMW, RIGHT WEARPAD |
| 4 | LM-250561 | 1 | TM UHMW, LEFT WEARPAD |
| 5 | LA-269141 | 2 | LM ASM, FDR DRUM ARM (70SERIES 730101-) |
| 6 | MC-146641 | 3 | LINK, OFFSET COUPLER CA557 (AH220867) |
| 7 | F-HC-10M020E | 8 | FLHC-M10X1.5X20 |
| 8 | MC-146381 | 4 | LINK-W/K6, CA557 (AH220868) |
| 9 | MC-146391 | 5 | LINK, FEMALE, CA557 (AH209911) |
| 10 | F-HNS-10ME | 8 | HEX NUT-10.9 M10 X 1.50 STOVER PLT |
| 11 | MC-140261 | 3 | CHAIN LINK COUPLER, CA557 (JD#AH220541) |
| 12 | MC-146402 | 2 | SLAT, CAST (H229581) |
| 13 | LW-290461 | 1 | TT ASM, FRONT |
| 14 | F-MB-14NR40 | 3 | MACHINE BUSHING 14GAUGE 2-1/2" |
| 15 | F-HCF-12M045E | 8 | FLHC-10.9M12X1.75X45 |
| 16 | F-HNFS-12ME | 8 | HEX FLANGE NUT 10.9M12 |
| 17 | F-HNFS-10ME | 5 | FLHN-10.9M10X1.5 STVR |
| 18 | MC-143591 | 5 | SPRING, C .703DX1.09LX.125W |
| 19 | F-CB-10M060F | 5 | CARR-8.8M10X1.5X60 |
| 20 | LB-290671 | 1 | TT SHT, FLEX FLOOR |
| 21 | F-HNF-08ME | 7 | FLHN-10.9M8X1.25 |

Model JS7010 Hillco Leveling System
For Serial Numbers JS7010-12001 thru JS7010-12999

TRANSITION HEADER ADAPTER



Model JS7010 Hillco Leveling System
For Serial Numbers JS7010-12001 thru JS7010-12999

| Transition Header Adapter | | | |
|----------------------------------|-----------------|------------|---|
| BOM ID | Part No. | Qty | Description |
| 1 | LM-229193 | 2 | TA RND, LOCKOUT PIN |
| 2 | F-SHC-10M070F | 2 | SHCS-8.8 M10 X 1.50 X 70 PLT |
| 3 | MC-135531 | 2 | SPRING, COM, 1"ODx2-7/8"Lx .0625W |
| 4 | LP-250551 | 2 | TM UHMW, BACKING WEARPAD |
| 5 | LP-250541 | 2 | TM PLT, BACKING |
| 6 | F-HCF-12M040E | 7 | FLHN-10.9 M12X1.75X040 |
| 7 | F-HCF-12M035E | 1 | FLHC-10.9 M12 X 1.75 X 35 |
| 8 | LA-253883 | 1 | LM ASM, PIN |
| 9 | HC-138582 | 1 | CLY 2-1/2X10, INLINE PORTS |
| 10 | F-HNSF-12ME | 1 | FLHN 10.9 M12 X 1.75 STOVER |
| 11 | LA-253883 | 1 | LM ASM, PIN |
| 12 | LA-250713 | 1 | TM WLD, SLAVE CYL ROD MNT |
| 13 | F-HNSF-16ME | 2 | FLHN-10.9M16X2.00 STV |
| 14 | F-HCF-16M040E | 3 | FLHC-10.9 M16X2.00X040 |
| 15 | F-HNF-08ME | 2 | FLHN-10.9M8X1.25 |
| 16 | LTP-241721 | 2 | LTM BUSHING, PVT |
| 17 | LB-295522 | 1 | TA MNT, SENSOR LINK |
| 18 | F-FHS-8M025E | 2 | FHSC-10.9 M8 X 1.25 X 25 |
| 19 | LW-250165 | 1 | TA ASM |
| 20 | F-MB-14NR40 | 1 | MACHINE BUSHING 14GAUGE 2-1/2" |
| 21 | MC-150741 | 1 | Clamping Collar 2-1/4" ID (Climax 2C-225) |
| 22 | F-HNFS-08ME | 12 | FLHN-10.9M08X1.25 STOVER |
| 23 | LP-250534 | 2 | TM PLATE, L&R SHIELD |
| 24 | F-HCF-08M020E | 12 | FLHC-10.9M8X1.25X20 |
| 25 | LP-250522 | 1 | TM PLATE, TOP SHIELD |

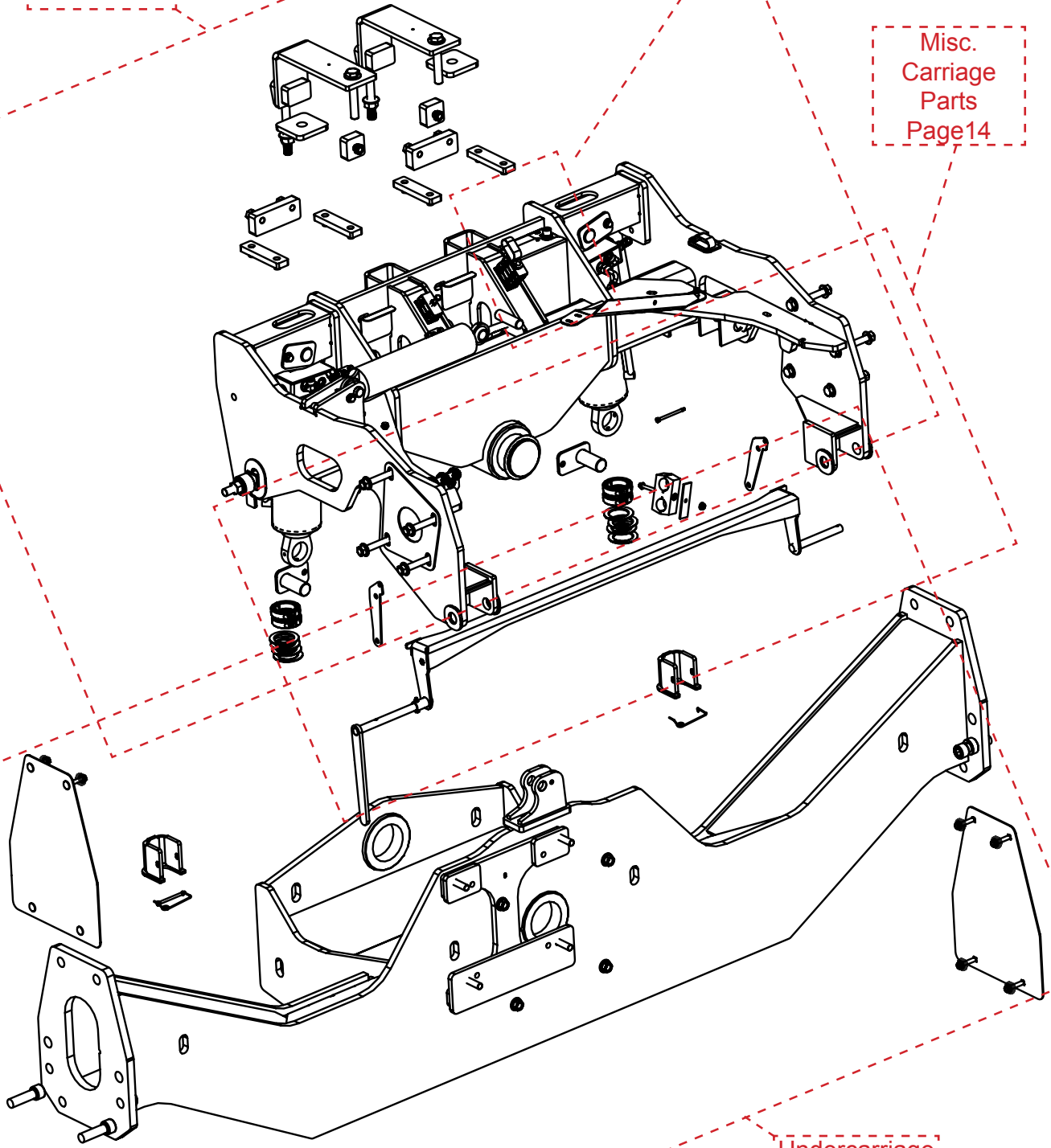
Model JS7010 Hillco Leveling System
For Serial Numbers JS7010-12001 thru JS7010-12999

Carriage

Overcarriage
Page 11

Carriage
Position Sensor
Page 15

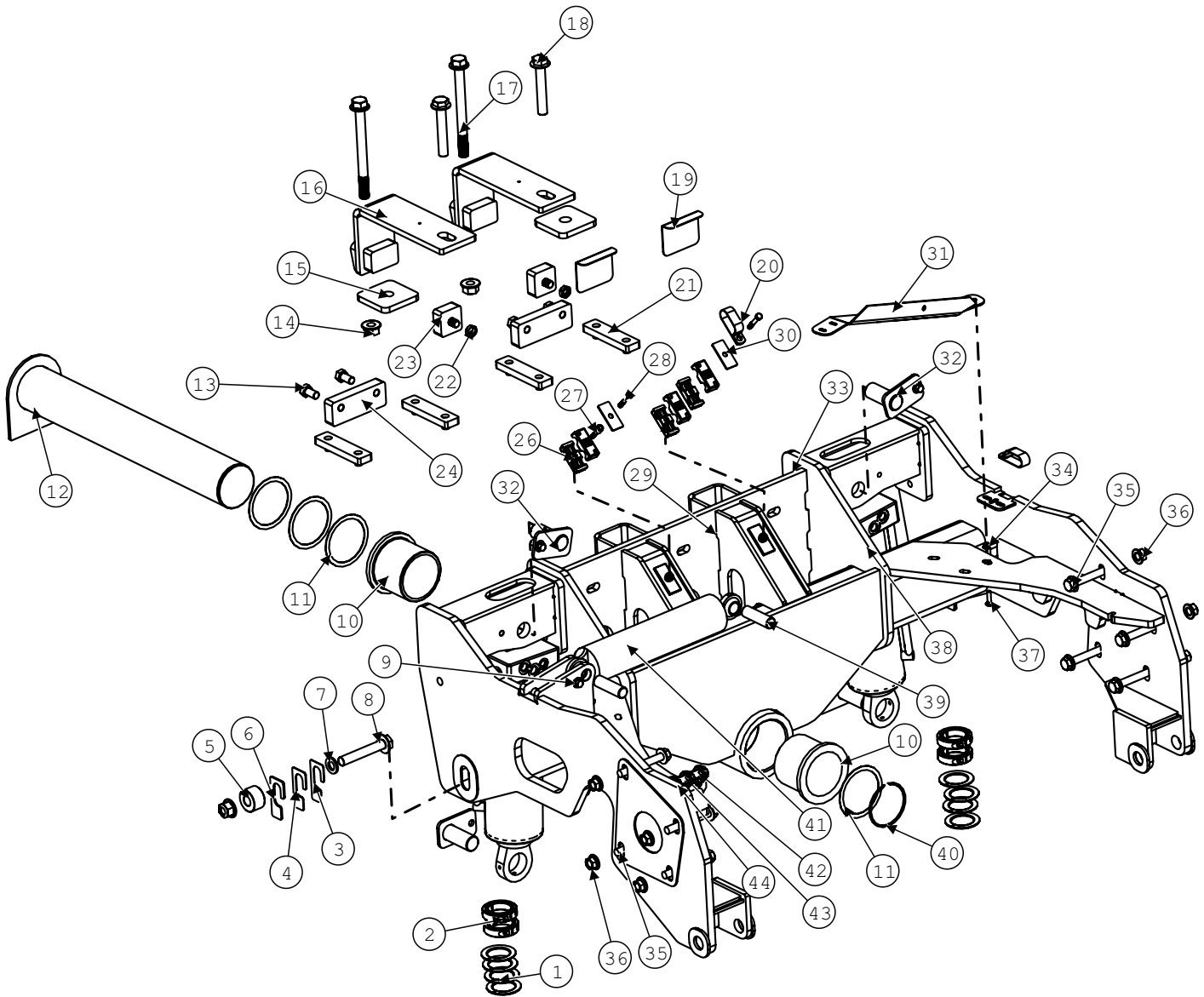
Misc.
Carriage
Parts
Page 14



Undercarriage
Page 13

Model JS7010 Hillco Leveling System
For Serial Numbers JS7010-12001 thru JS7010-12999

Overcarriage

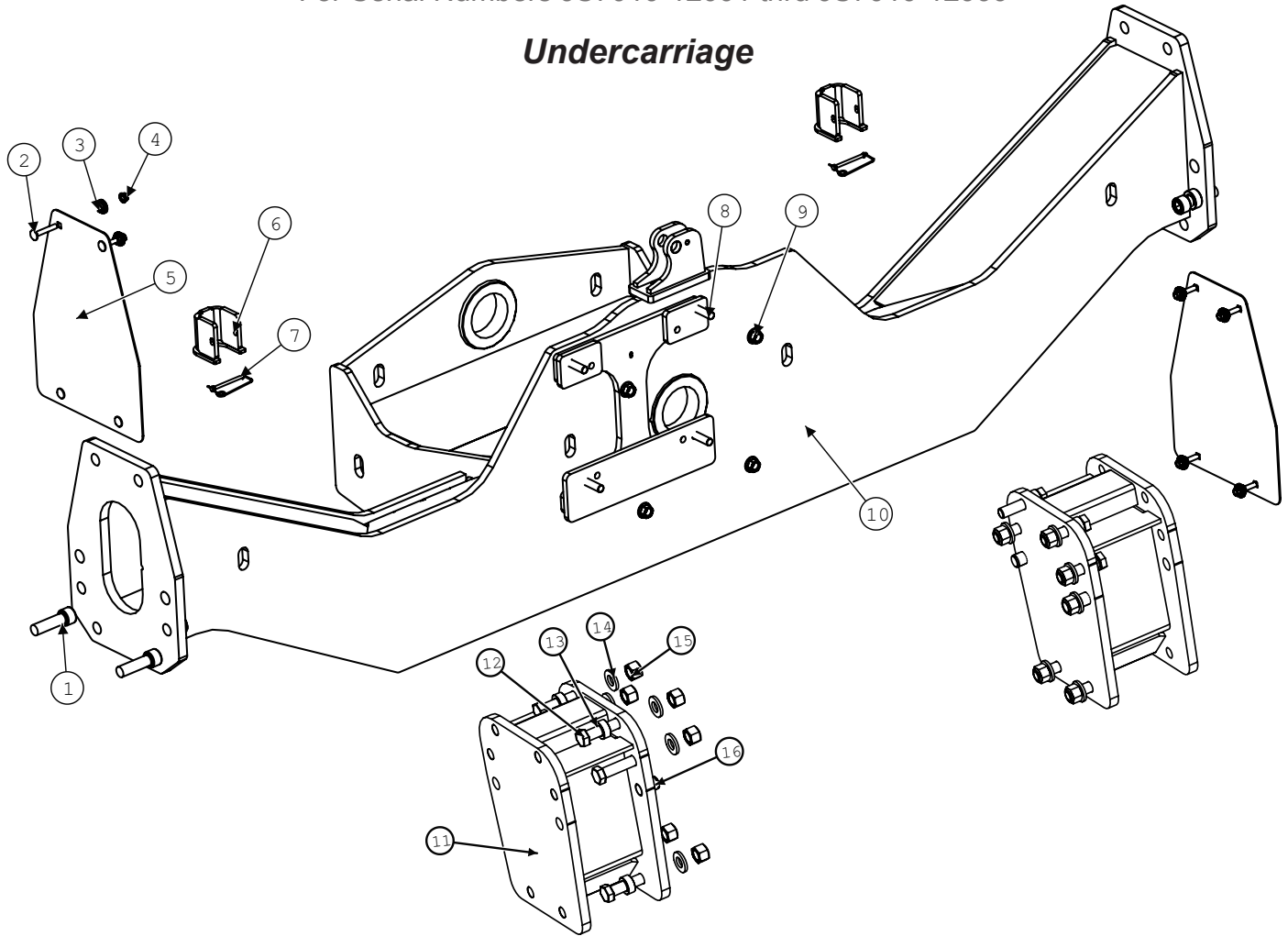


Model JS7010 Hillco Leveling System
For Serial Numbers JS7010-12001 thru JS7010-12999

| Overcarriage | | | |
|---------------------|-----------------|------------|---|
| BOM ID | Part No. | Qty | Description |
| 1 | MC-137501 | 8 | WASHER, QUICK REPAIR 2" |
| 2 | MC-137251 | 4 | COLLAR, 2 PIECE CLAMPING, 2"BORE |
| 3 | LP-276151 | 2 | CM PLT, BODY SHIM 16GA |
| 4 | LP-276141 | 2 | CM PLT, BODY SHIM 14GA |
| 5 | LM-259831 | 2 | CU BUSHING, FINAL BOLT |
| 6 | LP-276131 | 2 | CM PLT, BODY SHIM 1/8" |
| 7 | F-LWC-14 | 2 | WASHER, LOCK, CONICAL 7/8" |
| 8 | F-HCF-20M120E | 2 | FLHC-10.9M20X2.5X120 |
| 9 | F-HCF-10M020E | 1 | FLHC-10.9M10X20 |
| 10 | LP-247961 | 2 | CM BUSHING, PIVOT |
| 11 | MC-138641 | 4 | WASHER; 4.016ID X 4.764OD X 0.048 |
| 12 | LW-291351 | 1 | CM WLD, PIVOT PIN (JS-9010) |
| 13 | F-HC-16M030E | 4 | M16X2.0X30 HEX HEAD SCREW 10.9 |
| 14 | F-HNSF-20ME | 4 | FLHN-10.9M20X2.5 STVR |
| 15 | LP-297901 | 2 | CM PLT, SPACER, TUBE CLAMP |
| 16 | LW-293631 | 2 | CM WLD, AXLE CLAMP (9010) |
| 17 | F-HCF-20M220E | 2 | FLHC 10.9M20X2.50X220 (JD#19M8988) |
| 18 | F-HCF-20M120F | 2 | FLHC-10.9 M20X2.5X120 |
| 19 | LP-270041 | 2 | CM PLT, CARRIAGE SHIM |
| 20 | MC-147781 | 2 | CLAMP 1/4" DOUBLE LOOP 3/8HOLE |
| 21 | LW-293921 | 4 | CO WLD, LOWER CARRIAGE SHIM (7010) |
| 22 | F-HNJ-16MF | 2 | HN-8.8 M16 X 1.75 JAM PLT |
| 23 | LW-293951 | 2 | CO WLD, UPPER CARRIAGE SHIM (7010) |
| 24 | LM-293911 | 2 | CO PLT, CARRIAGE LOCK (7010) |
| 26 | HC-139431 | 6 | BEHRINGER TWIN CLAMP -.750 DIA |
| 27 | HC-139471 | 1 | STACK BOLT, BEHRINGER 5/16-18 |
| 28 | F-HC5-05C32 | 2 | HC5 5/16-18 X 2 |
| 29 | LW-291331 | 1 | CO WLD, BASE |
| 30 | HC-139451 | 2 | BEHRINGER TWIN COVER PLT 0.875 |
| 31 | LM-274901 | 1 | LM PLT, SUPPORT, HYDRO HOSE |
| 32 | LA-230552 | 4 | CM PIN ASM, MAIN CYLINDER |
| 33 | F-HCF-12M025E | 4 | FLHC-10.9M12X1.75X25 |
| 34 | F-HNF-08ME | 2 | FLHN-10.9M8X1.25 |
| 35 | F-HCF-16M110E | 8 | FLHC-10.9M16X2.0X110 |
| 36 | F-HNF-16ME | 8 | FLHN-10.9M16X2.0 |
| 37 | F-CB-08M030F | 1 | CARR-8.8M8X1.25X30 |
| 38 | LA-295611 | 2 | LM CLY, MAIN (GRN) |
| 39 | LW-293491 | 2 | TM PIN ASM, BASE END |
| 40 | MC-138651 | 1 | SNAP RING; 4" |
| 41 | HC-140342 | 1 | CYL, 3"B,8-3/4"S,1-3/8"R, 17-1/4"CPC, CROSS |
| 42 | HA-S-2FP2MN | 5 | UNION, 1/8" NPSMx1/8" FPT, BULKHEAD |
| 43 | HA-NJ-2FN | 5 | 1/8" NPSM BULKHEAD LOCKNUT |
| 44 | HC-138011 | 5 | ZERK, GREASE 1/4-28 STR |

Model JS7010 Hillco Leveling System
For Serial Numbers JS7010-12001 thru JS7010-12999

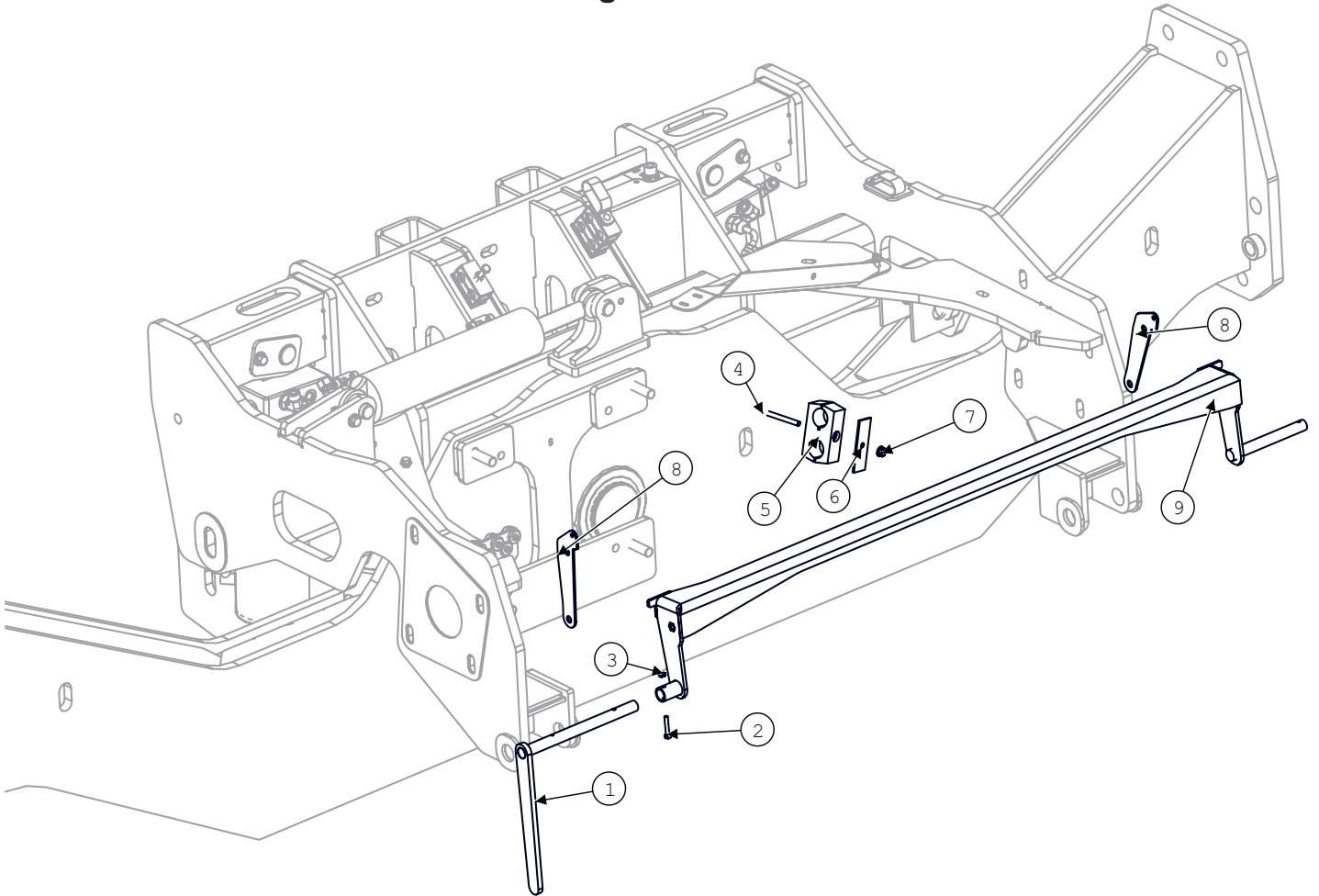
Undercarriage



| Undercarriage | | | |
|---------------|---------------|-----|-------------------------------|
| BOM ID | Part No. | Qty | Description |
| 1 | F-SHC-24M080D | 4 | SHCS 12.9-M24 X 3 X 80 PLT |
| 2 | F-CB-10M050F | 8 | CARR-8.8M10X1.5X50 HEAD SCREW |
| 3 | MC-151021 | 8 | BUSHING, PLASTIC (JD#Z31550) |
| 4 | F-HNF-10ME | 8 | FLHN-10.9 M10 X 1.50 |
| 5 | LP-293831 | 2 | CM SHT, CAP, AXLE |
| 6 | LW-295271 | 2 | LM WLD, CLY STOP |
| 7 | F-PSL-04X48 | 2 | SNAP LOCK PIN 1/4 X 3 |
| 8 | F-STD-16M075E | 4 | STUD, DOUBLE-10.9 M16X2.00X75 |
| 9 | F-HNF-16ME | 4 | FLHN-10.9M16X2.0 |
| 10 | LM-290811 | 1 | WIDE CARRIAGE |
| NS | LM-292921 | 1 | NARROW UNDERCARRIAGE |
| 11-16 | LA-253141 | 1 | AXLE EXTENSIONS |
| 11 | LA-253132 | 2 | LM WLD, 9.25 AXLE EXTENSION |
| 12 | F-HC-24M100E | 12 | M24 X 3 X 110 HEX CAP |
| 13 | LM-266382 | 8 | CU TM, SPACER-FINAL DRIVE |
| 14 | MC-141121 | 12 | FW M25.4 X 50.0 X 6.0 |
| 15 | F-HNS-24ME | 12 | STOVER NUT 24MX3 |
| 16 | LM-253871 | 4 | LM RND, DOWEL |

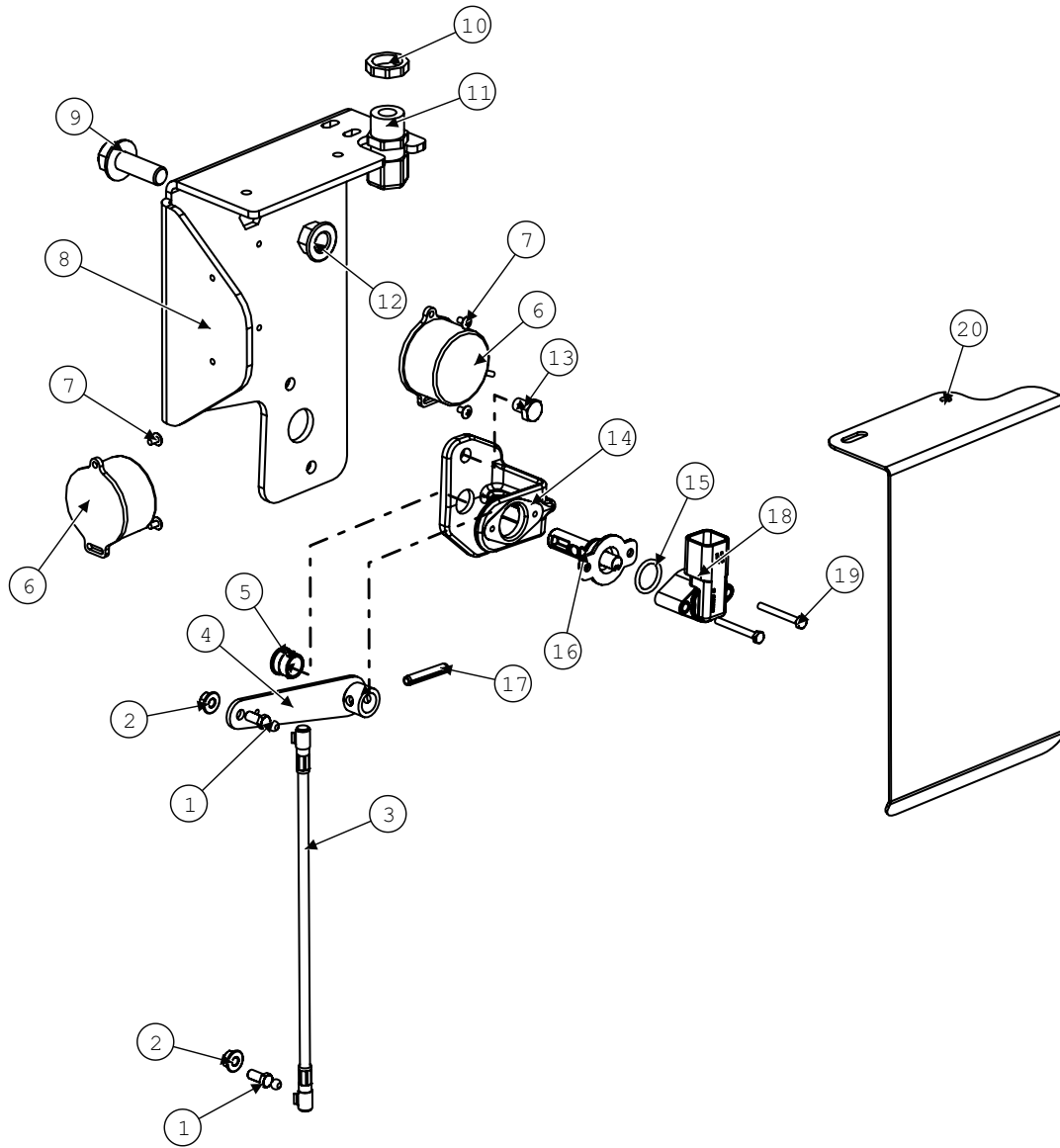
Model JS7010 Hillco Leveling System
 For Serial Numbers JS7010-12001 thru JS7010-12999

Carriage Misc. Parts



| Overcarriage Misc. | | | |
|--------------------|---------------|-----|----------------------------------|
| BOM ID | Part No. | Qty | Description |
| 1 | LA-264501 | 1 | LM ASM, HANDLE, ROCK TRAP |
| 2 | F-HC-06M035E | 1 | HC-10.9 M6x1.0X35 |
| 3 | F-HNN-06MF | 1 | HN-8.8M6X1.0 NYLOCK |
| 4 | F-HCF-08M080E | 1 | FLHC-10.9M08X80 |
| 5 | HC-148281 | 1 | CLAMP, BEHRINGER (PAIR), 1-3/8" |
| 6 | MC-137531 | 1 | COVER PLATE W/ 5/16 HOLE |
| 7 | F-HNF-08ME | 1 | FLHN-10.9M8X1.25 |
| 8 | LP-290741 | 2 | LM SHT, ROCK TRAP LINKAGE, UPPER |
| 9 | LA-264511 | 1 | LM ASM, LINKAGE, ROCK TRAP |

Carriage Position Sensor

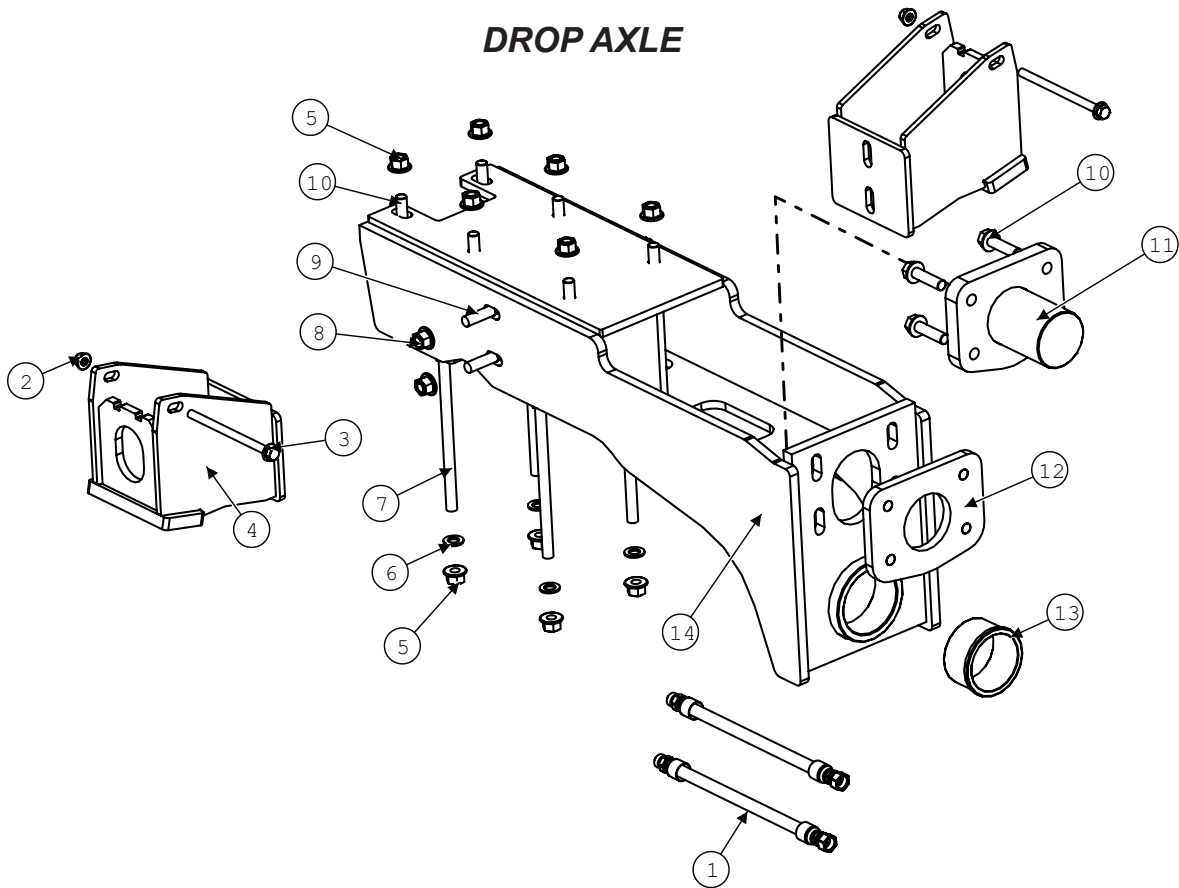


Model JS7010 Hillco Leveling System
For Serial Numbers JS7010-12001 thru JS7010-12999

| Carriage Position Sensor | | | | |
|--------------------------|-----------------|---------------------|-----|--|
| BOM ID | Hillco Part No. | John Deere Part No. | Qty | Description |
| 1 | MC-151341 | H168732 | 2 | BALL STUD (H168732) |
| 2 | F-HNF-06ME | - | 2 | FLHN-10.9M6X1.00 |
| 3 | MC-151331 | AH226146 | 1 | LINKAGE, POSITION (AH226146) |
| 4 | MC-151371 | AXE17303 | 1 | ARM, ASSY, TILT SENSOR, HM (axe17303) |
| 5 | MC-151361 | R41076 | 1 | BUSHING, (R41076) |
| 6 | LA-295431 | - | 2 | EM ASM, CLINOMETER |
| 7 | F-PHM-#C604 | - | 4 | PHMS #6-32X1/4 |
| 8 | LB-295142 | - | 1 | EM SHT, SENSOR MNT, CLINOMETER |
| 9 | F-HCF-12M035E | - | 1 | FLHC 10.9 M12 X 1.75 X 35 PLT |
| 10 | EC-142121 | - | 1 | STRAIN RELIEF NUT, 1/2" BLACK |
| 11 | EC-138781 | - | 1 | STRAIN RELIEF, NYLON, BLK, |
| 12 | F-HNF-12ME | - | 1 | FLHN-10.9 M12 x 1.75 PLT |
| 13 | F-HC-08M010F | 19m7008 | 2 | HC-8.8M8X1.25X10 (19m7008) |
| 14 | MC-151321 | HXE16001 | 1 | BRACKET, SENSOR MNT (HXE16001) |
| 15 | MC-151391 | P48347 | 1 | O-RING, 11/16ID (P48347) |
| 16 | MC-151401 | AXE14888 | 1 | SHAFT, ROUGH SERVICE DEVICE (AXE14888) |
| 17 | F-PR-06Mx36 | - | 1 | PIN, ROLL 6mm x 36mm |
| 18 | EC-151381 | AXE14246 | 1 | SENSOR, ROTATION, HALL 2CH +/-120DE (axe14246) |
| 19 | F-HC-04M035E | 19M9368 | 2 | HC-8.8M4X0.7X035 (19m9368) |
| 20 | LB-303151 | - | 1 | EM SHT, SHIELD SENSOR |

Model JS7010 Hillco Leveling System
For Serial Numbers JS7010-12001 thru JS7010-12999

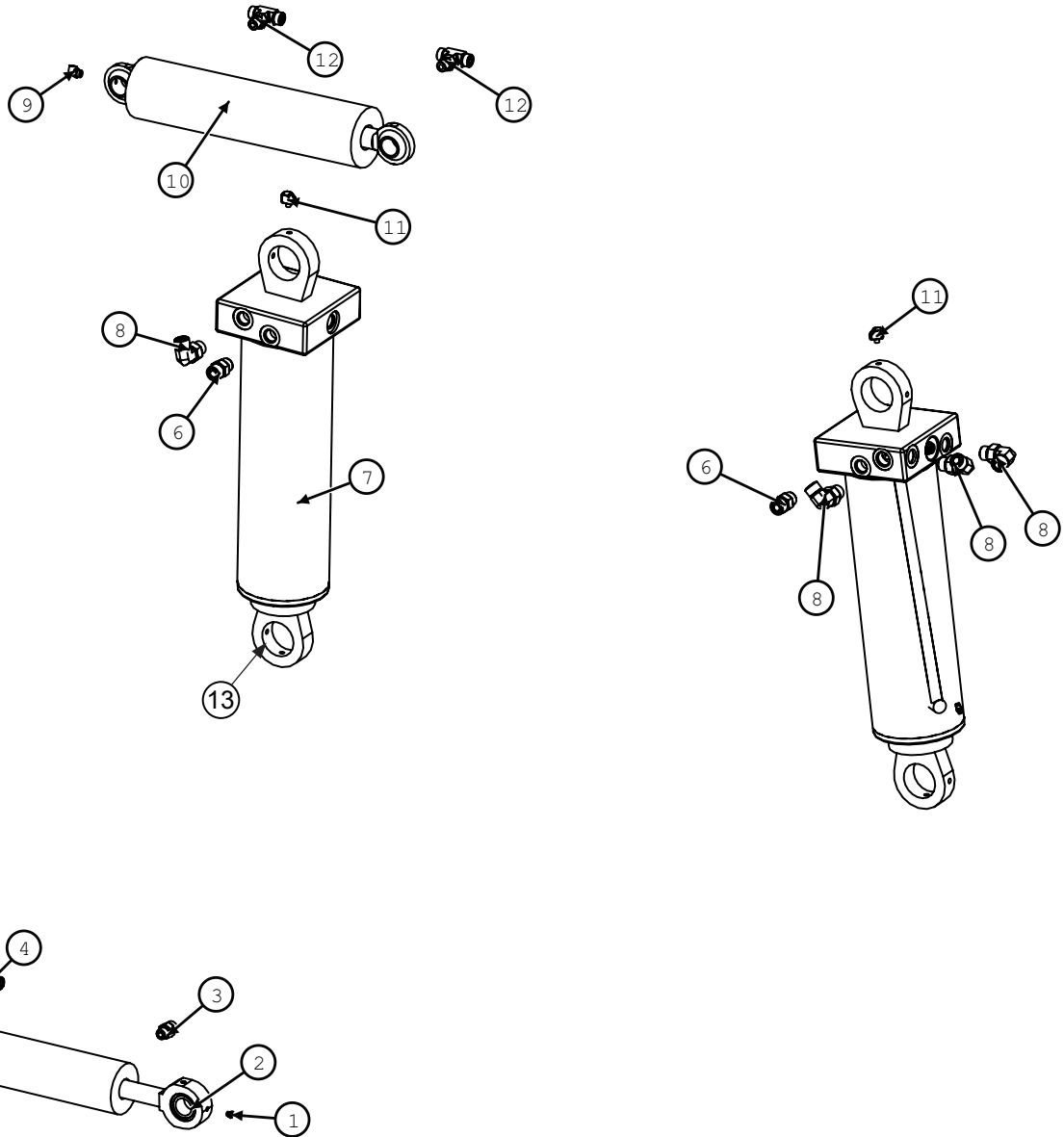
DROP AXLE



| Drop Axle | | | |
|-----------|---------------|-----|----------------------------|
| BOM ID | Part No. | Qty | Description |
| 1 | LA-273461 | 2 | HOSE, 3/8" R2 #8FF#8MF 15" |
| 2 | F-HNFS-12ME | 2 | FLHN-10.9M12X1.75 STVR |
| 3 | F-HCF-12M180E | 2 | FLHC-10.9M12X2.0X180 |
| 4 | LW-299901 | 2 | DA WLD, WING |
| 5 | F-HNSF-16ME | 10 | FLHN-10.9M16X2.00 STV |
| 6 | F-FW-10 | 4 | WASHER, FLAT, 5/8 |
| 7 | F-HC-16M250E | 4 | M16X2.0X250 HEX HEAD SCREW |
| 8 | F-HNFS-16ME | 4 | FLHN-10.9M16X2.00 STV |
| 9 | F-CB-16M050E | 4 | CARR-10.9M16X2.0X90 |
| 10 | F-HCF-16M060E | 10 | FLHC-10.9 M16 X 2.0 X 60 |
| 11 | LW-291071 | 1 | DA WLD, PIVOT |
| 12 | LP-291091 | 1 | DA PLT, PVOT LOCK |
| 13 | LP-235092 | 1 | LM BUSHING, DA PIVOT |
| 14 | LW-291021 | 1 | DROP AXLE SPACER |

Model JS7010 Hillco Leveling System
 For Serial Numbers JS7010-12001 thru JS7010-12999

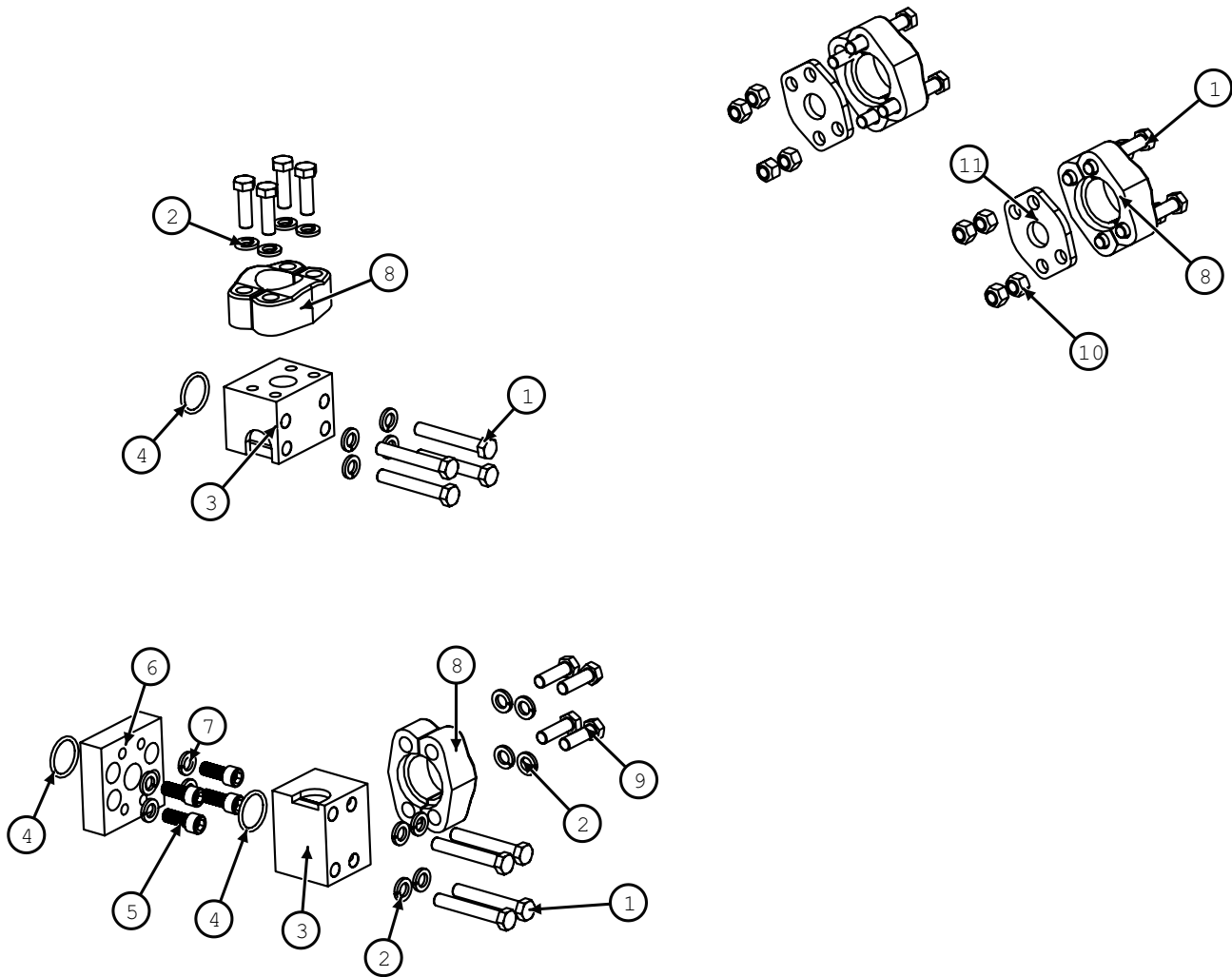
Hydraulic Components



| Hydraulic Cylinders | | | |
|---------------------|---------------|-----|---|
| BOM ID | Part No. | Qty | Description |
| 1 | HC-138011 | 2 | ZERK, GREASE 1/4-28 STR |
| 2 | MC-140321 | 2 | BEARING, SEALED SPHERICAL-1 IN |
| 3 | HA-S-6MF6MO | 1 | STR -6MORB X -6MORS |
| 4 | HA-L-6MF6MO | 1 | ELBOW, 90°, 6MF x 6MO |
| 5 | HC-138582 | 1 | CLY 2-1/2X10, INLINE PORTS |
| 6 | HA-S-8MF8MO | 2 | STR, -8MF x -8MO |
| 7 | HC-151002 | 2 | CYLINDER, CB VALVE, 4-1/2x11, 22-1/2CPC |
| 8 | HA-L-8MF8MO | 4 | ELBOW, 90°, #8MORS#8MORB |
| 9 | HC-135771 | 1 | 1/4-28 MALE X 1/8 FPT 90° |
| 10 | HC-140342 | 1 | CYL, 3"B,8-3/4"S,1-3/8"R, 17-1/4"CPC, CROSS |
| 11 | HC-135761 | 2 | 1/4-28 MALE X 1/8 FPT 45 DEG |
| 12 | HA-Q-06MF06MO | 2 | TEE, STRAIGHT THREAD, BRANCH -6MF x -6MO |
| 13 | MC-150881 | 4 | 1 3/8" BEARING, SEALED SPHERICAL |

Model JS7010 Hillco Leveling System
For Serial Numbers JS7010-12001 thru JS7010-12999

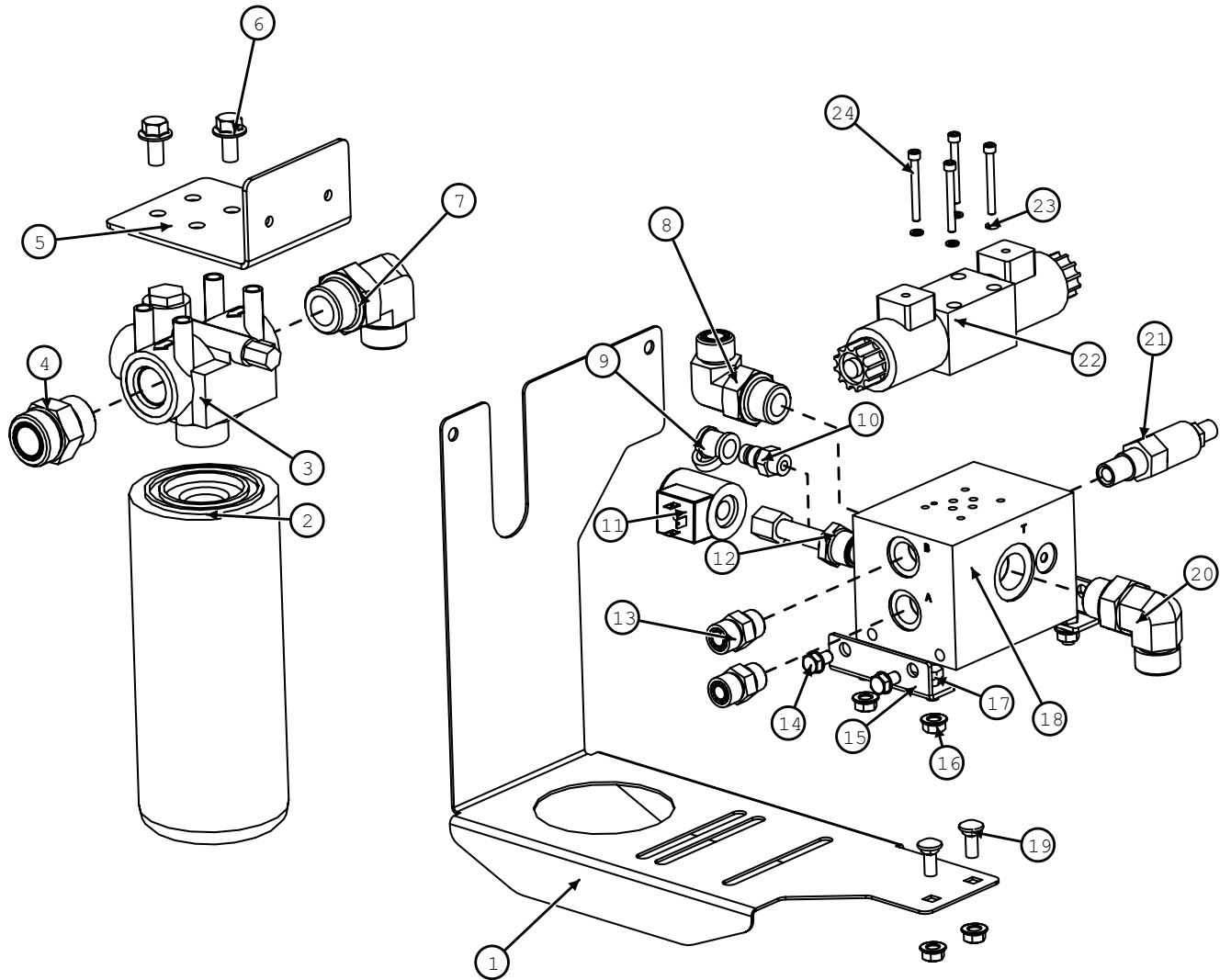
Hydro Hose Adapters



| Code 62 Adapters | | | |
|------------------|---------------|-----|------------------------------------|
| BOM ID | Part No. | Qty | Description |
| 1 | F-HC-12M080E | 16 | HC-10.9M12X1.75X80 |
| 2 | F-LW-08A | 16 | LW 1/2 HD |
| 3 | LM-261082 | 2 | HM BLOCK, CODE 62 90° |
| 4 | HC-147551 | 3 | O-RING, CODE 62, 1" |
| 5 | F-SHC-12M030D | 4 | SHCS-12.9M12X1.75X30 |
| 6 | LM-143372 | 1 | HM ADAPTER, CODE 62 90° ROTATIONAL |
| 7 | F-LWHC-08 | 4 | LW 1/2 HD HIGH COLLAR |
| 8 | HC-147601 | 8 | FLANGE, 1" CODE 62, HALF |
| 9 | F-HC-12M040E | 8 | HC-10.9M12X1.75X40 |
| 10 | F-HNS-12ME | 8 | HN-10.9M8X1.25 STVR |
| 11 | LM-272242 | 2 | HM PLT, CODE 62 1" UNION |

Model JS7010 Hillco Leveling System
For Serial Numbers JS7010-12001 thru JS7010-12999

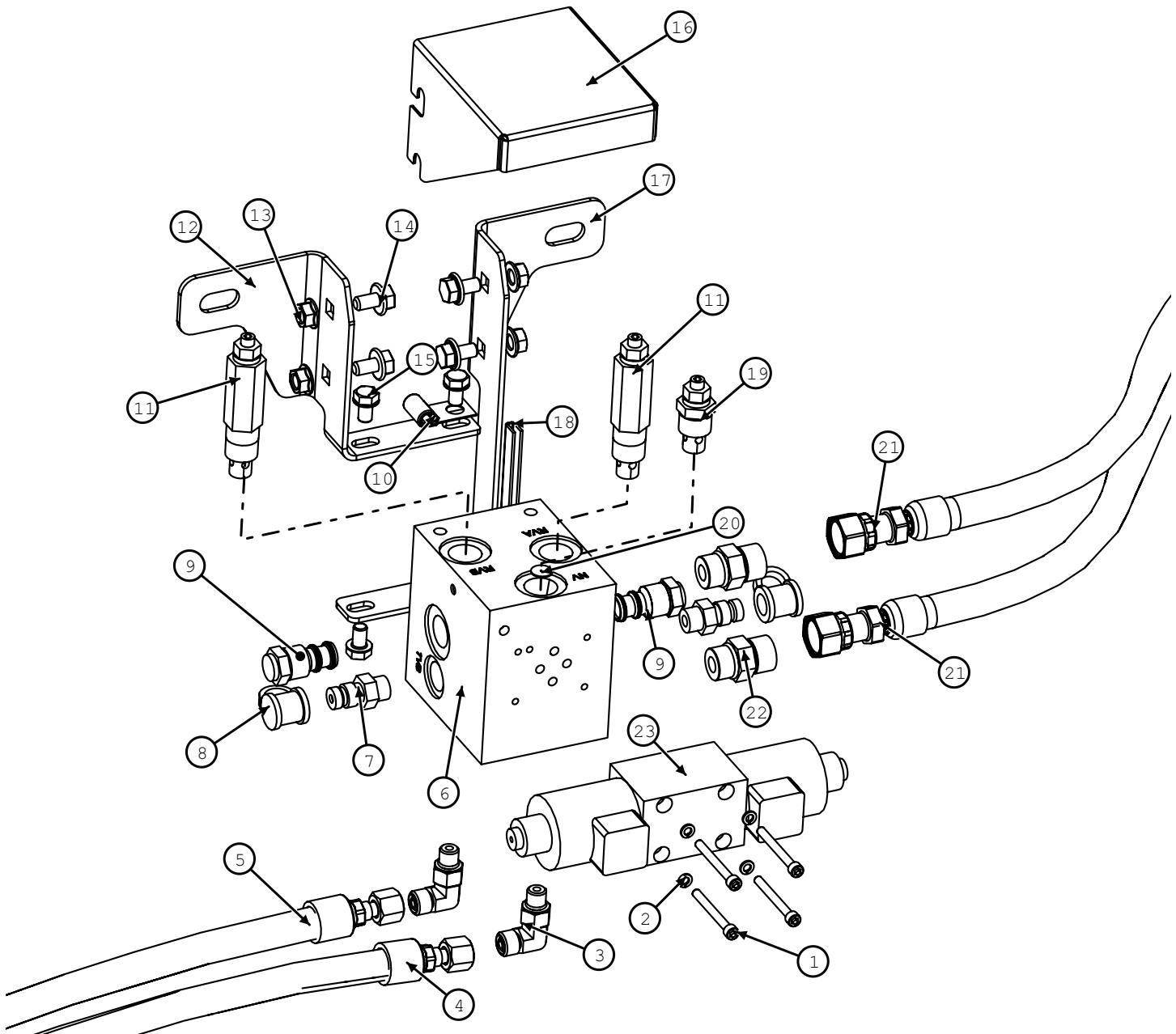
Leveling Manifold



Model JS7010 Hillco Leveling System
For Serial Numbers JS7010-12001 thru JS7010-12999

| Leveling Manifold | | | |
|--------------------------|-----------------|------------|---|
| BOM ID | Part No. | Qty | Description |
| 1 | LB-296131 | 1 | HM PLT, MANIFOLD MNT |
| 2 | AH128449 | 1 | HYDRAULIC FILTER |
| 3 | AH227172 | 1 | FILTER MOUNT |
| 4 | HA-S-16MF16MO | 1 | STR, -16MO x -16MF |
| 5 | LB-296121 | 1 | HM MNT, RETURN FILTER |
| 6 | F-HCF-10M020E | 2 | FLHC-10.9M10X20 |
| 7 | HA-L-16MO12MF | 1 | ELBOW, 90° 16MO x 12MF |
| 8 | HA-L-12MO10MF | 1 | ELBOW, 90° -12MO-10MF |
| 9 | HC-144001 | 1 | COVER, DUST |
| 10 | HC-143991 | 1 | COUPLER, QUICK-CONNECT HYD |
| 11 | HC-146372 | 1 | COIL, DUMP VALVE |
| 12 | HC-146362 | 1 | CARTRIDGE, DUMP VALVE |
| 13 | HA-S-8MF8MO | 2 | STR, -8MF x -8MO |
| 14 | F-HCF-05C08 | 4 | FLHC 5/16-18 X 1/2 SERRATED |
| 15 | LP-267511 | 2 | HM, PLT, MOUNT, MANIFOLD |
| 16 | F-HNF-08ME | 6 | FLHN-10.9M8X1.25 |
| 17 | F-HC-8M016F | 4 | HC-8.8M8X1.25X.16 |
| 18 | LM-146353 | 1 | MANIFOLD, CUSTOM LEVELING |
| 19 | F-CB-08M020F | 2 | CARR-8.8M8X1.25X20 HEAD SCREW |
| 20 | HA-L-12MF12MO | 1 | ELBOW, 90° -12MO-12MF |
| 21 | HC-142992 | 1 | CARTRIDGE, RELIEF VALVE, PILOT |
| 22 | HC-140411 | 1 | VALVE, D03, PRO, CLY, (PRM2-063Z11/30-12) |
| 23 | F-LW-#10 | 4 | WASHER, LOCK, SPLIT RING, #10 |
| 24 | F-SHC-#10C28 | 4 | SCREW, SOCKET CAP, GR5 |

Header Trim Manifold

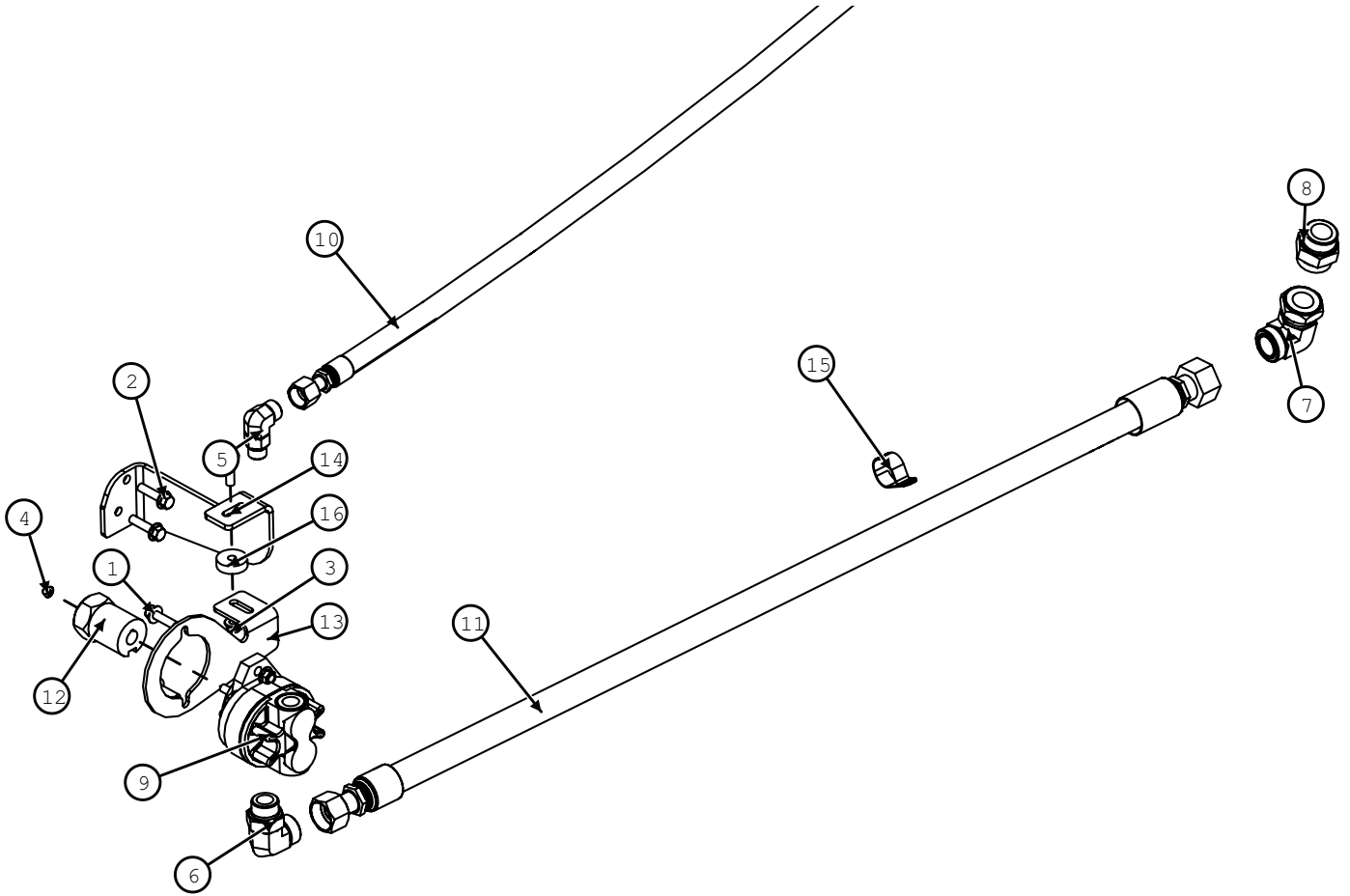


Model JS7010 Hillco Leveling System
For Serial Numbers JS7010-12001 thru JS7010-12999

| Trim Manifold | | | |
|----------------------|-----------------|------------|--|
| BOM ID | Part No. | Qty | Description |
| 1 | F-SHC-#10C28 | 4 | SCREW, SOCKET CAP, GR5 |
| 2 | F-LW-#10 | 4 | WASHER, LOCK, SPLIT RING, #10 |
| 3 | HA-L-4MF4MO | 2 | ELBOW, 90°, -4MF x -4MO |
| 4 | LA-295912 | 1 | HOSE, 100R2-04 120", 06FF STR X 04FF STR |
| 5 | LA-295922 | 1 | HOSE, 100R2-04 129", -6FF STR X -4FF STR |
| 6 | LM-145441 | 1 | HC MANIFOLD, CUSTOM TRIM |
| 7 | HC-143991 | 2 | COUPLER, QUICK-CONNECT HYD |
| 8 | HC-144001 | 2 | COVER, DUST |
| 9 | HC-145511 | 2 | VALVE, PILOT OPERATED CHECK |
| 10 | HC-146661 | 1 | CLAMP, COATED J (t32231) |
| 11 | HC-145431 | 2 | RELIEF, POPPET DIRECT ACTING |
| 12 | LP-273881 | 1 | HM PLT, MANIFOLD MNT (L) |
| 13 | F-HNF-08ME | 4 | FLHN-10.9M8X1.25 |
| 14 | F-HCF-08M016E | 4 | FLHC-M08X1.25X16 |
| 15 | F-HCF-05C08 | 4 | FLHC 5/16-18 X 1/2 SERRATED |
| 16 | LP-286231 | 1 | HM SHT, MAINFOLD SHIELD |
| 17 | LP-273871 | 1 | HM PLT, MANIFOLD MNT (R) |
| 18 | LM-295471 | 1 | LM TRIM, EDGE GUARD |
| 19 | HC-145501 | 1 | VALVE, NEEDLE |
| 20 | LM-265561 | 1 | ORIFICE, (.0520") (TRIM MANIFOLD) |
| 21 | LA-295461 | 2 | HOSE, 100R2-04, 62" 08FORSX04FORS 90° |
| 22 | HA-S-8MF8MO | 2 | STR, -8MF x -8MO |
| 23 | HC-143011 | 1 | VALVE, DIRECTIONAL, SOLENOID |

Model JS7010 Hillco Leveling System
 For Serial Numbers JS7010-12001 thru JS7010-12999

Gear Pump



| Gear Pump | | | |
|-----------|----------------|-----|--|
| BOM ID | Part No. | Qty | Description |
| 1 | F-HCF-10M035E | 2 | SCREW, FLANGED HEX CAP, 10.9 |
| 2 | F-HCF-10M040E | 3 | FLHC-10.9M10X1.5X40 |
| 3 | F-HNFS-10ME | 3 | FLHN-10.9M10X1.5 STVR |
| 5 | HA-L-10MF10MO | 1 | ELBOW, 90°, -10MF x -10MO |
| 6 | HA-L-16MF16MO | 1 | ADAPTER, ELBOW, 90° |
| 7 | HA-L-20FF20MF | 1 | ELBOW, 90°, -20MF x -20FF |
| 8 | HA-S-20MF42MMO | 1 | STR, 42M MORB X #20MORS |
| 9 | HC-148181 | 1 | HYDRAULIC PUMP ASSY, REEL DRIVE |
| 10 | LA-295741 | 1 | HOSE, 100R2-10, 252" 10FORS 90° X 10FORS STR |
| 11 | LA-295791 | 1 | HOSE, 100R16-16, 55" 16FORS STR X 20FORS STR |
| 12 | LM-295441 | 1 | HM COUPLER, GEAR PUMP |
| 13 | LP-276551 | 1 | HM PLT, MOUNT, PUMP ANTI-ROTATION |
| 14 | LP-276561 | 1 | HM PLT, ANTI-ROTATION |
| 15 | MC-135631 | 1 | CLAMP, 1-1/2" R/C W 3/8 |
| 16 | MC-148341 | 1 | PAD-BUMPER |

Model JS7010 Hillco Leveling System
For Serial Numbers JS7010-12001 thru JS7010-12999

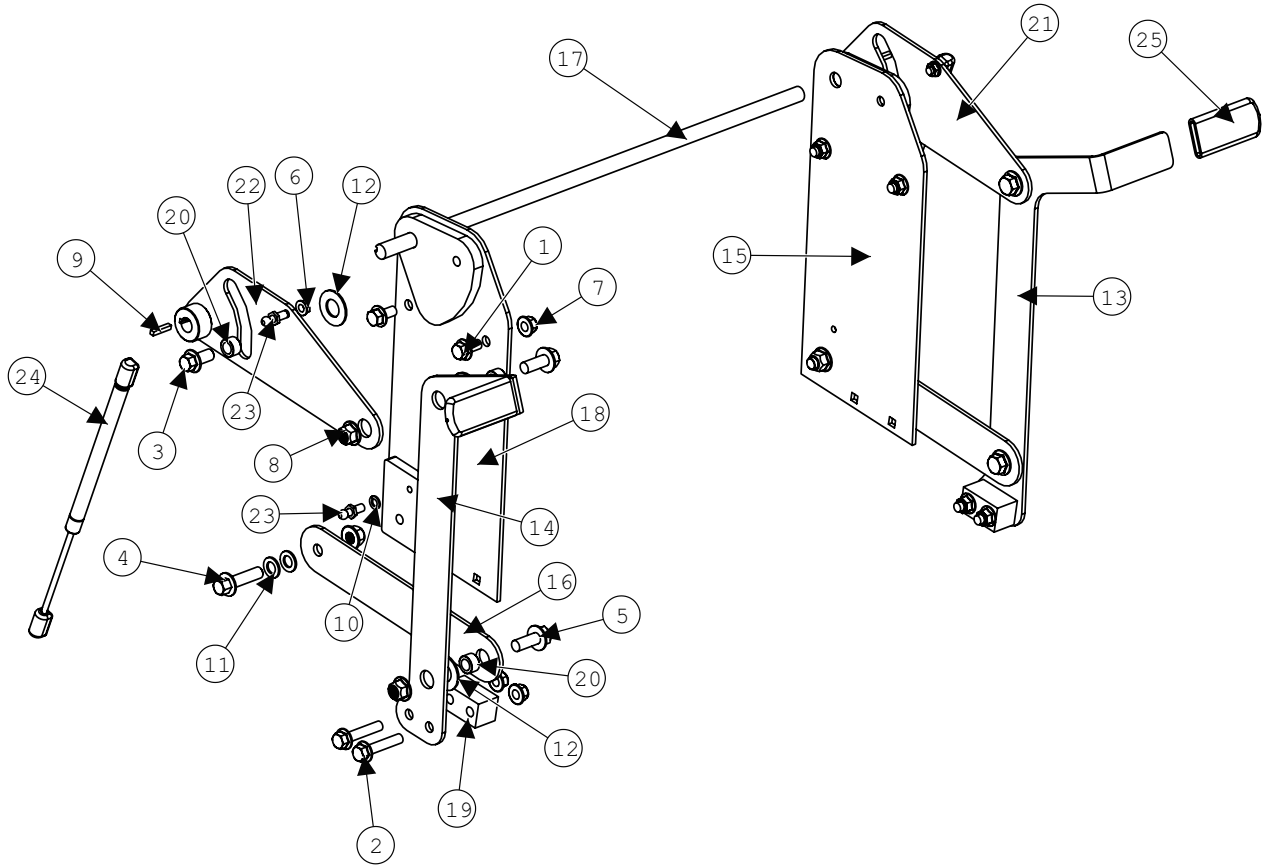
| Standard Transmission Hydraulic Hoses | | | |
|--|------------|--|---|
| Part No | Qty | Description | Hose Specs |
| LA-130371 | 2 | Extends Brake Lines | TITEFLEX, 31" -4FORSx4FORS&4UNION |
| LA-138942 | 1 | Grease Hose | 100R1-03, 33-1/2" 1/8 MPT X 1/8 MPT |
| LA-138951 | 1 | Grease Hose | 100R1-03, 40" 1/8 MPT X 1/8 MPT |
| LA-138963 | 1 | Grease Hose | 100R1-03, 54" 1/8 MPT X 1/8 MPT |
| LA-138974 | 2 | Grease Hose | 100R1-03, 77" 1/8 MPT X 1/8 MPT |
| LA-140383 | 1 | Extends Hydro Hose | 100R15-16, 79" -16SPFL 90°x -16SPFL STR |
| LA-140403 | 1 | Extends Case Drain | 100R1-12, 74" 12MORSx12FORS |
| LA-273301 | 1 | Extends Reverse Hydro Hose | 100R15-16, 89" -16SPFL 90°x -16SPFL STR |
| LA-293431 | 2 | Leveling Cylinder Cross-over Hose | 100R2-06 47" #8FORS #8FORS 90° |
| LA-295461 | 2 | Connects HIC to Trim Manifold | 100R2-04, 62" 08FORSX04FORS 90° |
| LA-295601 | 2 | Leveling Manifold to Leveling Cyl | 100R2-08, 103" 08FORSx08FORS |
| LA-295741 | 1 | Pressure, Gear Pump to P Port | 100R2-10, 252" 10FORS 90° X 10FORS STR |
| LA-295771 | 1 | Return, Manifold to Filter Inlet | 100R1-12, 22", 12FORS STR X 12FORS 90° |
| LA-295781 | 1 | Return, Filter to Reservoir | 100R1-12, 252" 16FORS STR X 16FORS STR |
| LA-295791 | 1 | Suction, Reservoir to Gear Pump | 100R16-16, 55" 16FORS STR X 20FORS STR |
| LA-295801 | 1 | Replaces Header Lift Hoses | 100R16-12, 86" 12FORS 90X16FORS |
| LA-295882 | 2 | Connects Master Cyl to Slave Cyl | 100R2-06 X 195", -06FF STR x -06FF STR |
| LA-295912 | 1 | Connects Trim Manifold to Master Cyl Rod Tee | 100R2-04 120", 06FF STR X 04FF STR |
| LA-295922 | 1 | Connects Trim Manifold to Master Cyl Base Tee | 100R2-04 129", -6FF STR X -4FF STR |
| LA-296021 | 1 | Replaces Header Lift Hoses | 100R2-08, 49" -8MORS STR X -8FORS 90° |
| LA-296901 | 1 | Extends Parking Brake Hose | 100R2-8, 36", -8FORS X -8MORS |

Model JS7010 Hillco Leveling System
For Serial Numbers JS7010-12001 thru JS7010-12999

| Pro Drive Transmission Hydraulic Hoses | | | |
|--|-----|---|---|
| Part No | Qty | Description | Hose Specs |
| LA-138942 | 1 | Grease Hose | 100R1-03, 33-1/2" 1/8 MPT X 1/8 MPT |
| LA-138951 | 1 | Grease Hose | 100R1-03, 40" 1/8 MPT X 1/8 MPT |
| LA-138963 | 1 | Grease Hose | 100R1-03, 54" 1/8 MPT X 1/8 MPT |
| LA-138974 | 2 | Grease Hose | 100R1-03, 77" 1/8 MPT X 1/8 MPT |
| LA-273461 | 2 | Extends Steer Hoses | 3/8" R2 #8FF#8MF 15" |
| LA-273462 | 2 | Filter head; Front & Side Port to Valve Block Ports | 100R2-08 62", #10FF x #8FF 90° |
| LA-274111 | 1 | Extends Case Drain | 100R1-12 24", -16MF STR X -16 FF STR |
| LA-274162 | 1 | Replaces AH223259; connects proportionator case drain to trasmission | 100R2-06 32" #6FORS X #8FORS 90° |
| LA-276631 | 1 | Extends Rear Hydrostat Line | 100R15-16 128", 90° CODE 62 x STR CODE 62 |
| LA-276641 | 1 | Extents Forward Hydrostat Line | 100R15-16 128", 90° CODE 62 x STR CODE 62 |
| LA-293431 | 2 | Leveling Cylinder Cross-over Hose | 100R2-06 47" #8FORS #8FORS 90° |
| LA-295461 | 2 | Connects HIC to Trim Manifold | 100R2-04, 62" 08FORSX04FORS 90° |
| LA-295601 | 2 | Leveling Manifold to Leveling Cyl | 100R2-08, 103" 08FORSx08FORS |
| LA-295741 | 1 | Pressure, Gear Pump to P Port | 100R2-10, 252" 10FORS 90° X 10FORS STR |
| LA-295771 | 1 | Return, Manifold to Filter Inlet | 100R1-12, 22", 12FORS STR X 12FORS 90° |
| LA-295781 | 1 | Return, Filter to Reservoir | 100R1-12, 252" 16FORS STR X 16FORS STR |
| LA-295791 | 1 | Suction, Reservoir to Gear Pump | 100R16-16, 55" 16FORS STR X 20FORS STR |
| LA-295801 | 1 | Replaces Header Lift Hoses | 100R16-12, 86" 12FORS 90X16FORS |
| LA-295882 | 2 | Connects Master Cyl to Slave Cyl | 100R2-06 X 195" -.06FF STR x -06FF STR |
| LA-295912 | 1 | Connects Trim Manifold to Master Cyl Rod Tee | 100R2-04 120", 06FF STR X 04FF STR |
| LA-295922 | 1 | Connects Trim Manifold to Master Cyl Base Tee | 100R2-04 129", -6FF STR X -4FF STR |
| LA-296021 | 1 | Replaces John Deere Header Lift Hose | 100R2-08, 49" -8MORS STR X -8FORS 90° |
| LA-297421 | 1 | Extends AH226084 to Proportionator Motor Supply | 100R2-10 66", -10FF 90° x -10MF STR |
| LA-297441 | 1 | Extends AH226085 to Proportionator Pump Supply | 100R1-12 66", -12FF 90° x -12MF STR |
| LA-297451 | 1 | Replaces AH219243; Connects Rear Filter Port to Proportionator Motor Return | 100R2-10 147", -10FF STR x -10FF 90° |
| LA-297481 | 1 | Extends AH226119 to the Trans Lube | 100R2-06 31", -6FF 90° x -6MF STR |
| LA-297641 | 1 | Extends Right Brake Hose | 100R2-06 78", -06MF STR x -06FF 90° |
| LA-297651 | 1 | Extends Left Brake Line; Extends Lube Line | 100R2-06 60", -06MF STR x -06FF STR |
| LA-299191 | 1 | Extends JD Hose to Shift Block | 100R2-04 15", -6FF 90° X -6MF STR |
| LA-300622 | 2 | Extends Header Lift Hoses | 100R16-10 48", -12FF STR x -08FF STR |

Model JS7010 Hillco Leveling System
For Serial Numbers JS7010-12001 thru JS7010-12999

RETRACTABLE LADDER

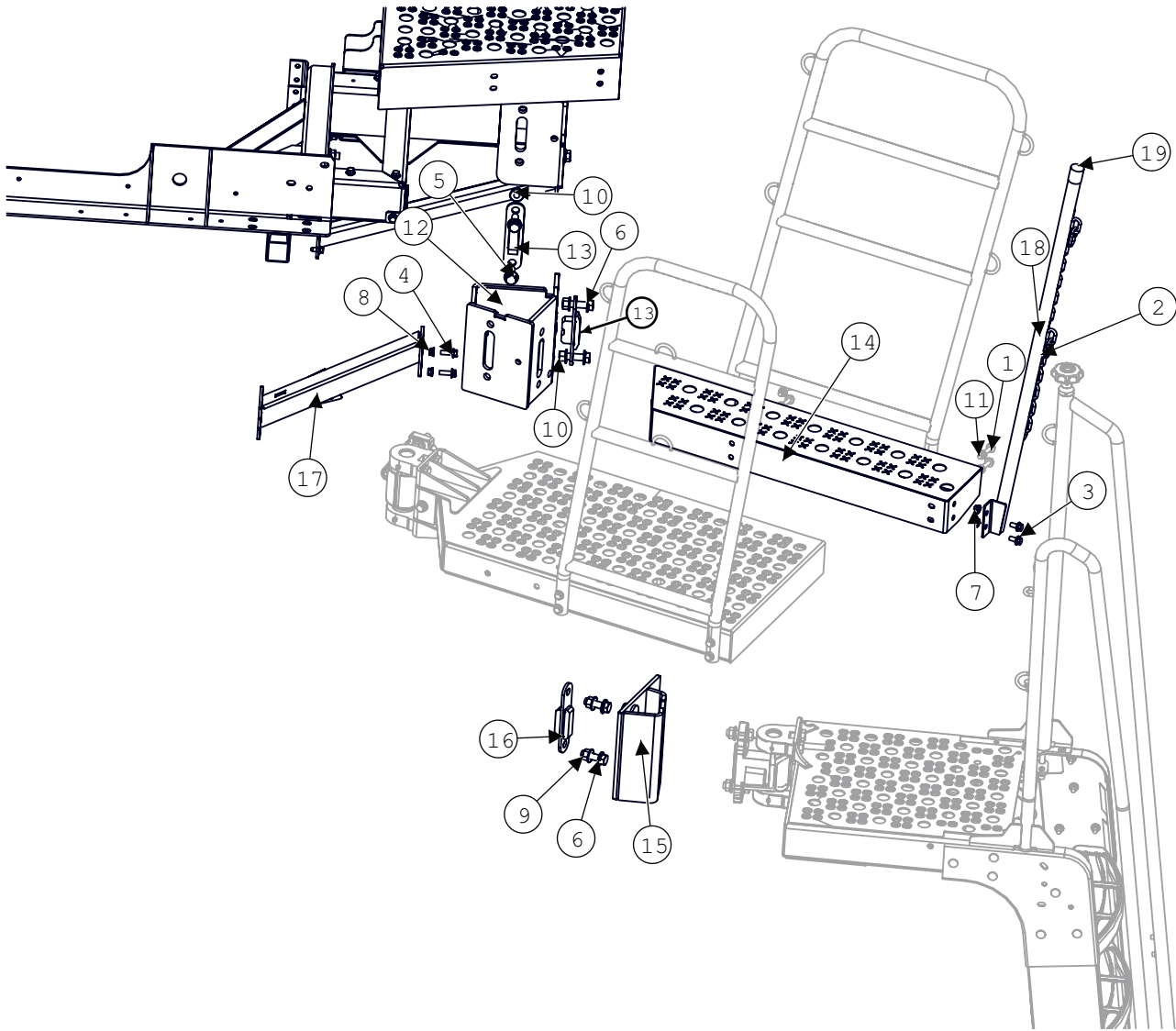


Model JS7010 Hillco Leveling System
For Serial Numbers JS7010-12001 thru JS7010-12999

| Retractable Ladder | | | |
|---------------------------|-----------------|------------|-----------------------------------|
| BOM ID | Part No. | Qty | Description |
| 1 | F-HCF-10M020E | 4 | FLHC-10.9M10X20 |
| 2 | F-HCF-10M050E | 4 | SCREW, FLANGED HEX CAP |
| 3 | F-HCF-12M025E | 2 | FLHC-10.9M12X1.75X25 |
| 4 | F-HCF-12M045E | 2 | FLHC-10.9M12X1.75X45 |
| 5 | F-HCF-12M30E | 4 | FLHC-10.9 M12X1.75X30 |
| 6 | F-HNF-05C | 2 | FLHN 5/16-18 |
| 7 | F-HNFS-10ME | 8 | FLHN-10.9M10X1.5 STVR |
| 8 | F-HNFS-12ME | 6 | FLHN-10.9M12X1.75 STVR |
| 9 | F-KST-03X03X16 | 2 | KEY, STR, 3/16 X 3/16 X 1 |
| 10 | F-LW-05 | 2 | LOCK WASHER 5/16" |
| 11 | F-MB-14NR08 | 4 | MACHINE BUSHING 14GA NR 1/2ID |
| 12 | F-MB-14WR12 | 6 | MACHINE BUSHING 14GA WR 3/4ID |
| 13 | LB-298181 | 2 | LM PLT, LADDER HANDLE |
| 14 | LB-298221 | 1 | LM PLT, RIGHT LADDER HANDLE |
| 15 | LM-298131 | 2 | LM WLD, LFT LADDER MNT |
| 16 | LM-298171 | 2 | LM PLT, LOWER CONTROL LINK |
| 17 | LM-298191 | 1 | LM RND, ROCK SHAFT |
| 18 | LM-298211 | 2 | LM WLD, RHT LADDER MNT |
| 19 | LM-299071 | 2 | LM SPACER, LADDER STEP |
| 20 | LM-299181 | 7 | LM BUSHING, LADDER PIVOT |
| 21 | LW-298251 | 2 | LM WLD, UPPER CONTROL LINK |
| 22 | LW-298271 | 2 | LM ASM, UPPER CONTROL LINK, RIGHT |
| 23 | MC-134931 | 4 | LIFT SUPPORT BRACKETS (PAIR) |
| 24 | MC-139251 | 3 | GAS CHARGED LIFT SUPPORT |
| 25 | MC-151921 | 2 | GRIP, JD#W25634 |

Model JS7010 Hillco Leveling System
For Serial Numbers JS7010-12001 thru JS7010-12999

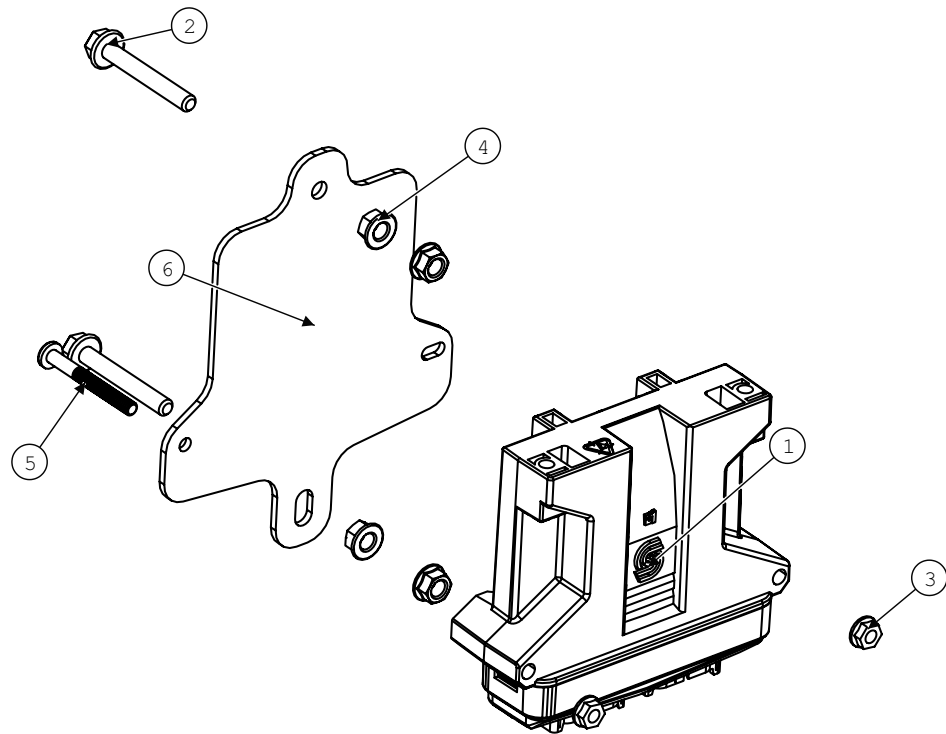
Ladder Wedge



Model JS7010 Hillco Leveling System
For Serial Numbers JS7010-12001 thru JS7010-12999

| Ladder Wedge | | | |
|---------------------|--------------------|------------|----------------------------------|
| BOM ID | Part No. | Qty | Description |
| 1 | 19M7807 | 4 | FLHC 10.9 M10 X 1.5 X 60 |
| 2 | CHAIN, SAFETY LINK | 24 | CHAIN, SAFETY LINK |
| 3 | F-HCF-10M020E | 2 | FLHC-10.9M10X20 |
| 4 | F-HCF-10M030E | 2 | FLHC 10.9 M10 X 1.5 X 30 |
| 5 | F-HCF-16M040E | 2 | FLHC-10.9 M16X2.00X040 |
| 6 | F-HCF-16M050E | 4 | FLHC-10.9 M16X2.00X050 |
| 7 | F-HNF-10ME | 2 | FLHN-10.9 M10 X 1.50 |
| 8 | F-HNFS-10ME | 2 | FLHN-10.9M10X1.5 STVR |
| 9 | F-HNFS-16ME | 2 | FLHN-10.9M16X2.00 STV |
| 10 | F-HNSF-16ME | 4 | FLHN-10.9M16X2.00 STV |
| 11 | H135891 | 4 | FLHN-10.9M10 X 1.5 STV |
| 12 | LW-293991 | 1 | LM WLD, LADDER MOUNT |
| 13 | LW-294071 | 2 | LM WLD, LOCK |
| 14 | LW-294121 | 1 | LM WLD, LADDER WEDGE |
| 15 | LW-294531 | 1 | LM WLD, LADDER MOUNT, DUAL TIRE |
| 16 | LW-294551 | 1 | LM WLD, LOCK, DUAL TIRE LADDER |
| 17 | LW-296081 | 1 | LM WLD, LADDER BRACE |
| 18 | LW-296681 | 1 | LM WLD, HANDRAIL CORNER |
| 19 | MC-151681 | 1 | SHORT CAP, BLK, 1-1/4ID X 1-1/2L |
| 20 | MC-151691 | 4 | QUICK LINK, 1/4" DIA, PLATED |

Controller/Wiring Harnesses



| Electrical Components | | | |
|-----------------------|---------------|-----|---------------------------------|
| BOM ID | Part No. | Qty | Description |
| 1-6 | LA-297671 | 1 | EM ASM, CONTROLLER W/MNT |
| 1 | EC-141831 | 1 | SAUER-DANFOSS PLUS 1 CONTROLLER |
| 2 | F-HCF-08M060E | 2 | FLHC-M08X1.25X60 |
| 3 | F-HNF-04F | 2 | FLHN-GR5 1/4-20 |
| 4 | F-HNF-08ME | 4 | FLHN 10.9 M8 X 1.25 |
| 5 | F-PHM-04C36 | 2 | PHMS-GR5-1/4-20 X 2-1/4" |
| 6 | LP-295201 | 1 | EM PLT, CONTROLLER MNT |

| Wiring Harnesses | | | |
|------------------|-----------|----------------------------------|--|
| BOM ID | Part No. | Description | Purpose |
| NS | LA-294742 | EM HARNESS, PRIMARY | POWER SUPPLY & SENSOR PACKAGE |
| NS | LA-295341 | EM HARNESS, TA SENSOR | TRANSITION TILT SENSOR |
| NS | LA-295181 | EM HARNESS, SENSOR PACKAGE | SENSOR PACKAGE WIRING |
| NS | LA-295151 | EM HARNESS, MANIFOLD CABLE, GEAR | GEAR PUMP MANIFOLD |
| NS | LA-294752 | EM HARNESS, SECONDARY | SIGNALS TO MANIFOLD, TRANSITION SENSOR |

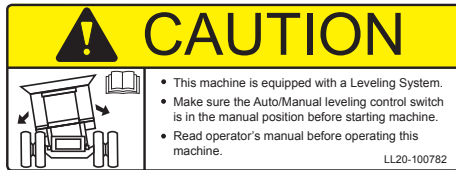
Decals and Literature



1) LL-133741



2) LL-151031



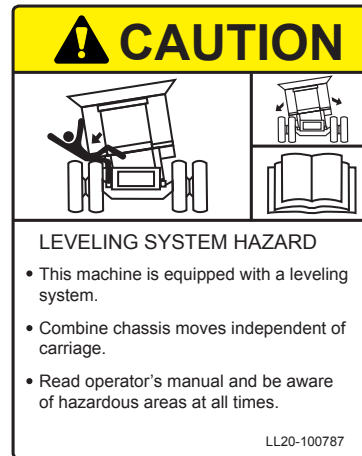
3) LL20-100782



5) LL20-100784



4) LL20-100783



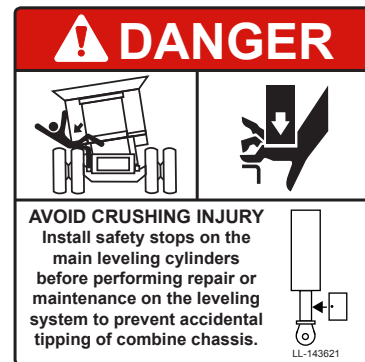
7) LL20-100787



6) LL20-100786



8) LL20-100788



9) LL-143621

Model JS7010 Hillco Leveling System
For Serial Numbers JS7010-12001 thru JS7010-12999

| DECALS AND LITERATURE | | | | |
|-----------------------|----------------|------|------------------------------------|---|
| REF. | PART NO. | QTY. | PART NAME | DESCRIPTION |
| 1 | LL-133741 | 1 | LABEL, GREASE 50 HRS | OC BULKHEAD |
| 1 | LL-133741 | 2 | LABEL, GREASE 50 HRS | RIGHT & LEFT MAIN LEV CYL BOTTOM |
| 1 | LL-133741 | 1 | LABEL, GREASE 50 HRS | MASTER CYLINDER ROD |
| 2 | LL-151031 | 2 | DECAL, SIDEHILL LEVELING SYSTEM | SIDE OF COMBINE |
| 3 | LL20-100782 | 1 | CAUTION LEVELING SYSTEM CAB | WINDOW IN CAB |
| 4 | LL20-100783 | 2 | DANGER, CRUSHING HAZARD | RIGHT & LEFT UNDERCARRIAGE |
| 4 | LL20-100783 | 2 | DANGER, CRUSHING HAZARD | SIDES OF DROP AXLE ASSEMBLY |
| 5 | LL20-100784 | 2 | DECAL, DANGER PINCH POINT | RIGHT & LEFT UPPER TRANS FACE PLT |
| 6 | LL20-100786 | 1 | WARNING ELECTRICAL CRUSHING HAZARD | FRONT OF ELECTRICAL CONTROL BOX |
| 7 | LL20-100787 | 1 | CAUTION - LEVELING SYSTEM HAZARD | ON LADDER PLATFORM |
| 8 | LL20-100788 | 1 | DANGER - HYDRAULIC HAZARD | ON SIDE OF COMBINE ABOVE THE HYDRAULIC MANIFOLD |
| 8 | LL20-100788 | 2 | DANGER - HYDRAULIC HAZARD | FOR EACH LEVELING CYLINDER |
| 9 | LL-143621 | 2 | DANGER, AVOID CRUSHING INJURY | IN AREA NEAR SAFETY STOP STORAGE LOCATION |
| NS | LL-147651 | 1 | LABEL, FEMA MEMBER TAG | NEAR SERIAL NUMBER TAG |
| NS | LA-255961 | 1 | TAG, SERIAL NUMBER | |
| NS | LL-274401 | 1 | LIMIT SWITCH WARNING LABEL | INSTALLED ON 1 LIMIT SWITCH |
| NS | EC-150131 | 1 | DECAL, REMOTE SWITCH BOX | |
| NS | LL-289641 | 1 | CM LABEL, MECHANICAL CYLINDER STOP | |
| NS | D-120621CMA01A | 1 | MANUAL, PARTS | |
| NS | D-111124CMA01B | 1 | MANUAL, OPERATORS | |
| NS | D-050611SLR01 | 1 | WARRANTY REGISTRATION CARD | |
| NS | LL-239412 | 1 | LABEL, STEERING WHEEL | TIED TO STEERING WHEEL DURING INSTALLATION |
| NS | D-120412CMA01 | 3 | DEALER PDI & INSTALL CHECKLIST | |

Model JS7010 Hillco Leveling System
For Serial Numbers JS7010-12001 thru JS7010-12999

Notes

Hillco Technologies, Inc.
107 1st Avenue
Nezperce, Idaho 83543

| | |
|-------|--------------|
| Phone | 800-937-2461 |
| | 208-937-2461 |
| Fax | 208-937-2280 |

www.hillcotechnologies.com
email: support@hillcotechnologies.com