

Model HC1010 48', 60', 72', & 84' 16 Bar Harrow & Cart Parts Manual

SN HC1010-18001 thru HC1010-19999

D-180315CMA01B

Table of Contents

| | |
|--|-----------|
| General Information | 3 |
| Serial Number Location | 3 |
| Text and Illustrations | 3 |
| Abbreviations | 3 |
| Right and left Identification | 3 |
| Part Orders | 3 |
| Hitch | 4 |
| Center Frame - Wheels | 5 |
| Wing Pull Latches | 6 |
| Left Wing Pull Latch | 6 |
| Right Wing Pull Latch | 8 |
| Center Beam | 10 |
| Wing Crosses | 12 |
| Left Wing Cross | 12 |
| Right Wing Cross | 13 |
| Wing Pull Pivot | 14 |
| Left Pull Pivot | 14 |
| Right Pull Pivot | 15 |
| Wing Wheels | 16 |
| Left Wing Wheel | 16 |
| Right Wing Wheel | 18 |
| Wing Extension | 20 |
| Frame, Wings and Pulls | 21 |
| 48' & 60' | 21 |
| 72' & 84' | 22 |
| Harrow Hangers & Pulls | 23 |
| Lift Tubes | 24 |
| Harrow | 25 |
| Sections | 25 |
| Harrow Bars | 26 |
| Connecting Links and Spikes | 27 |
| Harrow Hanger Connectors | 28 |
| Hydraulics - Wing Up | 29 |
| Hydraulics - Pivoting Wing Wheels | 30 |
| Electrical | 31 |
| Decals | 32 |

Contact Information

Hillco Technologies, Inc.
1010 1st Avenue
Nezperce, Idaho 83543

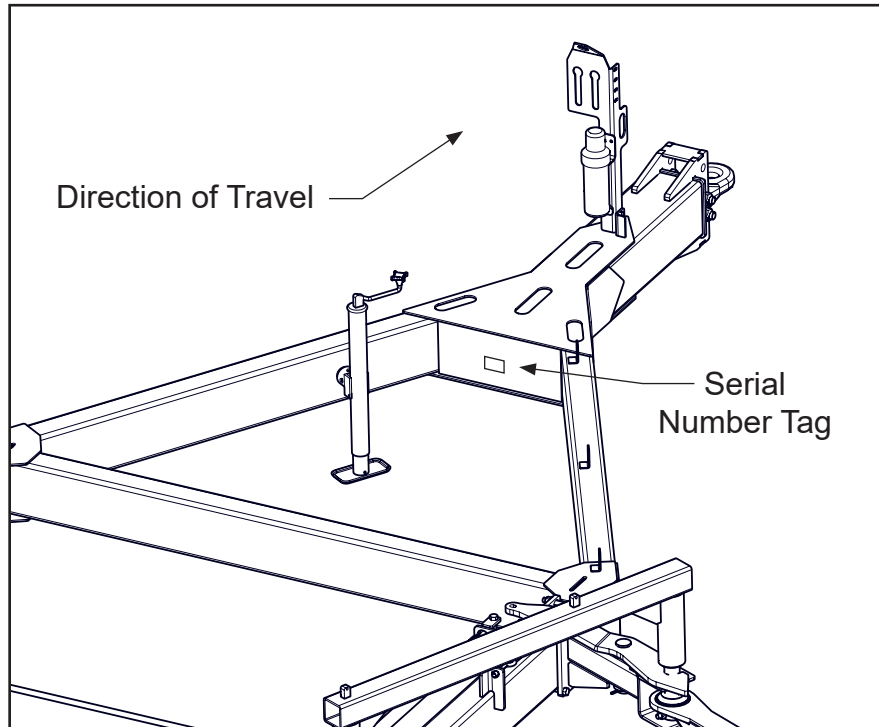
www.hillcotechnologies.com

email: support@hillcotechnologies.com

Phone 800-937-2461
208-937-2461
Fax 208-937-2280

GENERAL INFORMATION

SERIAL NUMBER LOCATION



TEXT AND ILLUSTRATIONS

The arrangement of this parts catalog is for easy identification of parts. All parts are illustrated in exploded views in proper relation to each other. Some diagrams refer to other pages for further information. Reference numbers used in the illustrations refer to line numbers in the part lists. The part lists appear to the right or below all diagrams and correspond with those diagrams. Included in the part lists, along with the reference numbers are part numbers, part descriptions and the quantity of the part required per leveling system.

ABBREVIATIONS

SN "Serial Number" refers to the serial number given to each leveling system (by Hillco Technologies), as well as the serial number given to the combine (by the specific combine manufacturer) the leveling system is installed. See above for the leveling system's serial number location. This abbreviation is used interchangeably in both instances. Each Model HC1010 Leveling System uses the following serial number format: HC1010-XXXXX (sequential numbers).

ASM "Assembly" refers to a whole grouping of parts (shown in the diagram corresponding with the page where "ASM" is shown unless otherwise noted). Some assemblies have parts that are sold separately, however some must be purchased as a single unit. Hillco Product Specialists will be able to assist you with any questions.

NS "Not Shown" refers to a part that is not depicted in the illustration.

RIGHT AND LEFT IDENTIFICATION

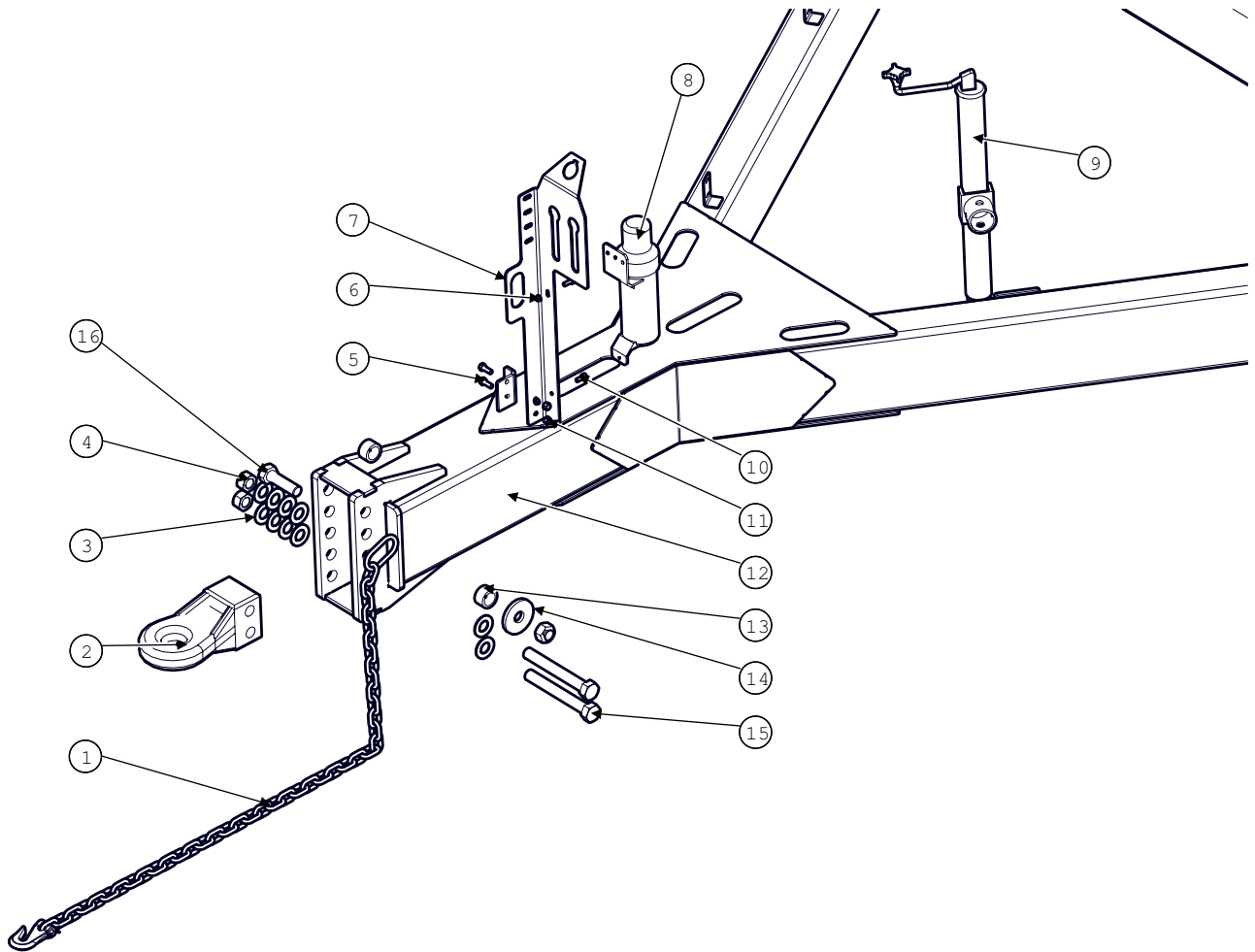
The reference to right-hand and left-hand in this catalog is identified by the operator sitting in the operator's seat, looking toward the front of the machine (in normal forward travel).

PART ORDERS

Orders must specify product model, serial number, correct part number, complete description, quantity required, method of shipment, shipping address, and billing address.

Model HC1010 16 Bar Harrow & Cart
For Serial Numbers HC1010-18001 thru HC1010-19999

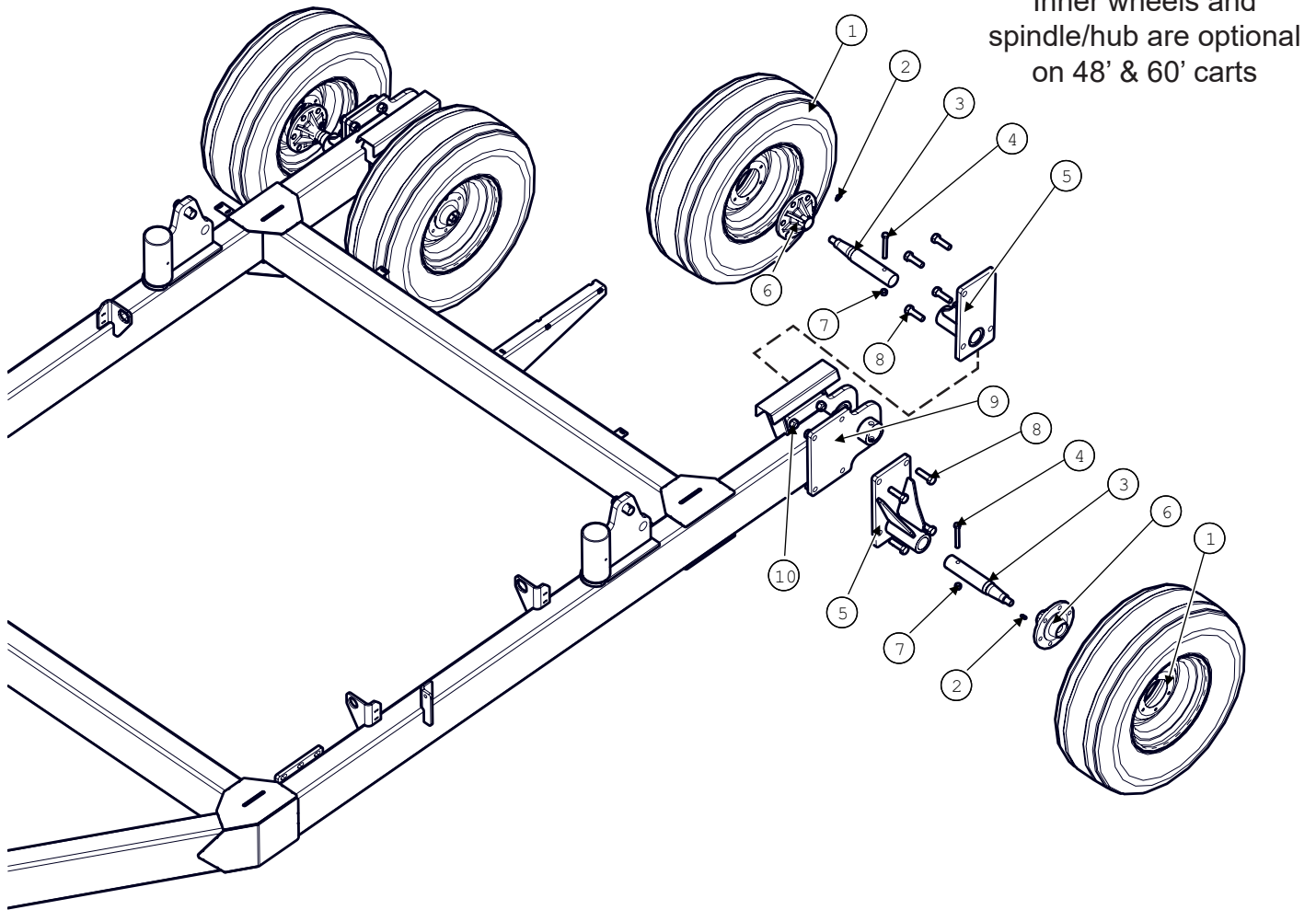
Hitch



| BOM ID | Part No. | Qty | Description |
|--------|----------------|-----|--|
| 1 | 155670 | 1 | CHAIN, AG TRAILER, 3/8 X 64, GRADE 70, |
| 2 | 155661 | 1 | HITCH, IMPLEMENT, CAT4, |
| 3 | 133.016 | 10 | WASHER,L9,HD 1" |
| 4 | 188.016 | 3 | NUT,HX,STV,GR8 1" -8 |
| 5 | 102.006.016 | 2 | BOLT,HX,GR8 3/8 "-16 X 1" |
| 6 | 119.005 | 2 | NUT,HX,FL,SERR 5/16" -18 |
| 7 | 1340242 | 1 | HOSE STOW |
| 8 | 155755 | 1 | MANUAL CANISTER, 12" X 3-1/4" |
| 9 | 155297 | 1 | JACK, SWIVEL, 5000LBS |
| 10 | 102.005.012 | 2 | BOLT,HX,GR8 5/16" -18 X 3/4" |
| 11 | 188.006 | 2 | NUT,HX,STV,GR8 3/8"-16 |
| 12 | 1348611 | 1 | CART FRAME (48' & 60') |
| 12 | 1338892 | 1 | CART FRAME (72' & 84') |
| 13 | 10160.04.00018 | 1 | TM,A513,DOM 1-3/4OD X 1/4W X 1-1/8 |
| 14 | 1340441 | 1 | RETAINER WASHER, SAFETY CHAIN |
| 15 | 102.016.144 | 2 | BOLT,HX,GR8 1"-8 X 9" |
| 16 | 102.016.056 | 1 | BOLT,HX,GR8 1" -8 X 3-1/2" |

Model HC1010 16 Bar Harrow & Cart
For Serial Numbers HC1010-18001 thru HC1010-19999

Center Frame - Wheels

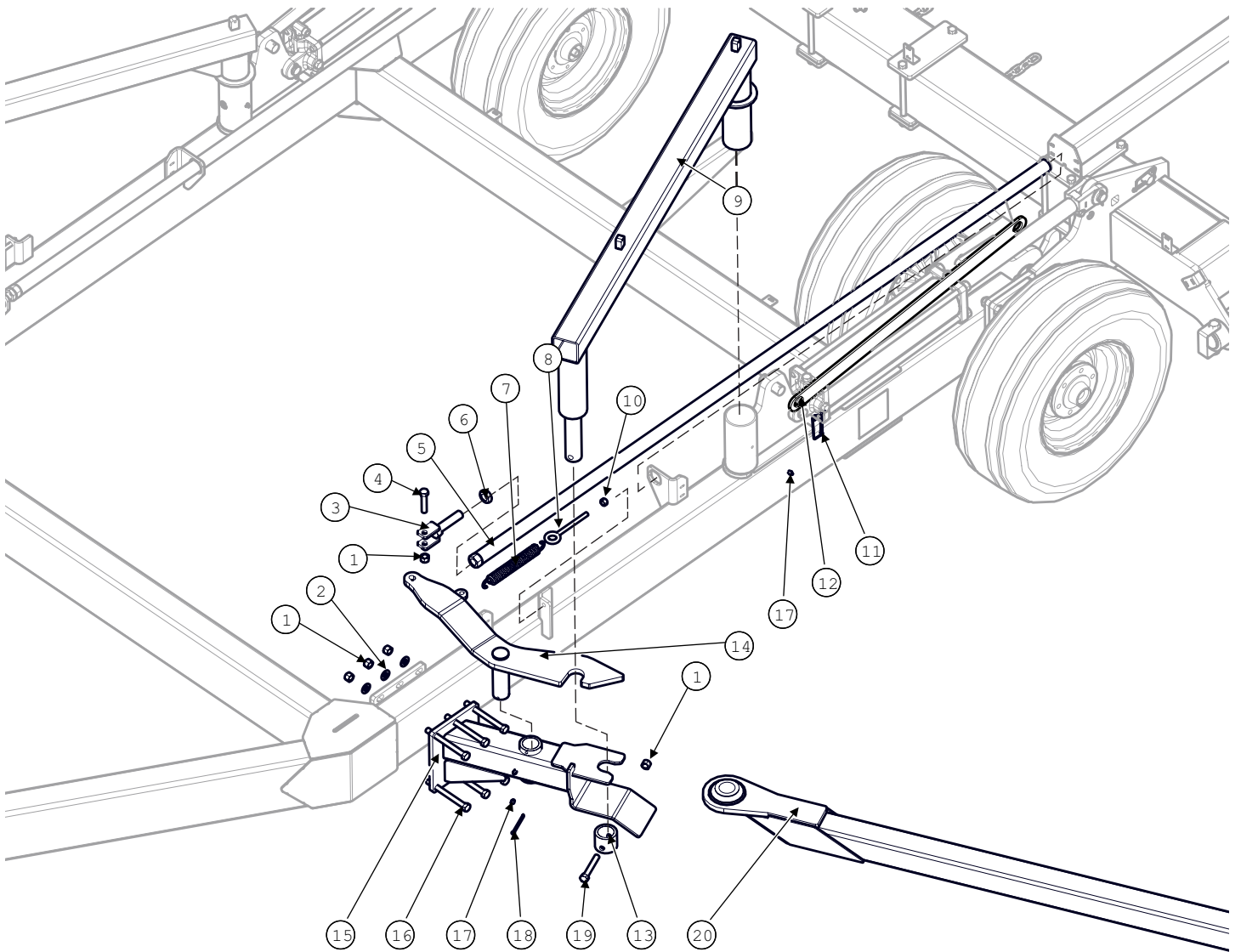


Center section left hand wheels shown. Same parts for right hand center wheels.

| BOM ID | Part No. | Qty | Description |
|--------|-------------------|-----|---|
| 1 | 155736 | 2-4 | STANDARD 11L-15SL, 12-PLY, I1 W/ 15X8, |
| 1 | 155657 | 2-4 | OPTIONAL FIRESTONE IF280/70R15, 128A8, AD2 W/ 15X8, |
| 2 | 138591 | 4 | ZERK, GREASE 1/8 MPT 90 DEG |
| 3 | 1340321 | 4 | SPINDLE |
| 4 | 102.008.064 | 4 | BOLT,HX,GR8 1/2-13X4 |
| 5 | 1339421 | 4 | SPINDLE MOUNT, CART |
| 6 | 153041 | 4 | HUB, WHEEL |
| *NS | LM501310 (Timken) | 4 | Inner Cup (Race) |
| *NS | LM501349 (Timken) | 4 | Inner Cone (Bearing) |
| *NS | LM67010 (Timken) | 4 | Outer Cup (Race) |
| *NS | LM67048 (Timken) | 4 | Outer Cone (Bearing) |
| *NS | 18823 (CR/SKF) | 4 | Seal |
| 7 | 188.008 | 4 | NUT,HX,STV,GR8 1/2 |
| 8 | 102.012.040 | 16 | BOLT,HX,GR8 3/4" -10 X 2-1/2" |
| 9 | 1348611 | 1 | CART FRAME (48' & 60') |
| 9 | 1338892 | 1 | CART FRAME (72' & 84') |
| 10 | 188.012 | 16 | NUT,HX,STV,GR8 3/4" |

Model HC1010 16 Bar Harrow & Cart
For Serial Numbers HC1010-18001 thru HC1010-19999

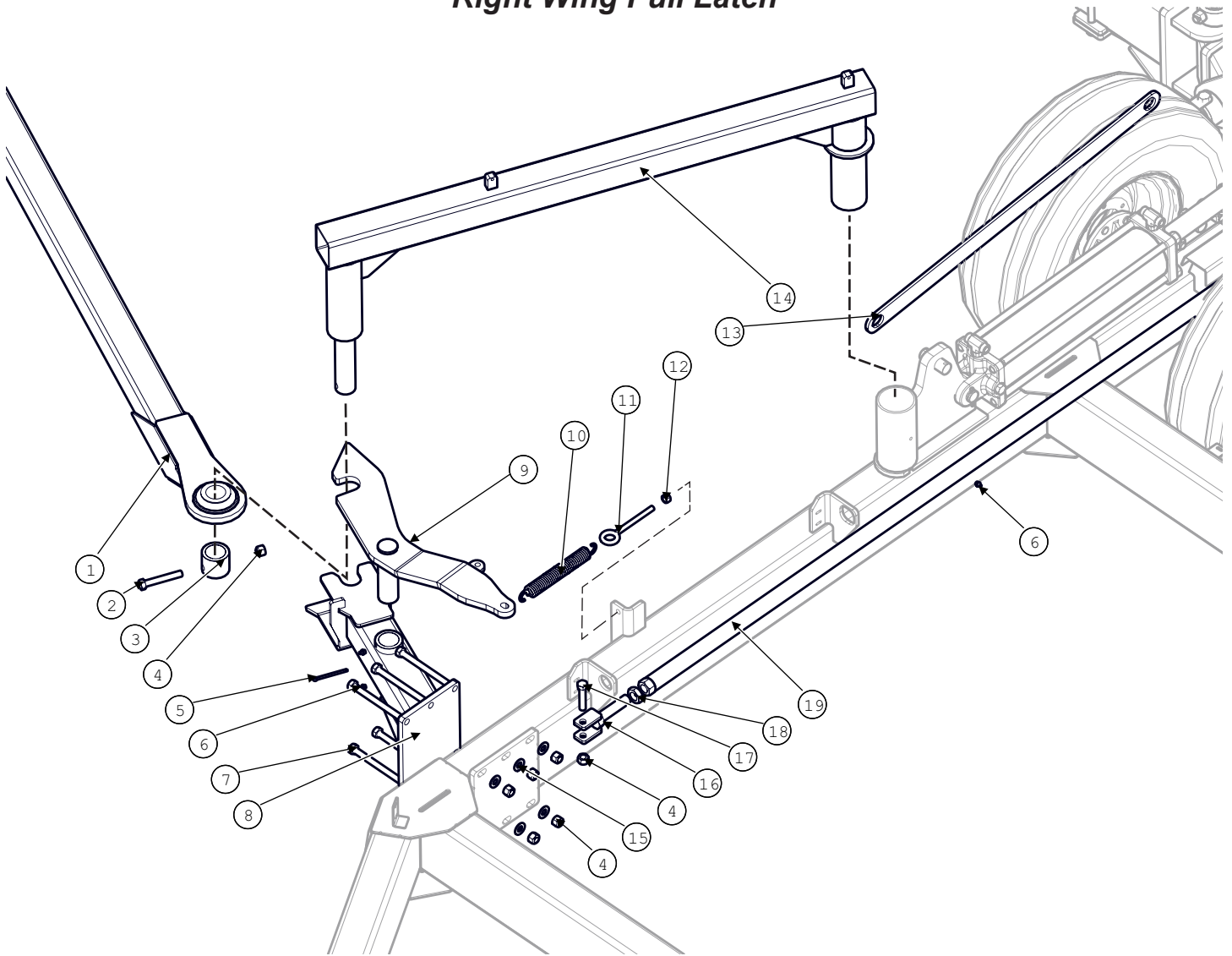
Left Wing Pull Latch



Model HC1010 16 Bar Harrow & Cart
For Serial Numbers HC1010-18001 thru HC1010-19999

| BOM ID | Part No. | Qty | Description |
|--------|-------------|-----|--|
| 1 | 188.010 | 8 | NUT,HX,STV,GR8 5/8 |
| 2 | 133.010 | 6 | WASHER,L9,HD 5/8 |
| 3 | 1344191 | 1 | CLEVIS, PUSHROD |
| 4 | 102.010.048 | 1 | BOLT,HX,GR8 5/8" - 11 X 3" |
| 5 | 1339551 | 1 | PUSHROD, LATCH RELEASE |
| 6 | 174.016 | 1 | NUT,HX,JAM,GR5 1-8 |
| 7 | 155730 | 1 | SPRING, EXTENSION, 1.312"OD, .225" WIRE DIA, 10.3" FREE LENGTH |
| 8 | 110.008.080 | 1 | BOLT,EYE 1/2" -13 X 5" |
| 9 | 1338851 | 1 | SUPPORT ARM |
| 10 | 188.008 | 1 | NUT,HX,STV,GR8 1/2 |
| 11 | 146.004.048 | 1 | PIN,SNAP,LCK |
| 12 | 1338901 | 1 | SAFETY STRAP |
| 13 | 1339312 | 1 | COLLAR, LATCH PIN |
| 14 | 1344241 | 1 | LATCH PLATE, LEFT |
| 15 | 1344431 | 1 | LATCH MOUNT, LEFT |
| 16 | 102.010.104 | 6 | BOLT,HX,GR8 5/8" -11 X 6-1/2" |
| 17 | 133891 | 3 | ZERK, GREASE, 1/8 |
| 18 | 142.004.048 | 1 | COTTER KEY 1/4" x 3" |
| 19 | 102.010.064 | 1 | BOLT,HX,GR8 5/8" -11 X 4" |
| 20 | 1339611 | 1 | PULL ARM (72' & 84') |
| 20 | 1348641 | 1 | PULL ARM (48' & 60') |

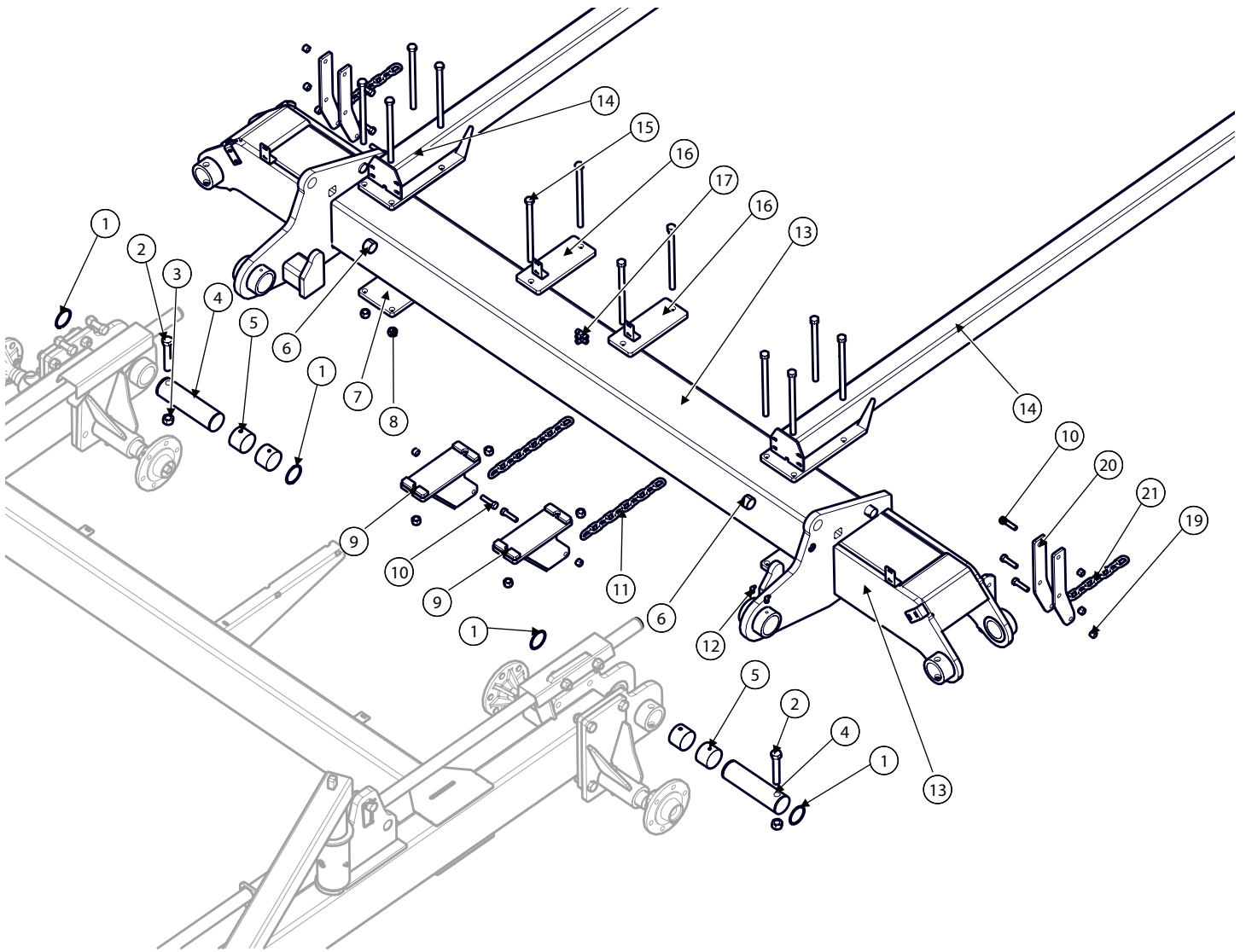
Right Wing Pull Latch



Model HC1010 16 Bar Harrow & Cart
For Serial Numbers HC1010-18001 thru HC1010-19999

| BOM ID | Part No. | Qty | Description |
|--------|-------------|-----|--|
| 1 | 1339611 | 1 | PULL ARM (72' & 84') |
| 1 | 1348641 | 1 | PULL ARM (48' & 60') |
| 2 | 102.010.064 | 1 | BOLT,HX,GR8 5/8" -11 X 4" |
| 3 | 1339312 | 1 | COLLAR, LATCH PIN |
| 4 | 188.010 | 8 | NUT,HX,STV,GR8 5/8 |
| 5 | 142.004.048 | 1 | COTTER KEY 1/4" x 3" |
| 6 | 133891 | 3 | ZERK, GREASE, 1/8 |
| 7 | 102.010.104 | 6 | BOLT,HX,GR8 5/8" -11 X 6-1/2" |
| 8 | 1344441 | 1 | LATCH MOUNT, RIGHT |
| 9 | 1344211 | 1 | LATCH PLATE, RIGHT |
| 10 | 155730 | 1 | SPRING, EXTENSION, 1.312"OD, .225" WIRE DIA, 10.3" FREE LENGTH |
| 11 | 110.008.080 | 1 | BOLT,EYE 1/2" -13 X 5" |
| 12 | 188.008 | 1 | NUT,HX,STV,GR8 1/2 |
| 13 | 1338901 | 1 | SAFETY STRAP |
| 14 | 1338851 | 1 | SUPPORT ARM |
| 15 | 133.01 | 6 | WASHER,L9,HD 5/8 |
| 16 | 1344191 | 1 | CLEVIS, PUSHROD |
| 17 | 102.010.048 | 1 | BOLT,HX,GR8 5/8" -11 X 3" |
| 18 | 174.016 | 1 | NUT,HX,JAM,GR5 1-8 |
| 19 | 1339551 | 1 | PUSHROD, LATCH RELEASE |

Center Beam

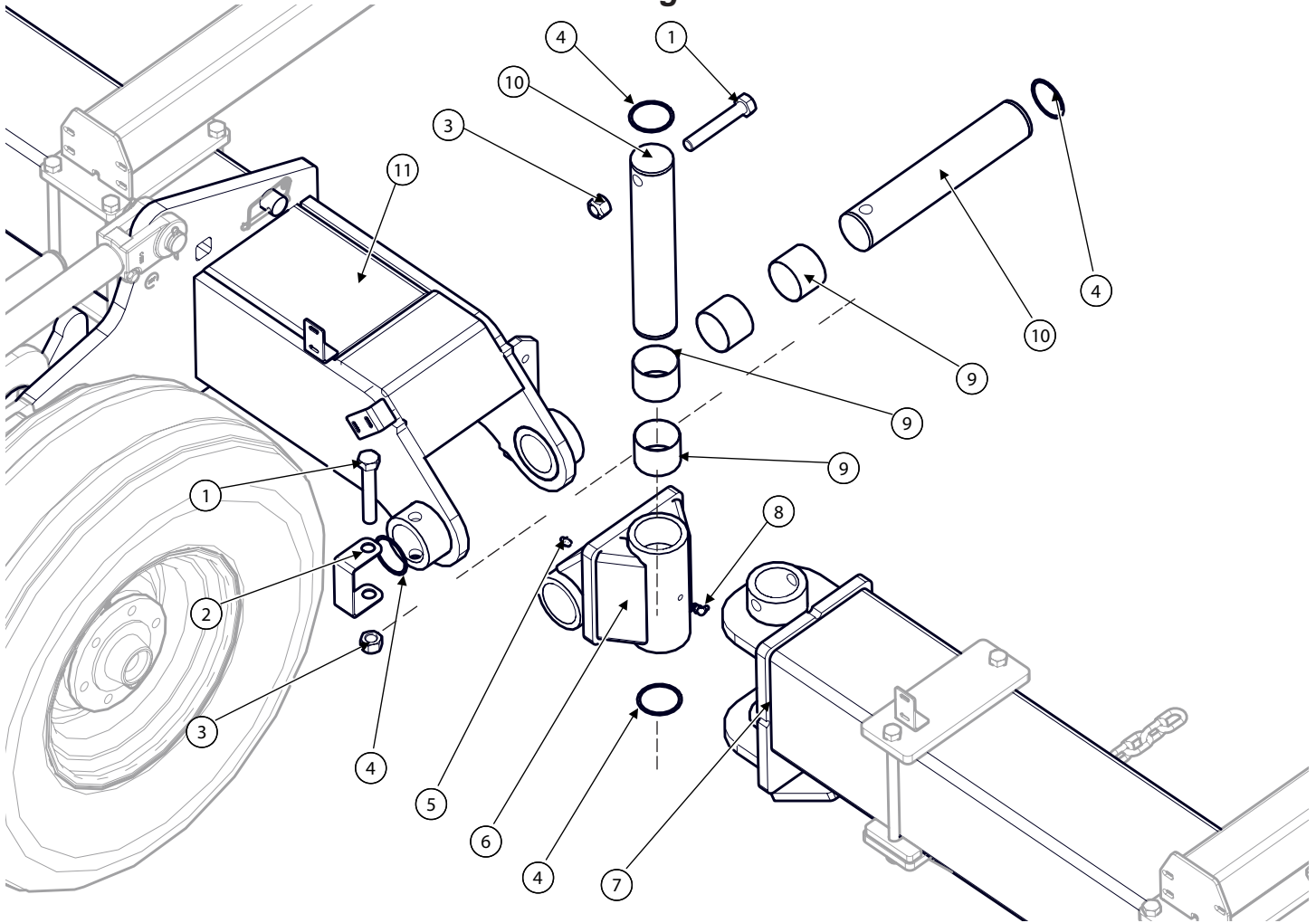


Model HC1010 16 Bar Harrow & Cart
For Serial Numbers HC1010-18001 thru HC1010-19999

| BOM ID | Part No. | Qty | Description |
|--------|-------------|-----|---|
| 1 | 155727 | 5 | RETAINING RING, EXTERNAL, FOR 2-1/2" DIA. SHAFT |
| 2 | 102.012.072 | 2 | BOLT,HX,GR8 3/4" -10 X 4-1/2" |
| 3 | 188.012 | 2 | NUT,HX,STV,GR8 3/4 |
| 4 | 1343981 | 2 | PIVOT PIN, CENTER BEAM |
| 5 | 1347411 | 4 | PIVOT BUSHING, CENTER BEAM |
| 6 | 155664 | 2 | BUSHING, SPLIT TENSION, 1-1/4" ID, |
| 7 | 1338372 | 2 | MOUNT PLATE, |
| 8 | 188.010 | 12 | NUT,HX,STV,GR8 5/8-11 |
| 9 | 1338511 | 2 | HARROW PULL |
| 10 | 102.008.032 | 8 | BOLT,HX,GR8 1/2" -13 X 2" |
| 11 | 1340601 | 2 | LIFT CHAIN, 10-LINK |
| 12 | 138591 | 2 | ZERK, GREASE 1/8 MPT 90DEG |
| 13 | 1348621 | 1 | CENTER BEAM (48' & 60') |
| 13 | 1339022 | 1 | CENTER BEAM (72' & 84') |
| 14 | 1338403 | 2 | LIFT ARM |
| 15 | 102.010.160 | 12 | BOLT,HX,GR8 5/8" -11 X 10" |
| 16 | 1339041 | 2 | CLAMP PLATE, |
| 17 | 1018.04 | 2 | UNION -4ORFS |
| 19 | 188.008 | 8 | NUT,HX,STV,GR8 1/2 |
| 20 | 1339632 | 4 | PLATE, HINGE PULL |
| 21 | 1340611 | 2 | PULL CHAIN, 8-LINK |

Model HC1010 16 Bar Harrow & Cart
 For Serial Numbers HC1010-18001 thru HC1010-19999

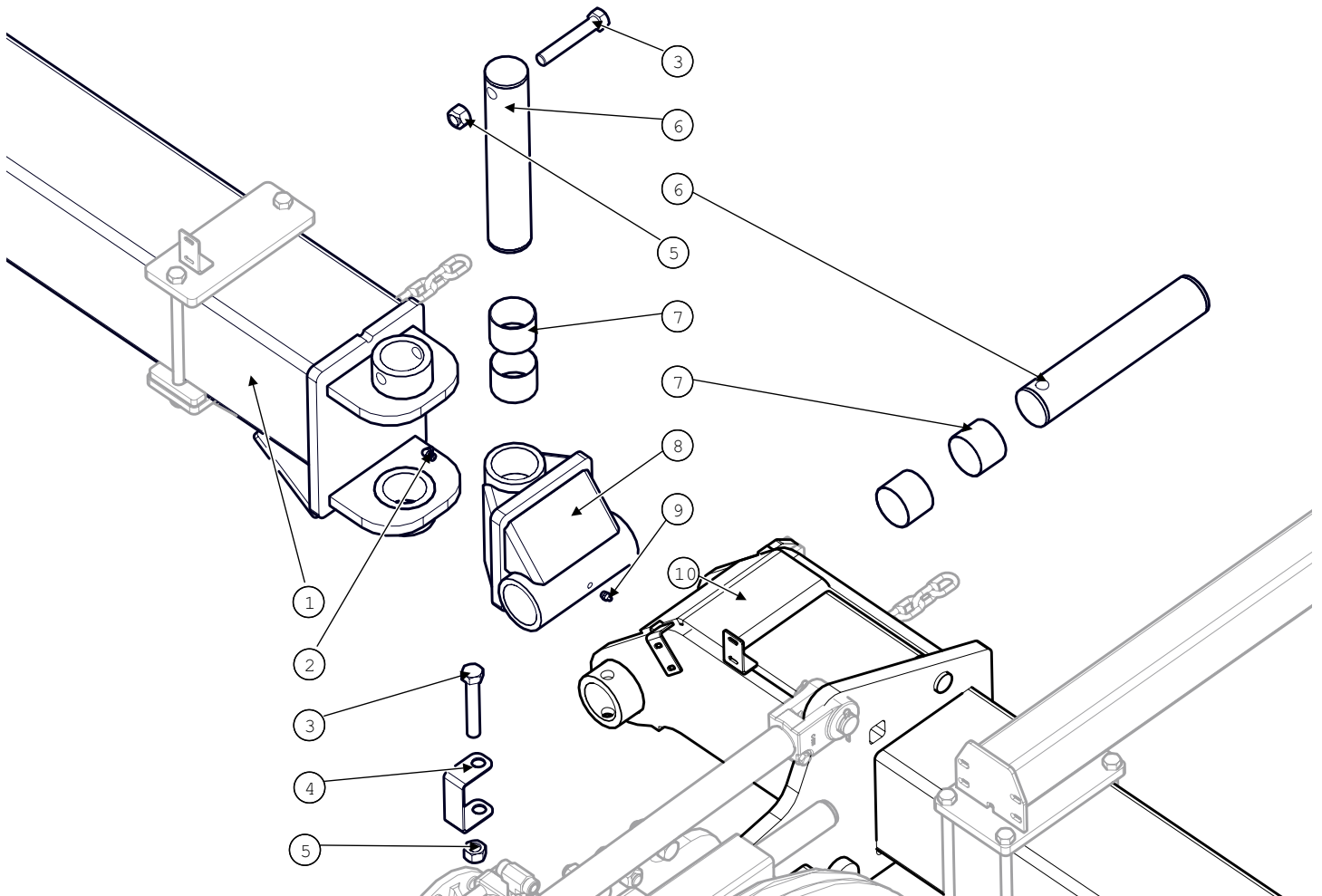
Left Wing Cross



| BOM ID | Part No. | Qty | Description |
|--------|-------------|-----|---|
| 1 | 102.012.072 | 2 | BOLT,HX,GR8 3/4" -10 X 4-1/2" |
| 2 | 1340662 | 1 | HOSE GUIDE, |
| 3 | 188.012 | 2 | NUT,HX,STV,GR8 3/4 |
| 4 | 155727 | 4 | RETAINING RING, EXTERNAL, FOR 2-1/2" DIA. SHAFT |
| 5 | 133891 | 1 | ZERK, GREASE, 1/8 |
| 6 | 1339501 | 1 | CROSS (SN 18001-19004) |
| 6 | 1353231 | 1 | CROSS (SN 19005-) |
| 7 | 1349301 | 1 | WING TUBE 48' (SN 18001-19004) |
| 7 | 1353311 | 1 | WING TUBE 48' (SN 19005-) |
| 7 | 1348631 | 1 | WING TUBE 60' (SN 18001-19004) |
| 7 | 1353321 | 1 | WING TUBE 60' (SN 19005-) |
| 7 | 1339522 | 1 | WING TUBE 72 & 84' (SN 18001-19004) |
| 7 | 1353331 | 1 | WING TUBE 72 & 84' (SN 19005-) |
| 8 | 138591 | 1 | ZERK, GREASE 1/8 MPT 90DEG |
| 9 | 155658 | 4 | BUSHING, IGLIDE Q, 2-1/2" SHAFT, |
| 10 | 1343971 | 2 | PIVOT PIN, HINGE |
| 11 | 1348621 | 1 | CENTER BEAM (48' & 60') |
| 11 | 1339022 | 1 | CENTER BEAM (72' & 84') |

Model HC1010 16 Bar Harrow & Cart
 For Serial Numbers HC1010-18001 thru HC1010-19999

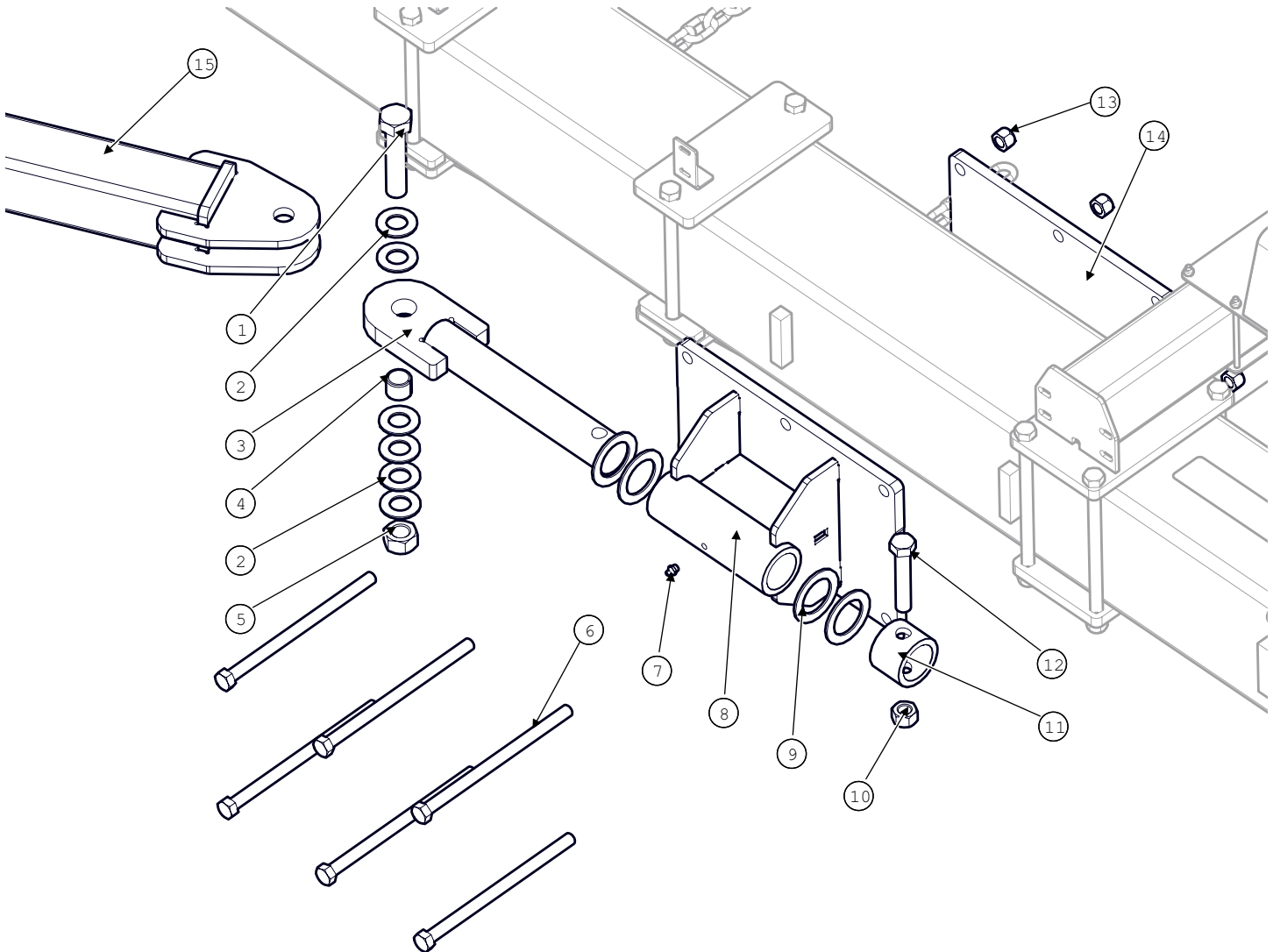
Right Wing Cross



| BOM ID | Part No. | Qty | Description |
|--------|-------------|-----|-------------------------------------|
| 1 | 1349301 | 1 | WING TUBE 48' (SN 18001-19004) |
| 1 | 1353311 | 1 | WING TUBE 48' (SN 19005-) |
| 1 | 1348631 | 1 | WING TUBE 60' (SN 18001-19004) |
| 1 | 1353321 | 1 | WING TUBE 60' (SN 19005-) |
| 1 | 1339522 | 1 | WING TUBE 72 & 84' (SN 18001-19004) |
| 1 | 1353331 | 1 | WING TUBE 72 & 84' (SN 19005-) |
| 2 | 138591 | 1 | ZERK, GREASE 1/8 MPT 90DEG |
| 3 | 102.012.072 | 2 | BOLT,HX,GR8 3/4" -10 X 4-1/2" |
| 4 | 1340662 | 1 | HOSE GUIDE, |
| 5 | 188.012 | 2 | NUT,HX,STV,GR8 3/4 |
| 6 | 1343971 | 2 | PIVOT PIN, HINGE |
| 7 | 155658 | 4 | BUSHING, IGLIDE Q, 2-1/2" SHAFT, |
| 8 | 1339501 | 1 | CROSS (SN 18001-19004) |
| 8 | 1353231 | 1 | CROSS (SN 19005-) |
| 9 | 133891 | 1 | ZERK, GREASE, 1/8 |
| 10 | 1339022 | 1 | CENTER BEAM (48' & 60') |
| 10 | 1348621 | 1 | CENTER BEAM (72' & 84') |

Model HC1010 16 Bar Harrow & Cart
 For Serial Numbers HC1010-18001 thru HC1010-19999

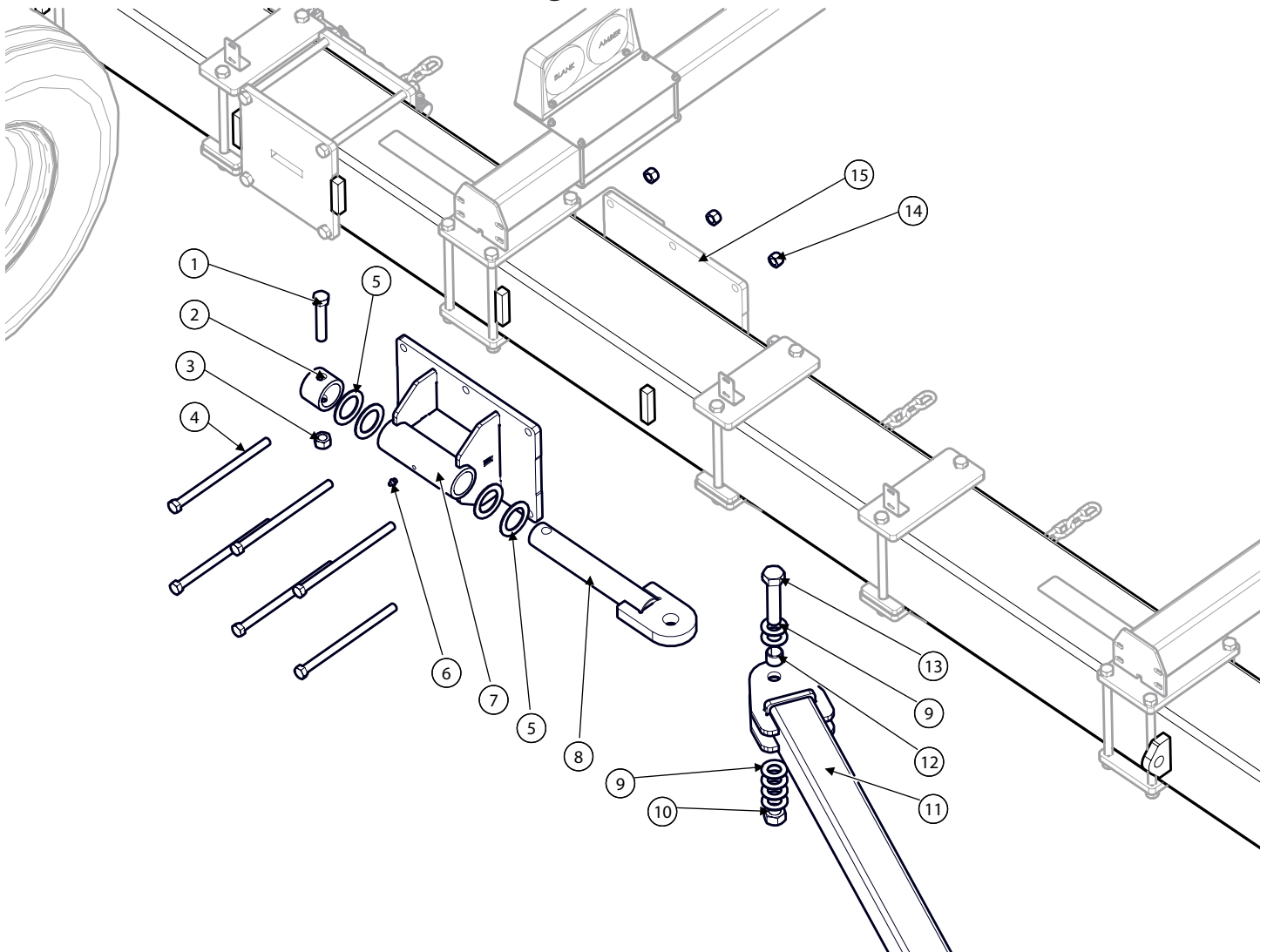
Left Pull Pivot



| BOM ID | Part No. | Qty | Description |
|--------|-------------|-----|-------------------------------|
| 1 | 102.016.088 | 1 | BOLT,HX,GR8 1" -8 X 5-1/2" |
| 2 | 133.016 | 6 | WASHER,L9,HD 1 |
| 3 | 1339142 | 1 | PIN, PULL ARM |
| 4 | 155663 | 1 | BUSHING, SPLIT TENSION, 1"ID, |
| 5 | 188.016 | 1 | NUT,HX,STV,GR8 1-8 |
| 6 | 102.010.160 | 6 | BOLT,HX,GR8 5/8-11X10 |
| 7 | 133891 | 1 | ZERK, GREASE, 1/8 |
| 8 | 1339252 | 1 | GUIDE, PULL PIN |
| 9 | 162.010.032 | 4 | BUSHING, MACH, NR, 10GA, 2 ID |
| 10 | 188.012 | 1 | NUT,HX,STV,GR8 3/4 |
| 11 | 1339261 | 1 | COLLAR, PULL PIN |
| 12 | 102.012.064 | 1 | BOLT,HX,GR8 3/4" -10 X 4" |
| 13 | 188.010 | 6 | NUT,HX,STV,GR8 5/8-11 |
| 14 | 1339191 | 1 | BASE PLATE, CYLINDER MOUNT |
| 15 | 1339611 | 1 | PULL ARM (72' & 84') |
| 15 | 1348641 | 1 | PULL ARM (48' & 60') |

Model HC1010 16 Bar Harrow & Cart
 For Serial Numbers HC1010-18001 thru HC1010-19999

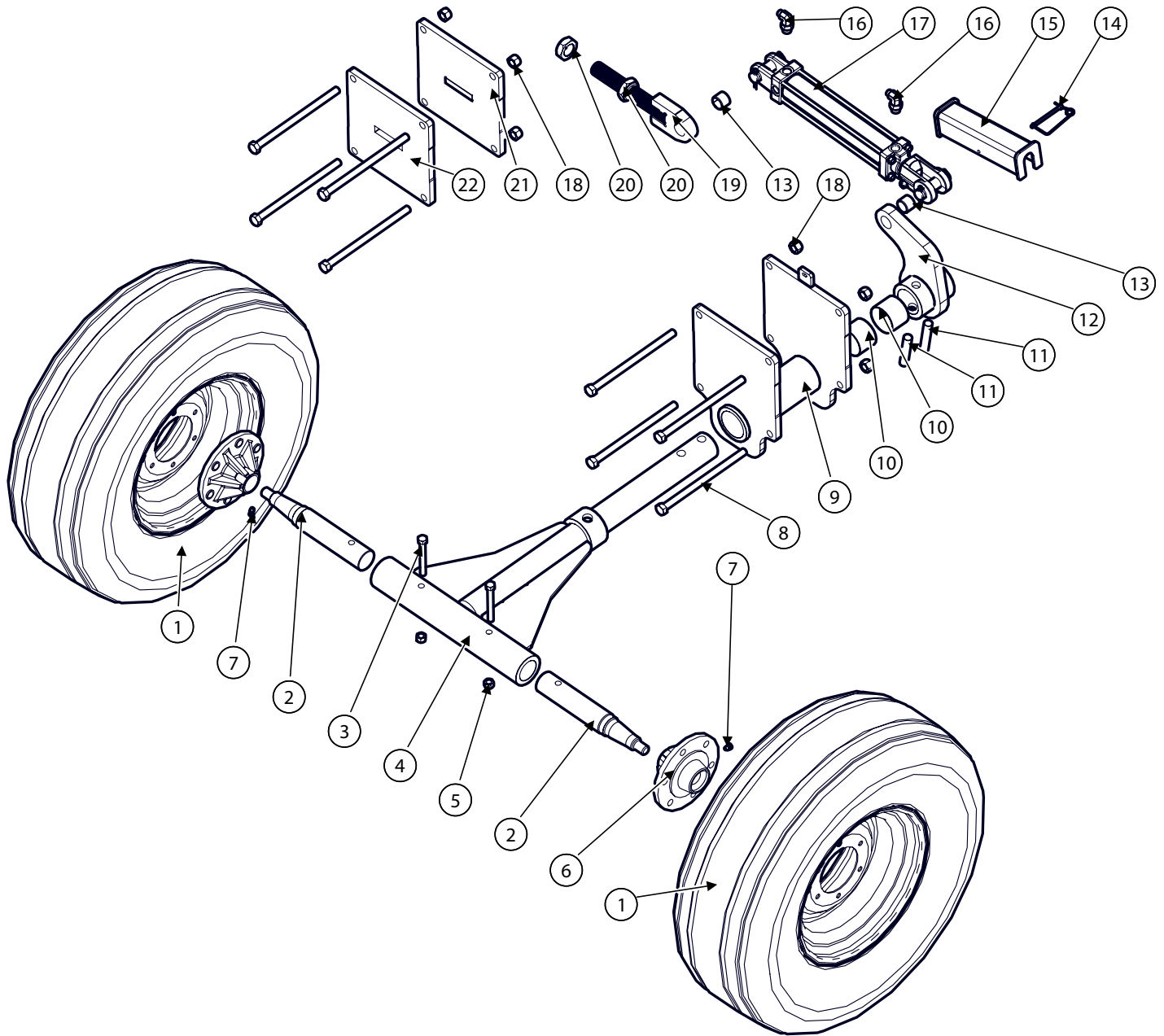
Right Pull Pivot



| BOM ID | Part No. | Qty | Description |
|--------|-------------|-----|-------------------------------|
| 1 | 102.012.064 | 1 | BOLT,HX,GR8 3/4" -10 X 4" |
| 2 | 1339261 | 1 | COLLAR, PULL PIN |
| 3 | 188.012 | 1 | NUT,HX,STV,GR8 3/4 |
| 4 | 102.010.160 | 6 | BOLT,HX,GR8 5/8" -11 X 10" |
| 5 | 162.010.032 | 4 | BUSHING, MACH, NR, 10GA, 2 ID |
| 6 | 133891 | 1 | ZERK, GREASE, 1/8 |
| 7 | 1339252 | 1 | GUIDE, PULL PIN |
| 8 | 1339142 | 1 | PIN, PULL ARM |
| 9 | 133.016 | 6 | WASHER,L9,HD 1 |
| 10 | 188.016 | 1 | NUT,HX,STV,GR8 1-8 |
| 11 | 1339611 | 1 | PULL ARM (72' & 84') |
| 11 | 1348641 | 1 | PULL ARM (48' & 60') |
| 12 | 155663 | 1 | BUSHING, SPLIT TENSION, 1"ID, |
| 13 | 102.016.088 | 1 | BOLT,HX,GR8 1" -8 X 5-1/2" |
| 14 | 188.010 | 6 | NUT,HX,STV,GR5 5/8-11 |
| 15 | 1339191 | 1 | BASE PLATE, CYLINDER MOUNT |

Model HC1010 16 Bar Harrow & Cart
For Serial Numbers HC1010-18001 thru HC1010-19999

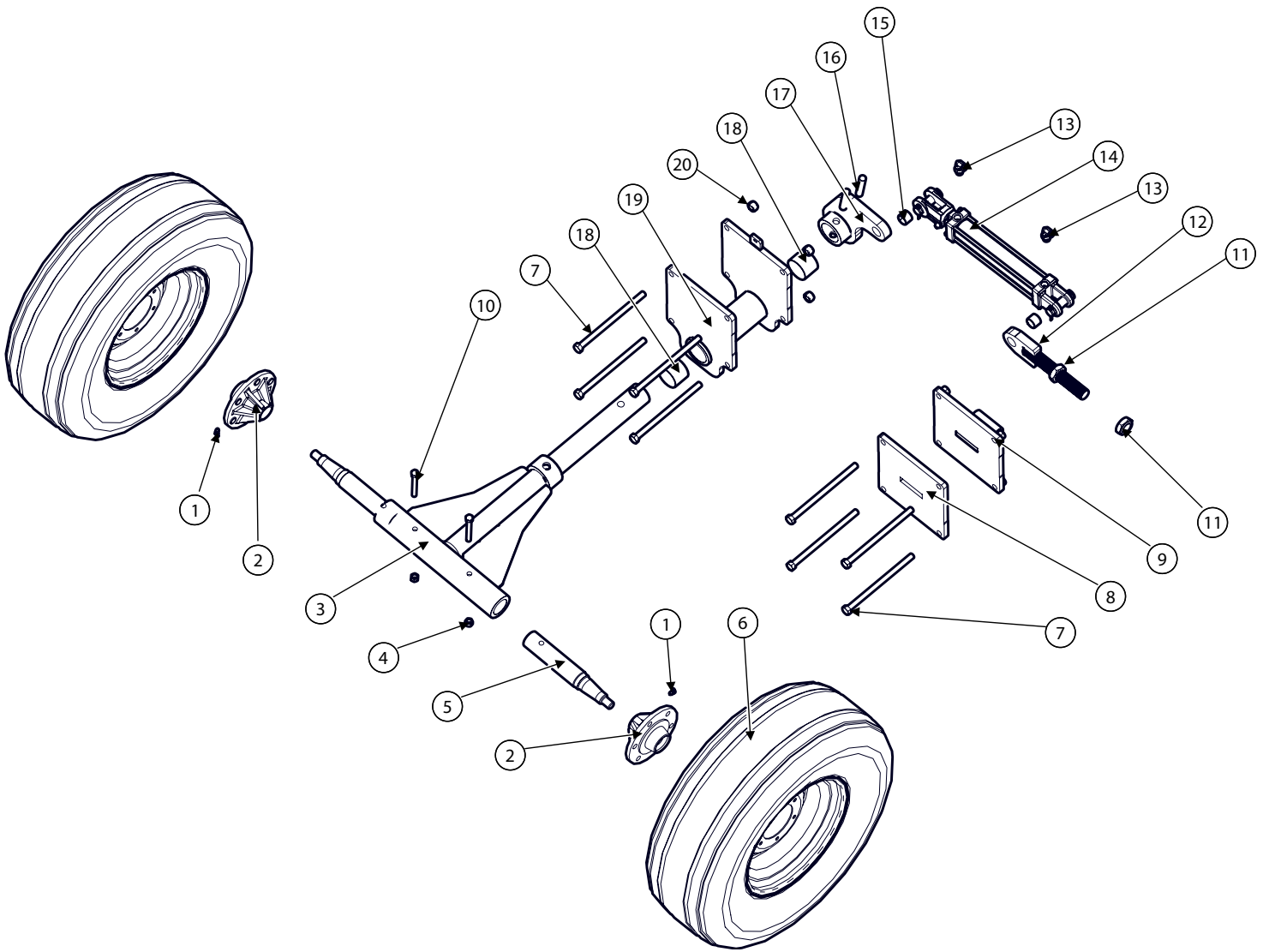
Left Wing Wheel



Model HC1010 16 Bar Harrow & Cart
For Serial Numbers HC1010-18001 thru HC1010-19999

| BOM ID | Part No. | Qty | Description |
|--------|-------------------|-----|---|
| 1 | 155736 | 2-4 | STANDARD 11L-15SL, 12-PLY, I1 W/ 15X8, |
| 1 | 155657 | 2-4 | OPTIONAL FIRESTONE IF280/70R15, 128A8, AD2 W/ 15X8, |
| 2 | 1340321 | 2 | SPINDLE |
| 3 | 102.008 | 2 | BOLT,HX,GR8 1/2" -13 X 4" |
| 4 | 1339392 | 1 | WING AXLE |
| 5 | 188.008 | 2 | NUT,HX,STV,GR8 1/2 |
| 6 | 155655 | 2 | HUB, 6 ON 6, 4.62 PILOT, 4570#, 783 |
| *NS | LM501310 (Timken) | 4 | Inner Cup (Race) |
| *NS | LM501349 (Timken) | 4 | Inner Cone (Bearing) |
| *NS | LM67010 (Timken) | 4 | Outer Cup (Race) |
| *NS | LM67048 (Timken) | 4 | Outer Cone (Bearing) |
| *NS | 18823 (CR/SKF) | 4 | Seal |
| 7 | 155816 | 2 | ZERK,GREASE,45°,M6X1.0 |
| 8 | 102.010.160 | 8 | BOLT,HX,GR8 5/8" -11 X 10" |
| 9 | 1339301 | 1 | AXLE PIVOT |
| 10 | 155658 | 2 | BUSHING, IGLIDE Q, 2-1/2" SHAFT, |
| 11 | 239.012.056 | 2 | PIN,SPRING,COILED 3/4 X3-1/2 |
| 12 | 1339381 | 1 | CYLINDER MOUNT, AXLE PIVOT |
| 13 | 155663 | 2 | BUSHING, SPLIT TENSION, 1"ID, |
| 14 | 146.004.048 | 1 | PIN,SNAP,LCK |
| 15 | 1338931 | 1 | SAFETY STOP, WING CYLINDER |
| 16 | 1003.08.04 | 2 | HYDRAULIC ADAPTER, 90° 1/2 ORB X 1/4 MORFS |
| 17 | 155660 | 1 | CYLINDER, 2"BORE, 1-1/8"ROD, |
| 18 | 188.010 | 8 | NUT,HX,STV,GR8 5/8-11 |
| 19 | 1339161 | 1 | BUTT MOUNT, ADJUSTABLE |
| 20 | 242.020 | 2 | NUT,HX,JAM,NYL,GR2 1-1/4-7 |
| 21 | 1339202 | 1 | MOUNT PLATE, WING CYLINDER |
| 22 | 1343771 | 1 | BASE PLATE, CYLINDER MOUNT |

Right Wing Wheel

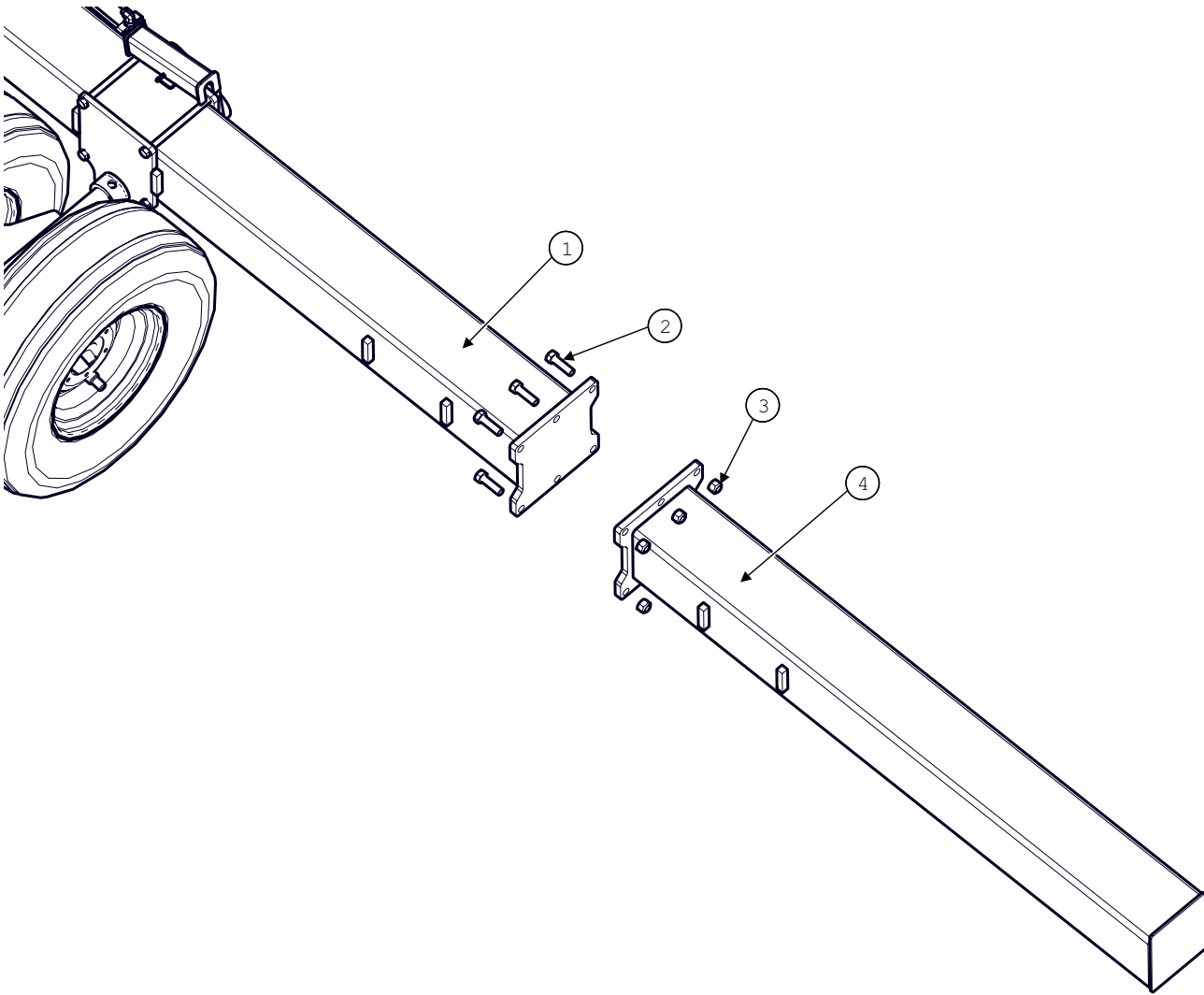


Model HC1010 16 Bar Harrow & Cart
For Serial Numbers HC1010-18001 thru HC1010-19999

| BOM ID | Part No. | Qty | Description |
|--------|-------------------|-----|---|
| 1 | 155816 | 2 | ZERK,GREASE,45°,M6X1.0 |
| 2 | 155655 | 2 | HUB, 6 ON 6, 4.62 PILOT, 4570#, 783 |
| *NS | LM501310 (Timken) | 4 | Inner Cup (Race) |
| *NS | LM501349 (Timken) | 4 | Inner Cone (Bearing) |
| *NS | LM67010 (Timken) | 4 | Outer Cup (Race) |
| *NS | LM67048 (Timken) | 4 | Outer Cone (Bearing) |
| *NS | 18823 (CR/SKF) | 4 | Seal |
| 3 | 1339392 | 1 | WING AXLE |
| 4 | 188.008 | 2 | NUT,HX,STV,GR8 1/2 |
| 5 | 1340321 | 2 | SPINDLE - 2" DIA,#4570, 783 |
| 6 | 155736 | 2 | STANDARD 11L-15SL, 12-PLY, I1 W/ 15X8, |
| 6 | 155657 | 2 | OPTIONAL FIRESTONE IF280/70R15, 128A8, AD2 W/ 15X8, |
| 7 | 102.010.160 | 8 | BOLT,HX,GR8 5/8" -11 X 10" |
| 8 | 1343771 | 1 | BASE PLATE, CYLINDER MOUNT |
| 9 | 1339202 | 1 | MOUNT PLATE, WING CYLINDER |
| 10 | 102.008 | 2 | BOLT,HX,GR8 1/2" -13 X 4" |
| 11 | 242.020 | 2 | NUT,HX,JAM,NYL,GR2 1-1/4-7 |
| 12 | 1339161 | 1 | BUTT MOUNT, ADJUSTABLE |
| 13 | 1003.08.04 | 2 | HA,90° |
| 14 | 155660 | 1 | CYLINDER, 2"BORE, 1-1/8"ROD, |
| 15 | 155663 | 2 | BUSHING, SPLIT TENSION, 1"ID, |
| 16 | 239.012.056 | 2 | PIN,SPRING,COILED 3/4" X 3-1/2" |
| 17 | 1339381 | 1 | CYLINDER MOUNT, AXLE PIVOT |
| 18 | 155658 | 2 | BUSHING, IGLIDE Q, 2-1/2" SHAFT, |
| 19 | 1339301 | 1 | AXLE PIVOT |
| 20 | 188.010 | 8 | NUT,HX,STV,GR5 5/8-11 |

Model HC1010 16 Bar Harrow & Cart
 For Serial Numbers HC1010-18001 thru HC1010-19999

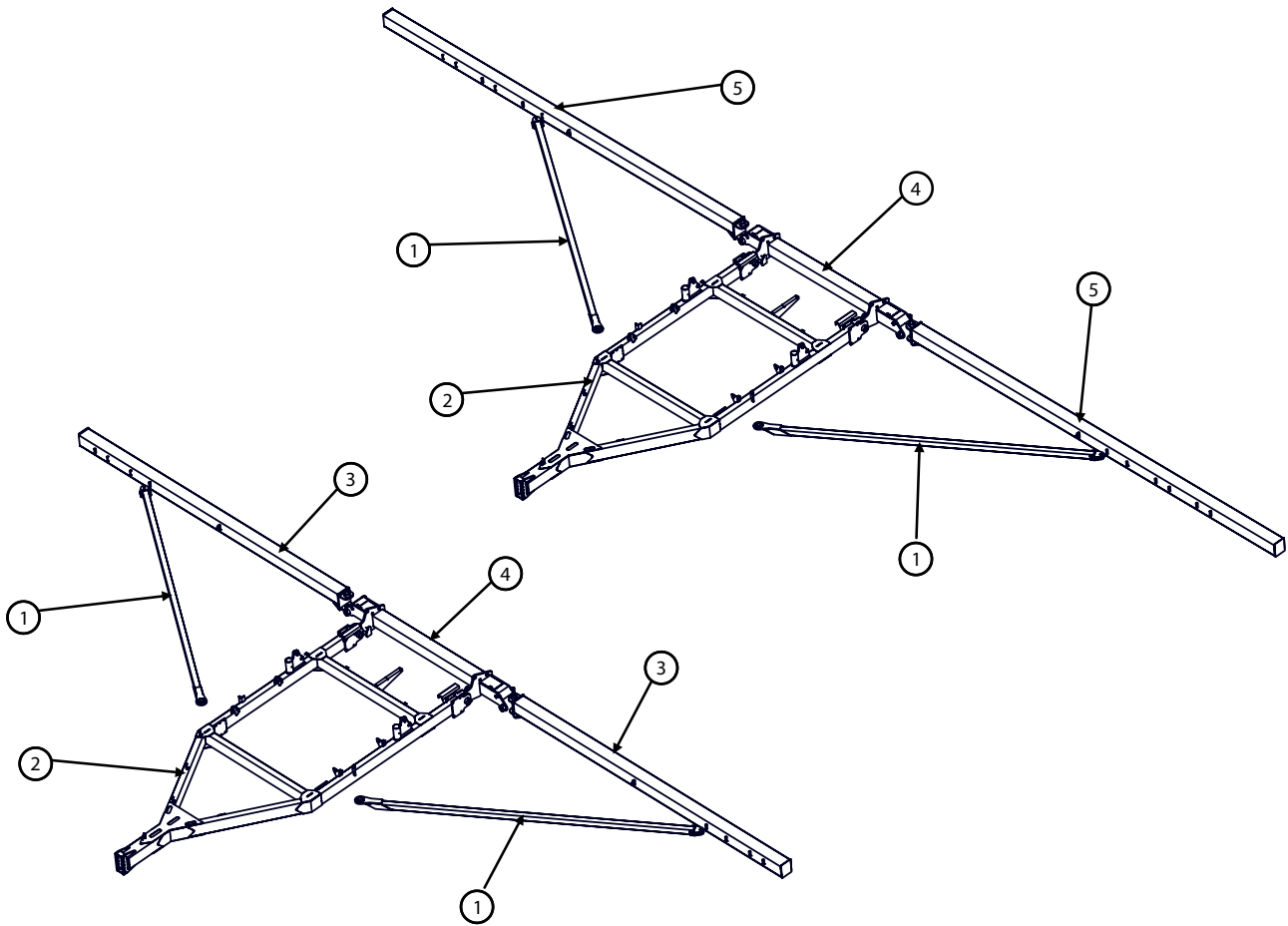
6' Wing Extension



| BOM ID | Part No. | Qty | Description |
|--------|-------------|-----|-------------------------------------|
| 1 | 1339522 | 1 | WING TUBE 72 & 84' (SN 18001-19004) |
| 1 | 1353331 | 1 | WING TUBE 72 & 84' (SN 19005-) |
| 2 | 102.012.040 | 6 | BOLT,HX,GR8 3/4-10X2-1/2 |
| 3 | 188.012 | 6 | NUT,HX,STV,GR8 3/4 |
| 4 | 1338532 | 1 | EXTENSION, 6 FOOT |

Model HC1010 16 Bar Harrow & Cart
 For Serial Numbers HC1010-18001 thru HC1010-19999

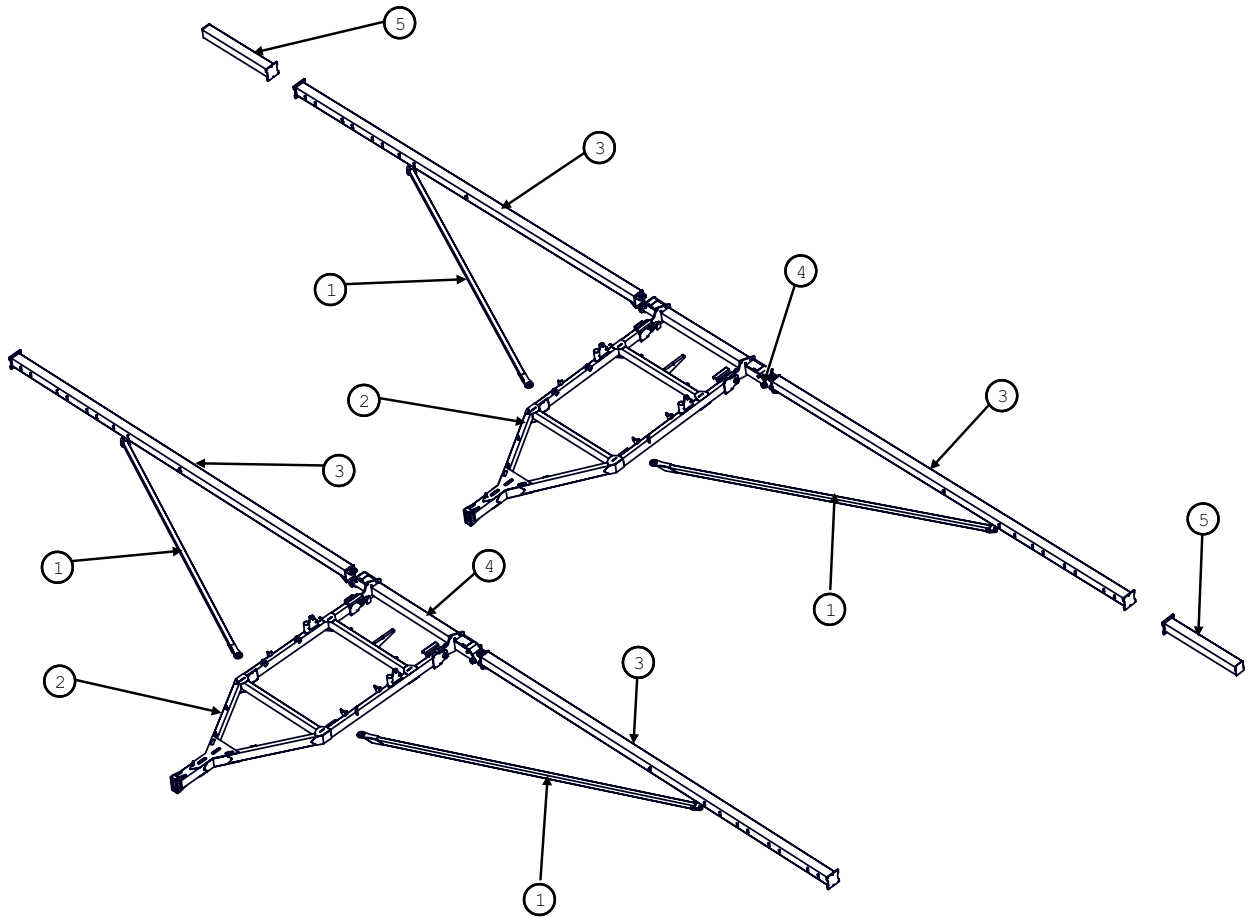
48 & 60' Frame, Wings and Pulls



| BOM ID | Part No. | Qty | Description |
|--------|----------|-----|---------------------------------|
| 1 | 1348641 | 2 | PULL ARM |
| 2 | 1348611 | 1 | CART FRAME, 48', 60' |
| 3 | 1349301 | 2 | WING TUBE 48' (SN 18001-19004) |
| 3 | 1353311 | 2 | WING TUBE 48' (SN 19005-) |
| 4 | 1348621 | 1 | CENTER BEAM, 48', 60' |
| 5 | 1348631 | 2 | WING TUBE 60' (SN 18001-19004) |
| 5 | 1353321 | 2 | WING TUBE, 60', HD (SN 19005-) |

Model HC1010 16 Bar Harrow & Cart
 For Serial Numbers HC1010-18001 thru HC1010-19999

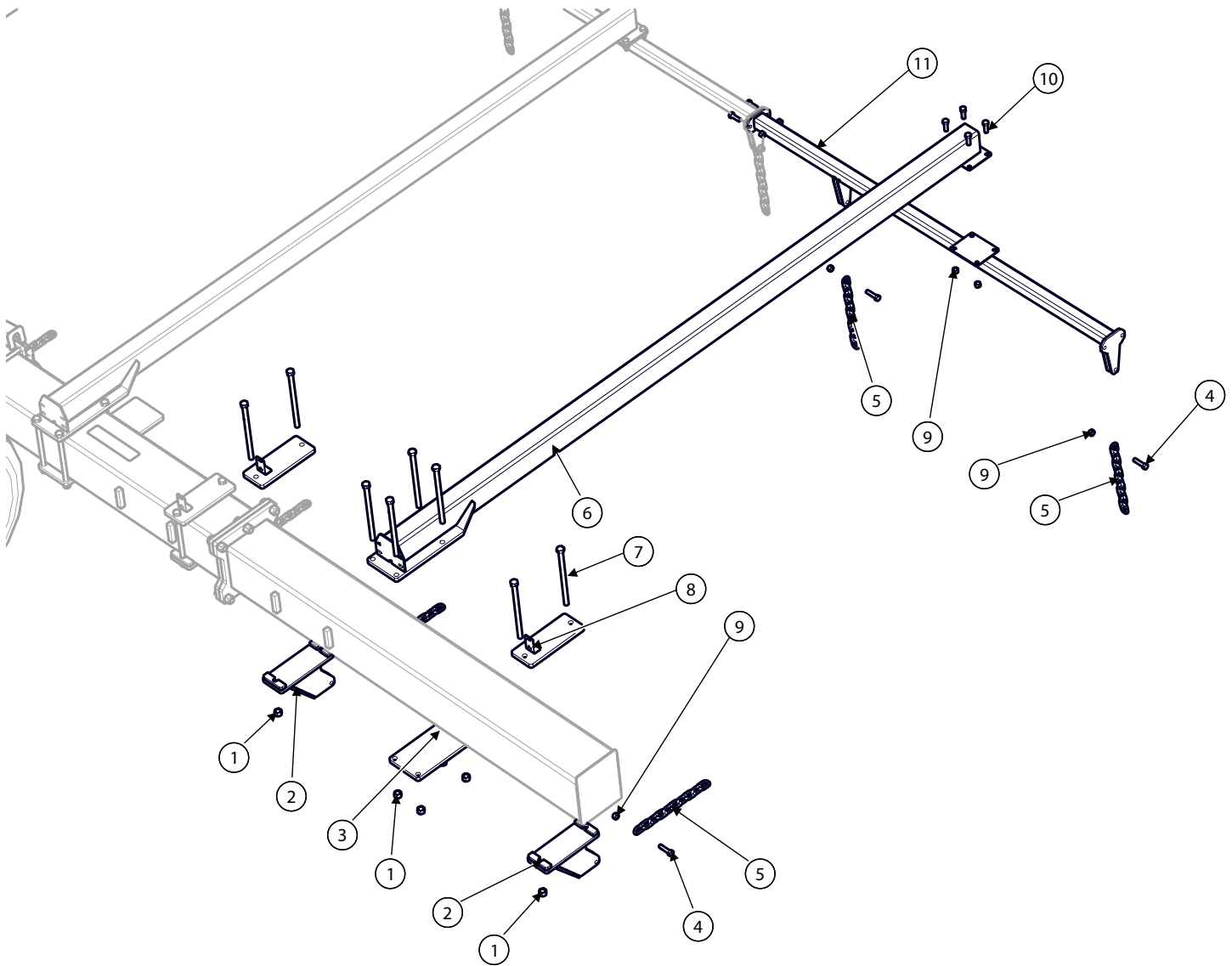
72' & 84' Frame, Wings and Pulls



| BOM ID | Part No. | Qty | Description |
|--------|----------|-----|--------------------------------------|
| 1 | 1339611 | 2 | PULL ARM |
| 2 | 1338892 | 1 | CART FRAME |
| 3 | 1339522 | 2 | WING TUBE, 72 FEET, (SN 18001-19004) |
| 3 | 1353331 | 2 | WING TUBE, 72 FEET, HD (SN 19005-) |
| 4 | 1339022 | 1 | CENTER BEAM |
| 5 | 1338532 | 2 | EXTENSION, 6 FOOT |

Model HC1010 16 Bar Harrow & Cart
 For Serial Numbers HC1010-18001 thru HC1010-19999

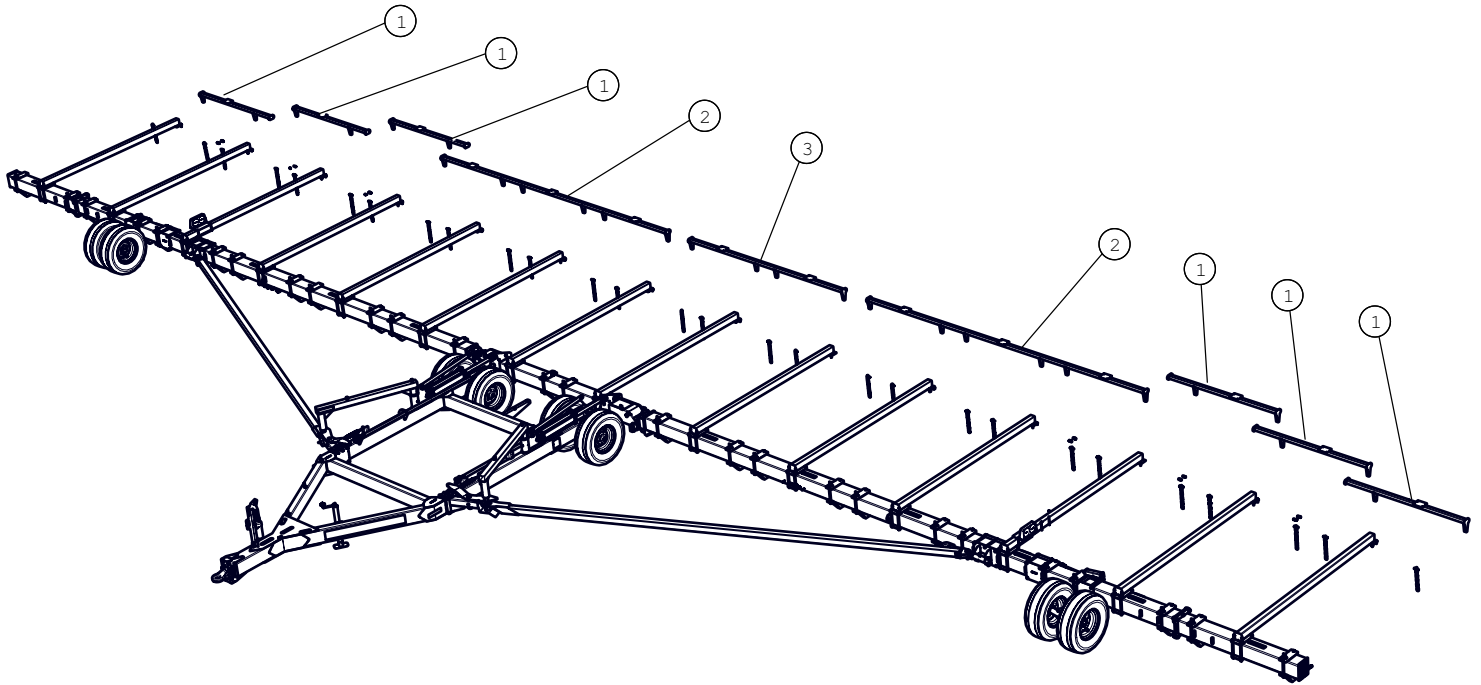
Harrow Hangers & Pulls



| BOM ID | Part No. | Qty | Description |
|--------|-------------|-----|-------------------------------|
| 1 | 188.010 | 8 | NUT,HX,STV,GR8 5/8 |
| 2 | 1338511 | 3 | HARROW PULL |
| 3 | 1338372 | 1 | MOUNT PLATE, |
| 4 | 102.008.032 | 4 | BOLT,HX,GR8 1/2" -13 X 2" |
| 5 | 1340601 | 4 | LIFT CHAIN, 10-LINK |
| 6 | 1338403 | 1 | LIFT ARM |
| 7 | 102.010.160 | 8 | BOLT,HX,GR8 5/8" -11 X 10" |
| 8 | 1339041 | 3 | CLAMP PLATE, |
| 9 | 188.008 | 10 | NUT,HX,STV,GR8 1/2 |
| 10 | 102.008.024 | 6 | BOLT,HX,GR8 1/2" -13 X 1-1/2" |
| 11 | 1339732 | 1 | LIFT TUBE, EXTENSION |

Model HC1010 16 Bar Harrow & Cart
 For Serial Numbers HC1010-18001 thru HC1010-19999

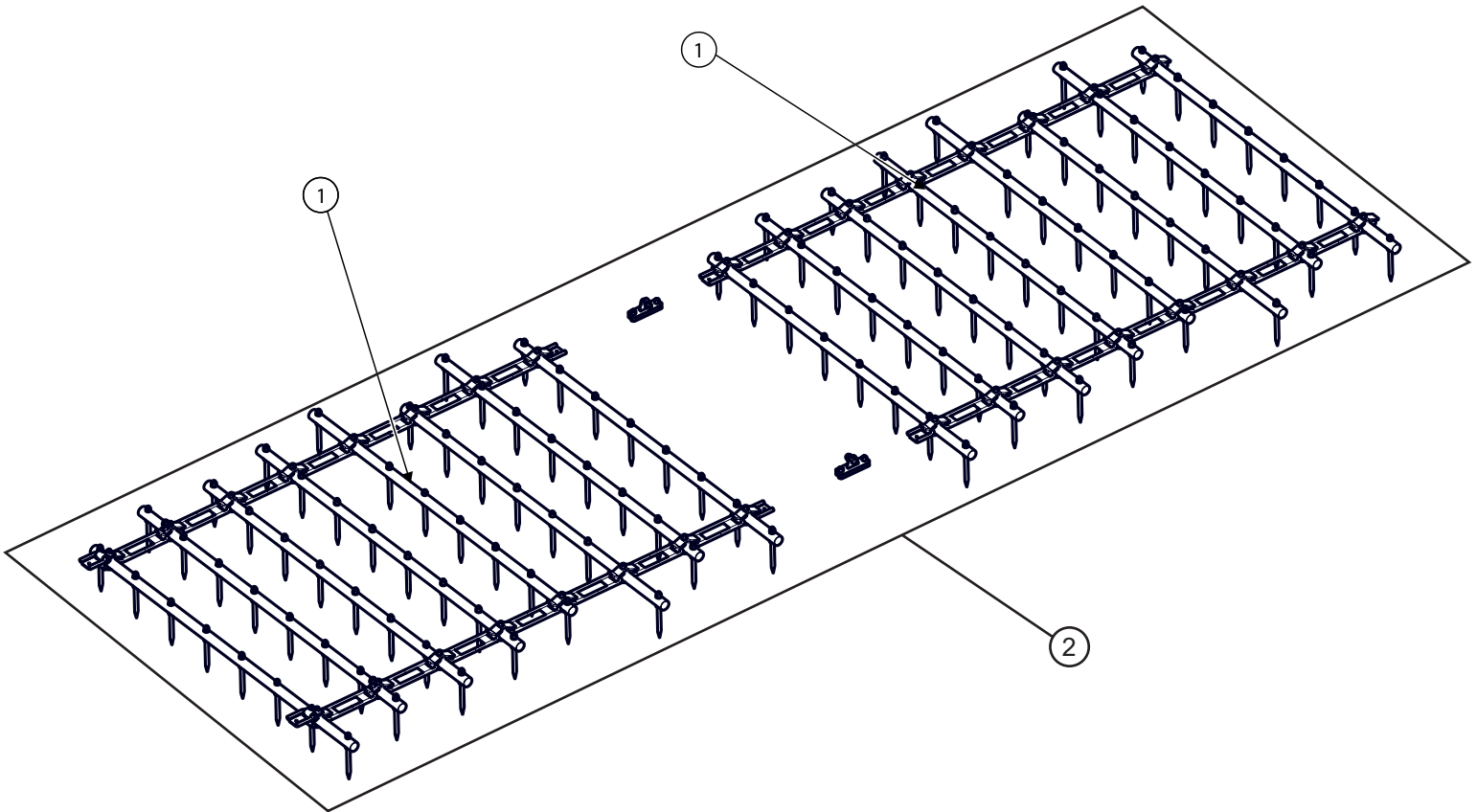
Lift Tubes



| BOM ID | Part No. | Qty | Description |
|--------|----------|-----|-----------------------|
| 1 | 1339732 | 6 | LIFT TUBE, EXTENSION |
| 2 | 1343961 | 2 | LIFT TUBE, INNER WING |
| 3 | 1339712 | 1 | LIFT TUBE, CENTER |

Model HC1010 16 Bar Harrow & Cart
 For Serial Numbers HC1010-18001 thru HC1010-19999

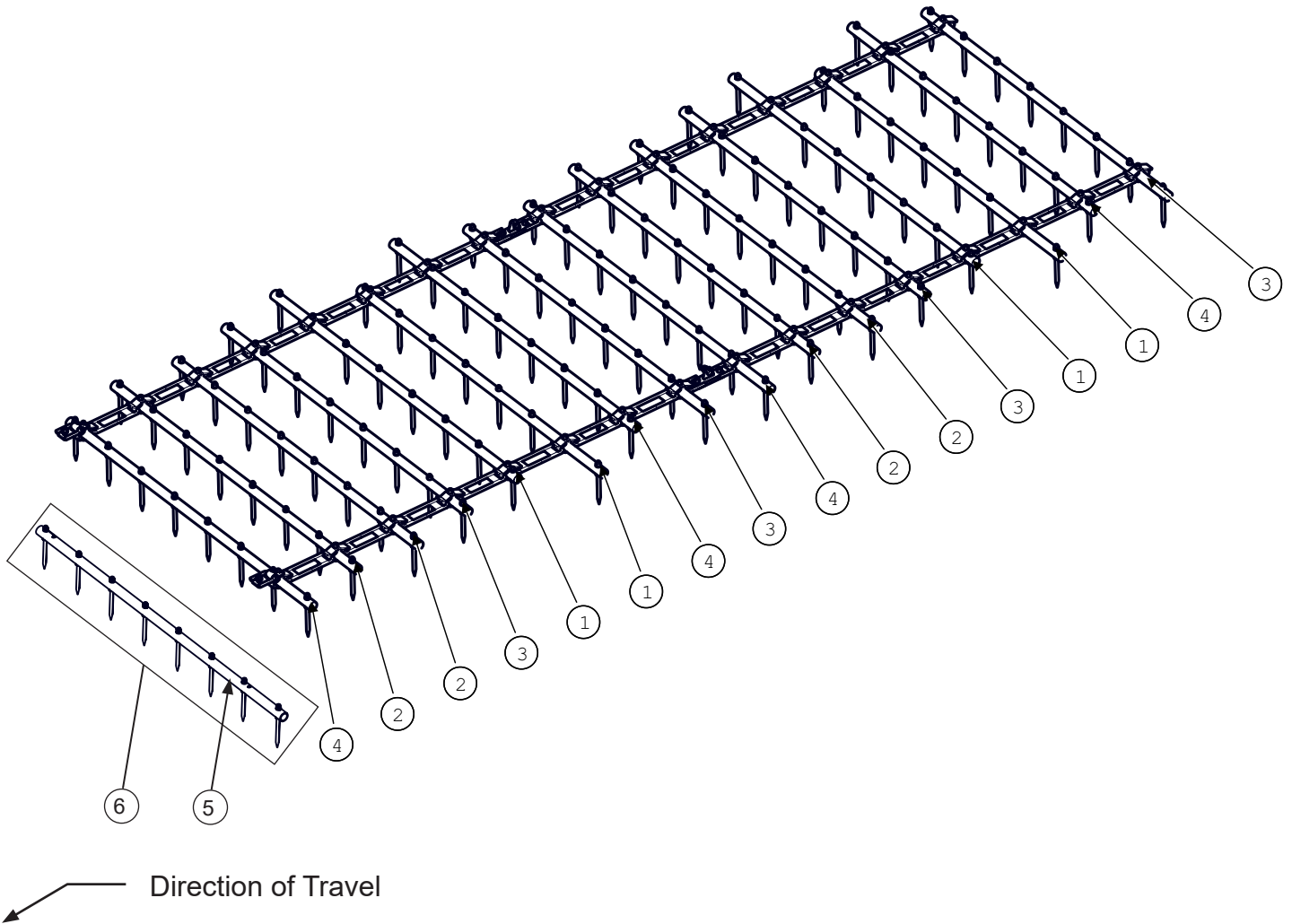
Harrow Sections



Direction of Travel

| BOM ID | Part No. | Qty | Description |
|--------|----------|-----|-----------------------------------|
| 1 | 1347011 | 1 | 8-BAR |
| 2 | 1352351 | 1 | 16-BAR WITH MIDDLE HANGER SUPPORT |

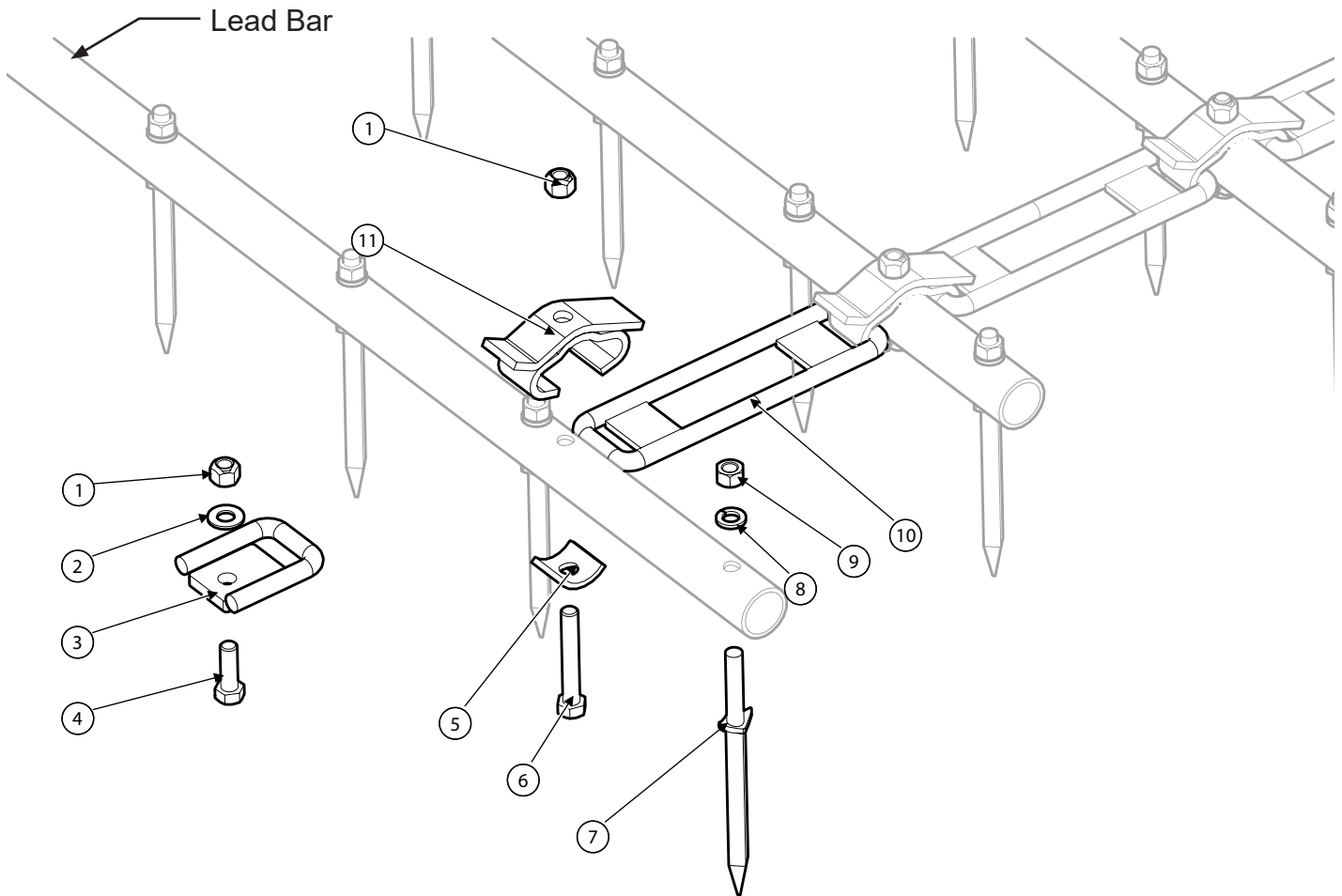
Harrow Bars



| BOM ID | Part No. | Qty | Description |
|--------|----------|-----|--|
| 1 | 155720 | 4 | PIPE, 6 FOOT, #1 |
| 2 | 155721 | 4 | PIPE, 6 FOOT, #2 |
| 3 | 155722 | 4 | PIPE, 6 FOOT, #3 |
| 4 | 155723 | 4 | PIPE, 6 FOOT, #4 |
| 5 | 1347491 | 1 | OPTIONAL - HEAVY DUTY LEAD BAR |
| 6 | 1355991 | 1 | OPTIONAL - HEAVY DUTY LEAD BAR WITH SPIKES, WASHERS AND NUTS |

**Note - Pipe direction is flipped to change spike offset*

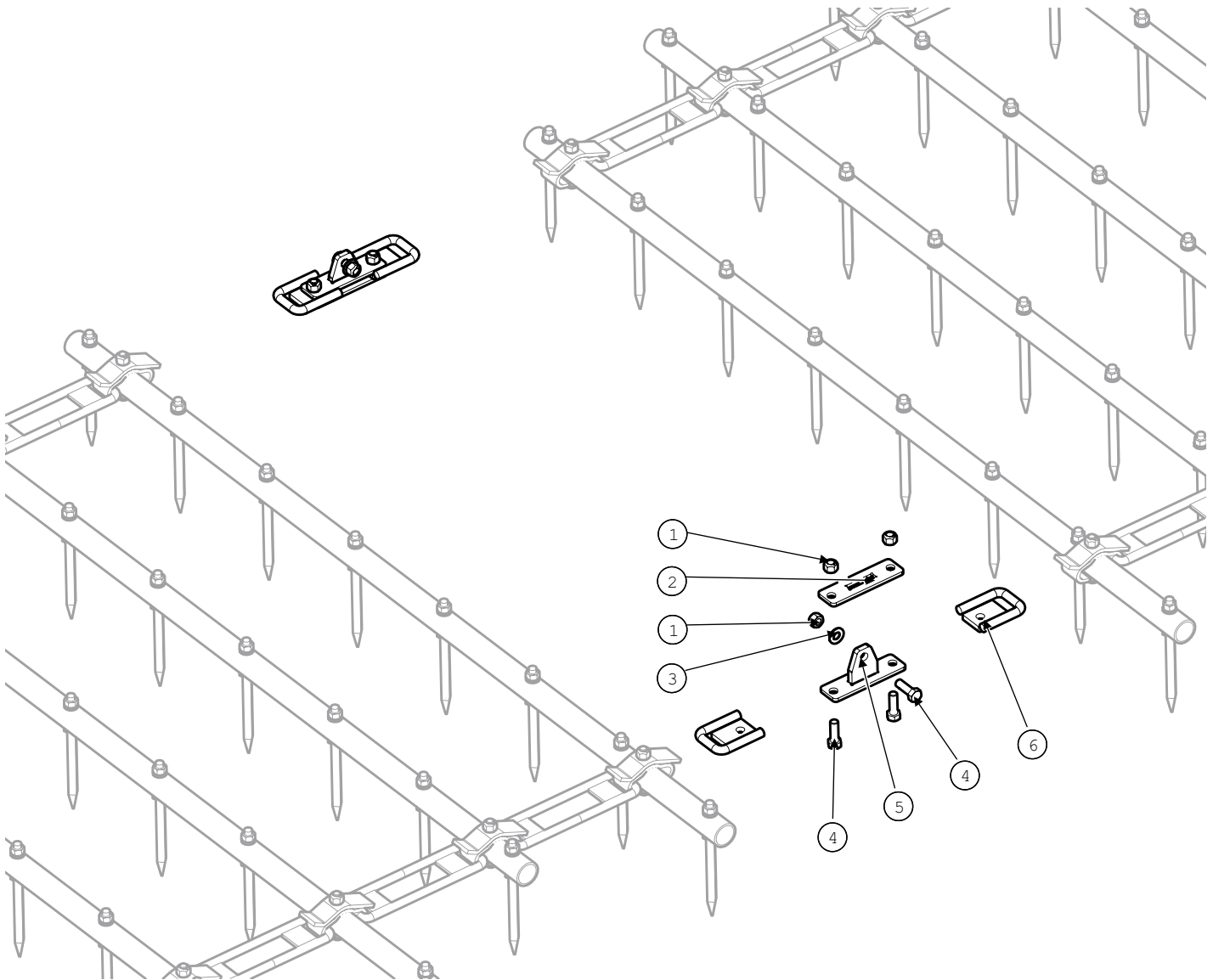
Connecting Links and Spikes



**Note - Quantities are for one 16 bar 6' section*

| BOM ID | Part No. | Qty | Description |
|--------|-------------|-----|-------------------------------|
| 1 | 188.008 | 32 | NUT,HX,STV,GR8 1/2 |
| 2 | 133.008 | 4 | WASHER,L9,HD |
| 3 | 155719 | 8 | 1/2 LINK |
| 4 | 102.008.024 | 8 | BOLT,HX,GR8 1/2" -13 X 1-1/2" |
| 5 | 155716 | 32 | BOTTOM PLATE |
| 6 | 101.008.048 | 32 | BOLT,HX,GR5 1/2" -13 X 3" |
| 7 | 155724 | 124 | TOOTH, SHORT SHANK |
| 8 | 136.008 | 124 | WASHER,LCK,MED-SPLIT 1/2 |
| 9 | 103.008 | 124 | NUT,HX,GR5 1/2-13 |
| 10 | 155718 | 28 | LINK |
| 11 | 155715 | 32 | BAR CLAMP |

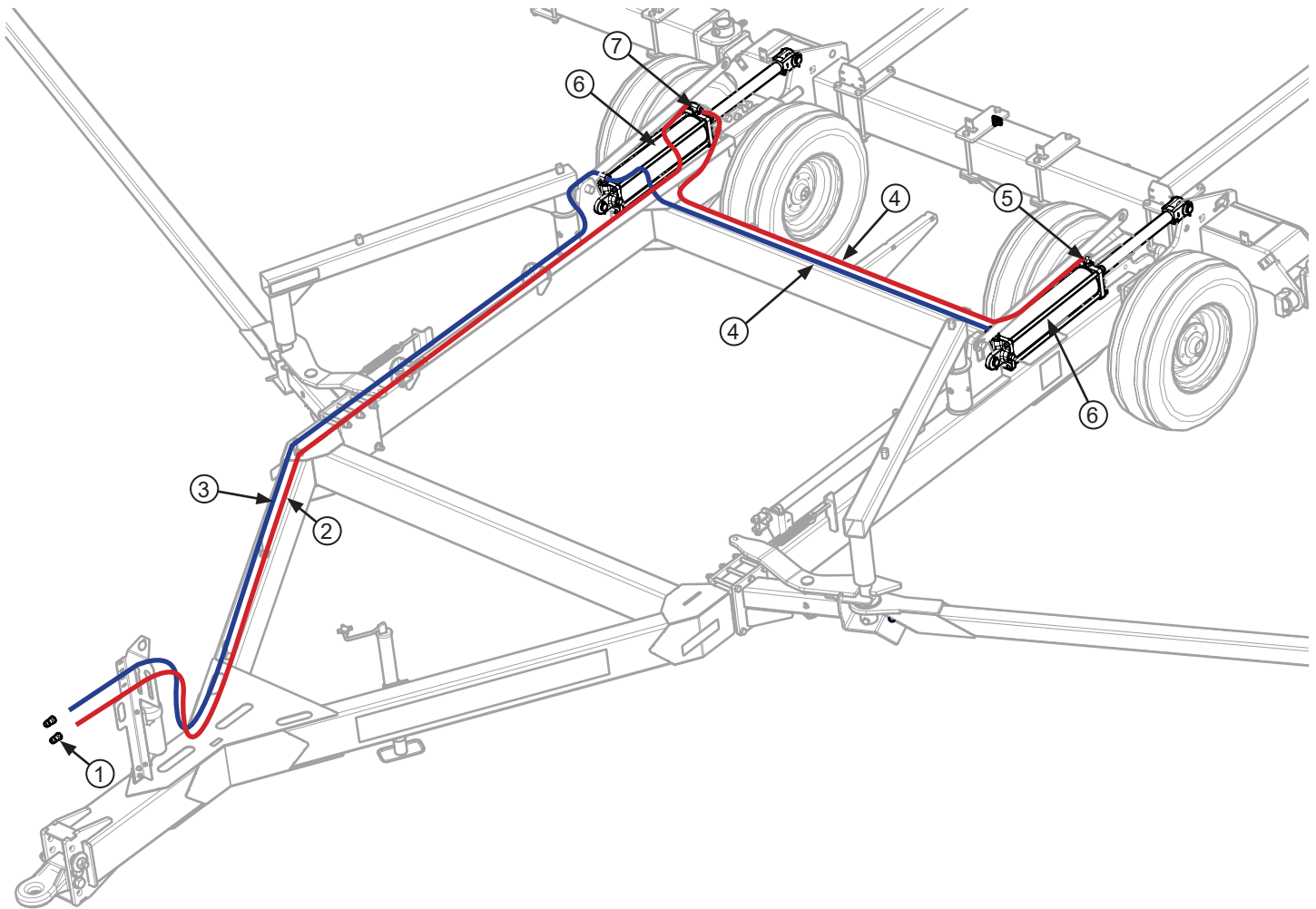
Harrow Hanger Connectors



| BOM ID | Part No. | Qty | Description |
|--------|-------------|-----|-------------------------------|
| 1 | 188.008 | 6 | NUT,HX,STV,GR8 1/2 |
| 2 | 1340471 | 2 | CONNECTING STRAP |
| 3 | 133.008 | 2 | WASHER,L9,HD |
| 4 | 102.008.024 | 6 | BOLT,HX,GR8 1/2" -13 X 1-1/2" |
| 5 | 1340511 | 2 | BOTTOM STRAP |
| 6 | 155719 | 4 | 1/2 LINK |

Model HC1010 16 Bar Harrow & Cart
 For Serial Numbers HC1010-18001 thru HC1010-19999

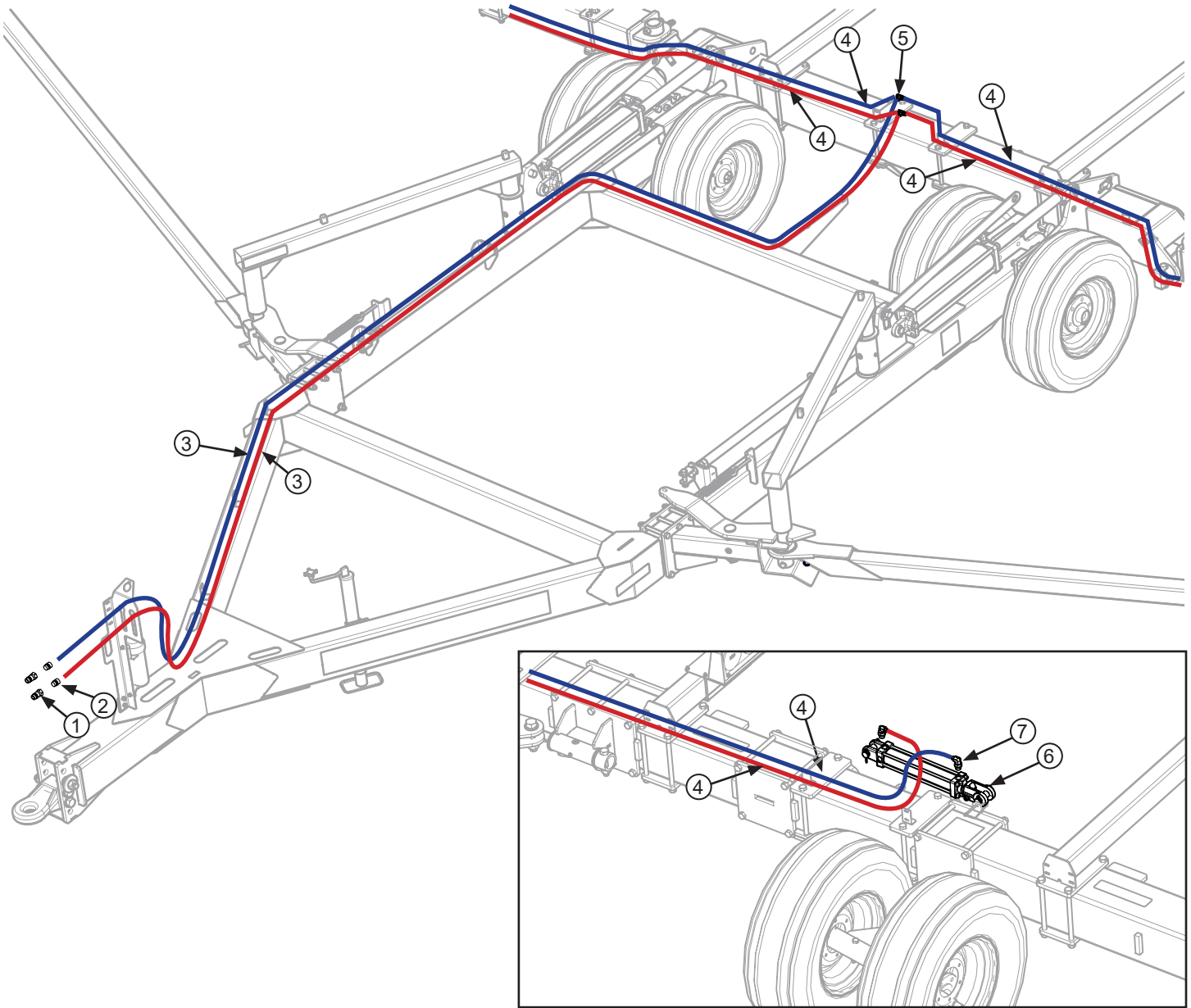
Hydraulics - Wing Up



| BOM ID | Part No. | Qty | Description |
|--------|------------|-----|-------------------------------|
| 1 | HC-150211 | 2 | CONNECTE, PIONEER MALE QUICK, |
| 2 | 1346021 | 1 | 100R17AR-08X255"; |
| 3 | 1346011 | 1 | 100R17AR-08X230"; |
| 4 | 1346001 | 2 | 100R17AR-08X110"; |
| 5 | 1003.10.08 | 2 | HA,90° -10MORB X -8MORFS |
| 6 | 155659 | 2 | CYLINDER, 5"BORE, 2"ROD, |
| 7 | 1009.10 | 2 | HA,TEE,STR,THD,BRA -10ORFS |

Note: Cylinders come with pins and cotter pins

Hydraulics - Pivoting Wing Wheels

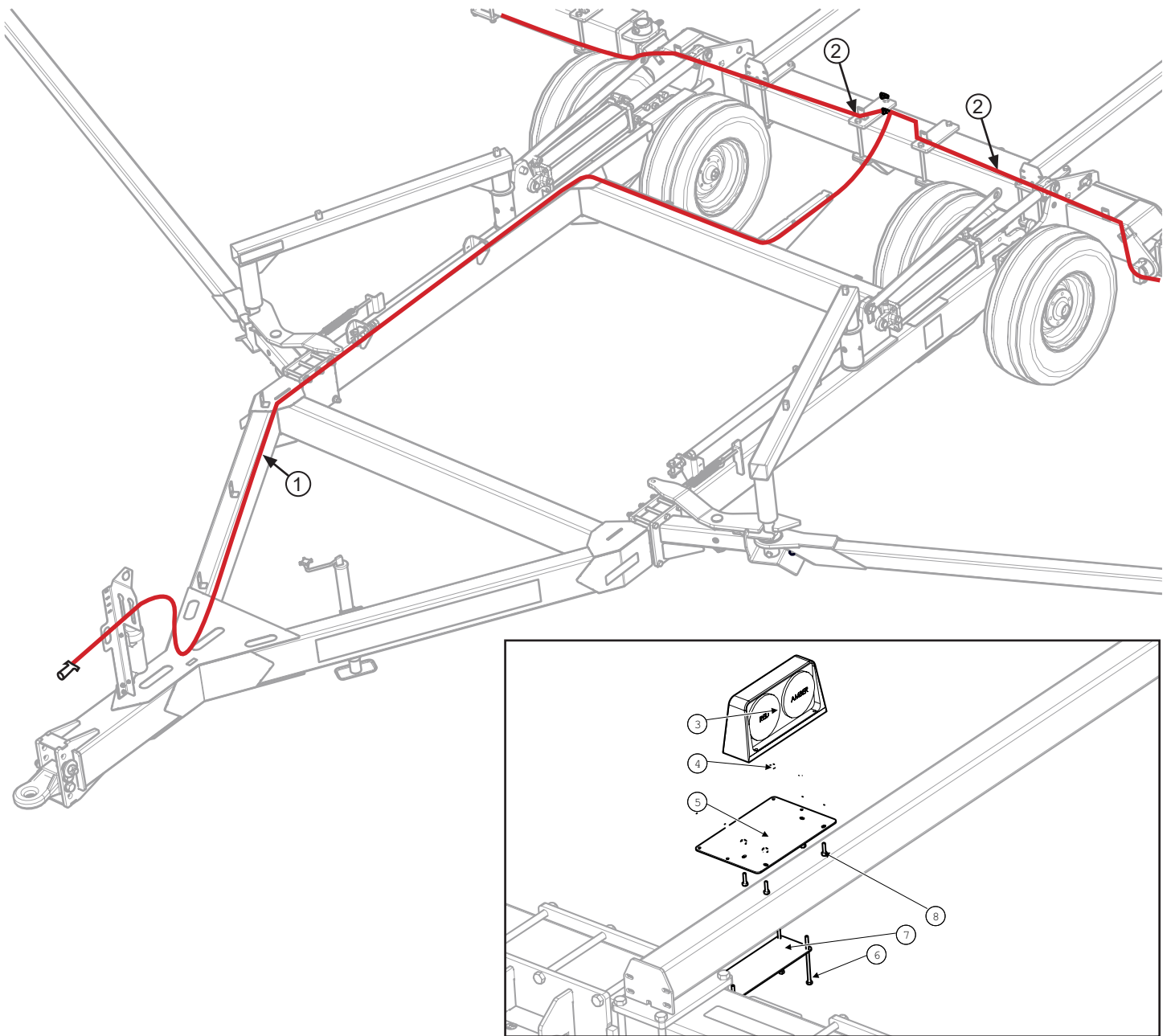


| BOM ID | Part No. | Qty | Description |
|--------|------------|-----|-------------------------------|
| 1 | HC-150211 | 2 | CONNECTE, PIONEER MALE QUICK, |
| 2 | 1043.03.08 | 2 | HA,STR -6FORB X -8MORB |
| 3 | 1345991 | 2 | 100R17AR-04X331"; |
| 4 | 1351731 | 4 | 100R17AR-04X293"; 48' |
| 4 | 1349821 | 4 | 100R17AR-04X312"; 60' |
| 4 | 1347191 | 4 | 100R17AR-04X384"; 72' & 84' |
| 5 | 1018.04 | 2 | UNION -4ORFS |
| 6 | 155660 | 2 | CYLINDER, 2"BORE, 1-1/8"ROD, |
| 7 | 1003.08.04 | 4 | 90° -8MORB X -4MORFS |

Note: Cylinders come with pins and cotter pins

Model HC1010 16 Bar Harrow & Cart
 For Serial Numbers HC1010-18001 thru HC1010-19999

Electrical



| BOM ID | Part No. | Qty | Description |
|--------|-------------|-----|------------------------------------|
| 1 | 1347311 | 1 | Primary Electrical Harness |
| 2 | 1347321 | 2 | Wing Electrical Harness |
| 3 | 155809 | 1 | AG LIGHT, RH DUAL LED, 3-WIRE LEAD |
| NS | 1347331 | 1 | LEFT LIGHT AND HARNESS ASSEMBLY |
| NS | 155808 | 1 | AG RIGHT, RH DUAL LED, 3-WIRE LEAD |
| NS | 1347401 | 1 | RIGHT LIGHT AND HARNESS ASSEMBLY |
| 4 | 188.004 | 8 | NUT,HX,STV,GR8 1/4 |
| 5 | 1346911 | 1 | MOUNT PLATE, FLASHING LIGHT |
| 6 | 101.004.076 | 4 | BOLT,HX,GR5 1/4" -20 X 4-3/4" |
| 7 | 1346921 | 1 | CLAMP PLATE, FLASHING LIGHT |
| 8 | 101.004.016 | 4 | BOLT,HX,GR5 1/4" -20 X 1" |

Model HC1010 16 Bar Harrow & Cart
 For Serial Numbers HC1010-18001 thru HC1010-19999

155678

! WARNING

IMPLEMENT CONTROL HAZARD

1. Do not tow at speeds over 20 mph.
2. The towing vehicle must weigh at least 2/3 the weight of this implement. Refer to Operator's Manual for more information.

FAILURE TO FOLLOW THESE INSTRUCTIONS COULD RESULT IN SERIOUS INJURY OR DEATH

155678

155678



155681

! WARNING

SAFETY STOP ON LIFT CYLINDERS

1. USE SAFETY STOPS ON LIFT CYLINDERS (A) WHEN IN TRANSPORT MODE.
2. STORE SAFETY STOPS ON SWING ARMS (B) WHEN IN FIELD MODE.

FAILURE TO FOLLOW THESE INSTRUCTIONS COULD RESULT IN SERIOUS INJURY OR DEATH

155681

1347441



1347431



1347451



155682

! WARNING

SAFETY STOP ON WING CYLINDERS

1. USE SAFETY STOPS ON WING CYLINDERS (A) WHEN IN TRANSPORT MODE.
2. STORE SAFETY STOPS ON WHEEL PIVOT MOUNT (B) WHEN IN FIELD MODE.

FAILURE TO FOLLOW THESE INSTRUCTIONS COULD RESULT IN SERIOUS INJURY OR DEATH

155682

133731



133741



