

Model JB510 Single Pass Round Bale System
For Serial Numbers 14001-14999



Model JB510 Single Pass Round Bale System

JB510C-14001 thru JB510C-14999

&

JB510B-14001 thru JB510B-14999

D-130625CMA01B

Table of Contents

Accumulator

Serial Number Location	3
Text and Illustrations	3
Abbreviations	3
Right and left Identification	3
Part Orders	3
General Information	3
Caster Wheel	4
Hitch	6
Hitch Hydraulic Lines	8
Tongue Pins	10
Conveyor Tensioner	11
Conveyor	13
Conveyor Drive	14
Feed Roll Drive	16
Feed Roll Adjustment - Left	18
Feed Roll Adjustment - Right	20
Feed Rolls	22
Baler Pickup	24
Baler Drive	26
Chassis	28
Feed System Control	29
Accumulator Shields	30
Hopper Air Vents	31
Hopper Shields	33
Baler Lift Kit & Kicker Stop	35
Sensors	36
Baler Speed Sensor	37
Baler Camera Mount	38
Baler Hitch Hydraulic Hoses	39
Baler Hydraulic Hoses	40

Spout

Combine Hitch	41
Gear Pump	43
Belt Drives	44
Hydrostatic Pump & Adapter	46
Feed System Diverter Valve	48
Spout Hanger	49
Spout Tip	51
Spout Tip Pivot	52
Spout Right Side	54
Vane Tailboard Spout	55
PowerCast Tailboard Spout	57
Combine Camera	58
Monitors, Switches & Cameras	59
Power Distribution Module	60
FT4 Hydraulic Hoses	61
IT4 Hydraulic Hoses	63
PowerCast Hydraulic Hoses	65
Decals	66

Contact Information

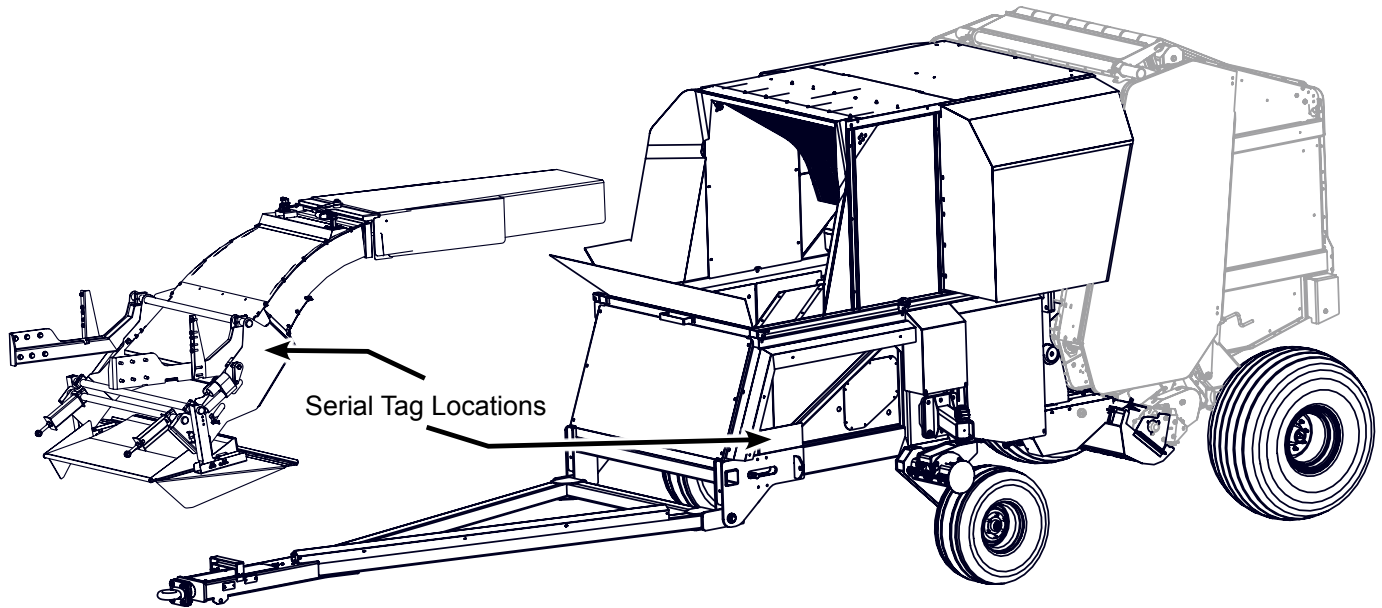
Hillco Technologies, Inc.
107 1st Avenue
Nezperce, Idaho 83543

Phone	800-937-2461
	208-937-2461
Fax	208-937-2280

www.hillcotechnologies.com
email: support@hillcotechnologies.com

GENERAL INFORMATION

SERIAL NUMBER LOCATION



TEXT AND ILLUSTRATIONS

The arrangement of this parts catalog is for easy identification of parts. All parts are illustrated in exploded views in proper relation to each other. Some diagrams refer to other pages for further information. Reference numbers used in the illustrations refer to line numbers in the part lists. The part lists appear to the right or below all diagrams and correspond with those diagrams. Included in the part lists, along with the reference numbers are part numbers, part descriptions and the quantity of the part required per leveling system.

ABBREVIATIONS

SN "Serial Number" refers to the serial number given to each SPRB System (by Hillco Technologies), as well as the serial number given to the combine & baler (by the specific combine manufacturer) the unit is installed. See above for the SPRB System's serial number location. This abbreviation is used interchangeably in both instances. Each Model JB510 uses the following serial number format: JB510C_____ on the Spout & JB510B_____ on the Attachment.

ASM "Assembly" refers to a whole grouping of parts (shown in the diagram corresponding with the page where "ASM" is shown unless otherwise noted). Some assemblies have parts that are sold separately, however some must be purchased as a single unit. Hillco Product Specialists will be able to assist you with any questions.

NS "Not Shown" refers to a part that is not depicted in the illustration.

RIGHT AND LEFT IDENTIFICATION

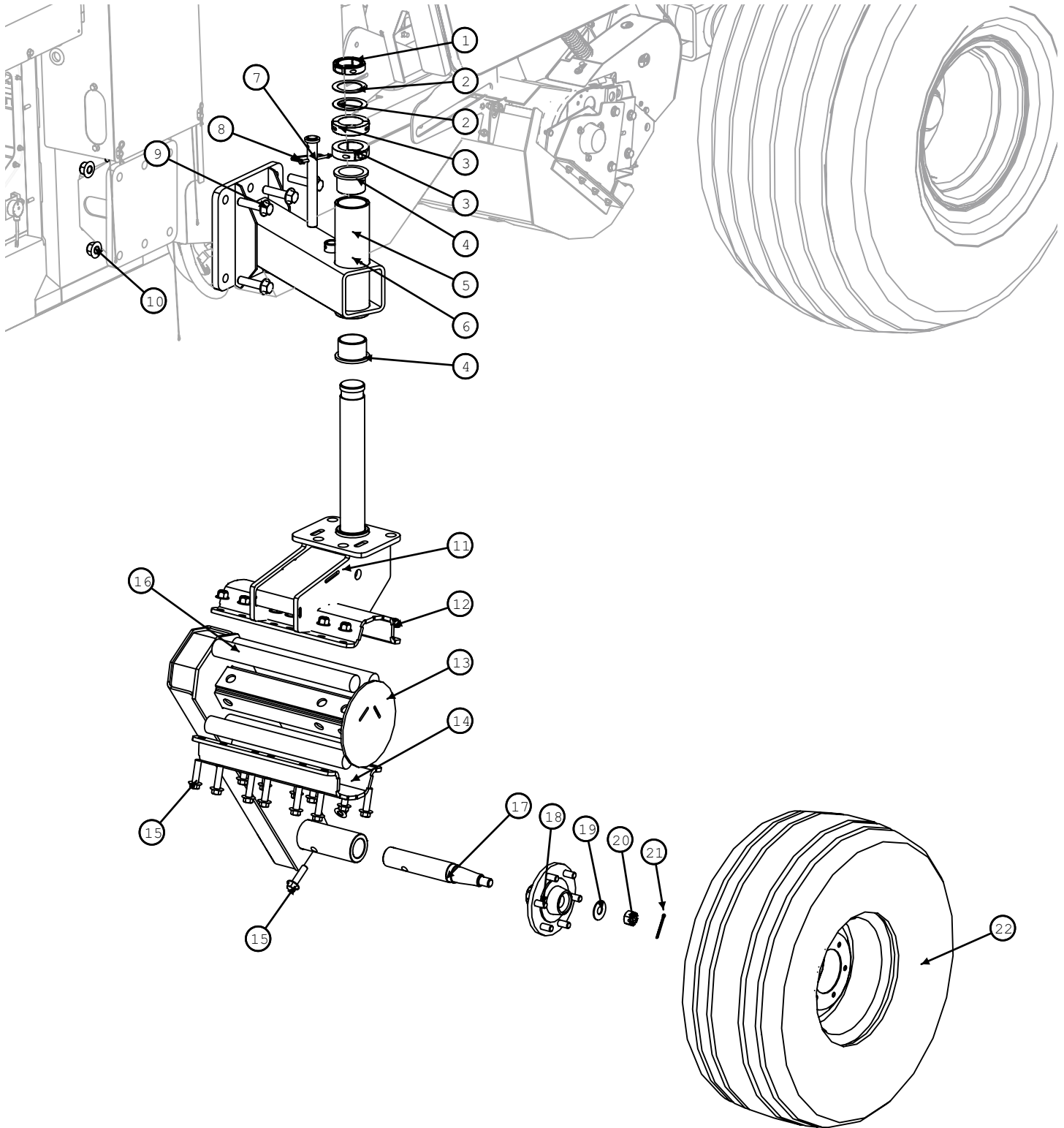
The reference to right-hand and left-hand in this catalog is identified by the operator sitting in the operator's seat, looking toward the front of the machine (in normal forward travel).

PART ORDERS

Orders must specify product model, serial number, correct part number, complete description, quantity required, method of shipment, shipping address, and billing address.

Model JB510 Single Pass Round Bale System
For Serial Numbers 14001-14999

Caster Wheel



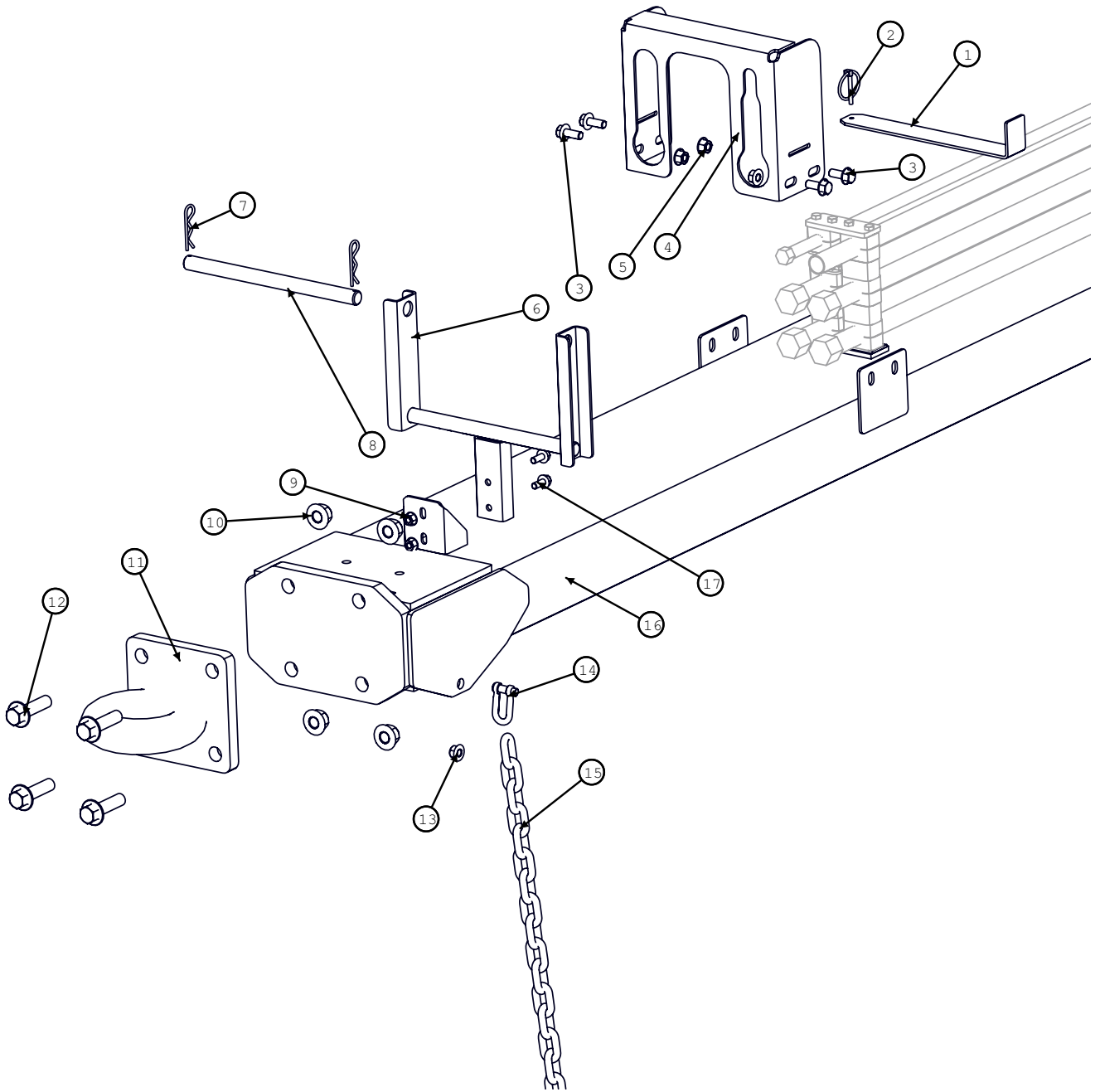
Model JB510 Single Pass Round Bale System
For Serial Numbers 14001-14999

CASTER WHEEL

BOM ID	Part No.	Qty	Description
NS	P302951	1	CASTER, RIGHT ASM
NS	P302941	1	CASTER, LEFT ASM
1	150741	1	Clamping Collar 2-1/4" ID
2	162.014.040	2	BUSHING,MACH,NR
3	153071	2	COLLAR, CLAMPING 2-1/2 ID 2PC
4	153121	2	PIVOT BUSHING, TUFFCAST 2.875OD X 2.5 ID
5	1301603	1	CASTER ARM, LEFT
	1316751	1	CASTER ARM, RIGHT
6	138011	1	ZERK,STR, 1/4-28MTAPER
7	1314641	1	LOCKOUT PIN, CASTER
8	146.004.048	1	PIN, SNAP, LCK
9	122.020.080	6	BOLT,HX,FL,CL10.9 M20
10	128.02	6	NUT,HX,FL,STV,CL10 M20
11	1302982	1	CASTER SUSPENSION MNT
12	128.016	13	NUT,HX,FL,STV,CL10 M16
13	1303021	1	CASTER SWING ARM
14	1302991	1	CASTER SUSPENSION CHANNEL
15	122.016.060	13	BOLT,HX,FL,CL10.9 M16
16	153061	4	ISOLATOR, TORSION SPRING CORD
17	1303102	1	SPINDLE, CASTER
18	153041	1	HUB, WHEEL
NS	154651	1	BEARING, CASTER HUB OUTER, RELIABLE #LM501349
NS	154661	1	BEARING, CASTER HUB INNER, RELIABLE #LM67048
NS	154671	1	DUST CAP, CASTER HUB, RELIABLE #1604
NS	154681	1	SEAL, CASTER HUB, RELIABLE SL-188
NS	154691	6	BOLT, LUG, CASTER HUB, RELIABLE #LB-509
19	132.012	1	WASHER,SAE,HD 3/4
20	233.014	1	NUT,HX,CAST,GR5 7/8-14
21	142.003.032	1	PIN,COTTER 3/16
22	152481	1	TIRE AND WHEEL (WHL W/31X13.5X15-8 HF1 FTR TL)

Model JB510 Single Pass Round Bale System
For Serial Numbers 14001-14999

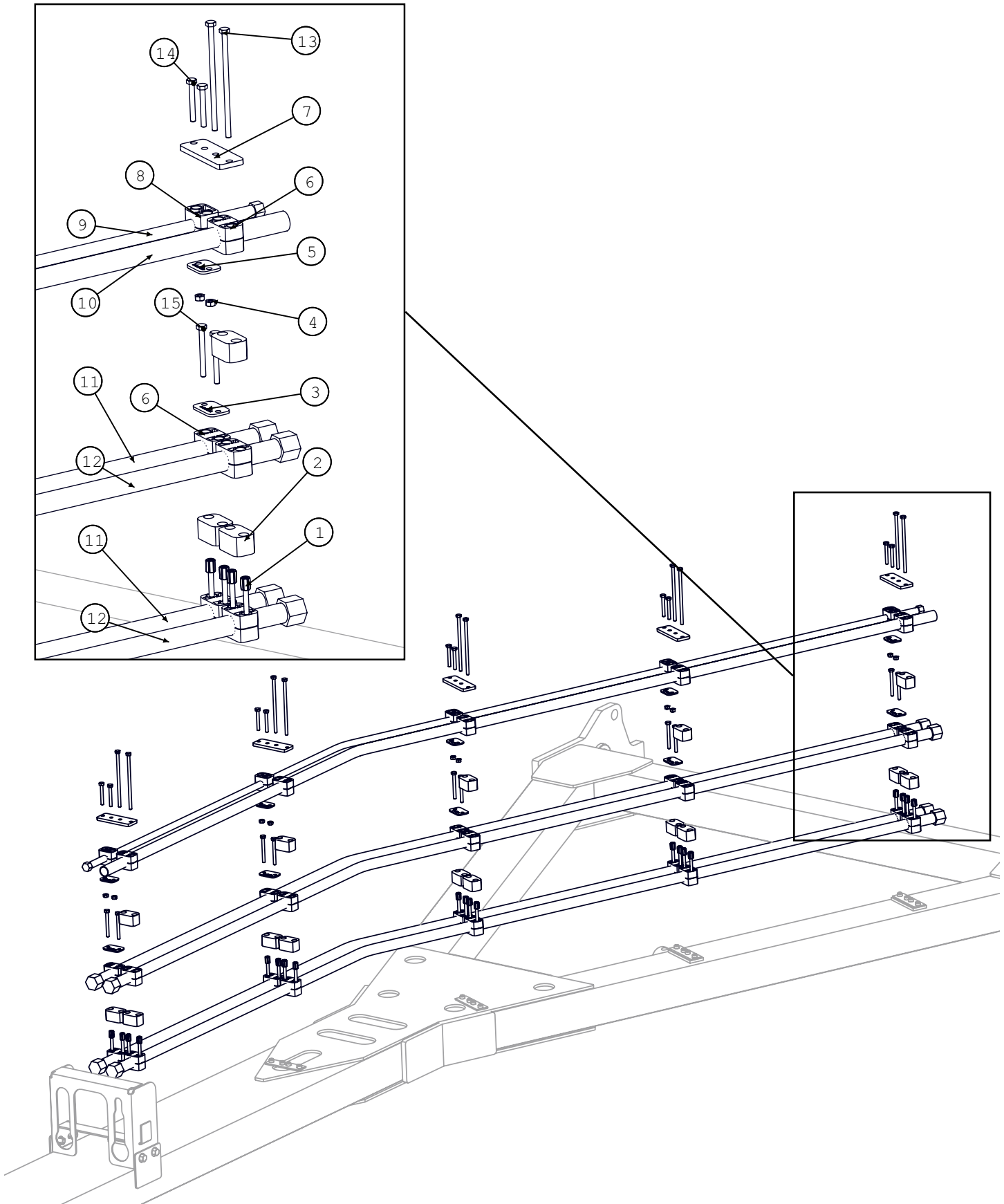
Hitch



Model JB510 Single Pass Round Bale System
For Serial Numbers 14001-14999

HITCH			
BOM ID	Part No.	Qty	Description
NS	PS99632	1	COMPLETE SPRB DRAWBAR WITH HOSES
1	1309951	1	DRAWBAR, HOSE RETAINER
2	MC-154261	1	PIN, LYNCH 3/16 DIA (RIED SUPPLY #CLP-580)
3	122.010.025	4	BOLT,HX,FL,CL10.9 M10
4	1309941	1	HOSE STORAGE
5	123.01	4	NUT,HX,FL,CL10 M10
6	1316951	1	HOSE CONTAINMENT
7	144.010.038	2	PIN,HITCH,CLIP 1/8" X 5/8" EYE DIA X 2-3/8" LENGTH
8	10041.12.00176	1	RND,1018,CD 3/4X11
9	123.008	2	NUT,HX,FL,CL10 M8
10	128.016	4	NUT,HX,FL,STV,CL10 M16
11	MC-152641	1	PINTLE RING, BOLT ON, HOLLAND #DB-060FQ1
12	122.016.060	4	BOLT,HX,FL,CL10.9 M16
13	128.01	1	NUT,HX,FL,STV,CL10 M10
14	155216	1	D-SHACKLE, 5/16 OD, GALVANIZED (McMaster 3561T12 or equal)
15	MC-149911	1	CHAIN ASM, 3/8" X 35" SAFETY W/3/8 CLEVIS SLIP HOOK W/SAFETY
16	1309661	1	DRAWBAR,
17	122.008.020	2	BOLT,HX,FL,CL10.9 M8

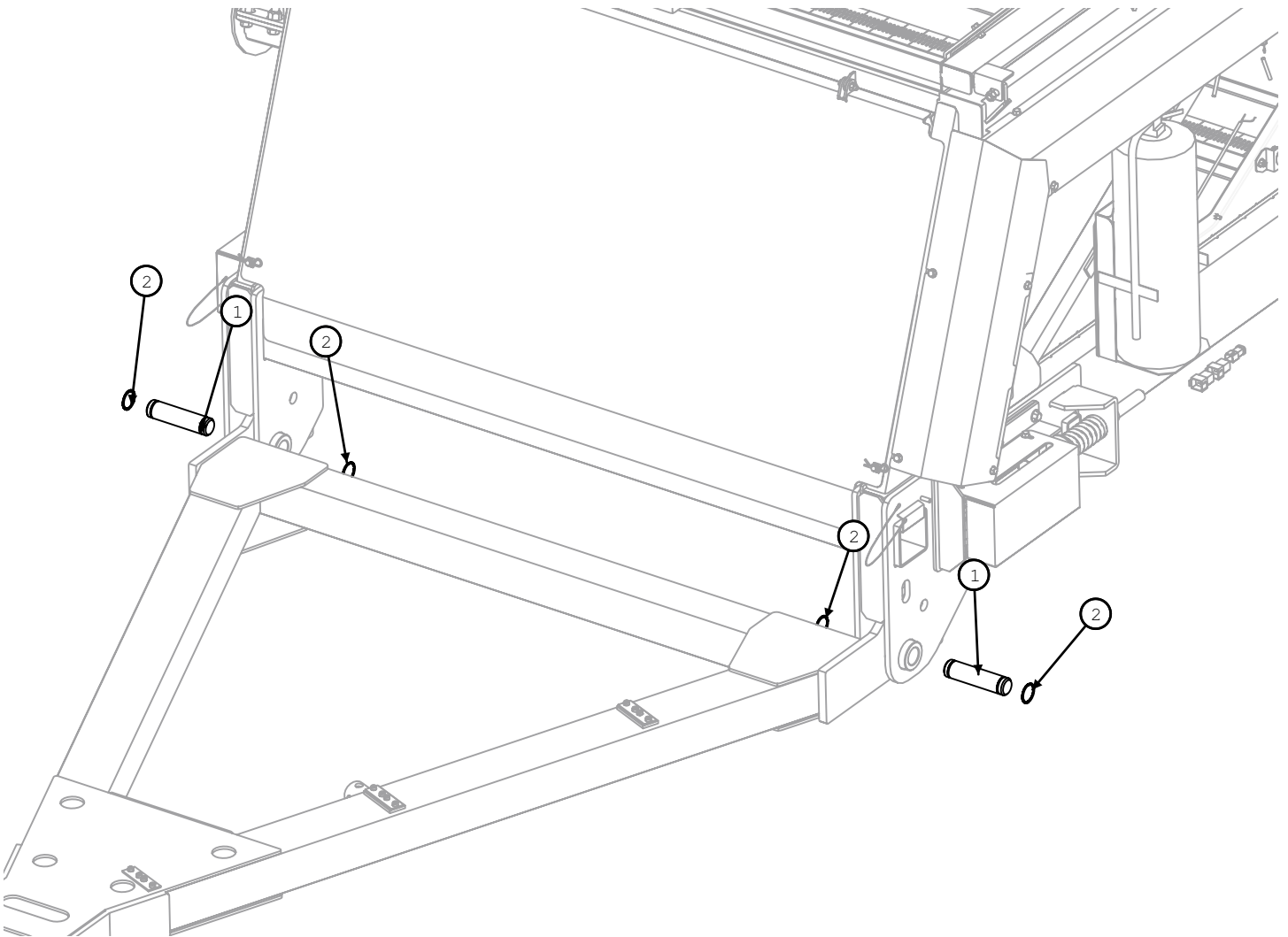
Hitch Hydraulic Lines



Model JB510 Single Pass Round Bale System
For Serial Numbers 14001-14999

HITCH HYDRAULIC LINES			
BOM ID	Part No.	Qty	Description
1	155224	20	STACKING BOLT (BEHRINGER ST-STB-02-Z)
2	1317552	15	SPACER, HARDLINE
3	155202	5	COVER PLATE, BEHRINGER #ST-COP-03-Z
4	103.004	10	NUT,HX,GR5 1/4-20
5	155225	5	COVER PLATE, BEHRINGER #ST-COP-02-Z
6	155200	25	CLAMP PAIR (BEHRINGER ST-CLH-03-P-100)
7	1317571	5	COVER PLATE,
8	155226	5	CLAMP PAIR, ST-CLH-02-P-062
9	1317521	1	OT, PRT, LOW PRESSURE 5/8" OD STEEL
10	1317531	1	OT, PRT, CONDUIT 1" OD STEEL
11	1317501	2	HIGH PRESSURE 1"OD STAINLESS
12	1317511	2	OT, PRT, LOW PRESSURE 1"OD STEEL
13	101.004.088	10	BOLT, HX, GR5 1/4-20 X 5-1/2
14	101.004.032	10	BOLT, HX, GR5 1/4-20 X 2
15	101.004.040	10	BOLT, HX, GR5 1/4-20 X 2-1/2

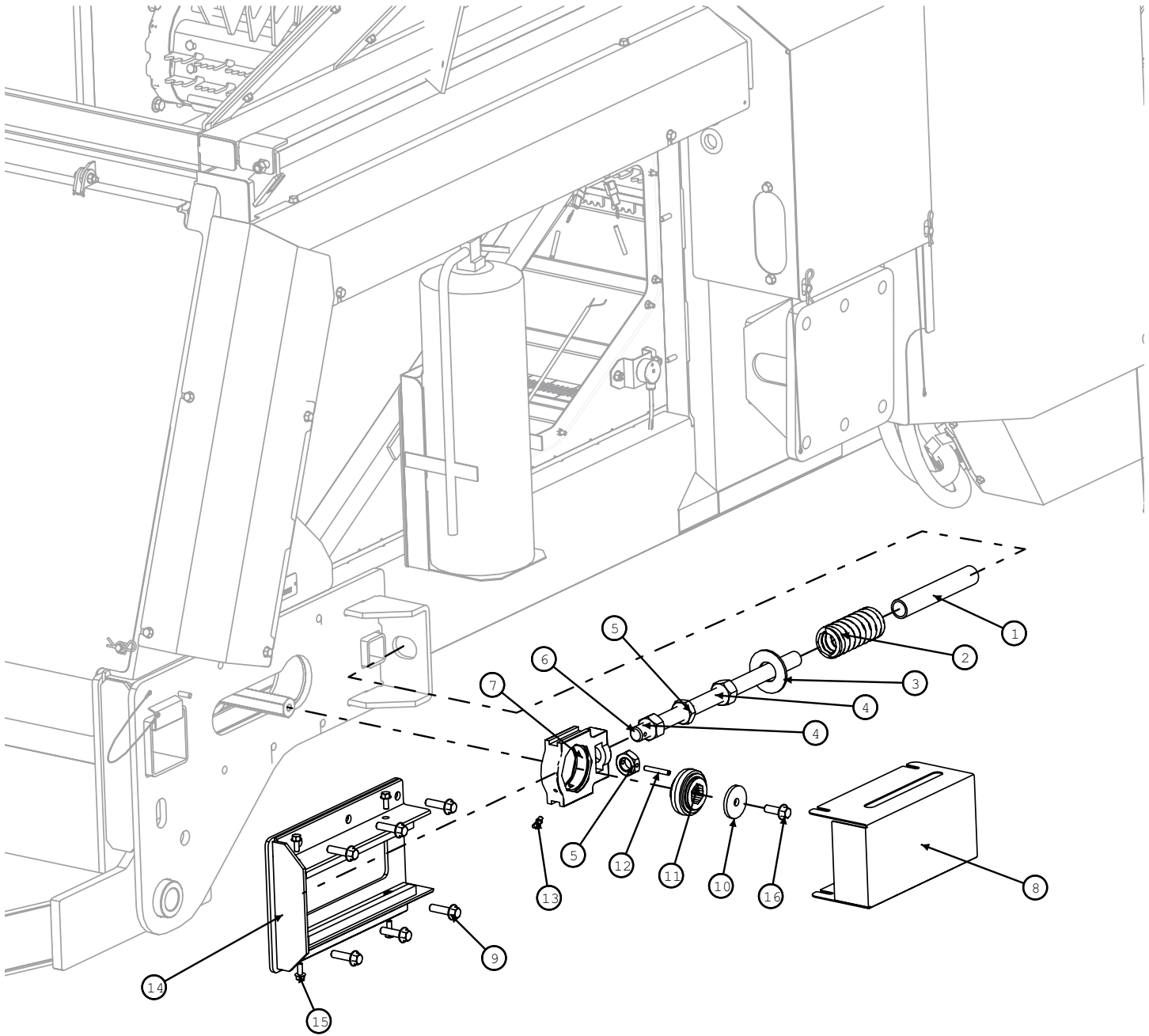
Tongue Pins



TONGUE PINS			
BOM ID	Part No.	Qty	Description
1	1303643	2	SPB PIN, DRAWBAR PIVOT
2	155256	4	SNAP RING, 1.5in EXTERNAL, (McMaster #98585A133 or equal)

Model JB510 Single Pass Round Bale System
For Serial Numbers 14001-14999

Conveyor Tensioner



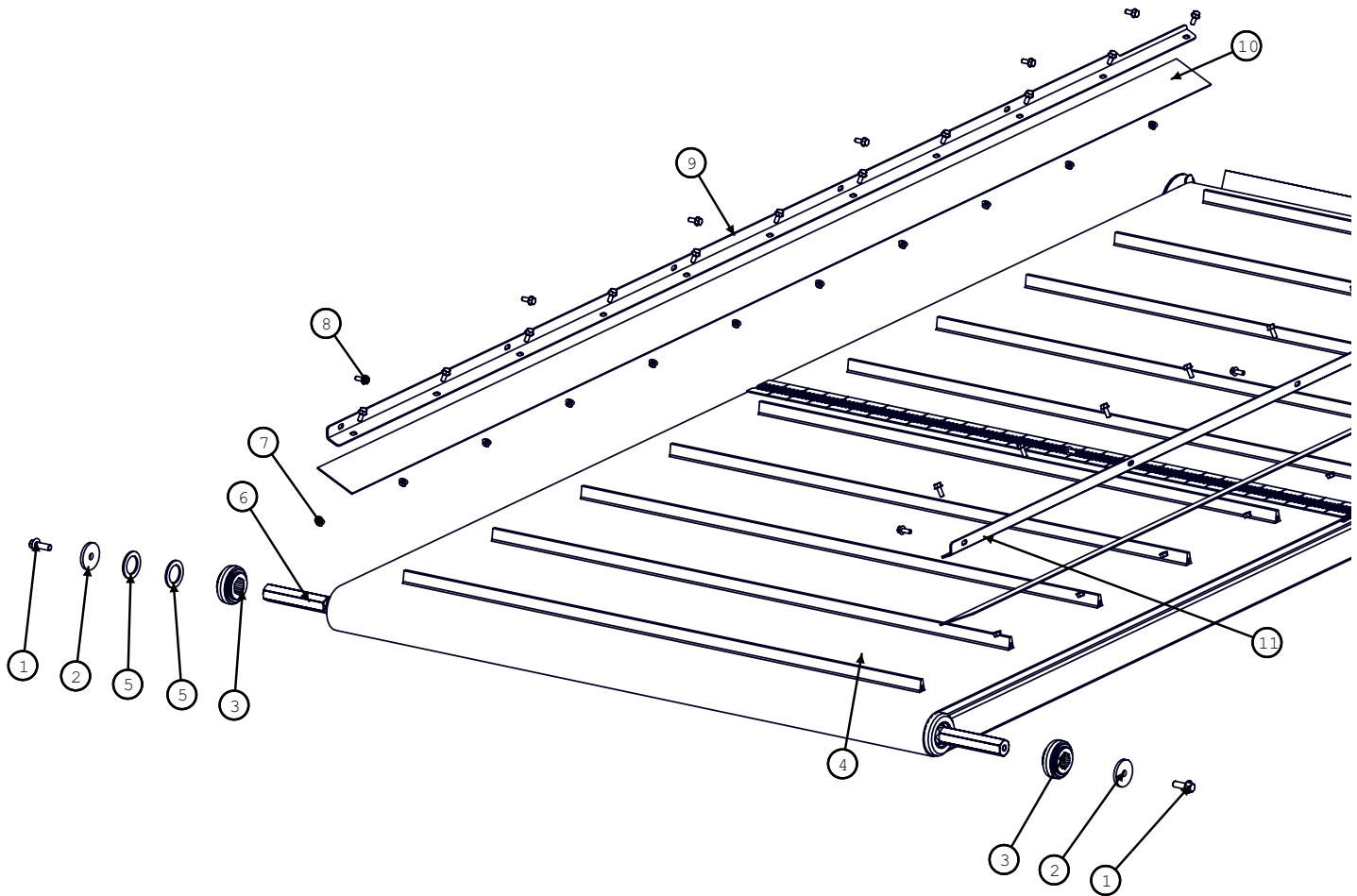
Model JB510 Single Pass Round Bale System
For Serial Numbers 14001-14999

**Left side shown, right side the same.*

CONVEYOR TENSIONER			
BOM ID	Part No.	Qty	Description
1	LS-308241	1	SPB PIPE, TAKEUP SPRING GUIDE
2	MC-154191	1	SPRING, COMPRESSION, CENTURY #73060
3	F-FW-20	1	FW 1-1/4
4	104.016	2	NUT,HX,GR8 1-8
5	174.016	2	NUT,HX,JAM,GR5 1-8
6	10070.16.00288	1	ALLTHREAD,GRB7 1-8X18
7	MC-153981	1	TAKEUP HOUSING (TURNER UCST208 24 OR EQUAL)
8	1308621	1	COVER, TAKEUP
9	122.012.045	7	BOLT,HX,FL,CL10.9 M12 X 45
10	155184	1	WASHER, 1/2" ID X 2-1/4" OD,
11	MC-153991	1	HEX BEARING INSERT (TURNER W208PPB16 OR EQUAL)
12	140.004.032	1	PIN,ROLL 1/4X2
13	141931	1	1/4/2028
14	LW-308132	1	SPB WLD, FRAME, TAKEUP BEARING
15	122.008.020	4	BOLT,HX,FL,CL10.9 M8 X 20
16	122.012.035	7	BOLT,HX,FL,CL10.9 M12 X 35

Model JB510 Single Pass Round Bale System
For Serial Numbers 14001-14999

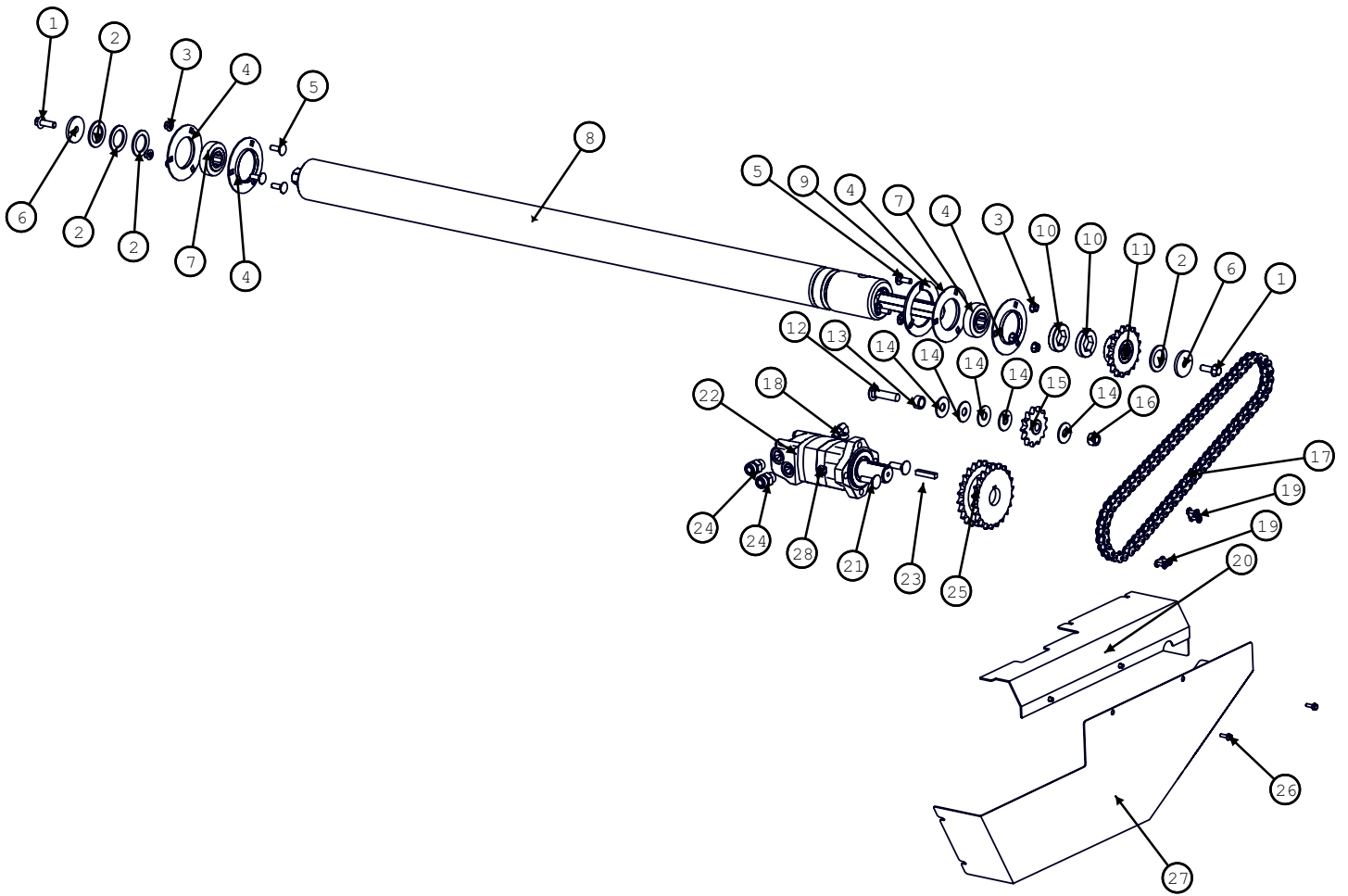
Conveyor



CONVEYOR			
BOM ID	Part No.	Qty	Description
1	122.012.035	2	BOLT,HX,FL,CL10.9 M12 X 35
2	155184	2	WASHER, 1/2" ID X 2-1/4" OD,
3	MC-153991	2	HEX BEARING INSERT (TURNER W208PPB16 OR EQUAL)
4	LA-308211	1	SPB BELT, CONVEYOR W/ V-GUIDE (INCLUDES 154081)
NS	1319891	1	SPRB BELT EXTENSION (FOR EXTENDED PICKUP DESIGN)
NS	154081	1	ALLIGATOR STAPLE LACE AND WIRE
5	162.010.024	2	BUSHING,MACH,NR
6	1303473	1	CONVEYOR ROLLER,
7	123.008	22	NUT,HX,FL,CL10 M8
8	122.008.020	34	BOLT,HX,FL,CL10.9 M8 X 20
9	1304082	1	SKIRT MOUNT,
10	LP-304091	2	SPB SHT, CONVEYOR SKIRT
11	1316432	1	SKIRT MOUNT,

Model JB510 Single Pass Round Bale System
For Serial Numbers 14001-14999

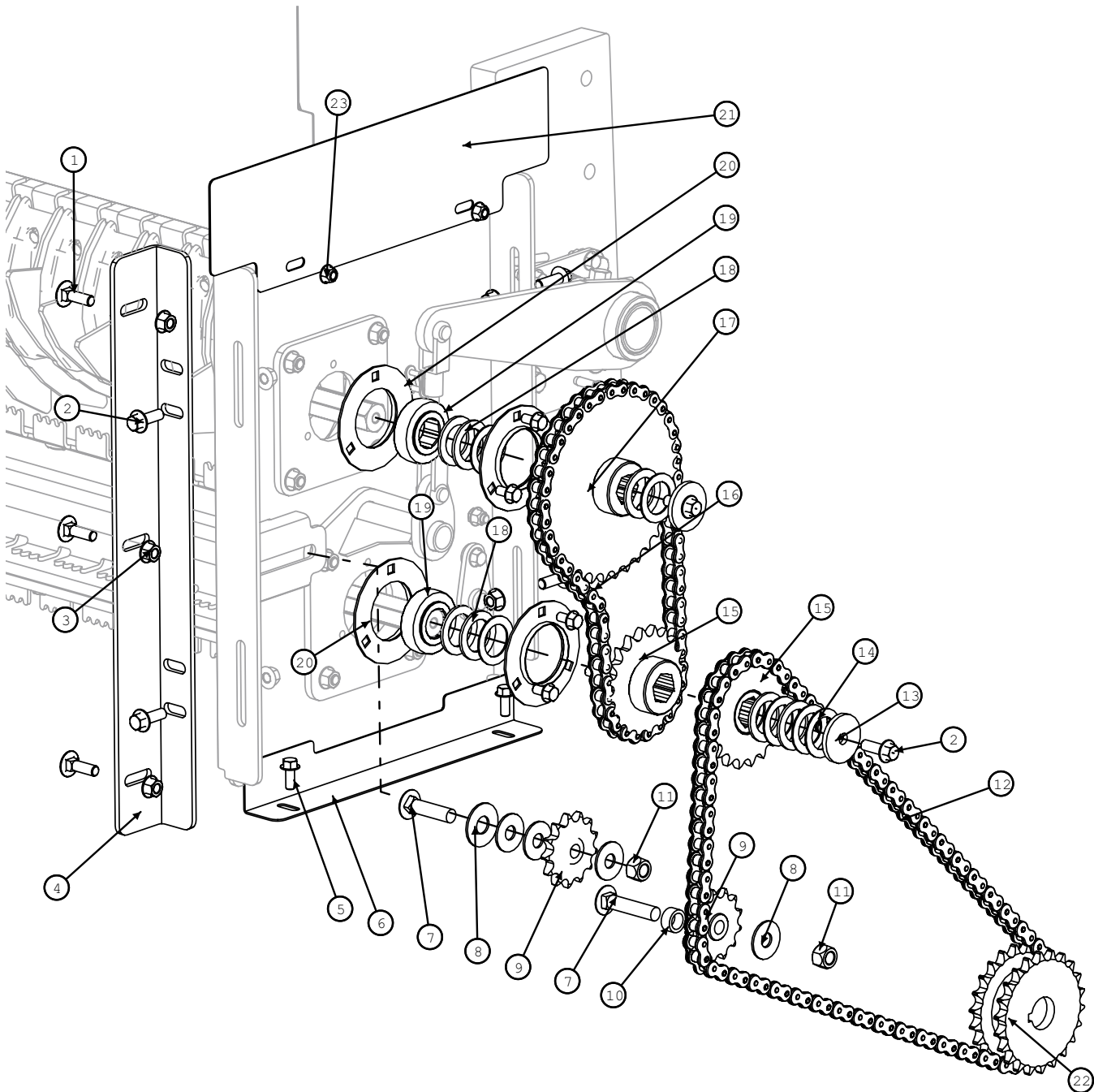
Conveyor Drive



Model JB510 Single Pass Round Bale System
For Serial Numbers 14001-14999

CONVEYOR DRIVE			
BOM ID	Part No.	Qty	Description
1	122.012.035	2	BOLT,HX,FL,CL10.9 M12X35
2	162.010.024	4	BUSHING,MACH,NR
3	123.01	6	NUT,HX,FL,CL10 M10
4	MC-101339 HALF	4	FLANGETTE, ROUND BEARING
5	198.010.030	6	BOLT,CARR,CL10.9 M10X30
6	155184	2	WASHER, 1/2" ID X 2-1/4" OD,
7	MC-153131	2	BEARING, 1-1/4 HEX (TIMKEN 207KRRB17 OR EQUAL)
8	1316292	1	CONVEYOR ROLLER, REAR
9	LP-263111	1	TM SPACER, BEATER BEARING
10	MC-154161	2	CLAMPING COLLAR 1-1/4 HEX
11	155195	1	WELDASPROCKET 60 PITCH, 17 TOOTH, 1-1/4 HEX HUB
12	108	1	BOLT,CARR,GR8 3/4-10X5
13	LS-309081	1	SPB PIPE, TENSIONER OFFSET
14	105	5	WASHER,FLT 5/8
15	MC-153201	1	IDLER SPROCKET, 13T 60P (G&G 06013E10)
16	202.01	1	NUT,HX,STV,GR5 5/8-11
17	10068.073	1	CHAIN,60P, 73 PITCHES
18	1003.04.06	1	HA,90°
19	139361	2	LINK,CONNECTING,60P
20	1315341	1	FEED SHIELD MOUNT
21	198.012.040	2	BOLT,CARR,CL10.9 M12X56
22	155191	1	4000 SERIES COMPACT MOTOR
23	10049.06.00032	1	SQ,1018,CD 3/8X2
24	1001.10.10	2	HA,STR
25	155194	1	SPROCKET, DOUBLE-SINGLE, 60 PITCH, 22 TOOTH
26	122.006.020	2	BOLT,HX,FL,CL10.9 M6
27	1305001	1	SHIELD, CONVEYOR DRIVE 2
28	126.012	2	NUT,HX,STV,CL10 M12

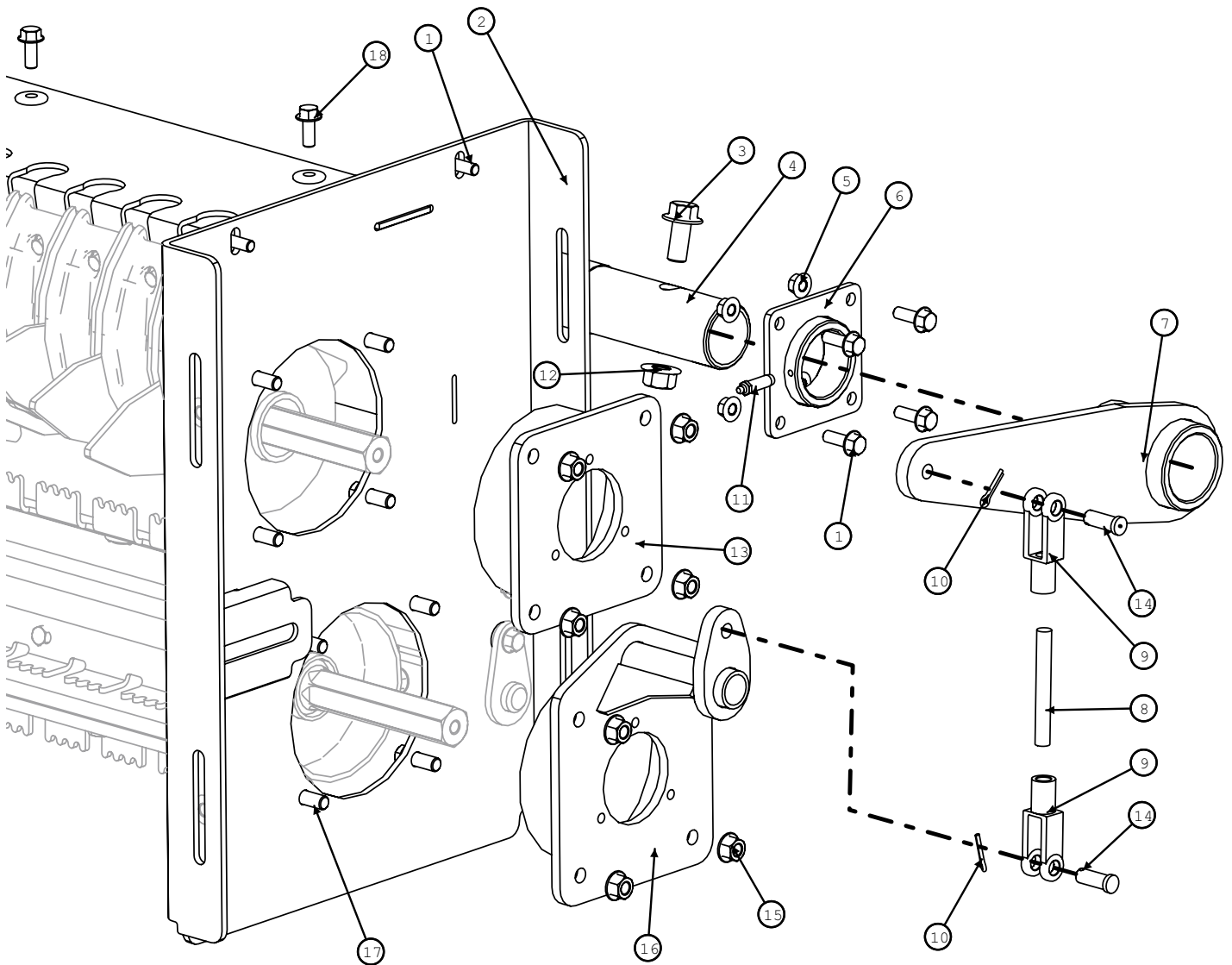
Feed Roll Drive



Model JB510 Single Pass Round Bale System
For Serial Numbers 14001-14999

FEED ROLL DRIVE			
BOM ID	Part No.	Qty	Description
1	198.012.040	3	BOLT,CARR,CL10.9 M12X56
2	122.012.035	6	BOLT,HX,FL,CL10.9 M12X35
3	123.012	5	NUT,HX,FL,CL10 M12
4	1308591	1	SEAL, FEED SYSTEM
5	122.010.02	8	BOLT,HX,FL,CL10.9 M10
6	1308601	1	SEAL, LOWER FEED SYSTEM
7	108.010.04	2	BOLT,CARR,GR8
8	105.01	6	WASHER,FLT
9	MC-153201	2	IDLER SPROCKET, 13T 60P (G&G 06013E10)
10	LS-309081	1	SPB PIPE, TENSIONER OFFSET
11	202.01	2	NUT,HX,STV,GR5 5/8-11
12	10068.093	1	CHAIN,60P, 93 PITCHES
13	155184	2	WASHER, 1/2" ID X 2-1/4" OD,
14	162.014.024	6	BUSHING,MACH,NR
15	LW-304401	2	SPB SPROCKET, 60P 20 TOOTH
16	10068.056	1	CHAIN,60P, 56 PITCHES
17	LW-304391	1	SPB SPROCKET, 60P 36 TOOTH
18	162.010.024	7	BUSHING,MACH,NR
19	MC-153131	2	BEARING, 1-1/4 HEX (TIMKEN 207KRRB17 OR EQUAL)
20	MC-101339	4	FLANGETTE, ROUND BEARING
21	LP-308611	1	SPB SHT, SEAL UPPER FEED SYSTEM
22	155194	1	SPROCKET, DOUBLE-SINGLE, 60 PITCH, 22 TOOTH
23	128.01	2	NUT,HX,FL,STV,CL10 M10

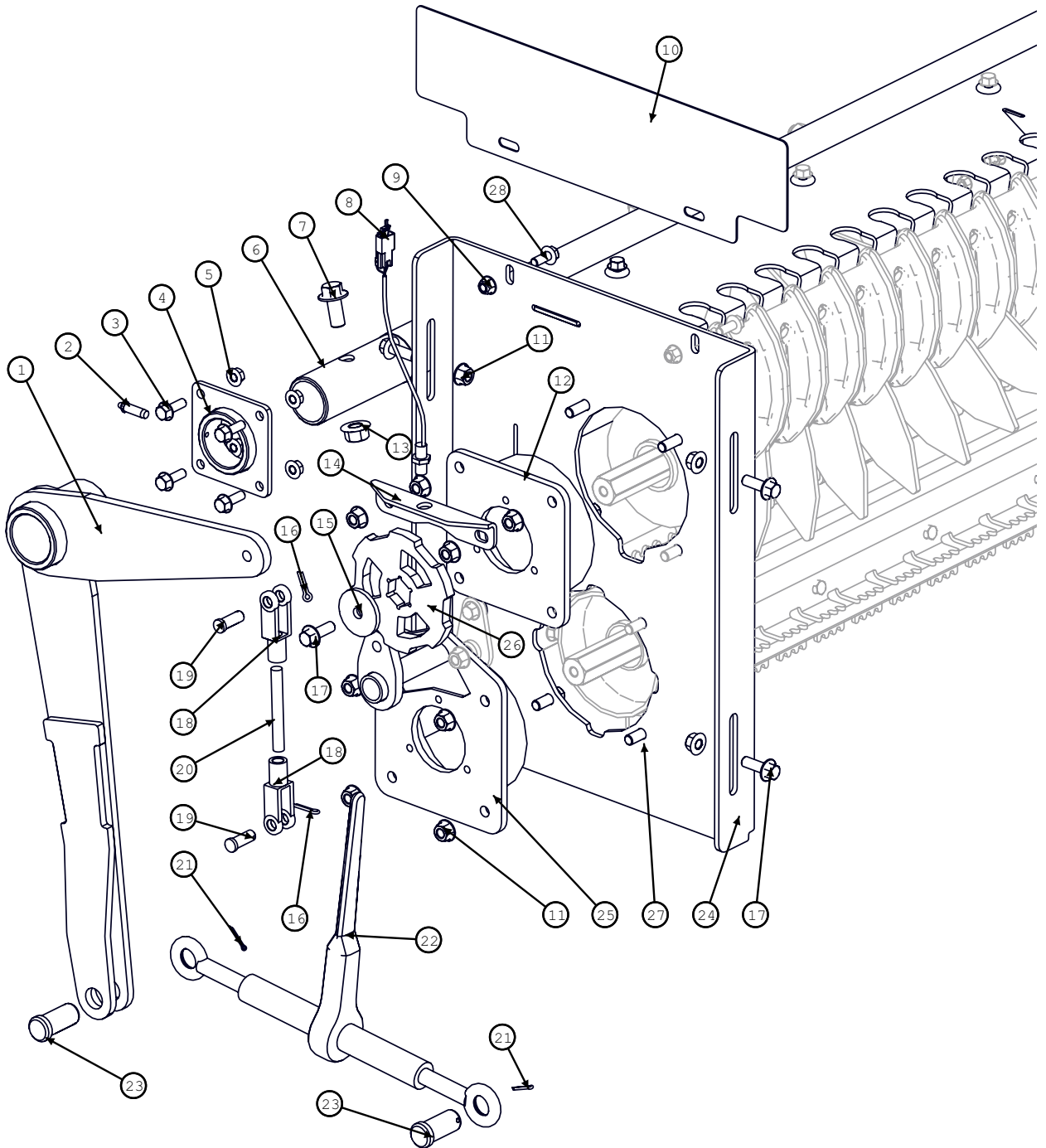
Feed Roll Adjustment - Left



Model JB510 Single Pass Round Bale System
For Serial Numbers 14001-14999

FEED ROLL ADJUSTMENT LEFT			
BOM ID	Part No.	Qty	Description
1	122.010.030	6	BOLT,HX,FL,CL10.9 M10 X 30
2	1304102	1	FRAME,
3	122.016	1	BOLT,HX,FL,CL10.9 M16
4	1315262	1	FEED SYSTEM TUBE
5	123.01	4	NUT,HX,FL,CL10 M10
6	1308641	1	BUSHING, FEED SYSTEM ROCKER
7	1308671	1	FEED SYTEM ROCKER, LEFT
8	F-AT5-08F80	1	ALL THREAD,B5 1/2-20 X 5" LONG - FINE THREAD
9	F-EYA-08C48	2	YOKE END, ADJUSTABLE 1/2 DIA X
10	F-PCT-02X16	2	COTTER PIN, 1/8X1, SQUARE CUT
11	155304	1	ZERK, GREASE 1/4-28 STR X 1-5/8
12	123.016	1	NUT,HX,FL,CL10 M16
13	1304282	1	SPB WLD, BEARING SHIELD
14	F-PCL-08X22	2	CLEVIS PIN 1/2 X 1-3/4
15	123.012	8	NUT,HX,FL,CL10 M12
16	1315281	1	HANGER,
17	122.012.030	8	BOLT,HX,FL,CL10.9 M12
18	122.010.025	4	BOLT,HX,FL,CL10.9 M10

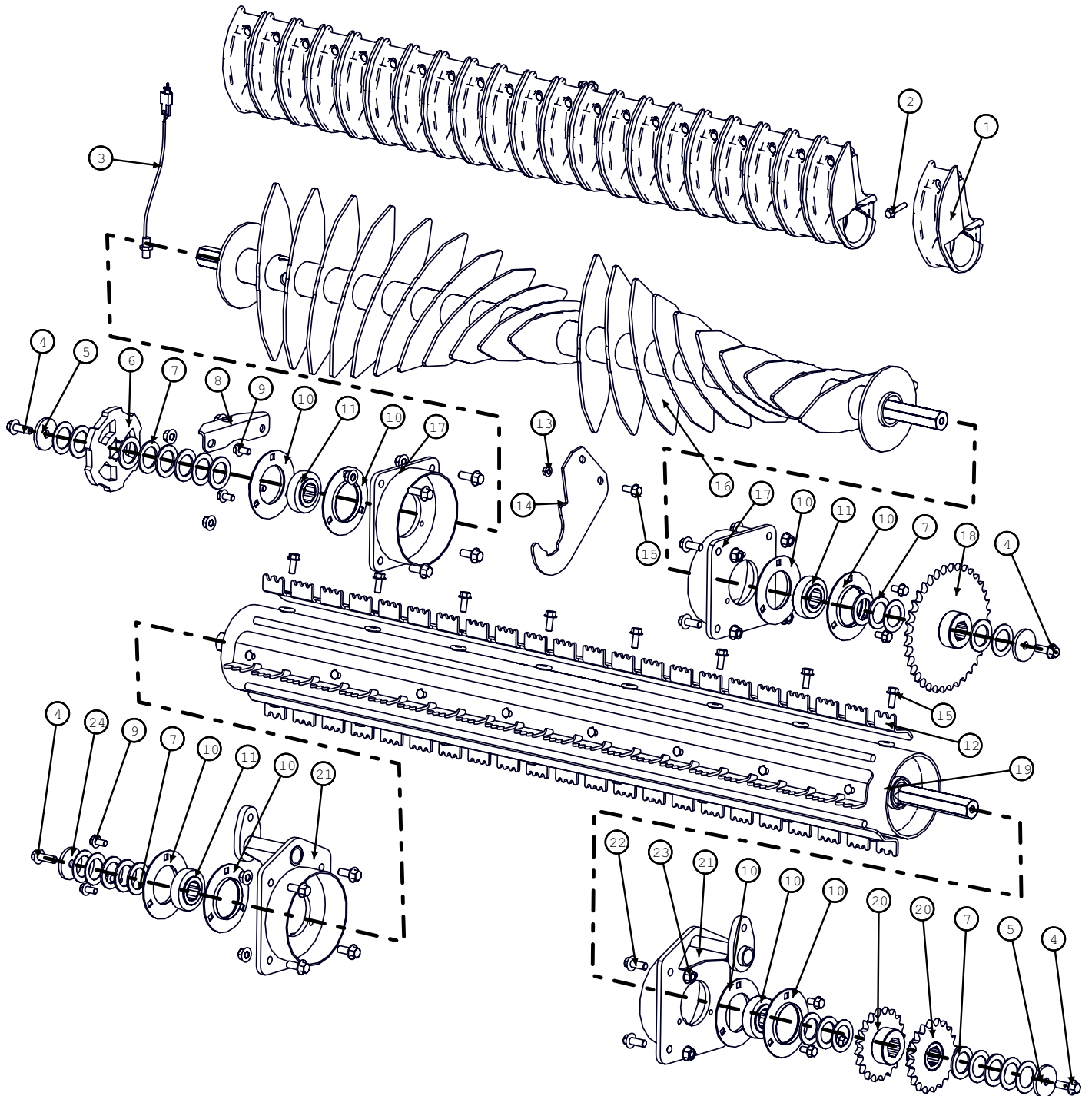
Feed Roll Adjustment - Right



Model JB510 Single Pass Round Bale System
For Serial Numbers 14001-14999

FEED ROLL ADJUSTMENT RIGHT			
BOM ID	Part No.	Qty	Description
1	1308701	1	FEED SYTEM ROCKER, RIGHT
2	155304	1	Default
3	122.010.030	4	BOLT,HX,FL,CL10.9 M10 X 30
4	1308641	1	BUSHING, FEED SYSTEM ROCKER
5	123.01	4	NUT,HX,FL,CL10 M10
6	1315262	1	FEED SYSTEM TUBE
7	122.016	1	BOLT,HX,FL,CL10.9 M16
8	1317971	1	SPEED SENSOR, INDUCTIVE
9	128.01	1	NUT,HX,FL,STV,CL10 M10
10	LP-308611	1	SPB SHT, SEAL UPPER FEED SYSTEM
11	123.012	12	NUT,HX,FL,CL10 M12
12	1304282	1	SPB WLD, BEARING SHIELD
13	123.016	1	NUT,HX,FL,CL10 M16
14	1317901	1	SENSOR MOUNT,
15	155184	1	WASHER, 1/2" ID X 2-1/4" OD,
16	F-PCT-02X16	2	COTTER PIN, 1/8X1, SQUARE CUT
17	122.012.035	6	BOLT,HX,FL,CL10.9 M12 X 35
18	F-EYA-08C48	2	YOKE END, ADJUSTABLE 1/2 DIA X
19	F-PCL-08X22	2	CLEVIS PIN 1/2 X 1-3/4
20	F-AT5-08F80	1	ALL THREAD,B5 1/2-20 X 5" LONG - FINE THREAD
21	142.002.014	2	PIN,COTTER 1/8X7/8
22	MC-154151	1	RATCHETING LOAD BINDER (DIXIE IND# PT48811)
23	141.016.032	2	PIN,CLEVIS 1IN x 2IN
24	1304102	1	FRAME,
25	1315281	1	HANGER,
26	1317631	1	TONE WHEEL, FEED MODULE
27	122.012.030	6	BOLT,HX,FL,CL10.9 M12 X 30
28	122.010.025	2	BOLT,HX,FL,CL10.9 M10 X 25

Feed Rolls

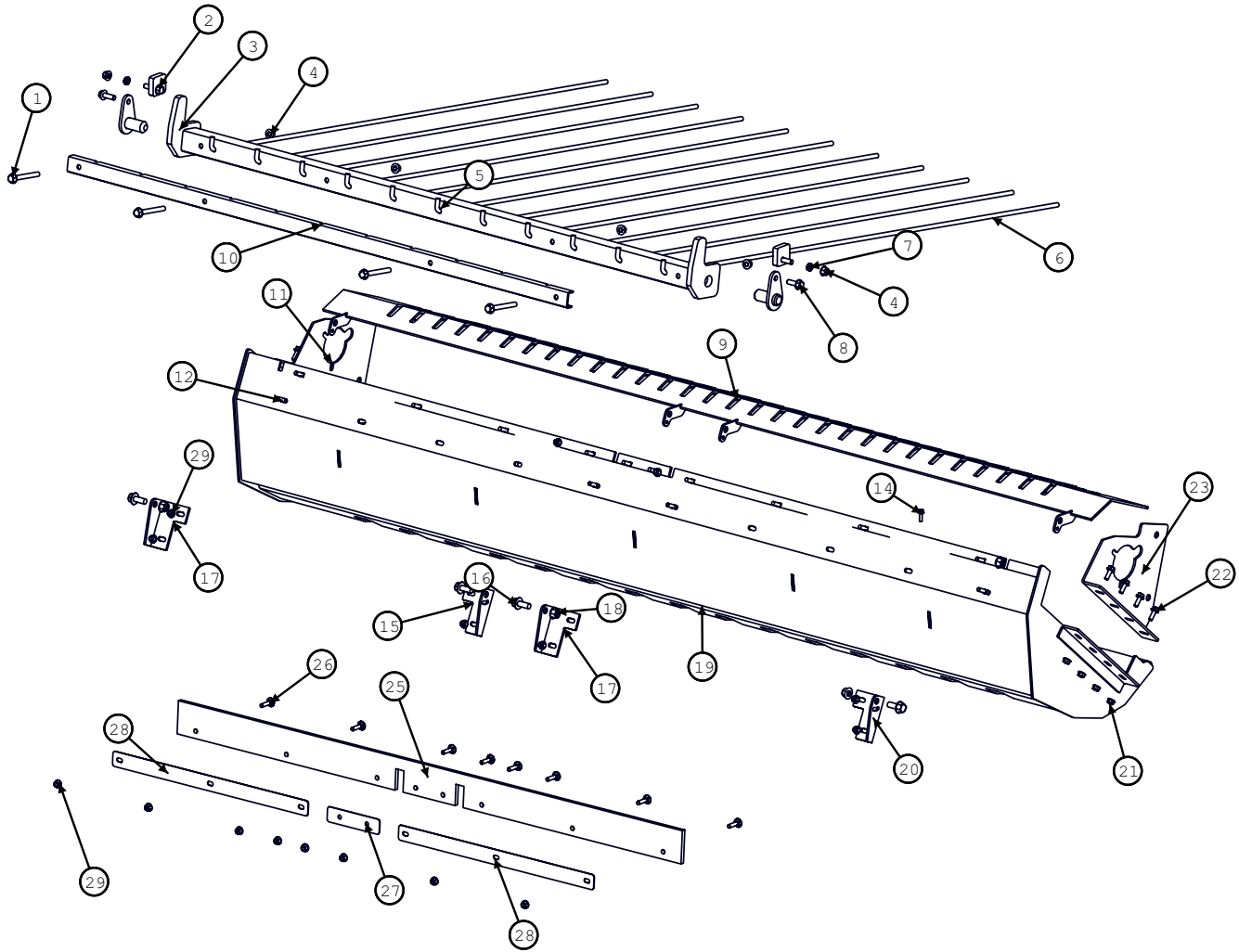


Model JB510 Single Pass Round Bale System
For Serial Numbers 14001-14999

FEED ROLLS			
BOM ID	Part No.	Qty	Description
1	MC-153171	22	STRIPPER, ROTARY FEEDER (JD# AE74364)
2	122.008.040	22	BOLT,HX,FL,CL10.9 M8 X 40
3	1317971	1	SPEED SENSOR, INDUCTIVE
4	122.012.035	6	BOLT,HX,FL,CL10.9 M12 X 35
5	155184	4	WASHER, 1/2" ID X 2-1/4" OD,
6	1317631	1	TONE WHEEL, FEED MODULE
7	162.010.024	16	BUSHING,MACH,NR
8	1317901	1	SENSOR MOUNT,
9	122.010.020	12	BOLT,HX,FL,CL10.9 M10 X 20
10	MC-101339 HALF	8	FLANGETTE, ROUND BEARING
11	MC-153131	4	BEARING, 1-1/4 HEX (TIMKEN 207KRRB17 OR EQUAL)
12	LB-305062	4	SPB SHT, FEED ROLLER SLAT
13	123.008	2	NUT,HX,FL,CL10 M8
14	LP-304381	1	SPB PLT, ROTARY FEED HANGER
15	122.010.025	34	BOLT,HX,FL,CL10.9 M10 X 25
16	1304242	1	ROTARY FEEDER
17	1304282	2	SPB WLD, BEARING SHIELD
18	LW-304391	1	SPB SPROCKET, 60P 36 TOOTH
19	1304202	1	FEED ROLLER
20	LW-304401	2	SPB SPROCKET, 60P 20 TOOTH
21	1315281	2	HANGER,
22	122.012.030	14	BOLT,HX,FL,CL10.9 M12 X 30
23	123.012	18	NUT,HX,FL,CL10 M12
24	162.014.024	10	BUSHING,MACH, 14 GUAGE, 1.5 IN INSIDE DIAMETER

Model JB510 Single Pass Round Bale System
For Serial Numbers 14001-14999

Baler Pickup

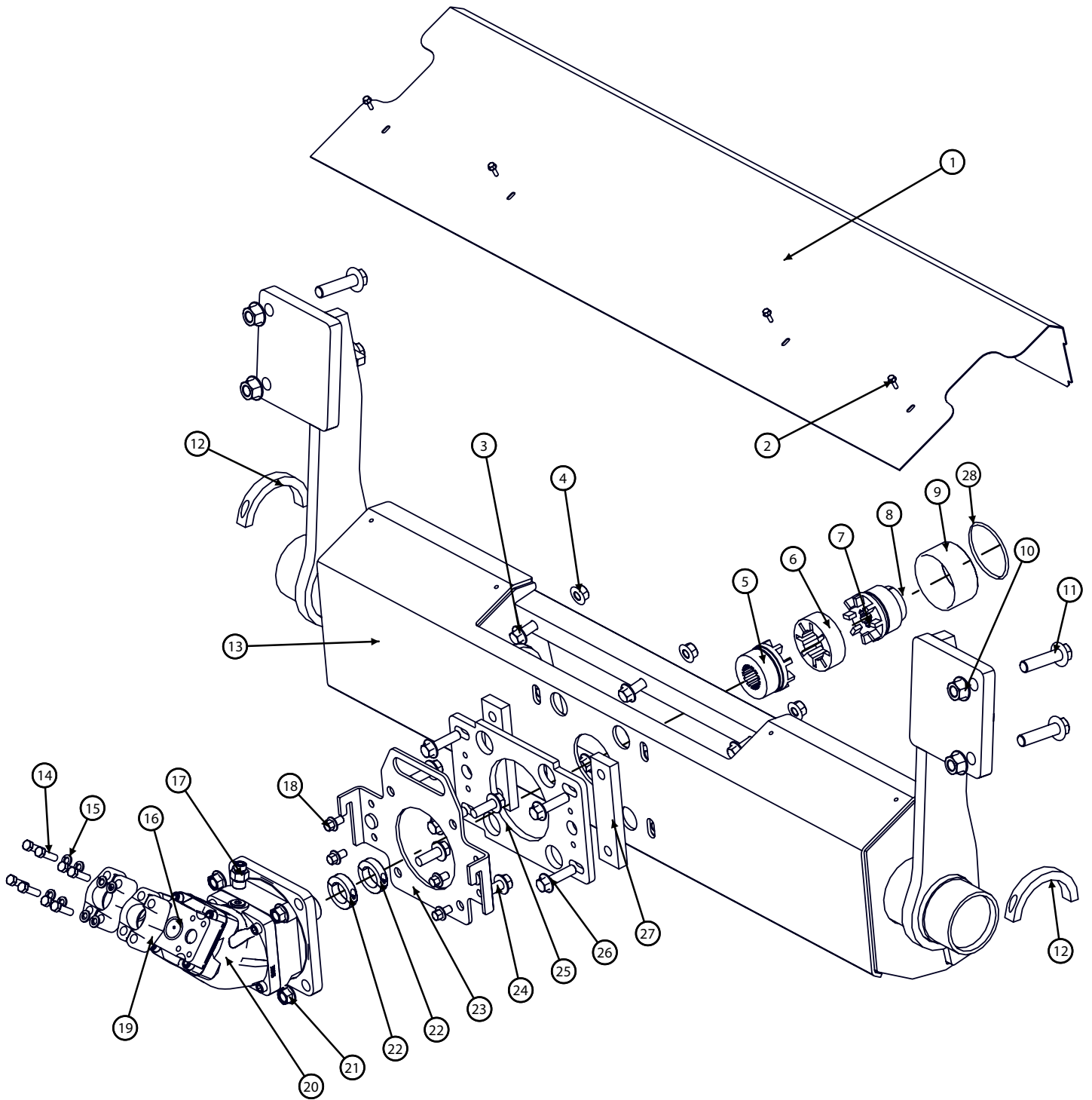


Model JB510 Single Pass Round Bale System
For Serial Numbers 14001-14999

BALER PICKUP			
BOM ID	Part No.	Qty	Description
1	122.010.090	4	BOLT,HX,FL,CL10.9 M10X90
2	1315791	1	STOP, WINDGUARD,
3	123.012	1	NUT,HX,FL,CL10 M12
4	128.01	6	NUT,HX,FL,STV,CL10 M10
5	1302142	1	WINDGUARD,
6	1316671	11	WINDGUARD ROD
7	199.01	2	NUT,HX,JAM,CL10 M10
8	122.010.030	2	BOLT,HX,FL,CL10.9 M10X30
9	1298501	1	PICKUP SHIELD
10	1316661	1	LOCK CHANNEL,
11	LB-298461	1	BU PLT, PICKUP SHIELD MNT RH
12	163.008.030	6	BOLT,CARR,CL8.8 M8X30
13	1315921	2	PIN,
14	122.006.020	1	BOLT,HX,FL,CL10.9 M6X20
15	1298571	1	PICKUP SHIELD, HINGE LH
16	F-HCF-12M030E	4	HEX CAP FLANGE, M12 X 30
17	LB-298561	2	BU PLT, PICKUP SHIELD, HINGE RH
18	F-HNFS-12ME	4	FLHN-10.9M12X1.75 STVR
19	LW-298381	1	BU WLD, PICKUP SHIELD, BOTTOM
20	1298571	1	PICKUP SHIELD, HINGE LH
21	F-HNF-08ME	8	HEX NUT FLANGE, M8
22	F-HCF-08M025E	8	FLHC-10.9M8X1.25X25
23	LB-298471	1	BU PLT, PICKUP SHIELD MNT LH
24	1315771	1	STOP, WINDGUARD,
25	LS-298611	1	BU BELT, PICKUP SHIELD
26	163.008.035	8	BOLT,CARR,CL8.8 M8X35
27	LP-298591	1	BU PLT, PICKUP SHIELD, BELT PLT SMALL
28	LP-298581	2	BU PLT, PICKUP SHIELD, BELT PLT LG
29	128.008	16	NUT,HX,FL,STV,CL10 M8

Model JB510 Single Pass Round Bale System
For Serial Numbers 14001-14999

Baler Drive

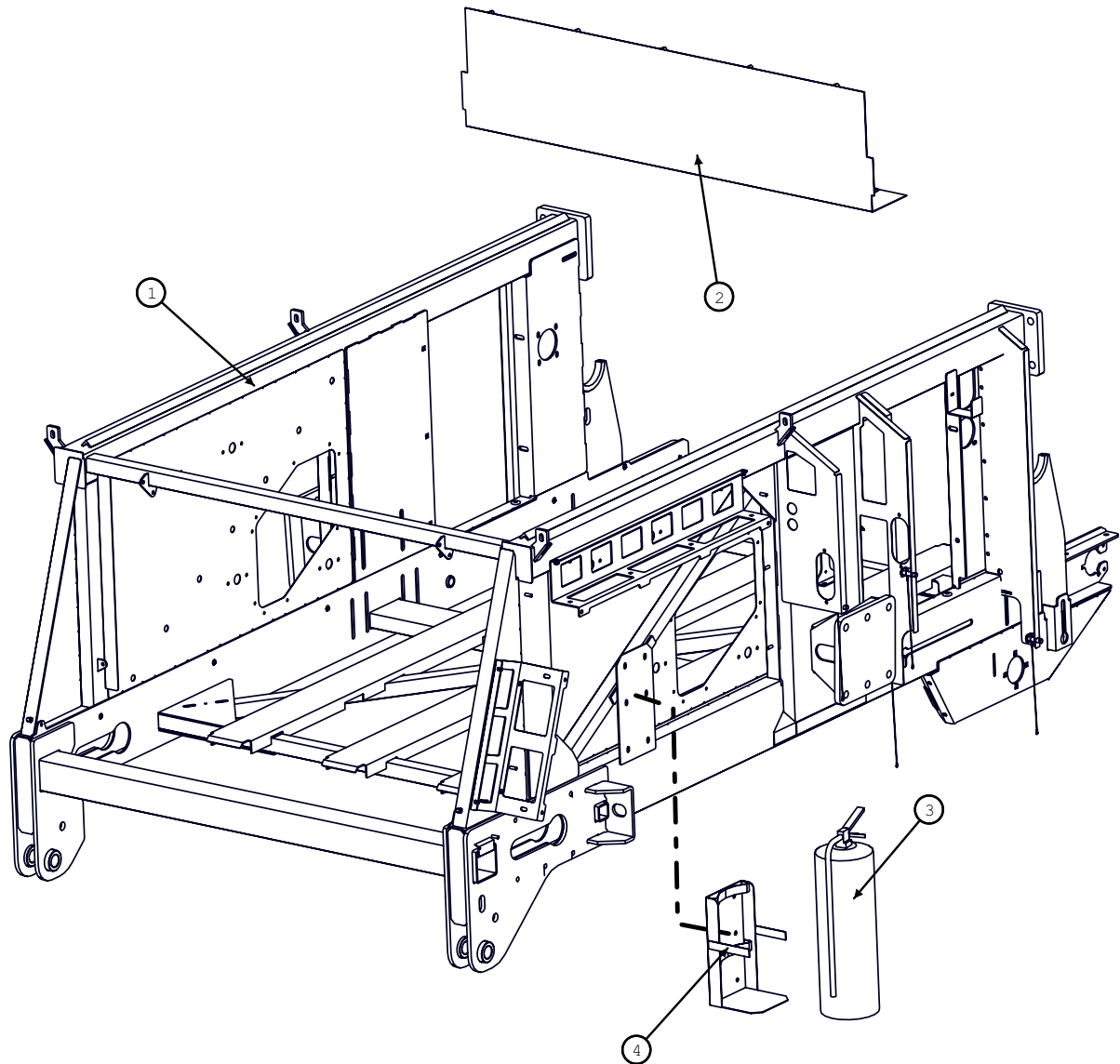


Model JB510 Single Pass Round Bale System
For Serial Numbers 14001-14999

BALER DRIVE			
BOM ID	Part No.	Qty	Description
1	1309121	1	SHIELD, 569 QUICK ATTACH
2	122.006.020	4	BOLT,HX,FL,CL10.9 M6X20
3	122.016.150	9	BOLT,HX,FL,CL10.9 M16 X 150
4	123.016	13	NUT,HX,FL,CL10 M16
5	MC-152831	1	COUPLER HALF, QF25, 13T 8/16 30° SPLINE
6	MC-152821	1	COUPLER INSERT, BLACK, QM #QF25INSERT
7	MC-152841	1	COUPLER HALF, QF25, BORED FOR P1 BUSHING
8	MC-152861	1	BUSHING, BROWNING P1, 1.375-6 SPLINE B
9	MC-152851	1	COUPLER COVER, QM #QF25COVER
10	123.02	4	NUT,HX,FL,CL10 M20
11	122.020.080	4	BOLT,HX,FL,CL10.9 M20 X 80
12	MC-152941	2	SPLIT COLLAR, 4-1/2 IN ID
13	1308901	1	QUICK ATTACH,
14	F-HC5-07C24	8	F-HC5-07C24
15	F-LWH-07	8	LW 7/16 HD
16	HC-147551	2	O-RING, CODE 62, 1"
17	HA-S-08MF10MO	1	ADAPTER, STRAIGHT, -08 MALE ORS x -10 MALE ORB
18	F-HCF-12M020E	4	MM FLHC-10.9 M12 X 1.75 X 20 Plated
19	HC-147601	4	FLANGE, 1" CODE 62, HALF
20	HC-152101	1	HYDROSTATIC MOTOR
21	F-HNF-16ME	4	FLHN-10.9M16X2.0
22	MC-154621	2	COLLAR, SPLIT CLAMPING, 1.5" BORE
23	LW-302571	1	SPB WLD, BALER MOTOR, MNT PLT
24	F-HCF-16M045E	4	HEX FLANGE BOLT (CLASS 10.9)
25	LM-302541	1	SPB PLT, BALER MOTOR MNT, SUBPLATE
26	122.016.060	4	BOLT, HX, FL, CL10.9, M16X60
27	LP-304881	2	SPB PLT, SPACER, BALER MOTOR

Model JB510 Single Pass Round Bale System
For Serial Numbers 14001-14999

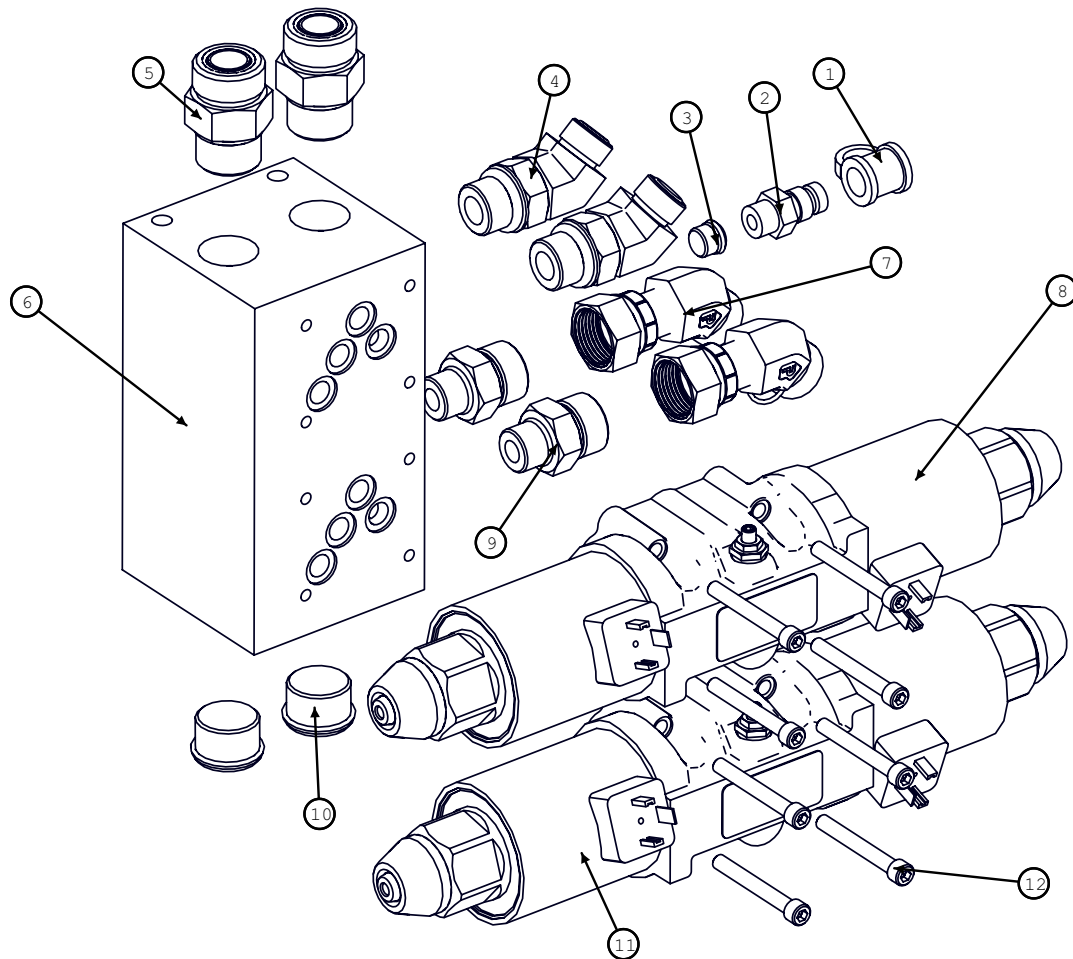
Chassis



CHASSIS			
BOM ID	Part No.	Qty	Description
1	1301332	1	SPRB FRAME
2	1314451	1	FEED SYSTEM WALL
3	MC-154751	1	FIRE EXTINGUISHER, 2.5 GALLON. OXARC #A240
4	MC-154761	1	BRACKET, FIRE EXTINGUISHER, OXARC #A810

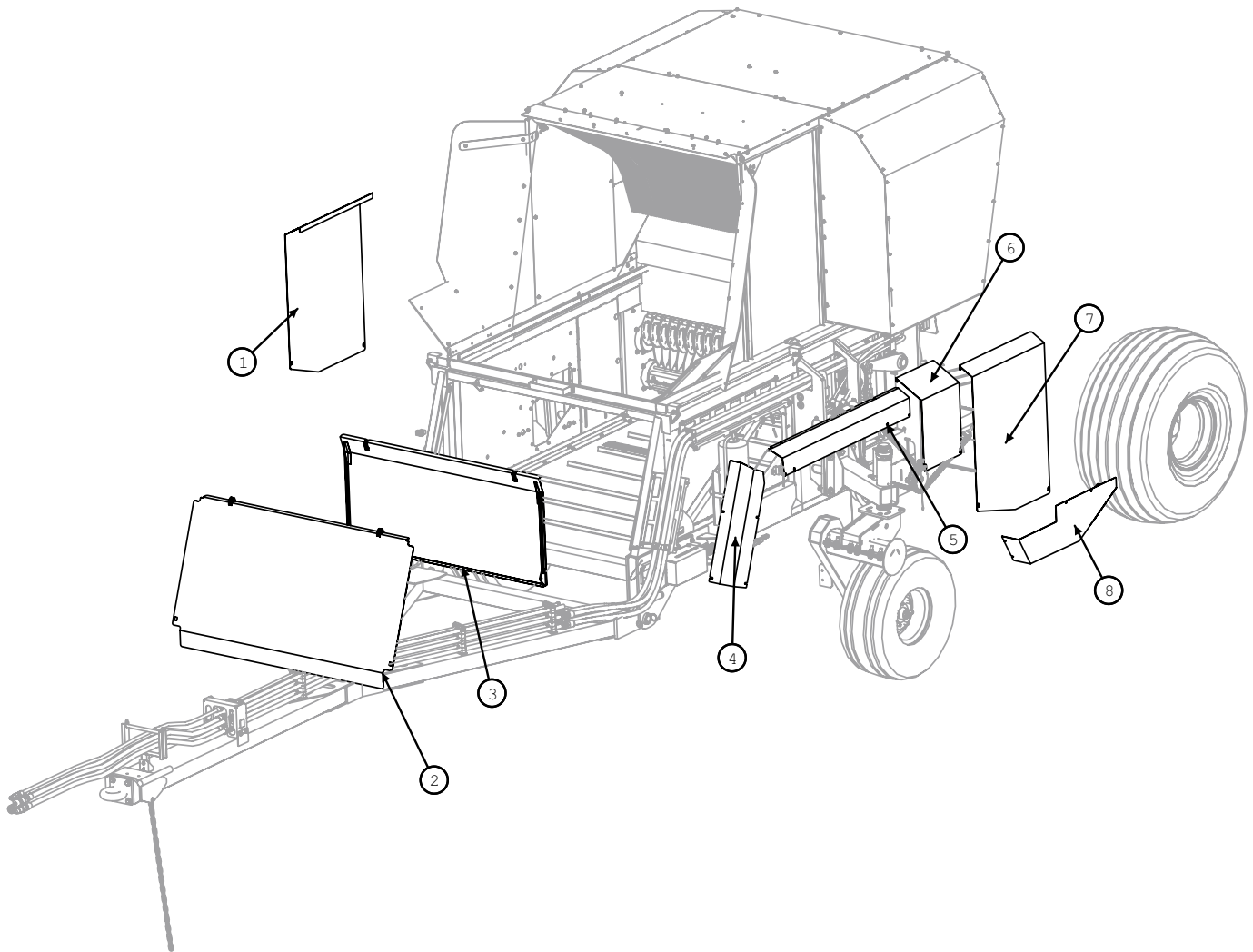
Model JB510 Single Pass Round Bale System
For Serial Numbers 14001-14999

Feed System Control



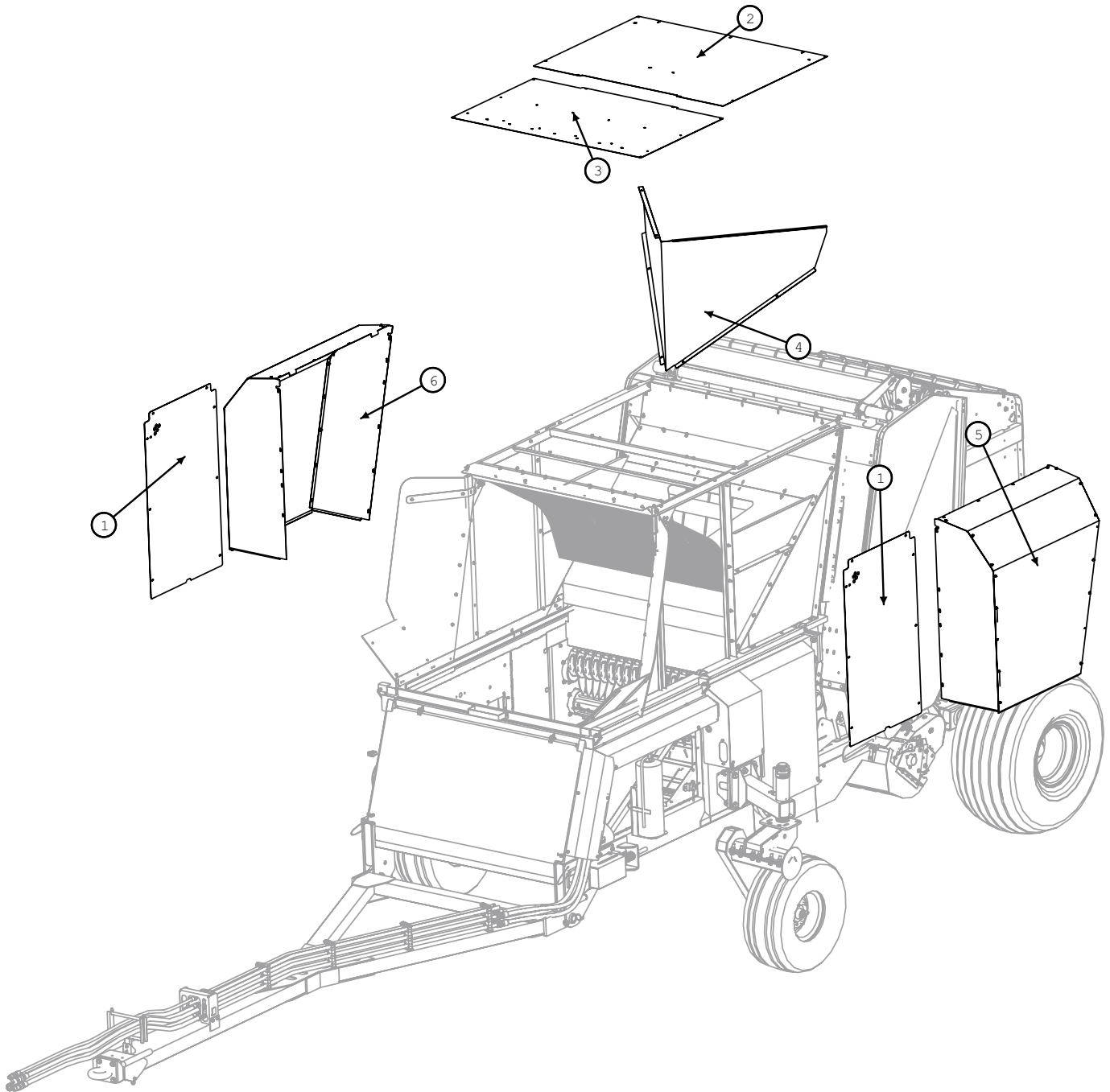
FEED SYSTEM CONTROL			
BOM ID	Part No.	Qty	Description
1-12	1299622		SPRUB HYDRAULIC MANIFOLD
1	144001	1	DUST COVER
2	HC-143991	1	COUPLER, QUICK-CONNECT HYD
3	HA-E-06MO	1	-6 ZERO LEAK PLUG
4	1002.08.08	2	HA,45° -8MORB X -8MORFS
5	HA-S-12MF12MO	2	#12MORB X #12MORS STRAIGHT
6	HC-152351	1	MANIFOLD, DO5, 2 STATION, DAMAN AD05P023S
7	HA-F-10MF10FF	2	ELBOW, 45°, SWIVEL NUT -10MF-10FF
8	HC-154701	1	DIRECTIONAL VALVE, CYL, 3 POS 4 WAY, ARGO HYTOS RPE4-103Z11/01200E10B
NS	100338	1	O-RING KIT (INCLUDES 4 HC-143971 3/8ID, 1/2OD, 1/16 CS, 70 DURO ORINGS)
9	HA-S-10MF08MO	2	-10 MALE ORS x -08 MALE ORB
10	HA-E-12MO	2	-12 ZERO LEAK PLUG
11	HC-154711	1	DIRECTIONAL VALVE, CYL, 3 POS 4 WAY, ARGO HYTOS RPE4-103Y11/01200E10B

Accumulator Shields



ACCUMULATOR SHIELDS			
BOM ID	Part No.	Qty	Description
1	1305033	1	LARGE SHIELD, RIGHT
2	1308451	1	FRONT COVER
3	LW-308391	1	SPB WLD, FRONT WALL
4	1304971	1	SHIELD,
5	1304961	1	SHIELD,
6	LB-304952	1	SPB PTL, SHIELD, FS CONTROL VALVE
7	1304983	1	LARGE SHIELD,
8	1305001	1	SHIELD, CONVEYOR DRIVE 2

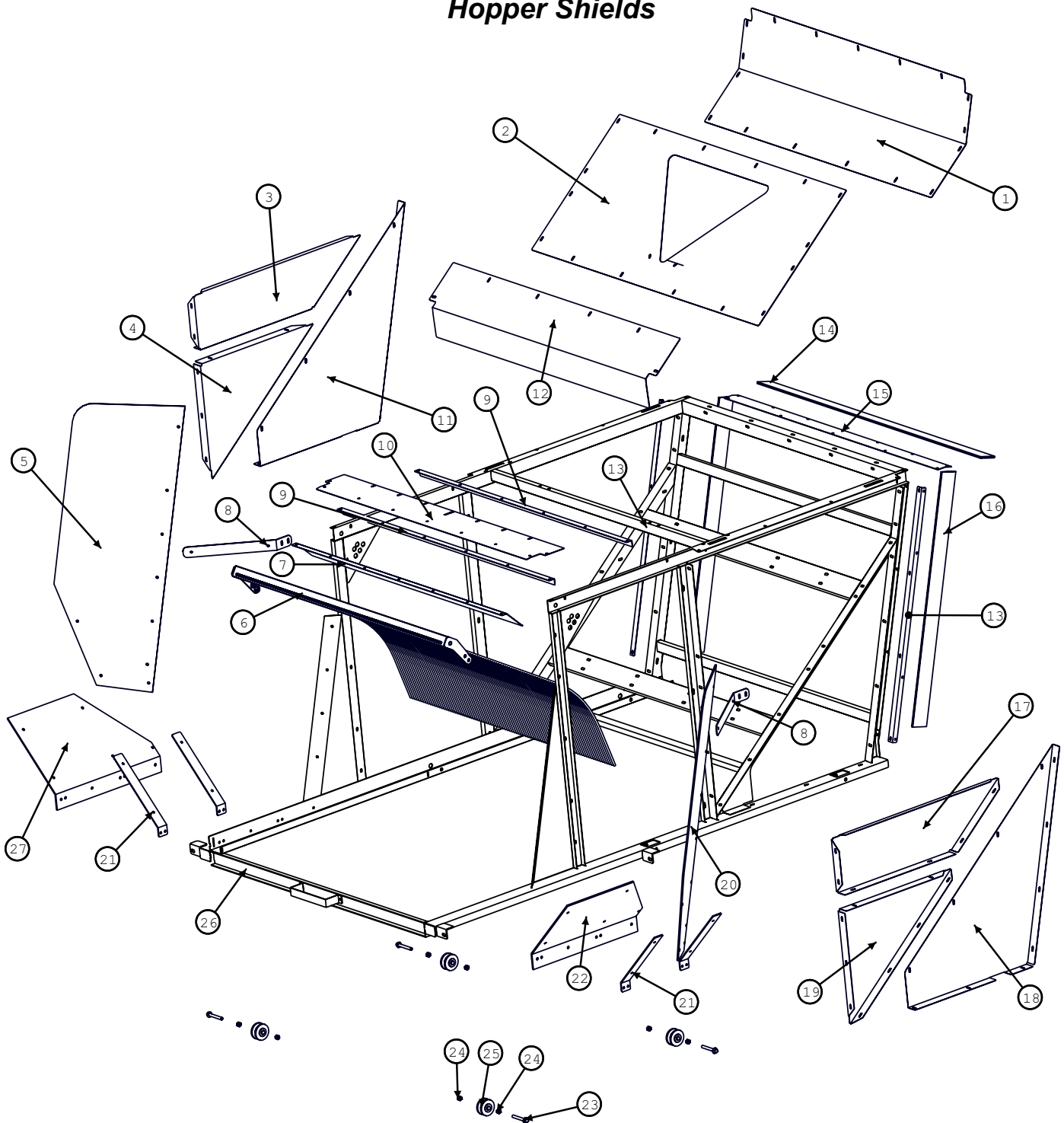
Hopper Air Vents



Model JB510 Single Pass Round Bale System
For Serial Numbers 14001-14999

HOPPER AIR VENTS			
BOM ID	Part No.	Qty	Description
1	1303552	2	HOPPER SIDESHEET
2	1303563	1	HOPPER ROOF
3	1304723	1	FRONT HOPPER ROOF
4	LB-303681	1	SPB PLT, HOPPER, FLOW DIVIDER
5	P303721	1	AIR CHUTE, LEFT
6	P500121	1	AIR CHUTE, RIGHT

Hopper Shields



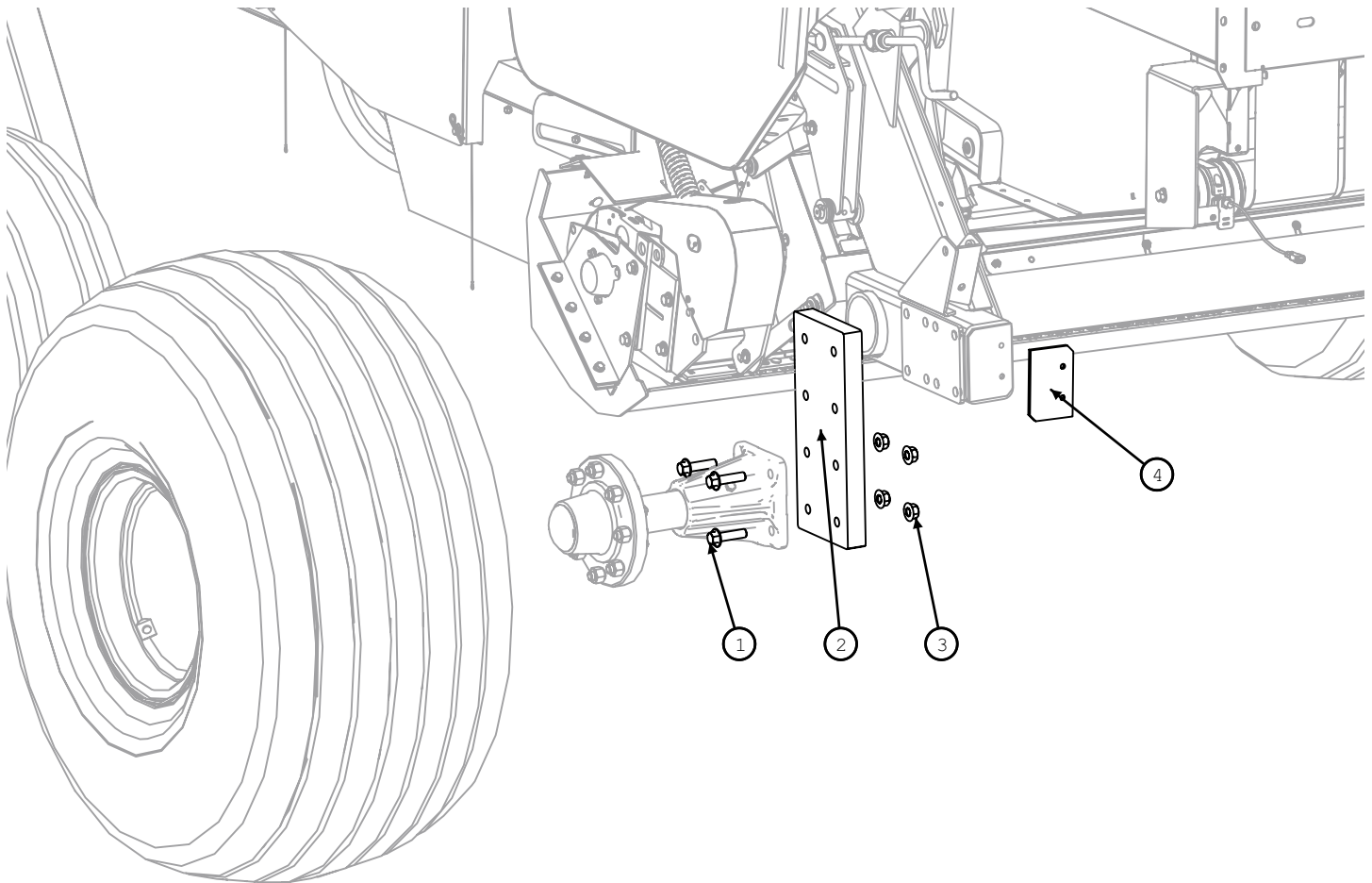
Model JB510 Single Pass Round Bale System
For Serial Numbers 14001-14999

HOOD SHIELDS			
BOM ID	Part No.	Qty	Description
1	LB-303621	1	SPB PLT, HOPPER, TOP REAR SHEET
2	LB-303671	1	SPB PLT, HOPPER, MID REAR SHEET
3	1303712	1	UPPER SHEET, HOPPER, RIGHT
4	1303702	1	LOWER SHEET, RIGHT
5	LM-311901	1	SPB PRT, BELTING, HOPPER, TOP RIGHT
6	LB-307261	1	SPB WLD, HOPPER, ROD DEFLECTOR
7	1305612	1	HOPPER NOSE, FRONT
8	LB-312241	2	SPB PRT, BELT SUPPORT
9	1305042	2	HOPPER ROOF SUPPORT
10	1305602	1	HOPPER NOSE MOUNT
11	1303693	1	HOPPER SIDESHEET, RIGHT
12	LB-303631	1	SPB PLT, HOPPER, BOTTOM REAR SHEET
13	1303791	2	BUMPER ANGLE
14	LP-303861	1	SPB PLT, HOPPER, TOP RUBBER BUMPER
15	LB-303851	1	SPB PLT, HOPPER, TOP BUMPER ANGLE
16	LP-303801	2	SPB PLT, HOPPER, REAR BUMPER ANGLE
17	1303502	1	UPPER SHEET, HOPPER, LEFT
18	1303523	1	HOPPER SIDESHEET, RIGHT
19	1303512	1	LOWER SHEET, LEFT
20	LM-311911	1	SPB PRT, BELTING, HOPPER, TOP LEFT
21	1303911	4	RUBBER SUPPORT, HOPPER
22	LM-311931	1	SPB PRT, BELTING, HOPPER, BOTTOM LEFT
23	122.012.090	4	BOLT,HX,FL,CL10.9 M12X90
24	155183	8	BUSHING, 3/4OD x 1/2ID X .42L
25	153891	4	WHEEL, CAST IRON, V-GROOVE
26	1303232	1	HOPPER FRAME
27	LM-311921	1	SPB PRT, BELTING, HOPPER, BOTTOM RIGHT

Model JB510 Single Pass Round Bale System
For Serial Numbers 14001-14999

Baler Lift Kit & Kicker Stop

**Left side shown, right side same as left side.*

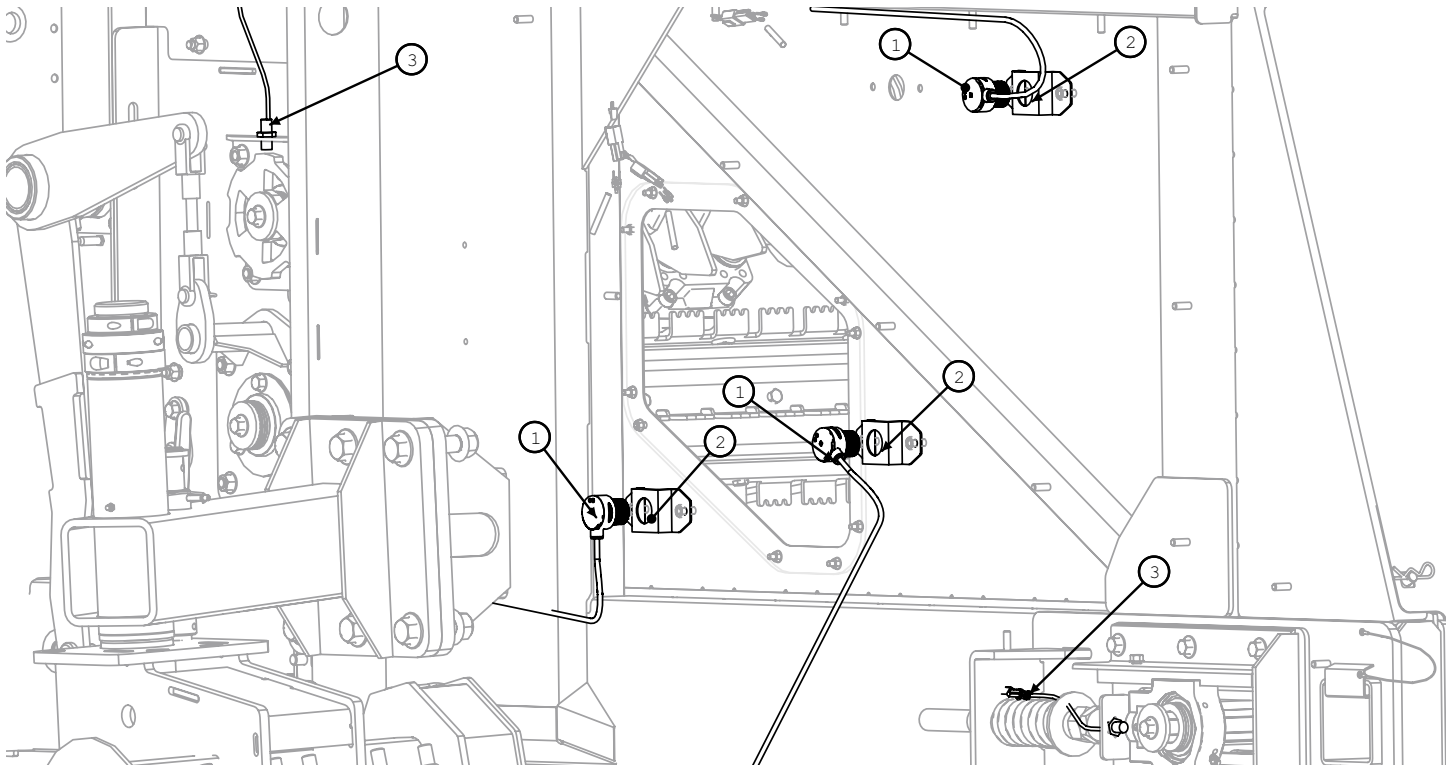


BALER LIFT KIT			
BOM ID	Part No.	Qty	Description
1-3	1298051	2	BU ASM, LIFT KIT
1	122.016.060	4	BOLT, HX, FL, CL10.9, M16X60
2	1298041	1	SPINDLE MNT
3	123.016	4	NUT, HX, FL, CL10 M16
4	1317621	1	BALE KICKER SPACER

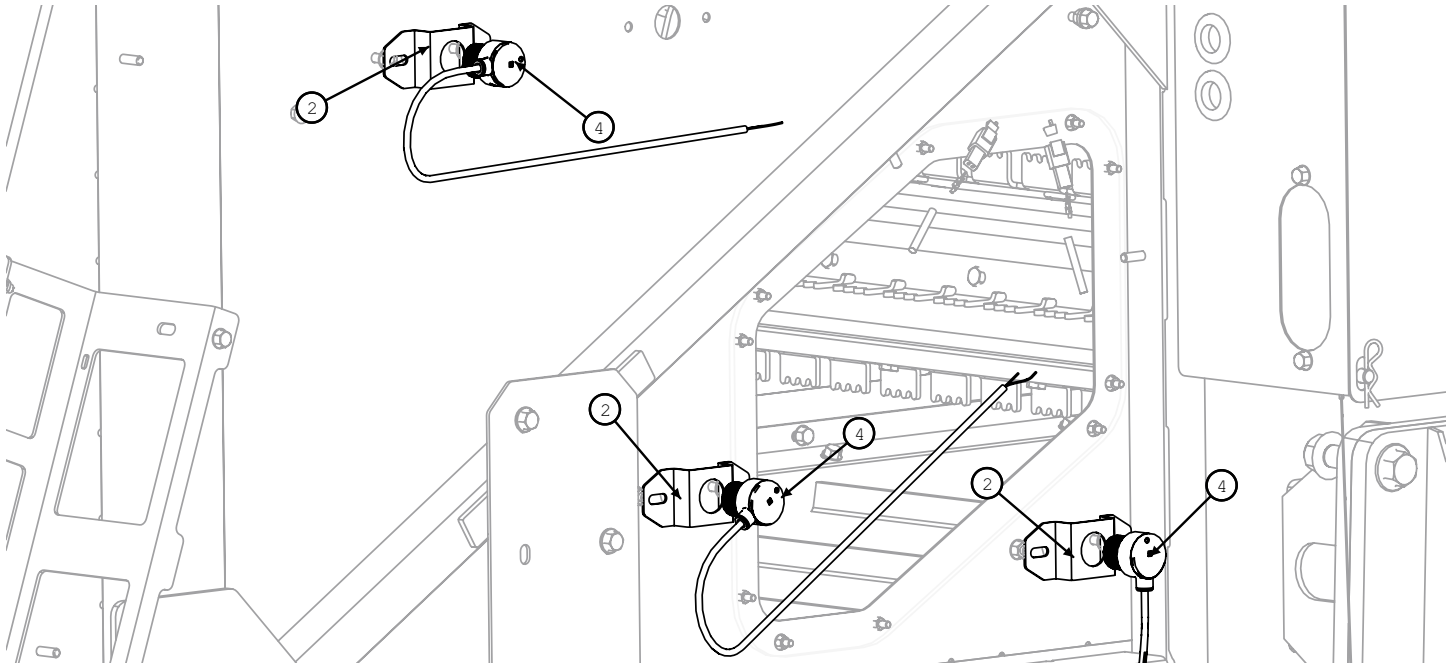
Model JB510 Single Pass Round Bale System
For Serial Numbers 14001-14999

Sensors

Right Side

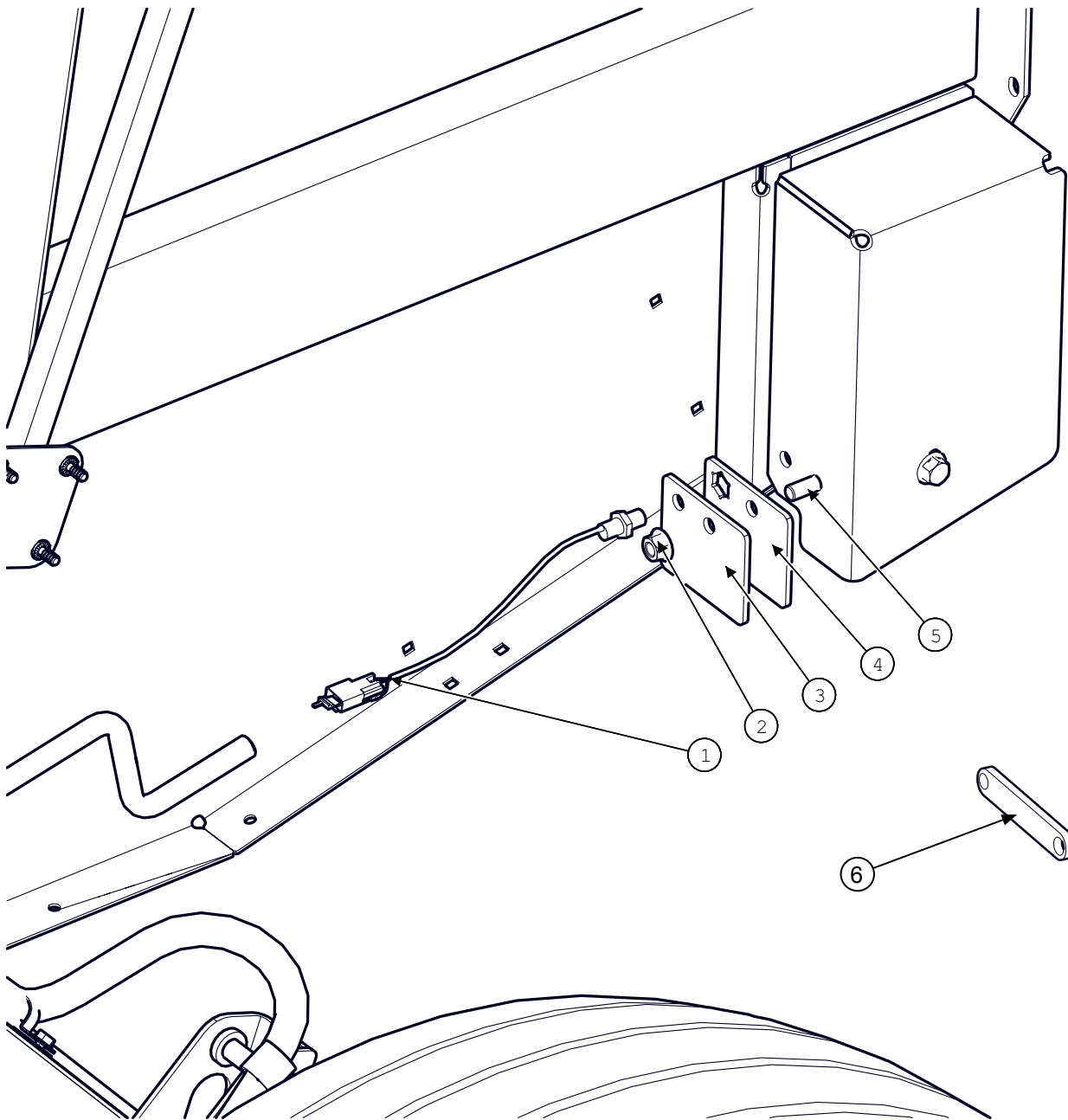


Left Side



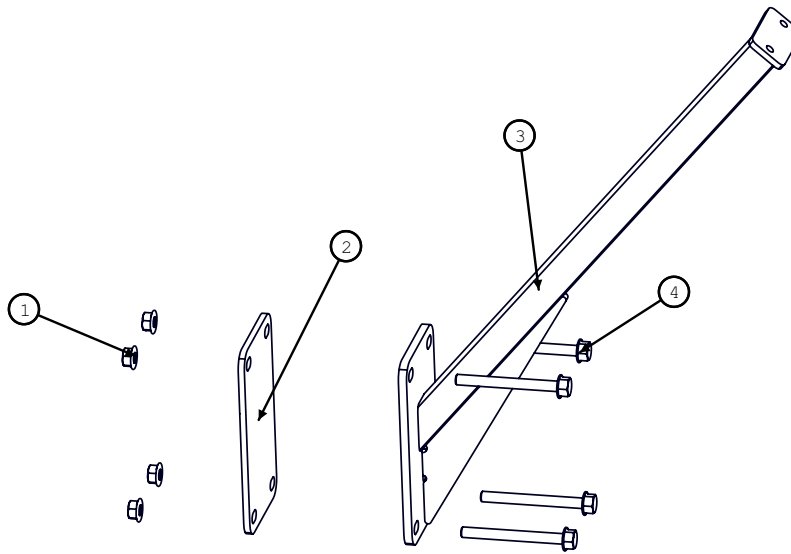
SENSORS			
BOM ID	Part No.	Qty	Description
1	1309871	3	INFRA-RED SENSOR RECEIVER
2	1315101	3	SENSOR MOUNT
3	1317971	2	SPEED SENSOR, INDUCTIVE
4	1309861	3	INFRA-RED SENSOR TRANSMITTER

Baler Speed Sensor



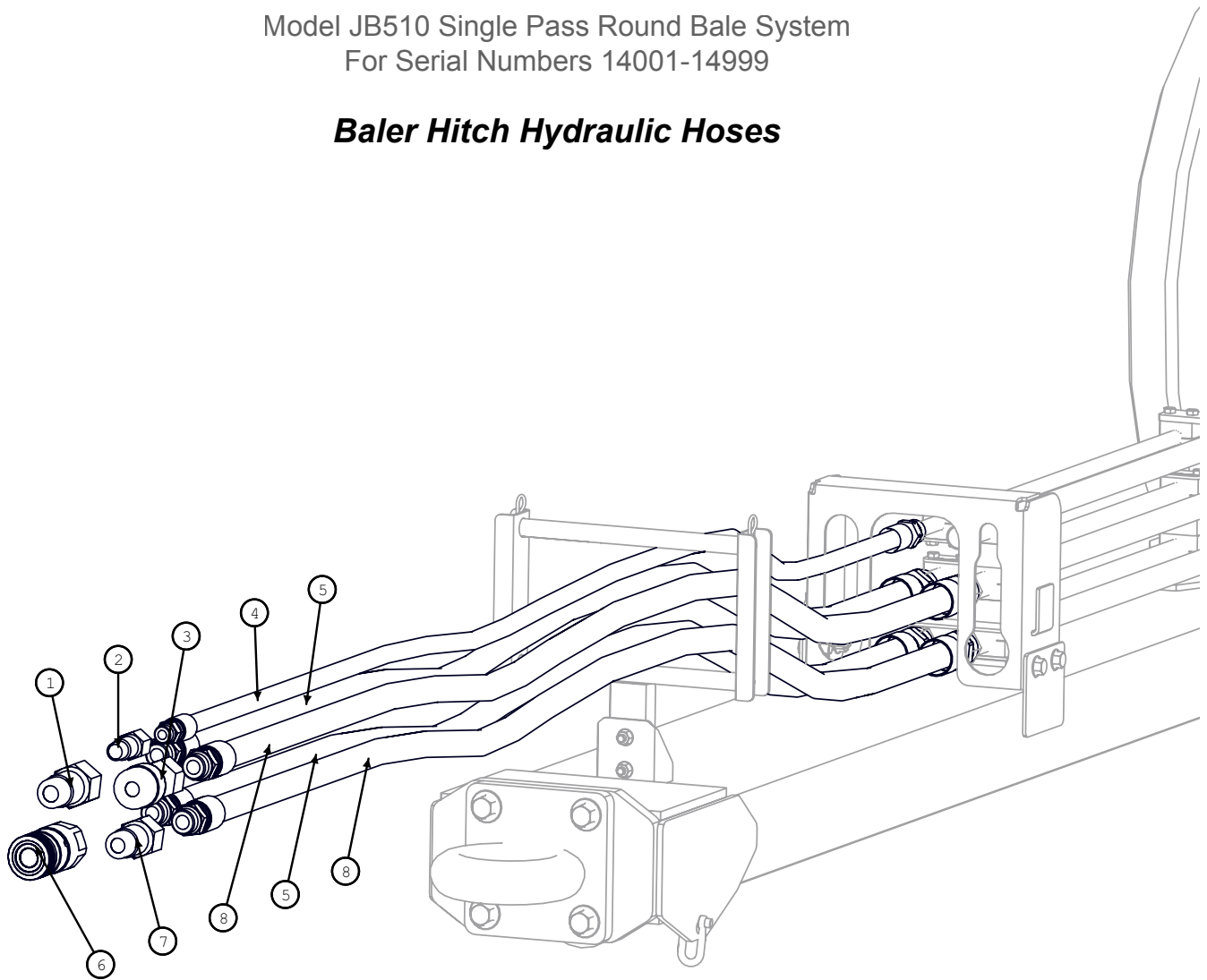
BALER SPEED SENSOR			
BOM ID	Part No.	Qty	Description
1	1317971	1	SPEED SENSOR, INDUCTIVE
2	123.012	1	NUT,HX,FL,CL10 M12
3	1322531	1	MOUNT, SENSOR, BELT SLIP, BALER OUTER
4	1322541	1	MOUNT,SENSOR,BELT SLIP, BALER INNER
5	122.012.030	1	BOLT,HX,FL,CL10.9 M12X30
6	1327221	1	ALTERNATE BALER SENSOR MOUNT

Baler Camera Mount



CAMERA MOUNT			
BOM ID	Part No.	Qty	Description
1-3	1316731	1	BALER CAMERA MOUNT ASM
1	145491	1	TWO-PIECE CLAMP-ON
2	1317611	1	SENSOR MOUNT,
3	1317971	1	SPEED SENSOR, INDUCTIVE (BALER SPEED)

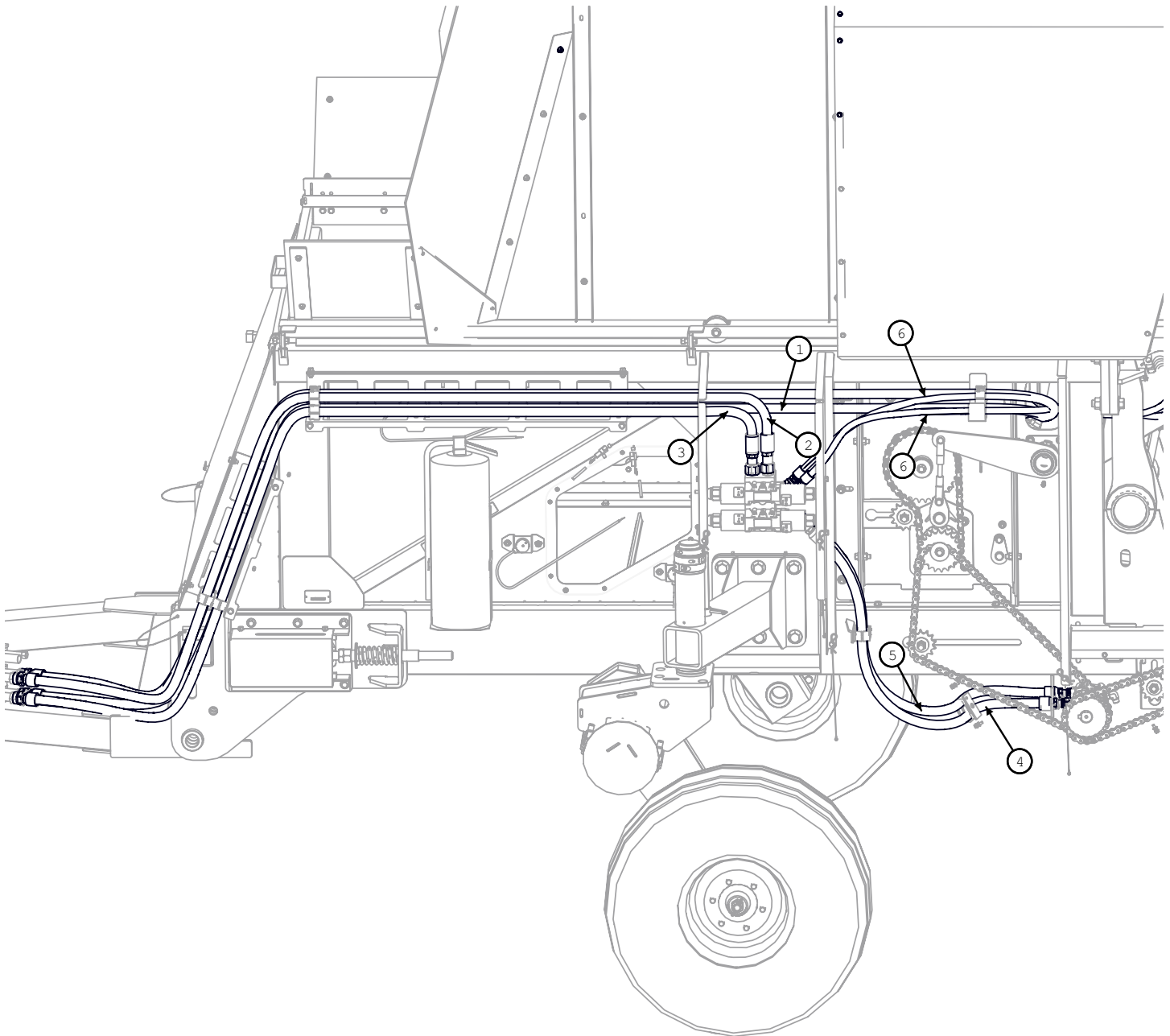
Baler Hitch Hydraulic Hoses



Baler Hitch Hydraulic Hoses			
BOM ID	Part No.	Qty	Description
1	HC-152271	1	NIPPLE, QUICK DISCONNECT, STUCCHI 801304028
2	HC-152231	1	NIPPLE, QUICK DISCONNECT, PARKER FEM-372-8FO
3	HC-152221	1	COUPLER, QUICK DISCONNECT, PARKER FEM-621-12FO-NL
4	1317411	1	451TC-8, 78" -8 MORB X -10 MORS
5	1317391	2	797TC-12, 78" -12 MORB X -16 MORS
6	HC-152281	1	QUICK COUPLER, STUCCHI #801304028
7	HC-152211	1	NIPPLE, QUICK DISCONNECT, PARKER FEM-622-12FO
8	1317401	2	HH ASM, 451TC-8, 79.5" -12MORB X -12 MORS

Model JB510 Single Pass Round Bale System
For Serial Numbers 14001-14999

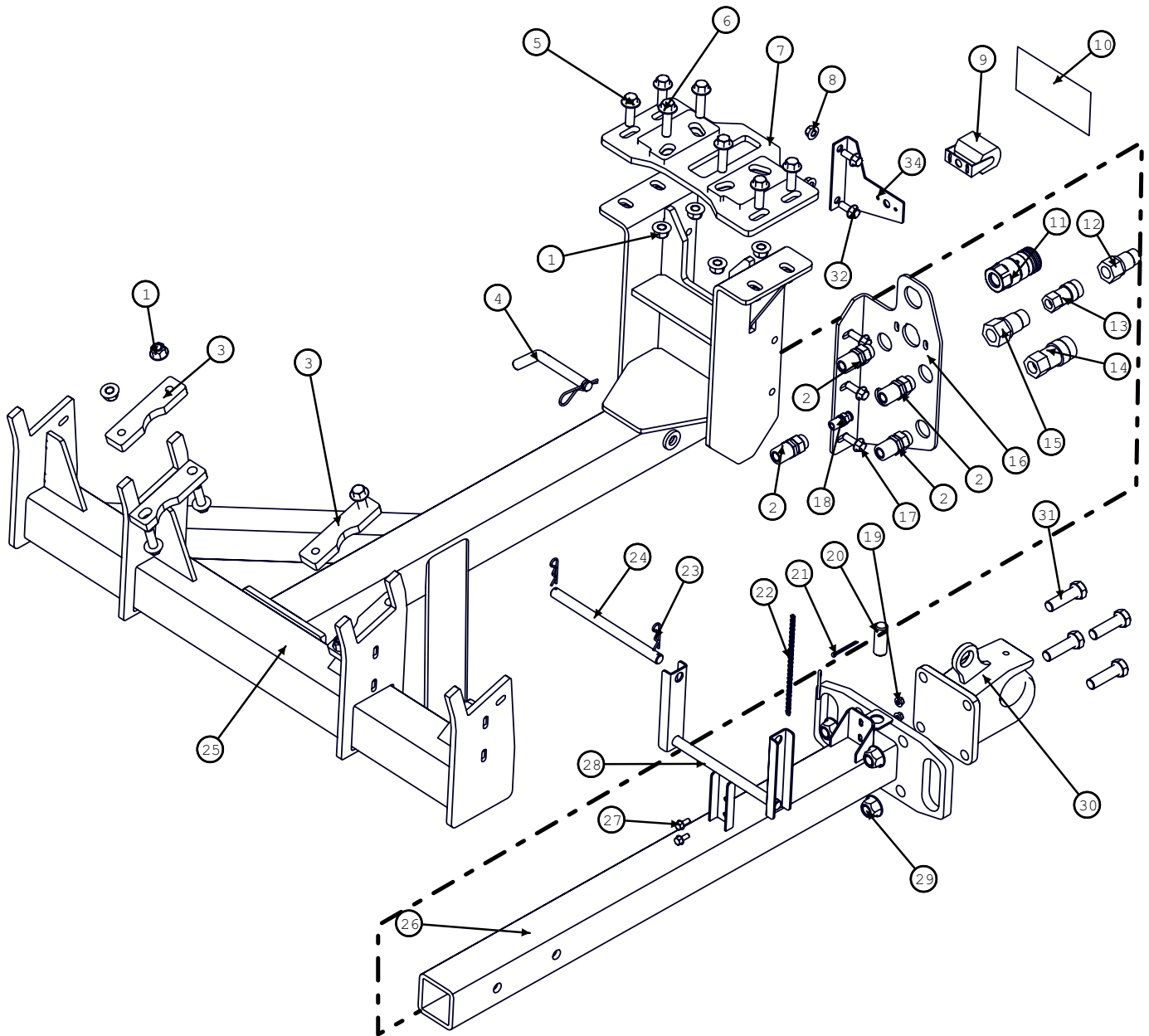
Baler Hydraulic Hoses



BALER HYDRAULIC HOSES			
BOM ID	Part No.	Qty	Description
1	1317421	2	797TC-12, 189" -16MORS x -16 CODE 62 90
2	1317431	1	451TC-12, 120" -12FORS x -16MORS
3	1317441	1	451TC-12, 118" -12FORS x -16MORS
4	1317461	1	451TC-12, 47" -10FORS x -10FORS
5	1317471	1	451TC-12, 45.5" -10FORS x -10FORS
6	1318021	2	451TC-8, 88" -8FORS x -8FORS

Model JB510 Single Pass Round Bale System
For Serial Numbers 14001-14999

Combine Hitch

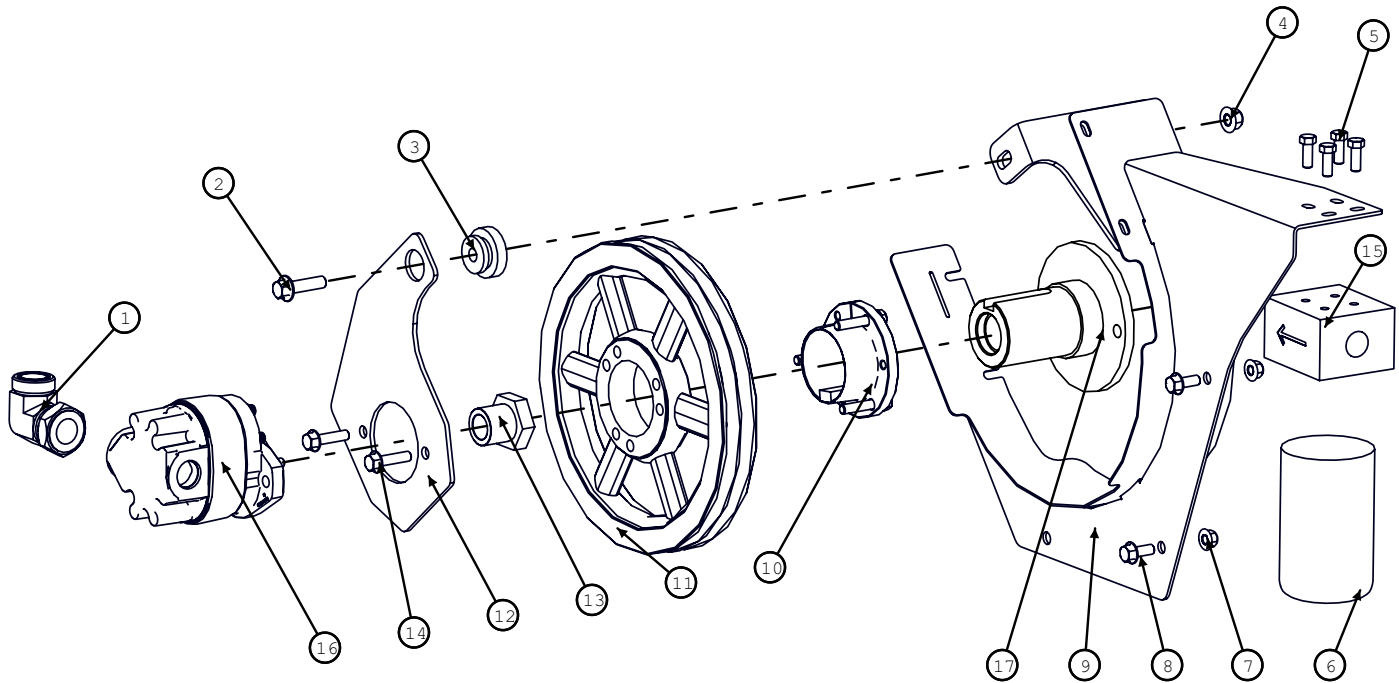


Model JB510 Single Pass Round Bale System
For Serial Numbers 14001-14999

COMBINE HITCH			
BOM ID	Part No.	Qty	Description
1	128.016	12	NUT,HX,FL,STV,CL10 M16
2	1064.12.12	4	HA,STR,BKHD -12MORB X
3	1308881	2	UPPER CLAMP PLATE, HITCH
4	MC-149681	1	PIN, BENT RECEIVER PULL PINS (3/4X4-1/2")
5	122.016.050	8	BOLT,HX,FL,CL10.9,M16X50
6	122.016.060	3	BOLT, HX, FL, CL10.9, M16X60
7	1313881	1	MOUNT PLATE, SUB,
8	123.012	5	NUT,HX,FL,CL10 M12
9	CAMERA	1	CAMERA
10	155213	1	DECAL, HITCH DISCONNECT
11	HC-152281	1	QUICK COUPLER, STUCCHI #801304028
12	HC-152211	1	NIPPLE, QUICK DISCONNECT, PARKER FEM-622-12FO
13	HC-152241	1	COUPLER, QUICK DISCONNECT, PARKER FEM-371-8FO-NL
14	HC-152221	1	COUPLER, QUICK DISCONNECT, PARKER FEM-621-12FO-NL
15	HC-152271	1	NIPPLE, QUICK DISCONNECT, STUCCHI 801304028
16	1317951	1	MOUNT, BULKHEAD
17	122.012.035	3	BOLT,HX,FL,CL10.9 M12X35
18	1064.08.08	1	HA,STR,BKHD -8MORB X
19	123.008	2	NUT,HX,FL,CL10 M8
20	1317961	1	PIN, PINTLE RELEASE
21	142.003.032	2	PIN,COTTER 3/16
22	10162.024	1	CHAIN, 2/0 SAFETY, 24 LINKS
23	144.010.038	2	PIN,HITCH,CLIP 1/8" X 5/8" EYE DIA X 2-3/8" LENGTH
24	1316941	1	HOSE CONTAINMENT,
25	1307621	1	RECEIVER
26	1284711	1	CC WLD, HITCH STINGER
27	122.008.020	2	BOLT,HX,FL,CL10.9 M8X20
28	1316951	1	HOSE CONTAINMENT
29	128.02	4	NUT,HX,FL,STV,CL10 M20
30	MC-148461	1	RIGID MNT COUPER, (HOLLAND CP400H)
31	121.020.070	4	BOLT,HX,CL10.9 M20 X 70
32	122.012.030	2	BOLT,HX,FL,CL10.9 M12X30
34	1316771	1	CAMERA MOUNT, HITCH

Model JB510 Single Pass Round Bale System
For Serial Numbers 14001-14999

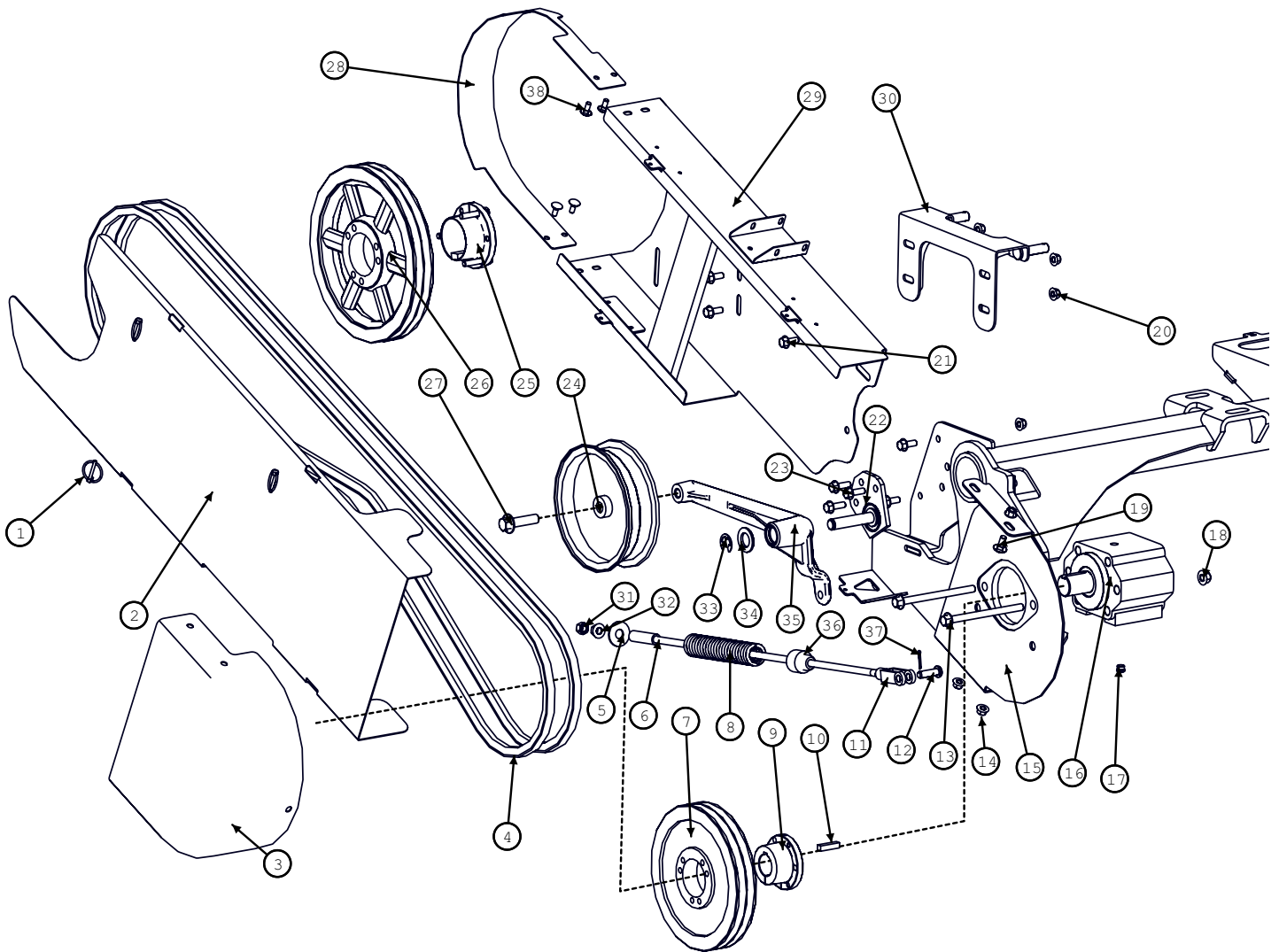
Gear Pump



Gear Pump			
BOM ID	Part No.	Qty	Description
1	1006.20.20	1	HA,90° #20 X #20
2	122.012.045	1	BOLT,HX,FL,CL10.9 M12X45
3	155215	1	BUSHING, PUMP, ANTI ROTATION (JD# T41770)
4	128.012	1	NUT,HX,FL,STV,CL10 M12
5	101.006.016	4	BOLT,HX,GR5 3/8-16X1
6	HC-152091	1	FILTER ELEMENT, DONALDSON #P176565
7	128.01	2	NUT,HX,FL,STV,CL10 M10
8	122.010.025	2	BOLT,HX,FL,CL10.9 M10X25
9	1317171	1	UPPER MOUNT, PUMP DRIVE
10	155218	1	SPLIT TAPER HUB
11	155217	1	2-5V 12.50 QD Sheave; McGuire Bearing #BLS-2-5V1250SF
12	1317161	1	MOUNT, FEED PUMP
13	1318042	1	PUMP MNT, INSERT
14	122.010.040	2	BOLT,HX,FL,CL10.9 M10X40
15	HC-152081	1	FILTER HEAD, DONALDSON #P166088
16	HC-152501	1	PUMP, SPB, FEED SYSTEM, JD #AXE21343
17	1317231	1	HUB, PUMP DRIVE
18	NA	1	KEY, 5/8 x 3/8 x 2

Model JB510 Single Pass Round Bale System
For Serial Numbers 14001-14999

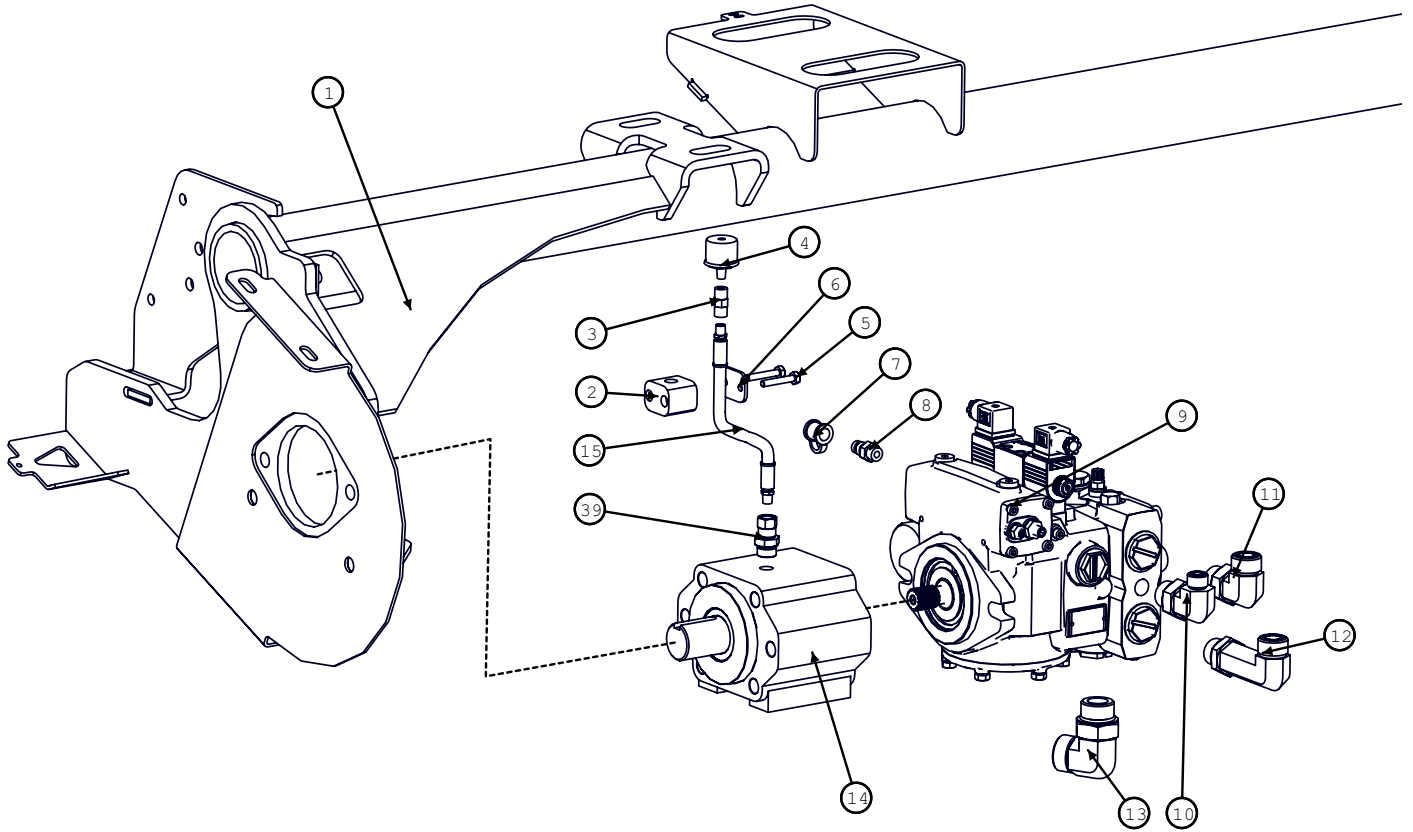
Belt Drives



Model JB510 Single Pass Round Bale System
For Serial Numbers 14001-14999

BELT DRIVE			
BOM ID	Part No.	Qty	Description
1	154261	3	PIN, LYNCH 3/16 DIA (RIED SUPPLY #CLP-580)
2	1317292	1	SHIELD, PUMP DRIVE
3	MC-145851	1	CAP-CHOPPER COUNTERSHAFT
4	155219	2	BELT, 5VX-1320
5	105.01	1	WASHER,FLT 5/8
6	HC-145861	1	1/2" HEATER HOSE 2-3/4" (NO ENDS) SAE20R3D2
7	MC-151971	1	SHEAVE, 2 GROOVE, MASKA 2-5V10.30
8	155223	1	COMPRESSION SPRING (JD# H86783 OR EQUAL)
9	MC-151991	1	BUSHING, QD 1-1/2 BORE, MASKA SKX1-1/2
10	10064.06.00026	1	KEYSTOCK,SQ 3/8" X 1-5/8" LENGTH
11	155222	1	TENSIONER ROD (JD# AXE37748)
12	230.012.040	1	PIN,CLEVIS M12X40
13	122.012.160	2	BOLT,HX,FL,CL10.9 M12 X 160
14	123.01	3	NUT, HEX, FLANGE M10
15	1317081	1	MOUNT, HYDRO PUMP
16	1317351	1	OHLA, PORTED
17	1019.06	1	HA,PLUG,SKT,HD
18	128.012	2	NUT,HX,FL,STV,CL10 M12
19	163.010.025	1	BOLT,CARR,CL8.8 M10 X 25
20	128.01	9	NUT,HX,FL,STV,CL10 M10
21	122.010.025	6	BOLT,HX,FL,CL10.9 M10 X 25
22	MC-145531	1	PIN, PIVOT ASM
23	122.010.030	3	BOLT,HX,FL,CL10.9 M10X30
24	155221	1	IDLER PULLEY, 3/4 BORE, DON DYE #212832144
25	155218	1	SPLIT TAPER HUB
26	155217	1	2-5V 12.50 QD Sheave; McGuire Bearing #BLS-2-5V1250SF
27	122.016.060	1	BOLT, HX, FL, CL10.9, M16X60
28	1317221	1	BELT COVER, OUTER
29	1317301	1	REAR COVER, PUMP DRIVE
30	1318071	1	MOUNT, CHOPPER SHIELD
31	160.012	1	NUT,HX,CL10 M12
32	123.012	1	NUT,HX,FL,CL10 M12
33	F-SRE-14E	1	E-STYLE RETAINING RING 7/8 SHAFT
34	MC-145551	1	WASHER, METALLIC, ROUND HOLE (24M7091)
35	155220	1	ARM, TENSIONER (JD# AXE11811)
36	MC-145591	1	PIVOT (H170141)
37	142.002.014	1	PIN,COTTER 1/8X7/8
38	163.008.020	4	BOLT,CARR,CL8.8 M8X20

Hydrostatic Pump & Adapter

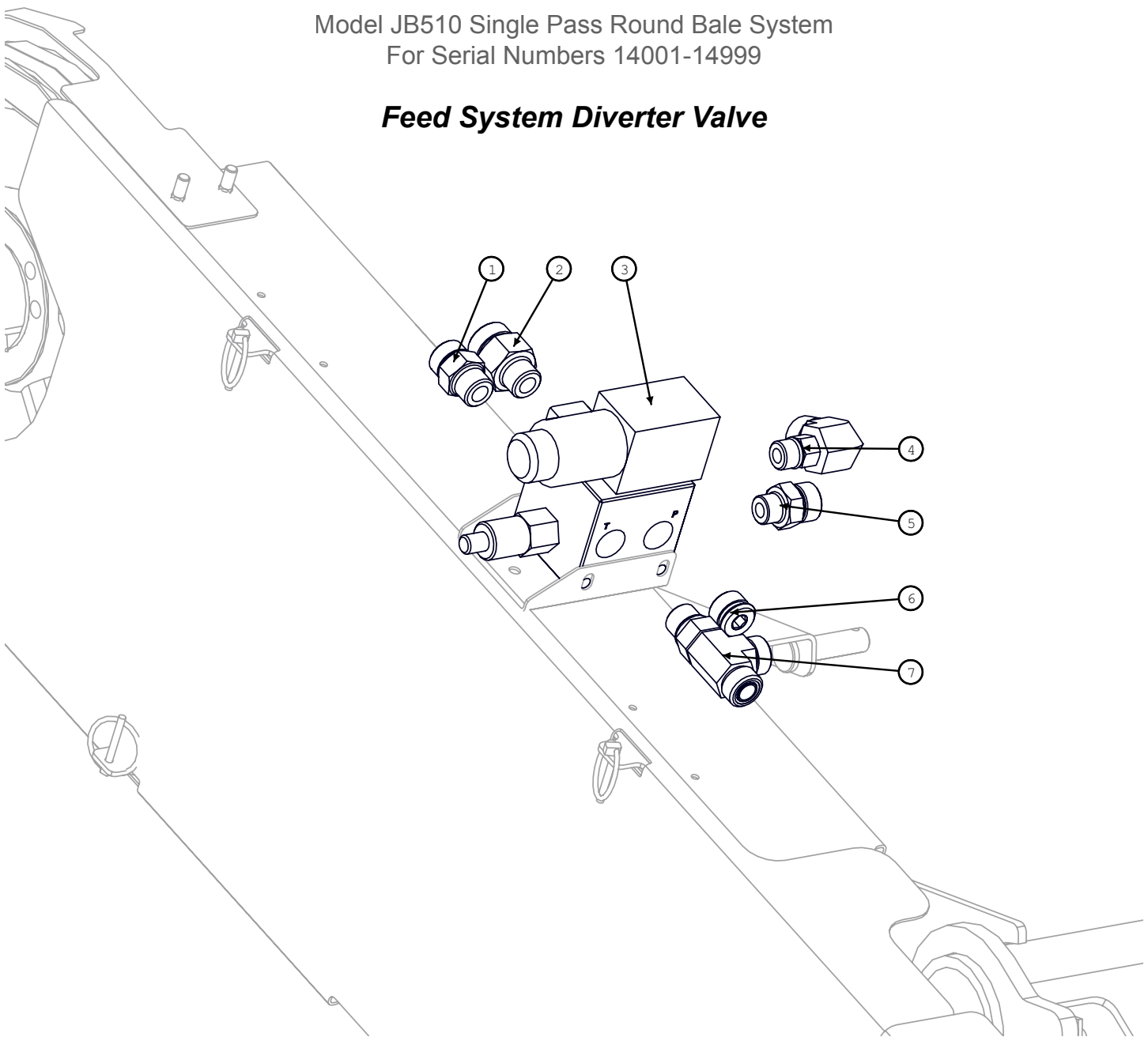


Model JB510 Single Pass Round Bale System
For Serial Numbers 14001-14999

HYDROSTATIC PUMP			
BOM ID	Part No.	Qty	Description
1	1317081	1	MOUNT, HYDRO PUMP
2	HC-145881	1	BEHRINGER STD CLAMP (.500 DIA)
3	HA-U-2FP2FP	1	ADAPTER, UNION, STEEL
4	HC-143251	1	METAL FILTER BREATHER, 10 MICRON
5	101.004.024	2	BOLT,HX,GR5 1/4-20X1-1/2
6	HC-145891	1	BEHRINGER STD COVER PLATE
7	144001	1	DUST COVER
8	155286	1	FITTING, DIAGNOSTIC PORT X #5 (PARKER PD351 OR EQUAL)
9	155190	1	PUMP, HYDROSTAT, POCLAIN PM45-52-S4-B12-08-35-L-26-11-S-00-F2-FU-VS-PA
10	1003.12.08	1	HA,90° -12MORB X -8MORFS
11	1003.12.12	1	HA,90°
12	1014.12.12	1	HA,90°,LD -12MORB X -12MORFS
13	1003.16.16	1	HA,90°
14	1317351	1	OHLA, PORTED
15	LA-306861	1	HOSE ASM, 100R1-03, 6.5" LG, HFS-03G02MP
16	HA-S-06MO02FP	1	ADAPTER, 6 MORB X 2 FP

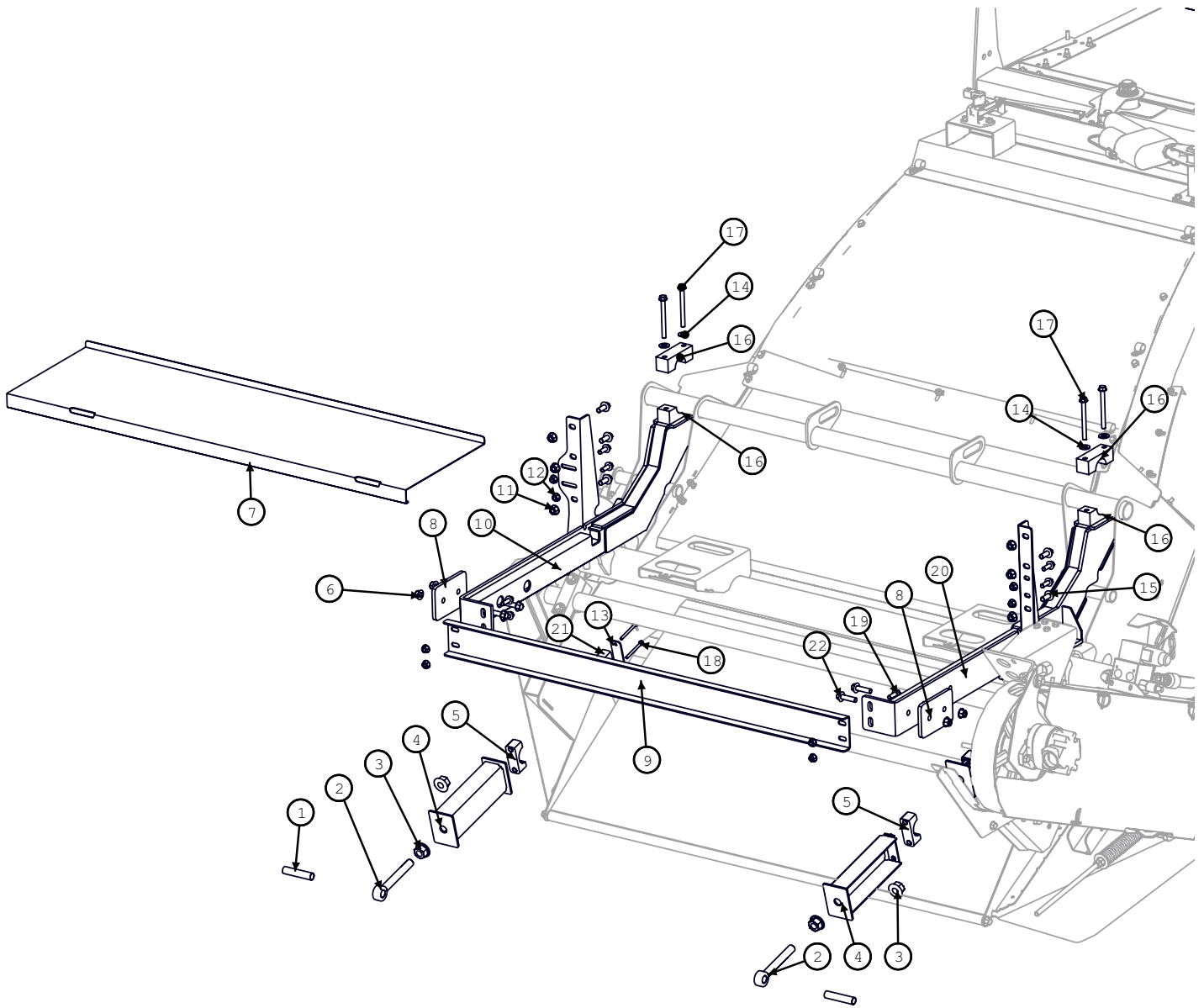
Model JB510 Single Pass Round Bale System
For Serial Numbers 14001-14999

Feed System Diverter Valve



FEED SYSTEM DIVERTER VALVE			
BOM ID	Part No.	Qty	Description
1	1001.10.10	1	HA,STR
2	1001.10.12	1	HA,STR
3	155206	1	MANIFOLD ASM,DIVERTER VALVE
4	1003.08.12	1	HA,90° -8MORB X -12MORFS
5	1001.08.10	1	HA,STR
6	1019.1	1	HA,PLUG,SKT,HD
7	1007.1	1	HA,TEE,STR,THD,RUN -10 ORFS

Spout Hanger

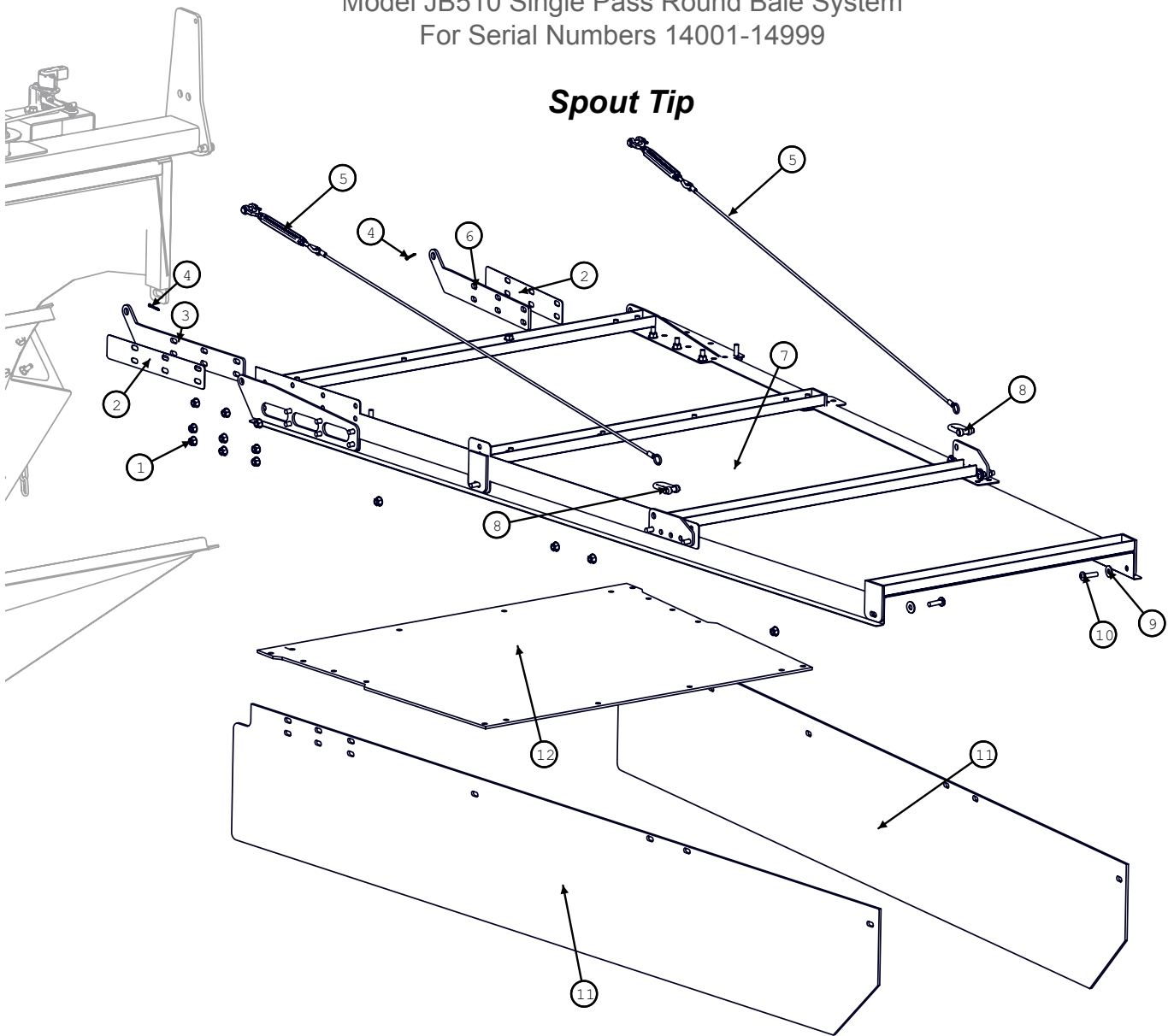


Model JB510 Single Pass Round Bale System
For Serial Numbers 14001-14999

SPOUT HANGER			
BOM ID	Part No.	Qty	Description
1	LS-309251	2	SPB TUBE, BUSHING SPOUT LINK
2	F-EYB-20M150S	2	EYEBOLT M 20 X 150
3	F-HNF-20ME	4	FLHN-10.9 M20X2.50
4	LW-299681	2	SPB WLD, SPOUT PUSH ROD
5	BEHRINGER	2	BEHRINGER STD. CLAMP 2"DIA
6	128.012	4	NUT,HX,FL,STV,CL10 M12
7	1309342	1	SHIELD, SPOUT DUST
8	1315011	2	SPOUT CLAMPING PLATE
9	LB-309331	1	SPB PLT, SPOUT X CHANNEL
10	1299102	1	SPOUT MOUNT, RIGHT
11	123.012	6	NUT,HX,FL,CL10 M12
12	123.01	8	NUT,HX,FL,CL10 M10
13	140651	2	PLATE, COVER, GRP 6,
14	133.008	4	WASHER,L9,HD 1/2
15	122.012	5	BOLT,HX,FL,CL10.9 M12X30
16	LM-309241	4	SPB BLOCK, SPOUT GATE PIVOT
17	122.010.110	4	BOLT,HX,FL,CL10.9 M10
18	F-HC5-04C44	4	F-HC5-04C44
19	122.010.030	8	BOLT,HX,FL,CL10.9 M10
20	1299092	1	SPOUT MOUNT, LEFT
21	BEHRINGER	2	BEHRINGER STD. CLAMP 2"DIA
22	122.012.045	4	BOLT,HX,FL,CL10.9 M12X45

Model JB510 Single Pass Round Bale System
For Serial Numbers 14001-14999

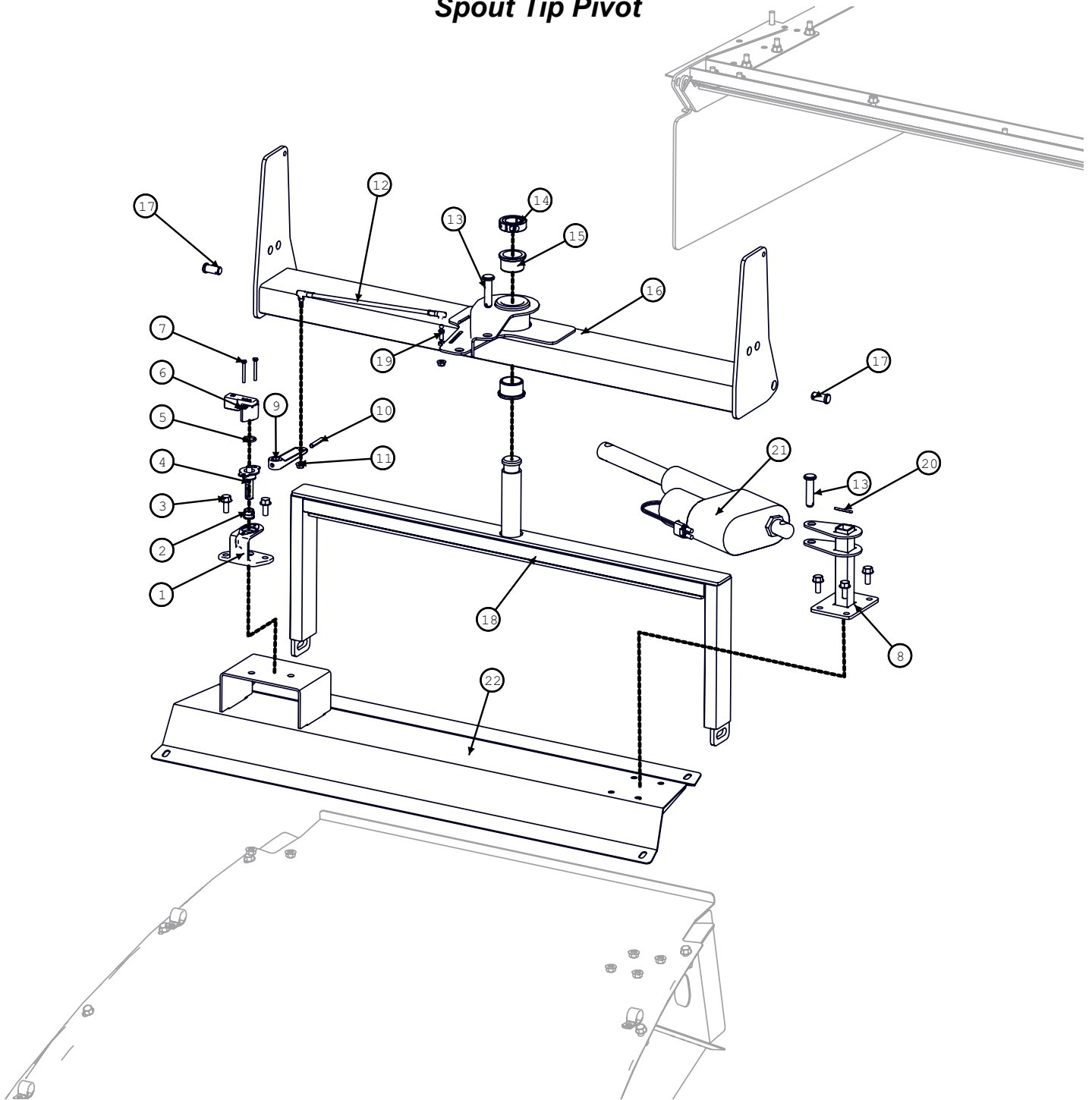
Spout Tip



SPOUT TIP			
BOM ID	Part No.	Qty	Description
1-12	P500171	1	SPB ASM, SPOUT TIP
1	128.008	39	NUT,HX,FL,STV,CL10 M8
2	1317041	2	EAR SHIM,
3	1316121	1	FISH PLATE, SPOUT TIP,
4	142.002.014	2	PIN,COTTER 1/8
5	1316201	2	SUPPORT CABLE,
6	1316131	1	FISH PLATE, SPOUT TIP,
7	1316051	1	FRAME, SPOUT TIP
8	155216	2	D-SHACKLE, 5/16 OD, GALVANIZED
9	105.005	38	WASHER,FLT 5/16
10	171.008.030	38	SCREW,PHM,CH M8X25
11	1316072	2	SPOUT TIP SIDES
12	1316031	1	WEAR PAD, SPOUT TIP

Model JB510 Single Pass Round Bale System
For Serial Numbers 14001-14999

Spout Tip Pivot

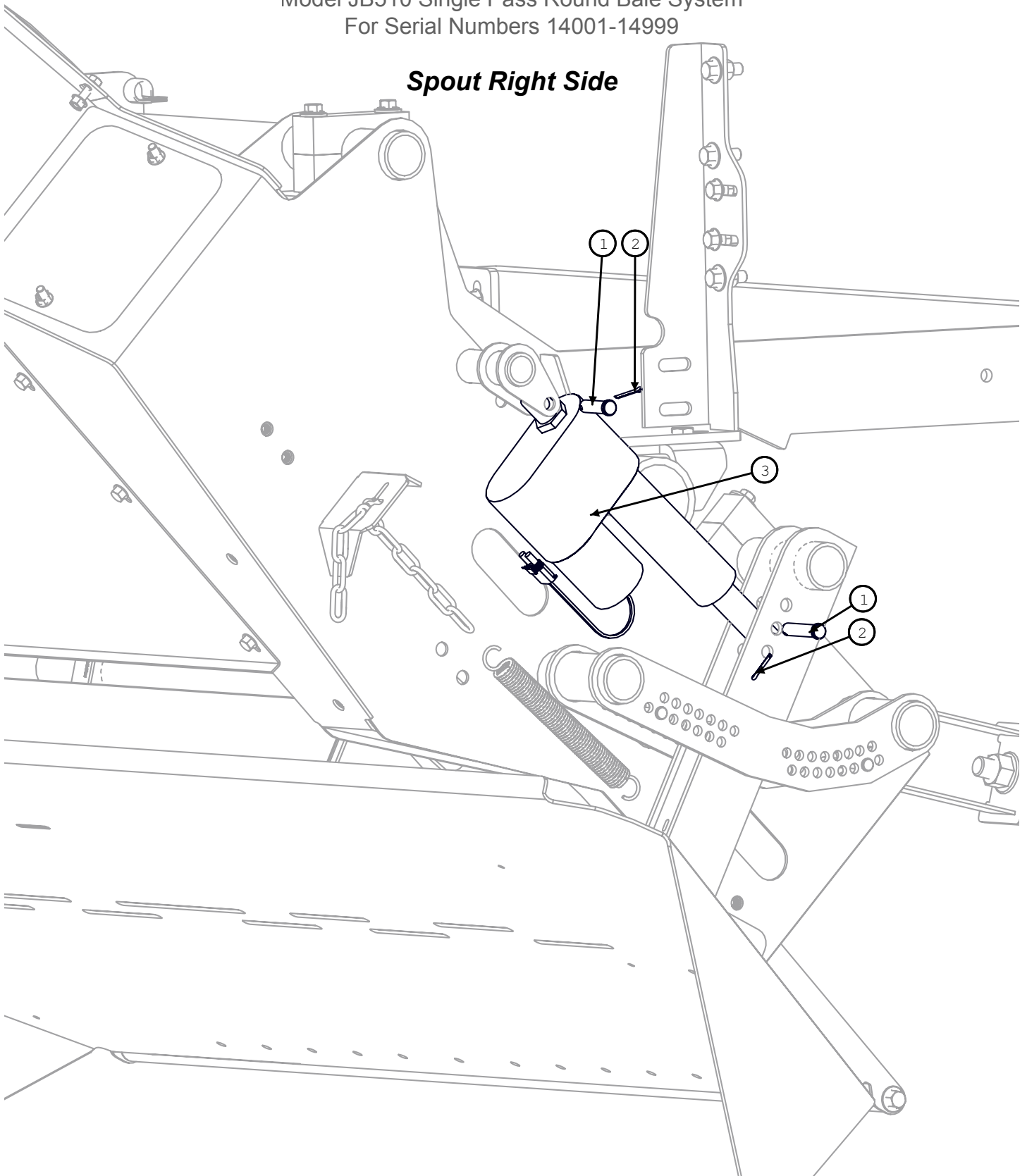


Model JB510 Single Pass Round Bale System
For Serial Numbers 14001-14999

SPOUT TIP PIVOT			
BOM ID	Part No.	Qty	Description
1	151321	1	BRACKET, SENSOR
2	151361	1	BUSHING,
3	F-HCF-08M020E	6	HEX CAP FLANGE M8 X 20
4	151401	1	SENSOR SHAFT,
5	151391	1	O-RING, 11/16ID
6	151381	1	SENSOR, ROTATION,
7	170.004.035	2	BOLT, HX,CL8.8
8	1298942	1	SPB WLD, SPOUT ACTUATOR MNT
9	151351	1	ARM, SENSOR
10	201.006.036	1	PIN,ROLL M6X36
11	123.006	2	NUT,HX,FL,CL10 M6
12	151331	1	LINKAGE, POSITION
13	F-PCL-08X32	2	PIN, CLEVIS 1/2 X 2 (JD#45M7042)
14	154251	1	2 PIECE CLAMPING COLLAR 1" ROUND
15	154281	2	BUSHING BRONZE, 1-1/4 ID X 1
16	1298932	1	FRAME SPOUT PIVOT
17	141.008.016	2	PIN,CLEVIS 1/2X1
18	1299002	1	DISCHARGE STIFFENER,
19	151341	1	BALL STUD
20	142.002.014	2	PIN,COTTER 1/8
21	LA-288961	1	CAE ASM, SPOUT RAISE ACTUATOR
22	LW-298912	1	SPB WLD, SPOUT ACTUATOR SUPPORT

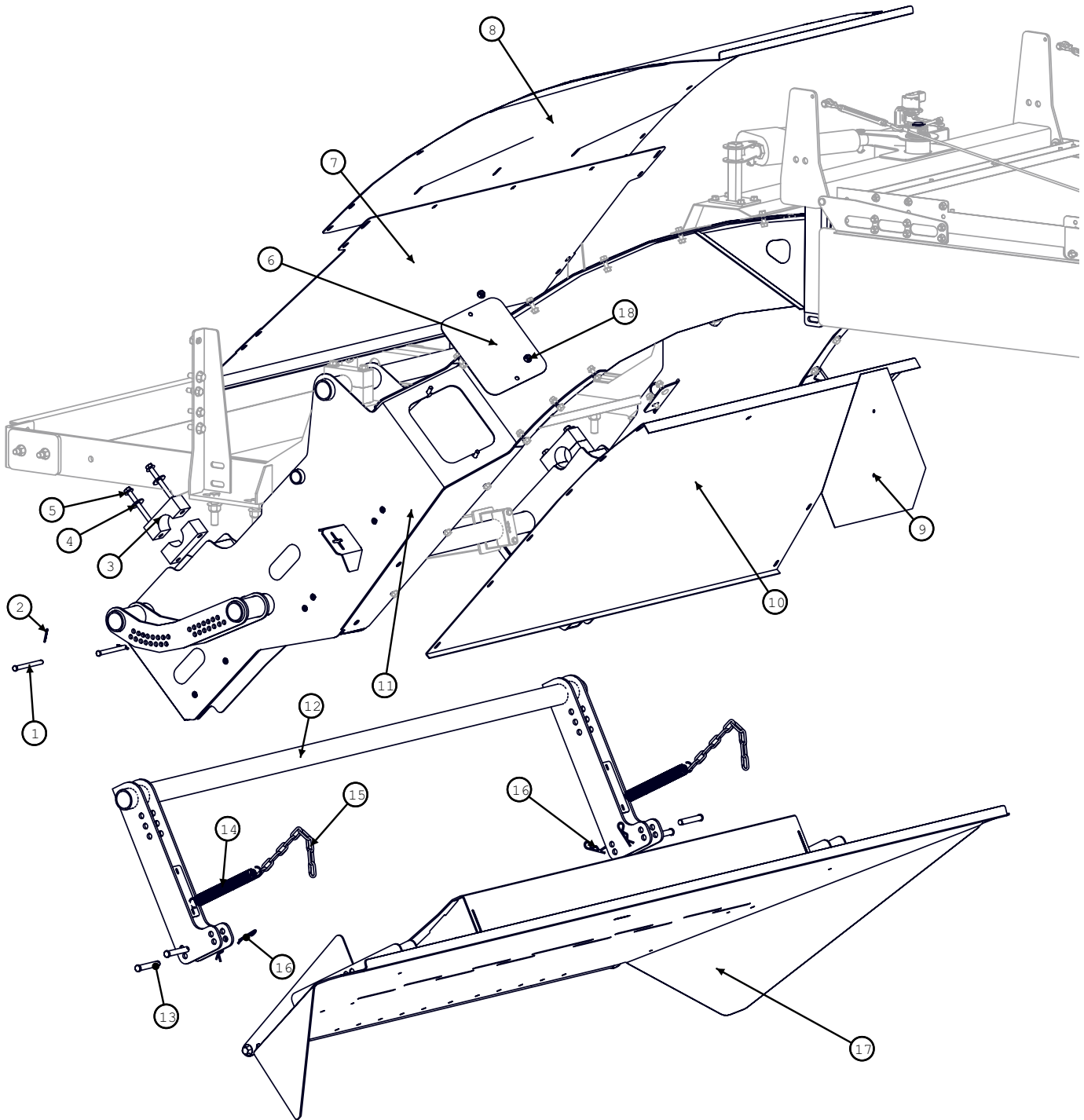
Model JB510 Single Pass Round Bale System
For Serial Numbers 14001-14999

Spout Right Side



SPOUT GATE ACTUATOR			
BOM ID	Part No.	Qty	Description
1	141.008	2	PIN,CLEVIS 1/2X
2	142.002.014	2	PIN,COTTER 1/8X7/8
3	LA-288961	1	CAE ASM, SPOUT RAISE ACTUATOR

Vane Tailboard Spout

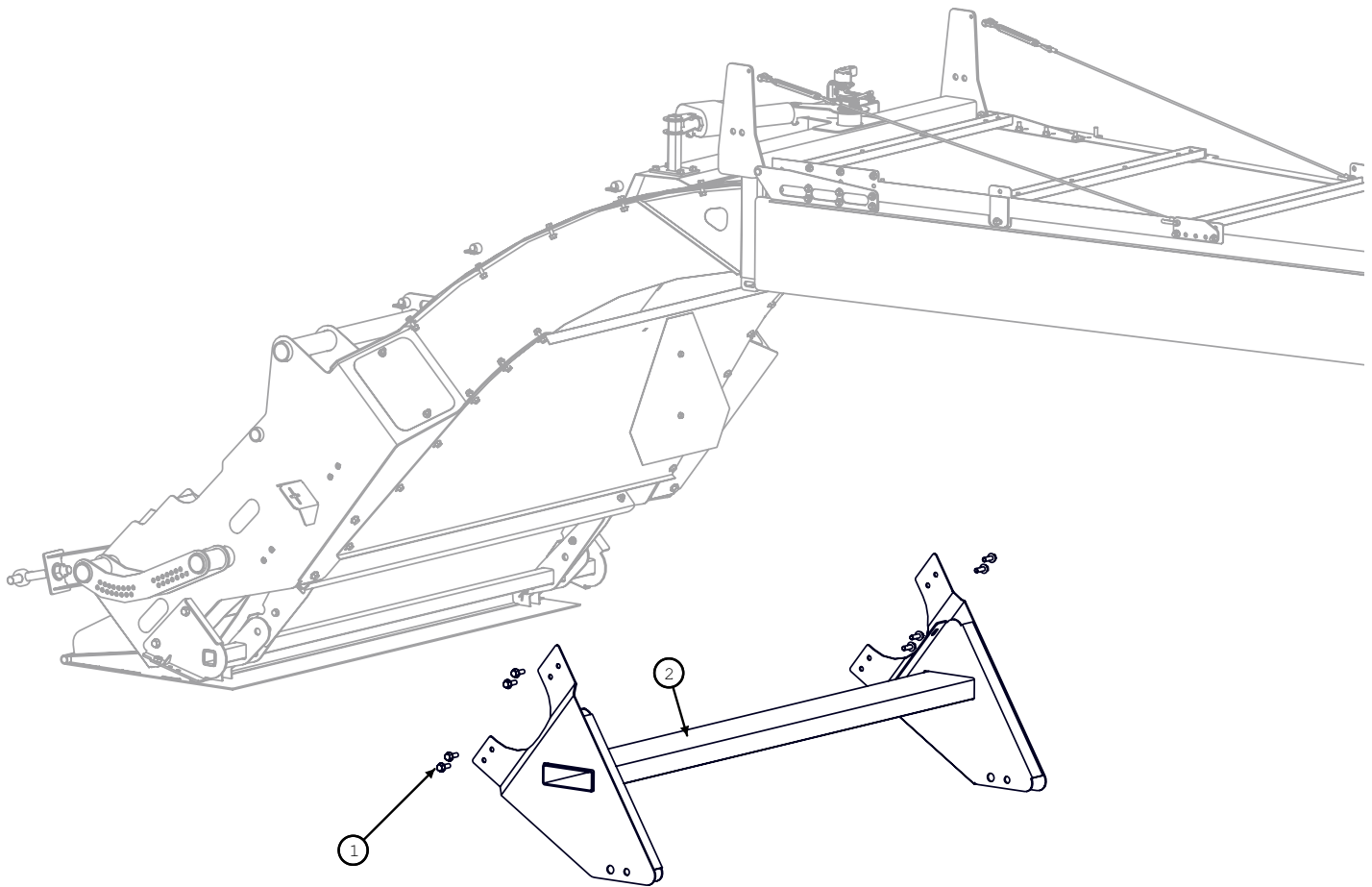


Model JB510 Single Pass Round Bale System
For Serial Numbers 14001-14999

VANE TAILBOARD SPOUT			
BOM ID	Part No.	Qty	Description
1	141.006.064	4	PIN,CLEVIS 3/8X4
2	142.002.014	4	PIN,COTTER 1/8X7/8
3	LM-309241	4	SPB BLOCK, SPOUT GATE PIVOT
4	105.008	4	WASHER,FLT 1/2
5	122.010.100	4	BOLT,HX,FL,CL10.9 M10X100
6	LP-298971	2	SPB SHT, SPOUT ACCESS COVER
7	1299981	1	SPOUT ROOF LOWER
8	1298951	1	SPOUT ROOF
9	152411	1	SIGN, SLOW MOVING VEHICLE
10	LB-298961	1	SPB SHT, SPOUT FLOOR
11	1298852	1	SPOUT FRAME
12	1298882	1	VANE TAILBOARD PIVOT
13	141.008.048	4	PIN,CLEVIS 1/2X3
14	MC-153651	2	SPRING, 1in OD, CENTURY #81026
15	LP-309231	2	SPB CHAIN, SPOUT GATE ASSIST
16	144.010.038	4	PIN,HITCH,CLIP 1/8" X 5/8" EYE DIA X 2-3/8" LENGTH
17	1298872	1	VANE TAILBOARD
18	F-HNF-08ME	4	NUT HEX FLANGE M8

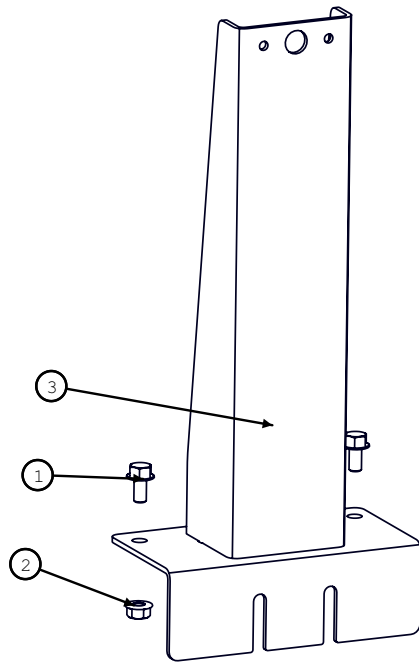
Model JB510 Single Pass Round Bale System
For Serial Numbers 14001-14999

PowerCast Tailboard



POWERCAST TAILBOARD			
BOM ID	Part No.	Qty	Description
1	10155.1-9.00194	1	TM,A513,DOM 1-3/8 OD X .120W X 12.125"
2	122.010.040	1	BOLT,HX,FL,CL10.9 M10X40
3	1315372	1	CC WLD, FEED RAMP, POWER CAST
4	1315691	1	CC WLD, RAMP STRUCTURE POWER
5	1315851	1	CC WLD, REAR MOUNT, POWER CAST
6	1315861	1	CC PRT POWER CAST RAMP MOUNT
7	1315871	1	CC PRT, POWER CAST RAMP MOUNT
8	1315881	1	CC PRT, POWER CAST RAMP REAR
9	141.008.036	3	PIN,CLEVIS 1/2X2-1/4
10	142.002	1	COTTER PIN
11	144.010.038	2	PIN,HITCH,CLIP,1/8", 5/8" EYE DIA X 2-3/8" LENGTH
12	165.01	1	JAM NUT

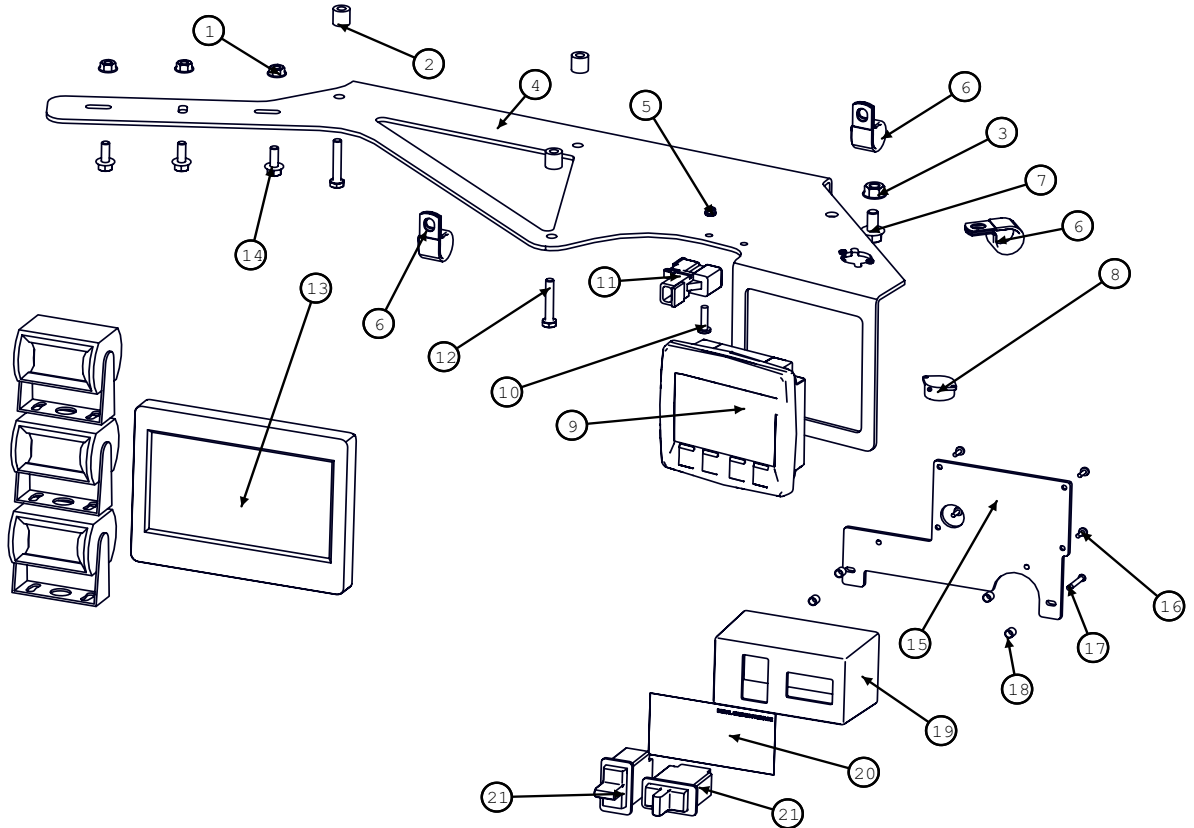
Combine Camera Mount (Engine Deck)



COMBINE CAMERA MOUNT			
BOM ID	Part No.	Qty	Description
1	122.008.016	2	BOLT,HX,FL,CL10.9 M8X16
2	123.008	2	NUT,HX,FL,CL10 M8
3	1316781	1	CAMERA MOUNT, COMBINE

Model JB510 Single Pass Round Bale System
For Serial Numbers 14001-14999

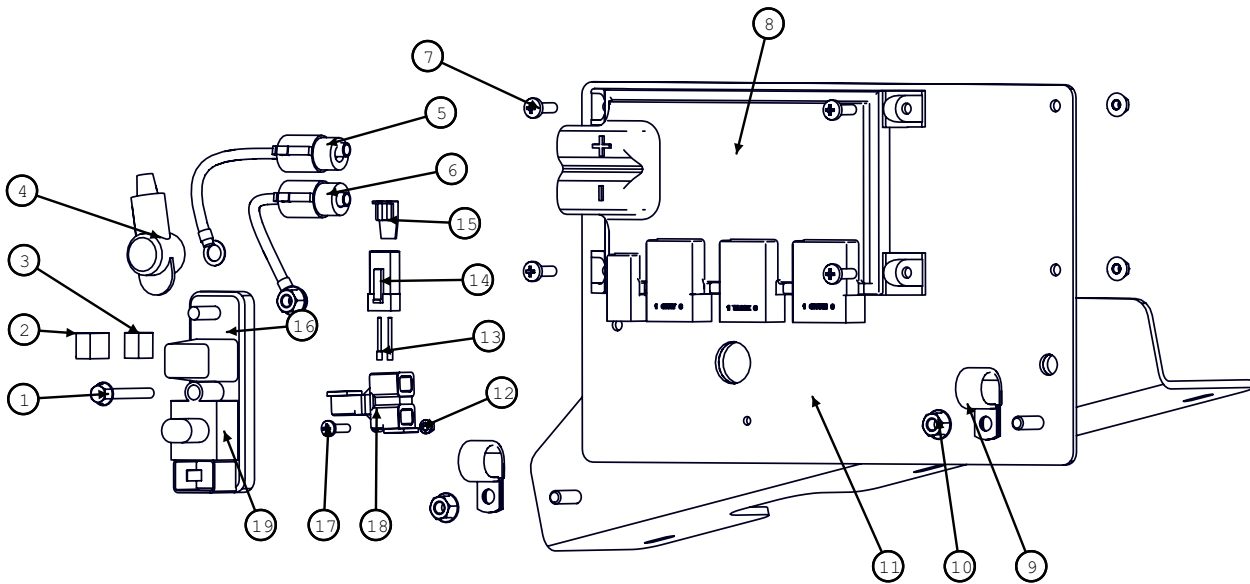
Monitors, Switches & Cameras



COMBINE CAMERA MOUNT			
BOM ID	Part No.	Qty	Description
1	123.006	3	NUT,HX,FL,CL10 M6
2	151931	3	BUSHING, NYLON,
3	123.008	3	NUT,HX,FL,CL10 M8
4	1318131	1	MOUNT, DISPLAY
5	119.#10	1	NUT,HX,FL,SERR 10-24
6	135791	3	CLAMP, HOSE
7	122.008.016	3	BOLT,HX,FL,CL10.9 M8
8	146481	1	BUZZER, PIEZO ELECTRIC
9	EC-151591	1	DISPLAY, SAUER DANFOSS DP-250
10	114.#10.012	1	SCREW,PHM,CH 10-24X3/4
11	146531	1	Y-CONNECTOR, BLACK
12	120.006.035	3	BOLT,HX,CL10.9 M6X35
13	155266	1	VIDEO MONITOR AND 3 CAMERAS
14	122.006.016	3	BOLT,HX,FL,CL10.9 M6X16
15	1318861	1	SWITCH MOUNT BRACKET
16	114.#06.006	4	SCREW,PHM,CH 6-32X3/8
17	231.#06.012	4	SCREW, PHTS, CROSS, #6 X 3/4
18	155284	4	SPACER, HEAVY DUTY,
19	1318841	1	SWITCH BOX
20	155282	1	DECAL, SPRB SWITCH BOX
21	150031	2	SWITCH, (ON)-OFF-(ON),

Model JB510 Single Pass Round Bale System
For Serial Numbers 14001-14999

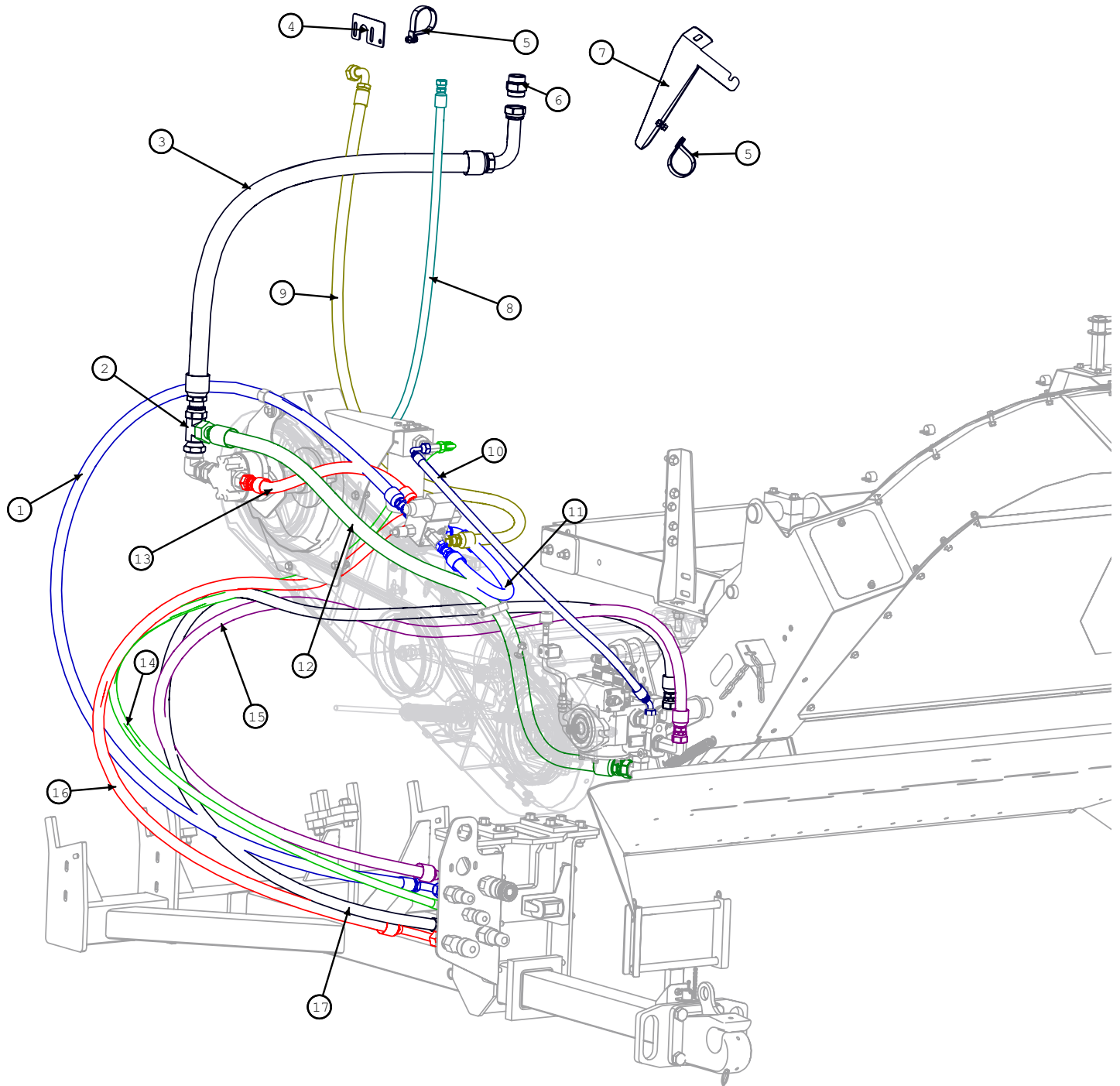
Power Distribution Module



POWER DISTRIBUTION MODULE			
BOM ID	Part No.	Qty	Description
1	122.006.050	1	BOLT,HX,FL,CL10.9 M6X40
2	EC-154901	1	PRM FUSE, 50A, (WAYTEK #46593)
3	EC-155147	1	FUSE, 20A, (WAYTEK #46300)
4	155152	1	BOOT 8GA-2GA, ALTERNATOR, RED (WAYTEK #23507)
5	1313161	1	SPRB HAR, PDM POWER
6	1313151	1	SPRB HAR, PDM GROUND
7	171.006.020	4	SCREW,PHM,CH M6X16
8	154931	1	MURPHY PDM (FW MURPHY #E244300) 12V POWER DIST
9	135791	2	CLAMP, HOSE
10	123.008	3	NUT,HX,FL,CL10 M8
11	1312581	1	ELECTRICAL MOUNT, PDM
12	119.#10	1	NUT,HX,FL,SERR 10-24
13	EC-100628	2	PLUG, SEALING, 12-16 GA
14	EC-155001	1	DEUTSCH DTP 2 POS WEDGE (LADD WP-2S)
15	EC-155011	1	DEUTSCH DTP 2 POS WEDGE (LADD WP-2S)
16	123.006	5	NUT,HX,FL,CL10 M6
17	114.#10.012	1	SCREW,PHM,CH 10-24X3/4
18	146531	1	Y-CONNECTOR, BLACK
19	EC-154841	1	POWER RELAY MODULE

Model JB510 Single Pass Round Bale System
For Serial Numbers 14001-14999

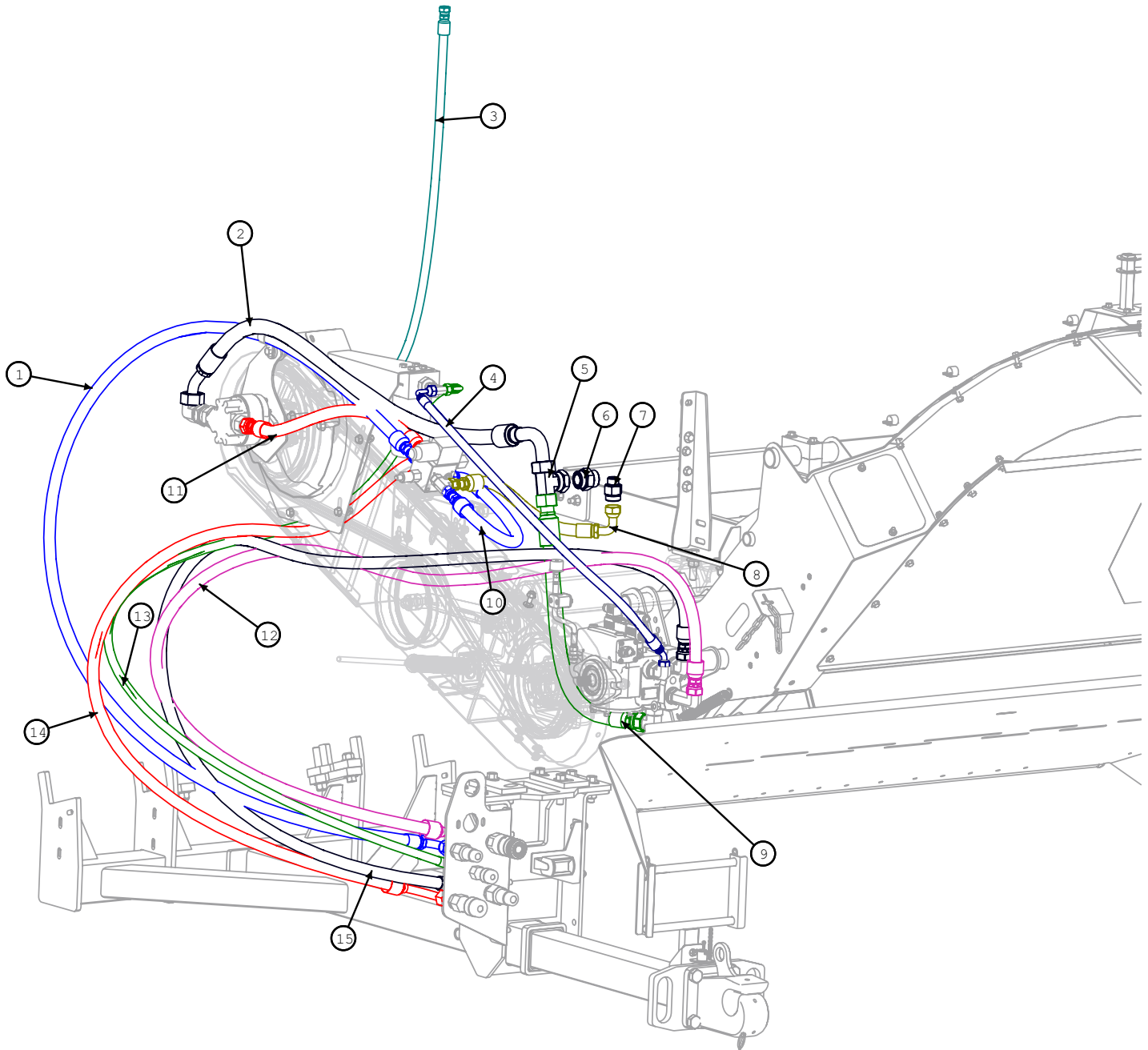
FT4 Hydraulic Hoses



Model JB510 Single Pass Round Bale System
For Serial Numbers 14001-14999

FT4 Hydraulic Hoses			
BOM ID	Part No.	Qty	Description
1	1318411	1	HH ASM, 451TC-12, 147" -12 FORS 90° X -10 FORS
2	1008.2	1	HA,TEE,SWIVEL,NUT,RUN
3	1319491	1	451TC-20, 51" -20 FORS 90° X -20 FORS
4	1320871	1	BRACKET, HOSE, LOWER, FINAL TIER 4
5	101343	2	CLAMP, HOSE,
6	1023.42.20	1	HA, STR, M42MMST X -20MORS
7	1320861	1	BRACKET, HOSE, UPPER, FINAL TIER 4
8	1318491	1	HH ASM, 451TC-8, 57" -8 FORS X -8 FORS 45°
9	1319501	1	451TC-12, 73" -12 FORS 90° X -10 FORS STR
10	1318451	1	451TC-8, 42" -8 FORS 90° X -8 FORS 45°
11	1318511	1	HH ASM, 451TC-12, 30" -10 FORS 90° X -10 FORS
12	1319511	1	451TC-16, 70" -20 FORS X -16 FORS
13	1318471	1	451TC-12, 23" -12 FORS X -12 FORS
14	1318421	1	451TC-08, 140"
15	1318431	1	HH ASM, 797TC-12, 173"
16	1318401	1	HH ASM, 451TC-12, 142" -12 FORS LONG 90° X -12 FORS
17	1318441	1	HH ASM, 797TC-12, 173"

IT4 Hydraulic Hoses



Model JB510 Single Pass Round Bale System
For Serial Numbers 14001-14999

IT4 Hydraulic Hoses			
BOM ID	Part No.	Qty	Description
1	1318411	1	HH ASM, 451TC-12, 147" -12 FORS 90° X -10 FORS
2	1318481	1	HH ASM, 451TC-16, 57" -20 FORS 45° X -20 FORS 9
3	1318491	1	HH ASM, 451TC-8, 57" -8 FORS X -8 FORS 45°
4	1318451	1	451TC-8, 42" -8 FORS 90° X -8 FORS 45°
5	1010.2	1	HA,TEE,SWV,NUT,BRA -20 ORFS
6	1023.42.20	1	HA, STR, M42MMST X -20MORS
7	1023.27.12	1	HA,STR M27MMST X -12 MORFS
8	1318501	1	HH ASM, 451TC-12, 18" -12 FORS X -10 FORS
9	1318461	1	HH ASM, 451TC-16, 45" -20 FORS X -16 FORS 45°
10	1318511	1	HH ASM, 451TC-12, 30" -10 FORS 90° X -10 FORS
11	1318471	1	451TC-12, 23" -12 FORS X -12 FORS
12	1318431	1	HH ASM, 797TC-12, 173"
13	1318421	1	451TC-08, 140"
14	1318401	1	HH ASM, 451TC-12, 142" -12 FORS LONG 90° X -12 FORS
15	1318441	1	HH ASM, 797TC-12, 173"

Model JB510 Single Pass Round Bale System
For Serial Numbers 14001-14999

PowerCast Hydraulic Hoses

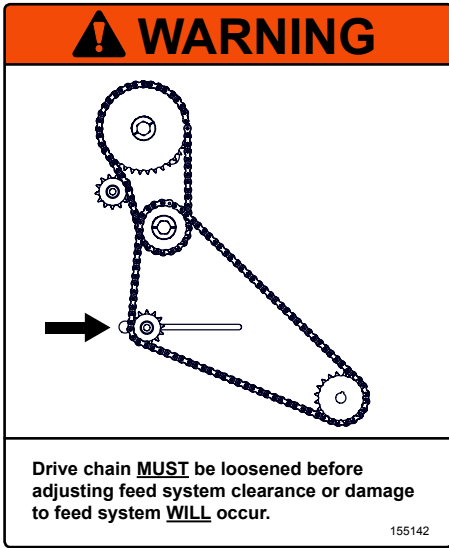
FT4

Hillco P/N	JD HOSE REPLACED	Type	Hose Location			
			From	Hose Fitting	To	Hose Fitting
1320771	AXE36324	Pressure	SPRB Diverter Valve	-10 MBARBX-10 FORS 90	PC Manifold P	-10 MBARB X -10 FORS STR
1320781	AXE40627	Return	PC Manifold T	-12 MBARB X -12 FORS 90	SPRB T	-12 MBARBX-10 FORS STR
1320791	AXE36506	RH Working A	PC Manifold	-8 MBARB X -10 FORS 45	RH Motor	-8 MBARB X -10 FORS STR
1320801	AXE36507	RH Working B	PC Manifold	-8 MBARB X -8 FORS 45	RH Motor	-8 MBARB X -8 FORS STR
1320811	AXE36509	LH Working A	PC Manifold	-8 MBARB X -10 FORS STR	LH Motor	-8 MBARB X -10 FORS STR
1320821	AXE36513	LH Working B	PC Manifold	-8 MBARB X -8 FORS STR	LH Motor	-8 MBARB X -8 FORS STR

IT4

P/N	JD HOSE REPLACED	Type	Hose Location			
			From	Hose Fitting	To	Hose Fitting
1320441	AXE12609	Pressure	SPRB Diverter Valve	-12 MBARBX-10 FORS 90	PC Manifold P	-12 MBARB X -12 FORS STR
1320451	AXE12610	Return	PC Manifold T	-12 MBARB X -12 FORS 90 MD	SPRB T	-12 MBARBX-10 FORS STR
1320431	AXE18310	RH Working A	PC Manifold	-8 MBARB X -8 FORS STR	RH Motor	-8 MBARB X -12 FORS STR
1320421	AXE14973	RH Working B	PC Manifold	-8 MBARB X -10 FORS STR	RH Motor	-8 MBARB X -10 FORS STR
1320401	AXE14971	LH Working A	PC Manifold	-8 MBARB X -10 FORS STR	LH Motor	-8 MBARB X -8 FORS STR
1320411	AXE14970	LH Working B	PC Manifold	-8 MBARB X -8 FORS 90	LH Motor	-8 MBARB X -8 FORS STR

(1)



155142

(2)



155139

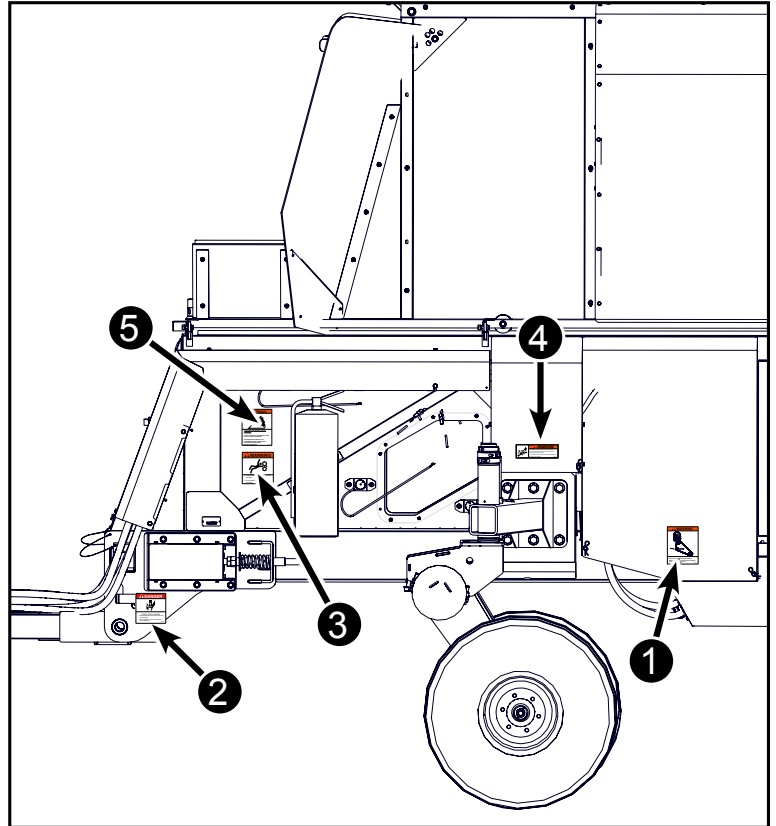
(3)



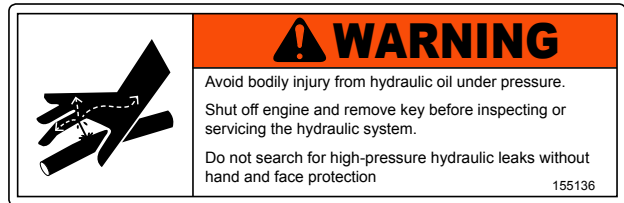
155143

D-130625CMA01B

Decals

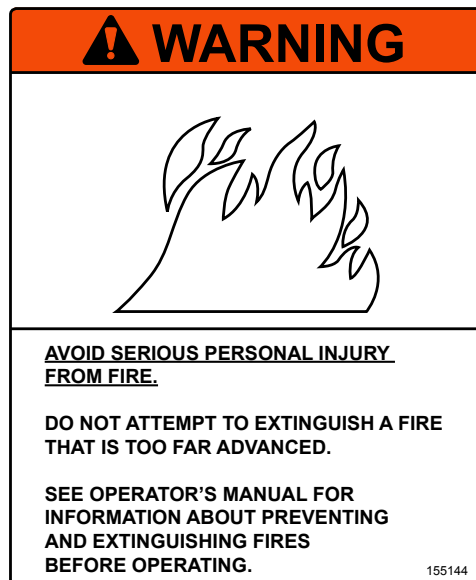


(4)



155136

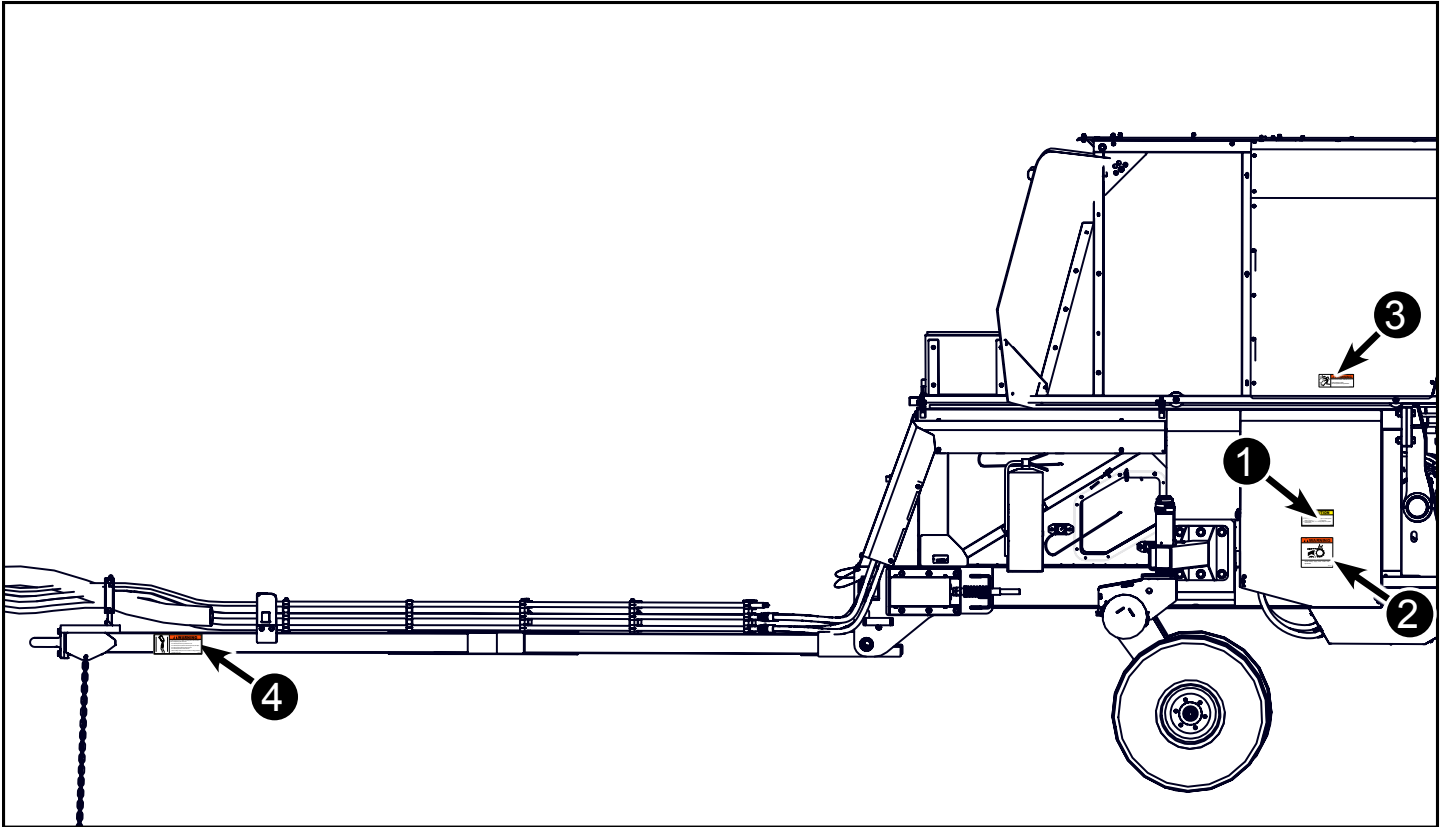
(5)



155144

66

Model JB510 Single Pass Round Bale System
For Serial Numbers 14001-14999



(1)

⚠ CAUTION
<ol style="list-style-type: none"> 1. Keep all shields in place. 2. Disengage and shut off all engine or motor power before servicing or unclogging machine. 3. Keep hands, feet, and clothing away from power driven parts
155137

155137

(2)

⚠ WARNING
<p>Avoid bodily injury from chain and sprockets.</p>
155141

155141

(3)

	⚠ WARNING
	AVOID INJURY FROM THROWN OBJECTS
	<ul style="list-style-type: none"> • Keep shields in place. • Do not operate near bystanders.
	155138

155138


(4)

	⚠ WARNING
	AVOID SERIOUS INJURY OR DEATH RESULTING FROM LOSS OF CONTROL WHILE TRANSPORTING WITH THIS HITCH:
	<ul style="list-style-type: none"> Do not transport with any material in cart. Do not transport at speeds exceeding 32 kph (20 mph) Do not exceed 13,000 lb. maximum pull. Do not transport with motor vehicle. Attach safety chain (minimum 13,000 lb. rating) between combine and cart.
	155140

155140

Model JB510 Single Pass Round Bale System
For Serial Numbers 14001-14999

(1)

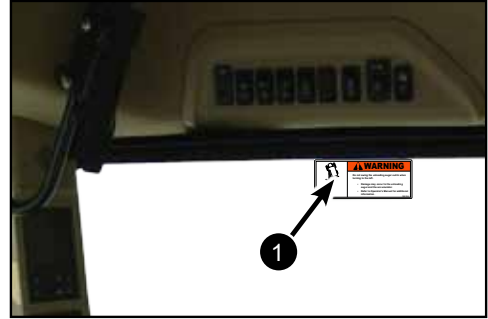


WARNING

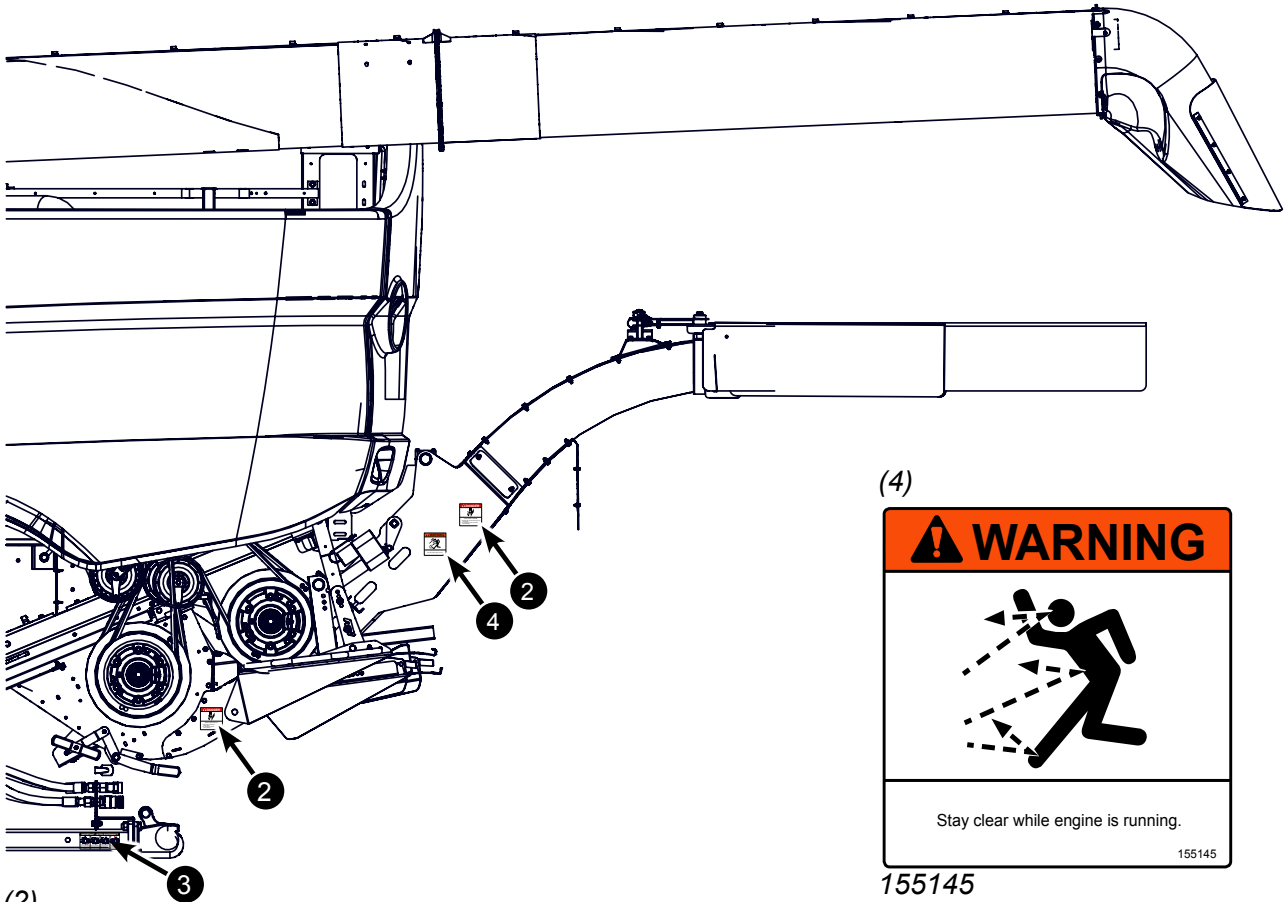
Do not swing the unloading auger out/in when turning to the left.

- Damage may occur to the unloading auger and the accumulator.
- Refer to Operator's Manual for additional information.

155156



155156



(2)

DANGER



PINCH POINT HAZARD

- Keep hands, feet and body away from moving parts.
- Do not stand or climb on machine when operating.

155139

155139

(4)

WARNING




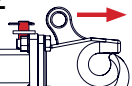

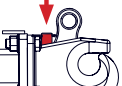
Stay clear while engine is running.

155145

155145

(3)

IMPORTANT - HITCH DISCONNECT

<p>1</p>  <p>PULL BOTTOM LATCH FORWARD</p>	<p>2</p>  <p>PULL TOP LATCH FORWARD</p>	<p>3</p>  <p>REMOVE RED PIN FROM HOLDER</p>	<p>4</p>  <p>USE PIN TO HOLD TOP LATCH FORWARD. PULL AWAY FROM SPRB.</p>
---	--	---	---

155213

155213

Model JB510 Single Pass Round Bale System
For Serial Numbers 14001-14999



(1)



155188

(2)



155187



(3)



155189

(4) - Yellow Reflective Tape (2" x 12")



Model JB510 Single Pass Round Bale System
For Serial Numbers 14001-14999

Marketing Decals		
Decal	Description	Quantity/Unit
155187	DECAL, SPRB ON VENT	2
155188	DECAL, SPRB ON HITCH	2
155189	DECAL, SPRB ON SPOUT	1
Safety Decals		
Decal	Description	Quantity/Unit
155136	DECAL, HYDRAULIC WARNING	2
155137	DECAL, KEEP SHIELDS IN PLACE CAUTION	2
155138	DECAL, FLYING DEBRIS CAUTION	2
155139	DECAL, PINCH POINT DANGER	6
155140	DECAL, DO NOT TRANSPORT WITH MATERIAL IN CART WARNING	2
155141	DECAL, SPOCKET WARNING	2
155142	DECAL, LOOSEN SPROCKET PRIOR TO ADJUSTING WARNING	2
155143	DECAL, FEED ROLLS AND CONVEYOR WARNING	2
155144	DECAL, FIRE WARNING	2
155145	DECAL, STAY CLEAR WARNING	2
155156	DECAL, LEFT TURN WARNING	1
155213	DECAL, HITCH DISCONNECT	2
155231	DECAL, HYDRO MOTOR REMOVAL	1

Model JB510 Single Pass Round Bale System
For Serial Numbers 14001-14999

Hillco Technologies, Inc.
107 1st Avenue
Nezperce, Idaho 83543

Phone	800-937-2461
	208-937-2461
Fax	208-937-2280

www.hillcotechnologies.com
email: support@hillcotechnologies.com