

Model 2955S
Sidehill Leveling System
Parts Manual

SN 2955S-1301 thru 2955S-1399

D-080911ADL01



TABLE OF CONTENTS

1 GENERAL INFORMATION	1-3
Serial Number Location	1-3
Text Format and Illustrations	1-3
Abbreviations.....	1-3
Right and Left Identification	1-3
Parts Orders	1-3
2 TRANSITION	2-1
Transition Fasteners.....	2-3
3 CARRIAGE	3-1
Carriage Fasteners.....	3-3
Shift Linkage Assembly	3-5
4 DROP AXLE	4-1
5 ELECTRICAL BOX AND CAB DISPLAY BOX	5-1
Electrical Cables.....	5-3
6 HYDRAULICS	6-1
Hydraulic Leveling Manifold.....	6-3
Hydraulic Trim Manifold.....	6-5
Hydraulic Hoses	6-7
Hydraulic Adapters	6-8
7 MISCELLANEOUS	7-1
8 PART NUMBER INDEX	8-1
Part Number Index (Continued).....	8-2

Model 2955S Hillco Leveling System
For Serial Numbers 2955S-1301 thru 2955S-1399

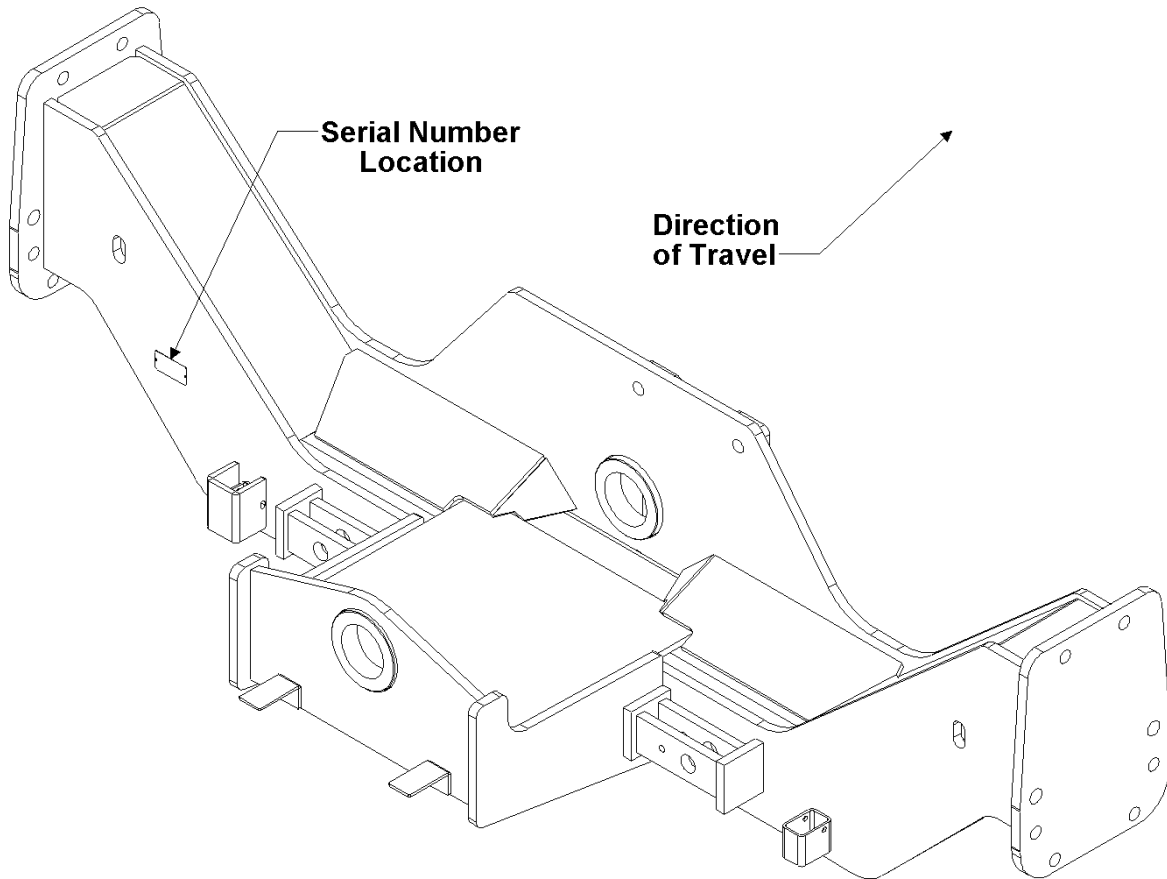
Hillco Technologies, Inc.
107 1st Avenue
Nezperce Id. 83543

Fax	208.937.2280
Phone	208.937.2461
Toll Free	800.937.2461

www.hillcotechnologies.com

1 GENERAL INFORMATION

SERIAL NUMBER LOCATION



TEXT FORMAT AND ILLUSTRATIONS

The arrangement of this parts catalog is for easy identification of parts. All parts are illustrated in exploded views in proper relation to each other. Some diagrams refer to other pages for further information. Reference numbers used in the illustrations refer to line numbers in the part lists. The part lists appear to the right of all diagrams and correspond with those diagrams. Included in the part lists, along with the reference numbers are part numbers, part descriptions and the quantity of the part required per leveling system.

ABBREVIATIONS

SN "Serial Number" refers to the serial number given to each leveling system (by Hillco Technologies), as well as the serial number given to the combine (by the specific combine manufacturer) the leveling system is installed upon. This abbreviation is used interchangeably in both instances. Each model 2955S Leveling System uses the following serial number format: 2955S-XXXX (sequential numbers).

ASM "Assembly" refers to a whole grouping of parts (usually shown in the diagram corresponding with the page where "ASM" is shown unless otherwise noted). Some assemblies have parts that are sold separately, however some must be purchased as a single unit. Hillco Product Specialists will be able to assist you with any questions.

NS "Not Shown" refers to a part that is not depicted in the illustration.

RIGHT AND LEFT IDENTIFICATION

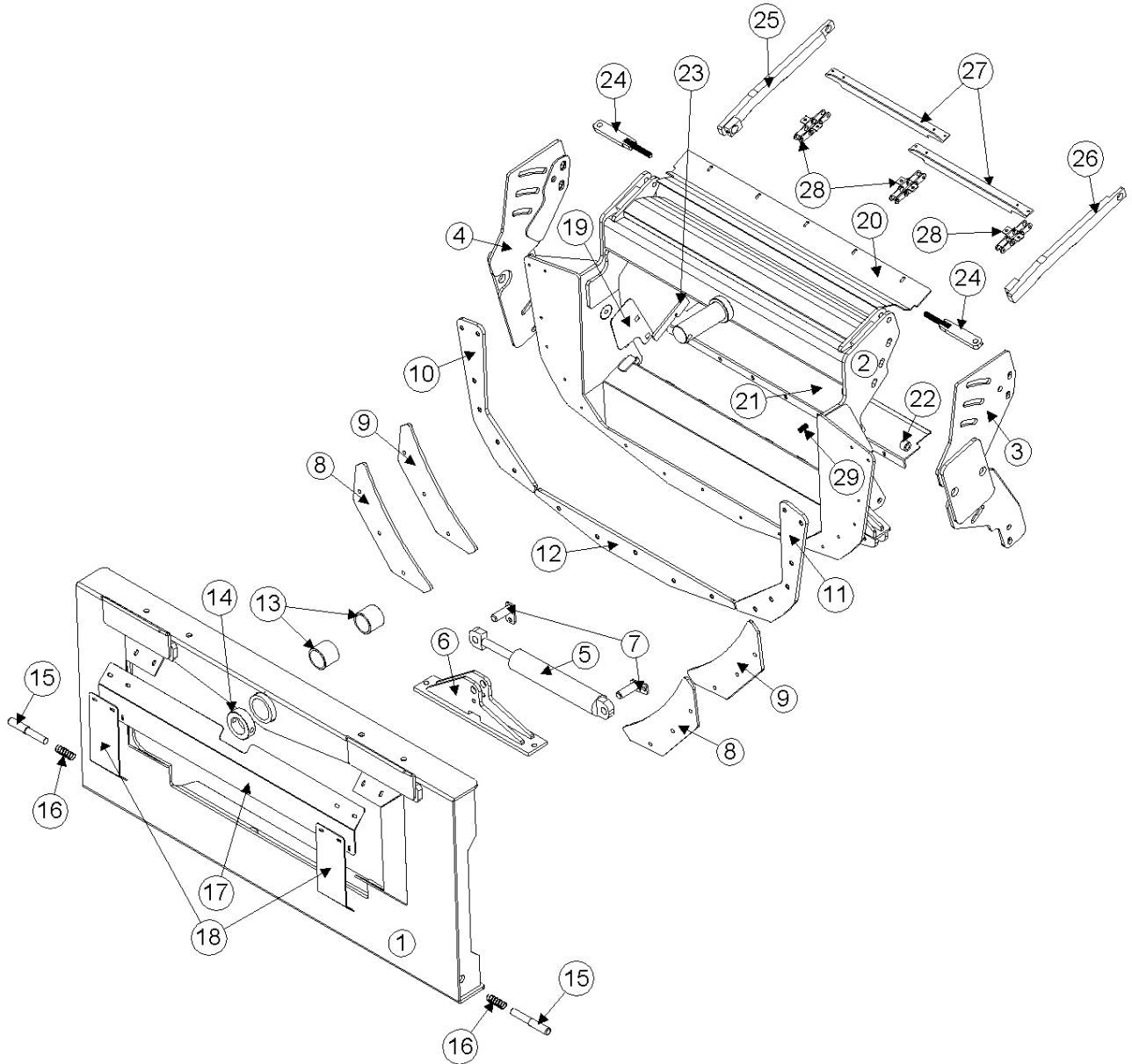
The reference to right-hand and left-hand in this catalog is identified by the operator sitting in the operator's seat, looking toward the front of the machine (in normal forward travel).

PARTS ORDERS

Orders must specify product model, serial number, correct part number, complete description, quantity required, method of shipment, shipping address, and billing address.

Model 2955S Hillco Leveling System
For Serial Numbers 2955S-1301 thru 2955S-1399

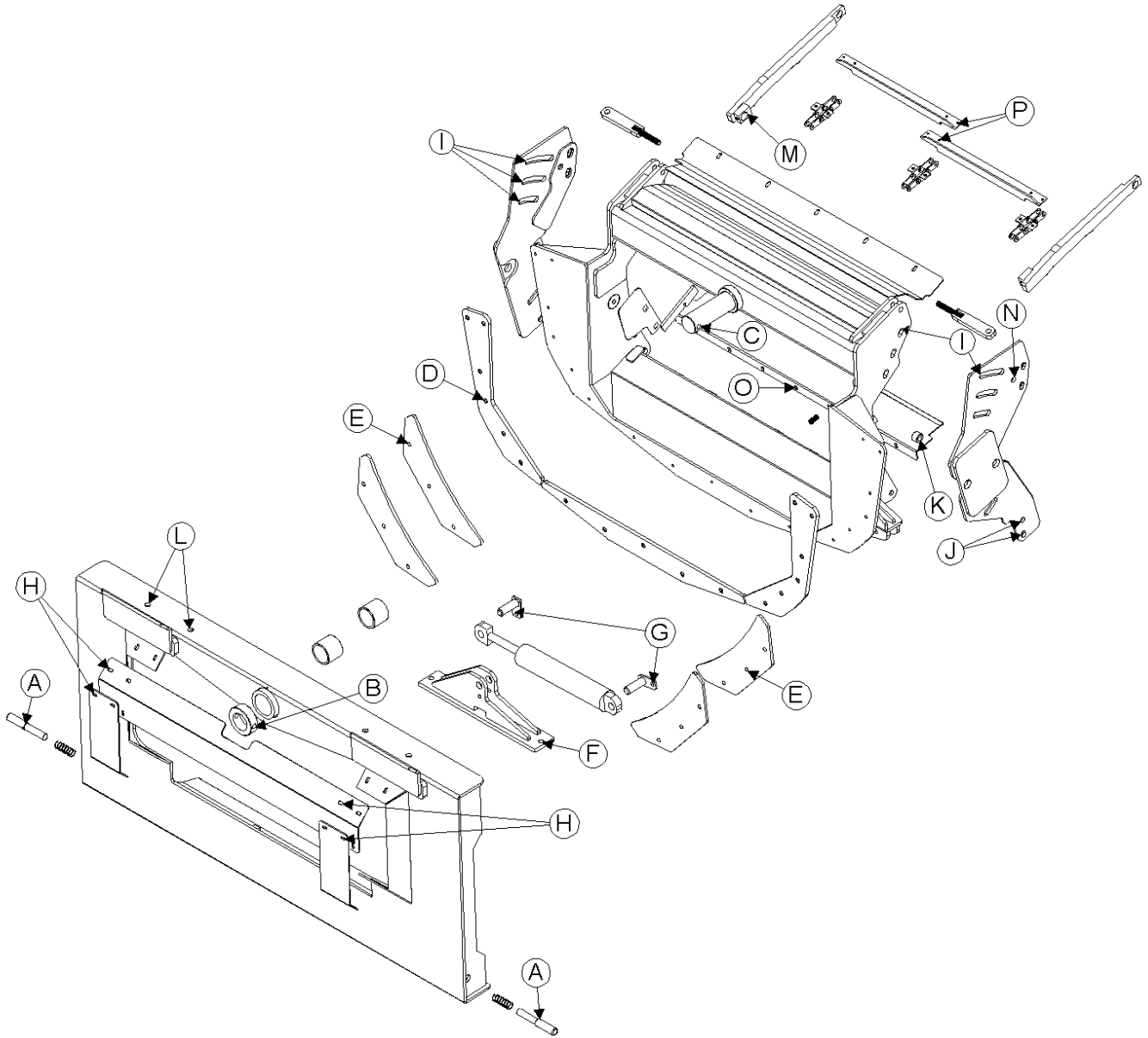
2 TRANSITION



Model 2955S Hillco Leveling System
For Serial Numbers 2955S-1301 thru 2955S-1399

TRANSITION COMPONENTS				
REF.	PART NO.	QTY.	PART NAME	NOTES
1	LA-253163	1	TA ASM	
2	LA-253223	1	TT ASM, FRONT	
3	LA-260891	1	TT ASM, REAR LEFT	
4	LA-260771	1	TT ASM, REAR RIGHT	
5	HC-138581	1	CYLINDER, SLAVE	**SEE HYDRAULIC PAGE 8-2
6	LA-250713	1	TM ASM, SLAVE CYLINDER ROD MOUNT	
7	LA-253883	2	LM ASM, PIN	
8	LP-250551	2	TM UHMW, BACKING WEARPAD	
9	LM-250541	2	TM PLT, BACKING	
10	LM-250571	1	TM UHMW, RIGHT WEARPAD	
11	LM-250561	1	TM UHMW, LEFT WEARPAD	
12	LM-250581	1	TM UHMW, BOTTOM WEARPAD	
13	LTP-241721	2	BUSHING, PIVOT	
14	LM-226841	1	TM COLLAR, PIVOT	
15	LM-229192	2	TM ROD, LOCK	
16	MC-135531	2	TM SPRING, LOCK PIN	
17	LP-253452	1	TM PLATE, TOP SHIELD	
18	LP-250534	2	TM PLT, LEFT & RIGHT SHIELD	
19	LP-260791	2	TM SHEET, ANTI-LEAK	
20	LP-260901	1	TM SHIELD, TOP	
21	LP-260911	1	TM PLATE, FLEX FLOOR	
22	LM-260821	2	TM BUSHING, PIVOT OUTER	
23	LP-261351	2	TM UHMW, THROAT SEAL	
24	LA-261021	2	TM ASM, DRAG LINK	
25	LA-260851	1	TM ARM ASM, FEEDER DRUM RHT	
26	LA-260861	1	TM ARM ASM, FEEDER DRUM LFT	
27	MC-143451	2	FEEDER CHAIN SLAT, 9560 STS	JD PART NUMBER H203392
28	LA-265602	3	CA-557 FDR CHAIN ASM W/ K25 ATTACHMENTS	LENGHTENS ORIGINAL FEEDER HOUSE CHAIN
NS	MC-146551	3	CHAIN LINK-W/K25 ATTACHMENT CA557	
29	MC-143591	7	SPRING, COMPRESSION .703 OD X 1.09 LENGTH X .125 WIRE DIA.	
NS	MC-140261	3	CONNECTING LINK, JD HD CHAIN	
NS	MC-142261	6	S-WIRE KEEPER PINS	JD PART NUMBER H204865

Model 2955S Hillco Leveling System
For Serial Numbers 2955S-1301 thru 2955S-1399
TRANSITION FASTENERS

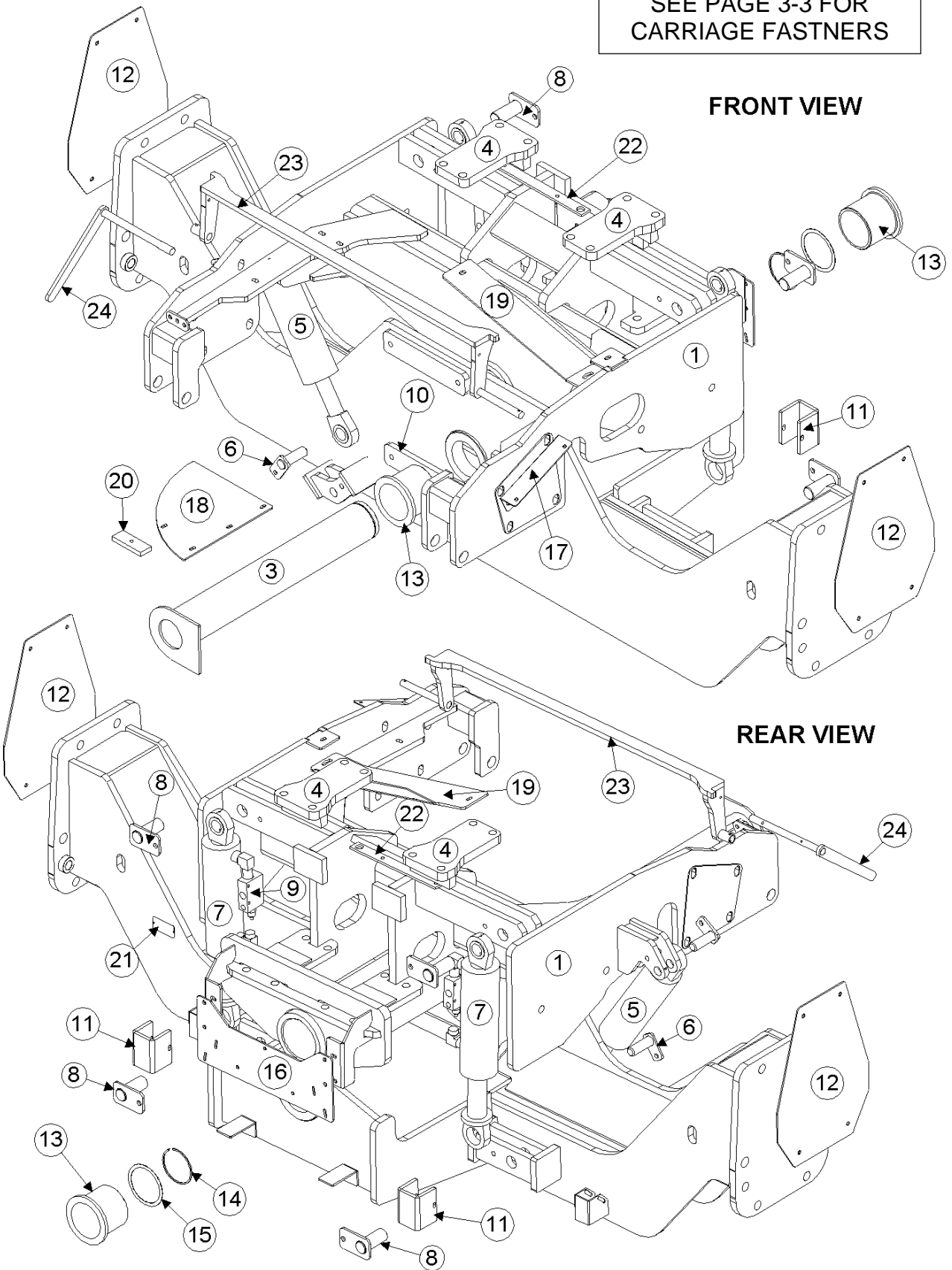


Model 2955S Hillco Leveling System
For Serial Numbers 2955S-1301 thru 2955S-1399

TRANSITION FASTENERS				
REF.	PART NO.	QTY.	PART NAME	WHERE USED
A	F-HC-10M070E	2	HC-10.9 M10 X 1.5 X 70	HEADER LOCK PINS
B	F-HC-16M120E	1	HC-10.9 M16 X 2.00 X 120	MAIN PIVOT PIN COLLAR
B	F-HNS-16ME	1	HN-10.9 M16 X 2.00 STV	MAIN PIVOT PIN COLLAR
C	F-MB-14NR40	4	MACH BUSH 14 GA NR 2-1/2" ID	MAIN PIVOT PIN
D	F-FHS-8M030E	17	FHSC-10.9 M8 X 1.25 X 30	UHMW FACE PLATE
D	F-HNS-8ME	17	HN-10.9 M8 X 1.25 STV	UHMW FACE PLATE
E	F-HCF-12M040E	6	FLHC-10.9 M12 X 1.75 X 40	BACKING PLATES
F	F-HNS-16ME	3	FLHN-10.9 M16 X 2.00	SLAVE CYLINDER ROD MOUNT
F	F-HCF-16M040E	3	FLHC-10.9 M16 X 2.00 X 40	SLAVE CYLINDER ROD MOUNT
G	F-HCF-12M040E	2	FLHC-10.9 M12 X 1.75 X 40	SLAVE CYLINDER MOUNT PIN
G	F-HNS-12ME	2	HN-10.9 M12 X 1.75 STV	SLAVE CYLINDER MOUNT PIN
H	F-HNF-08ME	12	FLHN-10.9 M8 X 1.25	SHIELDS
H	F-HCF-8M020E	12	FLHC-10.9 M8 X 1.25 X 20	SHIELDS
I	F-CB-16M050E	9	CARR-10.9 M16 X 2.0 X 50	CONNECTS FRONT & REAR THROATS
I	F-HNF-16ME	9	FLHN-10.9 M16 X 2.00	CONNECTS FRONT & REAR THROATS
I	MC-143641	9	FW 17.5 X 56 X 5	CONNECTS FRONT & REAR THROATS
I	MC-143641	2	FW 17.5 X 56 X 5MM	DRILLED HOLE
J	F-CB-16M050E	4	CARR-10.9 M16 X 2.0 X 50	REAR THROAT TO FEEDERHOUSE
K	F-HCF-16M040E	2	FLHC-10.9 M16 X 2.0 X 40	TRANSITION PIVOT BOLTS
K	MC-143641	2	FW 17.5 X 56 X 5	TRANSITION PIVOT BOLTS
L	F-HNF-16ME	4	FLHN-10.9 M16 X 2.00 NUT	HEADER TOP SPACER PLATES
M	F-PCT-02X16	2	PIN COTTER 1/8 X 1	PINS FOR FEEDER DRUM ARMS
N	F-HC-16M050E	2	HC-10.9 M16 X 2.0 X 50	DRILLED HOLE TRANSITION TO FEEDERHOUSE
N	F-HNF-16ME	2	FLHN-10.9 M16 X 2.00	DRILLED HOLE TRANSITION TO FEEDERHOUSE
O	F-CB-10M050F	8	CARR-8.8 M10 X 1.50 X 50	FLOOR HINGE
O	F-HNN-10MF	8	HN-8.8 M10 X 1.50 NYLOCK	FLOOR HINGE
P	F-HC-8M020E	8	HC-10.9 M8 X 1.25 X 20	FEEDER CHAIN SLATS TO CHAIN - JD PART NUMBER 19M7881
P	F-HNS-8ME	8	HN-10.9 M8 X 1.25 STV	FEEDER CHAIN SLATS TO CHAIN - JD PART NUMBER E64256

3 CARRIAGE

SEE PAGE 3-3 FOR
CARRIAGE FASTNERS

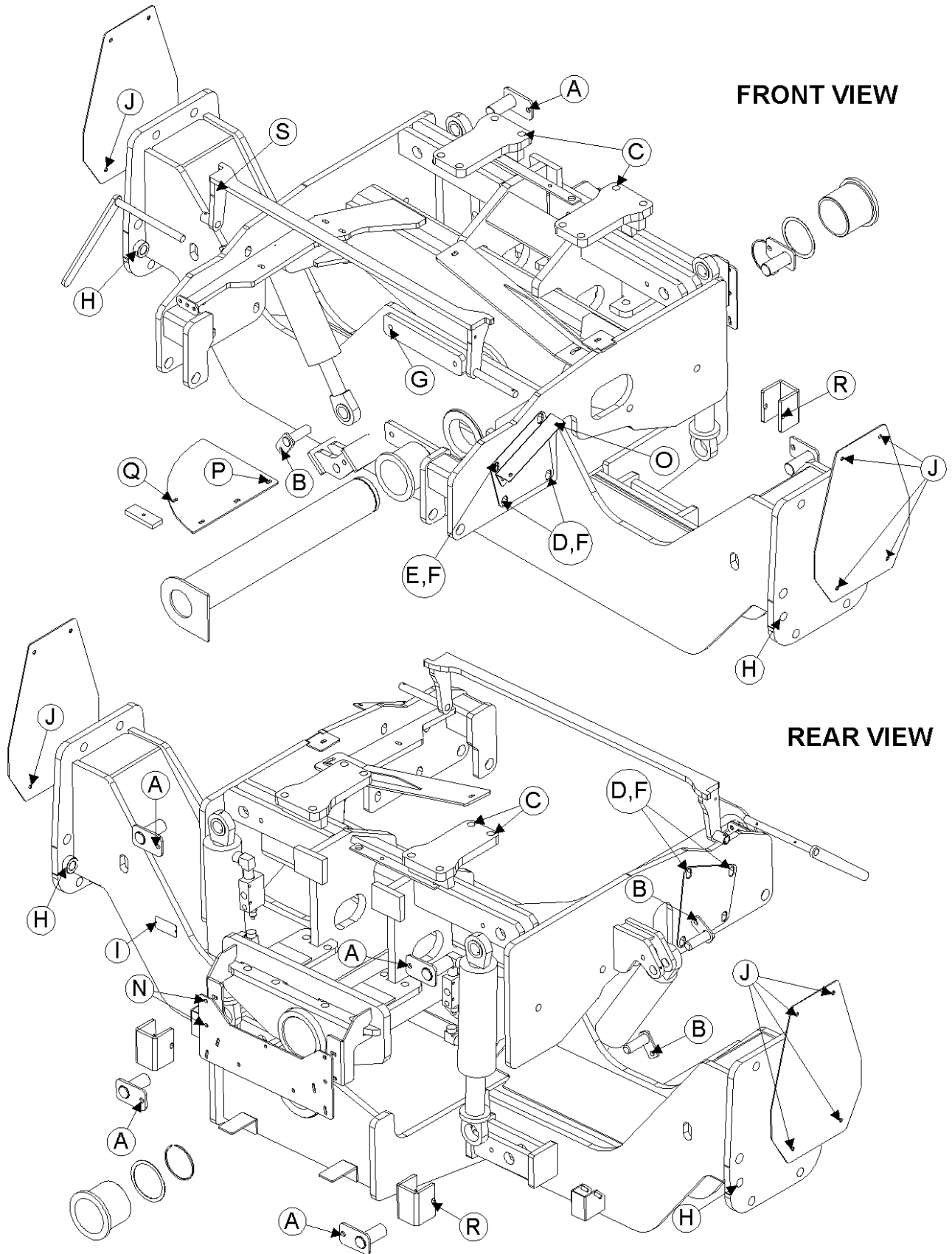


Model 2955S Hillco Leveling System
For Serial Numbers 2955S-1301 thru 2955S-1399

CARRIAGE COMPONENTS				
REF.	PART NO.	QTY.	PART NAME	NOTES
1	LA-253443	1	CO ASM	
2	LA-253082	1	CU ASM	
3	LA-247482	1	CM ASM, MAIN PVT PIN	
4	LA-266341	2	CM PLATE ASM, TOP	
5	HC-140341	1	CYLINDER, MASTER	**SEE HYDRAULIC PAGE 8-2
6	LA-253883	2	LM ASM, PIN	
7	HC-140312	2	CYLINDER, MAIN LEVELING	**SEE HYDRAULIC PAGE 8-2
8	LA-230552	4	CM PIN ASM, MAIN CYLINDER	
9	HC-138901	2	VALVE, COUNTERBALANCE	**SEE HYDRAULIC PAGE 8-2
10	LM-260591	1	CM PLATE, TRANSMISSION MOUNT	
11	LP-254431	2	LM PLATE, CYLINDER STOP	
12	LP-230241	2	CM CAP, AXLE	
13	LP-247961	2	CM BUSHING, PIVOT	
14	MC-138651	1	SNAP RING 4"	
15	MC-138641	4	WASHER 4.016" ID X 4.764" OD X .048"	
16	LP-261431	1	EM PLATE, ELECTRICAL MOUNT	
17	LP-261531	1	HM SUPPORT, HDR LIFT CYL HOSE	
18	LP-261121	1	HM TABLE, HYDRO HOSE	
19	LM-261102	1	HM MOUNT, HYDRO CLAMP	PLT A36 1/4
20	LM-261091	3	HM FLAT, CLAMP SPACER	
21	LA-255971	1	TAG, SERIAL NUMBER	
22	LM-248781	1	LM FLT, BRAKELINE BRKT	
23	LA-264521	1	LM ASM LINKAGE	ROCK TRAP
24	LA-264501	1	LM ASM HANDLE	ROCK TRAP
CARRIAGE OPTIONS FOR COMBINES WITH DUAL TIRES; REQUIRED ON 9560 STS COMBINES RUNNING DUAL TIRES				
NS	LA-253131	1	LM ASM, 9.25 AXLE EXTENSION KIT	
MISCELLANEOUS CARRIAGE COMPONENTS AND FASTENERS				
NS	MC-142921	2	EMERGENCY BRAKE CABLE	
NS	MC-141551	1	CABLE, SHIFT	SUBS TO JOHN DEERE CABLE PART NUMBER AH128356
NS	F-HNN-8MF	2	HN- 8.8 M8 X 1.25 NYLOCK	NUT, FOR BRAKE CABLE

Model 2955S Hillco Leveling System
For Serial Numbers 2955S-1301 thru 2955S-1399

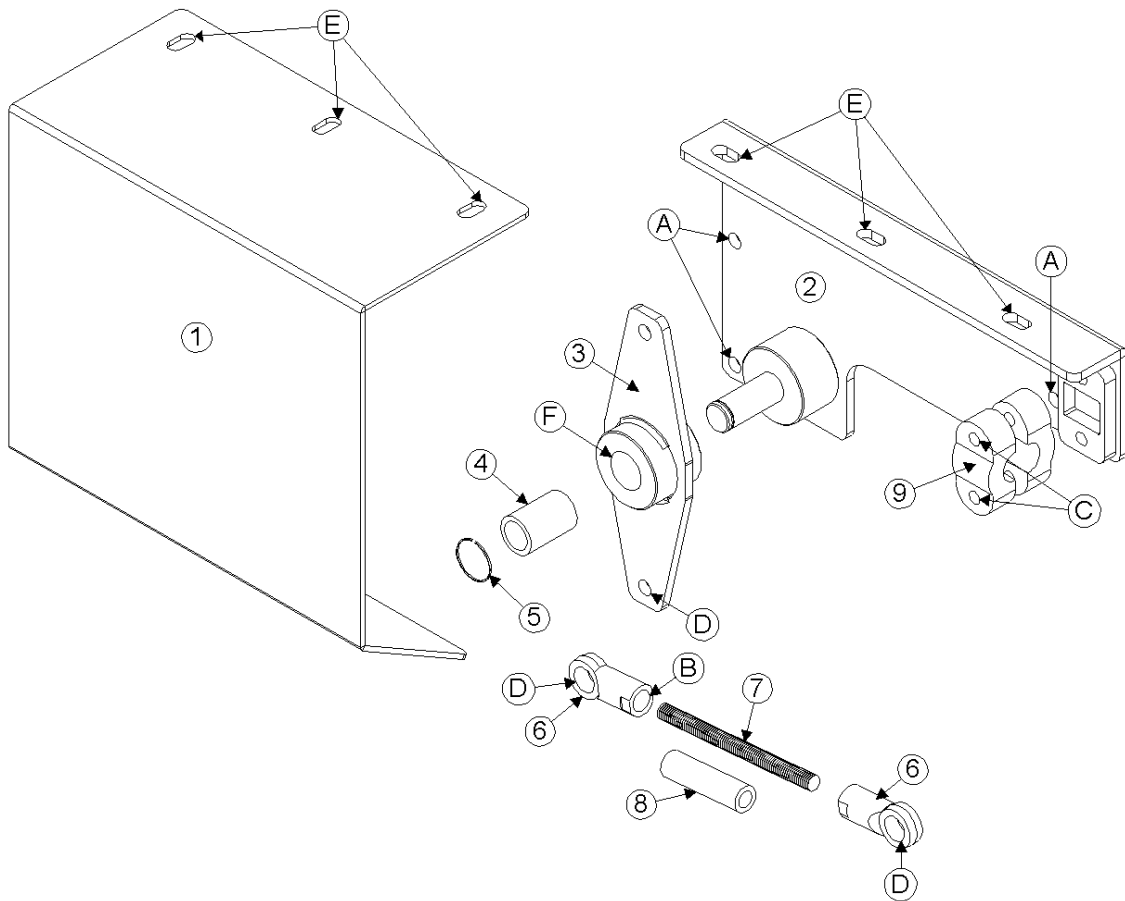
CARRIAGE FASTENERS



Model 2955S Hillco Leveling System
For Serial Numbers 2955S-1301 thru 2955S-1399

CARRIAGE FASTENERS				
REF.	PART NO.	QTY.	PART NAME	WHERE USED
A	F-HCF-12M040F	4	FLHC-8.8 M12 X 1.75 X 40	LEVELING CYL MNT PIN
A	F-HNS-12ME	4	HN-10.9 M12 X 1.75 STV	LEVELING CYL MNT PIN
B	F-HCF-12M045E	2	FLHC-10.9 M12 X 1.75 X 45	MASTER CYL MNT PIN
B	F-HNS-12ME	2	HN-10.9 M12 X 1.75 STV	MASTER CYL MNT PIN
C	F-HC8-12C240	8	HC8 3/4-10 X 15	OVERCARRIAGE CLAMP
C	F-HNS-12C	8	HN8 3/4-10 STV	OVERCARRIAGE CLAMP
D	F-HC-16M110E	6	HC-10.9 M16 X 2.00 X 110	OVERCARRIAGE FRONT RIGHT & BOTTOM LEFT
E	F-HC-16M120E	2	HC-10.9 M16 X 2.00 X 120	OVERCARRIAGE FRONT LEFT TOP
F	F-FWH-10	8	FW 5/8 H	OVERCARRIAGE FRONT
G	F-HNF-16ME	4	FLHN-10.9 M16 X 2.00	BTM & TOP TRANSMISSION MNT HOLES
H	F-SHC-24M080E	4	SHCS 10.9-M24 X 3 X 80 ZINC	FINAL
I	F-UDS-#7X06	2	SCREW, U-DRIVE #7 X 3/8	SERIAL NUMBER PLATE
J	F-HCF-10M040E	8	FLHC-10.9 M10 X 1.50 X 40	ORIGINAL AXLE COVER
J	F-HNF-10ME	8	FLHN-10.9 M10 X 1.50	ORIGINAL AXLE COVER
J	F-FWF-06020	8	3/8 FW FENDER X 1-1/4	ORIGINAL AXLE COVER
K	MC-143711	4	STUD, DOUBLE-ENDED-10.9 M16 X 2.00 X 75	LOWER TRANSMISSION MOUNTING HOLES ON PLATE & UC
L	MC-143721	2	STUD, DOUBLE-ENDED-10.9 M16 X 2.00 X 90	UPPER TRANSMISSION MOUNTING HOLES ON UC
M	F-HNF-16ME	2	FLHN-10.9 M16 X 2.00	LOWER STUDS THAT HOLD PLATE TO UC
N	F-HNF-08ME	4	FLHN-10.9 M8 X 1.25	ELECTRICAL BOX TO OC
N	F-HCF-8M020E	4	FLHC- 10.9 M8 X 1.25 X 20	ELECTRICAL BOX TO OC
O	F-HCF-8M030E	3	FLHC-10.9 M8 X 1.25 X 30	HOSE CLAMPS FOR HDR LIFT CYL HOSES
O	F-HNF-8ME	3	FLHN-10.9 M8 X 1.25	HOSE CLAMPS FOR HDR LIFT CYL HOSES
P	F-HCF-8M020E	2	FLHC-10.9 M8 X 1.25 X 20	HYDRO HOSE TABLE TO TRANSMISSION
Q	F-HCF-8M020E	1	FLHC-10.9 M8 X 1.25 X 20	CASE DRAIN HOSE
Q	F-HNF-08ME	2	FLHN-10.9 M8 X 1.25	CASE DRAIN HOSE
R	F-PSL-04X48	2	SNAP LOCK PIN	SHIPPING SPACERS ON CYLINDER
S	F-HC-06M035E	1	HC 10.9 M6 X 1.0 X 35 PLT	ROCK TRAP
S	F-HNN-06MF	1	HN-8.8 M6 X 1.0 NYLOCK	ROCK TRAP

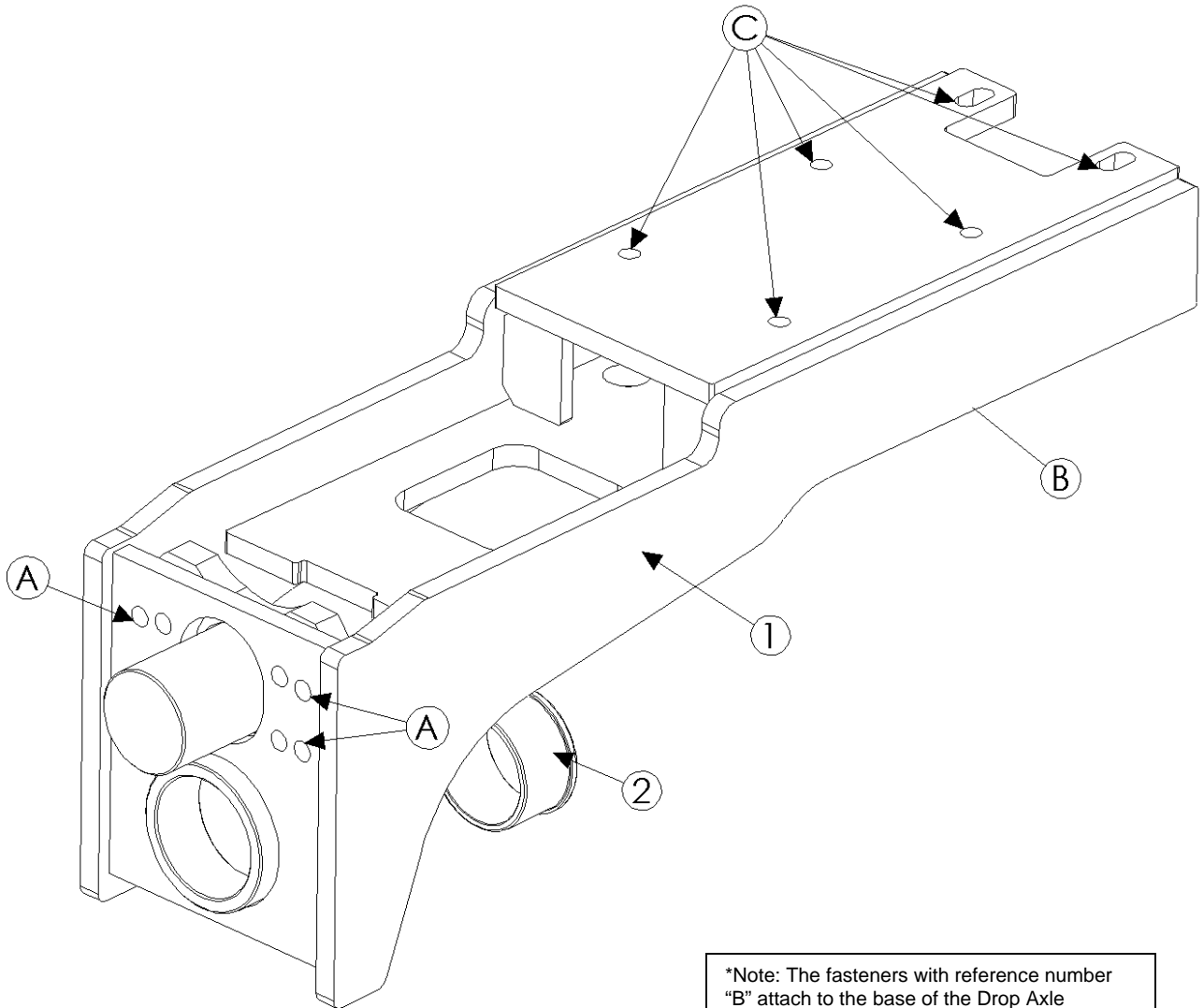
Model 2955S Hillco Leveling System
For Serial Numbers 2955S-1301 thru 2955S-1399
SHIFT LINKAGE ASSEMBLY



Model 2955S Hillco Leveling System
For Serial Numbers 2955S-1301 thru 2955S-1399

SHIFT LINKAGE ASSEMBLY				
REF.	PART NO.	QTY.	PART NAME	NOTES
1	LP-261651	1	LM SHIELD, SHIFT LINKAGE	
2	LA-261631	1	LM ASM, LINKAGE MOUNT	
3	LA-261621	1	LM ASM, LINKAGE ARM	
4	MC-143781	1	SLEEVE BEARING, NYLON, 3/4" ID X 1" OD	PIVOT ARM ASM
5	MC-143771	1	SNAP RING, EXTERNAL, .750	SECURES ARM ASM TO MOUNTING ASM
6	MC-143751	2	BALL JOINT, SHIFT LINKAGE	SUBS TO JD PART NUMBER AH125958
7	LM-261611	1	LM ALL THREAD, SHIFT LINKAGE	
8	LM-261601	1	LM PIPE, ALL THREAD STIFFNER	
9	MC-143761	1	CLAMP, SHIFT CABLE	SUBS TO JD PART NUMBER H133047
SHIFT LINKAGE FASTENERS				
REF.	PART NO.	QTY.	PART NAME	WHERE USED
A	F-HCF-10M040E	3	FLHC-10.9 M10 X 1.50 X 40	MOUNTS SHIFT LINKAGE TO TRANSMISSION
B	F-HNJ-10MF	3	HN-8.8 M10 X 1.50 JAM	ALL THREAD TO BALL JOINTS
C	F-HCF-08M070E	2	FLHC-10.9 M8 X 1.25 X 70	SHIFT LINKAGE CLAMPS
C	F-HNF-08ME	2	FLHN-10.9 M8 X 1.25	SHIFT LINKAGE CLAMPS
D	F-HNF-10ME	2	FLHN-10.9 M10 X 1.50	SECURES BALL JOINTS TO SHIFTING ARMS
E	F-HCF-8M020E	3	FLHC-10.9 M8 X 1.25 X 20	SHIELD
E	F-HNF-08ME	3	FLHN-10.9 M8 X 1.25	SHIELD
F	F-MB-18WR12	4	MACHINE BUSHING 18 GA WR 3/4" ID	SHIFT LINKAGE PIVOT SPACER

4 DROP AXLE

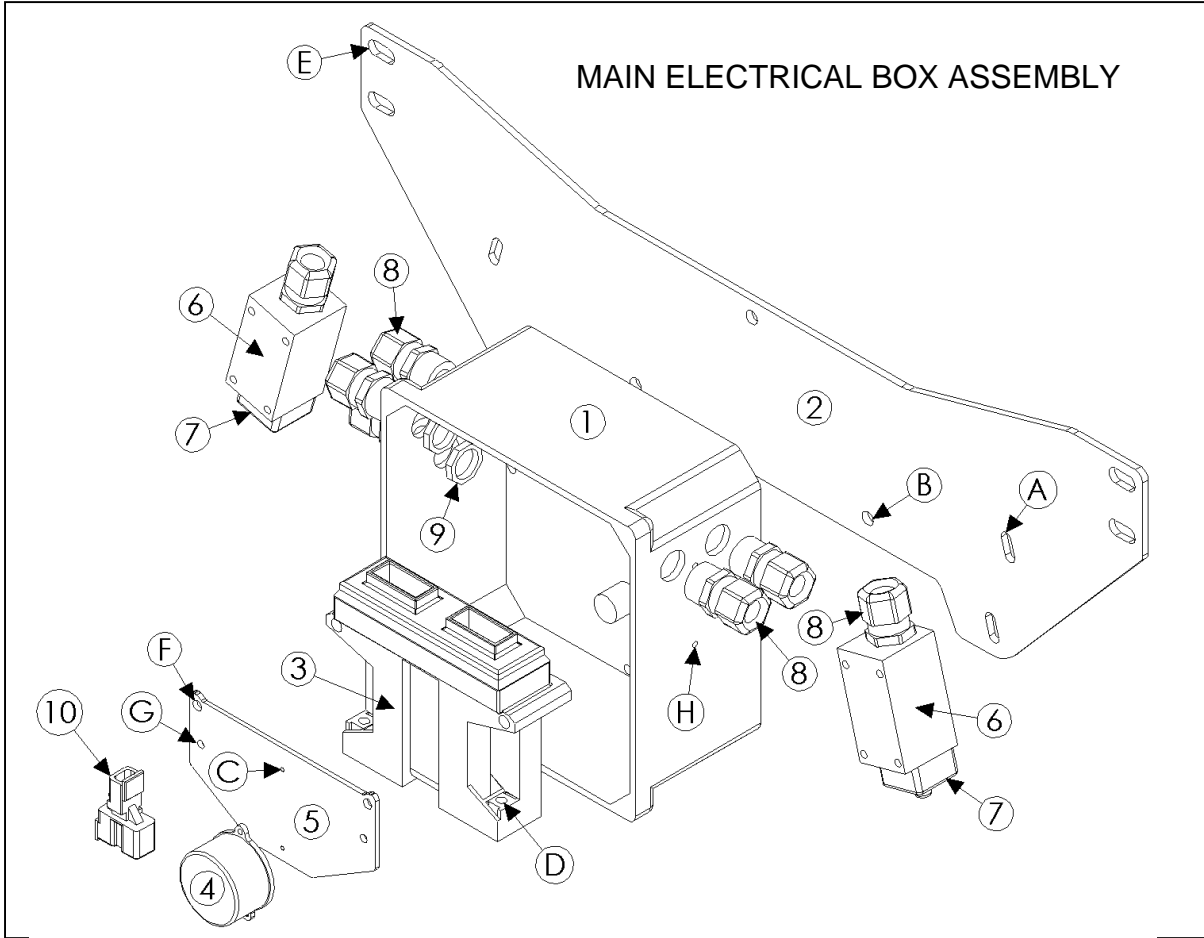


*Note: The fasteners with reference number "B" attach to the base of the Drop Axle Complete Assembly (LA-246703), however they cannot be seen in this view. The leader is pointing to the general area where they will be found.

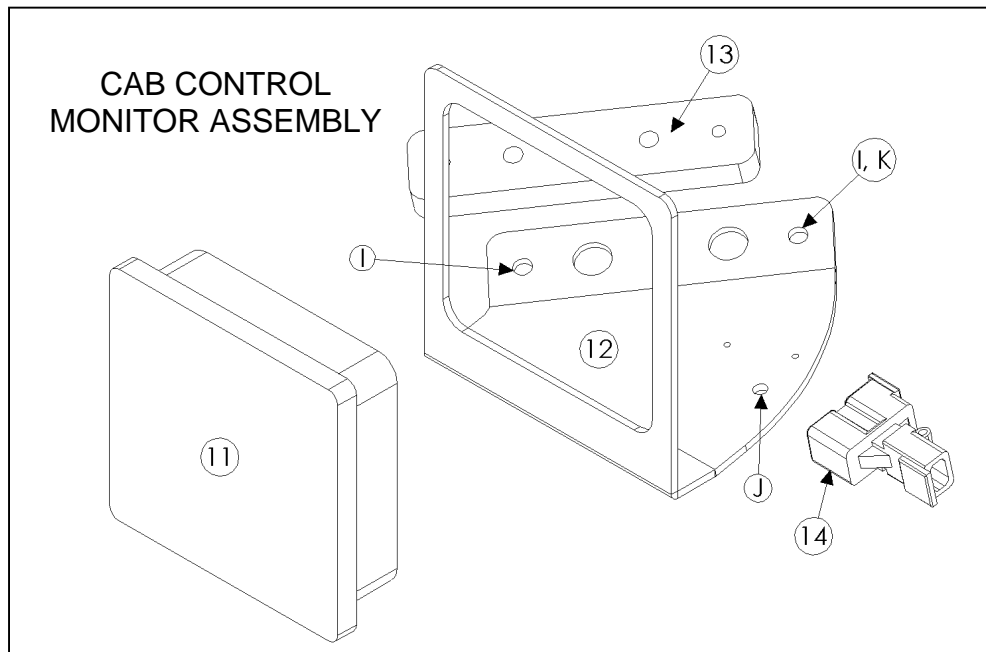
Model 2955S Hillco Leveling System
For Serial Numbers 2955S-1301 thru 2955S-1399

DROP AXLE COMPONENTS				
REF.	PART NO.	QTY.	PART NAME	NOTES
1	LA-254013	1	DA COMPLETE ASM	
2	LP-235092	1	LM BUSHING, DA PIVOT	
DROP AXLE FASTENERS				
REF.	PART NO.	QTY.	PART NAME	WHERE USED
A	F-HCF-16M070E	4	FLHC-10.9 M16 X 2.00 X 60	ATTACH SUB ASSEMBLIES
A	F-HNSF-16ME	4	HN-10.9 M16 X 2.00 FLNG STV	ATTACH SUB ASSEMBLIES
B	F-HC-16M250E	4	HC-10.9 M16 X 2.00 X 250	BOTTOM OF ASSEMBLY
C	F-HCF-16M060E	6	FLHC-10.9 M16 X 2.00 X 60	TOP OF ASSEMBLY

5 ELECTRICAL BOX AND CAB DISPLAY BOX



**Note: Line items numbers '4' and '10' refer to complete assemblies. The complete assemblies are not shown in this diagram. See page 5-3 for pictures of the complete assemblies.



Model 2955S Hillco Leveling System
For Serial Numbers 2955S-1301 thru 2955S-1399

ELECTRICAL COMPONENTS				
REF.	PART NO.	QTY.	PART NAME	NOTES
ASM	LA-265801	1	EM ASM, CONTROLLER	
1	LM-260301	1	EM BOX, CONTROLLER MOUNT	
2	LP-234653	1	EM MOUNT, CONTROL BOX	
3	LA-260092	1	CONTROLLER	
4	LA-261191	1	EM ASM, CLINOMETER	**SEE NOTE BELOW DIAGRAM
5	LM-255331	1	EM SHT, CLINOMETER MOUNT	
6	EC-100557	2	BODY, LIMIT SWITCH	
7	EC-100692	2	HEAD, LIMIT SWITCH STR PLUNGER	
8	EC-138781	7	STRAIN RELIEF, NYLON, BLK, 1/2 NPT	
9	EC-142121	5	STRAIN RELIEF NUT, 1/2" NYLON, BLK	
10	LA-265831	1	EM WIRE ASM, Y-CONNECTOR	**SEE NOTE BELOW DIAGRAM
ELECTRICAL FASTENERS				
REF.	PART NO.	QTY.	PART NAME	WHERE USED
A	F-PHM#10C28	4	PHMS 10-24 X 1-3/4	LIMIT SWITCH MNT
A	F-HNF-#10C	4	HN 10-24, FLNG, SERR	LIMIT SWITCH MNT
B	F-HC5-04C12	3	HC5 1/4-20 X 3/4	PVC BOX TO BRACKET
B	F-LW-04	3	LW 1/4	PVC BOX TO BRACKET
C	F-PHM-#6C06	2	PHMS #6-32 X 3/8	CLINOMETER MNT TO PLATE
D	F-PHM-04C24	2	PHMS 1/4-20 X 1-1/2	CONTROLLER TO PVC BOX
D	F-HNF-04C	2	FLHN 1/4-20, SERR	CONTROLLER TO PVC BOX
E	F-PHM-04C36	2	PHMS 1/4-20 X 2-1/4	GROUNDING PLATE MOUNTING
E	F-HNF-04C	2	FLHN 1/4-20, SERR	GROUNDING PLATE MOUNTING
F	F-PHM#10C16	1	PHMS 10-24 X 3/4	GROUNDING PLATE GROUND
F	F-HNF-#10C	1	HN5 10-24, FLNG, SERR	GROUNDING PLATE GROUND
F	F-HN-#10C	3	HN5 10-24	GROUNDING PLATE GROUND
G	F-PHM#10C16	1	PHMS 10-24 X 1	Y-CONNECTOR TO GROUND
H	F-PHM-#6C08	2	PHMS #6-32 X 1/2	CLINOMETER MNT TO BOX
H	F-HNF-#6C	1	FLHN #6-32 SERR.	CLINOMETER MNT TO BOX
CAB CONTROL MONITOR				
REF.	PART NO.	QTY.	PART NAME	NOTES
11	LA-270061	1	GRAPHICAL TERMINAL, S-D DP200	MOUNTING BRACKET, GASKET AND SCREWS, INCLUDED
12	LM-265501X	1	EM MOUNT, DISPLAY	
13	LM-265511X	1	EM MOUNT, DISPLAY SPACER	
NS	EC-146481	1	BUZZER, PIEZO ELECTRIC	
CAB CONTROL MONITOR FASTENERS				
REF.	PART NO.	QTY.	PART NAME	NOTES
I	F-HCF-06M016E	2	FLHC-10.9 M6 X 1.0 X 16	GRAPHICAL TERMINAL MOUNTING
J	F-PHM-#10C08	1	PHMS 10-24 X 1/2	Y-CONNECTOR MOUNTING
J	F-HN-#10C	1	HN5 10-24	Y-CONNECTOR MOUNTING
K	EC-142101	1	CLAMP, HOSE 3/8" R/C W/ 3/8 HOLE	ELECTRICAL CABLE SUPPORT IN CAB

ELECTRICAL CABLES



#1 LA-255631
EM CABLE ASM, LIMIT



#2 LA-255821
EM ASM, CLINOMETER



#3 LA-265831
EM WIRE ASM, Y-
CONNECTOR



#4 LA-255643
EM ASM, BOX TO VALVE



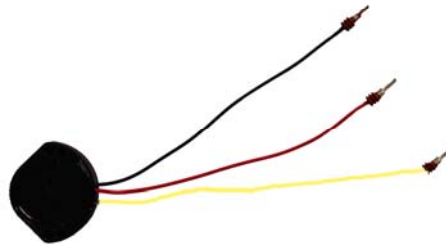
#5 LA-252462
EM CABLE ASM, MAX
LEVEL LIGHT



#6 LA-265771
EM CABLE ASM,
POWER & GROUND



#7 LA-265581
EM CABLE ASM, CAB
TO BOX



#8 LA-267621
EM ASM, TILT SENSOR
PATCH



#9 LA-263671 EM ALL CABLE
ASM, LEVELING MANIFOLD



#10 LA-260242 EM CABLE
ASM, TRIM SIGNAL



#11 LA-263681 EM ALL CABLE
ASM, LEVELING MANIFOLD

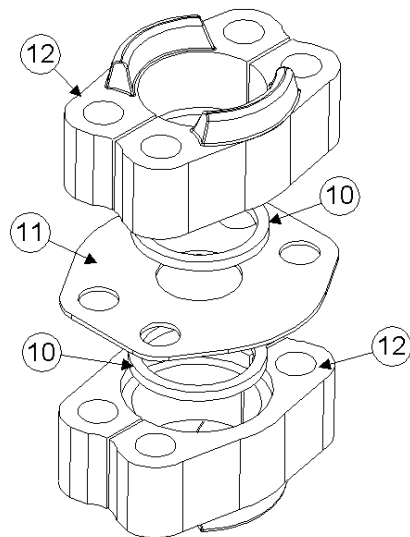
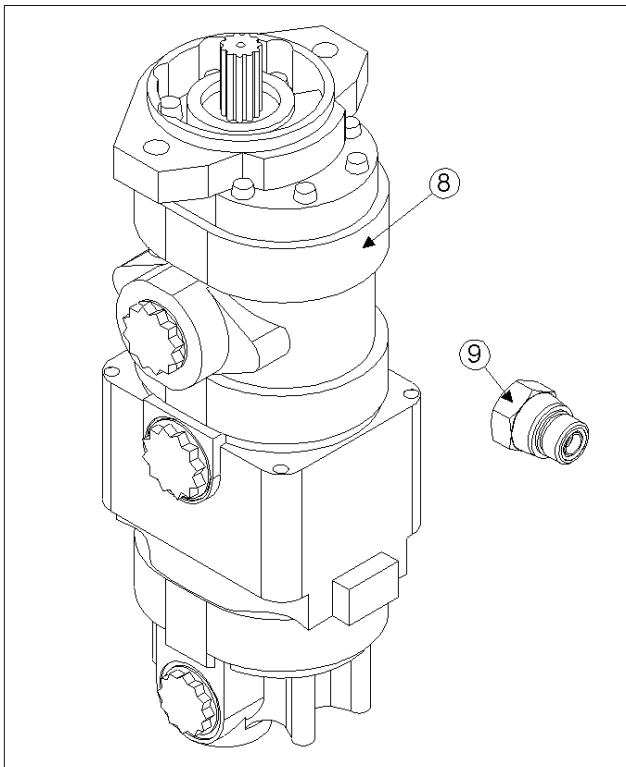
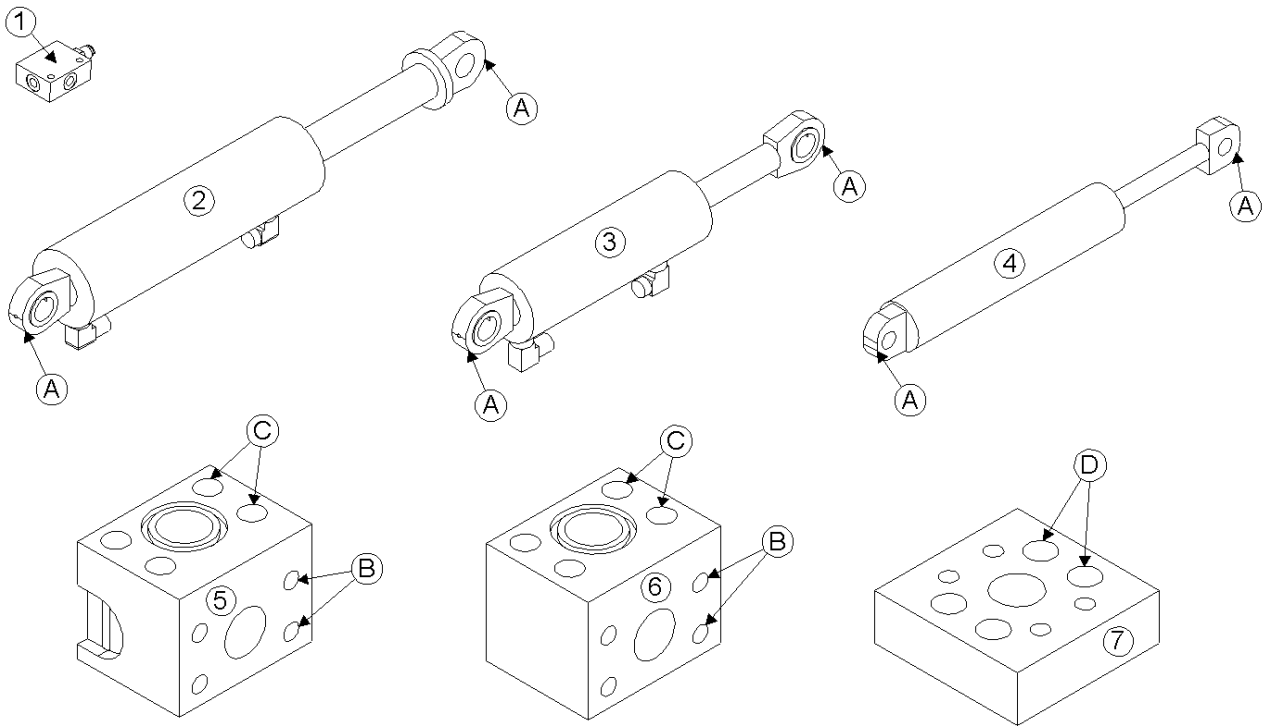


#12 LA-260222 EM CABLE
ASM, TRIM SIGNAL

Model 2955S Hillco Leveling System
For Serial Numbers 2955S-1301 thru 2955S-1399

ELECTRICAL CABLE ASSEMBLIES				
REF.	PART NO.	QTY.	PART NAME	DESCRIPTION
ALL COMBINES				
1	LA-255631	2	EM CABLE ASM, LIMIT SWITCH	
2	LA-255821	1	EM CABLE ASM, CLINOMETER	
3	LA-252462	1	EM CABLE ASM, MAX LEVEL LIGHT	
4	LA-255643	1	EM CABLE ASM, BOX TO VALVE	
5	LA-265831	1	EM WIRE ASM, Y-CONNECTOR	
6	LA-265771	1	EM CABLE ASM, POWER & GROUND	
7	LA-265581	1	EM CABLE ASM, CAB TO BOX	
8	LA-267621	1	EM ASM, TILT SENSOR PATCH	
FOR COMBINES WHICH FALL WITHIN THE FOLLOWING SERIAL NUMBER BREAKS: 9560STS (705401-715300)				
9	LA-263671	1	EM ALL CABLE ASM, LEVELING MANIFOLD	
..	LA-263611	1	EM CABLE ASM, LEVELING MANIFOLD	<i>INCLUDED IN LA-263671</i>
..	LA-263601	1	EM CABLE ASM, DUMP SIGNAL	<i>INCLUDED IN LA-263671</i>
10	LA-260242	1	EM CABLE ASM, TRIM SIGNAL	
FOR COMBINES WHICH FALL WITHIN THE FOLLOWING SERIAL NUMBER BREAKS: 9560 STS (715301-)				
11	LA-263681	1	EM ALL CABLE ASM, LEVELING MANIFOLD	
..	LA-263611	1	EM CABLE ASM, LEVELING MANIFOLD	<i>INCLUDED IN LA-263681</i>
..	LA-263621	1	EM CABLE ASM, DUMP SIGNAL	<i>INCLUDED IN LA-263681</i>
12	LA-260222	1	EM CABLE ASM, TRIM SIGNAL	

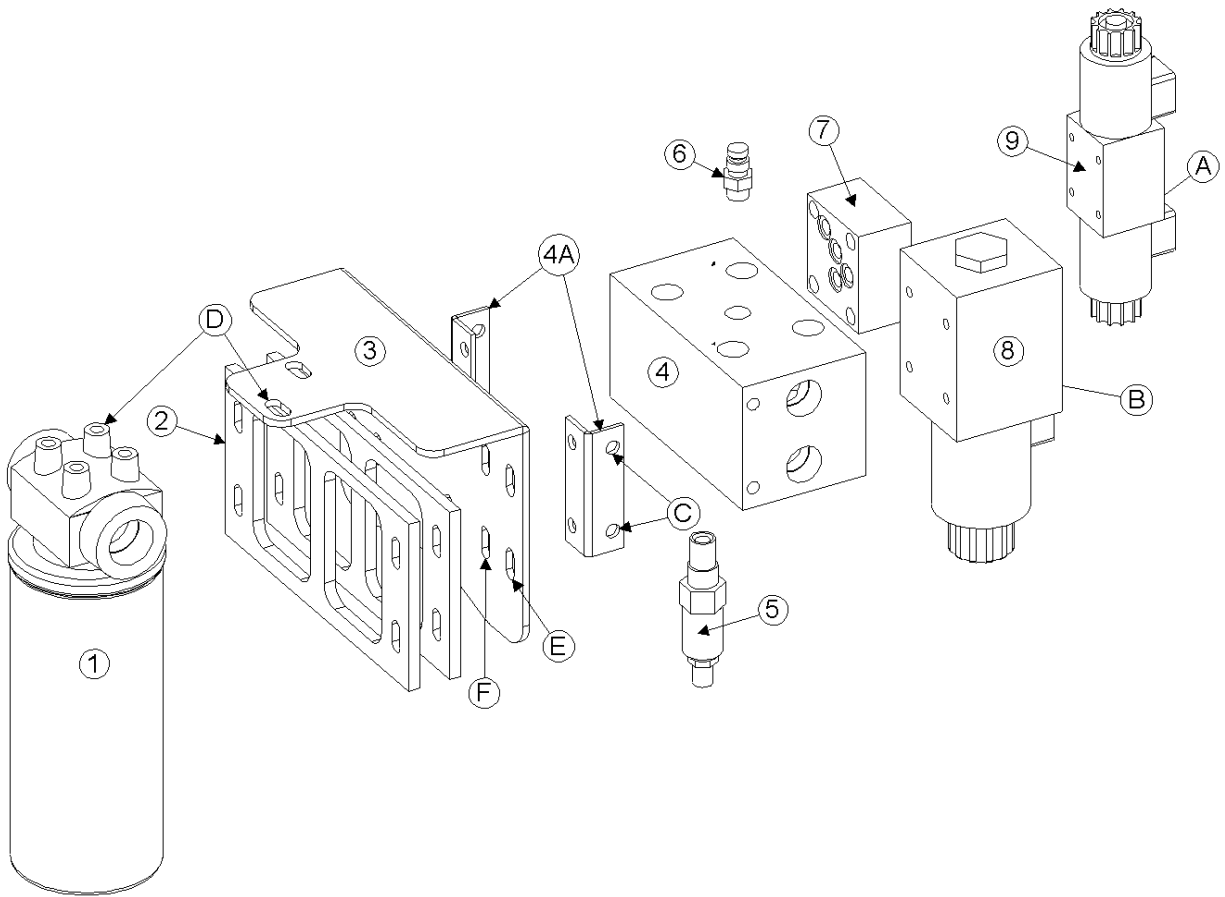
6 HYDRAULICS



Model 2955S Hillco Leveling System
For Serial Numbers 2955S-1301 thru 2955S-1399

HYDRAULIC COMPONENTS AND FASTENERS				
REF.	PART NO.	QTY.	PART NAME	NOTES
1	HC-138901	2	VALVE, COUNTER BALANCE	
..	HC-139161	2	CARTRIDGE, COUNTERBALANCE VALVE	
..	HC-139171	2	BODY, COUNTERBALANCE VALVE	
NS	HC-140361	2	SEAL KIT, COUNTERBALANCE VALVE	
2	HC-140312	2	CYLINDER, MAIN LEVELING	
NS	HC-142451	2	SEAL KIT, MAIN LEVELING CYLINDER	
3	HC-140341	1	CYLINDER, MASTER	
NS	HC-134201	1	SEAL KIT, MASTER CYLINDER	
4	HC-138581	1	CYLINDER, SLAVE	
NS	HC-141281	1	SEAL KIT, SLVE CYLINDER	
5	LM-261081	1	HM BLOCK, CODE 62 90°	MOUNTS TO BOTTOM PORT ON HYDRO MOTOR
6	HC-143361	1	CODE 62/CODE 62 ELBOW	MOUNTS TO BOTTOM PORT ON HYDRO MOTOR
7	HC-143371	1	CODE 62 90° ROTATIONAL ADAPTER	MOUNTS TO BOTTOM PORT ON HYDRO MOTOR
8	HC-143101	1	HYDRAULIC PUMP, HILLMASTER, TRIPLE M	JD PART NUMBER AH212540
9	LA-263651	1	HM ORIFICE ASM, PUMP ASM	
A	F-SSS-04F04	8	SET SCREW, 1/4-28 X 1/4	ALL CYLINDERS
B	F-HC8-07C24	8	HC8 7/16-14 X 1-1/2	CODE 62 SPLT FLANGE
C	F-HC8-07C52	8	HC8 7/16-14 X 3-1/4	THESE FASTENERS COME WITH ELBOWS
C	F-LWH-07	8	LW 7/16 HD	THESE FASTENERS COME WITH ELBOWS
D	F-SHC-07C20	4	SHCS 7/16-14 X 1-1/4	THESE FASTENERS COME WITH ROTATIONAL ADAPTER
D	F-LWHC-07	4	LW 7/16 HD HIGH COLLAR	THESE FASTENERS COME WITH ROTATIONAL ADAPTER
CODE 62 SPLIT FLANGE CONNECTOR KIT ASSEMBLY AND FASTENERS				
ASM	HC-101843	2	CODE 62 SLT FLNG CONNECTOR KIT WITH O-RINGS	FWD AND REVERSE PROPULSION HOSES
ONE HC-101843 KIT INCLUDES:				
10	HC-134911	3	O-RING, CODE 62 CONNECTOR	
11	HC-137891	1	PLATE, CODE 62	
12	HC-137901	2	CODE 62, #16 SPLIT FLANGE KIT (PAIR)	
NS	F-HC8-07C44	4	HC8 7/16 X 2-3/4	
NS	F-HN8-07C	4	HN8 7/16-14	

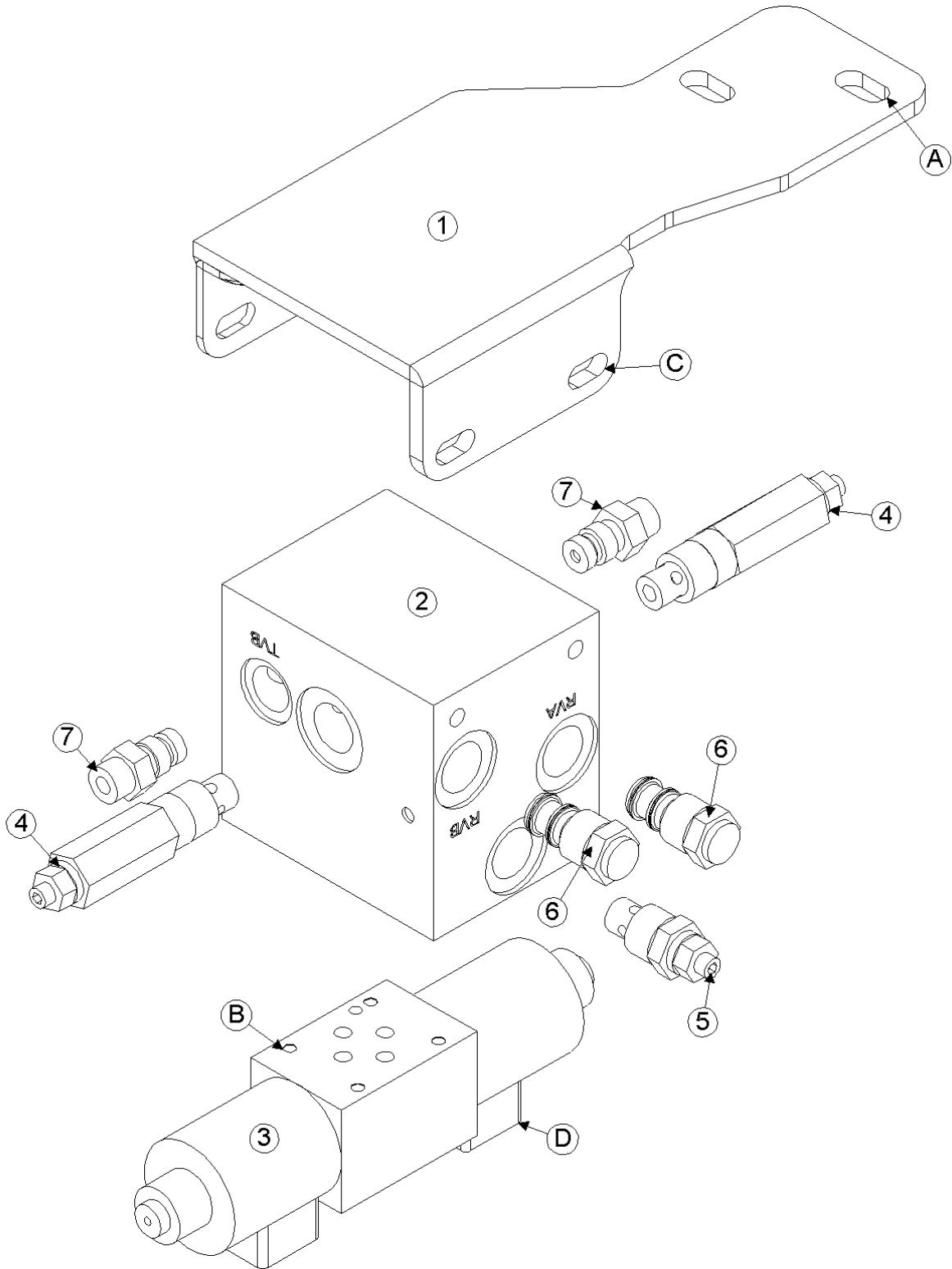
Model 2955S Hillco Leveling System
For Serial Numbers 2955S-1301 thru 2955S-1399
HYDRAULIC LEVELING MANIFOLD



Model 2955S Hillco Leveling System
For Serial Numbers 2955S-1301 thru 2955S-1399

LEVELING MANIFOLD COMPONENTS				
REF.	PART NO.	QTY.	PART NAME	NOTES
1	HC-143441	1	FILTER ASM, OIL	RETURN LINE TO TANK
2	LP-263321	2	PLATE, BACKING	
3	LP-263312	1	HM PLT, MANIFOLD MNT	
4	HC-138861	1	MANIFOLD, SINGLE STATION	SUBS TO HC-146352
4A	..	2	BRACKETS, MANIFOLD	
5	HC-101264	1	LOAD SENSE SHUTTLE ASM	
..	HC-101021	1	CARTRIDGE, LOAD SENSE VALVE	
..	HC-101022	1	BODY, LOAD SENSE VALVE	
NS	HC-102082	1	SEAL KIT, LOAD SENSE SHUTTLE ASM	
6	HC-140411	1	VALVE, DIRECTIONAL CONTROL, PROPORTIONAL	
NS	HC-142731	1	SEAL KIT, DIRECTIONAL CONTROL VALVE	
NS	HC-140291	2	PLUG, DIN	
NS	HC-142971	2	GASKET, DIN CONNECTOR	
LEVELING MANIFOLD FASTENERS				
REF.	PART NO.	QTY.	PART NAME	WHERE USED
A	F-HCF-10M020E	2	FLHC-10.9 M10 X 1.50 X 20	FILTER HOUSING TO MOUNTING BRACKET
B	F-HCF-08M035E	4	FLHC-10.9 M8 X 1.25 X 35	MOUNTING BRACKET TO CHASSIS
B	F-HNF-8ME	4	FLHN-10.9 M8X1.25	MOUNTING BRACKET TO CHASSIS
C	F-SHC-#10C52	4	SHCS 10-24 X 3-1/4	LEVELING STATION OF MANIFOLD
C	F-LW-#10	4	LW #10	LEVELING STATION OF MANIFOLD
D	F-HCF-05C08	8	FLHC 5/16-18 X1/2	MANIFOLD TO MANIFOLD MOUNT

Model 2955S Hillco Leveling System
For Serial Numbers 2955S-1301 thru 2955S-1399
HYDRAULIC TRIM MANIFOLD



Model 2955S Hillco Leveling System
For Serial Numbers 2955S-1301 thru 2955S-1399

TRIM MANIFOLD COMPONENTS				
REF.	PART NO.	QTY.	PART NAME	NOTES
ASM	LA-263722	1	MANIFOLD ASM, TRIM	
1	LA-263521	1	HM ASM, MOUNT (TRIM MANIFOLD)	
2	HC-145441	1	MANIFOLD, CUSTOM TRIM	TRIM MANIFOLD
3	HC-143011	1	VALVE, DIRECTIONAL CONTROL, BANG/BANG	TRIM MANIFOLD
4	HC-145431	2	RELIEF, POPPET DIRECT ACTING	TRIM MANIFOLD
5	HC-145501	1	VALVE, NEEDLE	TRIM MANIFOLD
6	HC-145511	2	PILOT OPERATED CHECK	TRIM MANIFOLD
7	HC-143991	2	HYDRAULIC QUICK-CONNECT COUPLER AH125760	TRIM MANIFOLD
TRIM MANIFOLD FASTENERS				
REF.	PART NO.	QTY.	PART NAME	WHERE USED
A	F-HCF-10M030E	2	FLHC 10.9 M10 X 1.50 X 30 PLT	TRIM MANIFOLD MOUNT
A	F-HNF-10ME	2	FLHN-10.9 M10 X 1.50 PLT	TRIM MANIFOLD MOUNT
B	F-SHC-#10C32	4	SHCS 10-24 X 2	VALVE TO MANIFOLD
B	F-LW-#10	4	LW #10	VALVE TO MANIFOLD
C	F-HC5-05C08	4	HC5 5/16-18 X 1/2 FLANGE	MANIFOLD TO MOUNT BRACKET
D	F-PHM-#6C08	4	PHMS 6-32 X 1/2	RECEPTACLE PLUG MOUNTING
D	F-HNF-#6C	4	FLHN 6-32 SERR.	RECEPTACLE PLUG MOUNTING

Model 2955S Hillco Leveling System
For Serial Numbers 2955S-1301 thru 2955S-1399

HYDRAULIC HOSES

REF.	PART NO.	QTY.	PART NAME	WHERE USED
LEVELING HOSES				
NS	LA-141081	2	3/8" 100R2 31" #6 FORS X #6 FORS	LEFT OR RIGHT POCV#2 TO RIGHT/LEFT ROD FRONT
NS	LA-141093	2	1/4" 100R2 5-7/8" #6 FORS X #6 FORS 90°	LEFT POCV #3 TO LEFT ROD FRONT
NS	LA-256541	1	1/2" 100R2 252" #8 FORS X #6 FORS	"A" PORT TO ROD END
NS	LA-256551	1	1/2" 100R2 252" #8 FORS X #6 FORS 90°	"B" PORT TO MAIN LEV BASE
	LA-263542	1	1/2" 100R2 252" #8 FORS 90° X #6 FORS	LEVELING VALVE PORT "A" TO LEFT MAIN LEV ROD
	LA-263551	1	1/2" 100R2 252" #8 FORS X #6 FORS 90°	LEVELING VALVE PORT "B" TO LEFT MAIN LEV CYL POCV #2
PUMP & MANIFOLD HOSES				
NS	LA-256531	1	3/4 100R12 46" #10 FORS 90° X #12 FORS	PUMP TO "P" PORT
NS	LA-143681	1	1" 100R16 (1M2T) 42" #16 FORS X #16 FORS	SUCTION HOSE
NS	LA-256562	1	3/4" 100R1 30" #12 FORS X #12 FORS 45°	"T" PORT TO FILTER INLET
HYDROSTAT HOSES				
NS	LA-141502	2	1 100R15 73-1/2" CODE 62 SPLT FLNG 90° SHORT DROP X CODE 62 SPLT FLNG STR	HYDROSTAT FRONT & REAR HOSES
NS	LA-143551	1	3/4 100R1 HOSE 70" #12 MORS X #12 FORS	HYDRO MOTOR CASE DRAIN
NS	HC-101843	2	CODE 62 SLT FLNG CONNECTOR KIT WITH O-RINGS	
GREASE HOSES				
NS	LA-141131	1	3/16 R1 GREASE HOSE 53" 1/8 MPT X 1/8 MPT	RH MAIN BASE EO BH#2
NS	LA-141141	1	3/16 R1 GREASE HOSE 50-1/2" 1/8 MPT X 1/8 MPT	MAIN PVT TO BH #1
NS	LA-141151	1	3/16 R1 GREASE HOSE 72" 1/8 MPT X 1/8 MPT	LH MAIN BASE TO BH #3
BRAKE HOSES				
NS	LA-130371	2	#4 TITE FLEX 31" #4 FORS X #4 MORS	
NS	HA-133131	2	TEFLON O-RING	
HEADER LIFT CYLINDER HOSES				
NS	LA-143801	1	1/2" 100R2 HOSE 38" #8 FORS X #8 FORS	HEADER LIFT CYLINDERS
TRIM HOSES				
NS	LA-141102	1	1/4" 100R2 94" #4 FORS X #4 FORS	MASTER BASE TO TEE THAT CONNECTS TO HOSE LA-139132
NS	LA-141102	1	1/4" 100R2 94" #4 FORS X #4 FORS	MASTER ROD TO TEE THAT CONNECTS TO HOSE LA-139122
NS	LA-139113	1	1/4" 100R2 54" #4 FORS X #4 FORS	TRIM PORT "A" TO TEE CONNECTED TO HOSE LA-143481
NS	LA-139113	1	1/4" 100R2 54" #4 FORS X #4 FORS	TRIM PORT "B" TO TEE CONNECTED TO HOSE LA-143471
NS	LA-139133	2	1/4" 100R2 235" #4 FORS X #4 FORS	SLAVE BASE TO TEE CONNECTED TO HOSE LA-143471
NS	LA-263411	2	1/4" 100R2 55" #4 FORS X #4 FORS 90°	HK TO "P" & "T" PORTS TRIM MANIFOLD
FOR 9560 STS COMBINES WITH SERIAL NUMBERS (-715300)				
NS	LA-143831	1	1/2" 100R2 HOSE 25" #8 FORS X #10 FORS 90°	PRIORITY VALVE #3 TO Z STACK VALVE

Model 2955S Hillco Leveling System
For Serial Numbers 2955S-1301 thru 2955S-1399

HYDRAULIC ADAPTERS

REF.	PART NO.	QTY.	PART NAME	WHERE USED
MAIN CYLINDER ADAPTERS				
NS	HA-L-6FF6MF	3	#6 FORS X #6 MORS 90°	LEFT AND RIGHT LEV CYL ROD
NS	HA-K-6MF6MO	2	#6 MORB X #6 MORS BRANCH TEE	LEFT AND RIGHT LEV CYL ROD
NS	HA-M-6FF6MF	2	#6 FORS X #6 MORS SWIVEL NUT RUN TEE	LEFT MAIN LEV CYL ROD/ LEFT POCV #2
NS	HA-L-6MF6MO	4	#6 MORS X #6 MORB 90°	POCV #2,#3 LEFT & RIGHT
NS	HA-L-6MO6MO	2	#6 MORB X #6 MORB 90°	POCV #1 LEFT AND RIGHT LEV CYL BASE
NS	HA-L-6FF6MF	1	#6 MORS X #6 FORS 90°	RIGHT LOWER POCV #2
MASTER AND SLAVE CYLINDER ADAPTERS				
NS	HA-L-4MF6MO	2	#4 MORS X #6 MORB 90°	MASTER CYLINDER ROD AND BASE
NS	HA-L-4MF6MO	2	#4 MORS X #6 MORB 90°	SLAVE CYLINDER ROD AND BASE
NS	HA-Y-4MF4MF	2	#4 MORS UNION TEE	WHERE SLAVE AND MASTER LINES JOIN
HEADER LIFT CYLINDER ADAPTERS				
NS	HA-Q-8FF8MF	1	#8 ORS STRAIGHT THREAD BRANCH TEE	LEFT HEADER LIFT CYLINDER
NS	HA-L-8MF8MO	1	#8 MORB X #8 MORS 90°	RIGHT HEADER LIFT CYLINDER
GREASE FITTING ADAPTERS				
NS	HA-S-2FP2MN	3	1/8" NPSM X 1/8" FPT BULKHEAD CONNECTOR	GREASE BULKHEAD MOUNT
NS	HA-NJ-2FN	3	1/8" NPSM BULKHEAD LOCKNUT	BULKHEAD CONNECTOR
NS	HC-138011	3	1/4-28 STRAIGHT ZERK	ALL GREASE LINES
NS	HA-L-2FP2MP	1	1/8 NPT 90 STREET EL	MAIN PIVOT PIN
NS	HC-135771	2	1/4-28 MALE X 1/8 FPT 90°	MASTER AND MAIN LEV CYL BASE
RESERVOIR ADAPTERS				
NS	HA-L-16MF16MO	1	#16 MORB X #16 MORS 90°	SUCTION PORT
NS	HA-M-16FF16MF	1	#16 FORS X #16 MORS SWIVEL NUT RUN TEE	SUCTION PORT
TRIM ADAPTERS				
	LA-265371	2	HA-S-4MF4MO	ADAPTER, HIC MANIFOLD, MOD
NS	HA-S-8FF4MF	2	#8 FORS X #4 MORS REDUCER	"P" & "T" PORTS OF TRIM
TRIM MANIFOLD ADAPTERS				
NS	HA-L-4MF4MO	2	#4 MORB X #4 MORS 90°	"A" AND "B" PORTS TRIM MANIFOLD
NS	HA-S-8MF8MO	2	#8 MORB X #8 MORS STRAIGHT	"P" AND "T" PORTS TRIM MANIFOLD
PUMP ADAPTERS				
NS	HA-S-16MF16MO	1	#16 MORB X #16 MORS STR	MIDDLE PUMP SUCTION PORT
NS	HA-M-10MF10MO	1		PRESSURE PORT
RETURN FILTER HOUSING ADAPTERS				
NS	HA-L-12MF16MO	1	#16 MORB X #12 MORS 90°	INLET PORT ON FILTER HOUSING
NS	HA-L-16MF16MO	1	#16 MORB X #16 MORS 90°	OUTLET PORT ON FILTER HOUSING
MANIFOLD ADAPTERS				
NS	HA-L-12MO12MO	1	#12 MORB X #12 MORB 90°	"P" PORT & #2 PORT ON PRIORITY VALVE
NS	HA-L-12MF12MO	1	#12 MORB X #12 MORS 90°	"P" PORT
NS	HA-S-8MF8MO	2	#8 MORB X #8 MORS STRAIGHT	"A" LEVELING PORT
NS	HA-L-8MF8MO	1	#8 MORB X #8 MORS 90°	"B" LEVELING PORT
FOR COMBINES WHICH FALL WITHIN THE FOLLOWING SERIAL NUMBER BREAKS: 9560 STS (715301-)				
OPTIONAL ADAPTERS				
NS	HA-E-6MF	1	#6 MORS PLUG	USED IN JD CM HOSES IF COMBINE ALREADY HAS CM
NS	HA-E-4MF	1	#4 MORS PLUG	USED IN JD CM HOSES IF COMBINE ALREADY HAS CM

7 MISCELLANEOUS

DECALS AND LITERATURE				
REF.	PART NO.	QTY.	PART NAME	NOTES
NS	LL20-100782	1	CAUTION LEVELING SYSTEM CAB	WINDOW IN CAB
NS	LL20-100783	4	DANGER, CRUSHING HAZARD	4-RIGHT & LEFT UNDERCARRIAGE - FRONT & BACK
NS	LL20-100783	2	DANGER - CRUSHING HAZARD	ABOVE THE REAR AXLE
NS	LL20-100784	2	DANGER, PINCH POINT	RIGHT & LEFT UPPER TRANSITION FACE PLATE
NS	LL20-100786	2	WARNING ELECTRONIC CRUSHING HAZARD	1- UNDERCARRIAGE FRONT; 1- FRONT OF CONTROL BOX
NS	LL20-100787	2	CAUTION - LEVELING SYSTEM HAZARD	ON SIDE PANEL BEHIND FRONT TIRES
NS	LL20-100788	1	DANGER - HYDRAULIC HAZARD	NEAR THE HYDRAULIC MANIFOLD
NS	LL20-100788	2	DANGER - HYDRAULIC HAZARD	1- EACH MAIN CYLINDER
NS	LL-133741	1	LABEL, GREASE 50 HRS	MASTER CYLINDER ROD
NS	LL-133741	1	LABEL, GREASE 50 HRS	OC BULKHEAD
NS	LL-133741	2	LABEL, GREASE 50 HRS	RIGHT & LEFT MAIN LEV CYL BOTTOM
NS	LL-133741	1	LABEL, GREASE 50 HRS	MASTER CYLINDER ROD
NS	LL-141301	2	DECAL, HILLCO SIDEHILL	GULL WING DOORS
NS	LL-143621	2	DANGER - AVOID CRUSHING INJURY	ON SIDE PANEL BEHIND FRONT TIRES
NS	LA-255971	1	TAG, SERIAL NUMBER	REAR OF UNDERCARRIAGE
NS	D-070328ADL01A	1	PARTS MANUAL	
NS	D-040820CLA01C	1	OPERATION MANUAL	
NS	D-252420LJH01A	1	INSTALLATION MANUAL	
HOSE CLAMPS AND FASTENERS				
REF.	PART NO.	QTY.	PART NAME	NOTES
NS	MC-137521	3	TANDEM CLAMPING HALVES BEHRINGER (PAIR)	HYDROSTAT HOSES
NS	MC-137531	3	COVER PLATE 5/16" HOLE (BEHRINGER)	HYDROSTAT HOSES
NS	F-HC-08M35F	2	HC-8.8 M8 X 1.25 X 35	BEHRINGER CLAMP FOR HYDRO HOSES
NS	F-HCF-08M0100F	2	FLHC-8.8 M8 X 1.25 X 100	BEHRINGER CLAMP FOR HYDRO HOSES
NS	F-HC-08M120F	1	HC-8.8 M8 X 1.25 X 120	BEHRINGER CLAMP FOR HYDRO HOSES
NS	F-HNF-08ME	5	FLHN- 10.9 M8 X 1.25	BEHRINGER CLAMP FOR HYDRO HOSES
NS	MC-135631	2	CLAMP, HOSE 1-1/2" R/C 3/8" HOLE	CLAMP, GREASE LINES/ TRIM HOSES
NS	HC-142061	1	SLEEVE, ABRASION, SHIFT CABLE 36"	HOSE BETWEEN HEADER LIFT CYLINDERS
NS	HC-139221	2	CLAMP, 1/4" TUBE TANDEM (PAIR)	BRAKE LINES
NS	HC-139231	4	CLAMP, COVER PLATE FOR 1/4" TUBE CLAMP	BRAKE LINES
NS	F-HCF-8M050E	2	FLHC-10.9 M8 X 1.25 X 50	BRAKELINE TANDEM CLAMP
NS	F-HNF-08ME	2	FLHN-10.9 M8 X 1.25	BRAKELINE TANDEM CLAMP
NS	HC-133541	1	ABRASION SLEEVE, NYLON -- 2.19" ID X 32"	LEVELING AND TRIM HOSES FROM OC
NS	HC-143601	2	CLAMP, HOSE 1-1/8" R/C 3/8" HOLE	CLAMP TRIM HOSES UNDER FEEDER HOUSE
NS	HC-146651	1	DOUBLE CLOSED LOOP CLAMP (JD #4190266)	CLAMP TRIM HOSES UNDER FEEDER HOUSE
NS	HC-143601	2	CLAMP, HOSE 1-1/8" R/C 3/8" HOLE	CASE DRAIN HOSE
NS	MC-101343	2	CLAMP, HOSE 2-7/16" R/C 3/8" HOLE	PRESSURE AND RETURN HOSES ABOVE HYDRO HOSES
NS	F-HCF-8M020E	2	FLHC-10.9 M8 X 1.25 X 20	HOSE CLAMPS FROM MANIFOLD TO OC
NS	F-HNF-8ME	2	FLHN-10.9 M8 X 1.25	HOSE CLAMPS FROM MANIFOLD TO OC
NS	HC-135791	4	CLAMP, HOSE 7/8" R/C 3/8" HOLE	SHIFTING CABLE & HDR LIFT CYL HOSE
NS	HC-143581	1	ABRASION SLEEVE, NYLON -- 1.22" ID X 24"	MSTR CYL HOSES ON OC RIGHT SIDE
NS	HC-143581	1	ABRASION SLEEVE, NYLON 1.22" ID X 24"	SLAVE CYLINDER HOSES THRU FEEDER PIVOT AREA
NS	HC-143701	2	ABRASION SLEEVE, NYLON 1.22" ID X 36"	ON TRIM HOSES NEAR SLAVE CYLINDER
NS	EC-142101	1	CLAMP, HOSE 3/8" R/C W/ 3/8" HOLE	ELECTRICAL CABLE SUPPORT IN CAB

8 PART NUMBER INDEX

PART NUMBER	PAGE NUMBER		PART NUMBER	PAGE NUMBER		PART NUMBER	PAGE NUMBER
D-040820CLA01C	7-1		F-HCF-8M050E	7-1		HA-L-12MF12MO	6-8
D-080911ADL01A	7-1		F-HN-#10C	5-2		HA-L-12MF16MO	6-8
D-252420LJH01A	7-1		F-HN8-07C	6-2		HA-L-12M012MO	6-8
EC-100557	5-2		F-HNF-#10C	5-2		HA-L-16MF16MO	6-8
EC-100692	5-2		F-HNF-#6C	5-2, 6-6		HA-L-2FP2MP	6-8
EC-138781	5-2		F-HNF-04C	5-2		HA-L-4MF4MO	6-8
EC-142101	5-2, 7-1		F-HNF-08ME	2-4, 3-4, 3-6, 7-1		HA-L-4MF6MO	6-8
EC-142121	5-2		F-HNF-10ME	3-4, 3-6, 6-6		HA-L-6FF6MF	6-8
EC-146481	5-2		F-HNF-16ME	2-4, 3-4		HA-L-6MF6MO	6-8
F-CB-10M050F	2-4		F-HNF-8ME	3-4, 6-4, 7-1		HA-L-6M06MO	6-8
F-CB-16M050E	2-4		F-HNJ-10MF	3-6		HA-L-8MF8MO	6-8
F-FHS-8M030E	2-4		F-HNN-06MF	3-4		HA-M-10MF10MO	6-8
F-FWF-06020	3-4		F-HNN-10MF	2-4		HA-M-16FF16MF	6-8
F-FWH-10	3-4		F-HNN-8MF	3-2		HA-M-6FF6MF	6-8
F-HC-06M035E	3-4		F-HNS-12C	3-4		HA-NJ-2FN	6-8
F-HC-08M120F	7-1		F-HNS-12ME	2-4, 3-4		HA-Q-8FF8MF	6-8
F-HC-08M35F	7-1		F-HNS-16ME	2-4		HA-S-16MF16MO	6-8
F-HC-10M070E	2-4		F-HNS-8ME	2-4		HA-S-2FP2MN	6-8
F-HC-16M050E	2-4		F-HNSF-16ME	4-2		HA-S-8FF4MF	6-8
F-HC-16M110E	3-4		F-LW-#10	6-4, 6-6		HA-S-8MF8MO	6-8
F-HC-16M120E	2-4, 3-4		F-LW-04	5-2		HA-Y-4MF4MF	6-8
F-HC-16M250E	4-2		F-LWH-07	6-2		HC-101021	6-4
F-HC5-04C12	5-2		F-LWHC-07	6-2		HC-101022	6-4
F-HC5-05C08	6-6		F-MB-14NR40	2-4		HC-101264	6-4
F-HC8-07C24	6-2		F-MB-18WR12	3-6		HC-101843	6-2, 6-7
F-HC8-07C44	6-2		F-PCT-02X16	2-4		HC-102082	6-4
F-HC8-07C52	6-2		F-PHM-#10C08	5-2		HC-133541	7-1
F-HC8-12C240	3-4		F-PHM-#10C16	5-2		HC-134201	6-2
F-HC-8M020E	2-4		F-PHM-#10C16	5-2		HC-134911	6-2
F-HCF-05C08	6-4		F-PHM-#10C28	5-2		HC-135771	6-8
F-HCF-06M016E	5-2		F-PHM-#6C06	5-2		HC-135791	7-1
F-HCF-08M0100F	7-1		F-PHM-#6C08	5-2, 6-6		HC-137891	6-2
F-HCF-08M035E	6-4		F-PHM-04C24	5-2		HC-137901	6-2
F-HCF-08M070E	3-6		F-PHM-04C36	5-2		HC-138011	6-8
F-HCF-10M020E	6-4		F-PSL-04X48	3-4		HC-138581	2-2, 6-2
F-HCF-10M030E	6-6		F-SHC-#10C32	6-6		HC-138861	6-4
F-HCF-10M040E	3-4, 3-6		F-SHC-#10C52	6-4		HC-138901	3-2, 6-2
F-HCF-12M040E	2-4		F-SHC-07C20	6-2		HC-139161	6-2
F-HCF-12M040F	3-4		F-SHC-24M080E	3-4		HC-139171	6-2
F-HCF-12M045E	3-4		F-SSS-04F04	6-2		HC-139221	7-1
F-HCF-16M040E	2-4		F-UDS-#7X06	3-4		HC-139231	7-1
F-HCF-16M060E	4-2		HA-133131	6-7		HC-140291	6-4
F-HCF-16M070E	4-2		HA-E-4MF	6-8		HC-140312	3-2, 6-2
F-HCF-8M020E	2-4, 3-4, 3-6, 7-1		HA-E-6MF	6-8		HC-140341	3-2, 6-2
F-HCF-8M030E	3-4		HA-K-6MF6MO	6-8		HC-140361	6-2

Model 2955S Hillco Leveling System
For Serial Numbers 2955S-1301 thru 2955S-1399
PART NUMBER INDEX (CONTINUED)

PART NUMBER	PAGE NUMBER		PART NUMBER	PAGE NUMBER		PART NUMBER	PAGE NUMBER
HC-140411	6-4		LA-256551	6-7		LM-255331	5-2
HC-141281	6-2		LA-256562	6-7		LM-260301	5-2
HC-142061	7-1		LA-260092	5-2		LM-260591	3-2
HC-142451	6-2		LA-260222	5-4		LM-260821	2-2
HC-142731	6-4		LA-260242	5-4		LM-261081	6-2
HC-142971	6-4		LA-260771	2-2		LM-261091	3-2
HC-143011	6-6		LA-260851	2-2		LM-261102	3-2
HC-143101	6-2		LA-260861	2-2		LM-261601	3-6
HC-143361	6-2		LA-260891	2-2		LM-261611	3-6
HC-143371	6-2		LA-261021	2-2		LM-265501X	5-2
HC-143441	6-4		LA-261191	5-2		LM-265511X	5-2
HC-143581	7-1		LA-261621	3-6		LP-230241	3-2
HC-143601	7-1		LA-261631	3-6		LP-234653	5-2
HC-143701	7-1		LA-263411	6-7		LP-235092	4-2
HC-143991	6-6		LA-263521	6-6		LP-247961	3-2
HC-145431	6-6		LA-263542	6-7		LP-250534	2-2
HC-145441	6-6		LA-263551	6-7		LP-250551	2-2
HC-145501	6-6		LA-263601	5-4		LP-253452	2-2
HC-145511	6-6		LA-263611	5-4		LP-254431	3-2
HC-146651	7-1		LA-263621	5-4		LP-260791	2-2
LA-130371	6-7		LA-263651	6-2		LP-260901	2-2
LA-139113	6-7		LA-263671	5-4		LP-260911	2-2
LA-139133	6-7		LA-263681	5-4		LP-261121	3-2
LA-141081	6-7		LA-263722	6-6		LP-261351	2-2
LA-141093	6-7		LA-264501	3-2		LP-261431	3-2
LA-141102	6-7		LA-264521	3-2		LP-261531	3-2
LA-141131	6-7		LA-265371	6-8		LP-261651	3-6
LA-141141	6-7		LA-265581	5-4		LP-263312	6-4
LA-141151	6-7		LA-265602	2-2		LP-263321	6-4
LA-141502	6-7		LA-265771	5-4		LTP-241721	2-2
LA-143551	6-7		LA-265801	5-2		MC-101343	7-1
LA-143681	6-7		LA-265831	5-2, 5-4		MC-135531	2-2
LA-143801	6-7		LA-266341	3-2		MC-135631	7-1
LA-143831	6-7		LA-267621	5-4		MC-137521	7-1
LA-230552	3-2		LA-270061	5-2		MC-137531	7-1
LA-247482	3-2		LL-133741	7-1		MC-138641	3-2
LA-250713	2-2		LL-141301	7-1		MC-138651	3-2
LA-252462	5-4		LL-143621	7-1		MC-140261	2-2
LA-253082	3-2		LL20-100782	7-1		MC-141551	3-2
LA-253131	3-2		LL20-100783	7-1		MC-142261	2-2
LA-253163	2-2		LL20-100784	7-1		MC-142921	3-2
LA-253223	2-2		LL20-100786	7-1		MC-143451	2-2
LA-253443	3-2		LL20-100787	7-1		MC-143591	2-2
LA-253883	2-2, 3-2		LL20-100788	7-1		MC-143641	2-4
LA-254013	4-2		LM-226841	2-2		MC-143711	3-4
LA-255631	5-4		LM-229192	2-2		MC-143721	3-4
LA-255643	5-4		LM-248781	3-2		MC-143751	3-6
LA-255821	5-4		LM-250541	2-2		MC-143761	3-6
LA-255971	3-2, 7-1		LM-250561	2-2		MC-143771	3-6
LA-256531	6-7		LM-250571	2-2		MC-143781	3-6
LA-256541	6-7		LM-250581	2-2		MC-146551	2-2